

GARDENA® Robotic Lawn Mower R40Li

2012

Spare parts

Ersatzteile

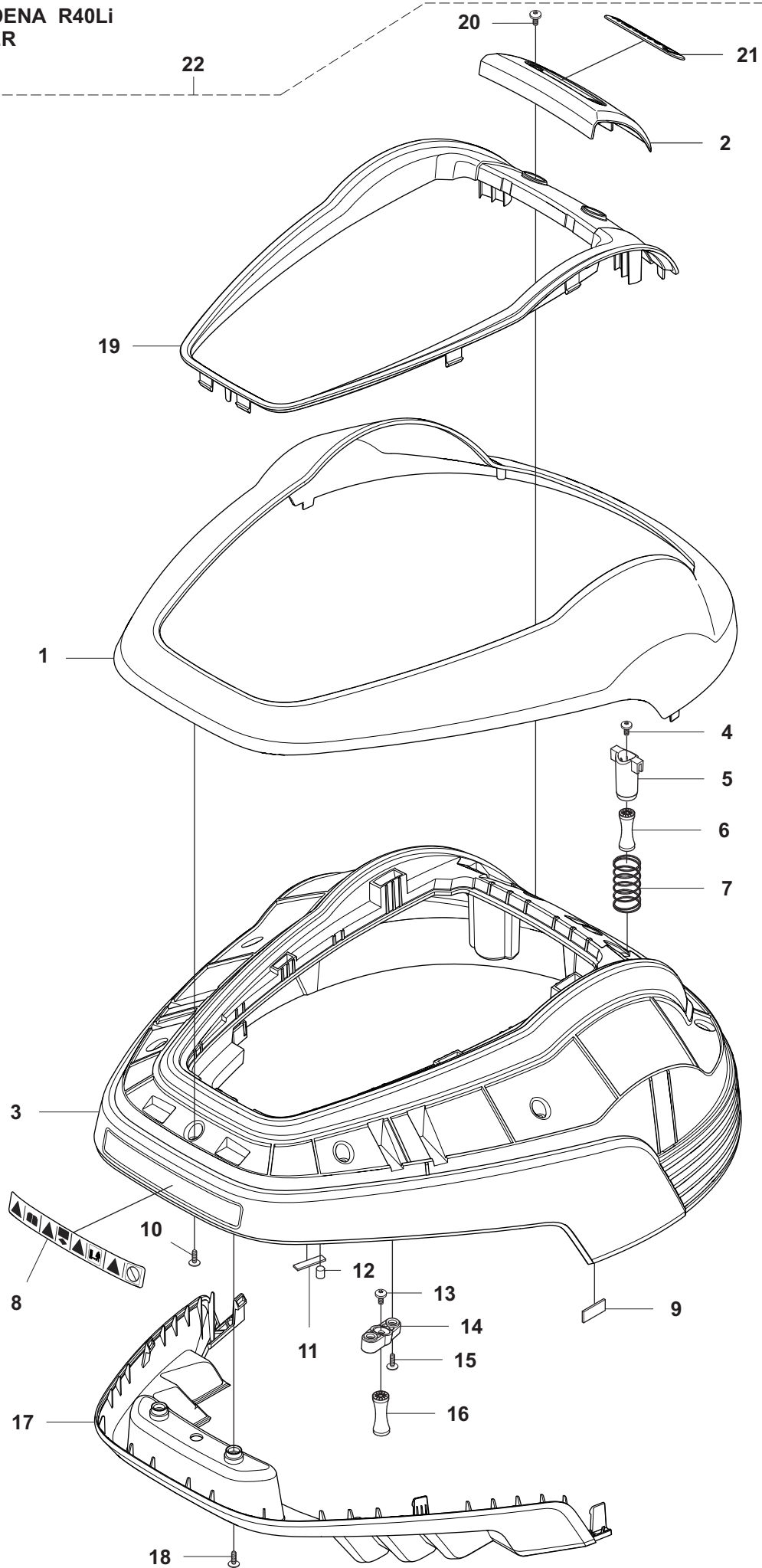
Pièces détachées

Reserve onderdelen

Repuestos

Reservdelar

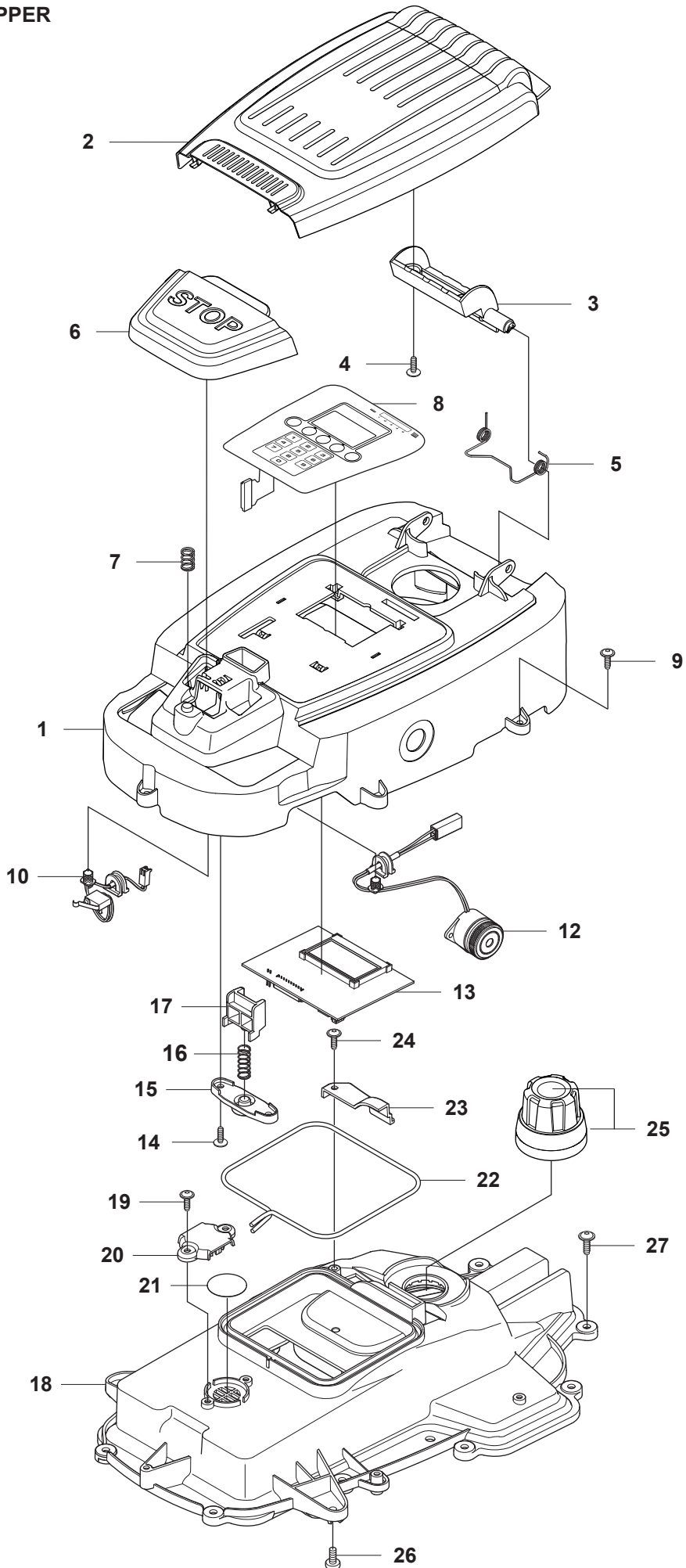
A GARDENA R40Li
COVER



PAGE A GARDENA R40Li COVER

| Position | Article | Quantity | Notes | Kit |
|-----------------|----------------|-----------------|---------------------------------------|------------|
| 1 | 577 70 73-01 | 1 | Cover | |
| 2 | 579 39 21-01 | 1 | Logo, plate kit incl. sticker & decal | |
| 3 | 579 39 17-01 | 1 | Main body | |
| 4 | 576 21 39-01 | 2 | Screw M5x12 | |
| 5 | 574 46 90-02 | 2 | Bracket, lift sensor | |
| 6 | 574 46 91-02 | 2 | Rubber damper | |
| 7 | 574 48 51-02 | 2 | Spring, lift sensor | |
| 8 | 577 88 06-01 | 1 | Warning label | 3 |
| 9 | 576 18 32-01 | 1 | Magnet, lift sensor | 3 |
| 10 | 575 54 33-14 | 7 | Screw, grey (14mm) | |
| 11 | 576 03 01-01 | 1 | Plate, collision sensor | 3 |
| 12 | 576 18 33-01 | 1 | Magnet, collision sensor | 3 |
| 13 | 576 21 39-01 | 2 | Screw M5x12 | |
| 14 | 575 41 60-02 | 2 | Support clamp | |
| 15 | 575 54 33-14 | 4 | Screw, grey (14mm) | |
| 16 | 574 46 91-02 | 2 | Rubber damper | |
| 17 | 577 70 65-01 | 1 | Bumper, rear | |
| 18 | 575 54 33-14 | 2 | Screw, grey (14mm) | |
| 19 | 577 70 76-01 | 1 | Frame | |
| 20 | 575 54 33-14 | 2 | Screw, grey (14mm) | |
| 21 | 577 97 19-01 | 1 | Decal, Gardena logotype | 2 |
| 22 | 577 95 53-03 | 1 | Cover Kit, Complete | |

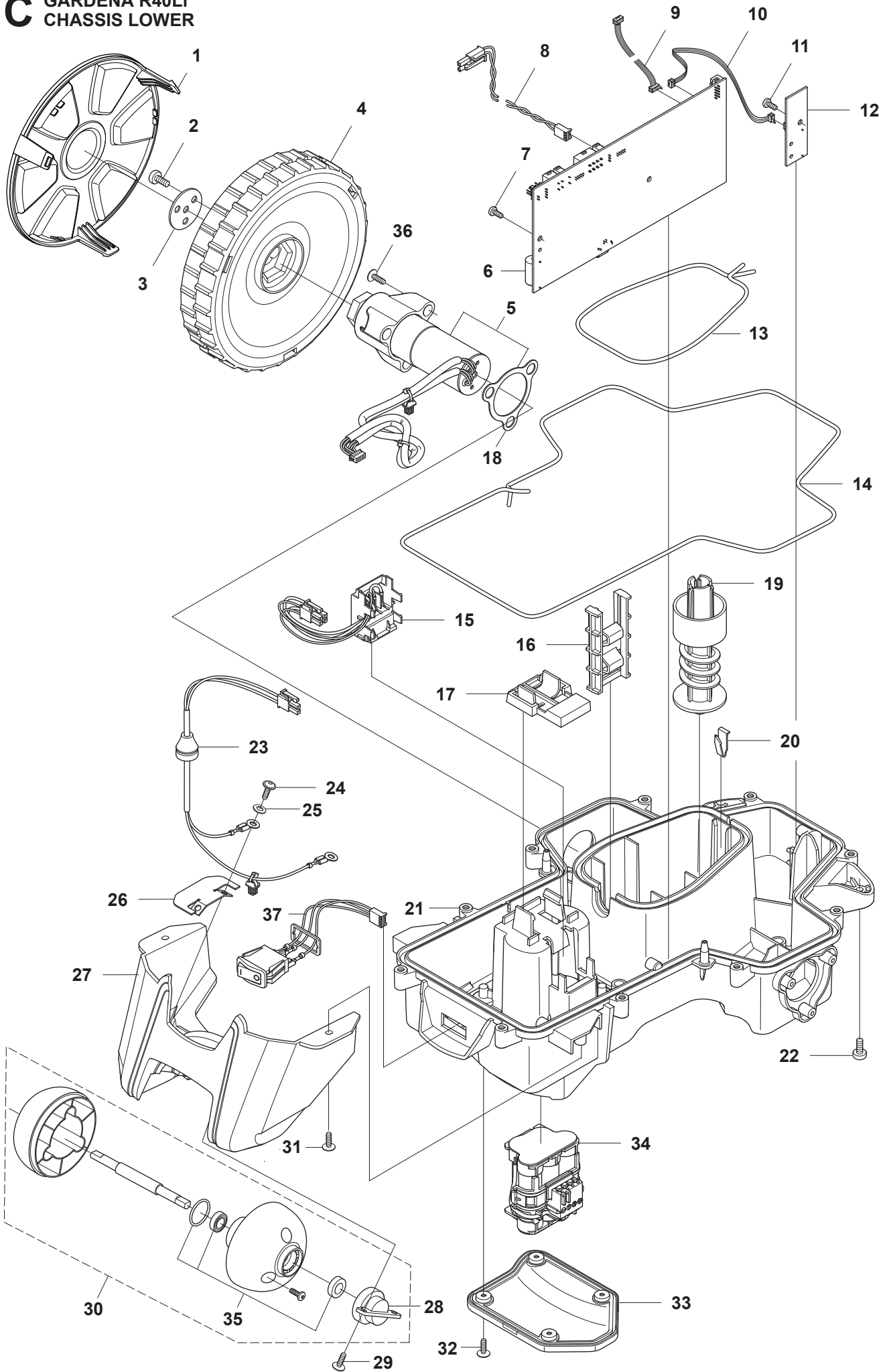
B GARDENA R40Li
CHASSIS UPPER



PAGE B GARDENA R40Li CHASSIS UPPER

| Position | Article | Quantity | Notes | Kit |
|-----------------|----------------|-----------------|--|------------|
| 1 | 579 39 19-01 | 1 | Display cover kit incl. sealing & keyboard | |
| 2 | 577 70 72 01 | 1 | Cover, height adjustment | |
| 3 | 577 70 78 01 | 1 | Hinge, height adjustment lid | |
| 4 | 575 54 33-14 | 2 | Screw, grey (14mm) | |
| 5 | 578 44 52-01 | 1 | Spring, height adjustment lid | |
| 6 | 577 70 66 01 | 1 | Stop button | |
| 7 | 574 48 70-01 | 1 | Spring, stop button | |
| 8 | 577 70 83 01 | 1 | Keyboard | 1 |
| 9 | 575 54 33-14 | 5 | Screw, grey (14mm) | |
| 10 | 574 48 03-01 | 1 | Micro switch, stop button | |
| 12 | 574 47 59-01 | 1 | Buzzer, display cover | |
| 13 | 575 64 01-01 | 1 | Display/MMI, circuit board | |
| 14 | 575 54 33-14 | 2 | Screw, grey (14mm) | |
| 15 | 575 41 58-01 | 1 | Spring holder, stop button | |
| 16 | 576 24 22-01 | 1 | Spring lock, stop button | |
| 17 | 575 40 90-01 | 1 | Lock, stop button | |
| 18 | 579 39 20-01 | 1 | Chassis upper kit incl. sealing & air filter | |
| 19 | 575 54 33-14 | 2 | Screw, grey (14mm) | |
| 20 | 576 69 70-01 | 1 | Cover, air filter | |
| 21 | 577 75 37-01 | 1 | Air filter kit (10 pcs) | |
| 22 | 577 75 36-01 | 1 | Sealing strip kit (10 pcs) | |
| 23 | 576 05 39-01 | 1 | Cover, height indicator | |
| 24 | 575 54 33-14 | 1 | Screw, grey (14mm) | |
| 25 | 579 39 22-01 | 1 | Knob, height adjustment kit incl. Knob & sticker | |
| 26 | 576 21 39-01 | 2 | Screw | |
| 27 | 574 45 01-01 | 10 | Screw | |

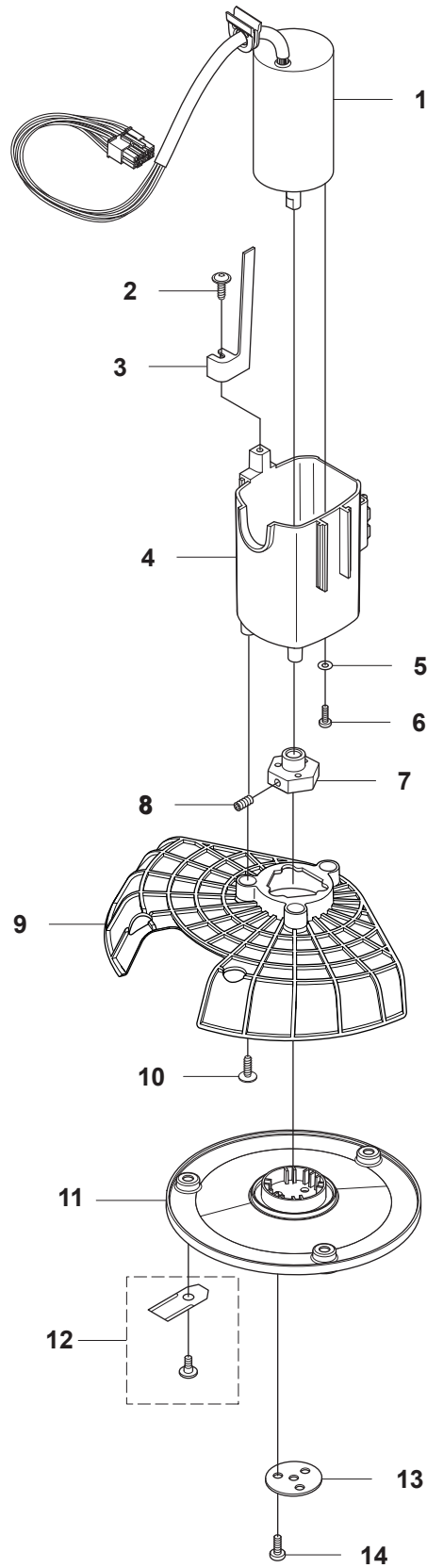
C GARDENA R40Li
CHASSIS LOWER



PAGE C GARDENA R40Li CHASSIS LOWER

| Position | Article | Quantity | Notes | Kit |
|-----------------|----------------|-----------------|---|------------|
| 1 | 577 70 79-01 | 2 | Hub cap, drive wheel | |
| 2 | 576 21 39-02 | 6 | Screw | |
| 3 | 577 09 32-01 | 2 | Washer, drive wheel | |
| 4 | 574 46 51-01 | 2 | Wheel, drive wheel | |
| 5 | 577 83 99-01 | 2 | Wheel motor kit incl. sealing | |
| 6 | 575 64 05-01 | 1 | Main circuit board (MCB) | |
| 7 | 535 13 03-10 | 2 | Screw (10mm) | |
| 8 | 576 22 02-01 | 1 | Loom, buzzer extension | |
| 9 | 574 47 92-01 | 1 | Loom, display | |
| 10 | 574 47 90-01 | 1 | Loom, loop and lift sensor | |
| 11 | 535 13 03-10 | 1 | Screw (10mm) | |
| 12 | 575 64 09-01 | 1 | PCB sensor board | |
| 13 | 577 75 36-01 | 1 | Sealing strip kit (10 pcs) | |
| 14 | 577 84 36-01 | 1 | Sealing strip kit, chassis (10 pcs) | |
| 15 | 574 47 98-01 | 1 | Loom, Li-Ion battery | |
| 16 | 574 50 19-01 | 2 | Guide rail, motor bowl | |
| 17 | 575 40 82-01 | 1 | Lock, battery plug | |
| 18 | 574 37 37-01 | 2 | Sealing/gasket, motor flange | 5 |
| 19 | 574 48 46-01 | 1 | Height adjustment screw | |
| 20 | 577 10 32-01 | 1 | Locking spring | |
| 21 | 577 84 62-01 | 1 | Chassis lower kit, incl sealing | |
| 22 | 576 21 39-01 | 2 | Screw | |
| 23 | 574 47 77-02 | 1 | Loom, charge plate | |
| 24 | 575 54 33-14 | 2 | Screw, grey (14mm) | |
| 25 | 535 08 74-01 | 2 | Washer, vulcanized fiber | |
| 26 | 574 49 00-01 | 2 | Charge plate | |
| 27 | 574 46 72-01 | 1 | Housing, rear wheel | |
| 28 | 577 71 50-01 | 2 | Bearing housing, rear wheel | 30 |
| 29 | 575 54 33-14 | 4 | Screw, grey (14mm) | |
| 30 | 578 27 51-01 | 1 | Rear wheel kit complete | |
| 31 | 575 54 33-14 | 3 | Screw, grey (14mm) | |
| 32 | 574 45 01-01 | 4 | Screw | |
| 33 | 574 46 73-01 | 1 | Cover, battery | |
| 34 | 574 47 68-01 | 1 | Battery, Lithium 18V | |
| 35 | 578 27 52-01 | 1 | Bearing (x2), sealing (x2), O-ring (x1) | 30 |
| 36 | 575 54 33-14 | 6 | Screw, grey (14mm) | |
| 37 | 574 47 94-01 | 1 | Swith ON/OFF with Seal | |

D GARDENA R40Li
BLADE MOTOR & CUTTING EQUIPMENT

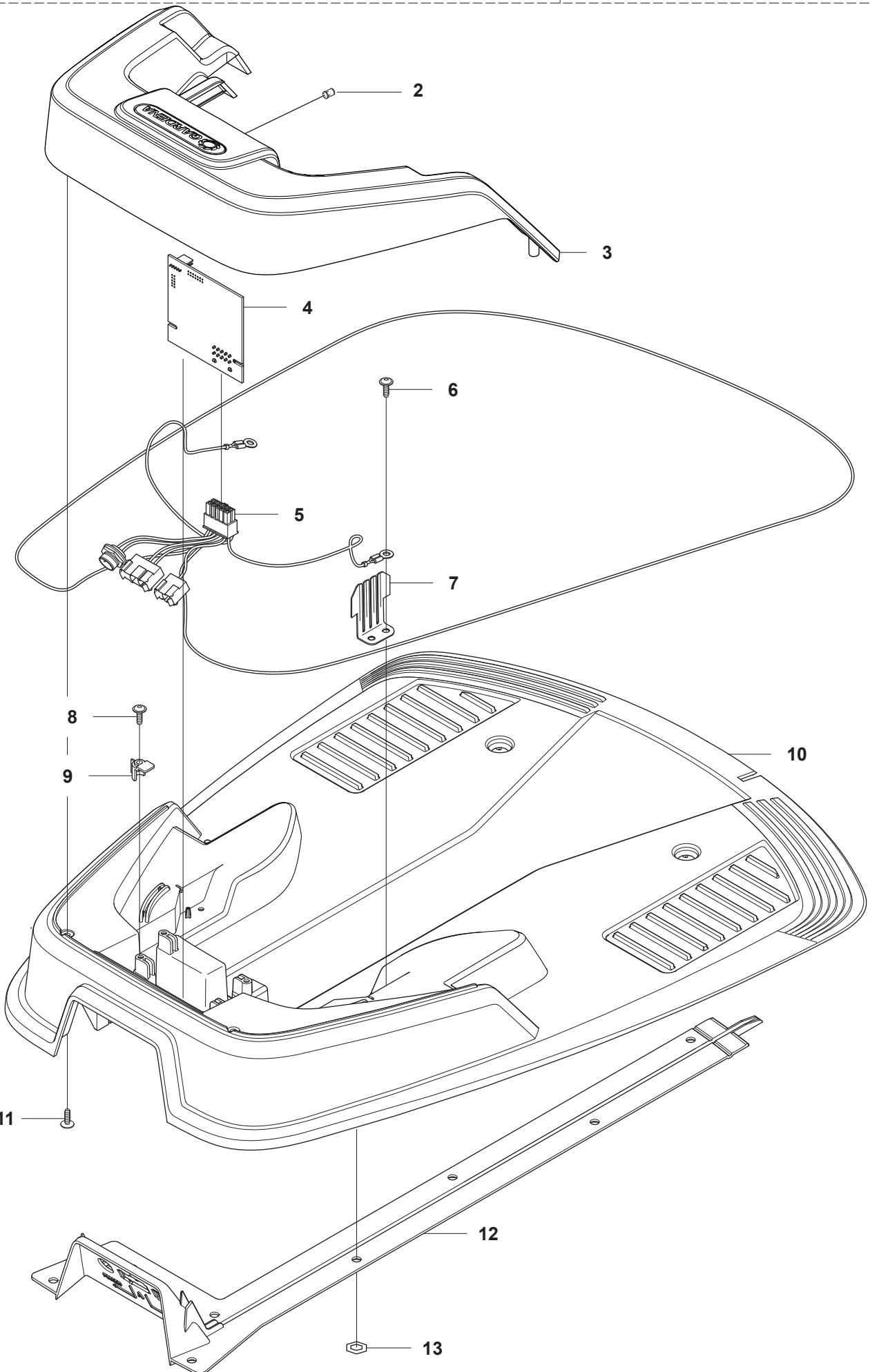


PAGE D GARDENA R40Li BLADE MOTOR & CUTTING EQUIPMENT

| Position | Article | Quantity | Notes | Kit |
|-----------------|----------------|-----------------|-------------------------------------|------------|
| 1 | 574 46 89-01 | 1 | Cutting motor | |
| 2 | 575 54 33-14 | 1 | Screw, grey (14mm) | |
| 3 | 574 50 35-01 | 1 | Height indicator | |
| 4 | 574 48 45-01 | 1 | Motor housing | |
| 5 | 510 01 95-01 | 3 | Washer, steel | |
| 6 | 510 01 87-02 | 3 | Screw M3x12 | |
| 7 | 574 37 35-01 | 1 | Hub, cutting motor | |
| 8 | 576 21 35-01 | 1 | Stop screw | |
| 9 | 577 85 02-01 | 1 | Guard, cutting disc | |
| 10 | 575 54 33-14 | 3 | Screw, grey (14mm) | |
| 11 | 574 48 71-01 | 1 | Cutting disc | |
| 12 | 966 80 95-01 | 3 | Blades (9pcs), Gardena blister pack | |
| 13 | 577 09 32-01 | 1 | Washer | |
| 14 | 576 21 38-01 | 3 | Screw | |

E GARDENA R40Li
CHARGING SYSTEM

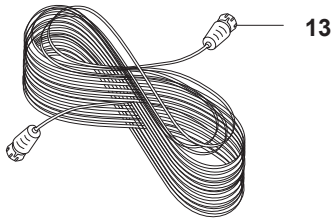
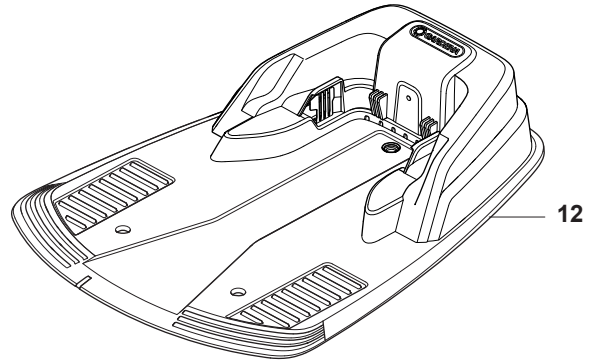
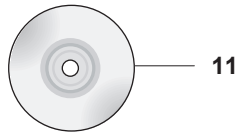
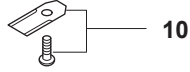
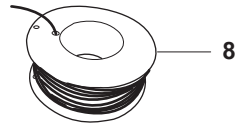
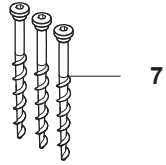
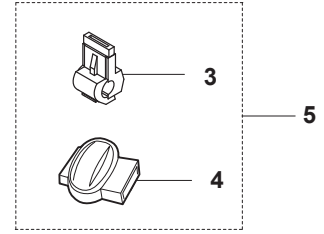
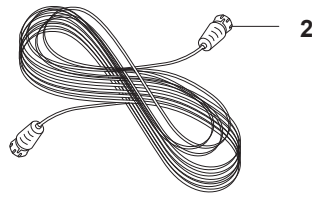
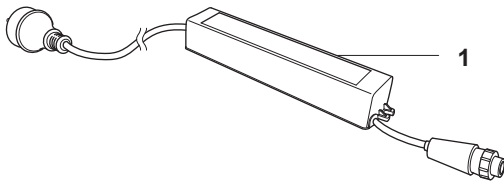
1



PAGE E GARDENA R40Li CHARGING STATION

| Position | Article | Quantity | Notes | Kit |
|-----------------|----------------|-----------------|---------------------------------|------------|
| 1 | 579 39 24-01 | 1 | Charging station, Gardena | |
| 2 | 535 12 87-02 | 1 | Diode lens | 3 |
| 3 | 579 39 23-01 | 1 | Charging station cover, Gardena | 1 |
| 4 | 576 24 26-01 | 1 | Circuit board, charging station | 1 |
| 5 | 574 47 65-01 | 1 | Loom, charging station | 1 |
| 6 | 575 54 33-14 | 2 | Screw, grey (14mm) | 1 |
| 7 | 575 85 00-01 | 2 | Contacts, charging station | 1 |
| 8 | 575 54 33-14 | 2 | Screw, grey (14mm) | 1 |
| 9 | 535 12 79-01 | 2 | Bracket | 1 |
| 10 | 575 70 83-02 | 1 | Charging station base plate | 1 |
| 11 | 575 54 33-14 | 4 | Screw, grey (14mm) | 1 |
| 12 | 575 70 85-01 | 1 | Guide cover, charging station | 1 |
| 13 | 577 51 22-01 | 19 | Nut, self-tapping | 1 |

F GARDENA R40Li
ACCESSORIES



PAGE F GARDENA R40Li ACCESSORIES

| Position | Article | Quantity | Notes | Kit |
|-----------------|-----------------|-----------------|--|------------|
| 1 | 577 97 51-01 | 1 | Transformer Gardena, EU | |
| | 577 97 51-02 | 1 | Transformer Gardena, UK | |
| | 577 97 51-05 | 1 | Transformer Gardena, AU-NZ | |
| | 577 97 51-03 | 1 | Transformer Gardena, CH | |
| 2 | 577 23 35-01 | 1 | Transformer cable (10 m) | |
| 3 | 535 12 90-01 | 1 | Loop wire connector (1pcs) | 5 |
| 4 | 501 98 02-01 | 1 | Splice kit (1pcs) | 5 |
| | 501 98 02-02 | 1 | Splice kit (50pcs) | |
| 5 | 966 80 97-01 | 1 | 2 Connectors+6 Splices, Gardena blister pack | |
| | Gardena 4089-20 | 1 | 2 Connectors+6 Splices, Gardena blister pack | |
| | 579 04 81-01 | 1 | 5 Connectors+5 Splices | |
| 6 | 966 80 98-01 | 1 | Staples (100pcs), Gardena blister pack | |
| | Gardena 4090-20 | 1 | Staples (100pcs), Gardena blister pack | |
| 7 | 575 23 86-02 | 1 | Anchor screw (3pcs) incl. Allen key | |
| 8 | 966 80 96-01 | 1 | Loop wire (150m), Gardena blister pack | |
| | Gardena 4088-20 | 1 | Loop wire (150m), Gardena blister pack | |
| | 501 98 03-01 | 1 | Loop wire (250m) | |
| 9 | 578 91 06-01 | 1 | Label, anti-theft | |
| 10 | 966 80 95-01 | 1 | Blades (9pcs), Gardena blister pack | |
| | Gardena 4087-20 | 1 | Blades (9pcs), Gardena blister pack | |
| 11 | 578 90 91-01 | 1 | Installation DVD, Gardena | |
| 12 | 579 39 24-01 | 1 | Charging station, Gardena | |
| 13 | 578 23 35-02 | 1 | Transformer cable (20 m) | |