



---

IPL, Gardena Robotic Lawn Mower, 2017-01, 590 14 64-01

**GARDENA®**

**Robotic Lawn Mower R70Li/R80Li**

**2017**

**Spare parts**

**Ersatzteile**

**Pièces détachées**

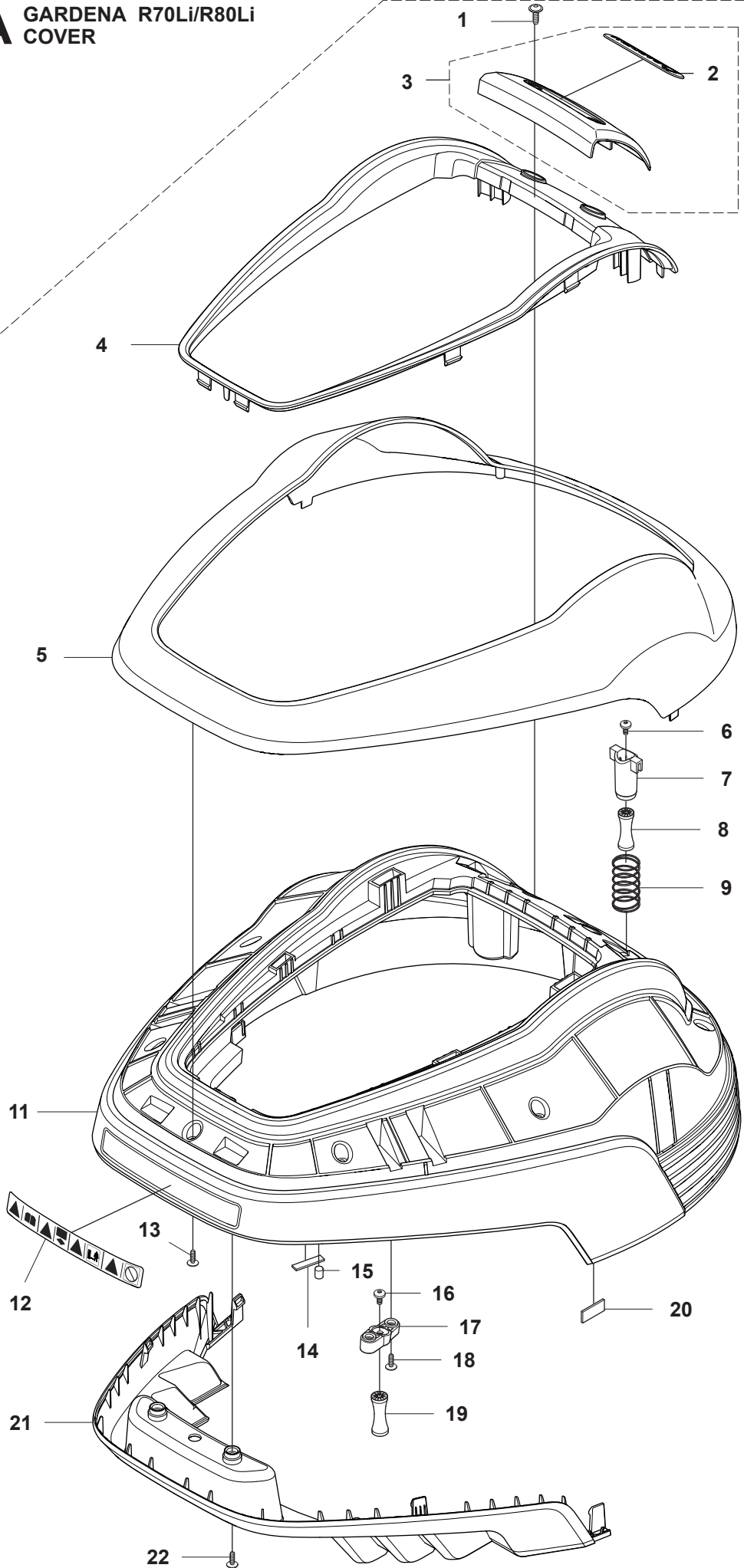
**Reserve onderdelen**

**Repuestos**

**Reservdelar**

---

# A GARDENA R70Li/R80Li COVER



10

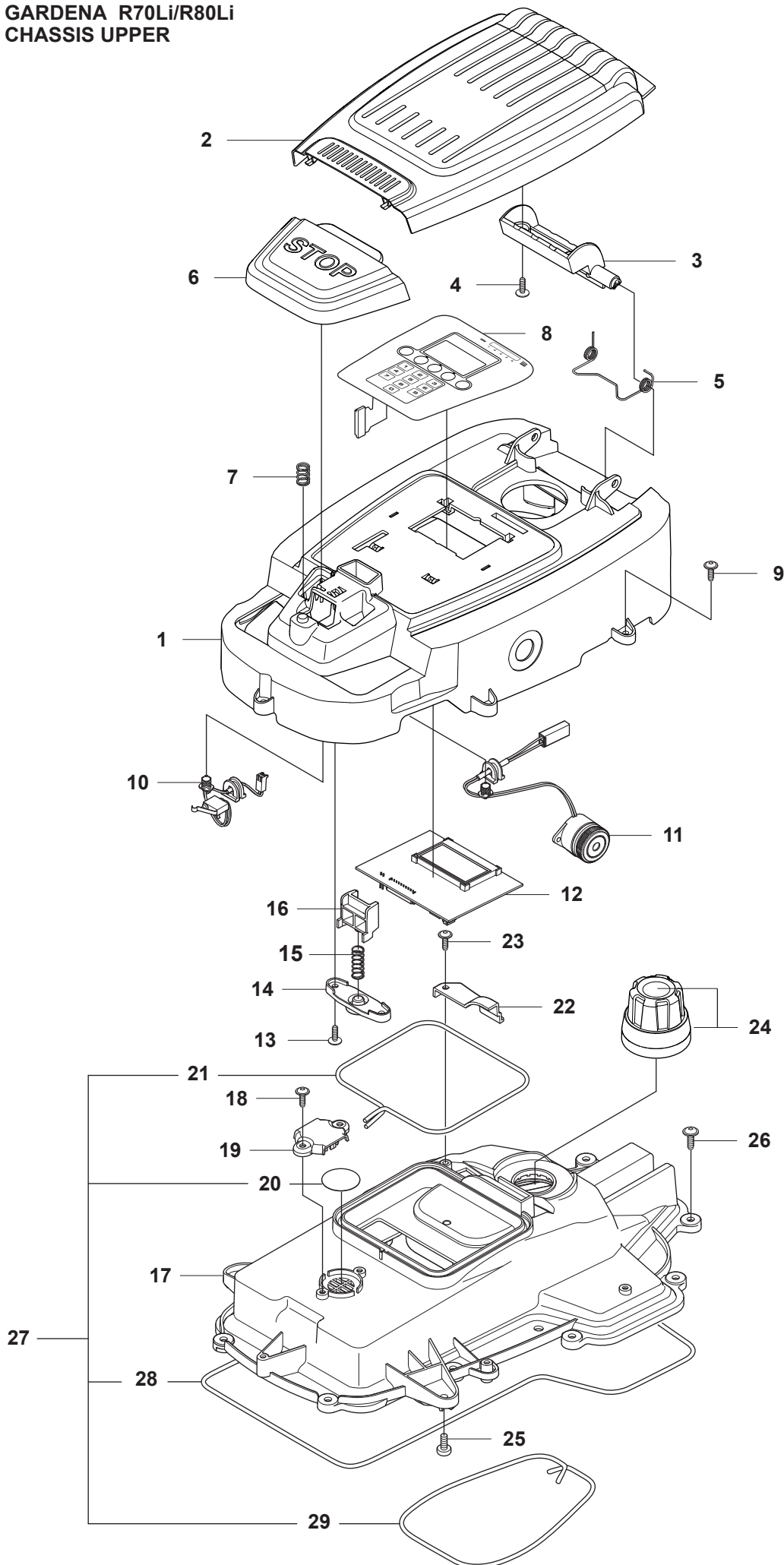


10

23

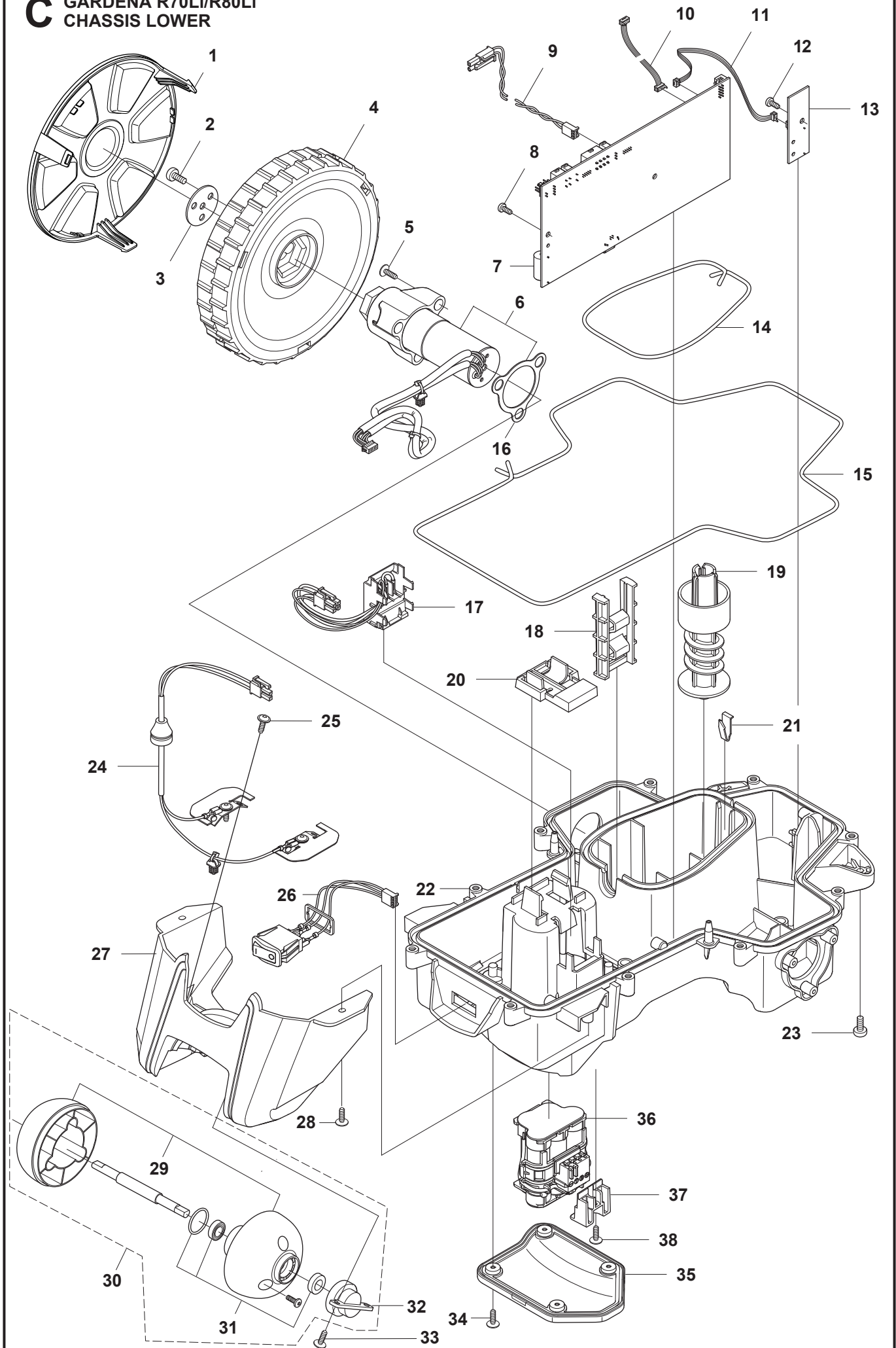
PAGE A GARDENA R70Li/R80Li COVER				
Position	Article	Quantity	Notes	Kit / Assy
1	575 54 33-14	2	Screw, Grey (14 mm)	
2	510 31 03-01	1	Decal, Gardena Logotype	3
3	579 39 21-05	1	Logo Plate KIT incl. Sticker & Decal	
4	577 70 76-03	1	Frame	
5	577 70 73-04	1	Cover	
6	576 21 39-01	2	Screw M5x12	
7	574 46 90-02	2	Bracket, Lift Sensor	
8	574 46 91-02	2	Rubber Damper	
9	574 48 51-02	2	Spring, Lift Sensor	
10	580 92 76-01	1	Decal, R70Li	
10	587 04 35-02	1	Decal, R80Li	
11	579 39 17-02	1	Main Body	
12	586 35 97-01	1	Warning Label	11
13	575 54 33-14	7	Screw, Grey (14 mm)	
14	576 03 01-01	1	Plate, Collision Sensor	11
15	576 18 33-01	1	Magnet, Collision Sensor	11
16	576 21 39-01	2	Screw M5x12	
17	575 41 60-02	2	Support Clamp	
18	575 54 33-14	4	Screw, Grey (14 mm)	
19	574 46 91-02	2	Rubber Damper	
20	576 18 32-01	1	Magnet, Lift Sensor	11
21	577 70 65-02	1	Bumper, Rear	
22	575 54 33-14	2	Screw, Grey (14 mm)	
23	577 95 53-12	1	Cover KIT, Complete excl. Model Decal	

**B** GARDENA R70Li/R80Li  
CHASSIS UPPER



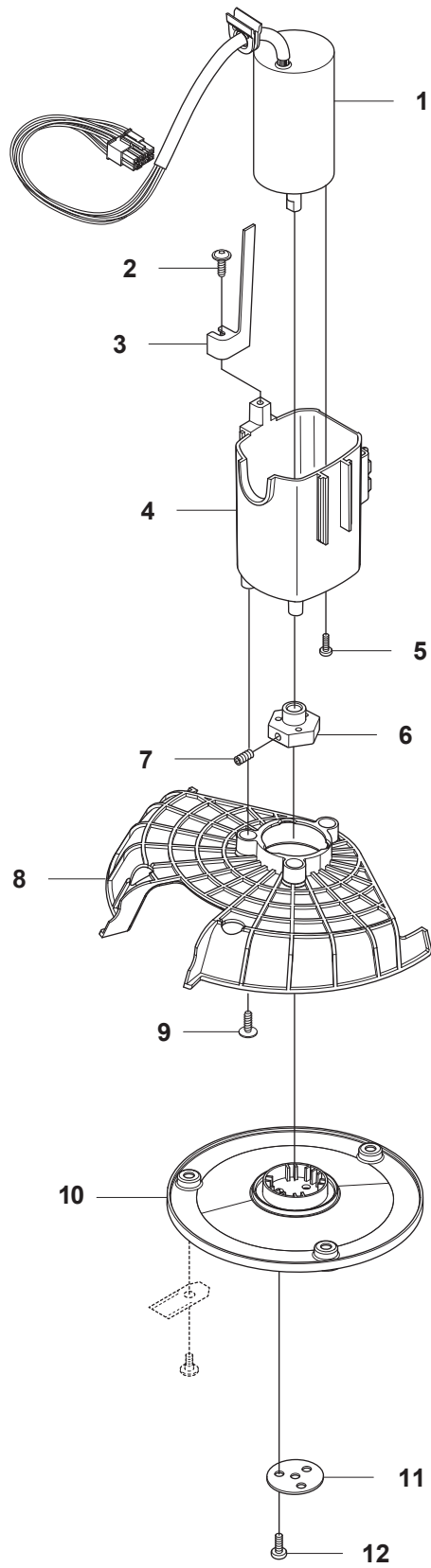
PAGE B GARDENA R70Li/R80Li CHASSIS UPPER				
Position	Article	Quantity	Notes	Kit / Assy
1	579 39 19-02	1	Display Cover KIT incl. Sealing & Keyboard	
2	577 70 72-03	1	Cover, Height Adjustment	
3	577 70 78 01	1	Hinge, Height Adjustment Lid	
4	575 54 33-14	2	Screw, Grey (14 mm)	
5	578 44 52-01	1	Spring, Height Adjustment Lid	
6	577 70 66 01	1	Stop Button	
7	574 48 70-01	1	Spring, Stop Button	
8	586 94 56-02	1	Keyboard	1
9	575 54 33-14	5	Screw, Grey (14 mm)	
10	574 48 03-01	1	Micro Switch, Stop Button	
11	574 47 59-01	1	Buzzer, Display Cover	
12	588 44 19-01	1	Display/MMI, Circuit Board	
13	575 54 33-14	2	Screw, Grey (14 mm)	
14	575 41 58-01	1	Spring Holder, Stop Button	
15	576 24 22-01	1	Spring Lock, Stop Button	
16	575 40 90-01	1	Lock, Stop Button	
17	579 39 20-02	1	Chassis Upper KIT incl. Sealing & Air Filter	
18	575 54 33-14	2	Screw, Grey (14 mm)	
19	576 69 70-01	1	Cover, Air Filter	
20	577 75 37-01	1	Air Filter KIT (10 pcs)	
21	574 87 47-04	1	Sealing Strip (1 pcs, Ø4 mm)	
22	576 05 39-01	1	Cover, Height Indicator	
23	575 54 33-14	1	Screw, Grey (14 mm)	
24	579 39 22-01	1	Knob, height adjustment KIT incl. Knob & Sticker	
25	576 21 39-01	2	Screw	
26	574 45 01-01	10	Screw	
27	588 40 70-01	1	Seal KIT incl. Sealing Strip Chassis (1 pcs), Sealing Strip Short (2 pcs), Air Filter (1 pcs)	
28	574 87 47-03	1	Sealing Strip, Chassis (1 pcs, Ø4 mm)	
29	574 87 47-04	1	Sealing Strip (1 pcs, Ø4 mm)	

**C** GARDENA R70Li/R80Li  
CHASSIS LOWER



PAGE C GARDENA R70Li/R80Li CHASSIS LOWER				
Position	Article	Quantity	Notes	Kit / Assy
1	577 70 79-01	2	Hub Cap, Drive Wheel	
2	576 21 39-02	6	Screw	
3	577 09 32-01	2	Washer, Drive Wheel	
4	574 46 51-04	2	Wheel, Drive Wheel	
5	575 54 33-14	6	Screw, Grey (14 mm)	
6	577 83 99-04	2	Wheel Motor KIT incl. Sealing	
7	588 62 88-03	1	Main Circuit Board (MCB)	
8	535 13 03-10	2	Screw (10 mm)	
9	576 22 02-01	1	Loom, Buzzer Extension	
10	588 83 27-01	1	Loom, Display	
11	588 90 12-01	1	Loom, Loop and Lift Sensor	
12	535 13 03-10	1	Screw (10 mm)	
13	588 57 21-01	1	PCB Sensor Board	
14	574 87 47-04	1	Sealing Strip (1 pcs, Ø4 mm)	
15	574 87 47-03	1	Sealing Strip, Chassis (1 pcs, Ø4 mm)	
16	574 37 37-01	2	Sealing/Gasket, Motor Flange	6
17	574 47 98-01	1	Loom, Li-Ion Battery	
18	574 50 19-01	2	Guide Rail, Motor Bowl	
19	574 48 46-01	1	Height Adjustment Screw	
20	575 40 82-01	1	Lock, Battery Plug	
21	577 10 32-01	1	Locking Spring	
22	577 84 62-03	1	Chassis Lower KIT incl. Sealing	
23	576 21 39-01	2	Screw	
24	588 95 09-01	1	Loom, Charging Plate	
25	575 52 95-02	2	Screw, Grey (14 mm)	
26	579 70 87-01	1	Swith ON/OFF with Seal	
27	574 46 72-02	1	Housing, Rear Wheel	
28	575 54 33-14	3	Screw, Grey (14 mm)	
29	583 85 39-02	1	Rear Wheel KIT	30
30	578 27 51-03	1	Rear Wheel KIT Complete	
31	578 27 52-01	1	Bearing (X2), Sealing (X2), O-Ring (X1)	30
32	577 71 50-01	2	Bearing Housing, Rear Wheel	30
33	575 54 33-14	4	Screw, Grey (14 mm)	
34	574 45 01-01	4	Screw	
35	589 58 61-01	1	Cover, Battery	
36	586 57 62-01	1	Battery, Lithium 18 v	
37	582 38 61-01	1	Bracket	
38	575 54 33-14	1	Screw, Grey (14 mm)	

**D** GARDENA R70Li/R80Li  
BLADE MOTOR & CUTTING EQUIPMENT

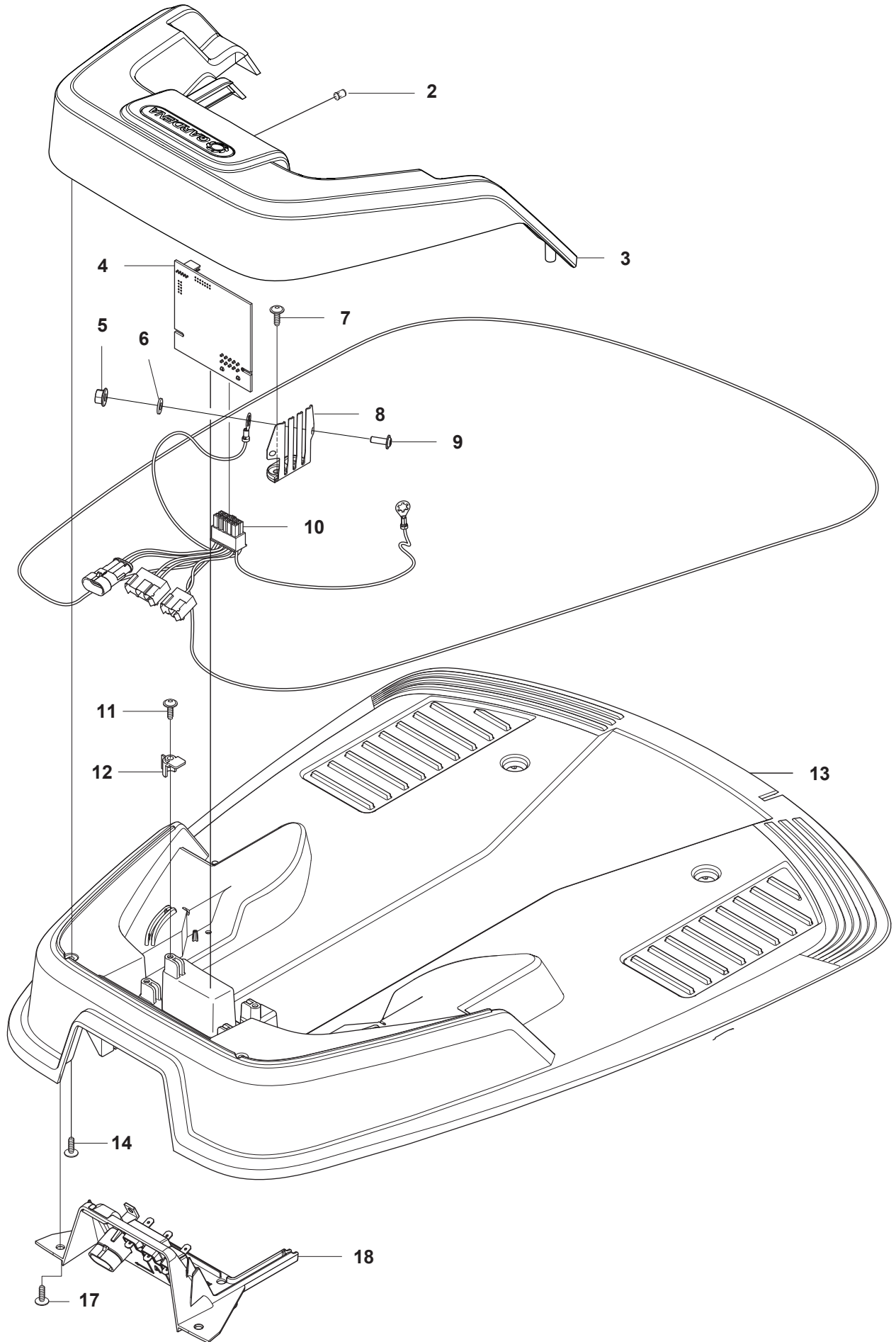




Position	Article	Quantity	Notes	Kit / Assy
1	584 98 93-02	1	Cutting Motor	
2	575 54 33-10	1	Screw, Grey (10 mm)	
3	574 50 35-01	1	Height Indicator	
4	581 02 03-01	1	Motor Housing	
5	576 21 38-01	3	Screw M4x12	
6	574 37 35-01	1	Hub, Cutting Motor	
7	576 21 35-01	1	Stop Screw	
8	579 75 83-01	1	Guard, Cutting Disc	
9	575 54 33-14	3	Screw, Grey (14 mm)	
10	574 48 71-01	1	Cutting Disc	
11	577 09 32-01	1	Washer	
12	576 21 38-01	3	Screw	

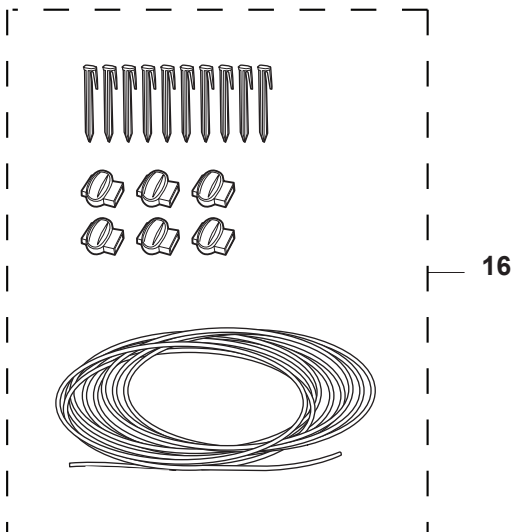
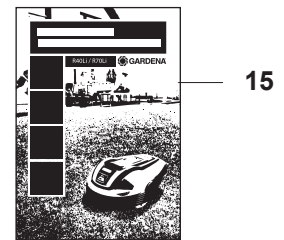
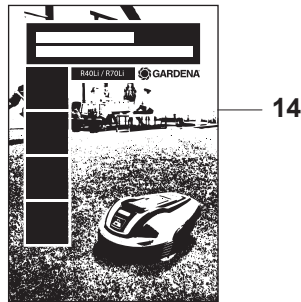
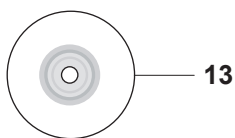
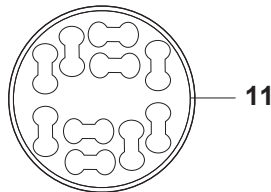
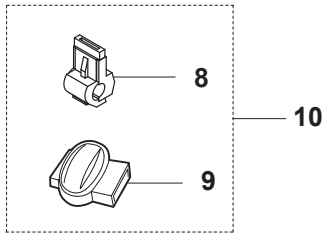
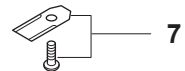
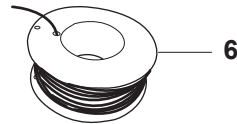
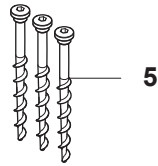
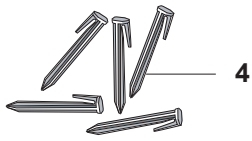
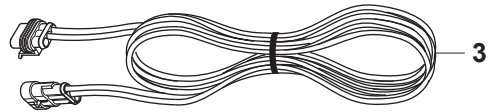
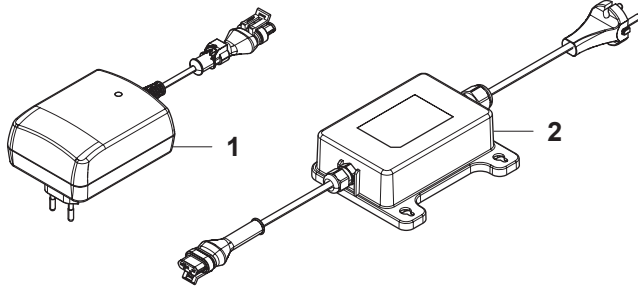
**E** GARDENA R70Li/R80Li  
CHARGING STATION

1



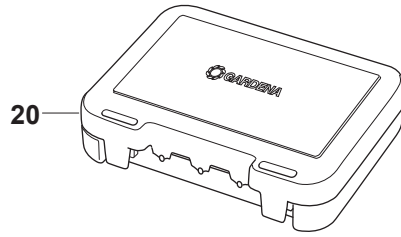
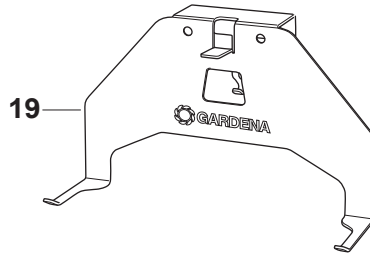
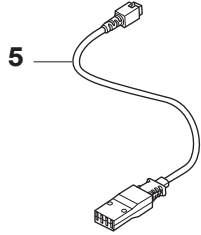
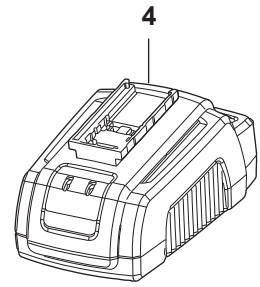
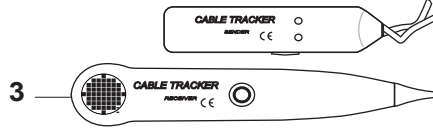
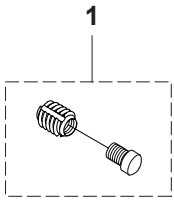
PAGE E GARDENA R70Li/R80Li CHARGING STATION				
Position	Article	Quantity	Notes	Kit / Assy
1	577 97 23-15	1	Charging Station, Gardena	
2	535 12 87-02	1	Diode Lens	1
3	584 61 83-02	1	Charging Station Cover, Gardena	1
4	582 87 62-01	1	Circuit Board, Charging Station	1
5	588 22 21-01	2	Nut Flange	1
6	535 08 74-01	2	Washer	1
7	575 54 33-14	2	Screw, Grey (14 mm)	1
8	587 12 51-01	2	Contacts, Charging Station	1
9	588 22 22-01	2	Screw	1
10	582 38 10-01	1	Loom, Charging Station	1
11	575 54 33-14	2	Screw, Grey (14 mm)	1
12	535 12 79-01	2	Bracket	1
13	581 55 19-03	1	Charging Station Base Plate	1
14	575 54 33-14	4	Screw, Grey (14 mm)	1
17	575 54 33-14	4	Screw, Grey (14 mm)	1
18	582 35 64-01	1	Guide Cover, Charging Station	1

# F GARDENA R70Li/R80Li INSTALLATION ACCESSORIES

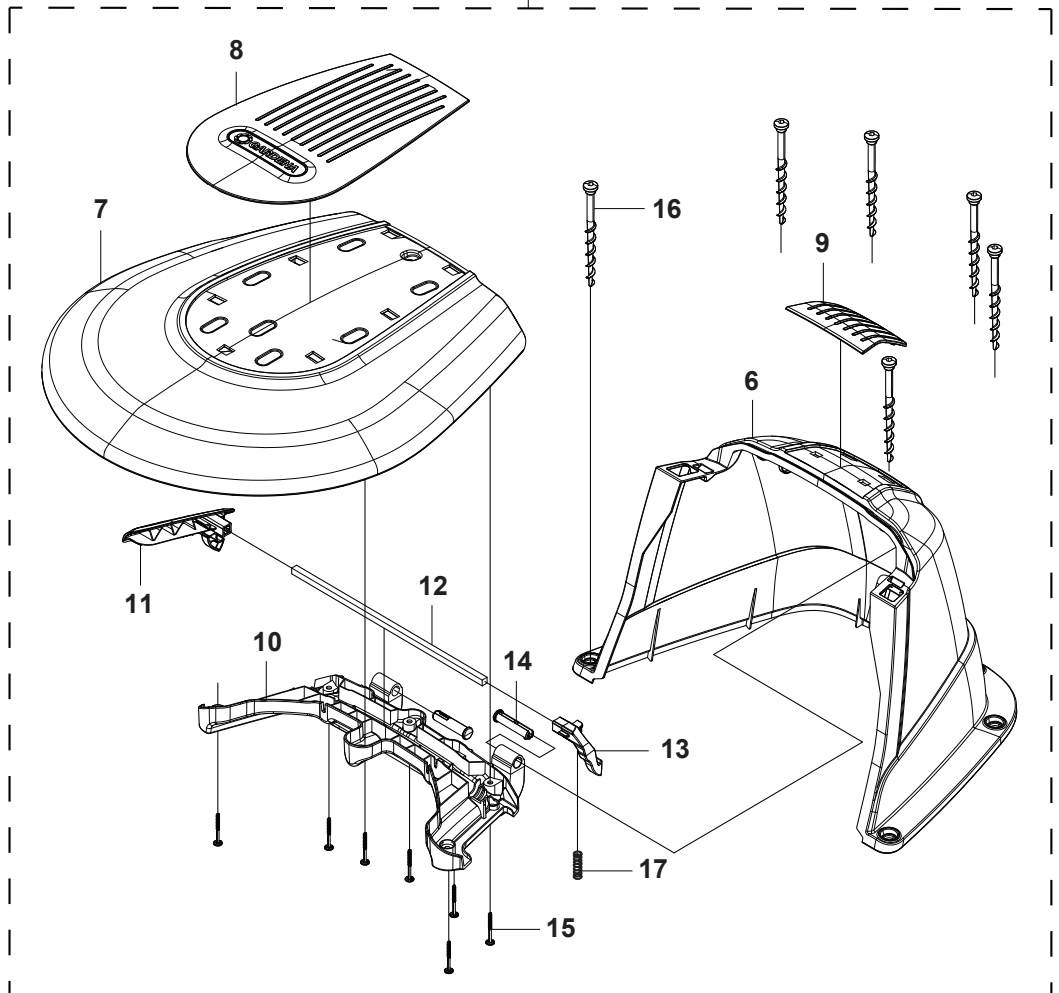


PAGE F GARDENA R70Li/R80Li INSTALLATION ACCESSORIES				
Position	Article	Quantity	Notes	Kit / Assy
1	584 86 25-01	1	Power Supply Unit, EU	
2	584 86 26-02	1	Power Supply Unit, UK	
2	584 86 26-03	1	Power Supply Unit, CH	
2	584 86 26-04	1	Power Supply Unit, CA	
2	584 86 26-05	1	Power Supply Unit, AU-NZ	
3	579 82 51-01	1	Low Voltage Cable (20 m)	
3	579 82 51-02	1	Low Voltage Cable (10 m)	
3	579 82 51-03	1	Low Voltage Cable (3 m)	
4	966 80 98-01	1	Staples (100 pcs), Gardena Blister Pack	
4	Gardena 4090-20	1	Staples (100 pcs), Gardena Blister Pack	
5	575 23 86-02	1	Anchor Screw (3 pcs) incl. Allen Key	
6	967104801	1	Loop Wire 50 m, Gardena Blister Pack	
6	Gardena 4058-20	1	Loop Wire 50 m, Gardena Blister Pack	
6	966 80 96-01	1	Loop Wire (150 m), Gardena Blister Pack	
6	Gardena 4088-20	1	Loop Wire (150 m), Gardena Blister Pack	
6	580 66 20-03	1	Loop Wire (200 m)	
6	580 66 20-01	1	Loop Wire (250 m)	
6	580 66 20-04	1	Loop Wire (800 m)	
7	966 80 95-01	1	Blades (9 pcs), Gardena Blister Pack	
7	Gardena 4087-20	1	Blades (9 pcs), Gardena Blister Pack	
7	577 86 46-03	1	Long Life - Safety Blade, Husqvarna Blister Pack, 9 pcs	
7	577 60 65-05	1	Long Life - Safety Blade, 45 pcs	
7	577 60 66-04	1	Long Life - Safety Blade, 300 pcs	
8	535 12 90-01	1	Loop Wire Connector (1pcs)	10
9	501 98 02-01	1	Coupler (1pcs)	10
9	501 98 02-02	1	Coupler KIT (50pcs)	
10	966 80 97-01	1	2 Connectors+6 Couplers, Gardena Blister Pack	
10	Gardena 4089-20	1	2 Connectors+6 Couplers, Gardena Blister Pack	
10	579 04 81-01	1	5 Connectors+5 Couplers	
11	586 27 79-01	1	Sticker, Cable Markers (10 pcs)	
12	502 40 53-01	1	Label, Anti-Theft	
13	578 90 91-05	1	Installation DVD, Gardena	
14	115 84 43-01	1	Operator's Manual, Swedish	
14	115 84 43-06	1	Operator's Manual, Danish	
14	115 84 43-11	1	Operator's Manual, Finnish	
14	115 84 43-21	1	Operator's Manual, Norwegian	
14	115 84 43-26	1	Operator's Manual, English	
14	115 84 43-31	1	Operator's Manual, French	
14	115 84 43-36	1	Operator's Manual, Dutch	
14	115 84 43-41	1	Operator's Manual, Italian	
14	115 84 43-46	1	Operator's Manual, Spanish	
14	115 84 43-51	1	Operator's Manual, German	
14	115 84 43-58	1	Operator's Manual, Hungarian	
14	115 84 43-59	1	Operator's Manual, Portuguese	
14	115 84 43-61	1	Operator's Manual, Polish	
14	115 84 43-68	1	Operator's Manual, Slovakian	
14	115 84 43-84	1	Operator's Manual, Slovenian	
14	115 84 43-90	1	Operator's Manual, Czech	
15	115 84 37-01	1	Quick Guide, Swedish	
15	115 84 37-06	1	Quick Guide, Danish	
15	115 84 37-11	1	Quick Guide, Finnish	
15	115 84 37-21	1	Quick Guide, Norwegian	
15	115 84 37-26	1	Quick Guide, English	
15	115 84 37-31	1	Quick Guide, French	
15	115 84 37-36	1	Quick Guide, Dutch	
15	115 84 37-41	1	Quick Guide, Italian	
15	115 84 37-46	1	Quick Guide, Spanish	
15	115 84 37-51	1	Quick Guide, German	
15	115 84 37-58	1	Quick Guide, Hungarian	
15	115 84 37-59	1	Quick Guide, Portuguese	
15	115 84 37-61	1	Quick Guide, Polish	
15	115 84 37-68	1	Quick Guide, Slovakian	
15	115 84 37-84	1	Quick Guide, Slovenian	
15	115 84 37-90	1	Quick Guide, Czech	
16	967 10 49-01	1	Boundary repair kit, 5m boundary wire, 6x connectors, 10x staples	
16	Gardena 4059-20	1	Boundary repair kit, 5m boundary wire, 6x connectors, 10x staples	

# G GARDENA R70/80Li ACCESSORIES



18



Page G GARDENA R70Li/R80Li ACCESSORIES				
Position	Article	Quantity	Notes	Kit / Assy
1	581 16 57-01	1	Metal Insert Repair KIT (4 pcs)	
2	580 68 95-02	1	Warranty Seal 1pcs	
3	577 60 68-01	1	Loop Wire Interruption Detector	
4	588 40 84-01	1	Quick Charger with Battery Test	
5	588 20 26-01	1	Cable Quick Charger	
6	587 91 63-01	1	Cover KIT Base	18
7	587 91 64-01	1	Cover KIT Lid	18
8	586 69 44-01	1	Cover Front Insert	18
9	586 69 46-01	1	Cover Rear Insert	18
10	586 69 42-01	1	Beam Hinge	18
11	586 69 47-01	1	Handle Left	18
12	585 32 41-02	1	Steel Rod	18
13	586 69 48-01	1	Latch Right	18
14	585 34 15-01	2	Hinge Pin	18
15	575 54 33-14	8	Screw	18
16	575 23 86-01	1	Screw KIT	18
17	580 51 14-01	1	Spring Cap	18
18	586 80 17-01	1	Gardena Housing	
19	967104601	1	WALL HANGER	
19	Gardena 4042-20	1	WALL HANGER	
20	967104501	1	Cable Connector Protection	
20	Gardena 4056-20	1	Cable Connector Protection	
21	115 44 50-01	1	TECHNICAL MANUAL, Swedish	
21	115 44 50-06	1	TECHNICAL MANUAL, Danish	
21	115 44 50-11	1	TECHNICAL MANUAL, Finnish	
21	115 44 50-21	1	TECHNICAL MANUAL, Norwegian	
21	115 44 50-26	1	TECHNICAL MANUAL, English	
21	115 44 50-31	1	TECHNICAL MANUAL, French	
21	115 44 50-36	1	TECHNICAL MANUAL, Dutch	
21	115 44 50-41	1	TECHNICAL MANUAL, Italian	
21	115 44 50-46	1	TECHNICAL MANUAL, Spanish	
21	115 44 50-51	1	TECHNICAL MANUAL, German	
21	115 44 50-56	1	TECHNICAL MANUAL, Russian	
21	115 44 50-58	1	TECHNICAL MANUAL, Hungarian	
21	115 44 50-61	1	TECHNICAL MANUAL, Polish	
21	115 44 50-62	1	TECHNICAL MANUAL, Romanian	
21	115 44 50-63	1	TECHNICAL MANUAL, Estonian	
21	115 44 50-64	1	TECHNICAL MANUAL, Latvian	
21	115 44 50-65	1	TECHNICAL MANUAL, Lithuanian	
21	115 44 50-71	1	TECHNICAL MANUAL, Greek	
21	115 44 50-76	1	TECHNICAL MANUAL, Turkish	
21	115 44 50-81	1	TECHNICAL MANUAL, Croatian	
21	115 44 50-90	1	TECHNICAL MANUAL, Czech	