

GARDENA[®] Robotic Lawn Mower

SILENO: R100Li/R100LiC

SILENO+: R130Li/R130LiC/R160Li/R160LiC

2017

Spare parts

Ersatzteile

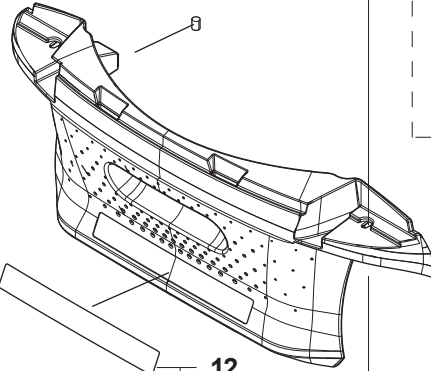
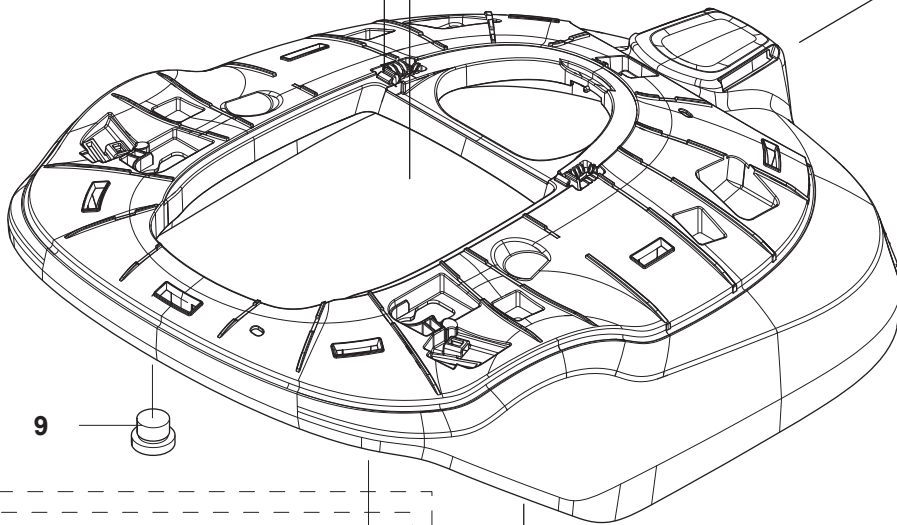
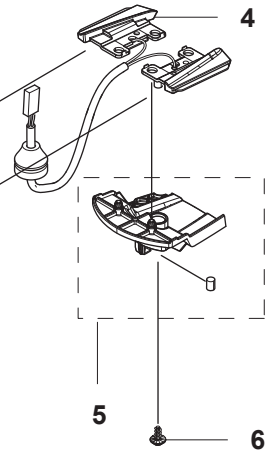
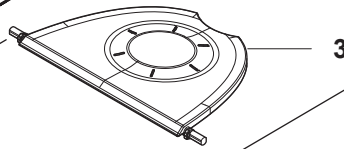
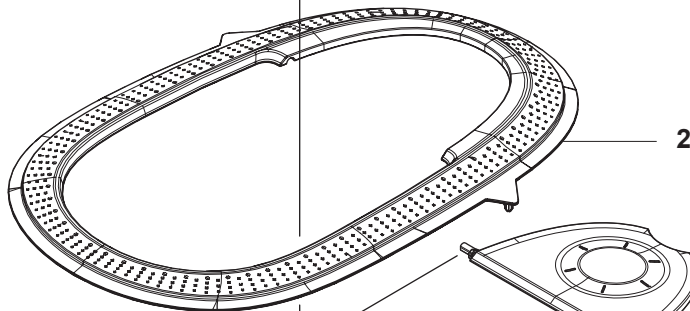
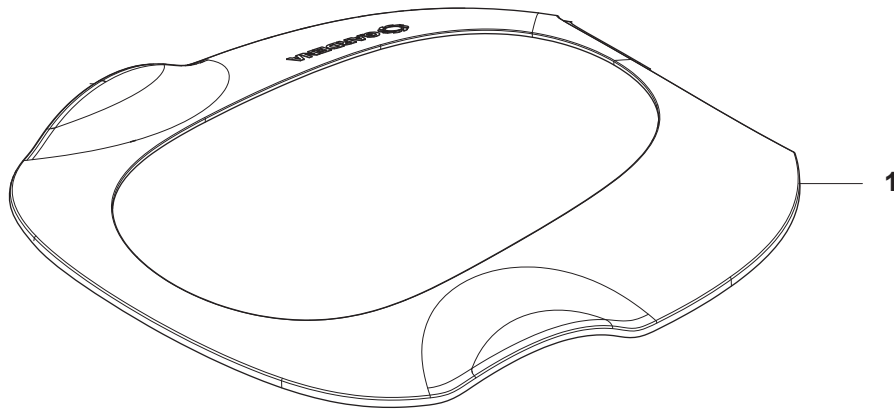
Pièces détachées

Reserve onderdelen

Repuestos

Reservdelar

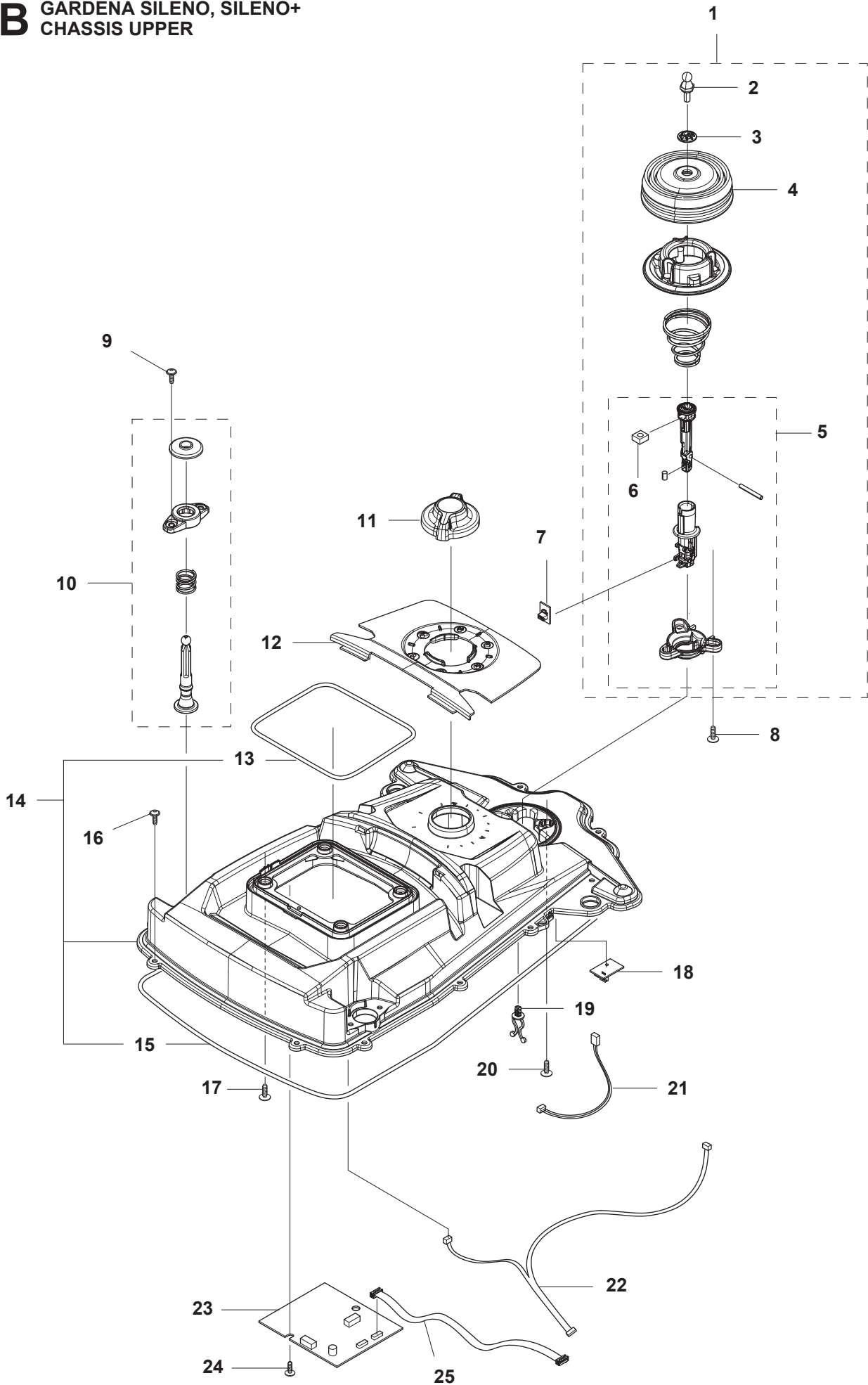
A GARDENA SILENO, SILENO+
COVER



PAGE A GARDENA SILENO, SILENO+ COVER

| Position | Article | Quantity | Notes | Kit / Assy |
|----------|--------------|----------|---|------------|
| 1 | 587 98 69-01 | 1 | Top Cover Turquoise (R100Li, R100LiC) | |
| 1 | 587 98 69-02 | 1 | Top Cover Grey (R130Li, R130LiC, R160Li) | |
| 2 | 587 98 67-01 | 1 | Frame Turquoise (R130Li, R130LiC, R160Li) | |
| 2 | 587 98 67-02 | 1 | Frame Silver (R100Li, R100LiC) | |
| 3 | 587 98 66-01 | 1 | Hood Grey (R100Li, R130Li, R160Li) | |
| 3 | 587 98 66-02 | 1 | Hood Smokey (R100LiC, R130LiC) | |
| 4 | 585 53 92-02 | 1 | Charging Plate Wiring | |
| 5 | 501 10 57-01 | 1 | Holder ASSY | |
| 6 | 574 45 01-01 | 1 | Screw | |
| 7 | 501 10 56-01 | 1 | Body ASSY | |
| 8 | 588 47 02-01 | 1 | Spring Hood | 7 |
| 9 | 580 52 68-01 | 3 | Cap Snaploc | 7 |
| 10 | 501 10 58-01 | 1 | Bumper ASSY | |
| 11 | 574 45 01-01 | 2 | Screw | |
| 12 | 586 35 97-01 | 1 | Label Warning | 10 |

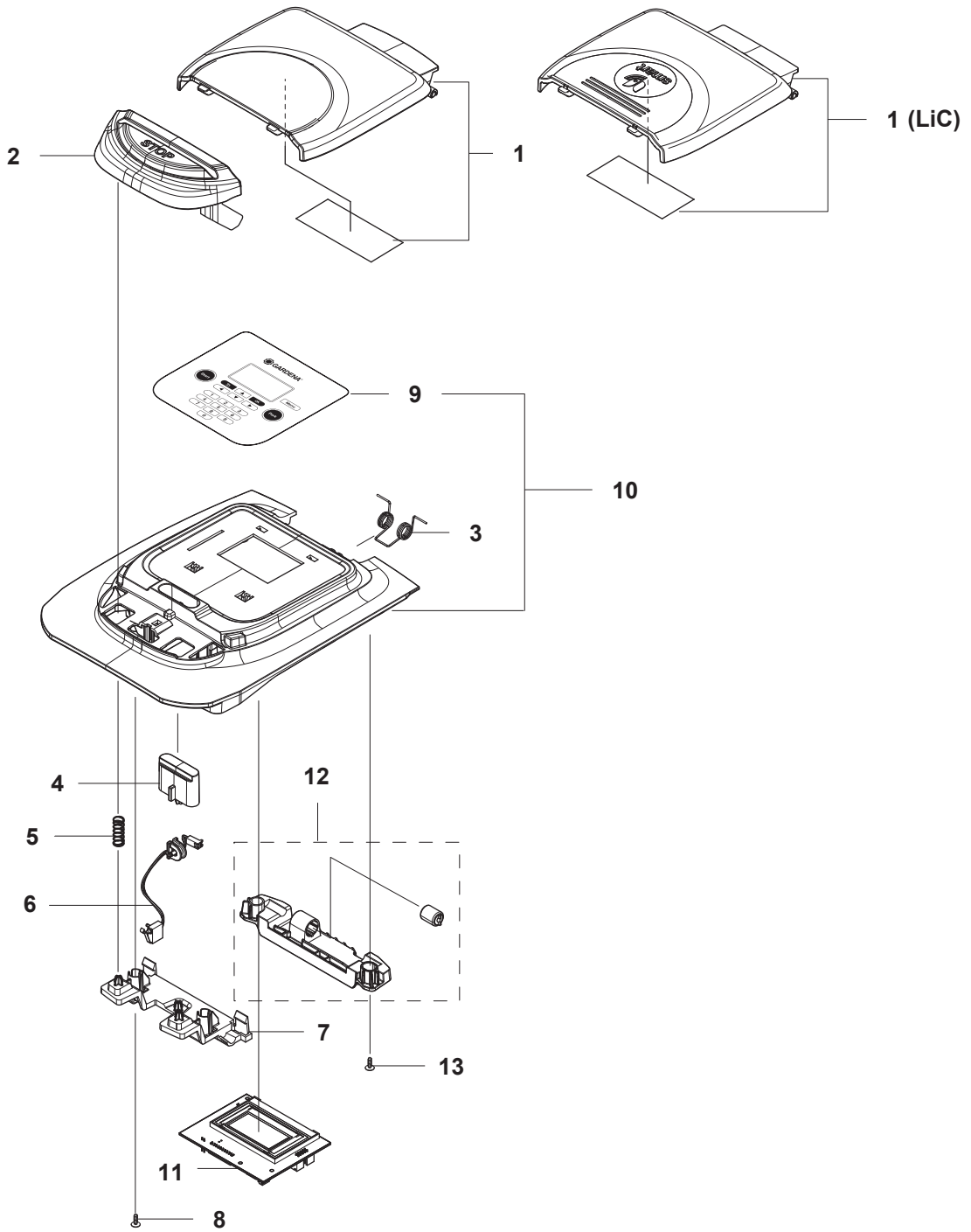
B GARDENA SILENO, SILENO+
CHASSIS UPPER



PAGE B GARDENA SILENO, SILENO+ CHASSIS UPPER

| Position | Article | Quantity | Notes | Kit / Assy |
|----------|--------------|----------|--------------------------------------|------------|
| 1 | 581 62 09-03 | 1 | Joystick KIT Front | |
| 2 | 580 52 67-01 | 1 | Stud | 1 |
| 3 | 579 52 57-01 | 1 | Washer | 1 |
| 4 | 579 47 46-01 | 1 | Bellows | 1 |
| 5 | 587 44 88-02 | 1 | Joystick ASSY | 1 |
| 6 | 503 22 66-01 | 1 | Square Nut | 1,5 |
| 7 | 579 66 90-01 | 1 | PCBA Lift Sensor | |
| 8 | 575 54 33-14 | 3 | Screw | |
| 9 | 574 45 01-01 | 4 | Screw | |
| 10 | 501 10 62-01 | 2 | Joystick KIT Rear | |
| 11 | 587 98 65-01 | 1 | Knob | |
| 12 | 587 98 70-01 | 1 | Plate Height Indication | |
| 13 | 574 87 47-08 | 1 | Sealing Strip (1 pcs, Ø5 mm) | |
| 14 | 587 44 89-02 | 1 | Chassis KIT | |
| 15 | 574 87 47-09 | 1 | Sealing Strip (1 pcs, Ø5 mm) | |
| 16 | 574 45 01-01 | 12 | Screw | |
| 17 | 574 45 01-01 | 4 | Screw | |
| 18 | 584 96 90-01 | 1 | PCBA Collision Sensor | |
| 19 | 580 68 29-01 | 3 | Holder Twist Lock | |
| 20 | 574 45 01-01 | 3 | Screw | |
| 21 | 585 20 85-01 | 1 | Lift Cable | |
| 22 | 588 79 78-01 | 1 | Wiring | |
| 23 | 588 13 62-03 | 1 | PCBA smart system (R100LiC, R130LiC) | |
| 24 | 574 45 01-01 | 2 | Screw | |
| 25 | 579 70 86-01 | 1 | AUX Cable | |

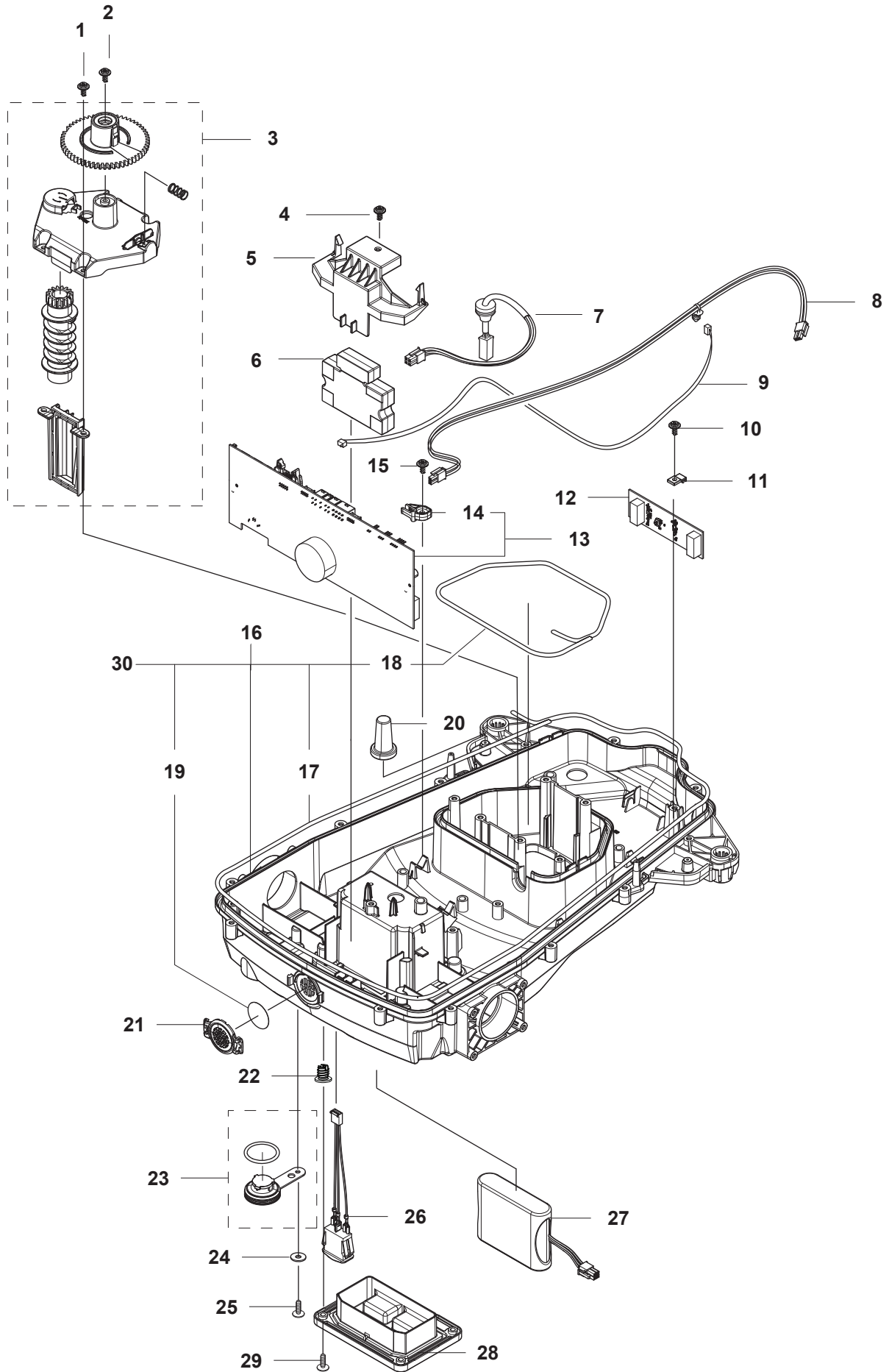
C GARDENA SILENO, SILENO+
CENTER CONSOL



PAGE C GARDENA SILENO, SILENO+ CENTER CONSOL

| Position | Article | Quantity | Notes | Kit / Assy |
|-----------------|----------------|-----------------|---|-------------------|
| 1 | 501 10 59-01 | 1 | Hatch KIT Grey (R100Li, R130Li, R160Li) | |
| 1 | 501 16 69-01 | 1 | Hatch KIT smart system (R100LiC, R130LiC) | |
| 2 | 587 98 72-01 | 1 | Stop Button | |
| 3 | 585 25 54-01 | 1 | Torsion Spring | |
| 4 | 587 98 74-01 | 1 | Lock | |
| 5 | 576 24 22-01 | 3 | Spring | |
| 6 | 574 48 03-02 | 1 | Switch | |
| 7 | 585 27 57-01 | 1 | Support Rear | |
| 8 | 575 54 33-14 | 2 | Screw | |
| 9 | 588 27 28-01 | 1 | Keyboard | 10 |
| 10 | 501 10 60-01 | 1 | Cover ASSY | |
| 11 | 588 64 17-01 | 1 | PCBA HMI | |
| 12 | 501 10 61-01 | 1 | Support KIT | |
| 13 | 575 54 33-14 | 2 | Screw | |

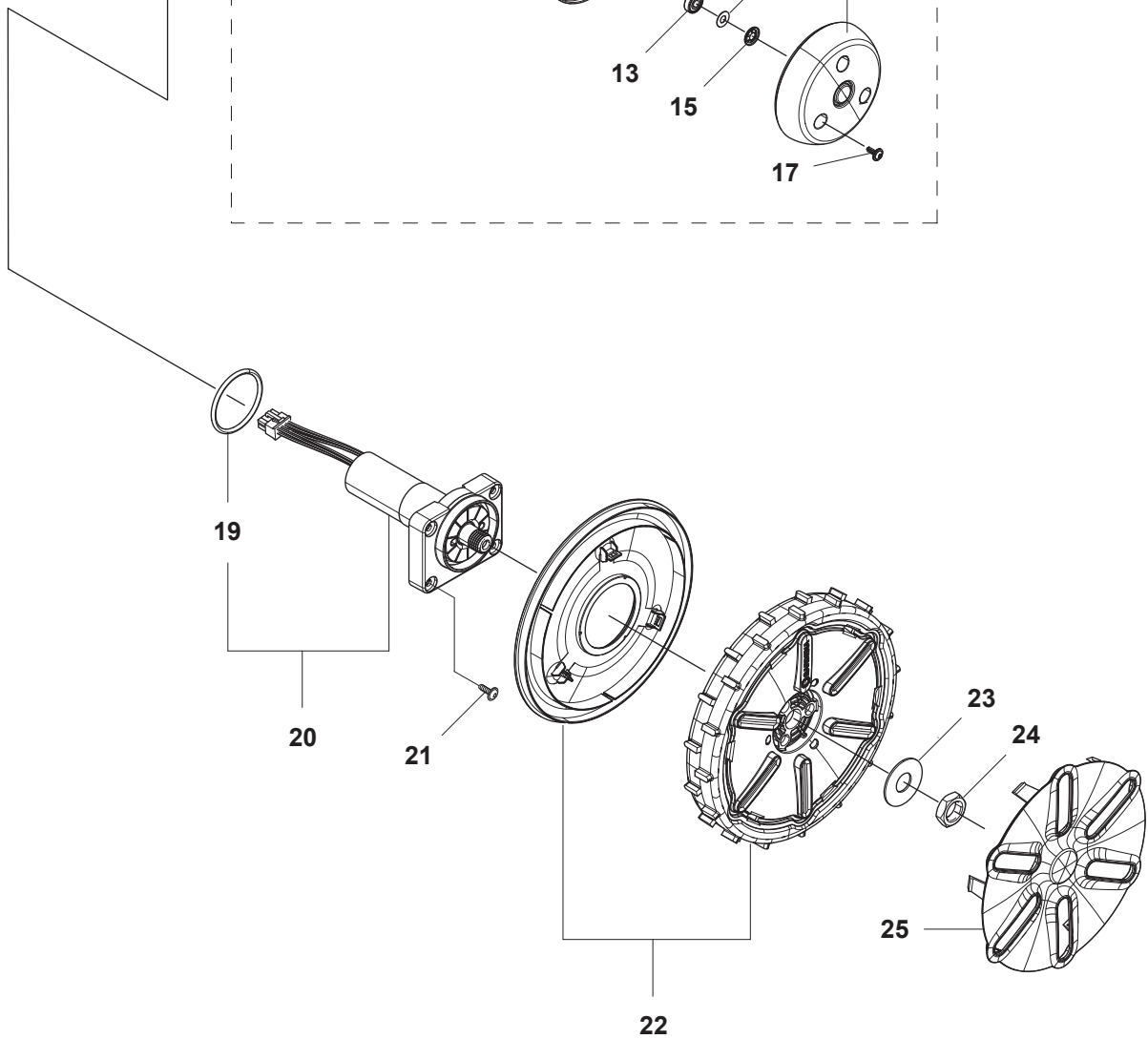
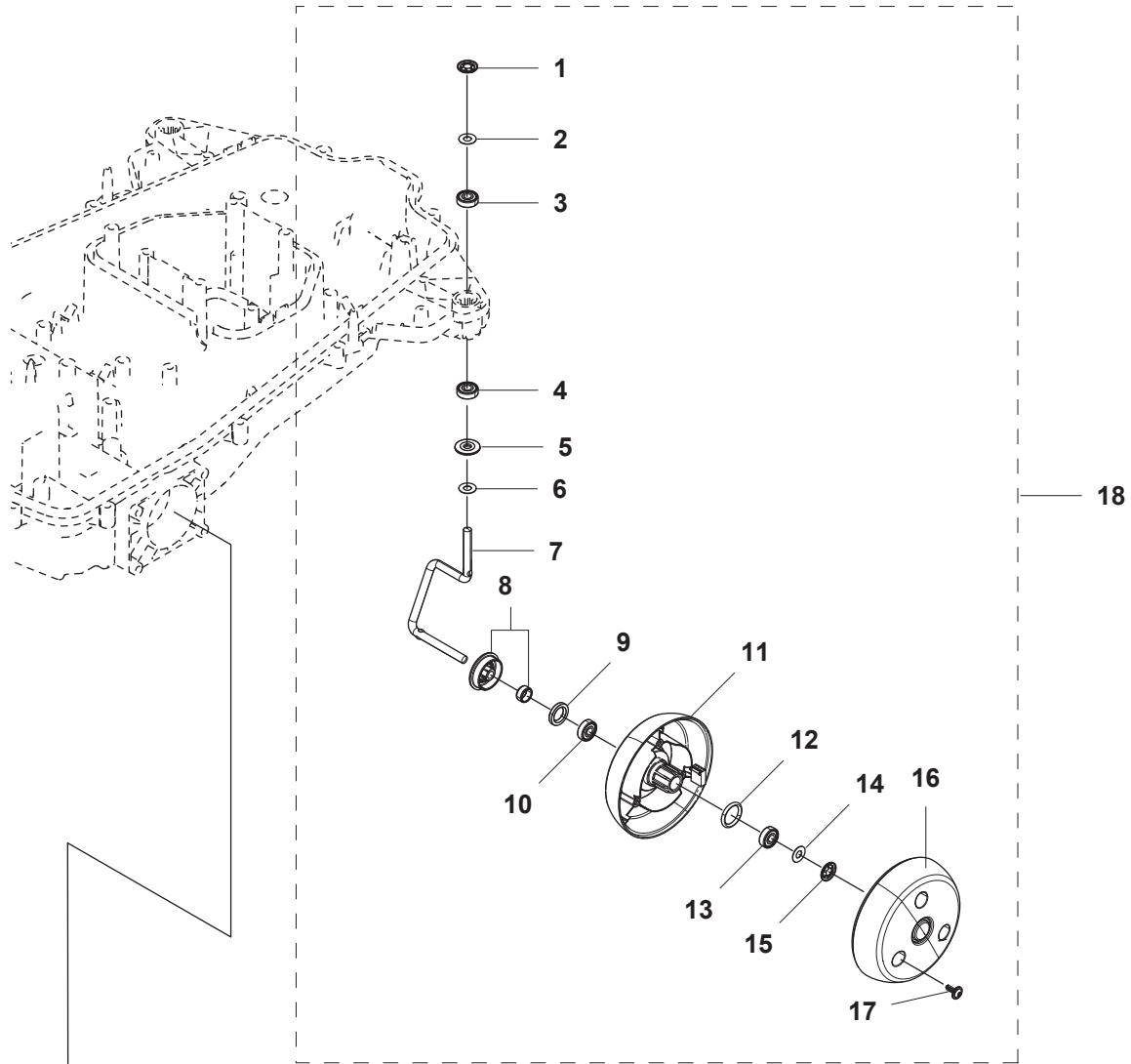
D GARDENA SILENO, SILENO+
CHASSIS LOWER



PAGE D GARDENA SILENO, SILENO+ CHASSIS LOWER

| Position | Article | Quantity | Notes | Kit / Assy |
|----------|--------------|----------|---|------------|
| 1 | 574 45 01-01 | 2 | Screw | |
| 2 | 574 45 01-01 | 1 | Screw | |
| 3 | 501 10 66-01 | 1 | Cover KIT | |
| 4 | 574 45 01-01 | 1 | Screw | |
| 5 | 587 80 58-01 | 1 | Holder Weight | |
| 6 | 587 24 96-01 | 1 | Weight | |
| 7 | 588 12 49-01 | 1 | Battery Cable | |
| 8 | 585 53 90-01 | 1 | Charging Cable | |
| 9 | 579 70 82-01 | 1 | Sensor Cable | |
| 10 | 574 45 01-01 | 1 | Screw | |
| 11 | 579 52 94-01 | 1 | Clamp | |
| 12 | 588 90 30-01 | 1 | Sensor Board | |
| 13 | 588 77 90-03 | 1 | Main Board | |
| 14 | 579 52 94-01 | 2 | Clamp | |
| 15 | 574 45 01-01 | 2 | Screw | |
| 16 | 501 10 65-01 | 1 | Chassis KIT | |
| 17 | 574 87 47-09 | 1 | Sealing Strip (1 pcs, Ø5 mm) | |
| 18 | 574 87 47-08 | 1 | Sealing Strip (1 pcs, Ø5 mm) | |
| 19 | 577 75 37-01 | 1 | Air Filter 10 pcs | 16 |
| 20 | 586 34 26-01 | 2 | Pillar | |
| 21 | 586 03 89-01 | 1 | Cover Filter | |
| 22 | 588 71 70-01 | 4 | Metal Insert Battery Hatch 1 pcs | |
| 23 | 581 62 12-02 | 1 | Plug KIT | |
| 24 | 734 11 37-41 | 1 | Washer | |
| 25 | 574 45 01-01 | 1 | Screw | |
| 26 | 579 70 87-01 | 1 | Switch On-Off | |
| 27 | 584 85 28-01 | 1 | Battery LI-Ion 18V | |
| 28 | 587 80 57-01 | 1 | Hatch Battery | |
| 29 | 588 22 22-01 | 4 | Screw | |
| 30 | 589 89 97-01 | 1 | Seal KIT incl. Sealing Strip Chassis (1 pcs), Sealing Strip Short (2 pcs), Air Filter (1 pcs) | |

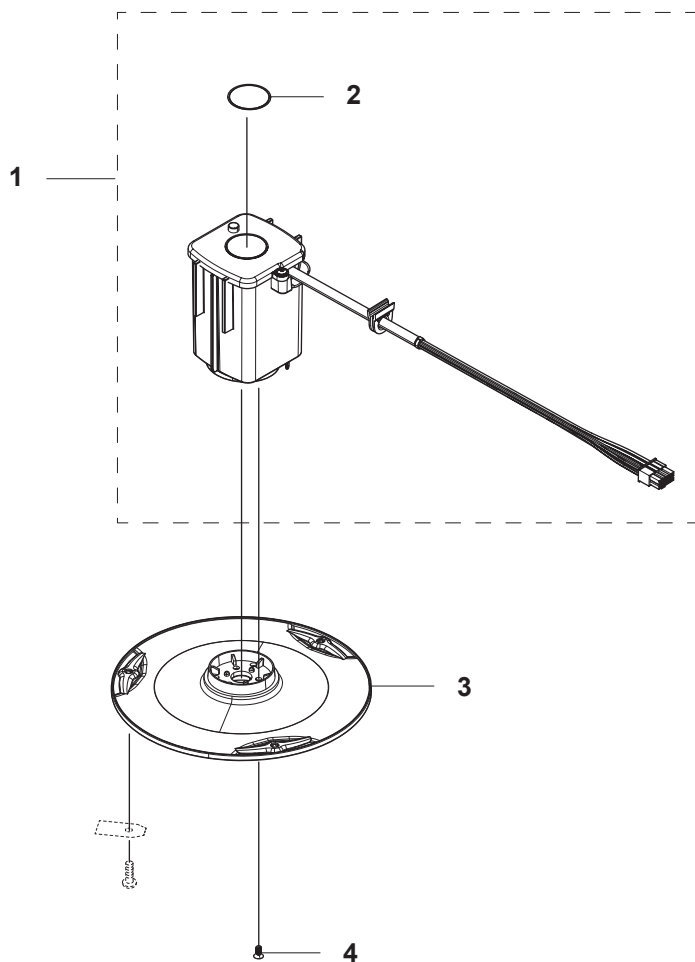
E GARDENA SILENO, SILENO+ WHEELS & TIRES



PAGE E GARDENA SILENO, SILENO+ WHEELS & TIRES

| Position | Article | Quantity | Notes | Kit / Assy |
|----------|--------------|----------|------------------|------------|
| 1 | 576 01 94-02 | 2 | Lock Washer | 18 |
| 2 | 585 19 68-01 | 2 | Washer | 18 |
| 3 | 585 21 42-01 | 2 | Ball Bearing | 18 |
| 4 | 585 21 42-01 | 2 | Ball Bearing | 18 |
| 5 | 535 08 78-02 | 2 | Washer | 18 |
| 6 | 585 19 68-01 | 2 | Washer | 18 |
| 7 | 585 18 72-01 | 2 | Spindle | 18 |
| 8 | 587 44 93-01 | 2 | Shield KIT | 18 |
| 9 | 580 48 71-01 | 2 | Sealing | 18 |
| 10 | 585 21 42-01 | 2 | Ball Bearing | 18 |
| 11 | 585 18 68-01 | 2 | Wheel Inside | 18 |
| 12 | 580 44 51-01 | 2 | O-ring | 18 |
| 13 | 585 21 42-01 | 2 | Ball Bearing | 18 |
| 14 | 585 19 68-01 | 2 | Washer | 18 |
| 15 | 576 01 94-01 | 2 | Lock Washer | 18 |
| 16 | 585 18 69-01 | 2 | Wheel Outside | 18 |
| 17 | 575 54 33-14 | 6 | Screw | 18 |
| 18 | 501 10 64-01 | 2 | Front Wheel KIT | |
| 19 | 580 44 39-02 | 2 | O-Ring | |
| 20 | 587 44 94-02 | 2 | Wheel Motor ASSY | |
| 21 | 574 45 01-01 | 8 | Screw | |
| 22 | 501 10 63-01 | 2 | Rear Wheel ASSY | |
| 23 | 586 21 06-01 | 2 | Washer | |
| 24 | 731 43 24-01 | 2 | Thin Nut | |
| 25 | 587 80 60-01 | 2 | Hub Cap | |

F GARDENA SILENO, SILENO+
BLADE MOTOR & CUTTING EQUIPMENT

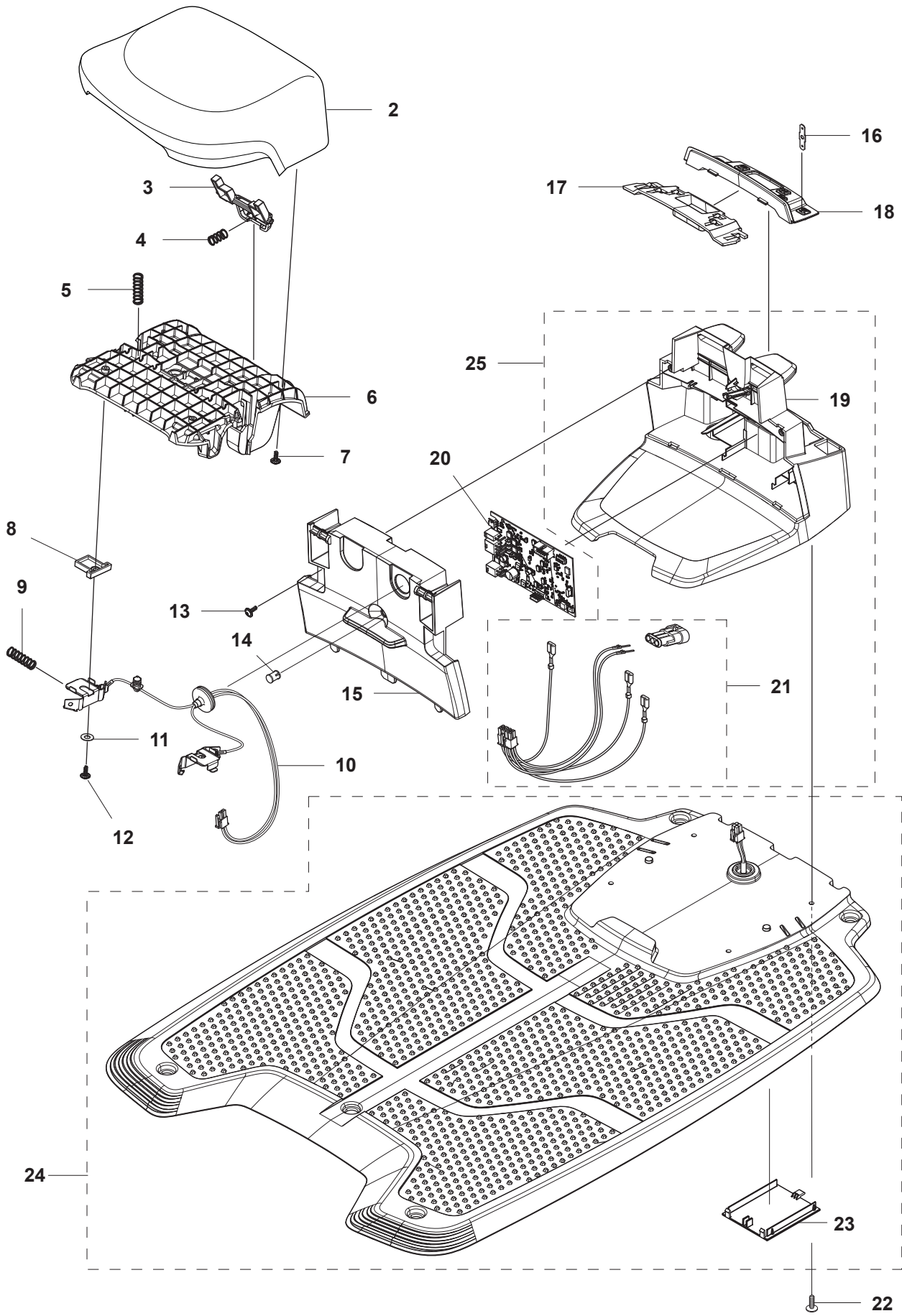


PAGE F GARDENA SILENO, SILENO+ BLADE MOTOR & CUTTING EQUIPMENT

| Position | Article | Quantity | Notes | Kit / Assy |
|-----------------|----------------|-----------------|-------------------|-------------------|
| 1 | 501 84 36-01 | 1 | Motor ASSY | 2 |
| 2 | 577 75 37-01 | 1 | Air Filter 10 pcs | |
| 3 | 588 83 12-01 | 1 | Cutting Disc | |
| 4 | 535 13 05-02 | 3 | Screw | |

G GARDENA SILENO, SILENO+
CHARGING STATION

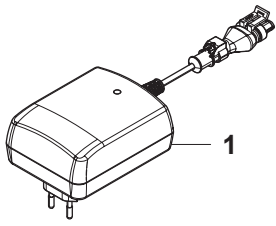
1



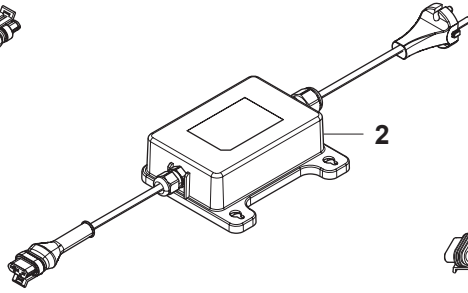
PAGE G GARDENA SILENO, SILENO+ CHARGING STATION

| Position | Article | Quantity | Notes | Kit / Assy |
|-----------------|----------------|-----------------|-----------------------|-------------------|
| 1 | 587 83 29-02 | 1 | Charging Station | |
| 2 | 588 04 26-01 | 1 | Cap | 1 |
| 3 | 579 46 24-02 | 1 | Button - Release | 1 |
| 4 | 574 48 70-01 | 1 | Spring | 1 |
| 5 | 580 51 14-01 | 2 | Spring | 1 |
| 6 | 579 45 80-04 | 1 | Frame | 1 |
| 7 | 575 54 33-14 | 4 | Screw | 1 |
| 8 | 579 46 05-01 | 2 | Distance | 1 |
| 9 | 580 51 14-01 | 2 | Spring | 1 |
| 10 | 585 53 95-02 | 1 | Loom Charging Contact | 1 |
| 11 | 734 11 37-41 | 2 | Washer | 1 |
| 12 | 575 54 33-14 | 2 | Screw | 1 |
| 13 | 575 54 33-14 | 2 | Screw | 1 |
| 14 | 535 12 87-02 | 1 | Lens | 1 |
| 15 | 585 07 14-01 | 1 | Lid | 1 |
| 16 | 580 50 41-01 | 3 | Terminal | 1 |
| 17 | 579 45 98-01 | 1 | Panel | 1 |
| 18 | 579 45 99-01 | 1 | Holder | 1 |
| 19 | 585 07 12-01 | 1 | Housing | 1, 25 |
| 20 | 589 60 21-01 | 1 | PCBA Charging Station | 1 |
| 21 | 587 65 15-01 | 1 | Wiring CS | 1, 25 |
| 22 | 575 54 33-14 | 4 | Screw | 1 |
| 23 | 585 91 93-01 | 1 | Cover | 1, 24 |
| 24 | 587 65 16-02 | 1 | Charging Plate KIT | 1 |
| 25 | 588 41 61-01 | 1 | Housing KIT | 1 |

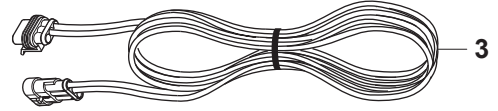
H GARDENA SILENO, SILENO+ INSTALLATION ACCESSORIES



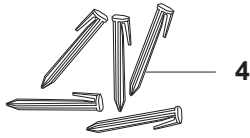
1



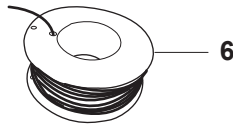
2



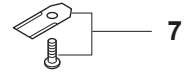
3



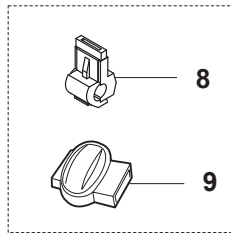
4



6



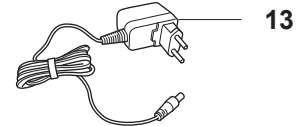
7



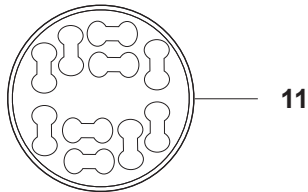
8

9

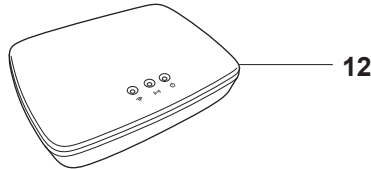
10



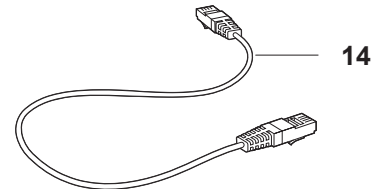
13



11



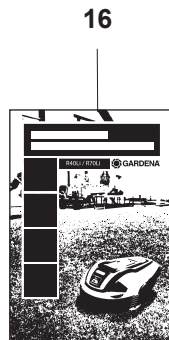
12



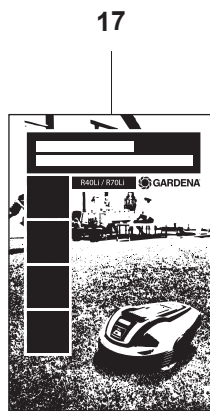
14



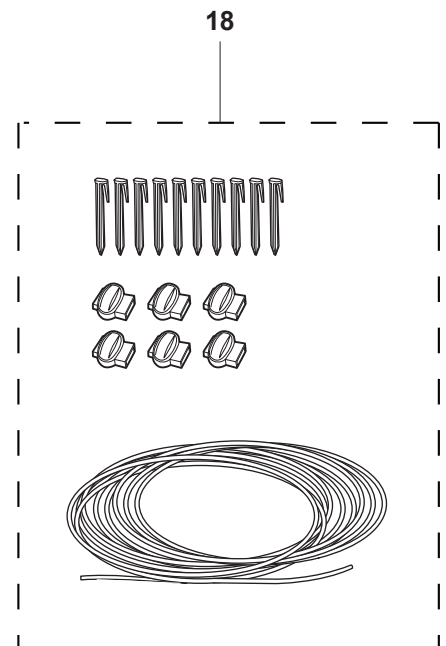
15



16



17



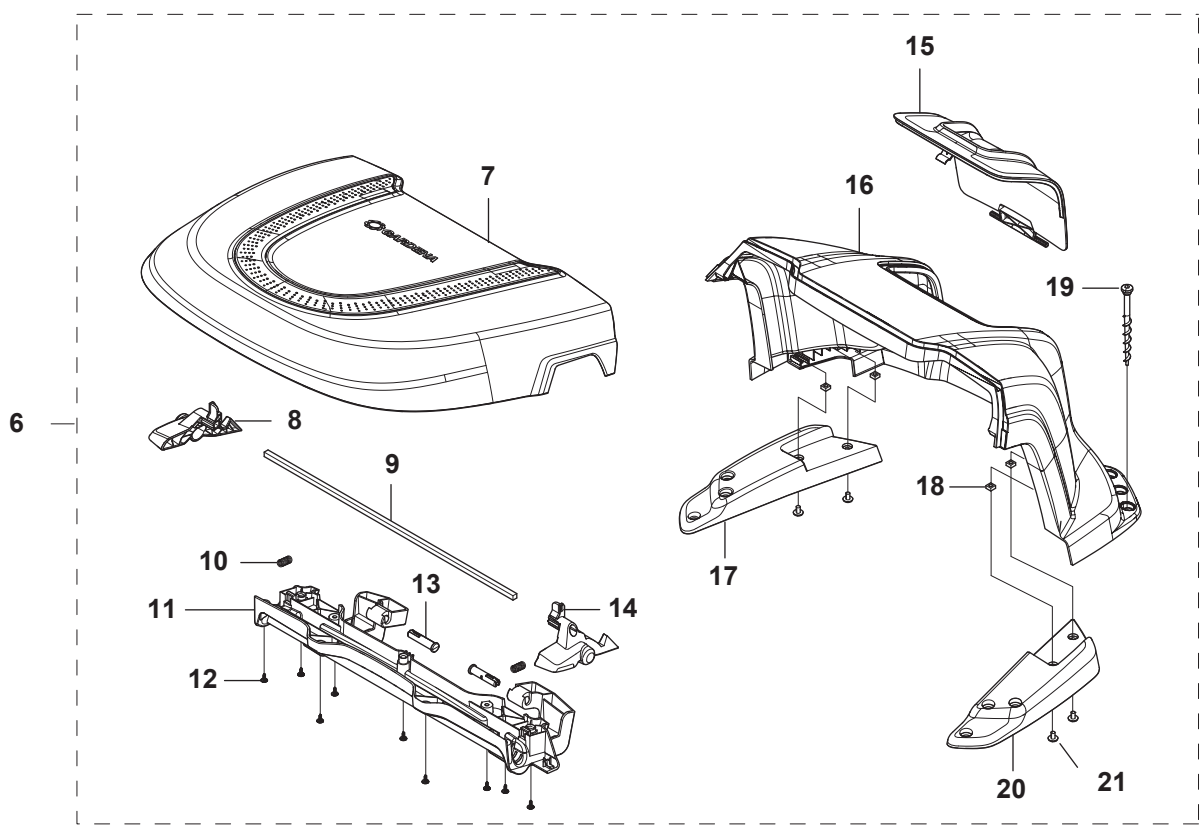
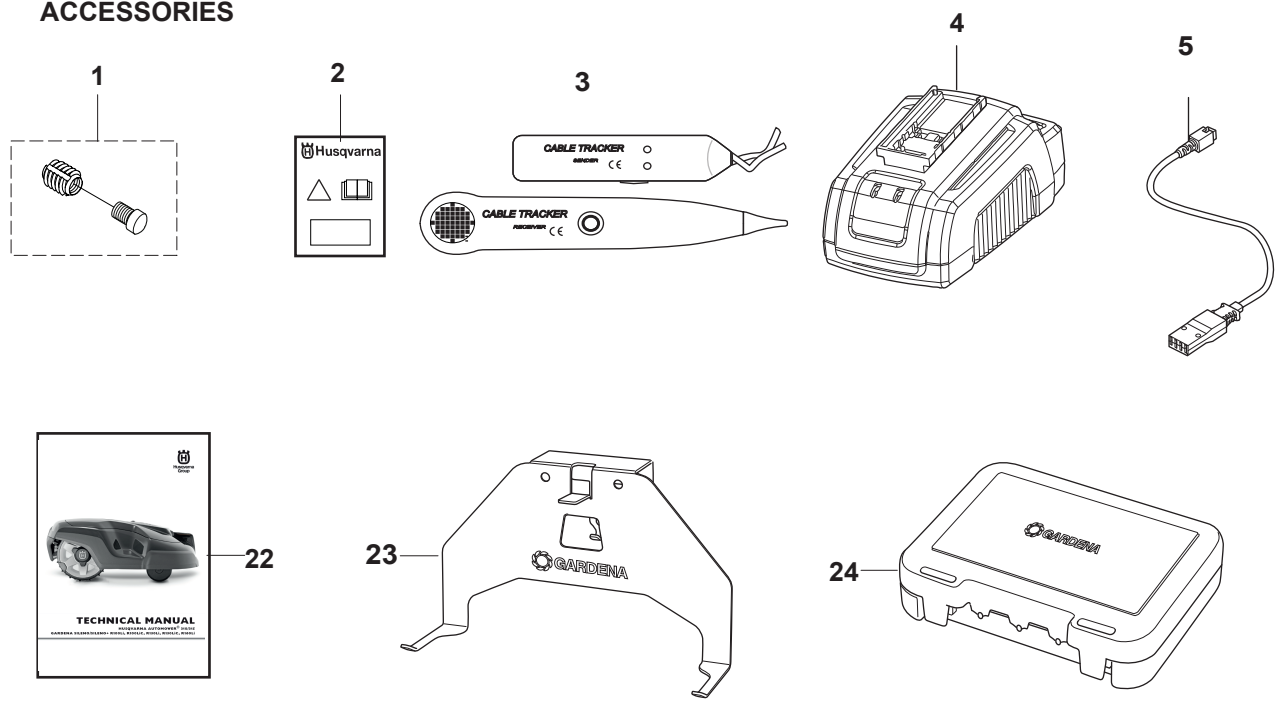
18

PAGE H GARDENA SILENO, SILENO+ INSTALLATION ACCESSORIES

| Position | Article | Quantity | Notes | Kit / Assy |
|-----------------|-----------------|-----------------|--|-------------------|
| 1 | 584 86 25-01 | 1 | Power Supply EU | |
| 2 | 584 86 26-03 | 1 | Power Supply CH | |
| 3 | 579 82 51-01 | 1 | Low Voltage Cable 20 m | |
| 3 | 579 82 51-02 | 1 | Low Voltage Cable 10 m | |
| 3 | 579 82 51-03 | 1 | Low Voltage Cable 3 m | |
| 4 | 966 80 98-01 | 1 | Staples 100 pcs, Gardena Blister Pack | |
| 4 | Gardena 4090-20 | 1 | Staples 100 pcs, Gardena Blister Pack | |
| 5 | 575 23 86-03 | 1 | Screw KIT | |
| 6 | 967 10 48-01 | 1 | Loop Wire 50 m, Gardena Blister Pack | |
| 6 | Gardena 4058-20 | 1 | Loop Wire 50 m, Gardena Blister Pack | |
| 6 | 577 86 43-02 | 1 | Loop Wire 50 m, Husqvarna Blister Pack | |
| 6 | 966 80 96-01 | 1 | Loop Wire 150 m, Gardena Blister Pack | |
| 6 | Gardena 4088-20 | 1 | Loop Wire 150 m, Gardena Blister Pack | |
| 6 | 577 86 43-01 | 1 | Loop Wire 150 m, Husqvarna Blister Pack | |
| 6 | 580 66 20-03 | 1 | Loop Wire 200 m | |
| 6 | 580 66 20-01 | 1 | Loop Wire 250 m | |
| 6 | 580 66 20-04 | 1 | Loop Wire 800 m | |
| 7 | 966 80 95-01 | 1 | Blades 9 pcs, Gardena Blister Pack | |
| 7 | Gardena 4087-20 | 1 | Blades 9 pcs, Gardena Blister Pack | |
| 7 | 577 86 46-03 | 1 | Long Life Safety Blades, 9 pcs, Husqvarna Blister Pack | |
| 7 | 577 60 65-05 | 1 | Long Life Safety Blades, 45 pcs | |
| 7 | 577 60 66-04 | 1 | Long Life Safety Blades, 300 pcs | |
| 8 | 535 12 90-01 | 1 | Loop Wire Connector 1 pcs | |
| 9 | 501 98 02-01 | 1 | Splice 1 pcs | |
| 9 | 501 98 02-02 | 1 | Splice KIT 50 pcs | |
| 10 | 966 80 97-01 | 1 | 2 Connectors + 6 Splices, Gardena Blister Pack | |
| 10 | Gardena 4089-20 | 1 | 2 Connectors + 6 Splices, Gardena Blister Pack | |
| 10 | 579 04 81-01 | 1 | 5 Connectors + 5 Splices | |
| 11 | 586 27 79-01 | 1 | Sticker Cable Markers 10 pcs | |
| 12 | 588 98 66-01 | 1 | Gateway, Gardena smart system (LiC) | |
| 13 | 589 20 95-01 | 1 | Power Supply, Gardena smart system (LiC) EU | |
| 13 | 589 83 81-01 | 1 | Power Supply, Gardena smart system (LiC) UK | |
| 14 | 501 65 70-01 | 1 | LAN Cable, Gardena smart system (LiC) | |
| 15 | 502 40 53-01 | 1 | Label Anti-Theft | |
| 16 | 115 86 00-01 | 1 | Operator's Manual, Swedish | |
| 16 | 115 86 00-06 | 1 | Operator's Manual, Danish | |
| 16 | 115 86 00-11 | 1 | Operator's Manual, Finnish | |
| 16 | 115 86 00-21 | 1 | Operator's Manual, Norwegian | |
| 16 | 115 86 00-26 | 1 | Operator's Manual, English | |
| 16 | 115 86 00-31 | 1 | Operator's Manual, French | |
| 16 | 115 86 00-36 | 1 | Operator's Manual, Dutch | |
| 16 | 115 86 00-41 | 1 | Operator's Manual, Italian | |
| 16 | 115 86 00-46 | 1 | Operator's Manual, Spanish | |
| 16 | 115 86 00-51 | 1 | Operator's Manual, German | |
| 16 | 115 86 00-58 | 1 | Operator's Manual, Hungarian | |
| 16 | 115 86 00-59 | 1 | Operator's Manual, Portuguese | |
| 16 | 115 86 00-61 | 1 | Operator's Manual, Polish | |
| 16 | 115 86 00-63 | 1 | Operator's Manual, Estonian | |
| 16 | 115 86 00-64 | 1 | Operator's Manual, Lettish | |
| 16 | 115 86 00-65 | 1 | Operator's Manual, Lithuanian | |
| 16 | 115 86 00-68 | 1 | Operator's Manual, Slovak | |
| 16 | 115 86 00-84 | 1 | Operator's Manual, Slovenian | |
| 16 | 115 86 00-90 | 1 | Operator's Manual, Czech | |
| 17 | 579 83 91-01 | 1 | Smart Quick Guide (R100LiC, R130LiC) | |
| 17 | 579 83 94-01 | 1 | Smart Quick Guide smart system Set 967049490 | |
| 17 | 115 84 40-01 | 1 | Quick Guide, Swedish | |
| 17 | 115 84 40-06 | 1 | Quick Guide, Danish | |
| 17 | 115 84 40-11 | 1 | Quick Guide, Finnish | |
| 17 | 115 84 40-21 | 1 | Quick Guide, Norwegian | |
| 17 | 115 84 40-26 | 1 | Quick Guide, English | |
| 17 | 115 84 40-31 | 1 | Quick Guide, French | |
| 17 | 115 84 40-36 | 1 | Quick Guide, Dutch | |
| 17 | 115 84 40-41 | 1 | Quick Guide, Italian | |
| 17 | 115 84 40-46 | 1 | Quick Guide, Spanish | |
| 17 | 115 84 40-51 | 1 | Quick Guide, German | |
| 17 | 115 84 40-58 | 1 | Quick Guide, Hungarian | |
| 17 | 115 84 40-59 | 1 | Quick Guide, Portuguese | |

| | | | | |
|----|-----------------|---|---|--|
| 17 | 115 84 40-61 | 1 | Quick Guide, Polish | |
| 17 | 115 84 40-63 | 1 | Quick Guide, Estonian | |
| 17 | 115 84 40-64 | 1 | Quick Guide, Lettish | |
| 17 | 115 84 40-65 | 1 | Quick Guide, Lithuanian | |
| 17 | 115 84 40-68 | 1 | Quick Guide, Slovak | |
| 17 | 115 84 40-84 | 1 | Quick Guide, Slovenian | |
| 17 | 115 84 40-90 | 1 | Quick Guide, Czech | |
| 18 | 967 10 49-01 | 1 | Boundary repair kit, 5m boundary wire, 6x connectors, 10x staples | |
| 18 | Gardena 4059-20 | 1 | Boundary repair kit, 5m boundary wire, 6x connectors, 10x staples | |

GARDENA SILENO, SILENO+ ACCESSORIES



PAGE I GARDENA SILENO, SILENO+ ACCESSORIES

| Position | Article | Quantity | Notes | Kit / Assy |
|-----------------|-----------------|-----------------|---|-------------------|
| 1 | 581 16 57-01 | 1 | Metal Insert Repair KIT 4 pcs | |
| 2 | 580 68 95-02 | 1 | Warranty Seal 1pcs | |
| 3 | 577 60 68-01 | 1 | Interruption Detector | |
| 4 | 588 40 84-01 | 1 | Quick Charger with Battery Test | |
| 5 | 588 20 26-01 | 1 | Cable Quick Charger | |
| 6 | 588 97 73-01 | 1 | Housing ASSY | |
| 7 | 501 11 82-01 | 1 | Lid ASSY | 6 |
| 8 | 585 32 40-04 | 1 | Handle Left | 6 |
| 9 | 585 32 41-01 | 1 | Rod | 6 |
| 10 | 580 51 14-01 | 2 | Spring | 6 |
| 11 | 585 34 16-01 | 1 | Beam | 6 |
| 12 | 575 54 33-14 | 9 | Screw | 6 |
| 13 | 585 34 15-01 | 2 | Hinge Pin | 6 |
| 14 | 585 32 40-03 | 1 | Handle Right | 6 |
| 15 | 585 32 36-01 | 1 | Hatch | 6 |
| 16 | 586 99 38-01 | 1 | Cover | 6 |
| 17 | 585 32 38-02 | 1 | Support Left | 6 |
| 18 | 503 22 66-01 | 4 | Square Nut | 6 |
| 19 | 575 23 86-01 | 1 | Screw KIT | 6 |
| 20 | 585 32 38-01 | 1 | Support Right | 6 |
| 21 | 535 12 93-03 | 4 | Screw | 6 |
| 22 | 115 82 03-01 | 1 | Technical Handbook -310, 315, Sileno: Swedish | |
| 22 | 115 82 03-06 | 1 | Technical Handbook -310, 315, Sileno: Danish | |
| 22 | 115 82 03-11 | 1 | Technical Handbook -310, 315, Sileno: Finnish | |
| 22 | 115 82 03-21 | 1 | Technical Handbook -310, 315, Sileno: Norwegian | |
| 22 | 115 82 03-26 | 1 | Technical Handbook -310, 315, Sileno: English | |
| 22 | 115 82 03-31 | 1 | Technical Handbook -310, 315, Sileno: French | |
| 22 | 115 82 03-36 | 1 | Technical Handbook -310, 315, Sileno: Dutch | |
| 22 | 115 82 03-41 | 1 | Technical Handbook -310, 315, Sileno: Italian | |
| 22 | 115 82 03-46 | 1 | Technical Handbook -310, 315, Sileno: Spanish | |
| 22 | 115 82 03-51 | 1 | Technical Handbook -310, 315, Sileno: German | |
| 22 | 115 82 03-56 | 1 | Technical Handbook -310, 315, Sileno: Russian | |
| 22 | 115 82 03-58 | 1 | Technical Handbook -310, 315, Sileno: Hungarian | |
| 22 | 115 82 03-59 | 1 | Technical Handbook -310, 315, Sileno: Portuguese | |
| 22 | 115 82 03-61 | 1 | Technical Handbook -310, 315, Sileno: Polish | |
| 22 | 115 82 03-62 | 1 | Technical Handbook -310, 315, Sileno: Romanian | |
| 22 | 115 82 03-63 | 1 | Technical Handbook -310, 315, Sileno: Estonian | |
| 22 | 115 82 03-64 | 1 | Technical Handbook -310, 315, Sileno: Latvian | |
| 22 | 115 82 03-65 | 1 | Technical Handbook -310, 315, Sileno: Lithuanian | |
| 22 | 115 82 03-68 | 1 | Technical Handbook -310, 315, Sileno: Slovakian | |
| 22 | 115 82 03-71 | 1 | Technical Handbook -310, 315, Sileno: Greek | |
| 22 | 115 82 03-76 | 1 | Technical Handbook -310, 315, Sileno: Turkish | |
| 22 | 115 82 03-79 | 1 | Technical Handbook -310, 315, Sileno: Japanese | |
| 22 | 115 82 03-81 | 1 | Technical Handbook -310, 315, Sileno: Croatian | |
| 22 | 115 82 03-84 | 1 | Technical Handbook -310, 315, Sileno: Slovenian | |
| 22 | 115 82 03-90 | 1 | Technical Handbook -310, 315, Sileno: Czech | |
| 22 | 115 82 03-96 | 1 | Technical Handbook -310, 315, Sileno: Spanish (USA) | |
| 23 | 967 10 46-01 | 1 | WALL HANGER | |
| 23 | Gardena 4042-20 | 1 | WALL HANGER | |
| 24 | 967 10 45-01 | 1 | Cable Connector Protection | |
| 24 | Gardena 4056-20 | 1 | Cable Connector Protector | |