



IPL, Gardena Robotic Lawn Mower 2018-01, 593 16 12-01

GARDENA® Robotic Lawn Mower

SILENO city

2018

Spare parts

Ersatzteile

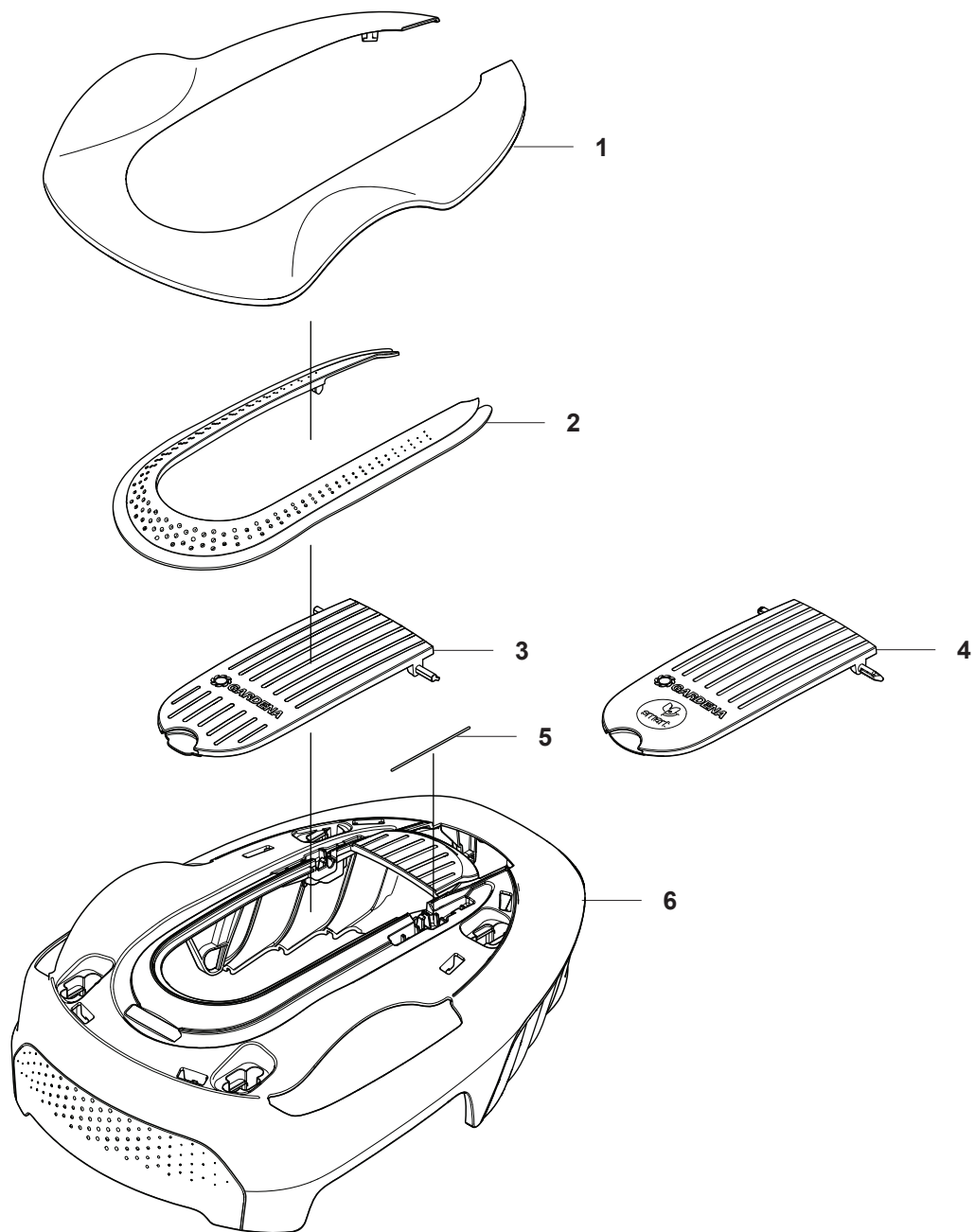
Pièces détachées

Reserve onderdelen

Repuestos

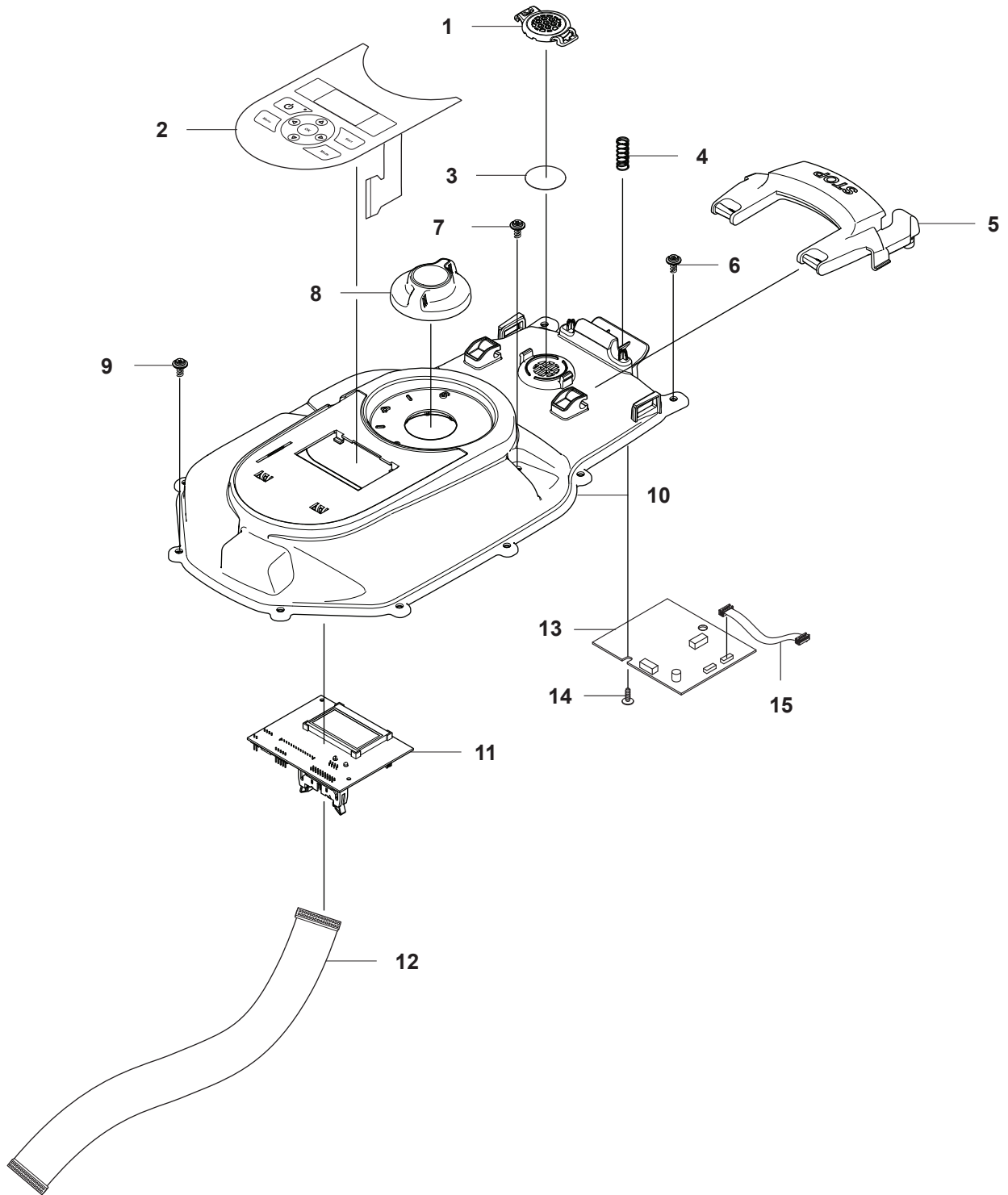
Reservdelar

A GARDENA SILENO city
BODY



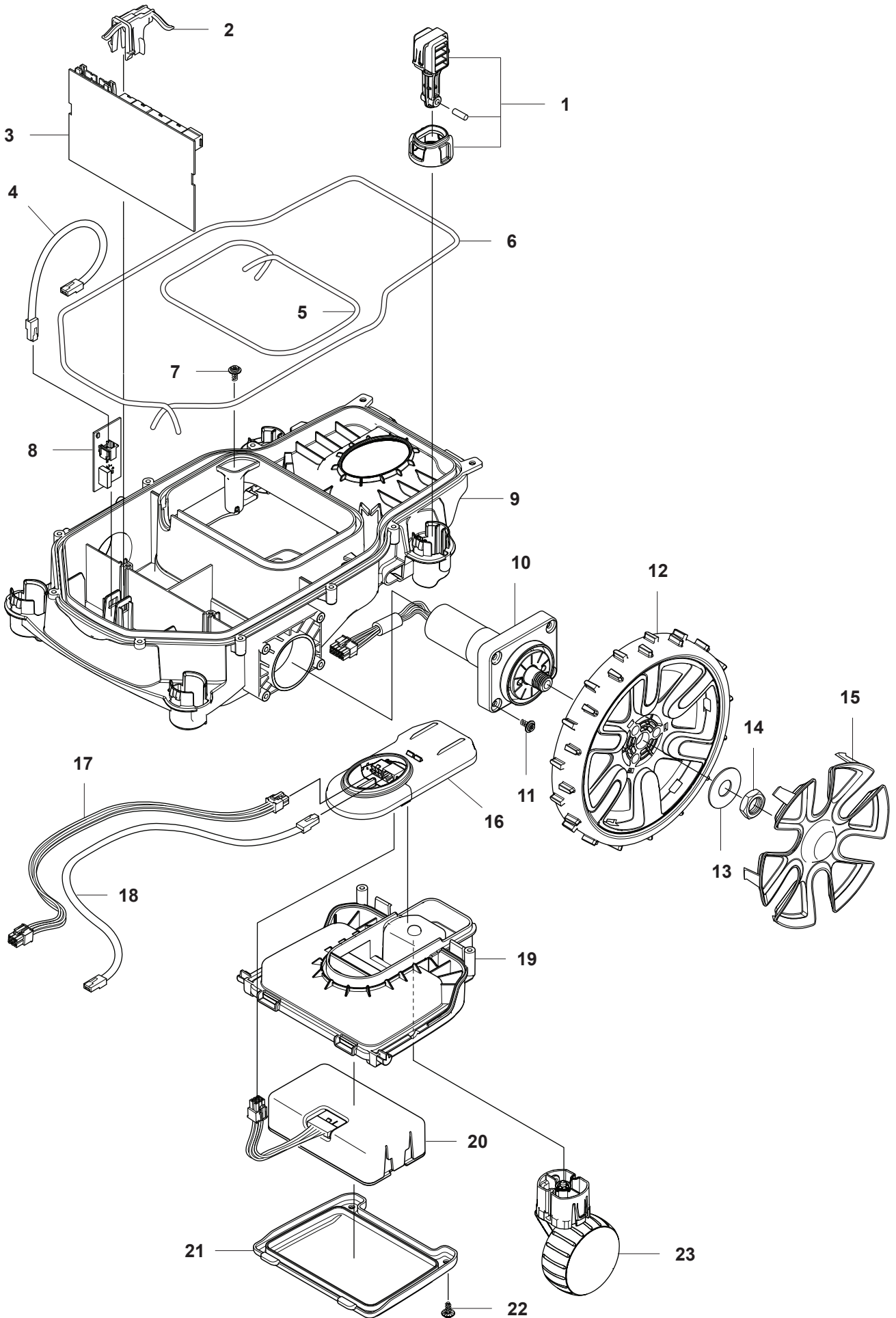
| PAGE A GARDENA SILENO city BODY | | | | |
|---------------------------------|--------------|----------|-----------------|------------|
| Position | Article | Quantity | Notes | Kit / Assy |
| 1 | 582 82 45-01 | 1 | Cover top | |
| 2 | 582 91 65-01 | 1 | Frame | |
| 3 | 582 84 42-01 | 1 | Hatch | |
| 4 | 593 34 86-01 | 1 | Hatch HMI Smart | |
| 5 | 588 47 02-01 | 2 | Spring | |
| 6 | 591 44 45-01 | 1 | Body assy | |

B GARDENA SILENO city
CHASSIS UPPER



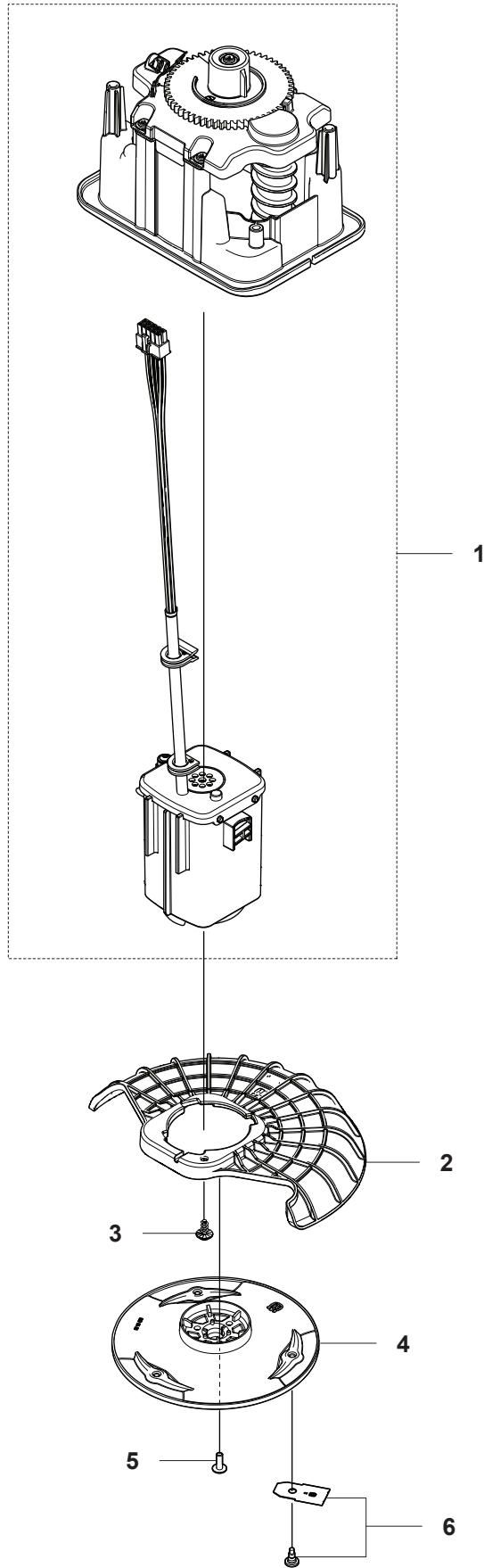
| PAGE B GARDENA SILENO city CHASSIS UPPER | | | | |
|--|--------------|----------|----------------------|------------|
| Position | Article | Quantity | Notes | Kit / Assy |
| 1 | 586 03 89-01 | 1 | Cover Air filter | |
| 2 | 583 79 10-01 | 1 | Key Board | |
| 3 | 576 92 15-01 | 1 | Air filter | |
| 4 | 576 24 22-01 | 2 | Spring | |
| 5 | 591 45 25-01 | 1 | Button assy | |
| 6 | 574 45 01-01 | 2 | Screw | |
| 7 | 574 45 01-01 | 2 | Screw | |
| 8 | 587 98 65-01 | 1 | Knob | |
| 9 | 574 45 01-01 | 8 | Screw | |
| 10 | 582 82 41-02 | 1 | Chassis Upper | |
| 11 | 592 91 00-01 | 1 | Printed Circuit Assy | |
| 12 | 590 11 06-01 | 2 | Cable assy | |
| 13 | 588 13 62-03 | 1 | PCBA smart system | |
| 14 | 574 45 01-01 | 2 | Screw | |
| 15 | 579 70 86-01 | 1 | AUX Cable | |

C GARDENA SILENO city
CHASSIS LOWER



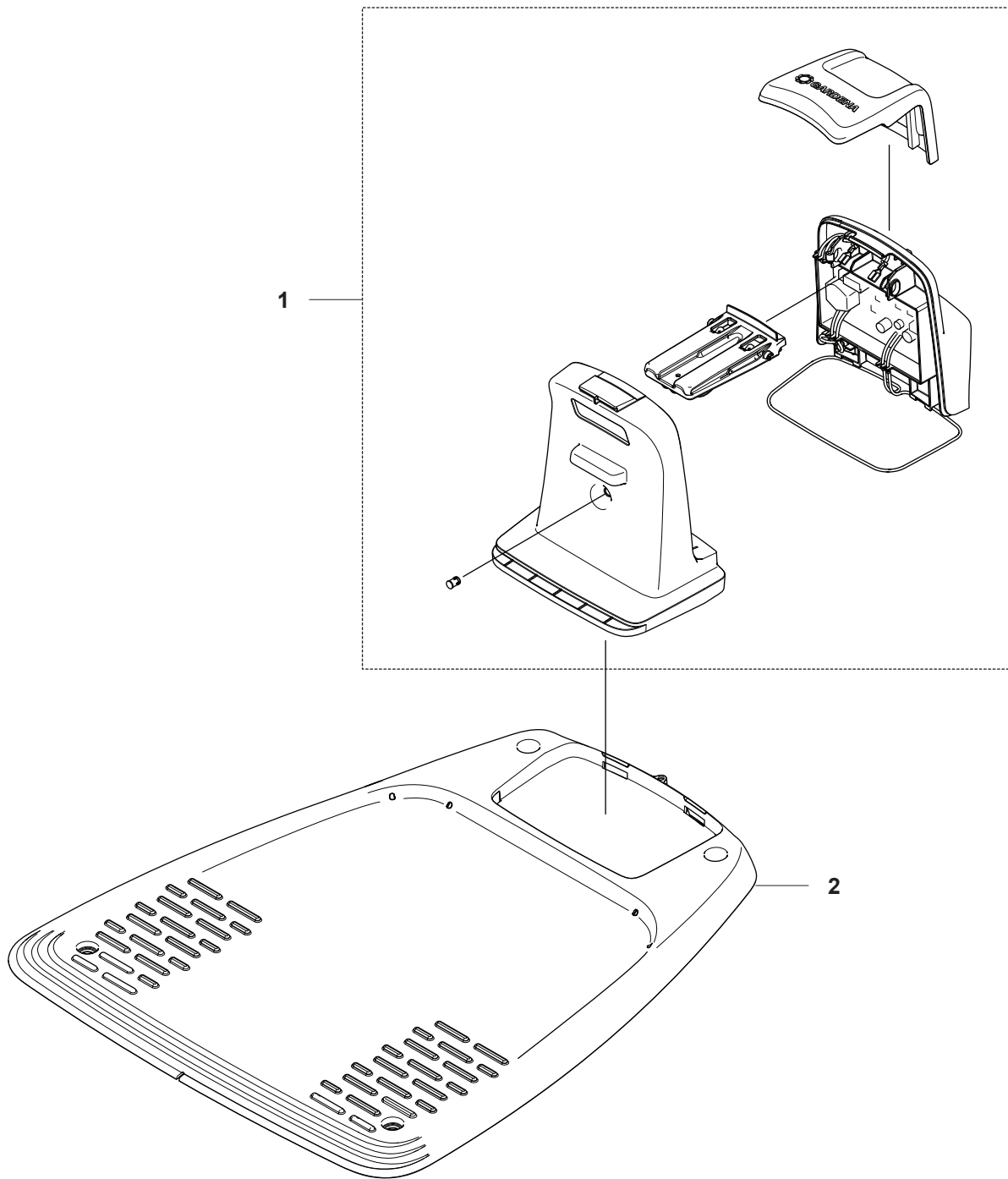
| PAGE C GARDENA SILENO city CHASSIS LOWER | | | | |
|--|--------------|----------|---|------------|
| Position | Article | Quantity | Notes | Kit / Assy |
| 1 | 590 77 07-01 | 4 | Column assy | |
| 2 | 591 47 42-01 | 1 | Clip PCB | |
| 3 | 592 90 99-01 | 1 | Printed curcuit assy | |
| 4 | 589 35 08-01 | 1 | Wiring assy | |
| 5 | 574 87 47-11 | 1 | Sealing strip 10 pcs Cutting system | |
| 6 | 574 87 47-10 | 1 | Sealing strip 10 pcs Chassis lower | |
| 6 | 593 26 57-01 | 1 | Seal KIT incl. Sealing Strip Chassis (1 pcs), Sealing Strip Short (1 pcs), Air Filter (1 pcs) | |
| 7 | 574 45 01-01 | 2 | Screw | |
| 8 | 592 90 98-01 | 1 | Printed curcuit assy | |
| 9 | 582 82 40-01 | 1 | Chassis Lower | |
| 10 | 587 44 94-02 | 2 | Motor Assy | |
| 11 | 574 45 01-01 | 8 | Screw | |
| 12 | 590 58 71-01 | 2 | Wheel | |
| 13 | 586 21 06-01 | 2 | Washer | |
| 14 | 731 43 24-01 | 2 | Nut | |
| 15 | 590 66 02-01 | 2 | Hub cap | |
| 16 | 593 09 46-01 | 1 | Sensor Assy 593094601Elrad/589624601 AYC | |
| 17 | 589 35 11-01 | 1 | Wiring assy Charging cable | |
| 18 | 589 35 10-01 | 1 | Wiring assy | |
| 19 | 582 82 46-01 | 1 | Housing module | |
| 20 | 592 96 83-01 | 1 | Battery | |
| 21 | 582 82 49-01 | 1 | Cover Battery | |
| 22 | 574 45 01-01 | 2 | Screw | |
| 23 | 589 30 08-01 | 1 | Wheel assy spindle | |

D GARDENA SILENO city
BLADE MOTOR & CUTTING EQUIPMENT



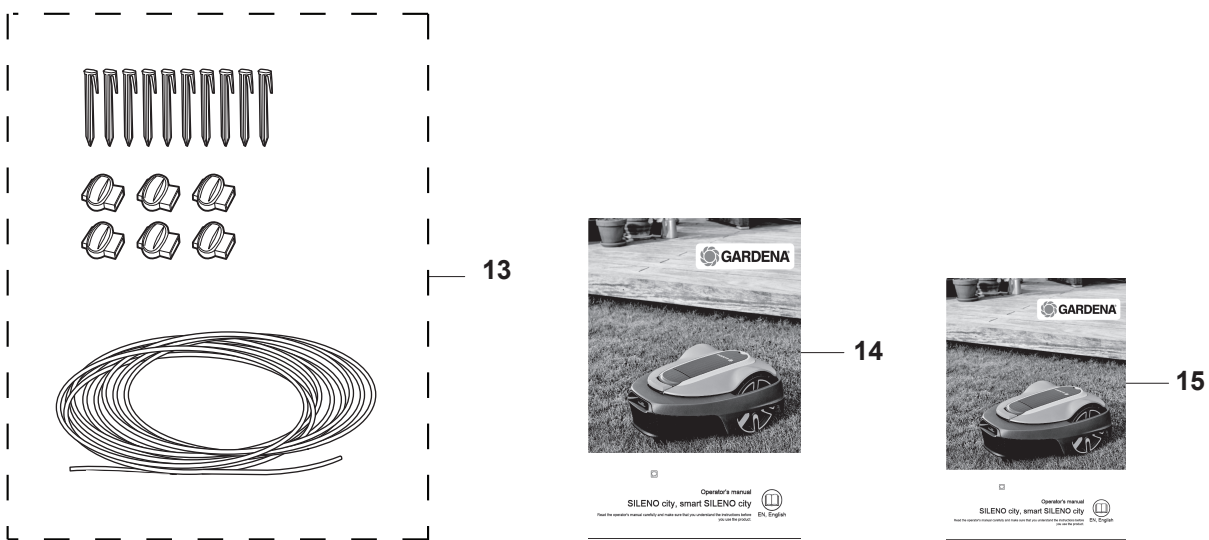
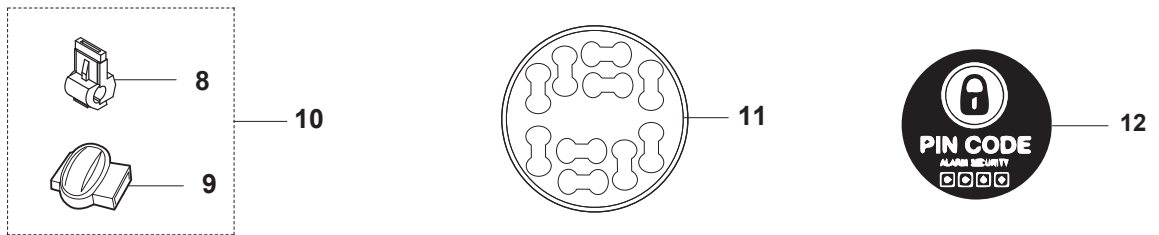
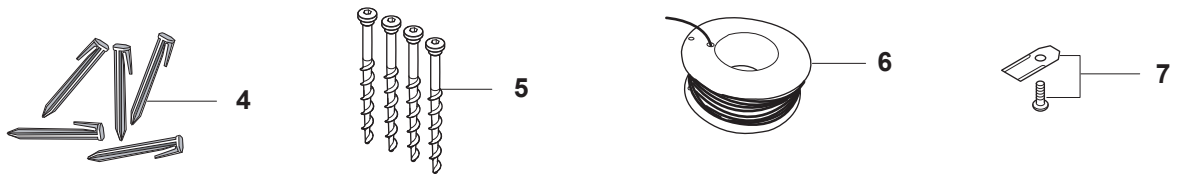
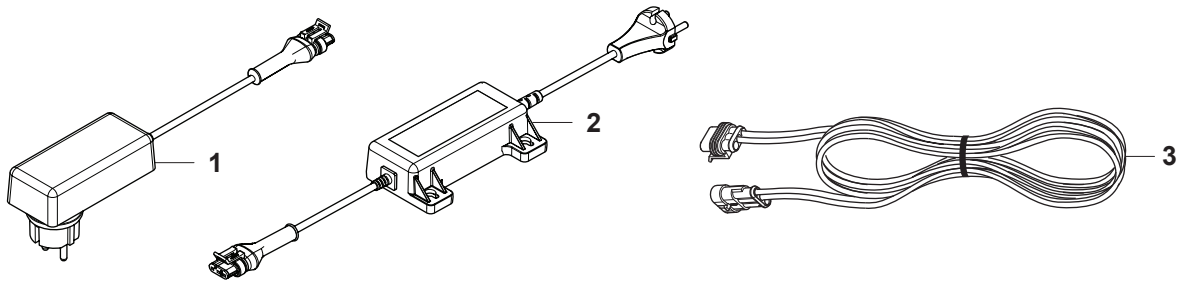
| Position | Article | Quantity | Notes | Kit / Assy |
|----------|-----------------|----------|--------------------------------------|------------|
| 1 | 593 82 14-01 | 1 | Cutting system | |
| 2 | 589 35 07-01 | 1 | Guard | |
| 3 | 574 45 01-01 | 1 | Screw | |
| 4 | 589 34 68-01 | 1 | Cutting disc | |
| 5 | 590 50 87-01 | 3 | Screw | |
| 6 | 966 80 95-01 | 1 | Blades (9 pcs), Gardena Blister Pack | |
| 6 | Gardena 4087-20 | 1 | Blades (9 pcs), Gardena Blister Pack | |

E GARDENA SILENO city
CHARGING STATION



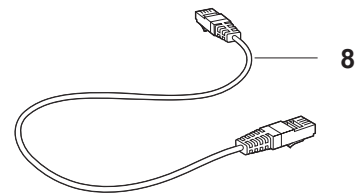
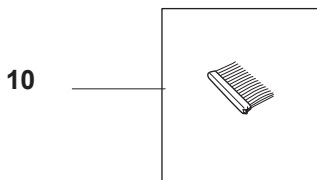
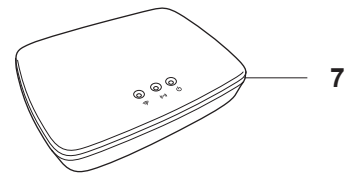
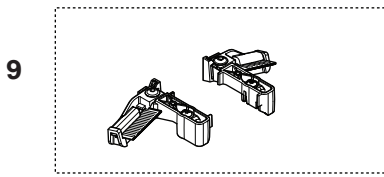
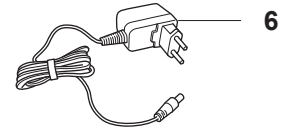
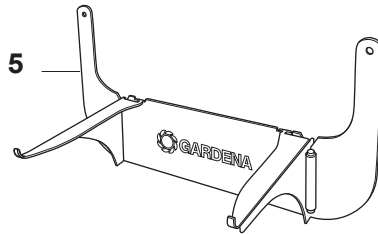
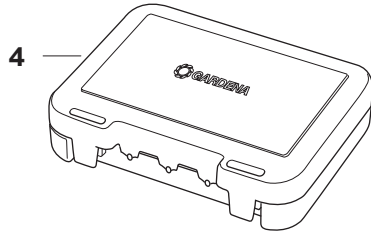
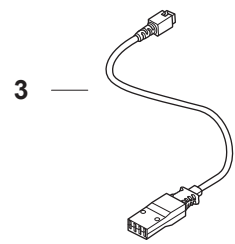
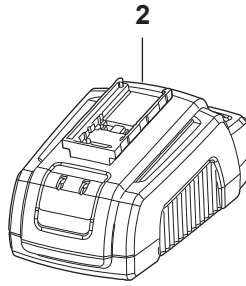
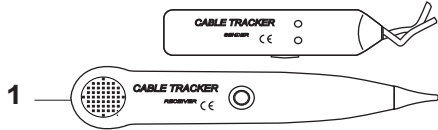
| Position | Article | Quantity | Notes | Kit / Assy |
|----------|--------------|----------|-----------------------------|------------|
| 1 | 593 31 77-01 | 1 | Charging Station Tower assy | |
| 2 | 582 78 43-01 | 1 | Plate | |

F GARDENA SILENO city INSTALLATION ACCESSORIES

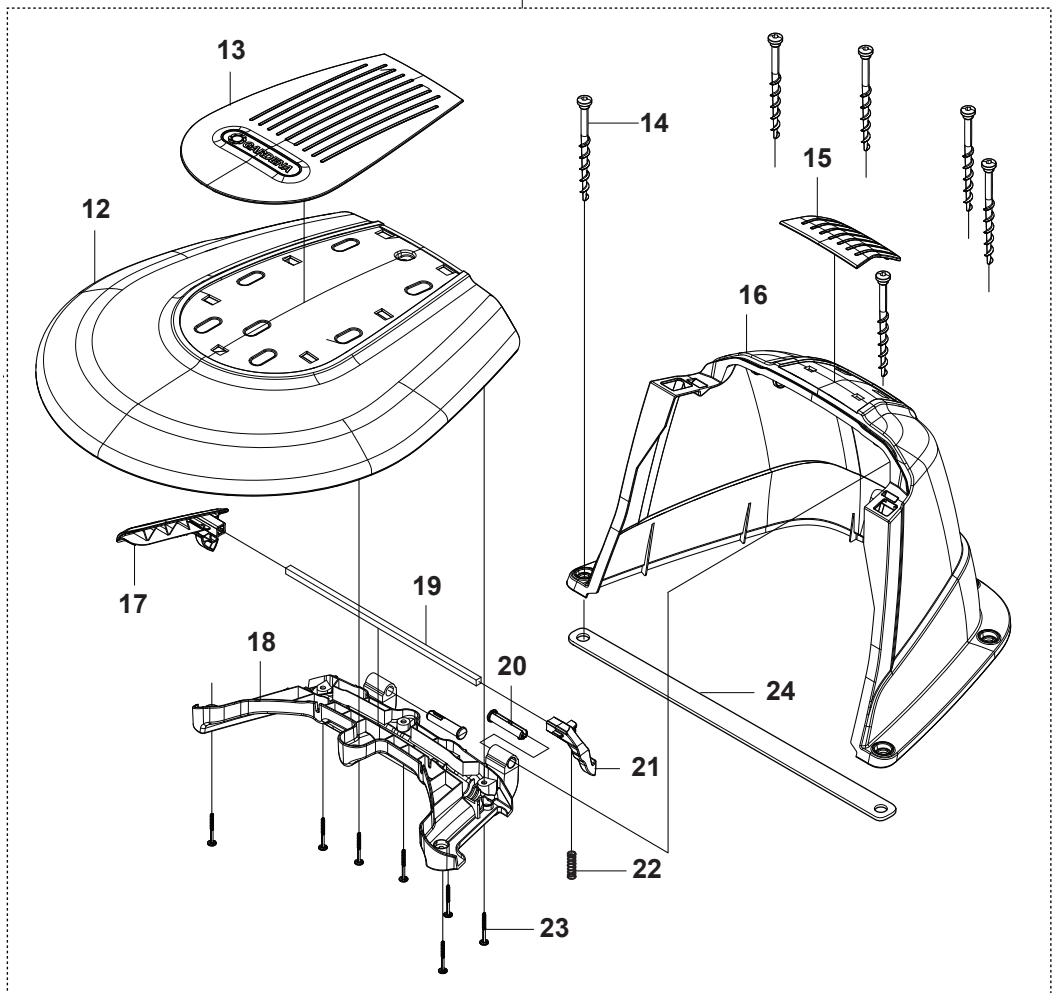
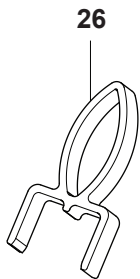
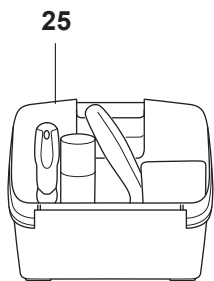


| PAGE F GARDENA SILENO city INSTALLATION ACCESSORIES | | | | |
|---|-----------------|----------|---|------------|
| Position | Article | Quantity | Notes | Kit / Assy |
| 1 | 593 16 36-01 | 1 | Power Supply Unit, EU | |
| 2 | 590 44 22-02 | 1 | Power Supply Unit, UK | |
| 2 | 590 44 22-03 | 1 | Power Supply Unit, Switzerland | |
| 3 | 579 82 51-01 | 1 | Low Voltage Cable (20 m) | |
| 3 | 579 82 51-02 | 1 | Low Voltage Cable (10 m) | |
| 3 | 579 82 51-03 | 1 | Low Voltage Cable (3 m) | |
| 3 | 579 82 51-04 | 1 | Low Voltage Cable (5 m) | |
| 4 | 966 80 98-01 | 1 | Staples (100 pcs), Gardena Blister Pack | |
| 4 | Gardena 4090-20 | 1 | Staples (100 pcs), Gardena Blister Pack | |
| 5 | 575 23 86-06 | 1 | Anchor Screw (4 pcs) incl. Allen Key | |
| 6 | 967 10 48-01 | 1 | Loop Wire 50 m, Gardena Blister Pack | |
| 6 | Gardena 4058-20 | 1 | Loop Wire 50 m, Gardena Blister Pack | |
| 6 | 966 80 96-01 | 1 | Loop Wire (150 m), Gardena Blister Pack | |
| 6 | Gardena 4088-20 | 1 | Loop Wire (150 m), Gardena Blister Pack | |
| 6 | 580 66 20-03 | 1 | Loop Wire (200 m) | |
| 6 | 580 66 20-01 | 1 | Loop Wire (250 m) | |
| 6 | 580 66 20-04 | | Loop Wire (800 m) | |
| 7 | 966 80 95-01 | 1 | Blades (9 pcs), Gardena Blister Pack | |
| 7 | Gardena 4087-20 | 1 | Blades (9 pcs), Gardena Blister Pack | |
| 7 | 577 86 46-03 | 1 | Long Life - Safety Blade,Husqvarna Blister Pack, 9 pcs | |
| 7 | 577 60 65-05 | 1 | Long Life - Safety Blade, 45 pcs | |
| 7 | 577 60 66-04 | 1 | Long Life - Safety Blade, 300 pcs | |
| 8 | 535 12 90-01 | 1 | Loop Wire Connector (1pcs) | 10 |
| 8 | 535 12 90-02 | 1 | Loop Wire Connector (100pcs) | |
| 9 | 501 98 02-01 | 1 | Coupler (1pcs) | 10 |
| 9 | 501 98 02-02 | 1 | Coupler KIT (50pcs) | |
| 10 | 966 80 97-01 | 1 | 2 Connectors+6 Couplers, Gardena Blister Pack | |
| 10 | Gardena 4089-20 | 1 | 2 Connectors+6 Couplers, Gardena Blister Pack | |
| 10 | 579 04 81-01 | 1 | 5 Connectors+5 Couplers | |
| 11 | 586 27 79-01 | 1 | Sticker, Cable Markers (10 pcs) | |
| 12 | 502 40 53-01 | 1 | Label, Anti-Theft | |
| 13 | 967 10 49-01 | 1 | Boundary repair kit, 5m boundary wire, 6x connectors, 10x staples | |
| 13 | Gardena 4059-20 | 1 | Boundary repair kit, 5m boundary wire, 6x connectors, 10x staples | |
| 14 | 115 89 45-01 | 1 | Operator's Manual, Swedish | |
| 14 | 115 89 45-06 | 1 | Operator's Manual, Danish | |
| 14 | 115 89 45-11 | 1 | Operator's Manual, Finnish | |
| 14 | 115 89 45-21 | 1 | Operator's Manual, Norwegian | |
| 14 | 115 89 45-26 | 1 | Operator's Manual, English | |
| 14 | 115 89 45-31 | 1 | Operator's Manual, French | |
| 14 | 115 89 45-36 | 1 | Operator's Manual, Dutch | |
| 14 | 115 89 45-41 | 1 | Operator's Manual, Italian | |
| 14 | 115 89 45-46 | 1 | Operator's Manual, Spanish | |
| 14 | 115 89 45-51 | 1 | Operator's Manual, German | |
| 14 | 115 89 45-58 | 1 | Operator's Manual, Hungarian | |
| 14 | 115 89 45-59 | 1 | Operator's Manual, Portuguese | |
| 14 | 115 89 45-60 | 1 | Operator's Manual, Bulgarian | |
| 14 | 115 89 45-61 | 1 | Operator's Manual, Polish | |
| 14 | 115 89 45-68 | 1 | Operator's Manual, Slovakian | |
| 14 | 115 89 45-84 | 1 | Operator's Manual, Slovenian | |
| 14 | 115 89 45-90 | 1 | Operator's Manual, Czech | |
| 15 | 115 89 46-01 | 1 | Quick Guide, Swedish | |
| 15 | 115 89 46-06 | 1 | Quick Guide, Danish | |
| 15 | 115 89 46-11 | 1 | Quick Guide, Finnish | |
| 15 | 115 89 46-21 | 1 | Quick Guide, Norwegian | |
| 15 | 115 89 46-26 | 1 | Quick Guide, English | |
| 15 | 115 89 46-31 | 1 | Quick Guide, French | |
| 15 | 115 89 46-36 | 1 | Quick Guide, Dutch | |
| 15 | 115 89 46-41 | 1 | Quick Guide, Italian | |
| 15 | 115 89 46-46 | 1 | Quick Guide, Spanish | |
| 15 | 115 89 46-51 | 1 | Quick Guide, German | |
| 15 | 115 89 46-58 | 1 | Quick Guide, Hungarian | |
| 15 | 115 89 46-59 | 1 | Quick Guide, Portuguese | |
| 15 | 115 89 46-61 | 1 | Quick Guide, Bulgarian | |
| 15 | 115 89 46-61 | 1 | Quick Guide, Polish | |
| 15 | 115 89 46-68 | 1 | Quick Guide, Slovakian | |
| 15 | 115 89 46-84 | 1 | Quick Guide, Slovenian | |
| 15 | 115 89 46-90 | 1 | Quick Guide, Czech | |

G GARDENA SILENO city ACCESSORIES



11



| Page G GARDENA SILENO city ACCESSORIES | | | | |
|--|-----------------|----------|--------------------------------------|------------|
| Position | Article | Quantity | Notes | Kit / Assy |
| 1 | 577 60 68-01 | 1 | Loop Wire Interruption Detector | |
| 2 | 588 40 84-01 | 1 | Quick Charger with Battery Test | |
| 3 | 588 20 26-01 | 1 | Cable Quick Charger | |
| 4 | 967 10 45-01 | 1 | Cable Connector Protection | |
| 4 | Gardena 4056-20 | 1 | Cable Connector Protection | |
| 5 | 592 61 66-01 | 1 | WALL HANGER | |
| 5 | Gardena 4045-20 | 1 | WALL HANGER | |
| 6 | 589 20 95-01 | 1 | Power Supply, Gardena smart system | |
| 7 | 588 98 66-01 | 1 | Gateway, Gardena smart system | |
| 8 | 501 65 70-01 | 1 | LAN Cable, Gardena smart system | |
| 9 | 592 61 58-01 | 1 | Brush kit | |
| 10 | 593 37 37-01 | 1 | 4x Brush refill kit | |
| 11 | 586 80 17-01 | 1 | Gardena Housing | |
| 12 | 587 91 63-01 | 1 | Cover KIT Base | 11 |
| 13 | 587 91 64-01 | 1 | Cover KIT Lid | 11 |
| 14 | 586 69 44-01 | 1 | Cover Front Insert | 11 |
| 15 | 586 69 46-01 | 1 | Cover Rear Insert | 11 |
| 16 | 586 69 42-01 | 1 | Beam Hinge | 11 |
| 17 | 586 69 47-01 | 1 | Handle Left | 11 |
| 18 | 585 32 41-02 | 1 | Steel Rod | 11 |
| 19 | 586 69 48-01 | 1 | Latch Right | 11 |
| 20 | 585 34 15-01 | 2 | Hinge Pin | 11 |
| 21 | 575 54 33-14 | 8 | Screw | 11 |
| 22 | 575 23 86-01 | 1 | Screw KIT | 11 |
| 23 | 580 51 14-01 | 1 | Spring Cap | 11 |
| 24 | 590 87 81-01 | 1 | Support house | |
| 25 | 967 10 43-01 | 1 | Cleaning and Maintenance kit Gardena | |
| 25 | 4067-20 | 1 | Cleaning and Maintenance kit Gardena | |
| 26 | 593 21 56-01 | 1 | Fork tool | |