

Quick guide

SILENO city, smart SILENO city
SILENO life, smart SILENO life



gardena.com



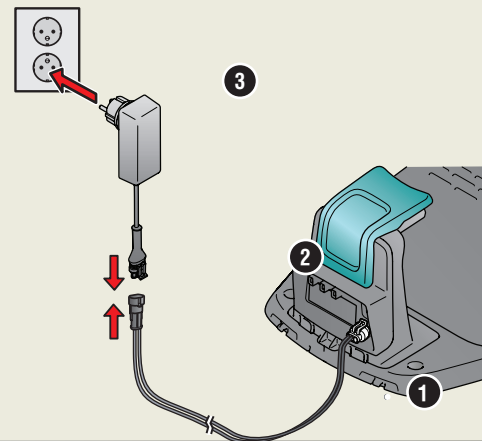
GETTING STARTED WITH THE GARDENA ROBOTIC LAWNMOWER

1. Installing the charging station

See chapters 3.3.1 and 3.4.1 in the supplied operator's manual or on the GARDENA website (www.gardena.com).

1. Place the charging station on a flat, level surface where there is open space.
2. Connect the low voltage cable to the charging station and the power supply.
3. Connect the power supply to a 100-240 V wall socket.
4. Press the **ON/OFF** button to turn the product on. Place the product in the charging station to charge the battery while the boundary wire is laid.

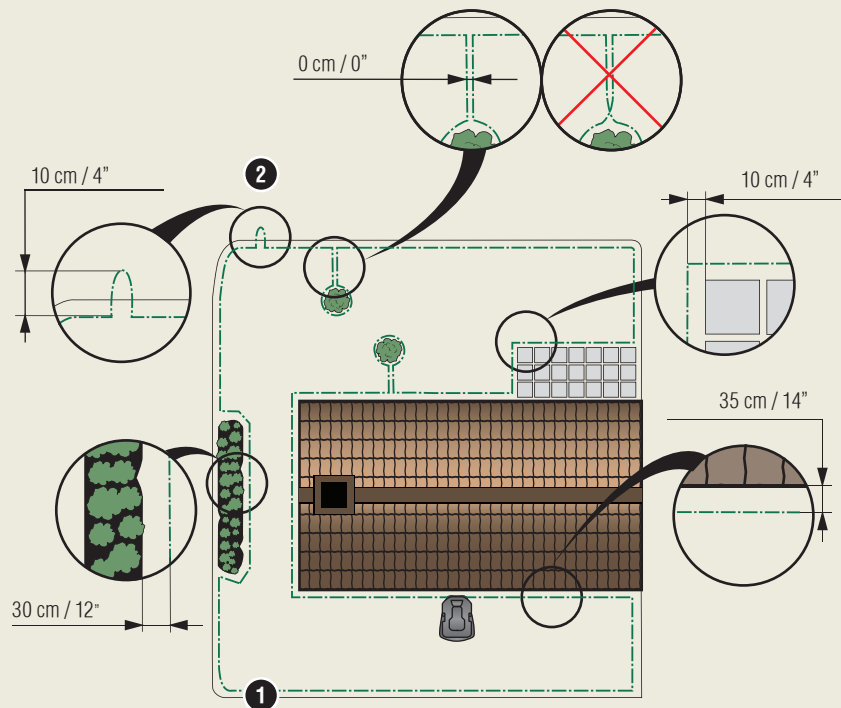
NOTE: Do not continue with any product settings before the installation is complete (1-4).



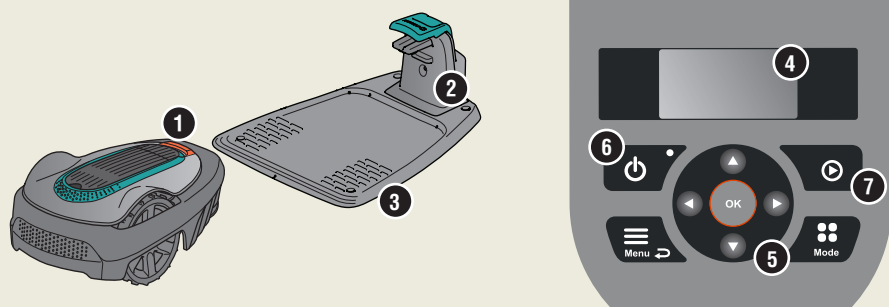
2. Laying the boundary wire

See chapter 3.3.3 in the supplied operator's manual or on the GARDENA website (www.gardena.com).

1. Lay the boundary wire so that it forms a loop around the whole work area.
2. Make an eyelet at the point on the boundary wire where the guide wire is later connected.



1. STOP button
2. LED for function check of the boundary and guide wires
3. Charging station
4. Display
5. Keypad
6. ON/OFF button
7. Start button



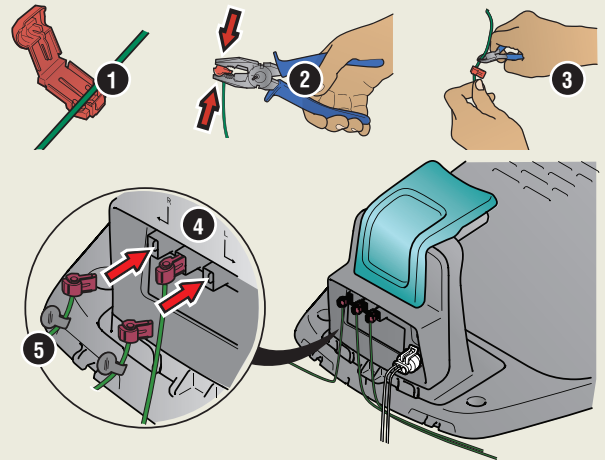


3. Connecting the boundary wire

See chapter 3.4.2 in the supplied operator's manual or on the GARDENA website (www.gardena.com).

1. Open the connector and lay the boundary wire in the connector.
2. Press the connector and the wire together by using a pair of pliers.
3. Cut off the wire 1 to 2 cm after the connectors.
4. Press the boundary wire connectors onto the contact pins marked L (left) and R (right) on the charging station.

NOTE: The right-hand wire must be connected to the right-hand contact pin on the charging station, and the left-hand wire to the left-hand pin.



4. Laying and connecting the guide wire

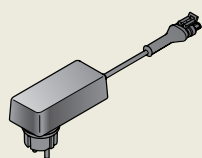
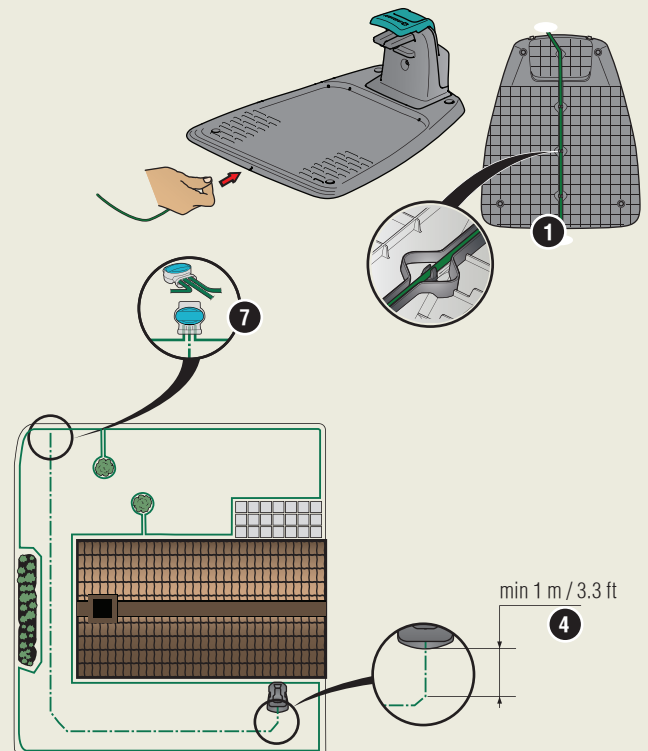
See chapter 3.3.4 and 3.4.3 in the supplied operator's manual or on the GARDENA website (www.gardena.com).

1. Fasten the guide wire in snap locks at the bottom of the charging station.
2. Fit the connector to the guide wire in the same way as for the boundary wire, according to the instructions above.
3. Press the guide wire connector onto the contact pin marked Guide on the charging station.
4. Pull the guide wire a minimum of 1 meter straight out from the front edge of the charging station.
5. Lay the guide wire from the charging station to the point on the boundary wire (eyelet) where the connection is made.

NOTE: Do not lay the guide wire at an acute angle.

6. Cut the boundary wire at the centre of the eyelet that was made in step 2.2.
7. Connect the guide wire to the boundary wire by inserting the boundary wires and guide wire in the coupler, and pressing the coupler together with a multi-grip pliers.

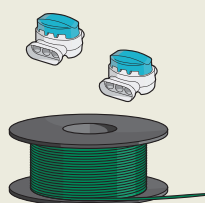
„As a complement to this Quick Guide. There are step by step installation movies available on the GARDENA website, www.gardena.com.“



Power supply
(the appearance of the power supply may differ depending on market)



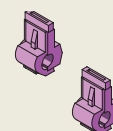
Low voltage cable



Boundary wire and couplers



Pegs



Connectors



Measurement gauge



5. Starting and stopping the product

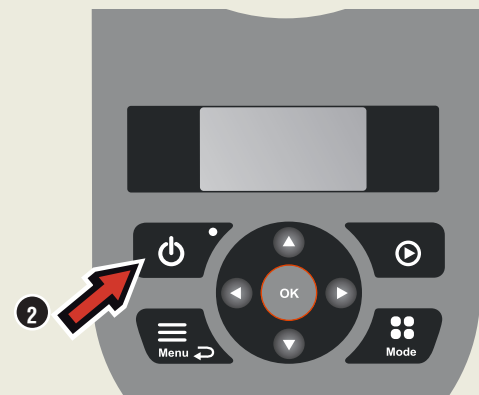
See chapters 4.2 and 4.4 in the supplied operator's manual or on the GARDENA website (www.gardena.com).

To start the product

1. Open the hatch to the keypad.
2. Press the **ON/OFF** button. The display is lit up.
NOTE: The first time, a start-up sequence begins where, for example, a four-digit PIN code is chosen.
3. Enter the PIN code by using the **up/down arrow keys**, and press the **OK** button.

To stop the product

1. Press the **STOP** button.



6. Changing the settings of the product

See chapter 3.10 in the supplied operator's manual or on the GARDENA website (www.gardena.com).

All settings for the product are done via the menu functions.
Read the operator's manual and become familiar with the menus and settings.

Adjust the settings to suit the size of your lawn

Adjust the mowing time to suit your garden by using the *Schedule* function. If the product is allowed to mow too often, the lawn may appear flattened.

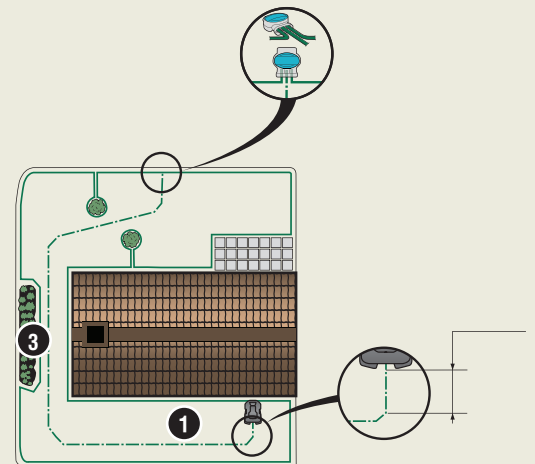
Schedule

Use the scheduling wizard to set a suitable schedule depending on the size of the lawn. If you want to change the schedule settings for individual days use the *Schedule - Advanced* menu.

Test run the product through narrow passages

Narrow passages in the garden can make it difficult for the mower to find the charging station. Use the *Test* function to test that the product can travel through the narrow passage.

1. Place the product in the charging station.
2. Select *Test* in the menu (*Settings > Lawn coverage > More > Test*) and press **OK**.
Then press the **Start** button and close the hatch.
3. Check that the product follows the guide wire through the passage.
 - a. If the product runs through the passage, the test is complete.
 - b. If the product does not get through the passage: Check that the guide wire has been laid according to the instructions in chapter 3.3.4 in the operator's manual.



www.gardena.com

 **GARDENA®**

114 05 87-26



2018-12-05

The right to make changes without prior notice is reserved.
Copyright © 2018 GARDENA Manufacturing GmbH. All rights reserved.
www.gardena.com