

# Quick guide

SILENO minimo



[gardena.com](http://gardena.com)

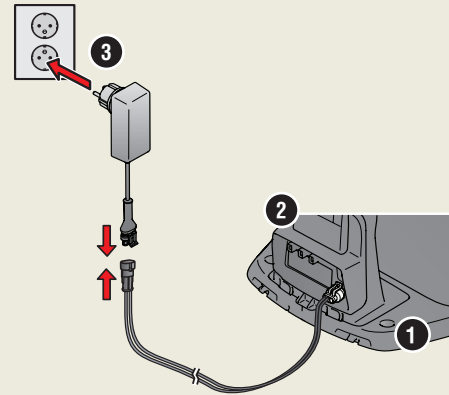


# GETTING STARTED WITH THE GARDENA ROBOTIC LAWN MOWER

For more information and instructions, please read the complete supplied Operator's manual or visit [www.gardena.com](http://www.gardena.com). Installation support videos can be found on [www.gardena.com](http://www.gardena.com).

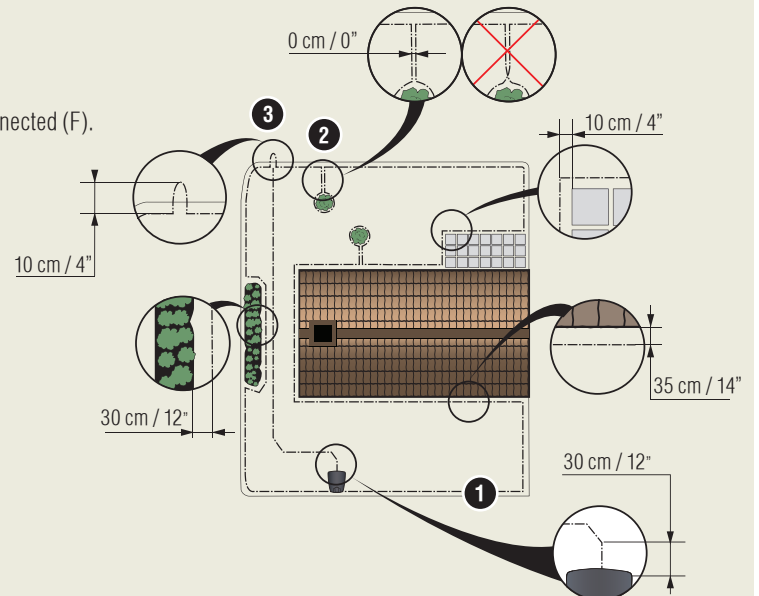
## 1. To install the charging station

- Place the charging station on a flat level surface where there is open space.  
**NOTE:** To place the charging station in a limited space or in a corner, please read the Operator's manual.
  - Connect the low voltage cable to the charging station and the power supply.
  - If outdoor, put the power supply at a minimum height of 30 cm / 12 in from the ground.
  - Connect the power supply to a 100-240 V wall socket.
  - Place the robotic lawn mower in the charging station.
  - Push the **ON/OFF** button to switch on the robotic lawn mower and to charge the battery while the boundary wire is laid.
- NOTE:** Do not continue with any product settings before the installation is complete.

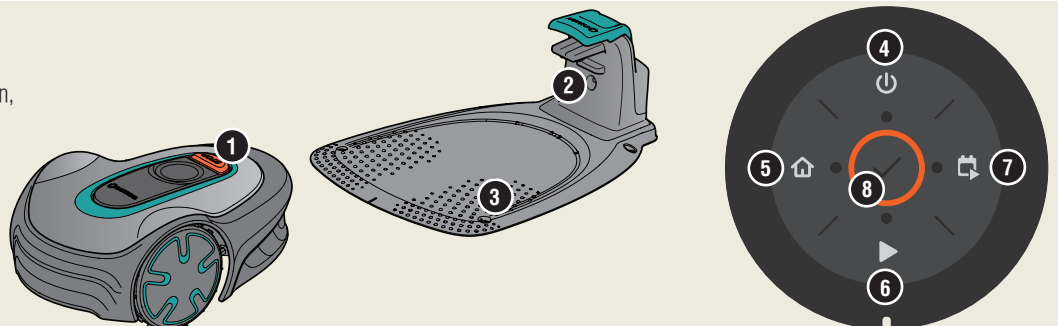


## 2. To install the boundary wire

- Lay the boundary wire so that it forms a loop around the whole work area using stakes supplied or bury the wire.  
**NOTE:** Do not lay the boundary wire in sharp bends.
- Adapt the distance between the boundary wire and different objects.
  - Lay the boundary wire around all work area in a loop.
  - High obstacles > 3.5 cm / 1.4 in e.g. wall or fence.
  - Low obstacles 1-3.5 cm / 0.4-1.4 in. or a dropped edge e.g. flower bed.
  - Objects level with the lawn 0-1 cm / 0.4 in e.g. path, paving stones.
  - Make an island to isolate areas.
- Make an eyelet at the point on the boundary wire where the guide wire is later connected (F).
- To handle slopes, passages and secondary areas, refer to the Operator's manual.



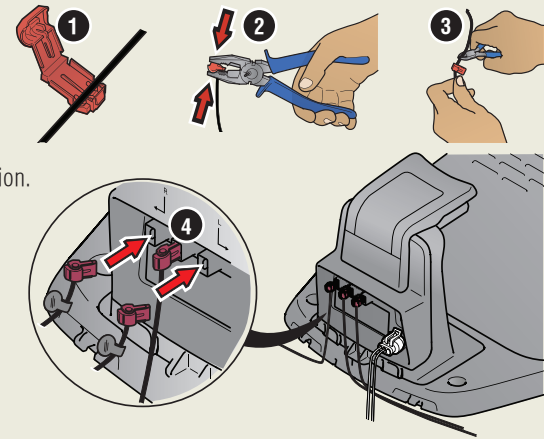
- STOP button
- LED for function check of the charging station, boundary and guide wires
- Charging station
- ON/OFF button
- Park button
- Start button
- Start/Schedule button
- OK button



### 3. To connect the boundary wire

1. Open the connector and lay the boundary wire in the connector.
2. Press the connector and the wire together by using a pair of pliers.
3. Cut off the wire 1-2 cm / 0.4-0.8 in. after the connectors.
4. Press the boundary wire connectors onto the contact pins marked L (left) and R (right) on the charging station.

**NOTE:** The right-hand wire must be connected to the right-hand contact pin on the charging station, and the left-hand wire to the left-hand pin.



### 4. To install and connect the guide wire

Install a guide wire to lead the robotic lawn mower to remote parts of the lawn and to help it to find the charging station.

1. Push the guide wire through the bottom of the charging station and fasten it into place using the snap locks.
2. Fit the connector to the guide wire in the same way as for the boundary wire, according to the instructions above.
3. Press the guide wire connector onto the contact pin marked GUIDE on the charging station.
4. Pull the guide wire a minimum of 1 m / 3.3 ft. straight out from the front edge of the charging station.

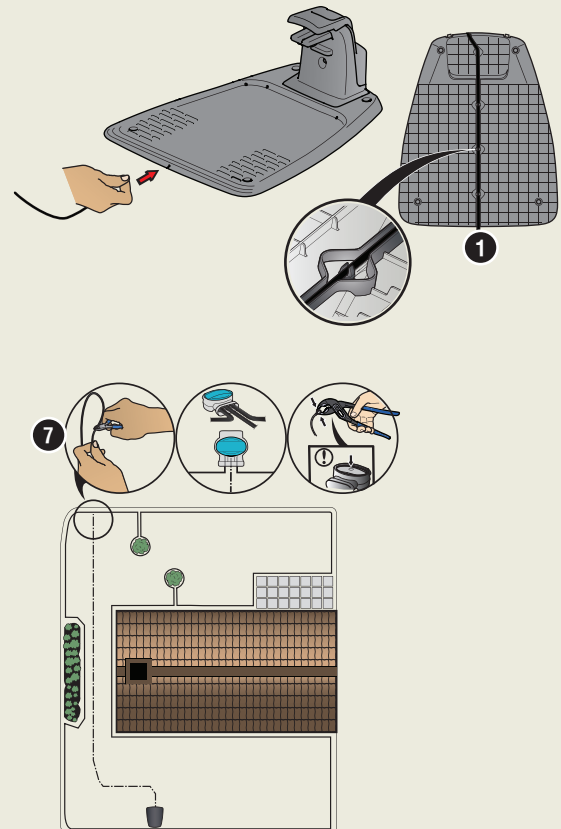
5. Lay the guide wire from the charging station to the point on the boundary wire (eyelet) where the connection is made using stakes supplied or bury the wire.

**NOTE:** Do not lay the guide wire in sharp bends and it cannot cross the boundary wire that for instance is laid out for an island.

6. Cut the boundary wire at the center of the eyelet that was made in step 2.3.
7. Connect the guide wire to the boundary wire by inserting the boundary wires and guide wire in the coupler, and pressing the coupler together with a pair of pliers.

**NOTE:** After the guide wire is installed, attach the charging station to the ground with the supplied screws and allen key.

**NOTE:** For optimal performance through narrow passages please ensure the guide wire is laid correctly through it. Please read the Operator's manual for further instructions.



### 5. To start and stop the robotic lawn mower

#### To start the product

1. Push the **ON/OFF** button for 3 seconds.
2. Enter the PIN code.
3. Select the operating mode.

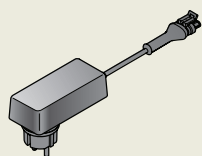
#### To enter the factory PIN code

1. Push the **ON/OFF** button.
2. Push the **Start/Schedule** button.
3. Push the **Start** button.
4. Push the **Park** button.

#### To stop the product

1. Push the **STOP** button.

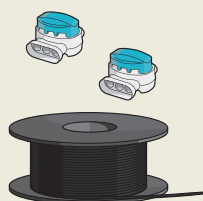
**NOTE:** You can change the PIN code in the GARDENA Bluetooth® App.



Power supply  
(the appearance of the power supply may differ depending on market)



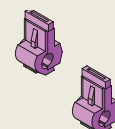
Low voltage cable



Boundary wire and couplers



Stakes



Connectors



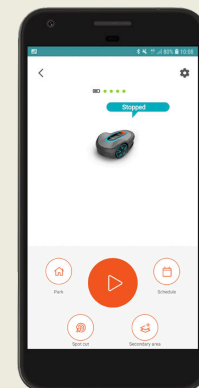
Measurement gauge

## To pair the robotic lawn mower and the app

The GARDENA Bluetooth® App is a free app for your mobile device. The GARDENA Bluetooth® App is used for the settings and operation of the robotic lawn mower. When pairing between the robotic lawn mower and app has been confirmed, you have access to the menus and functions as long as you are within short-range (Bluetooth®).

1. Download the GARDENA Bluetooth® App on your mobile device.
2. Switch off the robotic lawn mower and switch it on again.
3. Pair the GARDENA Bluetooth® app with the product.
4. Enter the PIN code.

**NOTE:** The Bluetooth® pairing mode is active for 3 minutes.

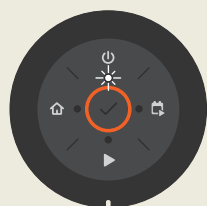
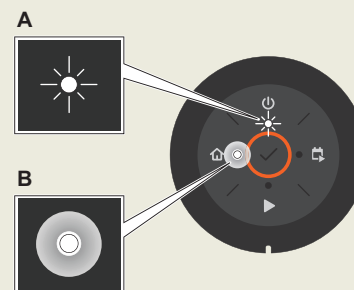


## LED status indicator on the keypad

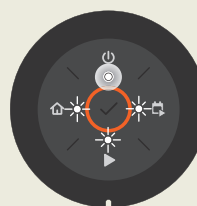
The LED status indicator lamps on the keypad shows the status of the robotic lawn mower. The buttons on the keypad with flashing lights are the available operating modes for the robotic lawn mower that you can select. You must enter the PIN code before you can select an operating mode.

If the robotic lawn mower is parked, push the **STOP** button and the robotic lawn mower is set to idle mode where you can set an operating mode.

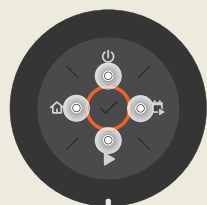
- A. Flashing light
- B. Solid light



**Standby**



**Idle**



**Waiting for PIN code**



**Wrong PIN code**



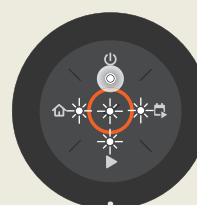
**Cutting according to set schedule**



**Cutting, either in operating mode override schedule or secondary area**



**Parking**



**Error**

1141365-26



2021-03-02

[www.gardena.com](http://www.gardena.com)

**GARDENA®**

The right to make changes without prior notice is reserved.  
Copyright © 2021 GARDENA Manufacturing GmbH. All rights reserved.  
[www.gardena.com](http://www.gardena.com)