



Operator's manual  
Manual de usuario  
Manuel d'utilisation

## Reference station

Read the operator's manual carefully and make sure that you understand the instructions before you use the product.  
Lea detenidamente el manual de usuario y asegúrese de entender su contenido antes de utilizar el producto.  
Lisez attentivement le manuel d'utilisation et assurez-vous que vous en comprenez le contenu avant d'utiliser la machine.



EN, English  
(2-11)

ES, Español  
(12-22)

FR, Français  
(23-32)

---

## Contents

---

1 Operators manual.....	2	6 Storage and disposal.....	9
2 Safety.....	3	7 Technical data.....	9
3 Installation.....	4	8 Warranty.....	10
4 Maintenance.....	8	9 Applicable to US/CA market.....	11
5 Troubleshooting.....	9		

---

## 1 Operators manual

---

### 1.1 Introduction

<b>Serial number:</b>
-----------------------

The serial number is on the product rating plate and on the product carton. Use the serial number to register your product on [www.husqvarna.com](http://www.husqvarna.com).

#### 1.1.1 Support

For support about the product, speak to your Husqvarna servicing dealer.

#### 1.1.2 System description

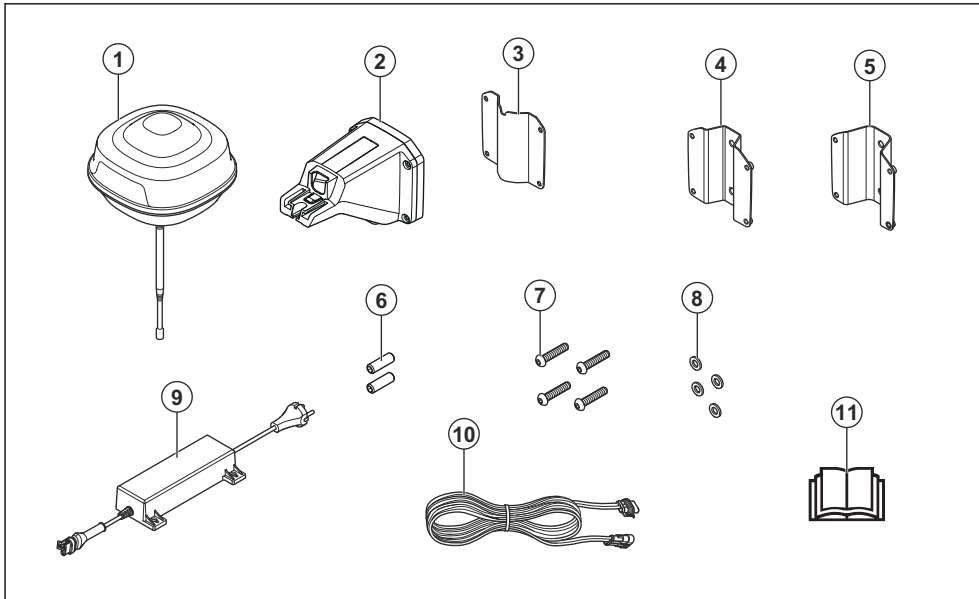
The EPOS system contains a robotic lawn mower, a charging station and a reference station. The robotic lawn mower and the reference station receives satellite signals for positioning. The reference station is stationary and sends correction data to the robotic lawn mower to get an accurate position for the mower. The work area is made virtually in an app by operating the product and adding waypoints to make a map in an app.

#### 1.1.3 Product description

**Note:** Husqvarna regularly updates the appearance and function of the products. Refer to *Support on page 2*.

The product is a reference station that receives satellite signals and sends correction data to the mower. One reference station can be used for several robotic lawn mowers.

## 1.1.4 Product overview



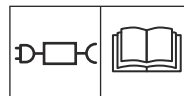
1. Reference station
2. Arm
3. Support bracket
4. Post bracket small, for post dimensions 32-44 mm
5. Post bracket large, for post dimensions 44-55 mm
6. Screws
7. Screws
8. Washers
9. Power supply<sup>1</sup>
10. Low-voltage cable
11. Operator's manual



This product conforms to the applicable EC Directives.



It is not permitted to dispose this product as normal household waste. Ensure that the product is recycled in accordance with local legal requirements.



Use a detachable power supply as defined on the rating label next to the symbol.

## 1.1.5 Symbols on the product

These symbols can be found on the product. Study them carefully.

## 2 Safety

### 2.1 Safety definitions

Warnings, cautions and notes are used to point out specially important parts of the manual.

if the instructions in the manual are not obeyed.



**WARNING:** Used if there is a risk of injury or death for the operator or bystanders

<sup>1</sup> The appearance may differ depending on market



**CAUTION:** Used if there is a risk of damage to the product, other materials or the adjacent area if the instructions in the manual are not obeyed.

**Note:** Used to give more information that is necessary in a given situation.

## 2.2 Safety instructions for operation

### 2.2.1 Use

- The product may only be used with the equipment recommended by the manufacturer. All other types of use are incorrect. The manufacturer's instructions with regard to operation/maintenance must be followed precisely.
- The product may only be operated, maintained and repaired by persons that are fully conversant with its special characteristics and safety regulations.

Please read the Operator's Manual carefully and make sure you understand the instructions before using the product.

- Husqvarna does not guarantee full compatibility between the product and other types of wireless systems such as remote controls, radio transmitters, hearing loops, underground electric animal fencing or similar.
- It is not permitted to modify the original design of the product. All modifications are made at your own risk.
- The operating temperature is -20°C to 45°C / -4°F to 113°F. The storage temperature is -20°C to 70°C / -4°F to 158°F.

### 2.2.2 In the event of a thunderstorm

To decrease the risk of damage to electrical components in the reference station, we recommend that the power supply to the reference station is disconnected if there is a risk of a thunderstorm. Connect the power supply again when there is no a risk of thunderstorm.

## 3 Installation

### 3.1 Introduction - Installation



**WARNING:** Read and understand the safety chapter before you install the product.



**CAUTION:** Use original spare parts and installation material.

**Note:** Refer to [www.husqvarna.com](http://www.husqvarna.com) for more information about installation.

### 3.2 To examine where to put the reference station



**CAUTION:** If there is a lightning rod near by, do not install the reference station higher than the lightning rod.



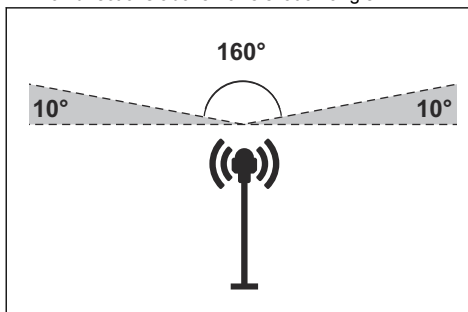
**CAUTION:** Do not install the reference station on a flagpole. Movements of the reference station will affect the correction data sent to the product with the accurate position.

- Install the reference station on a fixed object that cannot not move or rotate.

- Install the reference station on a post or a wall. The post must be 32-55 mm / 1.26-1.37 in. in diameter to fit the attachments on the reference station.

**Note:** If the reference station is installed on a wall the top of the reference station must be above the wall. There must be no metal in the wall.

- The reference station needs to have full view of the sky. The sky must be visible without obscuration in all directions above 10° elevation angle.



- Install the reference station at minimum 2.5 m / 8 ft. height.
- The maximum distance between the reference station and the product is 500 m / 1640 ft. when free line of view. Objects between the reference station and product decreases the distance.

- Install the reference station where the radio signal reaches all parts of the work area. Large objects can block the radio signals.
- It is recommended to have free line of sight between product and reference station for optimal performance.

### 3.3 To examine where to put the power supply



**WARNING:** Do not cut the low-voltage cable. There is a risk of electrical shock.



**CAUTION:** Make sure that the blades on the robotic lawn mower do not cut the power cables.

- Put the power supply in an area with a roof and protection from the sun and rain.
- Put the power supply in an area with good airflow.
- Use a residual-current device (RCD) when you connect the power supply to the power outlet.
- Extend the low-voltage cable if necessary. The low-voltage cable can be extended up to 100 m / 328 ft.

### 3.4 Installation of the product

Read and understand the instructions about the reference station. Refer to *To examine where to put the reference station on page 4*.

Read the Operator's manual for the robotic lawn mower to be used together with the reference station.

You can install the reference station on a post or a wall.



**WARNING:** Obey national regulations about electrical safety.



**WARNING:** The product is only to be used with the power supply unit supplied by Husqvarna.



**WARNING:** Do not put the power supply at a position where there is a risk that it can become wet. Do not put the power supply on the ground.



**WARNING:** Do not encapsulate the power supply. Condensed water can harm

the power supply and increase the risk of electrical shock.



**WARNING:** Risk of Electric Shock. Install only to an residual-current device (RCD) when connecting the power supply to the wall socket. Applicable to USA/Canada. If power supply is installed outdoors: Risk of Electric Shock. Install only to a covered Class A GFCI receptacle (RCD) that has an enclosure that is weatherproof with the attachment plug cap inserted or removed.



**WARNING:** The power supply cable and extension cable must be outside the work area to avoid damage to the cables.



**WARNING:** There is a risk of falling when you install the reference station in a high position. Make sure that you have a stable position when you install the reference station.



**WARNING:** There is a risk of falling objects during the installation of the reference station. This can result in injury.



**CAUTION:** Movements of the reference station will affect the correction data sent to the product with the accurate position. The reference station must be installed tightly on the post or wall.



**CAUTION:** The items on the map will change position if you move the reference station. Adjust the items on the map or do the installation again in the Automower® Connect app.

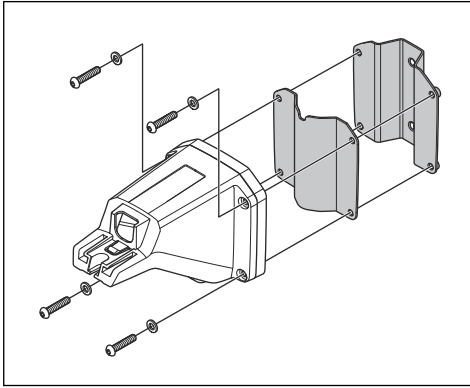
#### 3.4.1 Installation tools

- Screwdriver, Torx 20.
- Hex key, 4 mm. Included in the carton.

#### 3.4.2 To install the reference station on a post

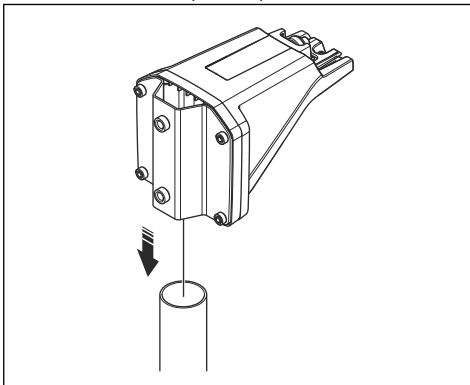
1. Attach the post tightly to a wall, roof top or the ground. Make sure that the post cannot move or be accidentally moved.

2. Attach the support bracket and one of the post brackets to the arm with the 4 screws (4 mm hex key).



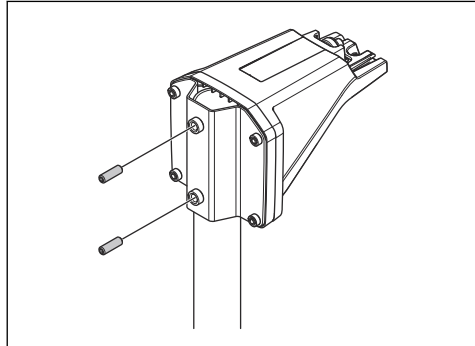
**Note:** The post brackets are available in 2 dimensions to fit different dimensions of the post. Select the applicable post bracket for your installation.

3. Put the arm on top of the post.

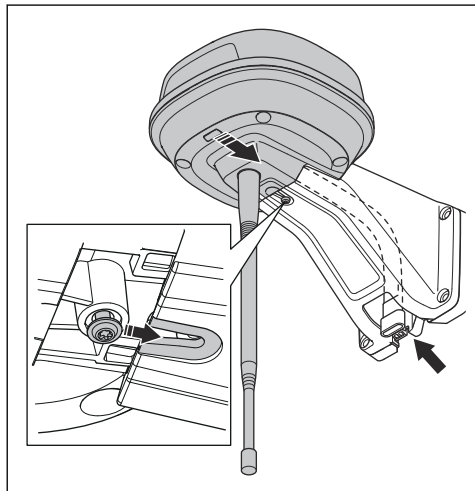


**Note:** The reference station must be installed at the top of the post.

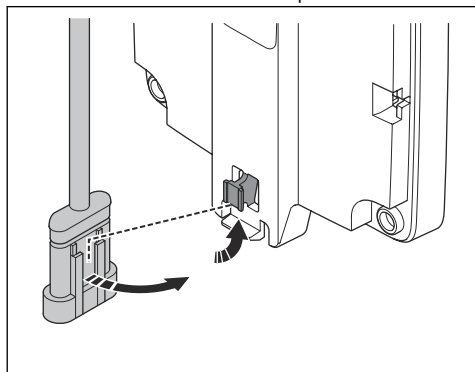
4. Attach the reference station to the post with the 2 screws (4mm hex key).



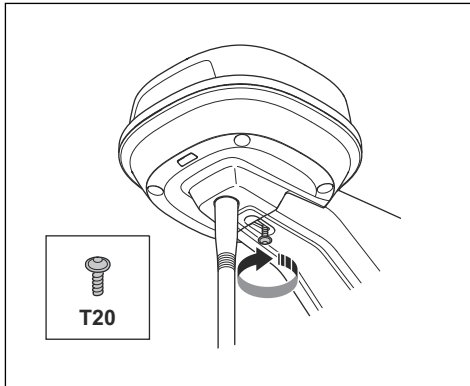
5. Pull the cable on the reference station through the slot in the arm and install the reference station on the arm.



6. Attach the connector to the clips on the arm.



7. Tighten the screw (Torx 20) on the arm of the reference station.



8. Connect the low-voltage cable to the reference station and the power supply. Refer to *To examine where to put the power supply on page 5.*
9. Attach the low-voltage cable to the post from the reference station to the power supply with cable ties.



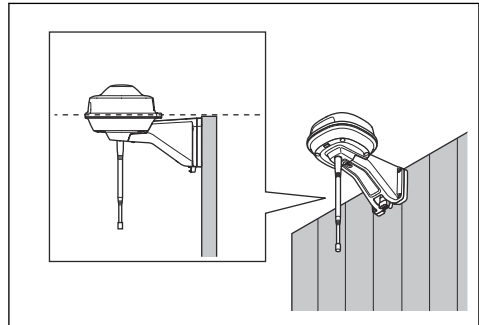
**CAUTION:** If the low-voltage cable is not attached tightly with cable ties it can be damaged in hard wind.

10. Put the power supply at a minimum height of 30 cm / 12 in. from the ground.
11. Connect the power supply cable to a 100-240V power outlet.
12. Wait until the LED status indicator is solid green. First the LED status indicator is flashing green for some minutes. Refer to *LED indicator lamp on the reference station on page 9.*

### 3.4.3 To install the reference station on a wall

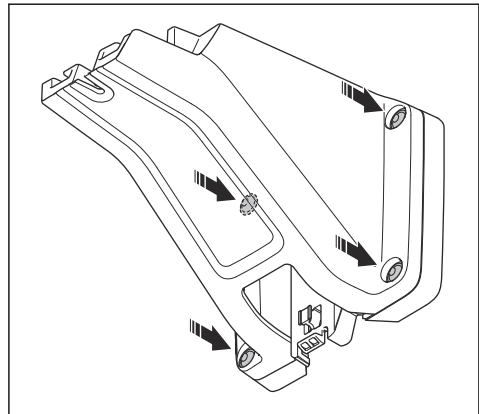
**Note:** As wall materials vary, screws for fixing to the wall are not included.

1. Hold the arm for the reference station on the wall where you will attach it. Make 4 marks on the wall where you will attach 4 screws.

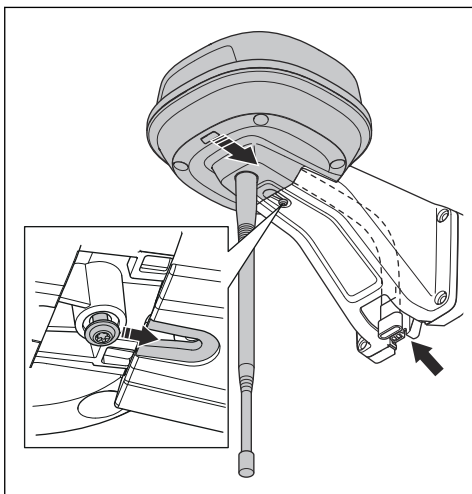


**Note:** If the reference station is installed on a wall the top of the reference station must be above the wall.

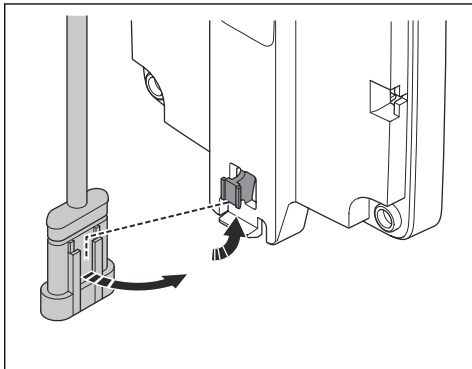
2. Drill 4 holes in the wall for the 4 screws.
3. Install the reference station on the wall with 4 screws.



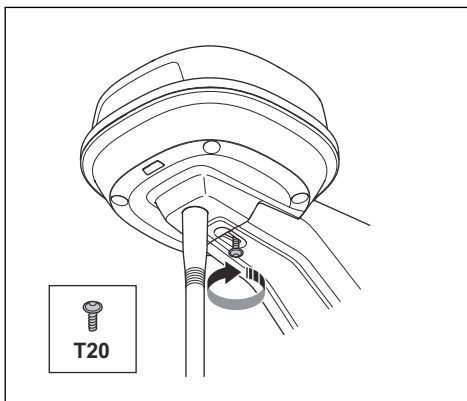
4. Put the cable of the reference station through the slot in the arm and install the reference station on the arm.



5. Attach the connector to the clips on the arm.



6. Tighten the screw (Torx 20) on the arm of the reference station.



7. Connect the low-voltage cable to the reference station and the power supply.
8. Attach the low-voltage cable to the wall from the reference station to the power supply with cable ties.



**CAUTION:** If the low-voltage cable is not attached tightly with cable ties it can be damaged in hard wind.

9. Put the power supply at a minimum height of 30 cm / 12 in. from the ground. Refer to *To examine where to put the power supply on page 5.*
10. Connect the power supply cable to a 100-240V power outlet.
11. Wait until the LED status indicator is solid green. First the LED status indicator is flashing green for some minutes. Refer to *LED indicator lamp on the reference station on page 9.*

## 4 Maintenance

### 4.1 Introduction - maintenance

Make a check of the installation each year.

1. Make sure that the post is tightly attached.

2. Make a check of the tightening torques for all screws.

Screw	Tool	Tightening torque (Nm)
Reference station to arm	Torx 20	1.8
Arm to post	Hex key, 4 mm	5-6
Arm, support bracket and post bracket	Hex key, 4 mm	5-6



## 4.2 Clean the product



**WARNING:** Disconnect the product from the power supply before any maintenance or cleaning.



**CAUTION:** Do not use a high-pressure washer to clean the product and reference station. Do not use solvents for cleaning.

If necessary, clean the reference station with a moist cloth.

## 5 Troubleshooting

### 5.1 LED indicator lamp on the reference station

Light	Status
Green flashing light	Startup of the reference station. This can take some minutes.
Green solid light	In operation.
Red flashing light	The reference station is not working due to an error.
White flashing light	Firmware update is necessary. Speak to your local Husqvarna representative.

## 6 Storage and disposal

### 6.1 Storage

If you store the reference station indoors, keep the arm installed at the post or wall to be able to install the reference station on its original position again.

If you keep the reference station outdoors during the winter, we recommend you to keep the power supply connected.

### 6.2 Disposal

Obey the local recycling requirements and applicable regulations.

## 7 Technical data

### 7.1 Technical data

Dimensions	
Length, max length including plate for post installation cm / in.	36 / 13.8
Width, cm / in.	19 / 7.5
Height, cm / in.	36 / 13.8
Weight, reference station kg / lb	0.88 / 1.9
Weight, arm kg / lb	0.33 / 0.73

Reference station	
Type of Power Supply Unit	ADP-40BR
Power supply input, V AC	100-240
Power supply output, V DC	28
Power supply output, A	1.3
Low-voltage cable, length m/ft.	20 / 66
IP-classification	IPX5
Power consumption, W	2

Frequency Band Support	
Bluetooth® Frequency range (for service)	2400.0-2483.5 MHz
SRD868 (Europe)	863-870 MHz
SRD915 (North America)	902-928 MHz

Power Class	
Bluetooth® Output power (for service)	8 dBm
SRD868 (Europe)	13 dBm
SRD915 (North America)	13 dBm

Full compatibility cannot be guaranteed between the product and other types of wireless systems such as remote controls and radio transmitters.

## 7.2 Registered trademarks

The *Bluetooth®* word mark and logos are registered trademarks owned by *Bluetooth SIG, inc.* and any use of such marks by Husqvarna is under license.

---

# 8 Warranty

---

## 8.1 Warranty terms

Husqvarna® warranty covers this product's functionality for a period of 2 years from date of purchase. The warranty covers serious faults relating to materials or manufacturing faults. Within the warranty period, we will replace the product or repair it at no charge if the following terms are met:

- The product may only be used in compliance with the instructions in this Operator's Manual. This manufacturer's warranty does not affect warranty entitlements against the dealer/retailer.
- End-users or non-authorized third parties must not attempt to repair the product.

Examples of faults which are not included in the warranty:

- Damage caused by water seepage from using a high-pressure washer.
- Damage caused by lightning.
- Damage caused by not using Husqvarna original spare parts and accessories.
- Damage caused by non-authorized changing or tampering with the product or its power supply.

If an error occurs with your Husqvarna product, please contact Husqvarna local representative for further instructions. Please have the receipt and the product's serial number at hand when contacting Husqvarna local representative.

---

## 9 Applicable to US/CA market

---

### 9.1 Supplier's Declaration of Conformity

Issuer: Husqvarna AB, Drottninggatan 2, S-561 82 Huskvarna, Sweden [www.husqvarnagroup.com](http://www.husqvarnagroup.com).

Responsible party: Husqvarna Professional Products, Inc. 9335 Harris Corners Parkway Suite 500 Charlotte, NC 28269 United States U.S. Contact information: Michael Campbell, Sr Director Quality, test compliance, Telephone: +1 704 597 5000.

- Reorient or relocate the receiving antenna.
- Increase the separation between the equipment and receiver.
- Connect the equipment into an outlet on a circuit different from that to which the receiver is connected.
- Consult the dealer or an experienced radio/TV technician for help.

---

### 9.2 Compliance requirements

FCC ID: MCQ-XBSX (Reference station).

FCC ID ZASHQ-BLE-1D (Bluetooth® module).

The Bluetooth module and radio module are located inside the reference station. They must only be accessed by an authorized service technician.



**WARNING:** Cancer and Reproductive Harm - [www.P65Warnings.ca.gov](http://www.P65Warnings.ca.gov).

---



**WARNING:** To comply with RF exposure requirements, please maintain a separation distance of at least 20 cm/7 inches from any part of the product.

---

**Note:** Changes or modifications made to this equipment not expressly approved by Husqvarna may void the FCC authorization to operate this equipment.

---

**Note:** This device complies with Part 15 of the FCC Rules [and with Industry Canada licence-exempt RSS standard(s)]. Operation is subject to the following two conditions: this device may not cause harmful interference, and this device must accept any interference received, including interference that may cause undesired operation.

---

**Note:** This equipment has been tested and found to comply with the limits for a Class B digital device, pursuant to part 15 of the FCC Rules. These limits are designed to provide reasonable protection against harmful interference in a residential installation. This equipment generates, uses and can radiate radio frequency energy and, if not installed and used in accordance with the instructions, may cause harmful interference to radio communications. However, there is no guarantee that interference will not occur in a particular installation. If this equipment does cause harmful interference to radio or television reception, which can be determined by turning the equipment off and on, the user is encouraged to try to correct the interference by one or more of the following measures:

---

---

## Contenido

---

10 Manual de usuario.....	12	15 Almacenamiento y desecho.....	19
11 Seguridad.....	13	16 Datos técnicos.....	20
12 Instalación.....	14	17 Garantía.....	21
13 Mantenimiento.....	19	18 Aplicable al mercado de EE. UU./CA.....	21
14 Resolución de problemas.....	19		

---

## 10 Manual de usuario

---

### 10.1 Introducción

<b>Nº de serie:</b>
---------------------

El número de serie se encuentra en la placa de características y en el embalaje del producto. Utilice el número de serie para registrar su producto en [www.husqvarna.com](http://www.husqvarna.com).

#### 10.1.1 Asistencia

Para obtener asistencia sobre el producto, póngase en contacto con su distribuidor Husqvarna.

#### 10.1.2 Descripción del sistema

El sistema EPOS incluye un robot cortacésped, una estación de carga y una estación de referencia. El robot cortacésped y la estación de referencia reciben señales de posicionamiento por satélite. La estación de referencia es estática y envía datos de corrección al robot cortacésped para obtener una posición precisa de este último. El área de trabajo se crea virtualmente mediante una aplicación; para ello, se hace funcionar el

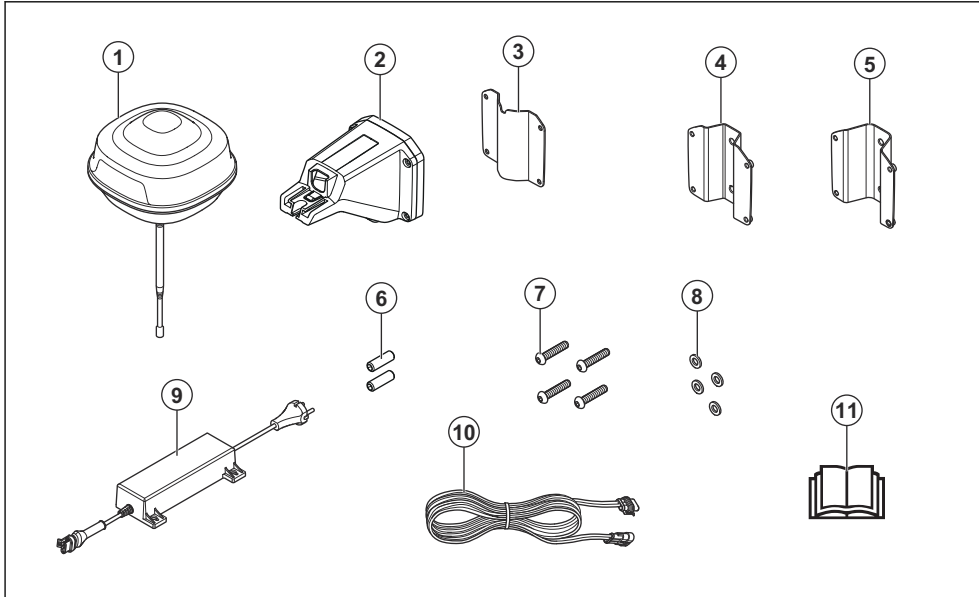
producto y se añaden puntos de referencia a fin de trazar un mapa en la aplicación.

#### 10.1.3 Descripción del producto

**Nota:** Husqvarna actualiza periódicamente el aspecto y la función de los productos. Consulte la sección *Asistencia en la página 12*.

El producto es una estación de referencia que recibe señales por satélite y envía datos de corrección al robot cortacésped. Es posible utilizar la misma estación de referencia con varios robots cortacésped.

## 10.1.4 Descripción del producto



1. Estación de referencia
2. Brazo
3. Soporte
4. Soporte de poste pequeño, para poste de 32-44 mm
5. Soporte de poste grande, para poste de 44-55 mm
6. Tornillos
7. Tornillos
8. Arandelas
9. Fuente de alimentación<sup>2</sup>
10. Cable de baja tensión
11. Manual de usuario

### 10.1.5 Símbolos que aparecen en el producto

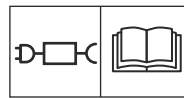
Puede encontrar estos símbolos en el producto. Estúdielos con atención.



Este producto cumple con las directivas CE vigentes.



No está permitido desechar este producto como residuo doméstico general. Asegúrese de que el producto se recicla de acuerdo con las normativas locales.



Utilice una fuente de alimentación extraíble de la potencia indicada en la etiqueta de características junto al símbolo.

## 11 Seguridad

### 11.1 Definiciones de seguridad

Las advertencias, precauciones y notas se utilizan para destacar información especialmente importante del manual.



**ADVERTENCIA:** Indica un riesgo de lesiones o incluso de muerte del usuario o de las personas cercanas si no se respetan las instrucciones del manual.

<sup>2</sup> La apariencia puede variar en función del mercado



**PRECAUCIÓN:** Indica un riesgo de daños en el producto, otros materiales o el área adyacente si no se respetan las instrucciones del manual.

**Nota:** Se usa para proporcionar más información necesaria en una situación determinada.

## 11.2 Instrucciones de seguridad para el funcionamiento

### 11.2.1 Uso

- El producto solo se puede utilizar con el equipo recomendado por el fabricante. Todos los demás usos son inadecuados. Se deben seguir al pie de la letra las instrucciones de uso y mantenimiento del fabricante.
- Este producto solamente lo podrán manejar, mantener y reparar aquellas personas que conozcan perfectamente sus normas de seguridad

y características especiales. Lea detenidamente el manual de usuario y asegúrese de entender su contenido antes de utilizar el producto.

- Husqvarna no garantiza la total compatibilidad entre el producto y otro tipo de sistemas inalámbricos, como mandos a distancia, radiotransmisores, bucles magnéticos, vallas eléctricas enterradas para animales o similares.
- No está permitido modificar el diseño original del producto. Todas las modificaciones se harán por su cuenta y riesgo.
- La temperatura de funcionamiento oscila entre  $-20\text{ }^{\circ}\text{C}$  y  $45\text{ }^{\circ}\text{C}$  ( $-4\text{ }^{\circ}\text{F}$  y  $113\text{ }^{\circ}\text{F}$ ). La temperatura de almacenamiento oscila entre  $-20\text{ }^{\circ}\text{C}$  y  $70\text{ }^{\circ}\text{C}$  ( $-4\text{ }^{\circ}\text{F}$  y  $158\text{ }^{\circ}\text{F}$ ).

### 11.2.2 En caso de tormenta eléctrica

Para reducir el riesgo de daños en los componentes eléctricos de la estación de referencia, recomendamos desconectar la fuente de alimentación de la estación de referencia si existe riesgo de tormenta eléctrica. Vuelva a conectar la fuente de alimentación cuando desaparezca el riesgo de tormenta eléctrica.

## 12 Instalación

### 12.1 Introducción sobre la instalación



**ADVERTENCIA:** Asegúrese de leer y comprender el capítulo sobre seguridad antes de instalar el producto.



**PRECAUCIÓN:** Utilice material para la instalación y piezas de repuesto originales.

**Nota:** Consulte [www.husqvarna.com](http://www.husqvarna.com) para obtener más información acerca de la instalación.

### 12.2 Determinación del lugar donde se colocará la estación de referencia



**PRECAUCIÓN:** Si hay un pararrayos cerca, no instale la estación de referencia a una altura superior a la del pararrayos.



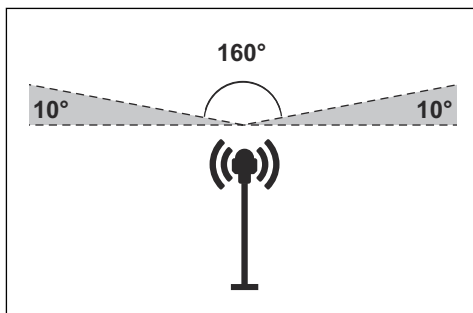
**PRECAUCIÓN:** No instale la estación de referencia en un mástil. Cualquier movimiento que se produzca en la estación de referencia influirá en los datos de

corrección que se enviarán al producto con la posición exacta.

- Instale la estación de referencia en un objeto inmóvil que no se mueva ni gire.
- Instale la estación de referencia en un poste o en una pared. El poste debe tener un diámetro de 32-55 mm (1.26-1.37 pulg.) para poder usar los accesorios de montaje de la estación de referencia.

**Nota:** Si la estación de referencia se monta en una pared, dicha estación debe situarse por encima de la pared. No debe haber metal en la pared.

- No debe haber ningún obstáculo entre la estación de referencia y el cielo. No debe haber ningún obstáculo en ninguna dirección en un ángulo de elevación por encima de  $10^{\circ}$ .



- Instale la estación de referencia a una altura mínima de 2.5 m (8 ft).
- La distancia máxima entre la estación de referencia y el producto es de 500 m (1640 ft) siempre que no exista ningún obstáculo entre ambos. Si hay algún obstáculo entre ambos, la distancia disminuye.
- Instale la estación de referencia en un lugar desde donde la señal de radio pueda alcanzar toda el área de trabajo. Los objetos grandes pueden obstaculizar las señales de radio.
- Lo más aconsejable es que no exista ningún obstáculo entre el producto y la estación de referencia; solo así se conseguirá un rendimiento óptimo.

### 12.3 Determinar el lugar donde se colocará la fuente de alimentación



**ADVERTENCIA:** No corte el cable de baja tensión. Puede sufrir una descarga eléctrica.



**PRECAUCIÓN:** Tome todas las precauciones para que las cuchillas del robot cortacésped no puedan cortar los cables de alimentación.

- Coloque la fuente de alimentación en una zona a cubierto y protegida del sol y la lluvia.
- Coloque la fuente de alimentación en una zona bien ventilada.
- Utilice un dispositivo de corriente residual (RCD) cuando conecte la fuente de alimentación a la toma de corriente.
- Extienda el cable de baja tensión si es necesario. El cable de baja tensión se puede extender hasta 100 m (328 ft).

### 12.4 Instalación del producto

Lea detenidamente las instrucciones sobre la estación de referencia. Consulte la sección *Determinación del*

*lugar donde se colocará la estación de referencia en la página 14.*

Lea el manual de usuario del robot cortacésped que va a utilizar con la estación de referencia.

Puede instalar la estación de referencia en un poste o en una pared.



**ADVERTENCIA:** Cumpla con las normas de su país relativas a la seguridad eléctrica.



**ADVERTENCIA:** El producto solo se puede utilizar con una unidad de alimentación suministrada por Husqvarna.



**ADVERTENCIA:** No coloque la fuente de alimentación en un lugar donde se pueda mojar. No coloque la fuente de alimentación en el suelo.



**ADVERTENCIA:** No deje estanca la fuente de alimentación. El agua condensada puede dañar la fuente de alimentación y aumentar el riesgo de choque eléctrico.



**ADVERTENCIA:** Riesgo de descarga eléctrica. Instale únicamente un dispositivo de corriente residual (RCD) cuando conecte la fuente de alimentación a la toma de pared. Aplicable a EE. UU./ Canadá. Si la fuente de alimentación se instala en el exterior: Riesgo de sacudida eléctrica. Realice la instalación únicamente en un interruptor diferencial de clase A (RCD) que tenga un cuerpo impermeable con una clavija de conexión insertada o extraída.



**ADVERTENCIA:** El cable de alimentación y el cable alargador deben estar fuera de la zona de trabajo para evitar daños en los cables.



**ADVERTENCIA:** Si instala la estación de referencia en un punto elevado, puede caerse. Sitúese de tal manera que no pueda perder el equilibrio cuando instale la estación de referencia.



**ADVERTENCIA:** Existe riesgo de caída de objetos durante la instalación de la estación de referencia. Esta situación podría ocasionar lesiones.



**PRECAUCIÓN:** Cualquier movimiento que se produzca en la estación de referencia influirá en los datos de corrección que se enviarán al producto con la posición exacta. La estación de referencia debe instalarse firmemente en el poste o la pared.



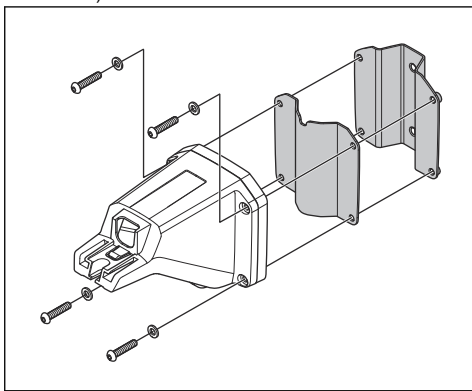
**PRECAUCIÓN:** Los elementos del mapa cambiarán de posición si mueve la estación de referencia. Ajuste los elementos del mapa o vuelva a realizar la instalación en la aplicación Automower® Connect.

### 12.4.1 Herramientas de instalación

- Destornillador Torx 20.
- Llave hexagonal de 4 mm. Incluida en la caja.

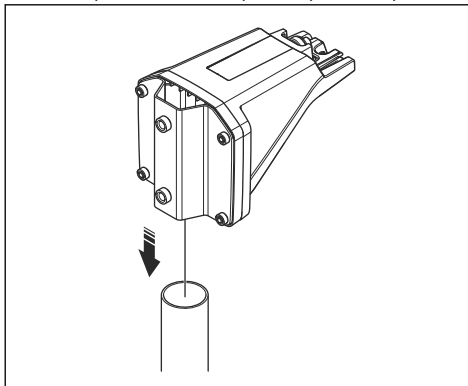
### 12.4.2 Instalación de la estación de referencia en un poste

1. Fije el poste firmemente a la pared, al tejado o al suelo. Cerciórese de que el poste no se pueda mover, ni siquiera de manera accidental.
2. Fije el soporte y uno de los soportes de poste al brazo con los 4 tornillos (llave hexagonal de 4 mm).



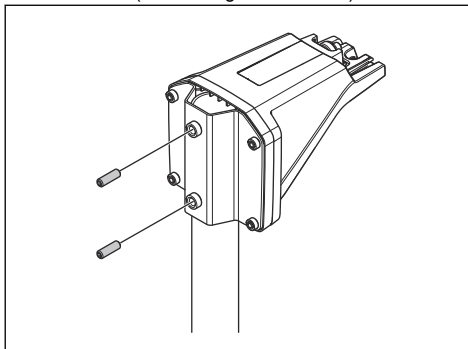
**Nota:** Los soportes de poste están disponibles en 2 tamaños, cada uno para un tamaño de poste diferente. Seleccione el soporte de poste adecuado para su instalación.

3. Coloque el brazo en la parte superior del poste.



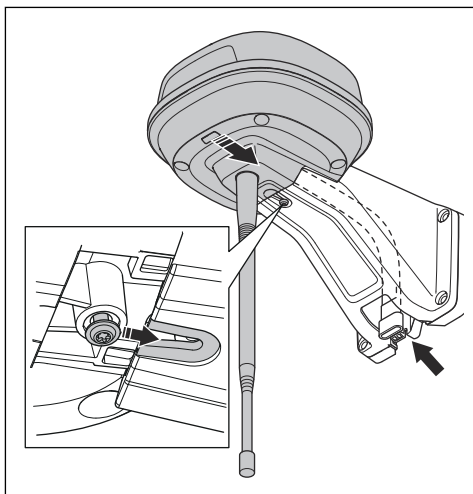
**Nota:** La estación de referencia debe instalarse en la parte superior del poste.

4. Fije la estación de referencia al poste con los 2 tornillos (llave hexagonal de 4 mm).

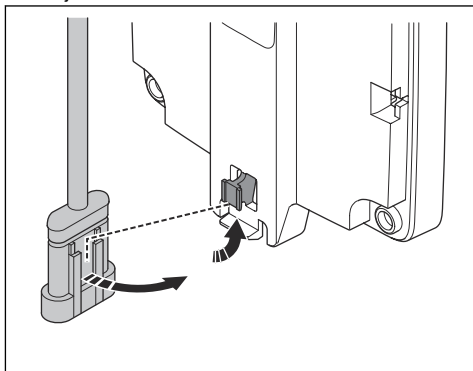


5. Pase el cable de la estación de referencia a través de la ranura del brazo e instale la estación de referencia en el brazo.

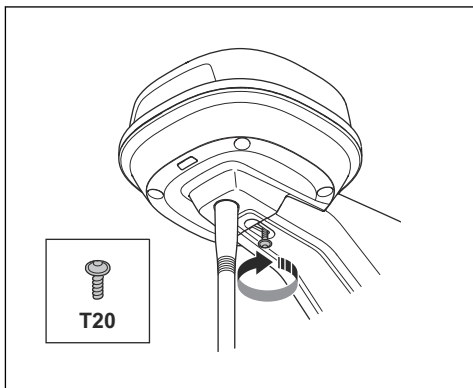




6. Fije el conector a las abrazaderas del brazo.



7. Apriete el tornillo (Torx 20) del brazo de la estación de referencia.



8. Conecte el cable de baja tensión a la estación de referencia y a la fuente de alimentación. Consulte la sección *Determinar el lugar donde se colocará la fuente de alimentación en la página 15*.
9. Sujete el cable de baja tensión al poste desde la estación de referencia hasta la fuente de alimentación con bridas.



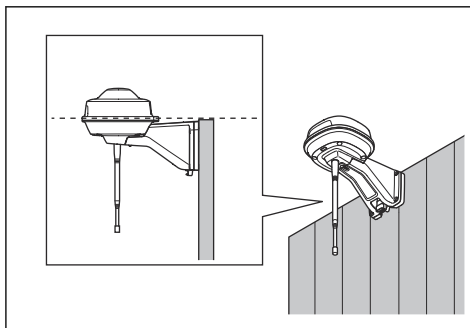
**PRECAUCIÓN:** Si el cable de baja tensión no está bien sujeto con bridas, puede resultar dañado en caso de soplar viento fuerte.

10. Coloque la fuente de alimentación a una altura mínima de 30 cm (12 pulg.) con respecto al suelo.
11. Conecte el cable de la fuente de alimentación a una toma de corriente de 100-240 V.
12. Espere hasta que el indicador LED de estado se ilumine en verde de forma permanente. En primer lugar, el indicador LED de estado parpadea en verde durante unos minutos. Consulte la sección *Luz indicadora LED de la estación de referencia en la página 19*.

### 12.4.3 Instalación de la estación de referencia en una pared

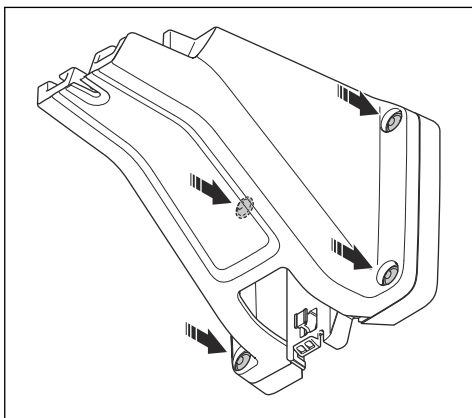
**Nota:** Puesto que las paredes pueden estar construidas con diversos materiales, no se incluyen los tornillos para fijar el producto a la pared.

1. Sostenga el brazo de la estación de referencia sobre la pared en el punto donde lo vaya a montar. Haga 4 marcas en la pared para señalar el punto donde se colocarán los 4 tornillos.

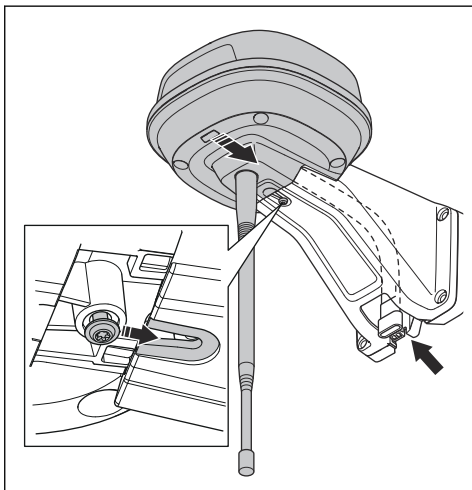


**Nota:** Si la estación de referencia se monta en una pared, dicha estación debe situarse por encima de la pared.

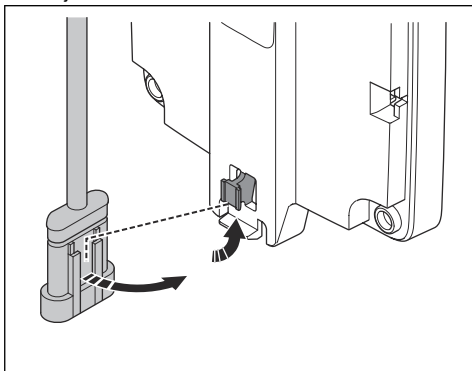
2. Taladre 4 orificios en la pared para los 4 tornillos.
3. Instale la estación de referencia en la pared con 4 tornillos.



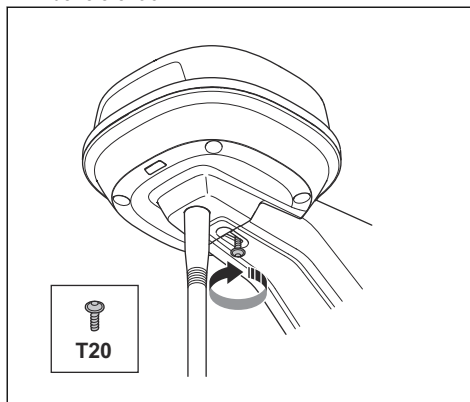
4. Pase el cable de la estación de referencia a través de la ranura del brazo e instale la estación de referencia en el brazo.



5. Fije el conector a las abrazaderas del brazo.



6. Apriete el tornillo (Torx 20) del brazo de la estación de referencia.



7. Conecte el cable de baja tensión a la estación de referencia y a la fuente de alimentación.
8. Sujete el cable de baja tensión a la pared desde la estación de referencia hasta la fuente de alimentación con bridas.



**PRECAUCIÓN:** Si el cable de baja tensión no está bien sujeto con bridas, puede resultar dañado en caso de soplar viento fuerte.

9. Coloque la fuente de alimentación a una altura mínima de 30 cm (12 pulg.) con respecto al suelo. Consulte la sección *Determinar el lugar donde se colocará la fuente de alimentación en la página 15*.
10. Conecte el cable de la fuente de alimentación a una toma de corriente de 100-240 V.
11. Espere hasta que el indicador LED de estado se ilumine en verde de forma permanente. En primer lugar, el indicador LED de estado parpadea en verde durante unos minutos. Consulte la sección *Luz indicadora LED de la estación de referencia en la página 19*.

## 13 Mantenimiento

### 13.1 Introducción - Mantenimiento

Revise la instalación todos los años.

1. Asegúrese de que el poste esté bien montado.
2. Revise los pares de apriete de todos los tornillos.

Tornillo	Herramienta	Par de apriete de (Nm)
Entre la estación de referencia y el brazo	Torx 20	1,8
Entre el brazo y el poste	Llave Allen, 4 mm	5-6
Brazo, soporte y soporte de poste	Llave Allen, 4 mm	5-6

### 13.2 Limpie el producto



**ADVERTENCIA:** Desconecte el producto de la fuente de alimentación antes de proceder con las labores de mantenimiento o limpieza.

producto ni la estación de referencia. No utilice productos disolventes para la limpieza.

Si es necesario, limpie la estación de referencia con un paño húmedo.



**PRECAUCIÓN:** No utilice un equipo de limpieza de alta presión para limpiar el

## 14 Resolución de problemas

### 14.1 Luz indicadora LED de la estación de referencia

Luz	Estado
Luz verde intermitente	Arranque de la estación de referencia. Puede tardar unos minutos.
Luz verde fija	En funcionamiento.
Luz roja intermitente	La estación de referencia no funciona debido a un error.
Luz blanca intermitente	Hay que actualizar el firmware. Hable con su representante local de Husqvarna.

## 15 Almacenamiento y desecho

### 15.1 Almacenamiento

Si guarda la estación de referencia en un espacio cerrado, deje el brazo instalado en el poste o en la pared para poder montarla en el mismo sitio más adelante.

Si deja fuera la estación de referencia durante el invierno, le aconsejamos que deje la fuente de alimentación conectada.

### 15.2 Eliminación

Respete los requisitos de reciclaje locales y las normas aplicables.

## 16 Datos técnicos

### 16.1 Datos técnicos

<b>Dimensiones</b>	
Longitud, longitud máxima con la placa para la instalación en el poste, cm/pulg.	36/13,8
Anchura, cm/pulg.	19/7,5
Altura, cm/pulg.	36/13,8
Peso, estación de referencia, kg/lb	0,88/1,9
Peso, brazo, kg/lb	0,33/0,73

<b>Estación de referencia</b>	
Tipo de unidad de alimentación	ADP-40BR
Entrada de fuente de alimentación, V CA	100-240
Salida de fuente de alimentación, V CC	28
Salida de fuente de alimentación, A	1,3
Cable de baja tensión, longitud, m/ft	20/66
Clasificación IP	IPX5
Consumo de energía, W	2

<b>Banda de frecuencias compatible</b>	
Rango de frecuencia del Bluetooth® (para servicio)	2400,0-2483,5 MHz
SRD868 (Europa)	863-870 MHz
SRD915 (Norteamérica)	902-928 MHz

<b>Clase de potencia</b>	
Potencia de salida del Bluetooth® (para servicio)	8 dBm
SRD868 (Europa)	13 dBm
SRD915 (Norteamérica)	13 dBm

No se puede garantizar la compatibilidad total entre el producto y otros tipos de sistemas inalámbricos, como mandos a distancia y transmisores de radio.

### 16.2 Marcas comerciales registradas

Los logotipos y las denominaciones *Bluetooth®* son marcas comerciales registradas propiedad de *Bluetooth SIG, inc.* y su uso por parte de Husqvarna está sujeto a una licencia.

---

## 17 Garantía

---

### 17.1 Condiciones de la garantía

La garantía de Husqvarna® cubre el funcionamiento de este producto durante un periodo de 2 años a partir de la fecha de compra. La garantía cubre defectos graves en los materiales o defectos de fábrica. Dentro del periodo de validez de la garantía, sustituiremos o repararemos el producto sin ningún cargo siempre que se cumplan las siguientes condiciones:

- El producto solo se debe utilizar de acuerdo con las instrucciones incluidas en este manual de usuario. Esta garantía del fabricante no afecta a los derechos de garantía contra el distribuidor/ minorista.
- Los usuarios finales o terceros no autorizados no deben intentar reparar el producto.

Ejemplos de defectos no incluidos en la garantía:

- Daños causados por la filtración de agua como consecuencia del uso de un sistema de limpieza a alta presión.
- Daños provocados por relámpagos.
- Daños causados por no utilizar accesorios y piezas de repuesto originales de Husqvarna.
- Daños causados por el cambio o manipulación no autorizada del producto o de su fuente de alimentación.

Si tiene algún problema con el producto de Husqvarna, póngase en contacto con un representante local de Husqvarna para obtener más instrucciones. Tenga a mano la factura y el número de serie del producto cuando se ponga en contacto con el representante local de Husqvarna.

---

## 18 Aplicable al mercado de EE. UU./CA

---

### 18.1 Declaración de conformidad del proveedor

Emisor: Husqvarna AB, Drottninggatan 2, S-561 82 Huskvarna, Sweden [www.husqvarnagroup.com](http://www.husqvarnagroup.com).

Responsable: Husqvarna Professional Products, Inc. 9335 Harris Corners Parkway Suite 500 Charlotte, NC 28269 United States U.S. Contact information: Michael Campbell, Sr Director Quality, test compliance, Telephone: +1 704 597 5000.

**Nota:** Este dispositivo cumple con la parte 15 de las normas FCC (y con los estándares RSS exentos de licencia de industria en Canadá). El funcionamiento está sujeto a las siguientes dos condiciones: este dispositivo no causará una interferencia dañina, y este dispositivo debe aceptar cualquier interferencia que reciba, incluida una interferencia que pueda causar un funcionamiento no deseada.

### 18.2 Requisitos de cumplimiento

**Id. FCC: MCQ-XBSX** (estación de referencia).

**FCC ID ZASHQ-BLE-1D** (módulo Bluetooth®).

El módulo Bluetooth y el módulo de radio se encuentran dentro de la estación de referencia. Solo puede acceder a ellos un técnico de servicio autorizado.



**ADVERTENCIA:** Para cumplir con los requisitos de exposición a radiofrecuencias, mantenga una distancia de al menos 20 cm/7 pulg. de cualquier parte del producto.

---

**Nota:** Los cambios o modificaciones realizados en este equipo no expresamente aprobados por Husqvarna pueden anular la autorización de la FCC para utilizar este equipo.

---

---

**Nota:** Este equipo ha sido probado y se ha determinado que cumple con los límites para un dispositivo digital de Clase B, de acuerdo con la parte 15 de las normas FCC. Estos límites están diseñados para proporcionar una protección razonable contra interferencias perjudiciales en una instalación residencial. Este equipo genera, utiliza y puede irradiar energía de radiofrecuencia y, si no se instala y utiliza de acuerdo con las instrucciones, puede causar interferencias perjudiciales para las comunicaciones de radio. Sin embargo, no hay garantía de que no se produzcan interferencias en una instalación en particular. Si este equipo causa interferencias perjudiciales para la recepción de radio o televisión, lo que se puede determinar encendiendo y apagando el equipo, se recomienda al usuario que intente corregir la interferencia mediante una o más de las siguientes medidas:

- Reoriente o mueva la antena receptora.
- Aumente la distancia de separación entre el equipo y el receptor.
- Conecte el equipo a una toma de un circuito diferente de aquel al que se encuentra conectado el receptor.
- Consulte al distribuidor o a un técnico experto en radio/TV para obtener ayuda.



**ADVERTENCIA:** Cáncer y daños reproductivos: [www.P65Warnings.ca.gov](http://www.P65Warnings.ca.gov).

---

---

## Sommaire

---

19 Manuel de l'utilisateur.....	23	24 Remisage et mise au rebut.....	30
20 Sécurité.....	24	25 Caractéristiques techniques.....	31
21 Installation.....	25	26 Garantie.....	31
22 Entretien.....	30	27 Applicable aux marchés US/CA.....	32
23 Dépannage.....	30		

---

## 19 Manuel de l'utilisateur

---

### 19.1 Introduction

<b>Numéro de série :</b>
--------------------------

Le numéro de série se trouve sur la plaque signalétique et sur le carton du produit. Utilisez le numéro de série pour enregistrer votre produit sur [www.husqvarna.com](http://www.husqvarna.com).

#### 19.1.1 Assistance

Pour obtenir de l'aide concernant le produit, contactez votre atelier d'entretien Husqvarna.

#### 19.1.2 Description du système

Le système EPOS contient un robot tondeuse, une station de charge et une station de référence. Le robot tondeuse et la station de référence reçoivent des signaux satellites pour le positionnement. La station de référence est fixe et envoie des données de correction au robot tondeuse pour obtenir une position précise de la tondeuse. La zone de tonte est créée virtuellement dans une application en utilisant le produit et en ajoutant

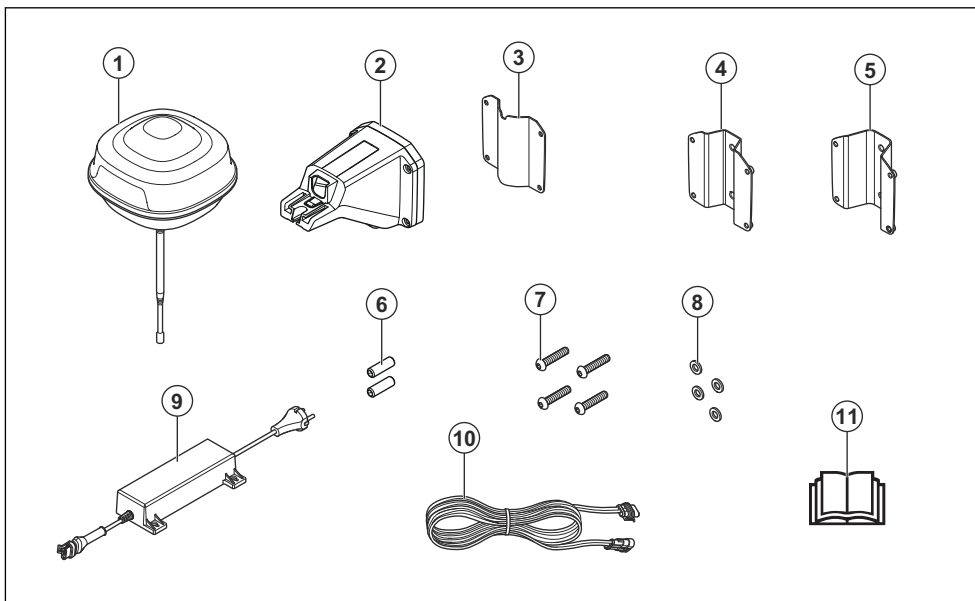
des points de réglage pour créer une carte dans une application.

#### 19.1.3 Description du produit

**Remarque:** Husqvarna met régulièrement à jour l'apparence et la fonctionnalité de ses produits. Reportez-vous à la section *Assistance à la page 23*.

Le produit est une station de référence qui reçoit des signaux satellites et envoie des données de correction à la tondeuse. Une station de référence peut être utilisée pour plusieurs robots tondeuses.

### 19.1.4 Aperçu du produit



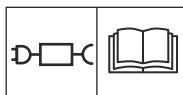
1. Station de référence
2. Bras
3. Support
4. Petit support de montant, pour montants de 32-44 mm
5. Grand support de montant, pour montants de 44-55 mm
6. Vis
7. Vis
8. Rondelles
9. Alimentation électrique<sup>3</sup>
10. Câble basse tension
11. Manuel de l'opérateur



Ce produit est conforme aux directives CE en vigueur.



Ce produit ne doit pas être jeté avec les déchets ménagers. Veuillez à le recycler conformément aux directives légales locales.



Utilisez une alimentation électrique amovible, telle que définie sur la plaque signalétique à côté du symbole.

### 19.1.5 Symboles concernant le produit

Ces symboles peuvent figurer sur le produit. Étudiez-les attentivement.

## 20 Sécurité

### 20.1 Définitions de sécurité

Des avertissements, des recommandations et des remarques sont utilisés pour souligner des parties spécialement importantes du manuel.

<sup>3</sup> L'aspect peut varier en fonction du marché





**AVERTISSEMENT:** Symbole utilisé en cas de risque de blessures ou de mort pour l'opérateur ou les personnes à proximité si les instructions du manuel ne sont pas respectées.



**REMARQUE:** Symbole utilisé en cas de risque de dommages pour le produit, d'autres matériaux ou les environs si les instructions du manuel ne sont pas respectées.

**Remarque:** Symbole utilisé pour donner des informations supplémentaires pour une situation donnée.

## 20.2 Consignes de sécurité pour le fonctionnement

### 20.2.1 Utilisation

- Le produit ne doit être utilisé qu'avec les équipements recommandés par le fabricant. Toute autre utilisation est incorrecte. Les instructions du fabricant concernant l'utilisation et l'entretien doivent être rigoureusement suivies.

- Le produit ne peut être utilisé, entretenu et réparé que par des personnes parfaitement familiarisées avec ses caractéristiques spéciales et connaissant les consignes de sécurité. Lisez attentivement et assimilez le manuel d'utilisation avant d'utiliser le produit.
- Husqvarna ne garantit en aucun cas la compatibilité totale entre le produit et d'autres types de dispositif sans fil comme des télécommandes, des transmetteurs radio, des boucles d'écoute, des clôtures électrifiées enterrées pour animaux ou autres.
- Vous n'êtes pas autorisé à modifier la conception originale du produit. Toutes les modifications effectuées sont à vos risques et périls.
- La température de fonctionnement est comprise entre -20 °C et 45 °C / -4 °F et 113 °F. La température de remisage est comprise entre -20 °C et 70 °C / -4 °F et 158 °F.

### 20.2.2 En cas d'orage

Pour réduire le risque d'endommagement des composants électriques de la station de référence, nous recommandons de déconnecter l'alimentation de la station de référence en cas de risque d'orage. Raccordez de nouveau l'alimentation électrique lorsqu'il n'y a aucun risque d'orage.

## 21 Installation

### 21.1 Introduction – Installation



**AVERTISSEMENT:** assurez-vous de lire et de comprendre le chapitre dédié à la sécurité avant d'installer le produit.



**REMARQUE:** Utilisez des pièces de rechange et du matériel d'installation d'origine.

**Remarque:** reportez-vous à la section [www.husqvarna.com](http://www.husqvarna.com) pour obtenir plus d'informations sur l'installation.

### 21.2 Détermination de l'emplacement de la station de référence



**REMARQUE:** Si un paratonnerre se trouve à proximité, n'installez pas la station de référence plus haut que le paratonnerre.

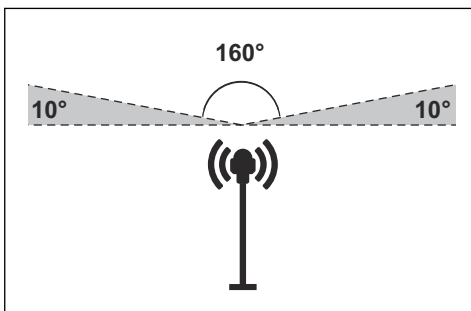


**REMARQUE:** N'installez pas la station de référence sur un mât. Les mouvements de la station de référence affectent les données de correction envoyées au produit avec la position exacte.

- Installez la station de référence sur un objet fixe qui ne peut pas bouger ou pivoter.
- Installez la station de référence sur un montant ou un mur. Le montant doit mesurer 32-55 cm / 1.26-1.37 po de diamètre pour pouvoir installer les accessoires sur la station de référence.

**Remarque:** si la station de référence est installée sur un mur, sa partie supérieure doit se trouver au-dessus du mur. Il ne doit pas y avoir de métal dans le mur.

- La station de référence doit avoir une vue complète du ciel. Le ciel doit être visible sans obscurcissement dans toutes les directions au-dessus de l'angle d'élévation de 10°.



- Installez la station de référence à une hauteur minimum de 2.5 m / 8 pi.
- La distance maximale entre la station de référence et le produit est de 500 m / 1640 pi lorsque la visibilité est dégagée. Les objets entre la station de référence et le produit réduisent la distance.
- Installez la station de référence à l'endroit où le signal radio atteint toutes les parties de la zone de travail. Les grands objets peuvent bloquer les signaux radio.
- Il est recommandé d'avoir une visibilité dégagée entre le produit et la station de référence pour des performances optimales.

### 21.3 Détermination de l'emplacement du bloc d'alimentation



**AVERTISSEMENT:** Ne coupez pas le câble basse tension. Il y a un risque de choc électrique.



**REMARQUE:** Assurez-vous que les lames du robot tondeuse ne coupent pas les câbles d'alimentation.

- Placez le bloc d'alimentation dans une zone protégée par un toit et à l'abri du soleil et de la pluie.
- Placez le bloc d'alimentation dans une zone bien ventilée.
- Utilisez un disjoncteur différentiel (RCD) pour brancher le bloc d'alimentation à la prise de courant.
- Si nécessaire, prolongez le câble basse tension. Le câble basse tension peut être prolongé jusqu'à 100 m / 328 pi.

### 21.4 Installation du produit

Assurez-vous de lire et de comprendre les instructions relatives à la station de référence. Reportez-vous à la section *Détermination de l'emplacement de la station de référence* à la page 25.

Lisez le manuel d'utilisation du robot tondeuse à utiliser avec la station de référence.

Vous pouvez installer la station de référence sur un montant ou un mur.



**AVERTISSEMENT:** respectez les réglementations nationales applicables à la sécurité électrique.



**AVERTISSEMENT:** Le produit doit être utilisé uniquement avec le bloc d'alimentation fourni par Husqvarna.



**AVERTISSEMENT:** N'installez pas le bloc d'alimentation à une position impliquant un risque d'exposition à l'humidité. N'installez pas le bloc d'alimentation sur le sol.



**AVERTISSEMENT:** N'enfermez pas le bloc d'alimentation. De l'eau de condensation peut endommager le bloc d'alimentation et augmenter le risque de choc électrique.



**AVERTISSEMENT:** risque de choc électrique. Installez uniquement un disjoncteur différentiel de fuite à la terre (DDFT) pour connecter l'alimentation électrique à la prise murale, applicable aux États-Unis et au Canada. Si l'alimentation est installée en extérieur : risque de choc électrique. Installez-le uniquement dans un réceptacle GFCI de classe A (RCD) couvert, doté d'un boîtier résistant aux intempéries avec le capuchon de la fiche de fixation inséré ou retiré.



**AVERTISSEMENT:** Le câble d'alimentation électrique et le câble de rallonge doivent se trouver hors de la zone de travail pour éviter d'endommager les câbles.



**AVERTISSEMENT:** Il y a un risque de chute lors de l'installation de la station de référence en position haute. Assurez-vous que la position est stable lors de l'installation de la station de référence.



**AVERTISSEMENT:** Il existe un risque de chute d'objets pendant l'installation de la station de référence. Cela peut entraîner des blessures.



**REMARQUE:** Les mouvements de la station de référence affectent les données de correction envoyées au produit avec la position exacte. La station de référence doit être correctement installée sur le montant ou le mur.



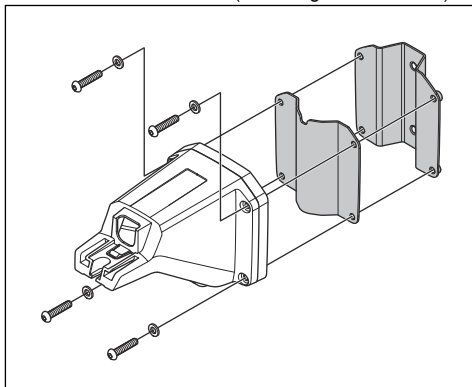
**REMARQUE:** Les éléments de la carte changent de position si vous déplacez la station de référence. Ajustez les éléments sur la carte ou effectuez à nouveau l'installation dans l'application Automower® Connect.

### 21.4.1 Outils d'installation

- Tournevis, Torx 20.
- Clé hexagonale, 4 mm. Incluse dans le carton.

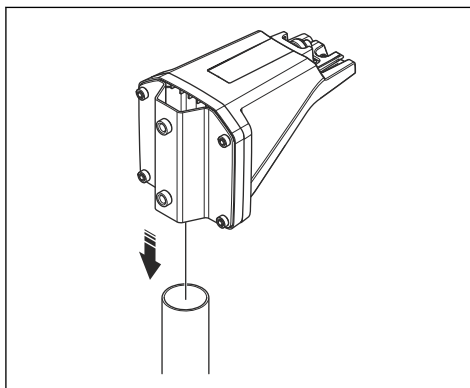
### 21.4.2 Pour installer la station de référence sur un montant

1. Fixez fermement le montant à un mur, à un toit ou au sol. Assurez-vous que le montant ne peut pas bouger ou être déplacé accidentellement.
2. Fixez le support et l'un des supports de montant au bras à l'aide des 4 vis (clé hexagonale de 4 mm).



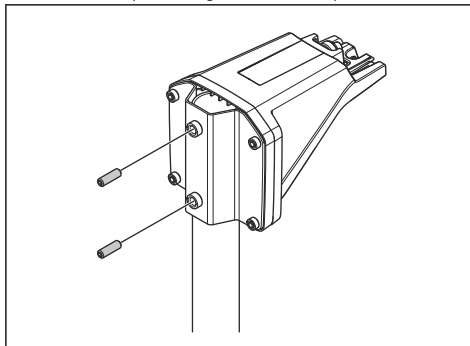
**Remarque:** Les supports existent en 2 dimensions pour s'adapter aux différentes dimensions du montant. Sélectionnez le support de montant correspondant à votre installation.

3. Placez le bras sur le montant.

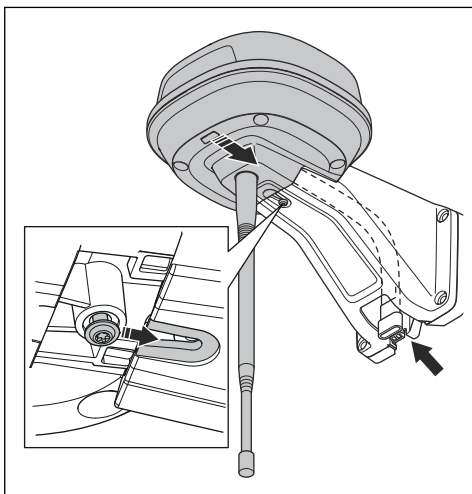


**Remarque:** la station de référence doit être installée en haut du montant.

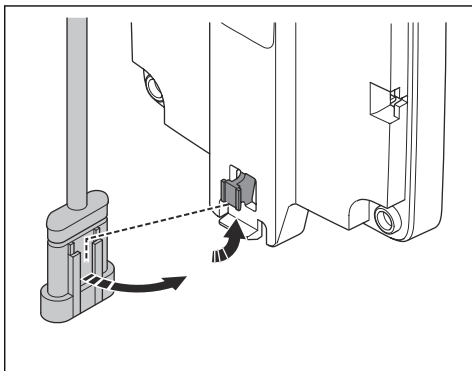
4. Fixez la station de référence au montant à l'aide des 2 vis (clé hexagonale de 4mm).



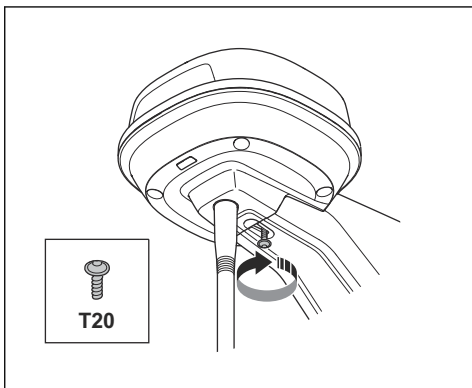
5. Tirez le câble de la station de référence dans la fente du bras et installez la station de référence sur le bras.



6. Fixez le connecteur aux attaches du bras.



7. Serrez la vis (Torx T20) sur le bras de la station de référence.



8. Raccordez le câble basse tension à la station de référence et à l'alimentation électrique. Reportez-vous à la section *Détermination de l'emplacement du bloc d'alimentation* à la page 26.
9. Fixez le câble basse tension au montant entre la station de référence et l'alimentation à l'aide de serre-câbles.



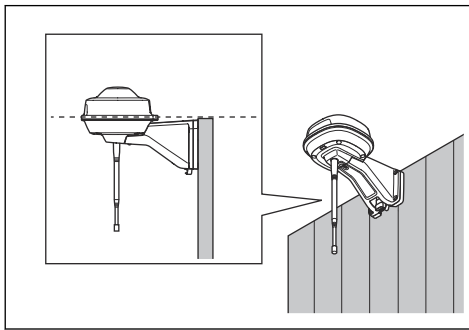
**REMARQUE:** Si le câble basse tension n'est pas correctement fixé à l'aide de serre-câbles, il peut être endommagé par le vent.

10. En extérieur, placez l'alimentation à une hauteur minimale de 30 cm / 12 po du sol.
11. Branchez le câble d'alimentation électrique sur une prise murale de 100-240 V.
12. Patientez jusqu'à ce que le voyant d'état soit vert et fixe. Le voyant d'état clignote d'abord en vert pendant quelques minutes. Reportez-vous à la section *Témoin LED sur la station de référence* à la page 30.

### 21.4.3 Pour installer la station de référence sur un mur

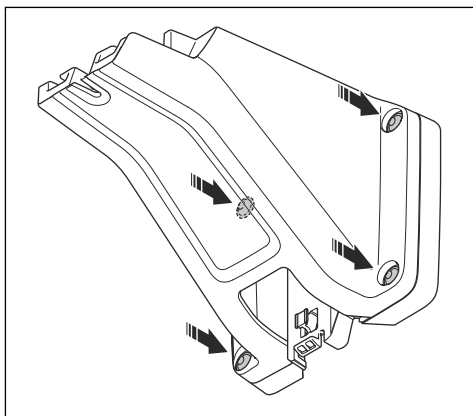
**Remarque:** comme les matériaux muraux varient, les vis de fixation au mur ne sont pas incluses.

1. Tenez le bras de la station de référence sur le mur à l'endroit où vous le fixez. Faites 4 repères sur le mur à l'endroit où vous voulez fixer les 4 vis.

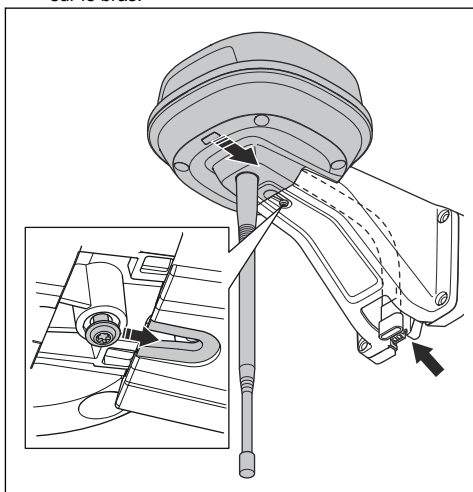


**Remarque:** si la station de référence est installée sur un mur, la partie supérieure de la station de référence doit se trouver au-dessus du mur.

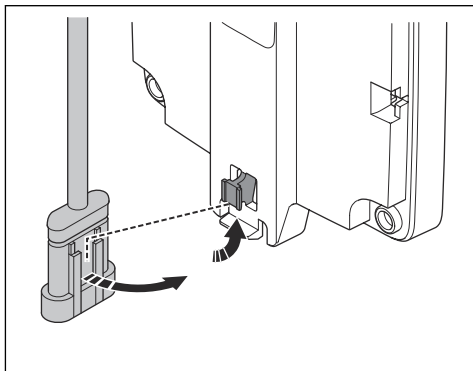
2. Percez 4 trous dans le mur pour les 4 vis.
3. Installez la station de référence sur le mur à l'aide de 4 vis.



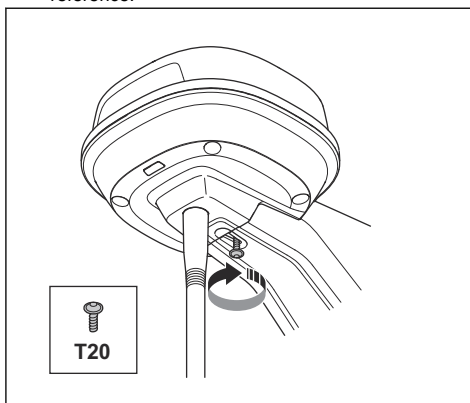
4. Placez le câble de la station de référence dans la fente du bras et installez la station de référence sur le bras.



5. Fixez le connecteur aux attaches du bras.



6. Serrez la vis (Torx T20) sur le bras de la station de référence.



7. Raccordez le câble basse tension à la station de référence et à l'alimentation électrique.
8. Fixez le câble basse tension au mur entre la station de référence et l'alimentation à l'aide de serre-câbles.



**REMARQUE:** Si le câble basse tension n'est pas correctement fixé à l'aide de serre-câbles, il peut être endommagé par le vent.

9. En extérieur, placez l'alimentation à une hauteur minimale de 30 cm / 12 po du sol. Reportez-vous à la section *Détermination de l'emplacement du bloc d'alimentation* à la page 26.
10. Branchez le câble d'alimentation électrique sur une prise murale de 100-240 V.
11. Patientez jusqu'à ce que le voyant d'état soit vert et fixe. Le voyant d'état clignote d'abord en vert pendant quelques minutes. Reportez-vous à la section *Témoin LED sur la station de référence* à la page 30.

---

## 22 Entretien

---

### 22.1 Introduction - entretien

Vérifiez l'installation chaque année.

1. Assurez-vous que le montant est bien fixé.
2. Vérifiez les couples de serrage de toutes les vis.

Vis	Outil	Couple de serrage (Nm)
Station de référence au bras	Torx 20	1,8
Bras au montant	Clé hexagonale, 4 mm	5-6
Bras, support et support de montant	Clé hexagonale, 4 mm	5-6

### 22.2 Nettoyez le produit



**AVERTISSEMENT:** Débranchez le produit de l'alimentation électrique avant toute opération de maintenance ou de nettoyage.



**REMARQUE:** N'utilisez jamais un nettoyeur à haute pression pour nettoyer le produit et la station de référence. N'utilisez pas de solvants pour le nettoyage.

Si nécessaire, nettoyez la station de référence avec un chiffon humide.

---

## 23 Dépannage

---

### 23.1 Témoin LED sur la station de référence

Voyant	Statut
Lumière verte clignotante	Démarrage de la station de référence. Cela peut prendre quelques minutes.
Lumière verte fixe	En cours de fonctionnement.
Lumière rouge clignotante	La station de référence ne fonctionne pas en raison d'une erreur.
Lumière blanche clignotante	Une mise à jour du firmware est nécessaire. Contactez votre représentant Husqvarna local.

---

## 24 Remisage et mise au rebut

---

### 24.1 Remisage

Si vous remisagez la station de référence à l'intérieur, maintenez le bras installé sur le montant ou au mur pour pouvoir réinstaller la station de référence dans sa position d'origine.

Si vous gardez la station de référence à l'extérieur pendant l'hiver, nous vous recommandons de maintenir l'alimentation électrique connectée.

### 24.2 Mise au rebut

Respectez les consignes locales de recyclage et la réglementation en vigueur.

---

## 25 Caractéristiques techniques

---

### 25.1 Caractéristiques techniques

Dimensions	
Longueur, longueur max. avec plaque pour post-installation cm / po	36 / 13,8
Largeur, cm/po.	19 / 7,5
Hauteur, cm/po.	36 / 13,8
Poids, station de référence kg / lb	0,88 / 1,9
Poids, bras kg / lb	0,33 / 0,73

Station de référence	
Type d'unité d'alimentation électrique	ADP-40BR
Entrée d'alimentation, V CA	100-240
Sortie d'alimentation, V CC	28
Sortie d'alimentation, A	1,3
Câble basse tension, longueur m/pi.	20 / 66
Classification IP	IPX5
Consommation électrique, W	2

Bandes de fréquence prises en charge	
Bluetooth® Plage de fréquences (pour l'entretien)	2400,0-2483,5 MHz
SRD868 (Europe)	863-870 MHz
SRD915 (Amérique du Nord)	902-928 MHz

Classe de puissance	
Bluetooth® Puissance de sortie (pour l'entretien)	8 dBm
SRD868 (Europe)	13 dBm
SRD915 (Amérique du Nord)	13 dBm

La compatibilité totale entre le produit et d'autres types de systèmes sans fil tels que les télécommandes et les émetteurs radio ne peut pas être garantie.

### 25.2 Marques déposées

La marque et les logos *Bluetooth®* sont des marques déposées appartenant à *Bluetooth SIG, inc.*, et toute utilisation de ces marques par Husqvarna est régie par une licence.

---

## 26 Garantie

---

### 26.1 Conditions de garantie

Husqvarna® garantit le fonctionnement de ce produit pendant deux ans (à compter de la date d'achat). Cette

garantie couvre les dysfonctionnements graves liés aux matériaux ou vices de fabrication. Pendant la période de garantie, nous remplacerons le produit ou le réparerons

sans frais supplémentaires si les conditions suivantes sont remplies :

- Le produit ne peut être utilisé qu'en conformité avec les instructions de ce manuel d'utilisation. La présente garantie n'a aucun effet sur les recours à la garantie à l'encontre du revendeur/fournisseur.
- Les utilisateurs ou tiers non autorisés ne doivent en aucun cas essayer d'effectuer des réparations sur le produit.

Exemples de pannes non couvertes par la garantie :

- Dommages causés par l'infiltration d'eau suite à l'utilisation d'un nettoyeur haute pression.

- Dommages provoqués par la foudre.
- Dommages causés par l'absence de pièces de rechange et d'accessoires Husqvarna d'origine.
- Dommages causés par des changements ou modifications non autorisés sur le produit ou sur son alimentation.

Si une erreur survient avec votre produit Husqvarna, contactez votre représentant Husqvarna local pour de plus amples instructions. Gardez le reçu et le numéro de série du produit à portée de main lorsque vous contactez le représentant Husqvarna local.

---

## 27 Applicable aux marchés US/CA

---

### 27.1 Déclaration de conformité du fournisseur

Distributeur : Husqvarna AB, Drottninggatan 2, S-561 82 Huskvarna, Sweden [www.husqvarnagroup.com](http://www.husqvarnagroup.com).

Partie responsable : Husqvarna Professional Products, Inc. 9335 Harris Corners Parkway Suite 500 Charlotte, NC 28269 United States U.S. Contact information: Michael Campbell, Sr Director Quality, test compliance, Telephone: +1 704 597 5000.

### 27.2 Exigences de conformité

**ID FCC : MCQ-XBSX** (station de référence).

**FCC ID ZASHQ-BLE-1D** (Bluetooth®).

Le module Bluetooth et le module radio sont situés à l'intérieur de la station de référence. Seul un technicien de maintenance agréé peut y accéder.



**AVERTISSEMENT:** Afin de satisfaire aux exigences en matière d'exposition aux radiofréquences, veuillez conserver une distance d'au moins 20 cm/ 7 pouces avec toute partie du produit.

---

**Remarque:** tout changement ou modification apporté à cet équipement non expressément approuvé par Husqvarna peut annuler l'autorisation de la FCC d'utiliser cet équipement.

---

**Remarque:** cet appareil est conforme à la partie 15 de la réglementation FCC [et avec les normes RSS d'exonération de licence Industry Canada]. Son utilisation est soumise aux deux conditions suivantes : cet appareil ne doit pas entraîner d'interférences dangereuses et doit accepter toute interférence reçue, y compris des interférences qui peuvent provoquer un fonctionnement non souhaité.

---

**Remarque:** cet équipement a été testé et jugé conforme aux limites imposées aux appareils numériques de classe B, conformément à la partie 15 de la réglementation FCC. Ces limites sont conçues pour fournir une protection raisonnable contre les interférences nuisibles dans les installations résidentielles. Cet équipement génère, utilise et peut émettre une énergie de fréquence radio, et, s'il n'est pas installé et utilisé conformément aux instructions, peut provoquer des interférences nuisibles aux communications radio. Cependant, rien ne garantit l'absence d'interférences dans une installation particulière. Si cet appareil provoque des interférences nuisibles à la réception radiophonique ou télévisuelle, ce qui peut être déterminé en allumant et en éteignant l'appareil, l'utilisateur est encouragé à essayer de corriger ces interférences en appliquant une ou plusieurs des mesures suivantes :

- Réorientez ou déplacez l'antenne de réception.
- Augmentez la distance entre l'équipement et le récepteur.
- Raccordez l'équipement à une prise sur un circuit différent de celui sur lequel est raccordé le récepteur.
- Consultez le revendeur ou un technicien radio/TV expérimenté pour obtenir de l'aide.



**AVERTISSEMENT:** Cancer et problèmes reproductifs - [www.P65Warnings.ca.gov](http://www.P65Warnings.ca.gov).

---











**Husqvarna**<sup>®</sup>

AUTOMOWER<sup>®</sup> is a trademark owned by Husqvarna AB.  
Copyright<sup>®</sup> 2020 HUSQVARNA. All rights reserved.

[www.husqvarna.com](http://www.husqvarna.com)

---

Original instructions  
Instrucciones originales  
Instructions d'origine

1142402-38



2020-11-19