

350 Art. 2555
350 Duo Art. 2558

D **Gebrauchsanweisung**
Turbotrimmer

GB **Operating Instructions**
Turbotrimmer

F **Mode d'emploi**
Turbofil

NL **Gebruiksaanwijzing**
Turbotrimmer

S **Bruksanvisning**
Turbotrimmer

I **Istruzioni per l'uso**
Turbotrimmer

E **Manual de instrucciones**
Turbotrimmer

P **Instruções de utilização**
Aparador de relva Turbo

TR **Kullanma Talimatı**
Turbo Çim Kesme Aleti

FIN **Käyttöohje**
Turbotrimmeri

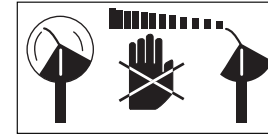
GR **Οδηγίες χρήσεως**
Κουρευτικό πετονιάς

DK **Brugsanvisning**
Turbotrimmer

Beachten Sie die Sicherheits-
hinweise auf dem Gerät:
Please adhere to the following
safety instructions:
Veuillez observer les instructions
de sécurité figurant sur l'appareil:
Houdt u zich aan de veiligheids-
voorschriften op het apparaat:
Följ bruksanvisningen noga:
Attenzione ai simboli di sicurezza
sull'attrezzo:
Observen las indicaciones de
seguridad en el aparato:
Por favor siga atentamente as in-
struções de segurança fornecidas
no aparelho:
Lütfen güvencik talimatlarını
uyunuz:
Noudata seuraavia turvallisuu-
ohjeita:
Παρακαλούμε ακολουθείτε πάντα
τις παρακάτω οδηγίες προστασίας
και ασφάλειας:
lagttag sikkerhedshenvisningerne
på apparatet:



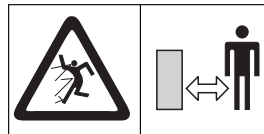
Vor Regen und Nässe schützen!
Do not use in rain or wet con-
ditions!
Protégez l'appareil de la pluie
et de l'humidité!
Niet aan vocht blootstellen!
Använd inte maskinen i regn
eller fuktig miljö!
Proteggere da pioggia ed umidità!
¡Proteja el aparato de la lluvia y
la humedad!
Proteja o aparelho da chuva e da
humidade!
Aleti yagmurda ve islak havalarda
kullanmayin!
Älä käytä sateella tai kosteissa
olosuhteissa!
Μην το χρησιμοποιείτε σε βροχή
ή σε συνθήκες υγρασίας!
Beskyt mod regn og fugtighed!



Werkzeug läuft nach!
Tool goes behind!
Attention ! Après avoir lâché
l'interrupteur, le système de coupe
continue de tourner quelques
instants.
Machine loopt na!
Varning! Skärverktyget fortsätter
att rotera ett tag efter motorn
stängts av!
Attenzione! Appena spento,
l'attrezzo gira ancora alcuni istanti
per inerzia.
Atenção! Após desligar o inter-
ruptor, o aparelho ainda continua
em movimento durante alguns
instantes.
Alet kapatıldıktan sonra kesim
işlemi bir süre devam eder.
Varo pyörivää siimaa virran
katkaisun jälkeen.
Προσοχή το μοτέρ περιστρέφεται
ακόμη.
Værktøjet standser ikke straks!



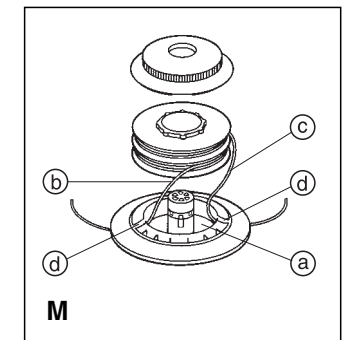
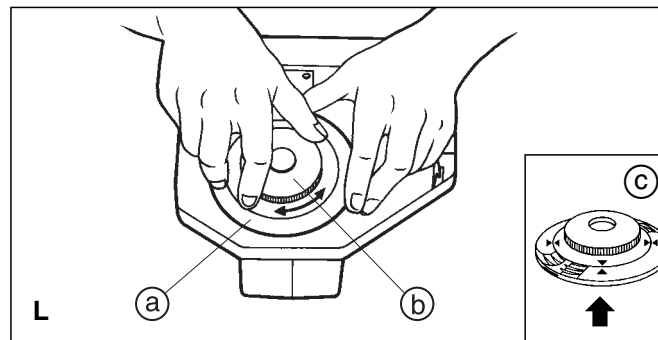
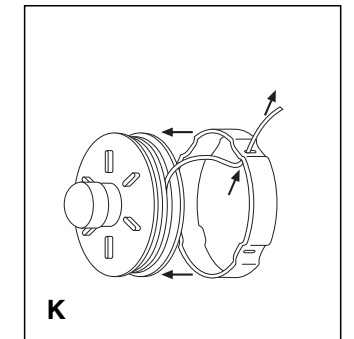
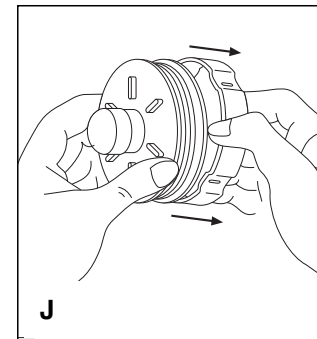
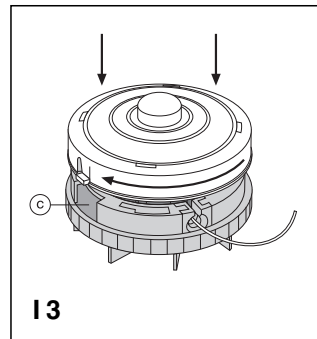
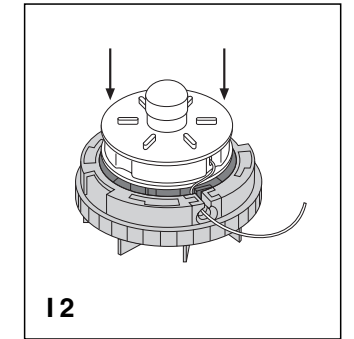
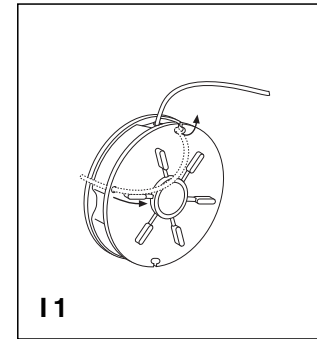
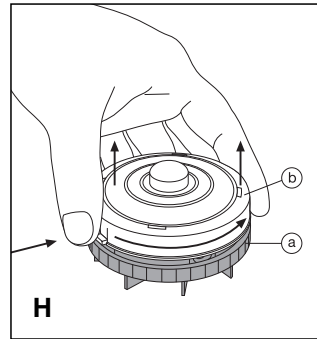
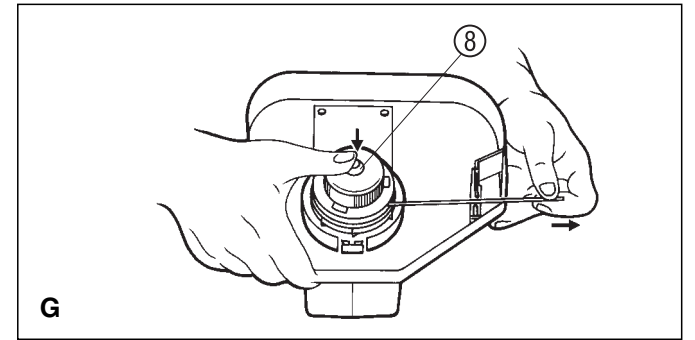
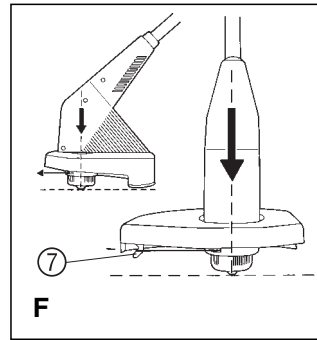
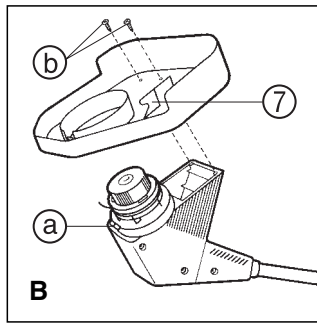
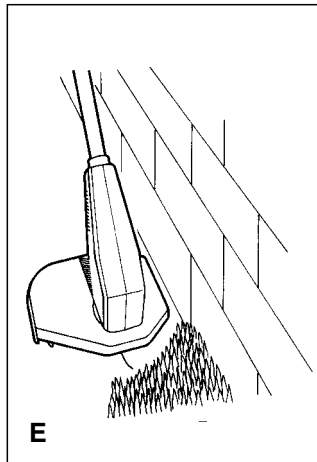
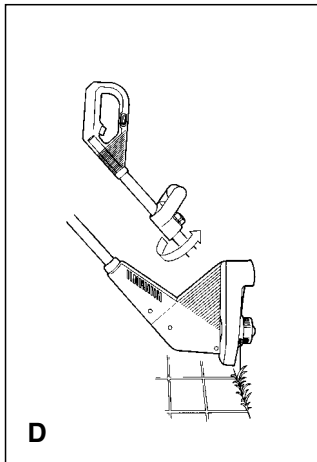
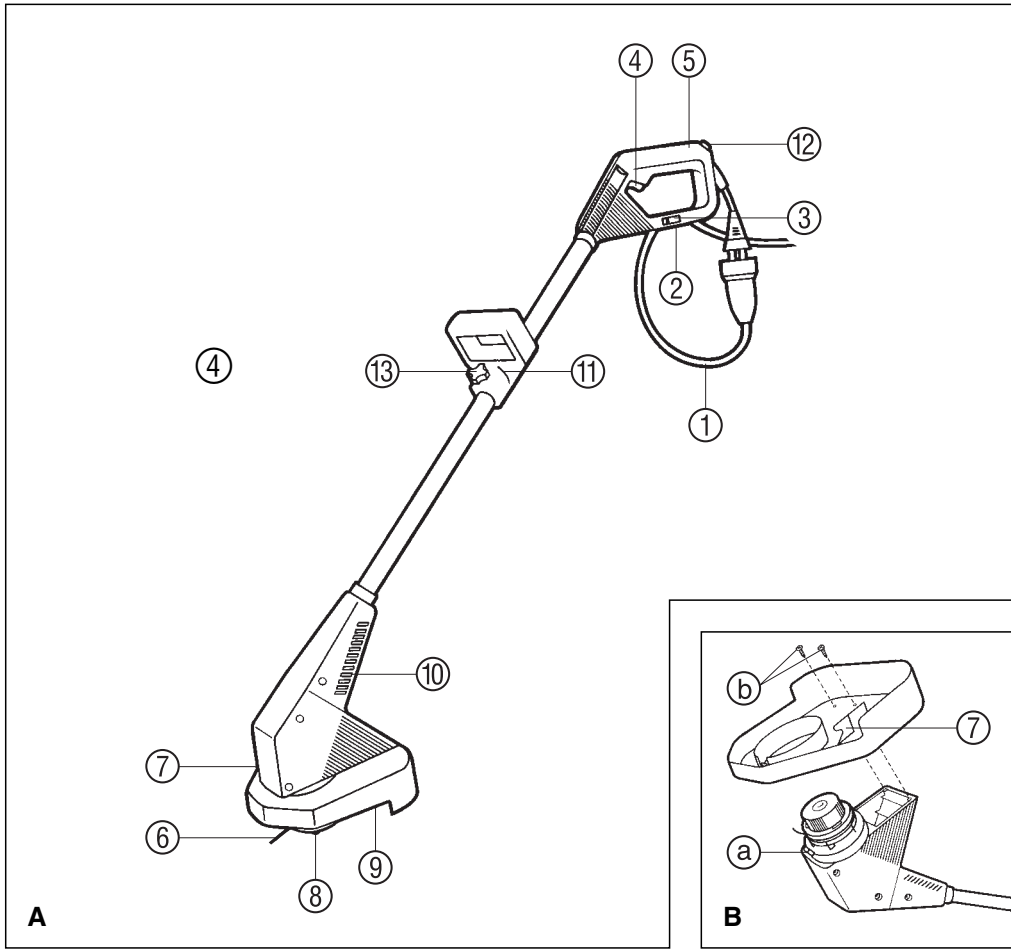
Warnung! Vor Inbetriebnahme
Gebrauchsanweisung lesen!
Warning! Read instruction
handbook!
Attention ! Merci de lire atten-
tivement le mode d'emploi
avant d'utiliser cet appareil !
Let op! Voor ingebruikname
de gebruiksaanwijzing lezen!
OBS! Läs igenom bruksanvis-
ningen noga före användning!
Attenzione! Prima di mettere
in funzione l'attrezzo leggere
le istruzioni per l'uso!
¡Atención! Antes de la puesta
en marcha, lea el manual de
instrucciones.
Atenção! Leia o Manual de
instruções antes do uso!
Dikkat! Çalıştırmadan önce
kullanma talimatını okuyunuz!
Varoitus! Ennen käyttöönottoa,
lue käyttöohjeet!
Προσοχή! Διαβάστε τις
οδηγίες χειρισμού πριν το
χρησιμοποιήσετε!
Advarsel! Før igangsætning
skal brugsanvisningen læses!



Dritte aus dem Gefahrenbereich
fernhalten!
Keep bystanders away!
Maintenez tout tiers hors de la
zone de travail !
Houdt omstanders uit de buurt!
Tillse att inga obehöriga vistas
i området!
Tenere lontano i terzi dalla zona
di lavoro!
¡Mantener alejados a terceros
del área de trabajo!
Mantenha terceiros fora da área
de perigo!
İşi olmayanların çalışma alanının
dışında tutun!
Pidä ulkopuoliset vaara-alueen
ulkoruolella!
Κρατήστε τρίτα άτομα μακριά
από το χώρο εργασίας, υπάρχει
κίνδυνος!
Andre personer må ikke komme
ind i fareområdet!



Augenschutz tragen!
Wear eye protection!
Portez des lunettes de protection !
Draag oogbescherming!
Använd skyddsglasögon!
Indossare occhiali di protezione!
¡Use gafas de protección!
Use protecção nos seus olhos!
Koruyucu gözlük takınız!
Käytä suojalaseja!
Φοράτε προστατευτικά γυαλιά!
Anvend øjenværn!



GARDENA Turbotrimmer 350 / 350 Duo


1. Technical data

	TT 350	TT 350 Duo
Power consumption	350 W	350 W
Mains voltage	230 V	230 V
Frequency	50/60 Hz	50/60 Hz
Fadenstärke	1.6 mm	1.6 mm
Cord strength	230 mm	250 mm
Cutting width	6 m	2 × 5 m
Weight	1.6 kg	2.0 kg
Rpm of cord cartridge	12,000 rpm	12,000 rpm
Working area related emission characteristic value $L_{pA}^{1)}$	84 dB (A)	88 dB (A)
Noise level $L_{WA}^{2)}$	90 dB (A)	94 dB (A)
Vibrations $a_{vhw}^{1)}$	< 2.5 ms^{-2}	4.7 ms^{-2}

Measuring method ¹⁾ according to EN 786 ²⁾ according to 84/538/EC

2. Information regarding the operating instructions

Please read and follow these operating instructions carefully. Familiarise yourself with the unit's features, the controls, its proper use and the safety instructions included.

 **For safety reasons children under the age of 16 or people who are not familiar with these operating instructions should not use this turbo-trimmer.**

Please keep these operating instructions in a safe place.

3. Product use


The GARDENA Turbotrimmers 350 / 350 Duo are designed for trimming/cutting lawn areas in private house and hobby gardens.

These trimmers are for private use only and are not designed

for use in public facilities, parks, sporting grounds, on roads, in agriculture or forestry.

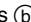
It is essential to observe the manufacturer's operating instructions to ensure the unit's proper functioning. These instructions


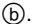
also contain advice for service, maintenance and repair.

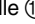

 **Attention! For safety reasons the unit must not be used for hedge trimming or for chopping up for composting.**



4. Assembly (ill. A/B)

Turbotrimmer 350 only

Before beginning work, fasten the enclosed safety cover by means of the screws  attached to the casing:

1. Press the cover onto the casing.
2. Ensure that the snap hooks  snap properly!
3. Tighten screws .

Before you start working, adjust the additional handle  to the most appropriate working position and tighten it with the tightening screw .

 **Be careful with the cutting blade/cord limiter , whilst assembling the safety cover. Risk of injury!**

5. Using the product (ill. A/C-F)

5.1 How to connect the Turbotrimmer to the mains (ill. A)

Insert the extension cable ① into the holding device ② and secure in the holder ③ by turning. To switch on, depress pressure switch ④ on handle ⑤. The turbotrimmer will switch off as soon as the pressure switch ④ is released.

⚠ The safety devices installed by the manufacturer must not be removed or by-passed, e.g. by binding the on/off switch to the handle. This will prevent the trimmer switching off automatically, and may cause serious injury.

Attention! The trimming cord will take a while to stop running after the unit is switched off.

5.2 Working position (ill. A/C)

Simply lift the Turbotrimmer by its handle ⑤ or additional handle ⑩, with the cutting head slightly tilted forwards.

5.3 Trimming along lawn edges and in awkward places (ill. A/D)

For vertical cutting, turn the additional handle ⑪. Then hold the Turbotrimmer with both hands (on the handle ⑤ and the additional handle ⑩) and turn the unit to the cutting position.

5.4 Trimming along the base of walls, trees and fences (ill. E)

Guide the Turbotrimmer with the left side of the cover at a short distance along hard objects and surfaces.

5.5 Removing dirt from joints between pavers

Hold the unit in such way that the cutting cord runs slightly above the paved ground.

5.6 Automatic cord lengthening with the motor running (ill. F)

The cord's wear depends on the individual job; if it is too short, lengthen it.

A clean cut will only be achieved with the maximum cord length.

Tap your Turbotrimmer **sharply** on the ground. **Avoid sustained depression.** Ensure that the

cutting head is parallel to the ground. The cord will automatically lengthen. Listen for an audible switching action. If the cord is too long, it will be automatically adjusted to the correct length by the cord limiter ⑦.

5.7 Manual cord lengthening (ill. A/G)

The cord's wear depends on the individual job; if it is too short, lengthen it.

1. **Disconnect the mains plug!**
2. Depress the release ⑧. At the same time manually pull out the cutting cord(s) until it stops. If necessary, repeat this procedure until the cord ⑥ just projects over the edge of the safety cover.

While the Turbotrimmer is being operated, the cord length is adjusted automatically as described under "Automatic cord lengthening".

⚠ Be careful with the cutting blade/cord limiter ⑦ whilst lengthening the cord by hand. Risk of injury!

6. Maintenance, service, storage (ill. A/H-M)

The GARDENA Turbotrimmers require minimal maintenance.

Make sure that the cooling air inlets ⑩ never become obstructed by dirt.

Remove grass clippings and dirt with a dry cloth or brush. Remove grass clippings and dirt from the safety cover ⑨ after every use.

Repairs may only be carried out by GARDENA Service Centres or dealers authorised by GARDENA.

⚠ Attention! Always disconnect the mains plug before working on the Turbo-

trimmer (checking, cleaning, maintenance). Risk of injury!

To avoid injury to persons and product damage: Never clean the Turbotrimmer with running water or with a water jet, in particular a high pressure water jet.

Store the Turbotrimmer in a dry place where it is protected from frost.

We recommend hanging storage to avoid unnecessary stress on the cutting head. The Turbotrimmer should be stored out of the reach of children.

Follow the manufacturer's instructions when replacing the cord cartridge.

6.1 How to replace the cord cartridge (ill. H-M)

Please use only original GARDENA cord cartridges:

Art.no. 5369
for Turbotrimmer 350

Art.no. 5372
for Turbotrimmer 350 Duo

You can order these cord cartridges from your GARDENA dealer or directly from the GARDENA Customer Service.

Never use metallic cutting cartridges or spare parts and accessories which have not been defined by the manufacturer!

Turbotrimmer 350 (ill. A/H-K)

Disassembly (ill. H)

1. **Disconnect the mains plug!**
2. Put the trimmer on rubber buffers ⑫.
3. Hold the spool holder ①.
4. Release the cover ② by turning to the left and pressing the locking clip (ill. H). Remove the spool.

Assembly (ill. I1-I3)

5. Remove any dirt.
6. Pull the filament of the replacement spool out of the transport holder (hole and notch) (ill. I1).

⚠ Do not remove the filament brake! Then fit the spool in the spool holder and the filament in the metal case (ill. I2).

7. Hold the spool holder ①.
8. Replace the cover. Ensure that the clip is in the recess ③. Press down the cover and turn it to the right until **you hear it click into place** (ill. I3).

Turbotrimmer 350 Duo (ill. A/L/M)

Disassembly

1. **Disconnect the mains plug!**
2. Put the trimmer on rubber buffers ⑫.

7. Advice for proper use / Safety instructions

⚠ Inspect the unit before each use

Make a visual check of the Turbotrimmer before each use.

Do not use the Turbotrimmer, if safety devices (push button, safety cover) and/or the cord cartridge are damaged or worn. Never bypass safety devices.

3. Keep the reel holder ① in a fixed position (ill. L).
4. Unlock the cover ② by turning it to the left, remove the filament cassette (ill. M).

Assembly

5. ill. M: Insert the lower filament first ③, then the upper filament ④ in the filament guides ⑤ of the reel holder ①, then insert the reel completely in the reel holder ①.
6. ill. L: Keep the reel holder ① in a fixed position, insert the cover ②, press down – onto reel holder ① – and secure by turning to the right **until it stops**. Ensure that the marks ③ on the filament holder ① and on the filament holder cover ② match perfectly.

Ensure correct working position before switching on the unit.

6.2 Recessed string (ill. J/K)

If the string is drawn in the filament cassette, proceed as follows:

1. **Disconnect the mains plug!**
2. To remove the filament cassette read chapter 6.1.
3. Take hold of the plastic ring on filament cassette between your thumb and forefinger and press it together. Remove the plastic ring to release the string (ill. J).

⚠ Inspect the area to be cut before and during work. Remove any foreign objects such as stones.

If, in spite of care, you come into contact with an obstruction whilst cutting, turn off the trimmer and remove it.

Check the unit for possible damage and have it repaired, if necessary.

4. Unwind about 10 cm of the string and fix it in the notch of the reel.
5. Guide the string end through the lug of the plastic ring and back again onto the reel (ill. K).
6. To re-insert the filament cassette read chapter 6.1.

Ensure correct working position before switching on the unit.

If you have any problem with your Turbotrimmer, please contact our Customer Service or return the defective unit together with a short description of the problem and, if covered under guarantee, with a copy of the receipt, directly to one of the GARDENA Service Centres listed on the back of this leaflet.

We expressly point out that, in accordance with the product liability law, we are not liable for any damage caused by our units if it is due to improper repair or if parts exchanged are not original GARDENA parts or parts approved by us, and, if the repairs were not carried out by a GARDENA Service Centre or an authorised specialist. The same applies to spare parts and accessories.

⚠ Use/Responsibility

This Turbotrimmer can cause serious injuries!

Use the unit only for purposes specified in these operating instructions.

You are responsible for the safety in the working area.

Make sure that there are no other people (especially children) or animals within or near the working area.

Never use the Turbotrimmer if safety devices are damaged or defective!

Disconnect the mains plug after use. Check the Turbo-trimmer, especially the cord cartridge regularly and replace it, if necessary.

Wear an eye shield or goggles!

Wear sturdy shoes and long trousers to protect your legs. Keep fingers and feet away from the cutting cord – above all when starting work.

Ensure that you have secure foothold whilst working. The electrical cable should always be kept away from the cutting area.

Attention! Take extra care when walking backwards. You may stumble.

Only work when visibility is good.

 Interrupting work

Never leave the Turbotrimmer unattended in the working place. If you stop work, store the trimmer in a safe place. Disconnect the mains plug!

Should you stop work in order to get to another working place, always switch off the Trimmer, wait until the tool stops and disconnect the mains plug!

 Work place safety

Make yourself familiar with the surroundings and look out for dangers which you may not detect due to machinery noise.

Never use the unit when it rains or in damp/wet areas.

Do not operate the Turbo-trimmer in or near swimming pools and garden ponds.

 Electrical safety

Check the power cable regularly for damage and signs of wear and tear.

The Turbotrimmer must only be operated with an undamaged electrical cable. If the mains- or extension cable is damaged, disconnect the mains plug immediately.

The socket of an extension cable should be waterproof.

Only use permitted extension cables. Ask your electrician.

For portable units which are used outdoors, we recommend to use a fault circuit breaker.

In Switzerland use of a fault circuit breaker is obligatory.

EU Certificate of Conformity

The undersigned

GARDENA Kress + Kastner GmbH · Hans-Lorensen-Str. 40 · D-89079 Ulm

hereby certifies that, when leaving our factory, the units indicated below are in accordance with the harmonised EU guidelines, EU standards of safety and product specific standards.

This certificate becomes void if the units are modified without our approval.

Description of the unit:

Turbotrimmer

Types:

TT 350 / TT 350 Duo

Art. No.:

2555 / 2558

EU directives:

Machinery Directive 98/37/EC
Electromagnetic Compatibility
89/336/EC
Low Voltage Directive 73/23/EC
Directive 93/68/EC
Directive 2000/14/EC

Harmonised

European standard:

EN 292-1
EN 292-2
EN 786
EN 60335-1

Noise level:

measured/guaranteed
TT 350 90/91 dB (A)
TT 350 Duo 94/95 dB (A)

Year of CE marking:

1995

Ulm, 06.11.2001



Thomas Heint
Technical Dept. Manager

D

Garantie

GARDENA gewährt für dieses Produkt die gesetzliche Garantie (ab Kaufdatum). Diese Garantieleistung bezieht sich auf alle wesentlichen Mängel des Gerätes, die nachweislich auf Material- oder Fabrikationsfehler zurückzuführen sind. Sie erfolgt durch die Ersatzlieferung eines einwandfreien Gerätes oder durch die kostenlose Reparatur des eingesandten Gerätes nach unserer Wahl, wenn folgende Voraussetzungen gewährleistet sind:

- Das Gerät wurde sachgemäß und laut den Empfehlungen in der Gebrauchsanweisung behandelt.
- Es wurde weder vom Käufer noch von einem Dritten versucht, das Gerät zu reparieren.
- Die Verschleißteile Faden und Schneidkopf-Deckel sind von der Garantie ausgeschlossen.

Diese Hersteller-Garantie berührt die gegenüber dem Händler/Verkäufer bestehenden Gewährleistungsansprüche nicht.

GB

Guarantee

GARDENA honours the guarantee legally required for this product (starting from the date of purchase). This guarantee covers all serious defects of the unit that can be proved to be material or manufacturing faults. Under guarantee we will either replace the unit or repair it free of charge if following conditions apply:

- The unit must have been handled properly and in keeping with the requirements of the operating instructions.
- Neither the purchaser or a non-authorised third party have attempted to repair the unit.

- The string and the cutting head cover are wearing parts and are not covered by the guarantee.

This manufacturer's guarantee does not affect the user's existing warranty claims against the dealer/seller.

F

Garantie

GARDENA accorde pour cet appareil la garantie légale à compter du jour de l'achat. Elle comprend le remplacement gratuit des pièces défectueuses ou de l'appareil, le choix en étant laissé à la libre initiative de GARDENA. En tout état de cause s'applique la garantie légale couvrant toutes les conséquences des défauts ou vices cachés (article 1641 et suivants du Code Civil).

Pour que ces garanties soient valables, les conditions suivantes doivent être remplies :

- L'appareil a été manipulé de manière adéquate, suivant les instructions du mode d'emploi.
- Il n'y a eu aucun essai de réparation, ni par le client, ni par un tiers.
- Le fil de coupe et le couvercle de la tête de coupe sont des pièces d'usure et sont par conséquent exclus de la garantie.

Une intervention sous garantie ne prolonge pas la durée initiale de la garantie contractuelle.

Toutes les revendications dépassant le contenu de ce texte ne sont pas couvertes par la garantie, quel que soit le motif de droit.

Pendant la période de garantie, le Service Après-Vente effectuera, à titre payant, les réparations nécessaires par suite de manipulations erronées.

NL

Garantie

GARDENA geeft op dit product de wettelijke garantie (vanaf de aankoopdatum). Deze garantie heeft betrekking op alle wezenlijke defecten aan het toestel, die aanwijsbaar op materiaal- of fabricagefouten berusten.

Garantie vindt plaats door de levering van een vervangend apparaat of door de gratis reparatie van het ingestuurde apparaat, naar onze keuze, indien aan de volgende voorwaarden is voldaan:

- Het apparaat werd vakkundig en volgens de adviezen in de gebruiksaanwijzing behandeld.
- Noch de koper, noch een derde persoon heeft getracht het apparaat te repareren.
- De aan slijtage onderhevige draad en de snijkopdeksel vallen niet onder de garantie.

Deze garantie van de producent heeft geen betrekking op de ten aanzien van de handelaar/verkoper bestaande aansprakelijkheid.

S

Garanti

GARDENA lämnar den enligt Europeisk lag gällande garantin för denna produkt. Garantin gäller från inköpsdatum. Denna garanti täcker alla allvarliga defekter på maskinen som kan bevisas vara materiella fel eller tillverkningsfel. Under garantitiden repareras eller utbytes enheten utan kostnad under följande förutsättningar:

- Enheten måste ha skötts och använts i enlighet med bruksanvisningen.
- Varken köparen eller en icke auktoriserad tredje part får ha försökt reparera enheten.
- Tråd och kåpa (slitagedelar) undantages från denna garanti.

Deutschland

GARDENA Kress + Kastner GmbH
GARDENA Service
Hans-Lorensen-Straße 40
D-89079 Ulm
Produktfragen: (07 31) 490-123
Reparaturen: (07 31) 490-290

Argentina

Argensem S.A.
Venezuela 1075
(1618) El Talar - Buenos Aires

Australia

NYLEX Corporation Ltd.
25-29 Nepean Highway
P.O. Box 68
Mentone, Victoria 3194

Austria

GARDENA Österreich Ges. m.b.H.
Stettnerweg 11-15
2100 Korneuburg

Belgium

MARKT (Belgium) NV/SA
Sterrebeekstraat 163
1930 Zaventem

Brazil

M. Cassab
Av. das Nações Unidas, 20.882
Santo Amaro, CEP 04795-000
São Paulo - S.P.

Bulgaria / България

ДЕНЕКС ООД
бул. „Черни връх“ 43
София 1407

Canada

GARDENA Canada Ltd.
100, Summerlea Road
Brampton, Ontario
Canada L6T 4X3

Chile

Antonio Martinic Y CIA. LTDA.
Gilberto Fuenzalida 185 Loc.
Las Condes - Santiago de Chile

Costa Rica

Compania Exim
Euroiberoamericana S.A.
350 Sur del Automercado
Los Yoses
San Pedro

Cyprus

FARMOKIPIKI LTD
P.O. Box 7098
74, Digeni Akrita Ave.
1641 Nicosia

Czech Republic

GARDENA spol. s.r.o.
Řipská 20
62700 Brno

Denmark

GARDENA Danmark A/S
Naverland 8
2600 Glostrup

Finland

Habitec Oy
Martinkyläntie 52
01720 Vantaa

France

GARDENA France
Service Après-Vente
BP 50080
95948 ROISSY CDG Cedex

Great Britain

GARDENA UK Ltd.
27-28 Brenkley Way
Blezard Business Park
Seaton Burn
Newcastle upon Tyne
NE13 6DS

Greece

Agrokip G. Psomadopoulos & Co.
20, Lykourgou str.
Kallithea - Athens

Hungary

GARDENA Magyarország Kft.
Késmárk utca 22
1158 Budapest

Iceland

Heimilistaeki hf
Saetun 8
P.O. Box 5340
125 Reykjavik

Republic of Ireland

Michael McLoughlin & Sons
Hardware Limited
Long Mile Road
Dublin 12

Italy

GARDENA Italia S.r.l.
Via Donizetti 22
20020 Lainate (Mi)

Japan

KAKUDAI Mfg. Co. Ltd.
1-4-4, Itachibori Nishi-ku
Osaka 550

Luxembourg

Magasins Jules Neuberg
Grand Rue 30
Case Postale No. 12
Luxembourg 2010

Netherlands

MARKT (Holland) BV
Postbus 219
1380 AE Weesp

Neth. Antilles

Jonka Enterprises N.V.
Sta. Rosa Weg 196
P.O. Box 8200
Curaçao

New Zealand

NYLEX New Zealand Limited
Private Bag 94001
South Auckland Mail Centre
10 Offenhauser Drive
East Tamaki, Manukau

Norway

GARDENA Norge A/S
Postboks 214
2013 Skjetten

Poland

GARDENA Polska Sp. z o.o.
Szymanów 9 d
05-532 Baniocza

Portugal

MARKT (Portugal), Lda.
Recta da Granja do Marquês
Edif. GARDENA
Algueirão
2725-596 Mem Martins

Russia / Россия

АО АМИДА ТТЦ
ул. Мосфильмовская 66
117330 Москва

Singapore

Variware
Holland Road Shopping Centre
227-A 1st Fl., Unit 29
Holland Avenue
Singapore 1027

Slowenia / Croatia

Silk d.o.o. Trgovina
Brodišče 15
1236 Trzin

South Africa

GARDENA South Africa (Pty.) Ltd.
P.O. Box 11534
Vorna Valley 1686

Spain

ANMI Andreu y Miriam S.A.
Calle Pere IV, 111
08018 Barcelona

Sweden

GARDENA Svenska AB
Box 9003
20039 Malmö

Switzerland

GARDENA Kress + Kastner AG
Bitziberg 1
8184 Bachenbülach

Ukraine / Украина

АОЗТ АЛЪЦЕСТ
ул. Гайдара 50
г. Киев 01033

Turkey

Dost Diş Ticaret Mümessilik A.Ş.
Yeşilbağlar Mah. Başkent
Cad. No. 26
Pendik - İstanbul

USA

GARDENA
3085 Shawnee Drive
Winchester, VA 22604

2555-20.960.05/0011
GARDENA Kress + Kastner GmbH
Postfach 27 47, D-89070 Ulm
<http://www.gardena.com>