

# DIXON<sup>®</sup> ZTR<sup>®</sup>

## Parts Manual

**SPDZTR 42 / 966657601**  
**SPDZTR 42 BF / 966657701**



Please read the operator's manual carefully and make sure you understand the instructions before using the machine.

Gasoline containing up to 10% ethanol (E10) is acceptable for use in this machine. The use of any gasoline exceeding 10% ethanol (E10) will void the product warranty.

When you need spare parts or support in service questions, warranty issues, etc., please consult the following professional:

This Parts Manual belongs to the machine with the manufacturing number:	Engine	Transmission

### Manufacturing Number

*The machine's manufacturing number can be found on the printed plate affixed to the engine compartment.*

Stated on the plate, from the top are:

- The machine's type designation (I.D.).
- The manufacturer's type number (Model).
- The machine's serial number (Serial no.)

*Please have the type designation and serial number available when ordering spare parts.*

The engine's manufacturing number is stamped on one of the valve covers.

The plate states:

- The engine's model.
- The engine's type.
- Code

*Please have these available when ordering spare parts.*

The wheel motors and hydrostatic pumps have a barcode decal affixed at the rear.

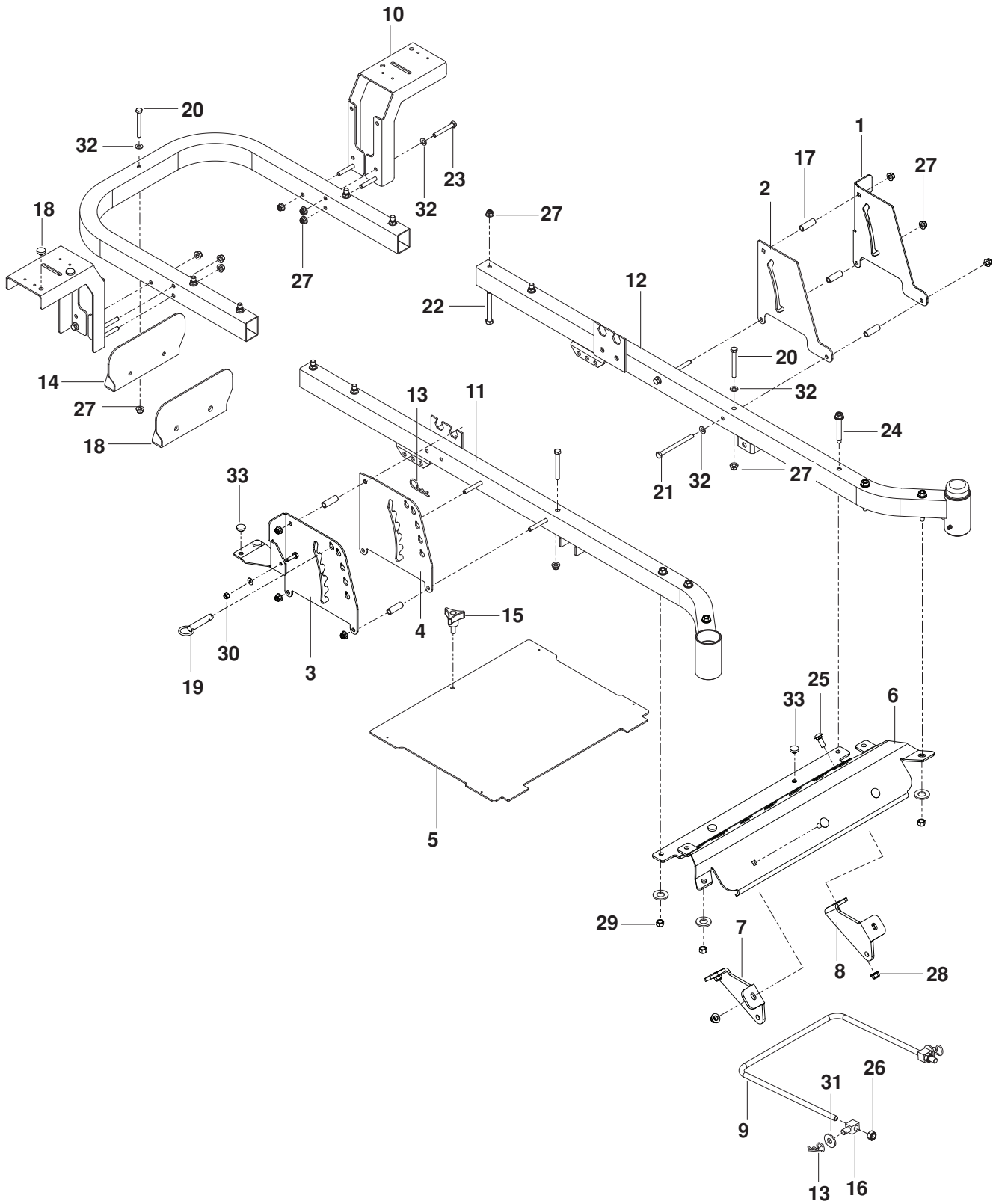
# CONTENTS

---

FRAME.....	4
ENGINE PLATE	
966657601 .....	6
966657701 .....	8
STEERING .....	10
IGNITION.....	12
BRAKE / LIFT.....	14
HYDRAULIC PUMP- MOTOR.....	16
WHEELS AND TIRES.....	18
MOWER DECK / CUTTING DECK.....	20
SEAT .....	22
DECALS.....	24

NOTE: ALL FASTENERS ARE GRADE 5 UNLESS OTHERWISE SPECIFIED.

# FRAME



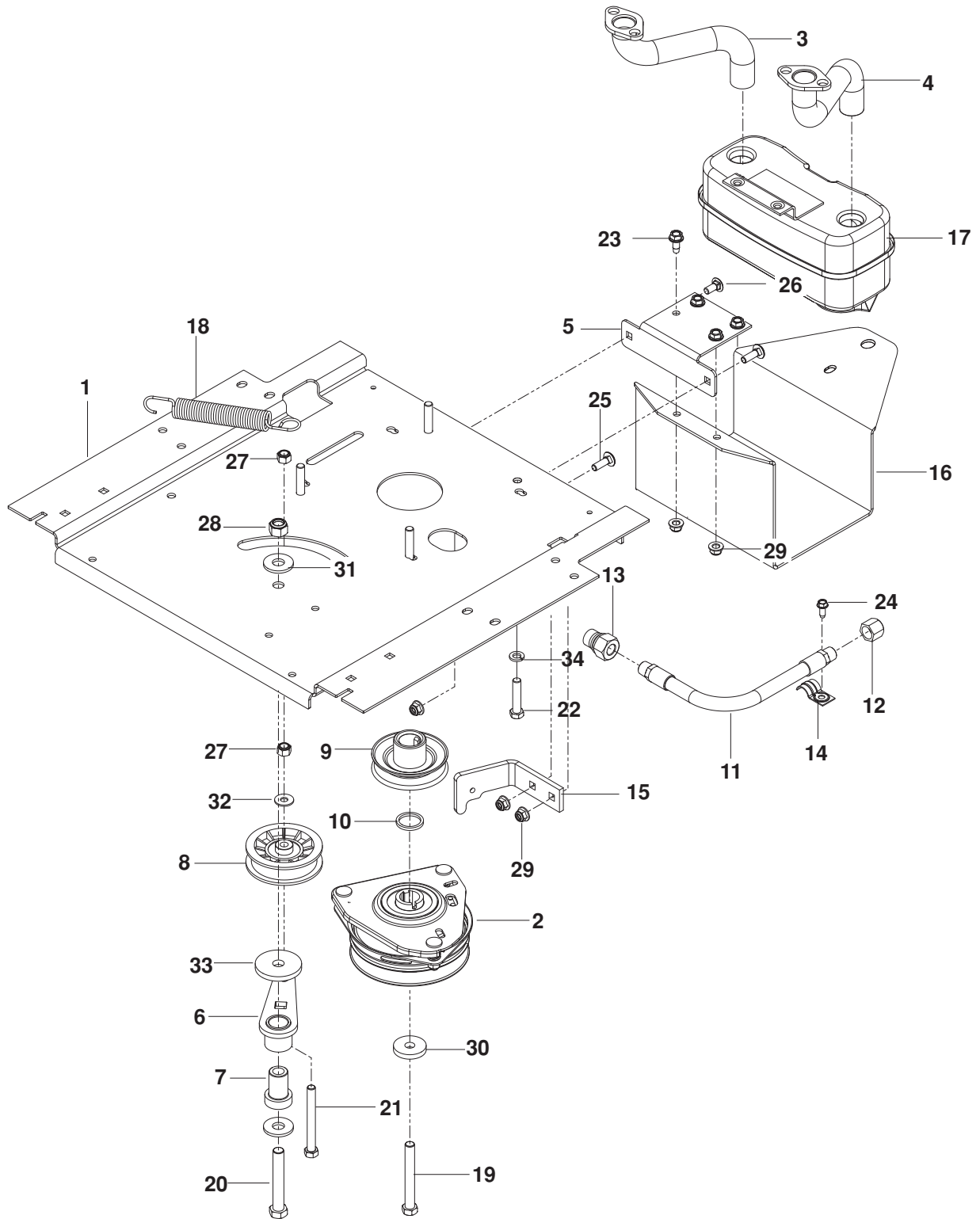
# FRAME

---

ITEM	PART NO.	QTY.	DESCRIPTION	ITEM	PART NO.	QTY.	DESCRIPTION
1..	510 261802....	1....	PLATE, OUTER BRAKE BLK	18..	578 132901....	1....	SHIELD, HEAT
2..	510 206703....	1....	PLATE, BRAKE LATCH BLK	19..	539 102526....	1....	LIFT PIN
3..	510 245604....	1....	PLATE, LIFT OUTER BLK	20..	539 101721....	3....	HCS 5/16-18 x 2 3/4
4..	510 240502....	1....	PLATE, LIFT INNER BLK	21..	539 102335....	4....	HCS 5/16-18 x 4
5..	522 842904....	1....	FOOT PLATE w/DECALS	22..	539 101341....	8....	HCS 3/8-16 x 3
6..	522 740704....	1....	FOOT REST BLU	23..	539 976938....	6....	HCS 5/16-18 x 2 1/4
7..	522 443302....	1....	MOUNT, STRUT RT BLK	24..	539 111976....	6....	BOLT 3/8-16 x 2 5/8 THD FRM
8..	522 443304....	1....	MOUNT, STRUT LT BLK	25..	539 990645....	4....	RHSNB 3/8-16 x 1
9..	521 938101....	1....	LINK, FRONT SUSPENSION	26..	539 119124....	2....	NUT 7/16-14 HEX NYLOC
10..	510 225902....	2....	SUPPORT, FENDER BLK	27..	539 112899..	15....	NUT 5/16-18 HEX FLG NYLOC
11..	510 177504....	1....	FRAME, FRONT RT BLU	28..	521 996501....	8....	NUT 3/8-16 HEX FLG NYLOC
12..	510 177404....	1....	FRAME, FRONT LT BLU	29..	539 200282....	6....	NUT 3/8-16 HEX JAM NYLOC
13..	539 976989....	3....	HAIRPIN	30..	539 976978....	2....	NUT 1/4-20 HEX NYLOC
14..	576 748202....	1....	PLATE, HITCH BLU	31..	539 109554....	2....	WASHER 1/2 FLT
15..	539 104411....	1....	KNOB w/ STUD	32..	539 990188..	13....	WASHER 5/16 SAE FLT
16..	539 114789....	2....	SWIVEL	33..	539 102587....	6....	GROMMET, BUMPER
17..	515 988101....	6....	SPACER 1 1/2				

# ENGINE PLATE

966657601



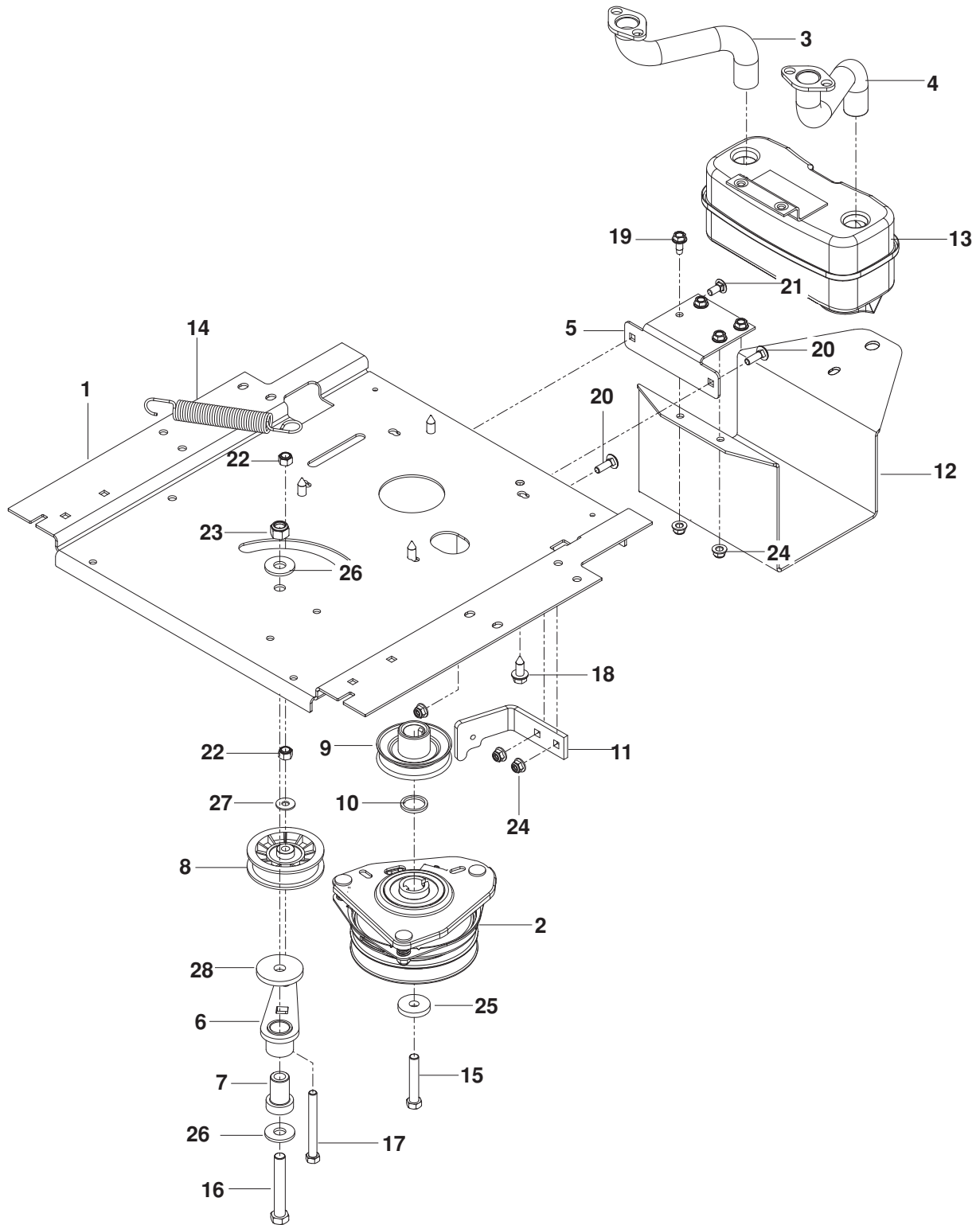
# ENGINE PLATE

---

ITEM	PART NO.	QTY.	DESCRIPTION	ITEM	PART NO.	QTY.	DESCRIPTION
1..	575 327002....	1....	PLATE, ENGINE BLK	20..	539 103433....	1....	HCS 1/2-13 x 3 1/4
2..	532 400008....	1....	CLUTCH	21..	539 109389....	1....	HCS 3/8-16 x 3 1/2
3..	532 424765....	1....	TUBE, EXHAUST RT	22..	539 976949....	4....	HCS 3/8-16 x 1 3/4
4..	432 424766....	1....	TUBE, EXHAUST LT	23..	539 107475....	4....	BOLT 5/16-18 x 3/4 THD FRM
5..	510 260402....	1....	BRACKET, MUFFLER BLK	24..	539 990362....	1....	SCREW 1/4-20 x 5/8 THD FRM
6..	539 112092....	1....	ARM, IDLER	25..	539 990208....	2....	RHSNB 5/16-18 x 1
7..	539 101231....	1....	SPINDLE, IDLER	26..	539 990316....	2....	RHSNB 5/16-18 x 3/4
8..	539 110311....	1....	PULLEY, IDLER	27..	539 976979....	2....	NUT 3/8-16 HEX NYLOC
9..	539 114530....	1....	PULLEY, ENGINE	28..	539 101331....	1....	NUT 1/2-13 HEX NYLOC
10..	539 115326....	1....	SPACER	29..	539 112899....	5....	NUT 5/16-18 HEX FLG NYLOC
11..	539 101362....	1....	HOSE, DRAIN	30..	539 110064....	1....	WASHER, CLUTCH
12..	539 101364....	1....	PLUG, OIL	31..	539 109554....	2....	WASHER 1/2 FLT
13..	522 599001....	1....	ADAPTER, OIL DRAIN	32..	539 990692....	2....	WASHER 5/16 STD FLT
14..	539 101363....	1....	CLAMP	33..	539 112670....	1....	WASHER, HEAVY
15..	522 442506....	1....	STOP, CLUTCH BLK	34..	539 990118....	4....	WASHER 3/8 SPLT LK
16..	510 260502....	1....	GUARD, MUFFLER BLK				NOT SHOWN
17..	539 131604....	1....	MUFFLER ASSY		532 198316 ...	1....	ADAPTER, CLUTCH
18..	532 196105....	1....	SPRING, DECK DRIVE		539 598601 ...	1....	PIGTAIL
19..	576 968001....	1....	HCS 7/16-20 x 2 1/2				

# ENGINE PLATE

966657701



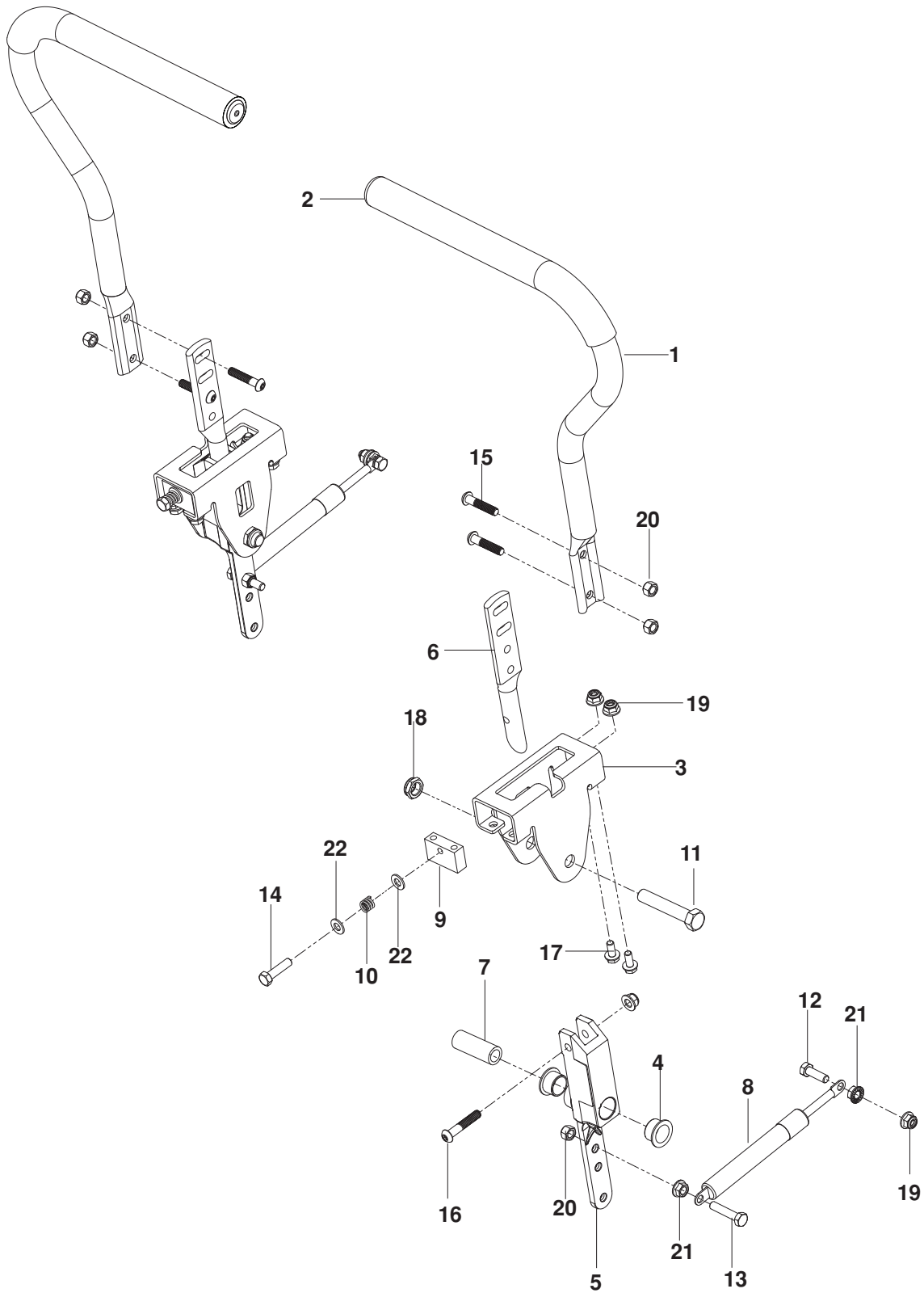


# ENGINE PLATE

---

ITEM	PART NO.	QTY.	DESCRIPTION	ITEM	PART NO.	QTY.	DESCRIPTION
1..	575 327002....	1....	PLATE, ENGINE BLK	17..	539 109389....	1....	HCS $\frac{3}{8}$ -16 x 3 $\frac{1}{2}$
2..	532 400008....	1....	CLUTCH	18..	532 120616....	4....	HHFS $\frac{3}{8}$ -16 x 1 THD FRM
3..	532 159955....	1....	TUBE, EXHAUST RT	19..	539 107475....	4....	BOLT $\frac{5}{16}$ -18 x $\frac{3}{4}$ THD FRM
4..	532 160589....	1....	TUBE, EXHAUST LT	20..	539 990208....	2....	RHSNB $\frac{5}{16}$ -18 x 1
5..	510 260402....	1....	BRACKET, MUFFLER BLK	21..	539 990316....	2....	RHSNB $\frac{5}{16}$ -18 x $\frac{3}{4}$
6..	539 112092....	1....	ARM, IDLER	22..	539 976979....	2....	NUT $\frac{3}{8}$ -16 HEX NYLOC
7..	539 101231....	1....	SPINDLE, IDLER	23..	539 101331....	1....	NUT $\frac{1}{2}$ -13 HEX NYLOC
8..	539 110311....	1....	PULLEY, IDLER	24..	539 112899....	5....	NUT $\frac{5}{16}$ -18 HEX FLG NYLOC
9..	539 114530....	1....	PULLEY, ENGINE	25..	539 110064....	1....	WASHER, CLUTCH
10..	539 115326....	1....	SPACER	26..	539 109554....	2....	WASHER $\frac{1}{2}$ FLT
11..	522 442506....	1....	STOP, CLUTCH BLK	27..	539 990692....	2....	WASHER $\frac{5}{16}$ STD FLT
12..	510 260502....	1....	GUARD, MUFFLER BLK	28..	539 112670....	1....	WASHER, HEAVY
13..	539 131604....	1....	MUFFLER ASSY				NOT SHOWN
14..	532 196105....	1....	SPRING, DECK DRIVE		532 198316 ...	1....	ADAPTER, CLUTCH
15..	576 968001....	1....	HCS $\frac{7}{16}$ -20 x 2 $\frac{1}{2}$				
16..	539 103433....	1....	HCS $\frac{1}{2}$ -13 x 3 $\frac{1}{4}$				

# STEERING

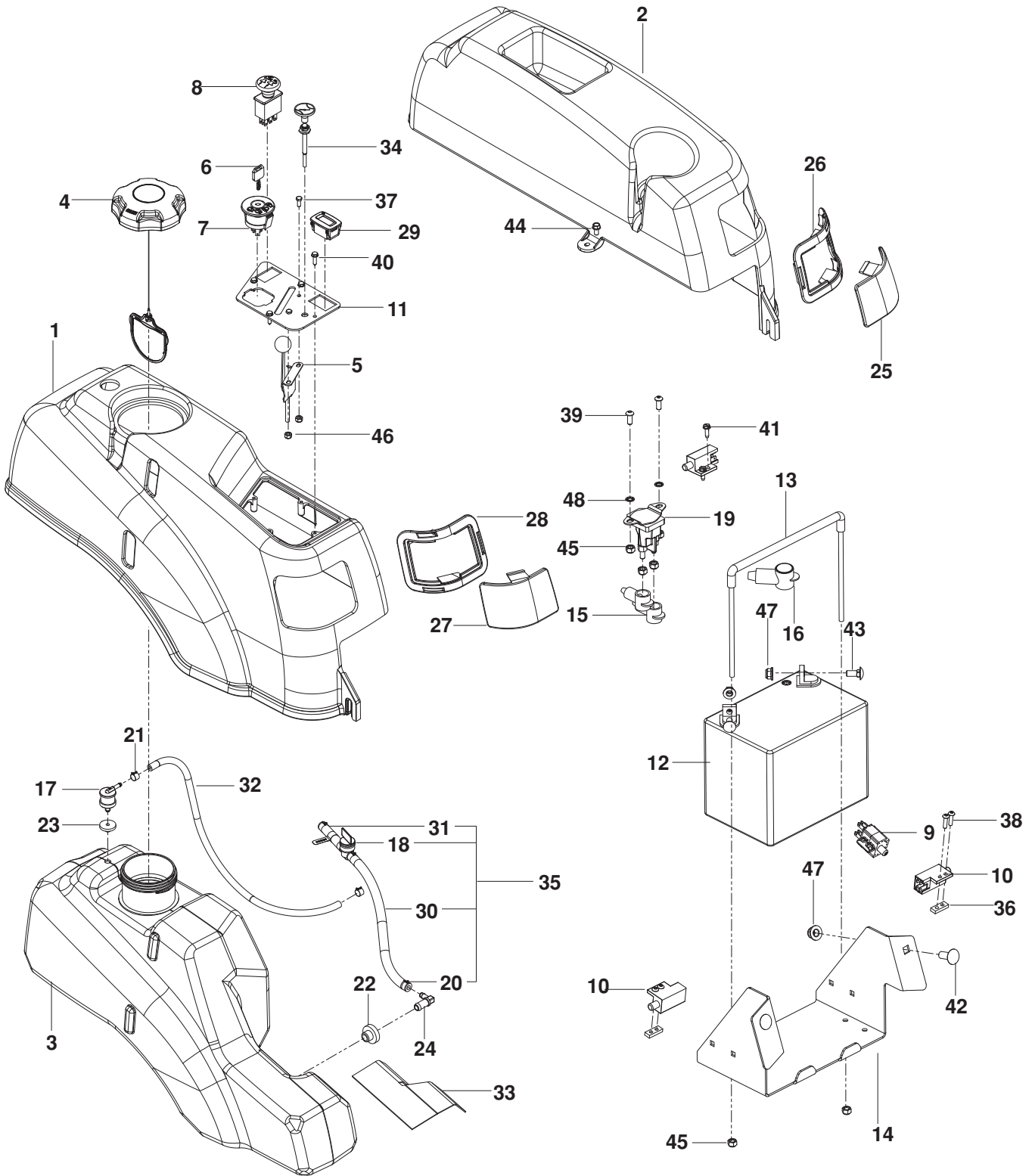


# STEERING

---

ITEM	PART NO.	QTY.	DESCRIPTION	ITEM	PART NO.	QTY.	DESCRIPTION
1..	579 036901....	2....	LEVER w/ GRIP	12..	539 990209....	2....	HCS $\frac{5}{16}$ -18 x 1
2..	525 392901....	2....	GRIP, FOAM	13..	539 976935....	2....	HCS $\frac{5}{16}$ -18 x $1\frac{1}{2}$
3..	577 251701....	2....	BRACKET, CONTROL	14..	539 101469....	2....	HCS $\frac{5}{16}$ -18 x $1\frac{1}{4}$
4..	539 131518....	4....	BEARING, FLANGE	15..	578 296401....	4....	SCREW $\frac{5}{16}$ -18 X 1 BTN HD
5..	576 140301....	2....	LEVER, CONTROL	16..	576 850402....	2....	SCREW $\frac{5}{16}$ -18 X $1\frac{3}{4}$ BTN HD
6..	577 420001....	2....	LEVER, HANDLE	17..	525 464701....	8....	HHFS $\frac{5}{16}$ -18 X $\frac{3}{4}$
7..	577 252401....	2....	SPACER, PIVOT CONTROL	18..	539 108010....	2....	NUT $\frac{1}{2}$ -13 HEX JAM NYL GR2
8..	539 102720....	2....	DAMPENER	19..	539 112899..	10....	NUT $\frac{5}{16}$ -18 HEX FLG NYLOC
9..	577 251801 ...	2....	BLOCK, TRACKING	20..	539 990717....	6....	NUT $\frac{5}{16}$ -18 HEX NYLOC
10..	539 102845....	2....	SPRING	21..	539 990585....	4....	NUT $\frac{5}{16}$ -18 HEX WHIZLK
11..	539 101332....	2....	HCS $\frac{1}{2}$ -13 x $2\frac{3}{4}$	22..	539 990188....	4....	WASHER $\frac{5}{16}$ SAE FLT

# IGNITION

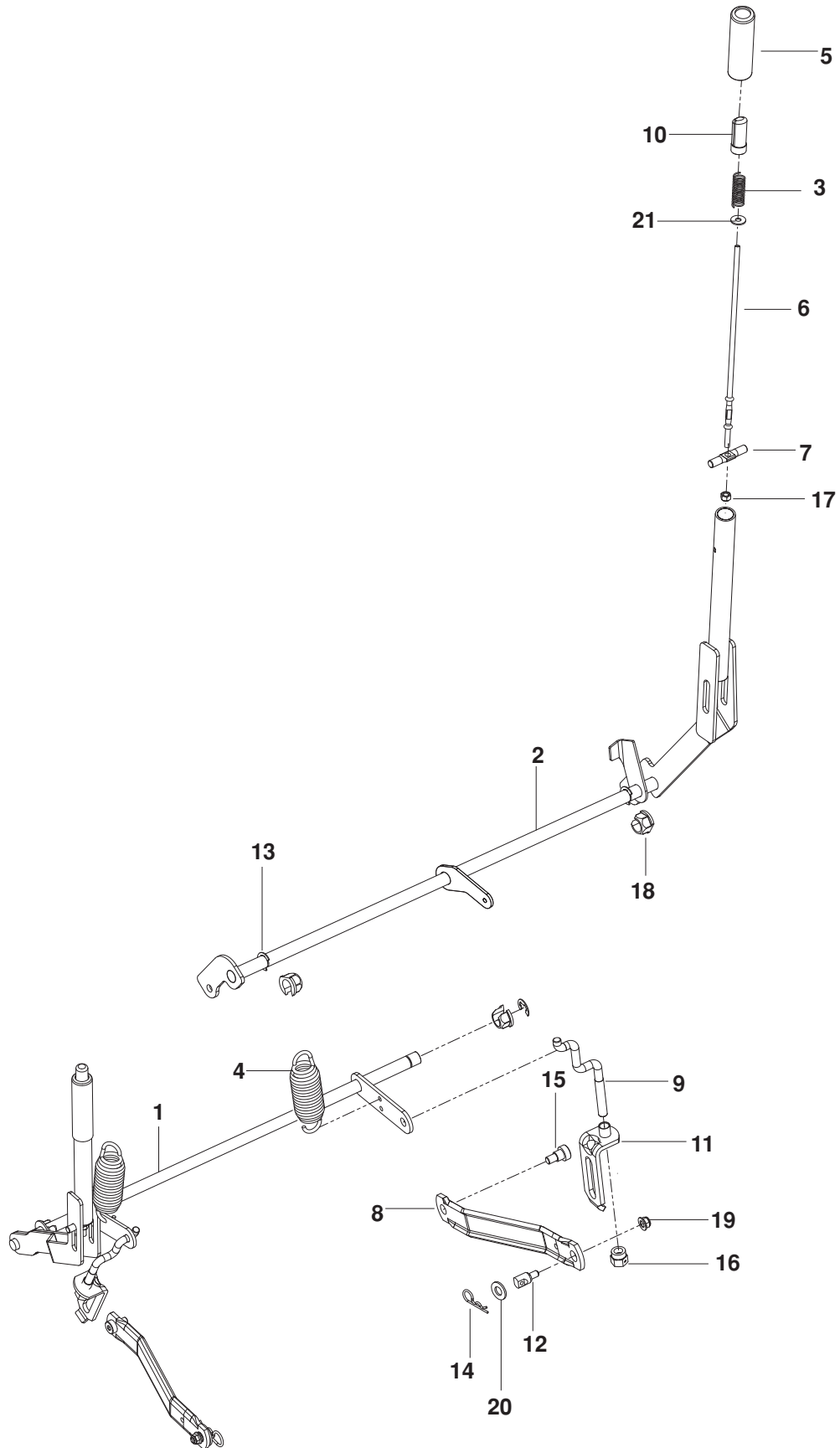


# IGNITION

---

ITEM	PART NO.	QTY.	DESCRIPTION	ITEM	PART NO.	QTY.	DESCRIPTION
1..	578 179001....	1....	FENDER, RT BLK	31..	539 104993....	1....	FUEL LINE 14" 966657601
2..	576 370501....	1....	FENDER, LT		505 215101 ...	1....	FUEL LINE 2½" 966657701
3..	578 178601....	1....	TANK, FUEL	32..	576 660602....	1....	HOSE, 48" 966657601
4..	575 018101....	1....	CAP, FUEL w/ TETHER		574 521305 ...	1....	HOSE, 20" 966657701
5..	539 112734....	1....	CABLE, THROTTLE	33..	522 559101....	1....	SHIELD, HEAT
6..	539 107544....	1....	KEY, IGNITION	34..	539 112439....	1....	CONTROL, CHOKE
7..	539 107541....	1....	SWITCH, IGNITION	35..	576 660702....	1....	FUEL LINE ASSY 966657601
8..	539 101768....	1....	SWITCH, CLUTCH		576 660701 ...	1....	FUEL LINE ASSY 966657701
9..	539 113792....	1....	SWITCH, BRAKE	36..	539 102678....	2....	PLATE, TAPPED
10..	539 101080....	3....	SWITCH, NC	37..	539 990411....	2....	SCREW 10-24 x ½ HEX HD
11..	539 112735....	1....	PANEL, CONTROL	38..	574 822701....	4....	SCREW 10-24 x ¾ SKT HD
12..	539 102436....	1....	BATTERY	39..	539 111229....	2....	SCREW ¼-20 x ⅝ BTN SKT
13..	539 131209....	1....	TIE DOWN, BATTERY	40..	539 110673....	2....	SCREW 10-24 x ¾ WSH HD
14..	510 231302....	1....	BOX, BATTERY BLK	41..	539 991034....	2....	SCREW 10-24 x ⅝ WSH HD
15..	539 116400....	3....	TERMINAL COVER	42..	539 990645....	2....	RHSNB ⅜-16 x 1
16..	539 102759....	1....	INSULATOR	43..	539 990316....	2....	RHSNB ⅝/16-18 x ¾
17..	576 618101....	1....	VALVE, FUEL CHECK	44..	539 108461....	2....	BOLT ¼-20 x ½
18..	539 916325....	1....	VALVE, FUEL	45..	539 976978....	5....	NUT ¼-20 HEX NYLOC
19..	539 101714....	1....	SOLENOID	46..	539 976977....	2....	NUT 10-24 HEX NYLOC
20..	539 912222....	4....	CLAMP, HOSE	47..	539 112899....	2....	NUT ⅝/16-18 HEX FLG NYLOC
21..	575 436501....	2....	CLAMP, HOSE	48..	539 990053....	2....	WASHER ¼ ITLW
22..	539 105245....	1....	GROMMET, RUBBER	NOT SHOWN			
23..	576 618201....	1....	GROMMET, CHECK VALVE		539 103306 ...	2....	POSITIVE CABLE, LONG
24..	539 110432....	1....	ELBOW		539 110068 ...	1....	BATTERY CABLE NEGATIVE
25..	576 371101....	1....	PANEL, LT		515 980501 ...	1....	HARNESS, WIRING
26..	576 370901....	1....	RING, LT BLK		505 280001 ...	4....	TIE, WIRE
27..	576 371201....	1....	PANEL, RT				
28..	576 371001....	1....	RING, RT BLK				
29..	576 179401....	1....	HOUR METER				
30..	539 932956....	1....	FUEL LINE 10"				

# BRAKE / LIFT

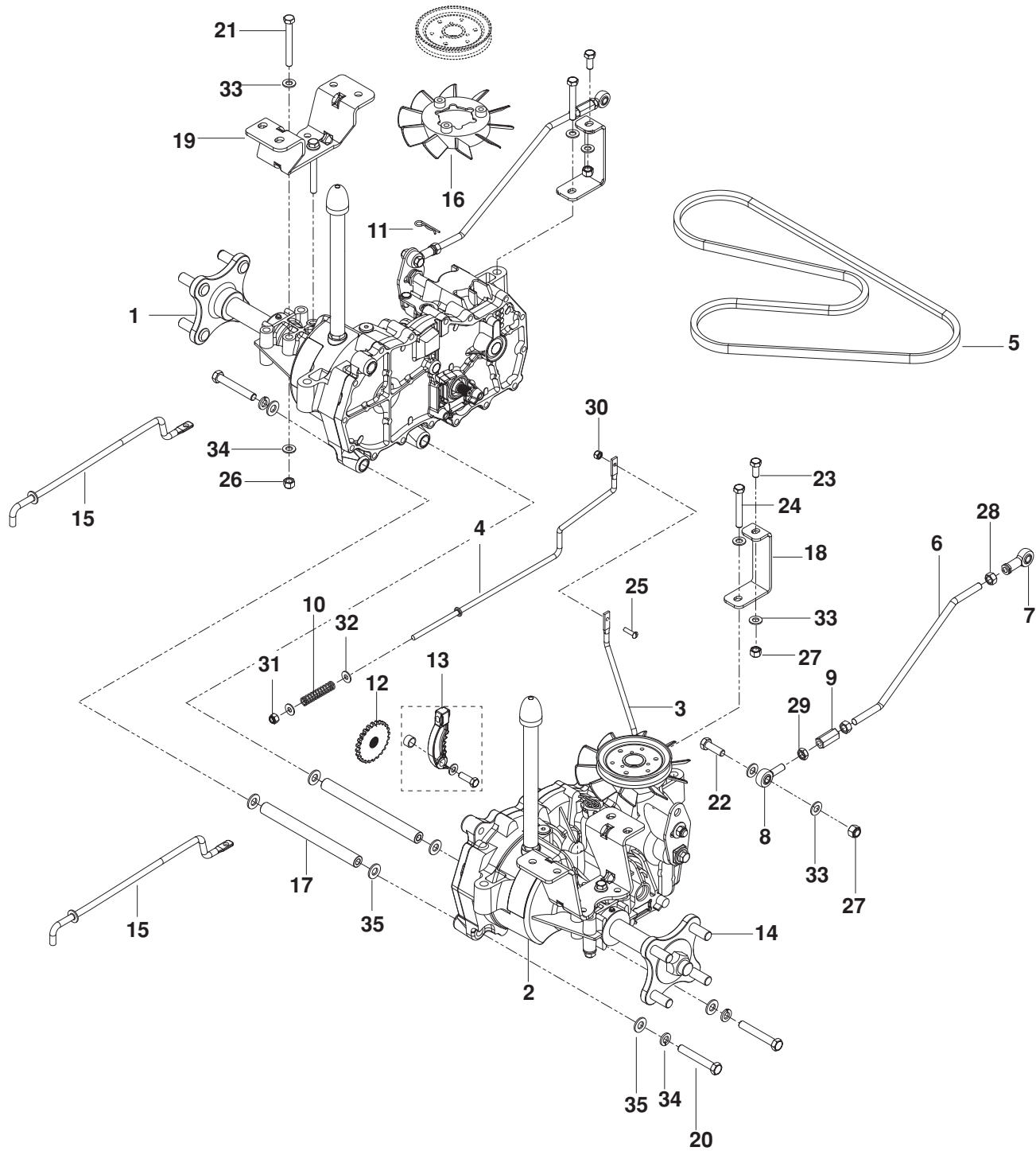


## BRAKE / LIFT

---

ITEM	PART NO.	QTY.	DESCRIPTION	ITEM	PART NO.	QTY.	DESCRIPTION
1..	574 216604....	2....	SHAFT LIFTING	12..	532 195161....	2....	STUD w/ANTI- ROTATE
2..	522 710804....	1....	SHAFT, BRAKE BLK	13..	539 105069....	3....	E-RING
3..	510 030701....	2....	SPRING, COMPRESSION	14..	539 976989....	2....	HAIRPIN
4..	539 118762....	2....	SPRING	15..	539 113621....	2....	BOLT $\frac{3}{8}$ -16 x $\frac{3}{8}$ SKT HD
5..	510 207201....	2....	GRIP, HANDLE BLK	16..	532 175994....	2....	NUT, LIFT LINK
6..	510 422901....	2....	ROD, HANDLE RELEASE	17..	539 976978....	2....	NUT $\frac{1}{4}$ -20 HEX NYLOC
7..	516 008801....	2....	ROD, LATCH RELEASE	18..	510 184901....	4....	NUT, PLASTIC
8..	532 195185....	2....	ARM, SUSPENSION RR	19..	539 112899....	2....	NUT $\frac{5}{16}$ -18 FLANGE NYLOC
9..	525 847201....	2....	LINK, REAR SUSPENSION	20..	539 976982....	2....	WASHER $\frac{5}{8}$ SAE FLT
10..	510 207301....	2....	BUTTON, PUSH BLK	21..	539 990598....	4....	WASHER $\frac{1}{4}$ FLT
11..	522 858601....	2....	BRACKET, LIFT				

# HYDRAULIC PUMP- MOTOR



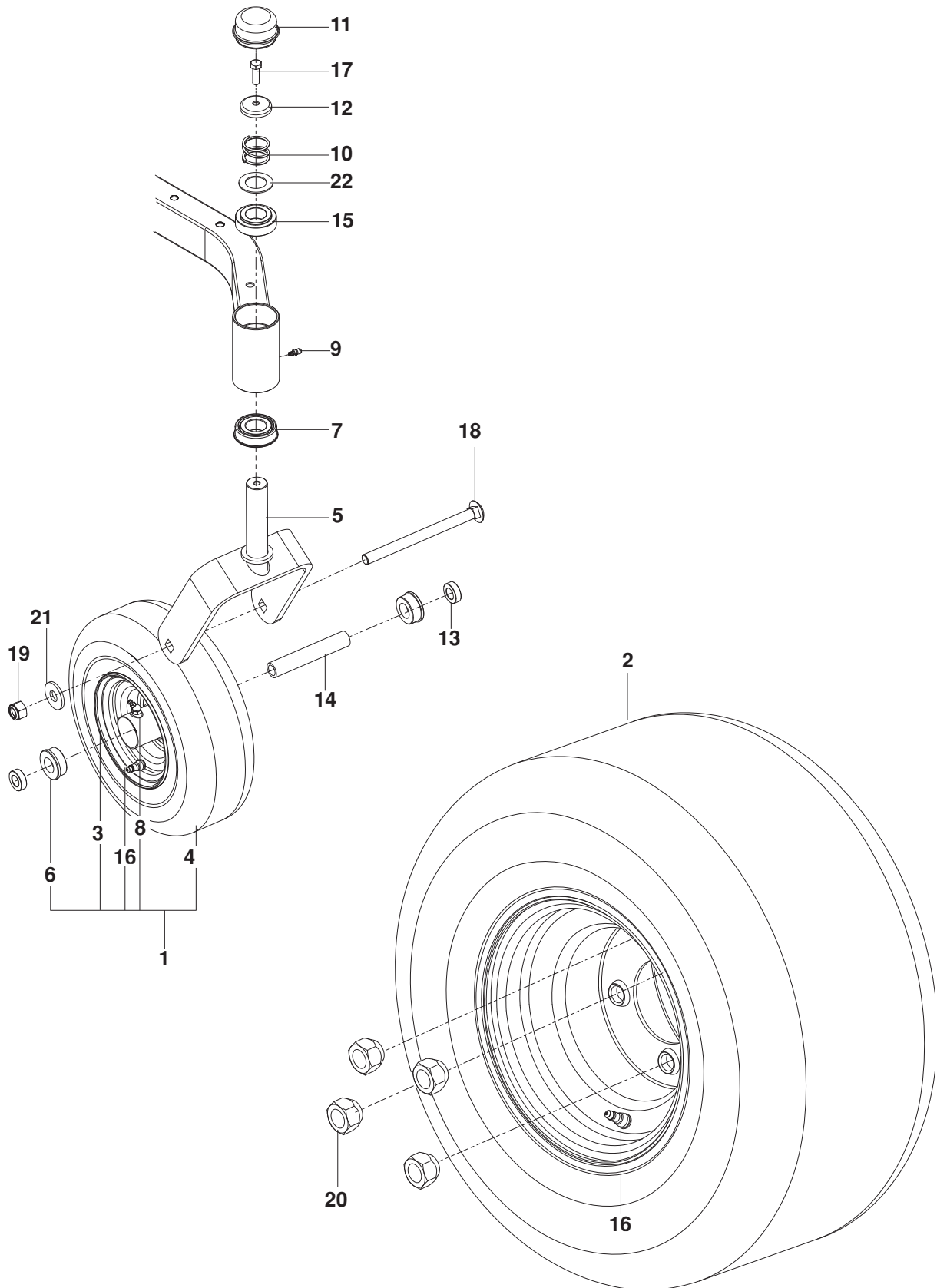


# HYDRAULIC PUMP- MOTOR

---

ITEM	PART NO.	QTY.	DESCRIPTION	ITEM	PART NO.	QTY.	DESCRIPTION
1..	510 375601....	1....	EZT, LT	19..	510 185102....	2....	MOUNT, EZT RR BLK
2..	510 375602....	1....	EZT, RT	20..	539 990637....	4....	HCS $\frac{3}{8}$ -16 x 2 $\frac{1}{2}$
3..	574 030501....	1....	ROD, EZT BRAKE LT	21..	539 101721....	4....	HCS $\frac{5}{16}$ -18 x 2 $\frac{3}{4}$
4..	574 030502....	1....	ROD, EZT BRAKE RT	22..	539 990209....	2....	HCS $\frac{5}{16}$ -18 x 1
5..	539 110411....	1....	BELT, EZT	23..	539 976934....	2....	HCS $\frac{5}{16}$ -18 x $\frac{3}{4}$
6..	522 945001....	2....	ROD, MOTION CONTROL	24..	539 976938....	2....	HCS $\frac{5}{16}$ -18 x 2 $\frac{1}{4}$
7..	539 115729....	2....	ROD END RT	25..	539 108535....	1....	SCREW 10-24 x $\frac{3}{4}$ SLTD RD
8..	539 116690....	2....	ROD END MALE LT	26..	539 990717..	10....	NUT $\frac{5}{16}$ -18 HEX NYLOC
9..	539 116689....	2....	COUPLER, ROD END	27..	539 115617....	2....	NUT $\frac{5}{16}$ -18 NYLOC INSERT
10..	539 110342....	2....	SPRING, BRAKE ROD	28..	539 990223....	4....	NUT $\frac{5}{16}$ -24 HEX
11..	539 976988....	2....	HAIRPIN, COTTER	29..	539 991073....	1....	NUT $\frac{5}{16}$ -24 HEX JAM LH
12..	539 120080....	2....	COG, BRAKE DISC	30..	539 976977....	1....	NUT 10-24 HEX NYLOC
13..	539 120079....	2....	BRAKE ARM KIT	31..	539 976978....	2....	NUT $\frac{1}{4}$ -20 HEX NYLOC
14..	575 507001....	2....	HUB KIT	32..	539 990055....	4....	WASHER $\frac{1}{4}$ SAE FLT
15..	522 941101....	2....	LINK ARM, BYPASS	33..	539 990188..	18....	WASHER $\frac{5}{16}$ SAE FLT
16..	539 120785....	2....	BLADE, FAN	34..	539 990118....	4....	WASHER $\frac{3}{8}$ SPLT LK
17..	510 184101....	2....	SPACER TUBE	35..	539 990122....	8....	WASHER $\frac{3}{8}$ SAE FLT
18..	522 460702....	2....	SUPPORT, EZT FRT				

# WHEELS AND TIRES

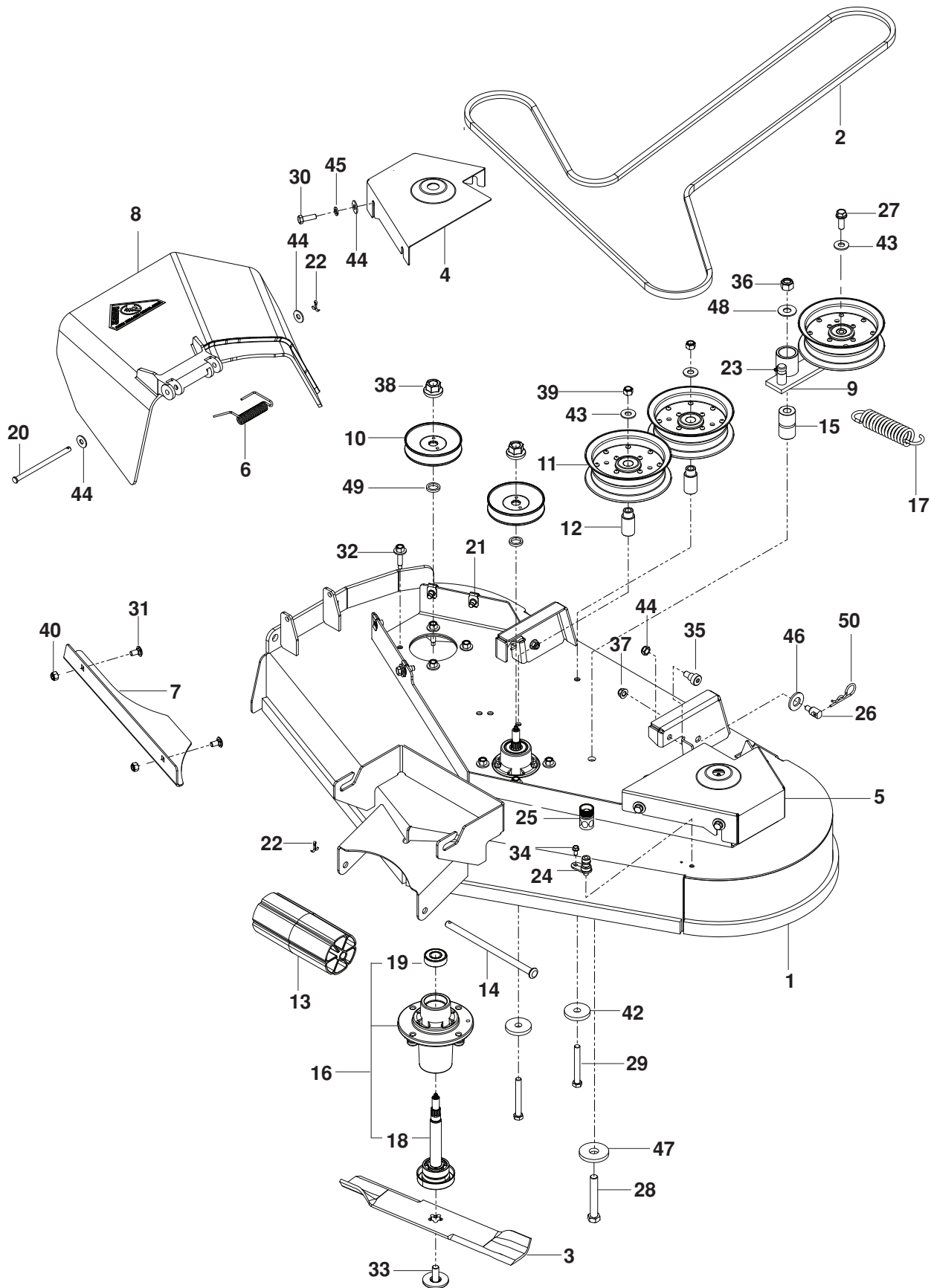


# WHEELS AND TIRES

---

ITEM	PART NO.	QTY.	DESCRIPTION	ITEM	PART NO.	QTY.	DESCRIPTION
1..	516 001901....	2....	CASTER TIRE ASSY	12..	539 115749....	2....	PLUG, CASTER
2..	539 112212....	2....	WHEEL ASSY, REAR	13..	539 114805....	4....	SPACER <sup>5</sup> / <sub>16</sub>
3..	539 106994....	2....	RIM, CASTER	14..	539 105543....	2....	SPACER
4..	539 114697....	2....	TIRE 410-5 4 PLY CASTER	15..	539 117901....	2....	BUSHING, CASTER
5..	539 123593....	2....	YOKE BLU	16..	539 912234....	4....	VALVE STEM
6..	576 617801....	4....	BEARING, FLANGED	17..	539 115566....	2....	HHB <sup>5</sup> / <sub>16</sub> -18 x 1 NYLOC
7..	539 112660....	2....	BEARING, FLANGED	18..	539 121159....	2....	RHSNB 1/2-13 x 6 1/2
8..	539 103300....	2....	ZERK	19..	539 200100....	2....	NUT 1/2-13 CNTRLK
9..	539 115638....	2....	ZERK <sup>3</sup> / <sub>16</sub> DRIVE	20..	539 101173....	8....	NUT 1/2 LUG
10..	539 115747....	2....	SPRING, CASTER	21..	539 109554....	2....	WASHER 1/2 FLT
11..	539 102535....	2....	GREASE CAP	22..	539 115675....	2....	WASHER

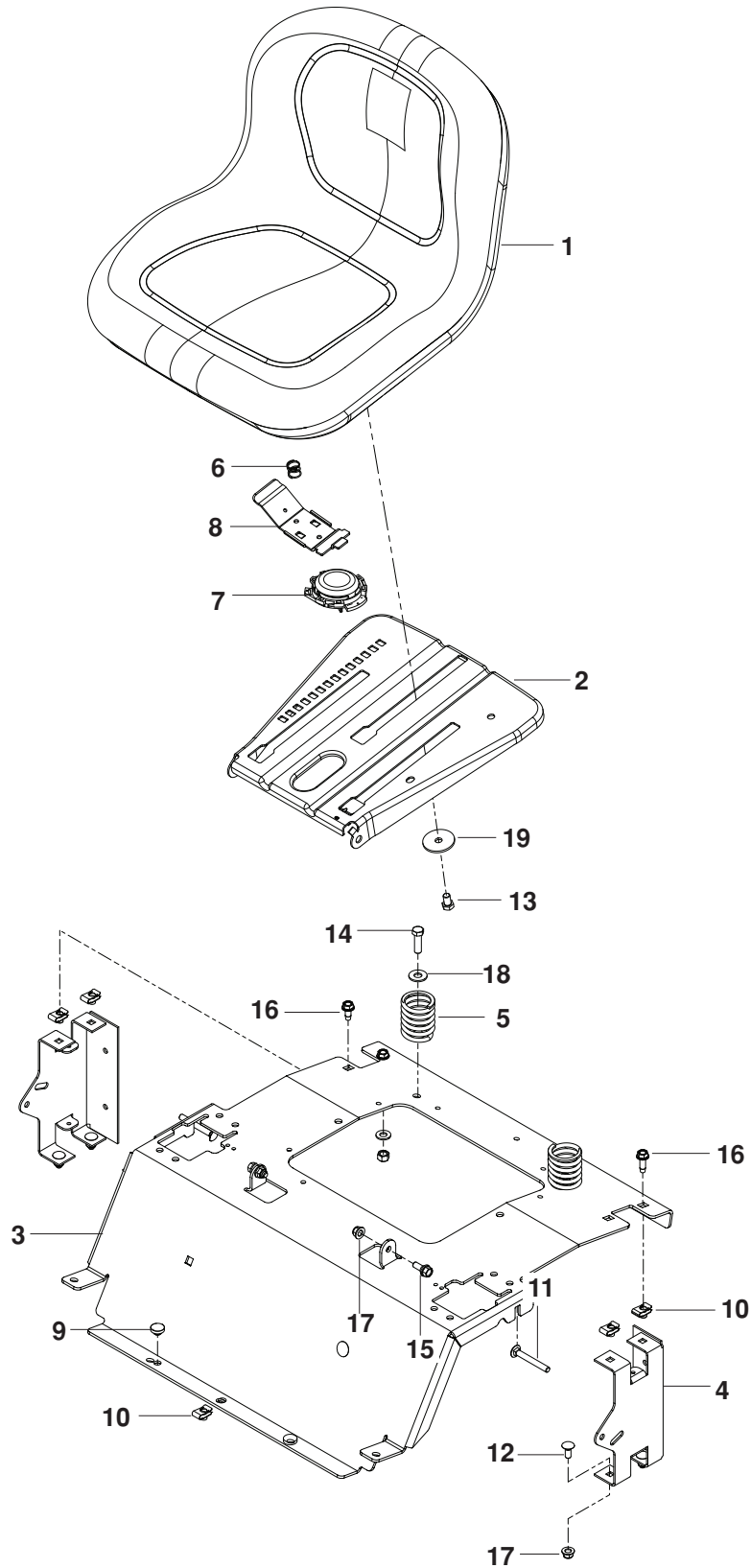
# MOWER DECK / CUTTING DECK



# MOWER DECK / CUTTING DECK

ITEM	PART NO.	QTY.	DESCRIPTION	ITEM	PART NO.	QTY.	DESCRIPTION
1..	525 307402....	1....	DECK w/SAFETY DECALS	26..	532 195161....	2....	STUD w/ ANTI-ROTATE
2..	539 117245....	1....	BELT, DECK	27..	539 990582....	1....	HCS 3/8-16 x 1
3..	539 112078....	3....	BLADE 14 5/8	28..	539 103433....	1....	HCS 1/2-13 x 3 1/4
4..	525 341401....	1....	BELT SHIELD, RH	29..	539 101341....	2....	HCS 3/8-16 x 3
5..	525 341501....	1....	BELT SHIELD, LH	30..	539 990209....	8....	HCS 5/16-18 x 1
6..	539 110735....	1....	SPRING, TORSION	31..	539 990799....	2....	RHSNB 5/16-18 x 5/8
7..	539 112413....	1....	CONFINEMENT PLATE	32..	539 107630..	12....	SCREW 5/16-18 x WSH HD
8..	539 110731....	1....	DISCHARGE CHUTE	33..	532 193003....	3....	BOLT, WASHER
9..	539 112198....	1....	ARM, IDLER	34..	539 108461....	1....	BOLT 1/4-20 x 1/2
10..	525 348501....	3....	PULLEY, MANDREL 3.70 OP	35..	539 113621....	2....	BOLT 3/8-16 x 3/8 SHOULDER
11..	539 132728....	3....	PULLEY, IDLER	36..	539 101331....	1....	NUT 1/2-13 HEX NYLOC
12..	539 112169....	2....	BUSHING, IDLER	37..	539 112899....	2....	NUT 5/16-18 HEX FLG NYLOC
13..	532 176066....	1....	ROLLER, NOSE	38..	539 107590....	3....	NUT 9/16 TOP CNTRLK
14..	532 179127....	1....	ROD, ROLLER, NOSE	39..	539 976979....	2....	NUT 3/8-16 HEX NYLOC
15..	539 103427....	1....	BUSHING, PIVOT	40..	539 990717....	2....	NUT 5/16-18 HEX NYLOC
16..	539 112170....	3....	HOUSING	41..	539 200282....	2....	NUT 3/8-16 HEX JAM NYLOC
17..	539 103256....	1....	SPRING	42..	539 106504....	2....	WASHER, HEAVY
18..	539 112056....	1....	SHAFT, MANDREL	43..	539 990517....	3....	WASHER 3/8 STD FLT
19..	539 112050....	1....	BEARING	44..	539 990692..	10....	WASHER 5/16
20..	539 110736....	1....	PIN, CLEVIS 5/16 x 5	45..	539 990187....	8....	WASHER 5/16 SLW
21..	539 104763....	8....	RETAINER, U TYPE	46..	539 976982....	2....	WASHER 5/8 FLT SAE
22..	539 990365....	2....	PIN, COTTER 1/8 x 3/4	47..	539 102243....	1....	WASHER, SUPPORT
23..	539 976998....	1....	ZERK	48..	539 990550....	1....	WASHER 1/2
24..	532 415598....	1....	WASHOUT PORT	49..	539 107520....	3....	WASHER/SPACER
25..	532 416405....	1....	COUPLING, CONNECT	50..	539 976989....	2....	HAIRPIN #4

# SEAT

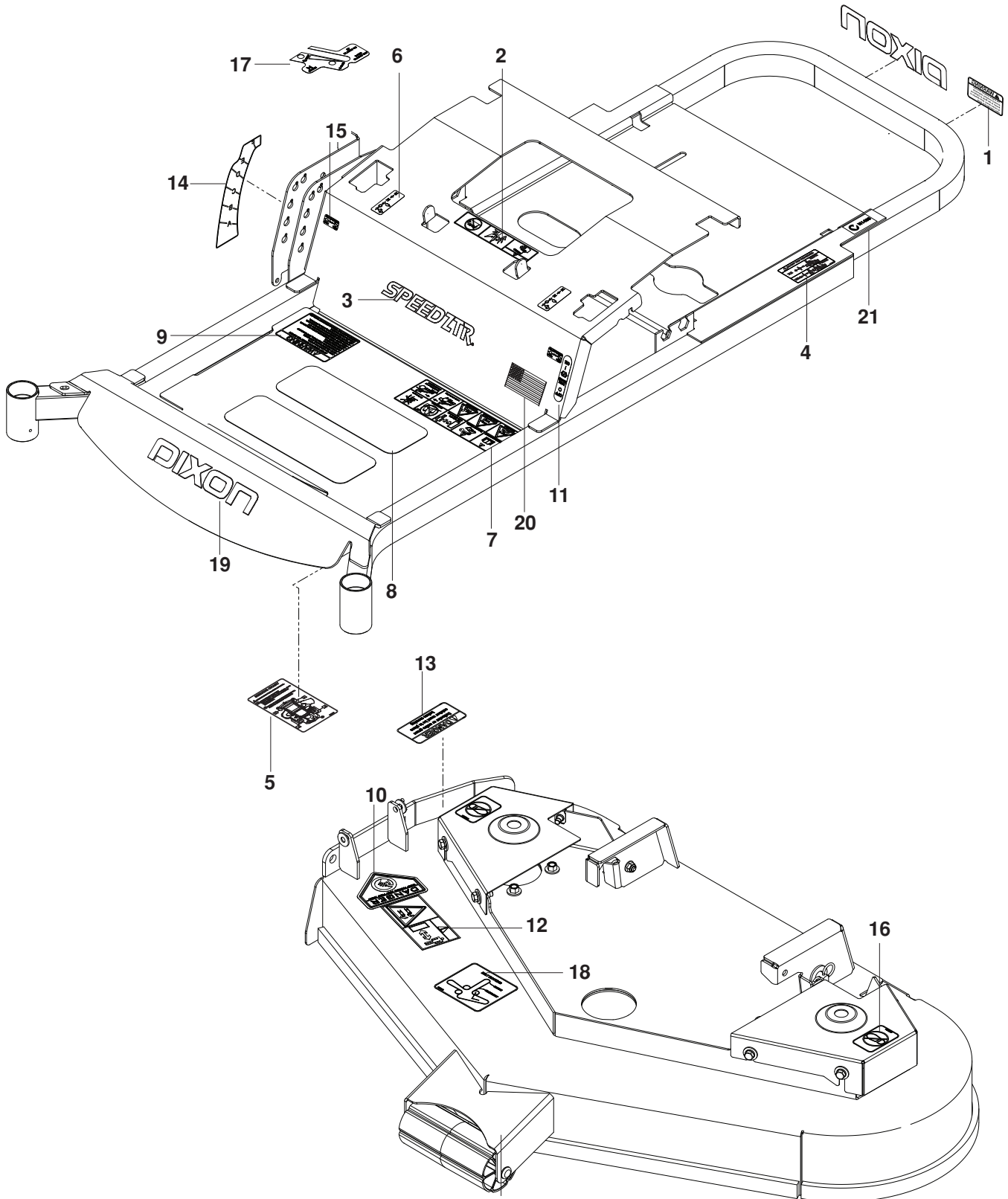


# SEAT

---

ITEM	PART NO.	QTY.	DESCRIPTION	ITEM	PART NO.	QTY.	DESCRIPTION
1..	532 406625....	1....	SEAT	11..	510 422701....	2....	RHSNB $\frac{5}{16}$ -18 x 2 $\frac{1}{2}$
2..	532 196977....	1....	SEAT PAN	12..	539 990316....	4....	RHSNB $\frac{5}{16}$ -18 x $\frac{3}{4}$
3..	510 171904....	1....	SUPPORT, SEAT BLU	13..	539 108503....	1....	HCS $\frac{3}{8}$ -16 x $\frac{5}{8}$
4..	574 522702....	2....	SUPPORT, SEAT RR BLK	14..	539 976941....	2....	HCS $\frac{3}{8}$ -16 x 1 $\frac{1}{4}$
5..	539 110300....	2....	SPRING, SEAT	15..	539 110303....	2....	BOLT $\frac{5}{16}$ SHOULDER
6..	532 198200....	1....	SPRING, LATCH SEAT	16..	539 107475....	4....	BOLT $\frac{5}{16}$ -18 x $\frac{3}{4}$ THD FRM
7..	539 132140....	1....	SWITCH, SEAT	17..	539 112899....	6....	NUT $\frac{5}{16}$ -18 HEX FLG NYLOC
8..	532 197661....	1....	HANDLE, SLIDE, SEAT	18..	539 990517....	2....	WASHER $\frac{3}{8}$ STD FLT
9..	539 102587....	2....	GROMMET, BUMPER	19..	539 111897....	1....	WASHER $\frac{3}{8}$ SPECIAL
10..	539 104763....	5....	RETAINER, U TYPE				

# DECALS





# DECALS

---

ITEM	PART NO.	QTY.	DESCRIPTION	ITEM	PART NO.	QTY.	DESCRIPTION
1..	539 101881....	1....	DECAL, EXHAUST	13..	539 115717....	1....	DECAL, DISCHARGE
2..	539 105745....	1....	DECAL, BATTERY WARNING	14..	521 980501....	1....	DECAL, HEIGHT
3..	521 982701....	1....	DECAL, SPEEDZTR	15..	576 953601....	1....	DECAL, TRACKING
4..	539 108385....	1....	DECAL, DO NOT TOW	16..	539 105743....	2....	DECAL, NO STEP
5..	539 109897....	1....	DECAL, SERVICE	17..	576 894301....	1....	DECAL, CONTROLS
6..	576 953501....	2....	DECAL, MOTION CONTROL	18..	539 112620....	1....	DECAL, BELT ROUTING
7..	539 109908....	1....	DECAL, SAFETY WARNING	19..	576 960001....	2....	DECAL, DIXON
8..	539 977778....	2....	ABRASIVE PAD	20..	539 117709....	1....	DECAL, FLAG 966657601
9..	539 113213....	1....	DECAL, SAFETY	21..	539 110279....	1....	DECAL, ECM 966657701
10..	539 913010....	1....	DECAL, BLADES				
11..	576 953701....	1....	DECAL, PARK BRAKE				
12..	539 105746....	1....	DECAL, SEVERING				





**DIXON**<sup>®</sup>**ZTR**<sup>®</sup>