

Art. 7955

**D Gebrauchsanweisung**

Unterwasserleuchte

---

**GB Operating Instructions**

Underwater Light

---

**F Mode d'emploi**

Lampe submersible

---

**NL Gebruiksaanwijzing**

Onderwaterlamp

---

**S Bruksanvisning**

Undervattenslampa

---

**I Istruzioni per l'uso**

Luce subacquea

---

**E Manual de instrucciones**

Foco acuático sumergible

---

**P Instruções de utilização**

Lâmpada subaquática

---

**DK Brugsanvisning**

Undervandslys

# GARDENA Underwater Light

Welcome to the garden of GARDENA ...



Please read and follow these operating instructions carefully. Use these instructions to use the Underwater Light correctly and observe the safety information.



For safety reasons, children and young people under 16 years of age and people who are not acquainted with these operating instructions should not use this Underwater Light.

→ Please keep these operating instructions in a safe place.

## Contents

1. Range of Uses for Your GARDENA Underwater Light	8
2. For Your Safety	8
3. Assembly for Use as an Upright Light	9
4. Initial Operation	9
5. Maintenance	10
6. Trouble-Shooting	11
7. Winter Storage	11
8. Technical Data	11
9. Service	11

## 1. Range of Uses for Your GARDENA Underwater Light

### Purpose

The Underwater Light is part of the GARDENA *lightline* range and is intended for use as underwater lighting for your garden pond.

GARDENA *lightline* is a 12 V low voltage system for lighting your garden, patio and ponds.

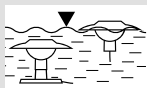
### Please note



**Warning! GARDENA *lightline* lights, cables, control equipment and plug and socket connections are designed solely for operation with a 12 V low voltage system. Connection to a 230 V supply can endanger your life!**

## 2. For Your Safety

### Operating the Underwater Light



The Underwater Light must only be operated when floating on water or when under water. Do not use the light when out of water.

### Using the transformer

The transformer must be operated via a fault current circuit-breaker (FI-switch) with a nominal fault current  $\leq 30$  mA (DIN VDE 0100-702 and 0100-738).

→ Please ask an electrician.

The data on the type plate of the transformer must match the data for the power supply.

→ Ensure that the transformer is positioned in a place safe from flooding and at least 2 m away from the edge of the pond.

For safety reasons, every *lightline* system should only be provided with a power supply via a *lightline* transformer. Switching two transformers in parallel is not permissible!  
→ Do not place the transformers in direct sunlight.

### For Switzerland

In Switzerland, mobile appliances which are used outdoors, must be connected via a fault current circuit-breaker.

### Mains voltage



The GARDENA Underwater Light and plug and socket connections are designed solely for operation with a 12 V low voltage supply.

### Connection to 230 V can endanger your life!

→ Do not carry the light and the transformer by the cable and do not use the cable to pull the plug out of the socket.

Protect the cable from heat, oil and sharp edges.

→ Unplug for winter storage, when not in use and before maintenance.

### Temperature range

The temperature of the pond water must not be below 4 °C or above 35 °C.

### Inspect before use

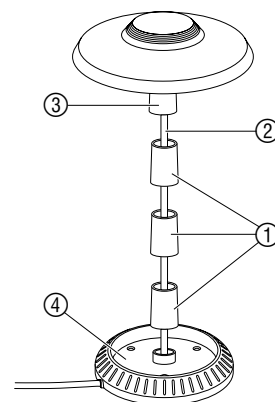
→ Inspect before use to establish whether the light is damaged.

Do not use a damaged light. If damaged, have the light checked by GARDENA Service or an approved electrician.

## 3. Assembly for Use as an Upright Light

### Assemble upright light:

The Underwater Light can be used as an upright light or as a floating light (see 4. Initial Operation). The light has to be assembled for use as an upright light.



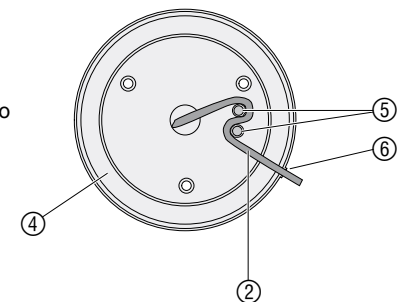
1. Depending on the height required, push up to 3 parts of the supporting leg ① with the narrower side upwards on to the connection cable ② for the light.

2. Push the sections of the support ① on to the shade holder ③ from below.

3. Pull the connection cable ② through the base ④.

4. Push the base ④ on to the support ①.

5. Clamp the connection cable ② between the 2 projections ⑤ on the underside of the base ④ and route through the guide ⑥.



## 4. Initial Operation

### Connect transformer:

→ Please read the operating instructions for installation of the relevant GARDENA *lightline* transformer and using it for the first time.

You need a GARDENA *lightline* Transformer to operate your GARDENA Underwater Light:  
 GARDENA *lightline* Transformer ST 30/1 Art. No. 4273,  
 ST 60/2, Art. No. 4274, or ST 100/2, Art. No. 4275.  
 If you have a GARDENA 12 V Fountain Pump, the second output of the transformer can be used for the Underwater Light.



→ **Locate the transformer in a dry place which is safe from flooding.**  
**The connection cable must also be in the dry area.**

#### Connecting several lights:

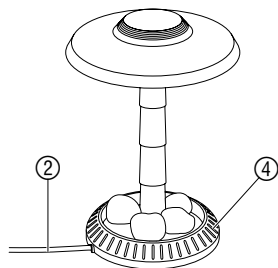
Depending on the transformer rating, several lights can be connected to the *lightline* Transformer. In this case, use GARDENA Installation Cable, Art No. 4302 (15 m long) or Art. No. 4303 (25 m long) together with GARDENA Couplings, Art. No. 4315.



**GARDENA Installation Cable may not be used under or in water!**

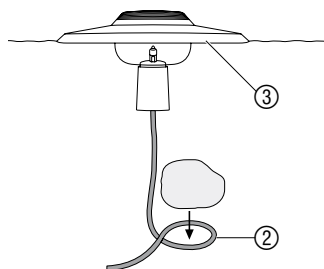
You will find information on the maximum number of lights which can be connected to the system in the operating instructions for the transformers.

#### Use as an upright light:



1. Set up the assembled light so that it is completely under water.
2. Weight the base ④ with stones  
 – or –  
 screw to a solid base (e.g. paving slab).
3. Connect the Underwater Light to the GARDENA *lightline* Transformer.
4. Plug the transformer mains plug into a mains socket.  
*The Underwater Light will be illuminated.*

#### Use as a floating light:



1. Place the shade ③ on the surface of the water with the connection cable ② pointing downwards.  
*The shade ③ floats on the surface of the water.*
2. Form a loop with the connection cable ② and fix it to the ground (e.g. with a stone).
3. Connect the Underwater Light to the GARDENA *lightline* Transformer.
4. Plug the transformer mains plug into a mains socket.  
*The Underwater Light will be illuminated.*

## 5. Maintenance

#### Cleaning the plug and socket connection:

→ Check the plug and socket connection transformer / light cable for dirt and clean if necessary.

#### Cleaning the light unit:

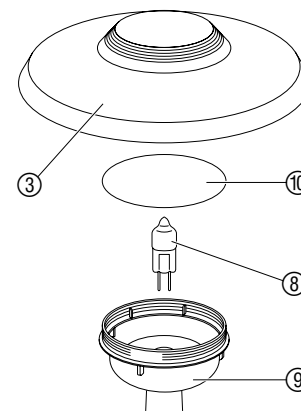
Do not use any corrosive or abrasive cleaning agents.

→ Clean the light unit with a damp cloth.

## 6. Trouble-Shooting

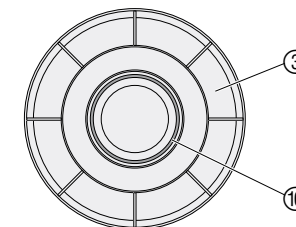
#### Changing the bulb:

Only 12 V halogen bulbs with a max. rating of 20 watt (and a G4 fitting) may be used!



1. Disconnect the Underwater Light from the power source.
2. Unscrew shade ③ anti-clockwise.
3. Pull out defective bulb ⑧.
4. Grip new bulb (e.g. with a piece of paper) and insert.  
*Do not touch the glass part of the bulb with your fingers as this will reduce the length of life of the bulb significantly.*
5. Reassemble light in reverse order.  
*When placing the shade ③ in position, ensure that the sealing ring ⑩ is located firmly.*

Replacement bulbs can be obtained from GARDENA customer services when required.



## 7. Winter Storage

#### Storage location:



1. Remove Underwater Light from the water before frosts commence.
2. Clean Underwater Light and check for damage.
3. Store Underwater Light in a dry place.

The storage location must be out of reach of children.

## 8. Technical Data

Underwater Light	
Art. No.	7955
Nominal rating	20 W (20 Watt halogen bulb with G4 fitting)
Connection value	12 V ~
Max. submersion depth	1 m

## 9. Service

#### Warranty

GARDENA honours the guarantee legally required for this product (starting from the date of purchase). This guarantee covers all serious defects of the unit that can be proved to be material or manufacturing faults. Under warranty we will either replace the unit or repair it free of charge if the following conditions apply:

- The unit must have been handled properly and in keeping with the requirements of the operating instructions.
- Neither the purchaser or a non-authorized third party have attempted to repair the unit.



The wearing part, 12 V halogen bulb (20 W), is excluded from the warranty.

This manufacturer's guarantee does not affect the user's existing warranty claims against the dealer/seller.

If you have any problems with your pump, please contact our Customer Service or return the defective unit together with a short description of the problem directly to one of the GARDENA Service Centres listed on the back of this leaflet.

***Product Liability***

We expressly point out that, in accordance with the product liability law, we are not liable for any damage caused by our units if it is due to improper repair or if parts exchanged are not original GARDENA parts or parts approved by us, and, if the repairs were not carried out by a GARDENA Service Centre or an authorised specialist. The same applies to spare parts and accessories.

**Deutschland**

GARDENA Kress + Kastner GmbH  
GARDENA Service  
Hans-Lorensen-Straße 40  
D-89079 Ulm  
Produktfragen: (07 31) 490-123  
Reparaturen: (07 31) 490-290

**Argentina**

Argensem S.A.  
Venezuela 1075  
(1618) El Talar - Buenos Aires

**Australia**

NYLEX Corporation Ltd.  
25-29 Nepean Highway  
P.O. Box 68  
Mentone, Victoria 3194

**Austria**

GARDENA Österreich Ges. m.b.H.  
Stettnerweg 11-15  
2100 Korneuburg

**Belgium**

MARKT (Belgium) NV/SA  
Sterrebeekstraat 163  
1930 Zaventem

**Brazil**

M. Cassab  
Av. das Nações Unidas, 20.882  
Santo Amaro, CEP 04795-000  
São Paulo - S.P.

**Bulgaria / България**

ДЕНЕКС ООД  
бул. „Черни връх“ 43  
София 1407

**Canada**

GARDENA Canada Ltd.  
100, Summerlea Road  
Brampton, Ontario  
Canada L6T 4X3

**Chile**

Antonio Martinic Y CIA. LTDA.  
Gilberto Fuenzalida 185 Loc.  
Las Condes - Santiago de Chile

**Costa Rica**

Compania Exim  
Euroberoamericana S.A.  
350 Sur del Automercado  
Los Yoses  
San Pedro

**Cyprus**

FARMOKIPIKI LTD  
P.O. Box 7098  
74, Digeni Akrita Ave.  
1641 Nicosia

**Czech Republic**

GARDENA spol. s.r.o.  
Řípská 20  
62700 Brno

**Denmark**

GARDENA Danmark A/S  
Naverland 8  
2600 Glostrup

**Finland**

Habitec Oy  
Martinkyläntie 52  
01720 Vantaa

**France**

GARDENA France  
Service Après-Vente  
BP 50080  
95948 ROISSY CDG Cedex

**Great Britain**

GARDENA UK Ltd.  
27-28 Brenkley Way  
Bleazard Business Park  
Seaton Burn  
Newcastle upon Tyne  
NE13 6DS

**Greece**

Agrokip G. Psomadopoulos & Co.  
20, Lykourgou str.  
Kallithea - Athens

**Hungary**

GARDENA Magyarország Kft.  
Késmárk utca 22  
1158 Budapest

**Iceland**

Heimilistaeki hf  
Saetun 8  
P.O. Box 5340  
125 Reykjavik

**Republic of Ireland**

Michael McLoughlin & Sons  
Hardware Limited  
Long Mile Road  
Dublin 12

**Italy**

GARDENA Italia S.r.l.  
Via Donizetti 22  
20020 Lainate (Mi)

**Japan**

KAKUDAI Mfg. Co. Ltd.  
1-4-4, Itachibori Nishi-ku  
Osaka 550

**Luxembourg**

Magasins Jules Neuberg  
Grand Rue 30  
Case Postale No. 12  
Luxembourg 2010

**Netherlands**

GARDENA Nederland B.V.  
Postbus 50176  
1305 AD ALMERE

**Neth. Antilles**

Jonka Enterprises N.V.  
Sta. Rosa Weg 196  
P.O. Box 8200  
Curaçao

**New Zealand**

NYLEX New Zealand Limited  
Private Bag 94001  
South Auckland Mail Centre  
10 Offenhauser Drive  
East Tamaki, Manukau

**Norway**

GARDENA Norge A/S  
Postboks 214  
2013 Skjetten

**Poland**

GARDENA Polska Sp. z o.o.  
Szymanów 9 d  
05-532 Baniocha

**Portugal**

MARKT (Portugal), Lda.  
Recta da Granja do Marquês  
Edif. GARDENA  
Algueirão  
2725-596 Mem Martins

**Russia / Россия**

АО АМИДА ТТЦ  
ул. Мосфильмовская 66  
117330 Москва

**Singapore**

Variware  
Holland Road Shopping Centre  
227-A 1st Fl., Unit 29  
Holland Avenue  
Singapore 1027

**Slovenia / Croatia**

Silk d.o.o. Trgovina  
Brodlišče 15  
1236 Trzin

**South Africa**

GARDENA South Africa (Pty.) Ltd.  
P.O. Box 11534  
Vorna Valley 1686

**Spain**

ANMI Andreu y Miriam S.A.  
Calle Pere IV, 111  
08018 Barcelona

**Sweden**

GARDENA Svenska AB  
Box 9003  
20039 Malmö

**Switzerland**

GARDENA Kress + Kastner AG  
Bitziberg 1  
8184 Bachenbülach

**Ukraine / Украина**

АОЗТ АЛЬЦЕСТ  
ул. Гайдара 50  
г. Киев 01033

**Turkey**

Dost Diş Ticaret  
Mümesillik A.Ş.  
Yeşilbağlar Mah. Başkent  
Cad. No. 26  
Pendik - İstanbul

**USA**

GARDENA  
3085 Shawnee Drive  
Winchester, VA 22604  
7955-20.960.01/0021  
GARDENA Kress + Kastner GmbH  
Postfach 27 47, D-89070 Ulm  
<http://www.gardena.com>