



ZTR®



OPERATOR'S MANUAL

ZEETTER MODEL

2003

IMPORTANT - READ CAREFULLY

The Dixon® ZEETER® Mower is both easy and fun to operate. However, any power mower must be operated properly to be safe. It is not a toy or a recreational vehicle. Before you start to use the mower, read the operator's manual carefully and become completely familiar with the controls.

The information contained in this manual applies to all Dixon® ZEETER® Mowers. Your Dixon dealer will gladly answer any questions.

See your dealer for warranty service, parts and repairs.

INDEX

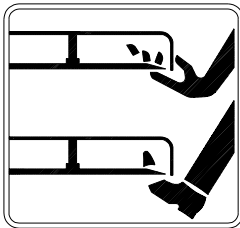
	<u>Page</u>
Safety.	4-12
Warranty Policy.	13
Specifications.	14-16
Controls.	17-19
Operation Instructions.	20-27
Care & Maintenance.	28-42
Standard Service Parts List.	43
Troubleshooting.	44-45

ZEETER® Series
Part No. 14186-0303

SAFETY

***RIDING LAWN MOWERS,
IF IMPROPERLY OPERATED,
CAN CAUSE SERIOUS INJURY OR DEATH.***

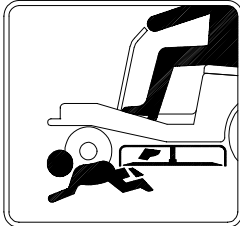
The most common causes of injury to the operator or bystander...



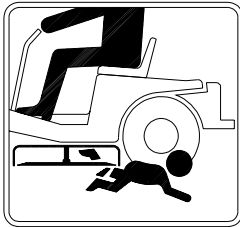
BLADE CONTACT



TIP OVER



RUN OVER



BACK OVER

...read and understand this manual to prevent injuries.

SAFETY



Safety Alert Symbol

When you see this symbol,
BE ALERT to the potential for injury.

*Follow recommended safety precautions
and safe operating practices.*



DANGER

(highlighted in red)

indicates an imminently hazardous situation which, if not avoided, will result in death or serious injury.



WARNING

(highlighted in orange)

indicates a potentially hazardous situation which, if not avoided, could result in death or serious injury.



CAUTION

(highlighted in yellow)

indicates a potentially hazardous situation which, if not avoided, may result in minor or moderate injury. It may also be used to alert against unsafe practices.

SAFETY

Failure to observe the following safety instructions could result in serious injury or death.

GENERAL OPERATION:

- Read, understand, and follow all instructions in the manual and on the mower before starting.
- Only allow responsible adults, who are familiar with the instructions, to operate the mower.
- Clear the area of objects such as rocks, toys, wire, etc., which could be picked up and thrown by the blade.
- Be sure the area is clear of other people before mowing. Stop mower if anyone enters the area.
- NEVER carry passengers.
- Do not mow in reverse unless absolutely necessary. Always look down and behind before and while backing.
- Be aware of the mower discharge direction and do not point it at anyone.
- Do not operate the mower without either the entire grass catcher or the deflector in place.
- Slow down before turning.
- Never leave a running mower unattended. Always turn off blades, set parking brake, stop engine and remove key before dismounting.

SAFETY

GENERAL OPERATION (continued):

- Turn off blades when not mowing.
- Stop engine before removing grass catcher or unclogging chute.
- Mow only in daylight or good artificial light.
- Do not operate the mower while under the influence of alcohol or drugs.
- Watch for traffic when operating near or crossing roadways.
- Use extra care when loading or unloading the mower into a trailer or truck. Do not ride the mower when loading and unloading.
- Always wear safety goggles or safety glasses with side shields when operating mower.
- Data indicates that operators, age 60 years and above, are involved in a large percentage of riding mower-related injuries. These operators should evaluate their ability to operate the riding mower safely enough to protect themselves and others from serious injury.
- Follow the manufacturer's recommendation for wheel weights and counterweights.
- Maintain or replace safety & instruction labels as needed.

WARNING: *The engine exhaust from this product contains chemicals known to the State of California to cause cancer, birth defects or other reproductive harm.*

SAFETY

SLOPE OPERATION:

Slopes are a major factor related to loss-of-control and tip-over accidents, which can result in severe injury or death.

All slopes require extra caution.

If you cannot back up the slope or if you feel uneasy on it, do not mow it!

DO

- Mow across the slope with your Dixon ZTR - never up or down.
- Remove obstacles such as rocks, tree limbs, etc.
- Watch for holes, ruts or bumps. Uneven terrain could overturn the mower. Tall grass can hide obstacles.
- Use slow speed. Tires may lose traction on slopes even though the brakes are functioning properly.
- Use extra care with grass catchers or other attachments. These can change the stability of the mower.
- Keep all movement on the slopes slow and gradual. Do not make sudden changes in speed or direction.

SAFETY

SLOPE OPERATION (continued):

DO(continued)

- Avoid starting or stopping on a slope. If tires lose traction, disengage the blades and proceed slowly down the slope.
- If front wheels lift off the ground, pull the levers back to stabilize the mower.

DO NOT

- Do not turn on slopes unless necessary, and then, turn slowly and gradually downhill, if possible.
- Do not mow near drop-offs, ditches, or embankments. The mower could suddenly turn over if a wheel is over the edge of a cliff or ditch or if an edge caves in.
- Do not mow on wet grass. Reduced traction could cause sliding.
- Do not try to stabilize the mower by putting your foot on the ground.
- Do not use grass catcher on steep slopes.

SAFETY

CHILDREN:

Tragic accidents can occur if the operator is not alert to the presence of children.

Children are attracted to lawn mowers and the mowing activity.

NEVER assume children will stay where they were last seen.

Be alert to avoid accidents.

- Keep children out of the mowing area and under the watchful care of another responsible adult.
- Be alert and turn mower off if a child enters the area.
- Before and during backing, look BEHIND and DOWN for small children.
- Never carry children. They may fall off and be seriously injured or interfere with safe mower operation.
- Never allow children to operate the mower.
- Use extra care when approaching blind corners, shrubs, trees, or other objects that may obscure vision.

 **SAFETY*****SERVICE:***

- Use extra care in handling gasoline and other fuels. They are flammable and vapors are explosive.

Use only an approved container.

Never remove fuel cap or add fuel with engine running. Allow engine to cool before refueling.

Do not smoke while refueling.

Never refuel the mower indoors.

Never store the mower or fuel container inside a building where there is an open flame.

If fuel is spilled on clothing, change clothing immediately.

To prevent fire and explosion caused by static electricity:

Never fill containers inside a vehicle or on a truck or trailer bed with a plastic liner. Always place containers on the ground away from your vehicle before filling.

When practical, remove fuel-powered equipment from the truck or trailer and refuel it on the ground. If this is not possible, then refuel such equipment on a trailer with a portable container, rather than from a fuel dispenser nozzle.

If a fuel dispenser nozzle must be used, keep the nozzle in contact with the rim of the fuel tank or container opening at all times until fueling is complete. Do not use a nozzle lock-open device.



SERVICE (continued):

- Never run a mower inside a closed area. The exhaust fumes are toxic.
- Keep nuts and bolts tight, especially blade attachment bolts, and keep equipment in good condition.
- Never tamper with safety devices. Check their proper operation regularly.
- Keep mower free of grass, leaves, or other debris buildup. Clean up oil or fuel spillage. Allow mower to cool before storing.
- Stop and inspect the equipment if you strike an object. Repair, if necessary, before restarting.
- Never make adjustments or repairs with the engine running unless otherwise specified.
- Grass catcher components are subject to wear, damage and deterioration, which could expose moving parts or allow objects to be thrown. Frequently check components. Replace with original equipment parts, when necessary.
- Mower blades are sharp and can cut. Wrap blade(s) or wear gloves, and use extra caution when servicing them.
- Batteries contain sulfuric acid. To prevent burns avoid contact with skin, eyes and clothing. To prevent a fire or explosion keep sparks and open flames away from battery.
- Before disconnecting the negative [-] ground cable, make sure all switches are OFF.

DIXON PROTECTION PLUS TWO YEAR LIMITED WARRANTY TRANSAXLE MODELS

WARRANTY: Home Owner Application: Dixon Transaxle Models, used only at owner's primary place of residence are warranted for a period of two (2) years from date of purchase. **Commercial Application:** defined as use other than, or in addition to, mowing at owner's primary place of residence. Dixon Transaxle Models, used in commercial application are warranted for a period of (30) days from the date of purchase.

DIXON ZTR MOWERS ARE WARRANTED AGAINST DEFECTS IN MATERIALS AND WORKMANSHIP AND PROVIDES FOR REPLACEMENT OR REPAIR OF PARTS INCLUDING LABOR COSTS. THIS WARRANTY IS SUBJECT TO THE FOLLOWING CONDITIONS AND LIMITATIONS:

1. Warranty applies only to original retail purchaser of new and unused mowers and accessories.
2. All Dixon warranty must be accomplished by authorized Dixon dealers and in accordance with Dixon warranty policy and allowances. All warranty claims must be approved by Dixon Industries, Inc.
3. Battery warranty: Limited to 90 days from date of purchase.
4. Accessories Warranty (Grass Catchers, Snow Blades, Covers, etc.): Limited to 90 days from date of purchase.
5. Warranty does not apply to damage in transit or incidents of misuse, negligence, accidents, or alteration. The use of parts or components other than those supplied by Dixon Industries, Inc. **VOIDS ALL WARRANTY.**
6. The following items are not covered by this warranty policy.
 - (a) Pick up and delivery charges for transportation of mower to and from an Authorized Dixon Dealer's place of business.
 - (b) Routine maintenance or adjustments (including transaxle adjustments)
 - (c) Belts/Blades/Chains/Sprockets
 - (d) Engines - All engines used on Dixon ZTR mowers are warranted by each individual engine manufacturer.
 - (e) Any costs or expense of providing substitute equipment while repair work is being performed on a warranted mower.
7. There is no other express warranty. Implied warranties, including those of merchant ability and fitness for a particular purpose, are limited to the same duration of the express warranty, and to the extent permitted by law any and all implied warranties are excluded. Liabilities for consequential damages under any and all warranties are excluded.

Copies: Pink/Customer

Yellow/Dealer

White/Return to Dixon Ind.

WARRANTY VALIDATION: At the time of sale, selling dealer must review each portion of this warranty document, complete the information section below, secure customer's signature and send copy to Dixon Industries, Inc.

Date of Purchase _____ Model _____ Deck Size _____ S/N _____

[Owner's Name] _____ [Dealership Name & Dealer Number]

[Street Address] _____ [Street Address]

[City/State/Zip] _____ [City/State/Zip]

[Owner's Signature] _____ [Dealer's Signature]

DIXON INDUSTRIES, INC.
A BLOUNT International Inc. Co.
PO BOX 1569
COFFEYVILLE KS 67337 0945
PHONE 620 251 2000
FAX 620 251 4117

www.dixon-ztr.com

1-877-CUT-MORE



SPECIFICATIONS

ZEETER 30"

CHASSIS:	11 gauge welded channel frame
BODY:	All body parts made of rotational molded polyethylene. Front body contains access panel for battery service. Seat tilts forward to allow transmission service.
MOWER DECK:	11 GA stamped steel construction. Single 30" cut blade. Cut height approximately 1-1/2"-4" via 7-position lift handle
BLADE DRIVE:	Mechanical; hand lever engagement
TRANSMISSION:	Each rear wheel is independently driven by chain and sprockets through a friction mechanical drive.
ENGINE:	9 HP Briggs & Stratton Powerbuilt, 4-cycle, single cylinder, air-cooled, gasoline, vertical shaft, aluminum head and block.
STARTING SYSTEM:	Electric by key switch operation with safety interlocks on parking brake and blade drive.
TIRES:	Front 9 x 3.50-4 Turf Saver Rear 16 x 6.50-8 Turf Saver
RECOMMENDED TIRE PRESSURE:	Front 16-21 PSI Rear 8-14 PSI
CAPACITIES:	Fuel 3 quart Engine 1.25 quarts oil
DIMENSIONS:	Width 32" outside rear wheel measurement Width 38" overall width of deck with deflector Height 31" to top edge of seat Length 65.5" hitch tab to front Weight 390 lbs.

Additional information provided in service instructions under the individual component.

SPECIFICATIONS SUBJECT TO CHANGE WITHOUT NOTICE

SPECIFICATIONS

ZEETER 36"

CHASSIS:	11 gauge welded channel frame
BODY:	All body parts made of rotational molded polyethylene. Front body contains access panel for battery service. Seat tilts forward to allow transmission service.
MOWER DECK:	11 GA laser cut fabricated. 36" cut width. Cut height approximately 1-1/2"- 4" via 7-position lift handle
BLADE DRIVE:	Electric clutch
TRANSMISSION:	Each rear wheel is independently driven by chain and sprockets through a friction mechanical drive.
ENGINE:	11 HP Briggs & Stratton Powerbuilt, 4-cycle, single cylinder, air-cooled, gasoline, vertical shaft, aluminum head and block.
STARTING SYSTEM:	Electric by key switch operation with safety interlocks on parking brake and blade drive.
TIRES:	Front 9 x 3.50-4 Turf Saver Rear 16 x 6.50-8 Turf Saver
RECOMMENDED TIRE PRESSURE:	Front 16-21 PSI Rear 8-14 PSI
CAPACITIES:	Fuel 3 quart Engine 1.25 quarts oil
DIMENSIONS:	Width 35" outside rear wheel measurement Width 50.5" overall width of deck with deflector Height 31" to top edge of seat Length 65.5" hitch tab to front Weight 427 lbs.

Additional information provided in service instructions under the individual component.

SPECIFICATIONS SUBJECT TO CHANGE WITHOUT NOTICE

SPECIFICATIONS

ZEETER 42"

CHASSIS:	11 gauge welded channel frame
BODY:	All body parts made of rotational molded polyethylene. Front body contains access panel for battery service. Seat tilts forward to allow transmission service.
MOWER DECK:	13 GA stamped steel construction. Three blades combine for a 42" cut width. Cut height approximately 1-1/2" - 4" via 7-position lift handle.
BLADE DRIVE:	Electric clutch
TRANSMISSION:	Each rear wheel is independently driven by chain and sprockets through a friction mechanical drive.
ENGINE:	13 HP Briggs & Stratton Powerbuilt, 4-cycle, single cylinder, air-cooled, gasoline, vertical shaft, aluminum head and block.
STARTING SYSTEM:	Electric by key switch operation with safety interlocks on parking brake and blade drive.
TIRES:	Front 9 x 3.50-4 Turf Saver Rear 16 x 6.50-8 Turf Saver
RECOMMENDED TIRE PRESSURE:	Front 16-21 PSI Rear 8-14 PSI
CAPACITIES:	Fuel 3 quart Engine 1.25 quarts oil
DIMENSIONS:	Width 35" outside rear wheel measurement Width 55" overall width of deck with deflector Height 31" to top edge of seat Length 65.5" hitch tab to front Weight 427 lbs.

Additional information provided in service instructions under the individual component.

SPECIFICATIONS SUBJECT TO CHANGE WITHOUT NOTICE

CONTROLS

CONTROL LEVERS

TO GO FORWARD:

- From neutral position, gently push both control levers forward.
- To increase speed, move levers further forward.

TO GO BACKWARD:

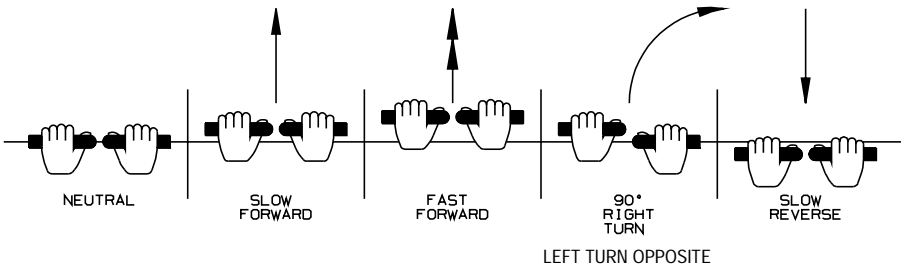
- From neutral position, gently pull both control levers toward you.

TURNING:

- Turning is controlled by moving one control lever slightly forward or rearward of the other.
- To turn left, move left lever rearward of the right lever.
- To turn right, move right lever rearward of the left lever.
- To turn on mower's own axis [zero turning radius], stop and move one lever to reverse position and the other to forward position.

BRAKING:

- To brake mower, move both levers in direction opposite of travel.



Note: The pressure required to operate the mower is very light.

CONTROLS

The Dixon ZEETER has a unique transaxle that requires only two drive levers to control braking, turning, speed and direction.

On initial operation, set throttle speed on slow. Operate with mower blade in "OFF" position.

To avoid "over-controlling" the mower, use a light touch on the drive levers.

Slight movements using fingertip control is all that is necessary.

PARKING BRAKE:

The parking brake is designed to hold the mower from moving and is not intended for use in stopping the mower while it is in motion.



CAUTION

Engage parking brake before starting engine.

TO SET PARKING BRAKE:

The hand operated parking brake is located on the right side of the mower.

To engage brake, pull lever up [to the rear].

To release brake, move lever forward [down].

NOTE: Always set parking brake before dismounting. Release parking brake before moving mower.



CONTROLS

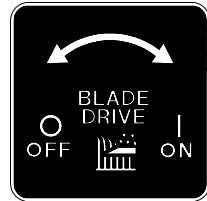
TRANSMISSION DRIVE SYSTEM

Allows the mower to turn on its own axis “ZERO TURNING RADIUS”. Each lever controls one side of the mower.

NOTE: The pressure required to operate the mower is very light.

BLADE DRIVE (30”):

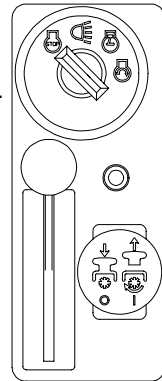
- Located to left of the operator.
- To engage the mower blade, turn lever on floor slowly to the “ON” position.
- To disengage mower blade, turn lever to the “OFF” position.



30”

BLADE DRIVE (36” & 42”):

- Located on the control panel, operator’s right.
- To engage the mower blades, pull up on the switch.
- To disengage mower blades, push down.



36” & 42”

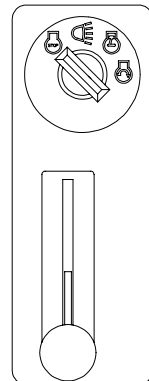
THROTTLE CONTROL LEVER:

- Located on control panel to operator’s right.
- Throttle control for engine speed.
- Choke for engine starting.
- Throttle control should be set to MAXIMUM or wide open setting to ensure adequate cooling of the engine and to maintain mower deck blade speed while mowing.

MOWER DECK CUT HEIGHT LIFT LEVER:

- Located to the left of the operator.
- Controls the cutting height.
- Seven positions of adjustment.
- Move lever in and forward to lower.
- Move lever in and back to raise.

NOTE: Always use high for transport.



30”

OPERATION INSTRUCTIONS

The safe and successful operation of the ZEETER Mower will depend upon the operator having the correct knowledge of all controls used on the mower and making good judgements about the terrain to be mowed.

NEVER allow anyone to operate the mower without complete knowledge of all controls and their functions.

During initial operation, "learning to drive", set throttle at slow speed.

Sound judgement by the operator will prevent accidents.

TOWING:

Towing a trailer or other attachment that is too heavy could damage the drive or cause the mower to become unstable. Limit loads to 250 pounds or less with this mower.

OPERATION INSTRUCTIONS

BEFORE OPERATING MOWER:

1. Read and observe all safety instructions on your mower and in the manual.
2. Read engine manufacturer's operating and maintenance instructions.
3. Check engine oil.
4. Check fuel cap to be sure it is in place.
5. Be sure parking brake is on.
6. Mower blade drive is off.
7. Know how to stop engine. [Turn key to off position].

OPERATION INSTRUCTIONS

STARTING INSTRUCTIONS:

1. Parking brake must be on, and blade drive disengaged.
2. Move throttle control to “choke” position if engine is cold, full throttle if warm.
3. Insert ignition key and turn to “start” position. When engine starts, release ignition key. Key will return to “run” position.
4. Move throttle from “choke” to desired speed position.
5. Release parking brake.
6. Operate the mower per the “CONTROL” instructions on Page 17.



CAUTION *Do not operate the engine in an enclosed area due to the harmful exhaust gas produced.*

NOTE: When mowing, “blade[s] engaged”, throttle control must be set to the **MAXIMUM** or wide open setting to insure adequate cooling of the engine and to maintain mower deck blade speed.

OPERATION INSTRUCTIONS



TESTING OF SAFETY INTERLOCK SYSTEMS:

Do not operate mower if safety switches are not operating properly.

PARKING BRAKE SWITCH TEST:

- a) Place parking brake in OFF position.
- b) Turn ignition switch to START.

***ENGINE SHOULD NOT TURN OVER
OR ATTEMPT TO START!***

BLADE DRIVE SWITCH TEST:

- a) Place parking brake in ON position.
- b) Engage blade drive switch.
- c) Turn ignition switch to START.

***ENGINE SHOULD NOT TURN OVER
OR ATTEMPT TO START!***

SEAT SWITCH TEST:

- a) In a SAFE AREA away from bystanders, start the engine.
- b) Engage blade drive switch.
- c) Raise slightly off seat.

ENGINE SHOULD STOP!

If any safety check fails: Do not operate the mower until the system has been checked and repaired by an authorized Dixon ZTR dealer!

OPERATION INSTRUCTIONS

SIDE DISCHARGE OF THE CLIPPINGS:

In order to achieve optimum performance when side discharging the grass clippings, please read and follow the tips listed below.

Additional information can be found in the troubleshooting guide.



CAUTION *Be sure that the deflector is properly installed on the discharge chute.*

1. Set engine speed control to the wide open or full setting.
2. *Do Not Attempt To Cut Grass When It Is Wet.* Wet grass will clog the underside of the deck and discharge area.
3. If the grass is tall, place the mower deck cut height lever in the top or second notch. “Initially” overlap cutting swaths instead of a full swath with each pass. Some applications may require a second cutting.
4. *Keep The Underside Of The Mower Deck Clean.* Frequent removal of dried grass and dirt will allow the clippings to discharge correctly.
5. *Maintain Sharp Blade(s) Throughout The Cutting Season.*

OPERATION INSTRUCTIONS

GRASS HEIGHT AND CUTTING SUGGESTIONS:

Do not attempt to cut grass when it is wet.

If the grass is tall, place the mower deck cut height lever in the top or second notch. "Initially" overlap cutting swaths instead of a full swath with each pass. Some applications may require a second cutting.

Keep the underside of the mower deck clean.

Maintain sharp blades throughout the cutting season.

As a rule of thumb, never cut off more than 1/3 of the total grass blade length.

Correct mowing height can reduce weeds and disease by 50% to 80%.

The following grass cut heights are based on adequate moisture conditions and normal thatch buildup in a healthy lawn. Some locations and applications may require slightly different cut heights. If in doubt, consult your local lawn professional for assistance.

<u>Grass Types</u>	<u>Best Cut Heights</u>
Bermudagrass	1 - 2"
Bluegrass	2 - 3"
Buffalograss	1 ^{1/2} -3"
Ryegrass	2 - 3"
Tall Fescue	3-3 ^{1/2} "
Zoysiagrass	1 - 3"

OPERATION INSTRUCTIONS

MOWING WITH A MULCHING ATTACHMENT:

Mulching or recycling the grass clippings requires a totally different mowing approach than would be normal when side discharging or bagging the grass. There may be instances or conditions where it is not possible to hide all of the recycled or mulched clippings.

In order to achieve the best results, please read and follow the mulching tips listed below:

1. Set the engine speed control to the wide open or full setting.
2. Place the mower deck cut height selector in either the top or second notch. Never cut more than 3/4" to 1" off the grass at any one time. Attempting to cut more grass will result in the deck plugging and cause the engine to stall.
3. It may be necessary to cut the lawn twice to achieve acceptable mulching performance especially on first cuttings or if the lawn is heavily fertilized.
4. *Do not attempt to cut grass when it is wet.* Mulching performance will be very poor under wet grass conditions.
5. *Maintain sharp blade(s) throughout the cutting season.* This is very important. Optimal mulching performance cannot be obtained with a dull or nicked up blade.

OPERATION INSTRUCTIONS

MOWING WITH A MULCHING ATTACHMENT (continued):

6. *Keep the underside of the mower deck clean.* Remove all grass and dirt build-up from the underside of the pan, the baffles and deflectors after each use.
7. Alternate mower direction. This will evenly disperse the mulched grass clippings over the lawn for even fertilization.

If the mulching quality of the mower does not seem to be satisfactory, try one or more of the following tips:

1. Raise the height-of-cut setting on your mower.
2. It may be necessary to cut your grass more frequently.
3. Operate the mower at a slower ground speed.
4. Overlap cutting swaths instead of cutting a full swath with each pass.
5. Mow across the marginal areas a second time.
6. *CUT HIGH - MOW OFTEN!*

CARE AND MAINTENANCE



CAUTION

*Before performing any maintenance, turn off engine,
allow to cool & remove key.*

Use extreme care when working on machinery.

*Do not wear watch or jewelry. Do not wear loose fitting clothes,
and observe all common safety practices with tools.*

MAINTENANCE SCHEDULE

- Check deck drive belt.....after 20 hours break-in
- Check crankcase oil level.....before each use
- Clean grass & debris from muffler & manifold area.....before each use
- Check air intake screen.....after each use
- Clean grass under deck.....after each use
- Check tire pressure.....every 10 hours
- Inspect blades for sharpness.....every 10 hours
- Clean air filter element.....every 25 hours
- Grease all zerks.....every 50 hours
- Check all belts.....every 50 hours
- Change engine crankcase oil.....[5 hours break-in] every 50 hours
- Change engine oil filter.....every 50 hours
- Replace air filter element.....annually or every 100 hours

CARE AND MAINTENANCE

ENGINE:

For complete maintenance and operating information of the engine, please refer to the maintenance instructions furnished by the engine manufacturer and included in your Zero Turn Radius mower information packet.



CAUTION

Battery contains sulfuric acid electrolyte which is poisonous and corrosive.

BATTERY:

- This is a maintenance-free battery and the fluid level cannot be checked.
- Charge battery if required.

OFF SEASON BATTERY STORAGE:

- DO NOT remove battery from mower.
- Clean top of battery and terminals with baking soda and water.
- Identify each cable so they can be reconnected to the correct terminal.
- Disconnect cables from terminals. ALWAYS disconnect ground cable first and reconnect last.
- Charge battery.

CARE AND MAINTENANCE

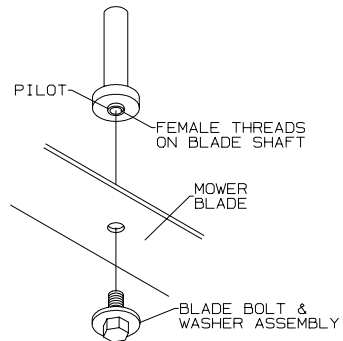
CUTTER BLADE MAINTENANCE:



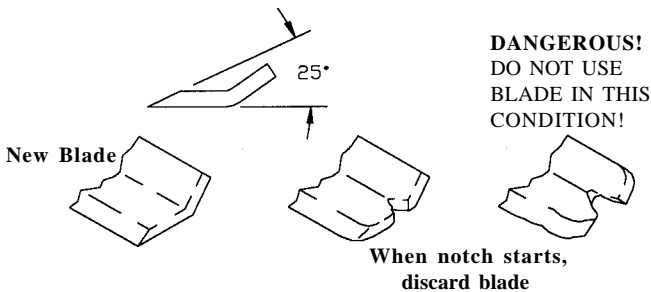
CAUTION Stop engine and remove ignition key for safety. Wear heavy, thick gloves when holding onto cutter blade, avoid the sharp edge of the blade.

Check sharpness of mower blades after every 10 hours of operation. Observe proper blade position prior to removal.

1. Safely raise front of mower.
2. Hold or block blade from turning.
3. Loosen blade bolt and remove blade.
4. When replacing blade, tighten blade bolt securely. Refer to diagram. Be sure blade is centered on pilot before tightening bolt to 60 ft. lbs.



Blades should be discarded when worn excessively.



CARE AND MAINTENANCE

TIRES:

Correct tire pressure is essential for efficient operation of the mower. Check tire pressure periodically. Inflate tires to the pressure listed below.

Front tires (9 x 3.50-4)	16-21 lbs.
Rear tires (16 x 6.50-8)	8-14 lbs.

Lug nuts or lug bolts should be checked regularly for tightness.

CARE AND MAINTENANCE

BELTS:

Check belts every 50 hours. Replace any belts found to be in poor condition.

BELT TENSION

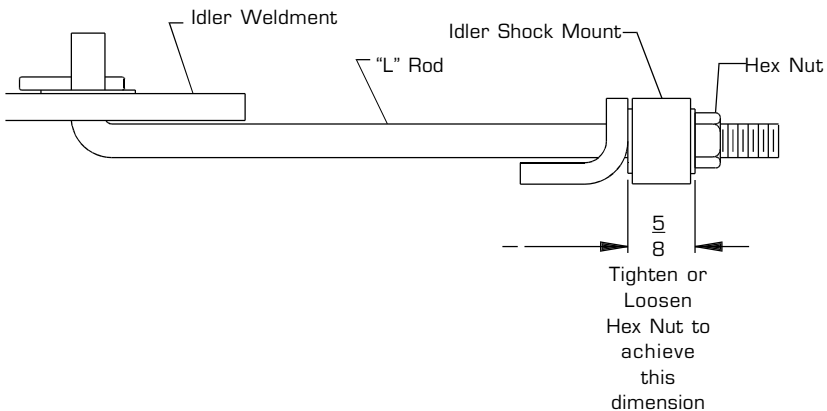
Transaxle Drive Belt [all Zeeter Models] - P/N 7650
No adjustment required.

30" Zeeter

Manual clutch - P/N 7725
No adjustment required.

36" Zeeter

Electric Clutch - P/N 14136
Adjust idler shock mount per diagram.



CARE AND MAINTENANCE

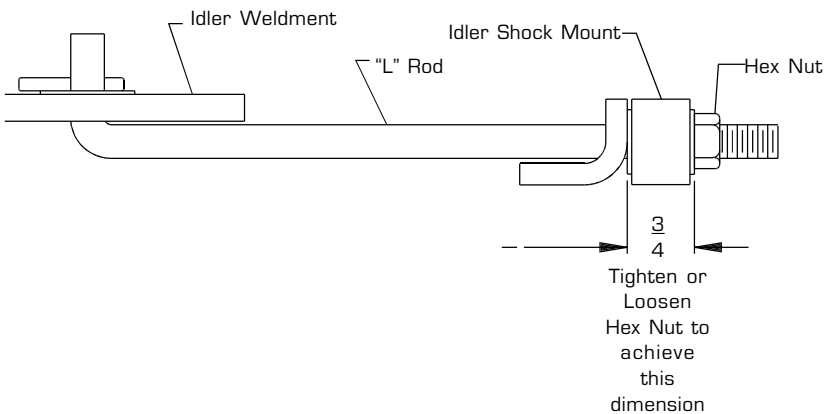
BELTS (continued):

42" Zeeter

Mower Deck Serpentine Belt

Electric Clutch - P/N 6109

Adjust idler shock mount per diagram.



Engine to Mower Deck Belt - P/N 5861

No adjustment required. Correct belt tension is maintained through a fixed engine location and a spring loaded idler system. A pulsing movement of the belt idler will be observed both during engagement of the electric blade clutch and actual operation of the mower deck.

Note: Engagement of the electric blade clutch switch may produce a sharp high pitched chirp or squeal as the belt tension loading is absorbed by the idler system. This is normal and not a sign of failure.

CARE AND MAINTENANCE

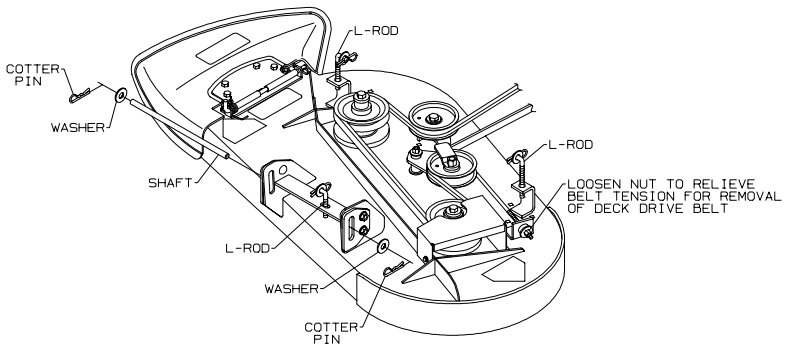
Deck Removal - Zeeter 30"

1. Place cut height lever in lowest cut position.
2. Loosen belt keepers.
3. Remove deck drive belt from engine pulley.
4. Using a slight upward twisting motion, remove link from engagement handle.
5. Turn handle fully to the left until handle clears stop on mower deck pan. Lift handle then remove handle down through hole in lower fender.
6. Remove hair pin cotter and washer from one end of deck support cross shaft. Note location of remaining shim washers used between chassis and mower deck pan arms. Slide shaft from chassis and mower deck.
7. Remove hair pin cotter and washer from each deck adjustment rod. Carefully push each link to disengage from deck lift arms. At this point, deck will drop down.
8. Carefully raise and support front of chassis. Slide mower deck to either side for removal. (Reverse procedure to reinstall deck assembly.)

CARE AND MAINTENANCE

Deck Removal - Zeeter 36"

1. Place cut height lever in lowest cut position.
2. Loosen nut on belt idler shock mount until belt can be removed from electric clutch pulley on the bottom of the engine. Refer to illustration.
3. Remove hair pin cotter and washer from one end of deck support cross shaft. Note location of remaining shim washers used between chassis and mower deck pan arms. Slide shaft from chassis and mower deck.
4. Remove hair pin cotter and washer from each deck adjustment rod. Carefully push each link toward the outside of the mower chassis. At this point, deck will drop down.
5. Carefully raise and support front of chassis. Slide mower deck to either side for removal. [Reverse procedure to reinstall deck assembly.]

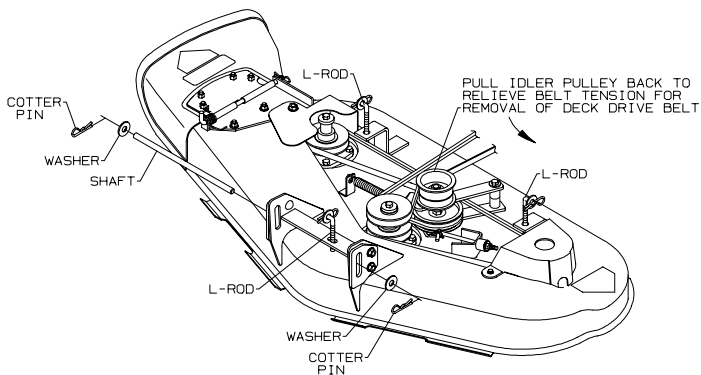


CARE AND MAINTENANCE

Deck Removal - Zeeter 42"

1. Place cut height lever in lowest cut position.
2. Pull belt idler back to allow belt to be removed from idler pulley and electric clutch pulley.
3. Remove hair pin cotter and washer from one end of deck support cross shaft. Note location of remaining shim washers used between chassis and mower deck plates. Slide shaft from chassis and mower deck.
4. Remove hair pin cotter and washer from each deck L-rod. Remove L-rods from lift arms. At this point, deck will drop down.
5. Carefully raise and support front of chassis. Slide mower deck to either side for removal. (Reverse procedure to reinstall deck assembly.)

Note: When deck is reinstalled on frame, check that belt is correctly routed in the groves of all pulleys and that belt idler is applying tension to the back side of the belt.



CARE AND MAINTENANCE

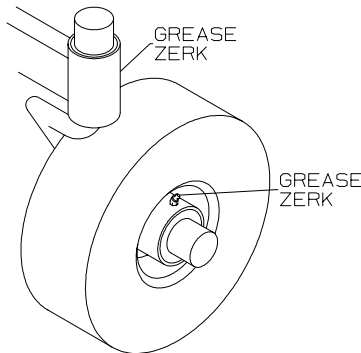
LUBRICATION:

CHASSIS: [5] for 30"
[6] for 36"
[7] for 42"

LOCATIONS: [1] each front wheel caster &
front wheel hub
[1] each mower deck hub

SERVICE INTERVALS: Every 50 hours of operation

RECOMMENDED GREASE: Name brand wheel bearing or multi-purpose grease. Once per season or 50 hours of operation [3 pumps each]



CARE AND MAINTENANCE

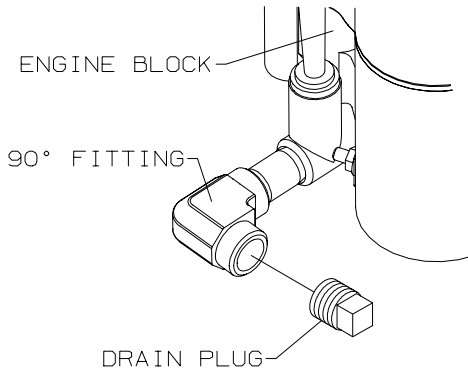


CAUTION HOT oil may cause burns. Allow engine to cool before draining oil.

CHANGING THE ENGINE OIL:

1. The oil drain valve is located on the lower left side of the engine crankcase.
2. Place a suitable container under the drain valve.
3. To drain, remove plug from 90° fitting.
4. After engine is drained, replace drain plug.

NOTE: Refer to engine manufacturer's recommendations for frequency of oil changes.



CARE AND MAINTENANCE

OIL FILL:

1. Drain oil.
2. Clean any spilled oil from engine and chassis.
3. Replace drain plug.
4. Refill engine with type, and quantity of oil recommended by the engine manufacturer in engine literature.

***PLEASE DISPOSE OF USED OILS
AT PROPER COLLECTION CENTERS.
PROTECT YOUR ENVIRONMENT.***

CARE AND MAINTENANCE

DRIVE SYSTEM ADJUSTMENTS:

Due to both the complex nature of the transmission and the number of special tools required for service, adjustments should be entrusted to your dealer.

There are a number of simple owner service items which greatly influence the performance of the drive system.

1. Front and rear tires must be inflated to proper specifications.
2. Rear drive chain tension.
3. Tightness of all controls and linkages pertaining to the drive levers.
4. Lubrication of both primary and final drive chains. The use of a high quality chain lubricant is highly recommended.

CARE AND MAINTENANCE

REAR CHAIN ADJUSTMENT:



CAUTION

Stop engine, remove key and set parking brake before attempting to adjust the rear chain.

Proper tension for the rear chains is accomplished through the use of an adjuster located at mid-point of each rear chain.

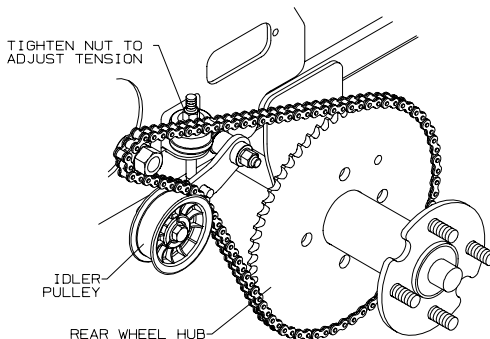
To adjust, tighten the nut on top of the rubber spring until the chain has approximately 1/4" movement up and down when measured at mid-point. Refer to illustration.

NOTE: Adjust rear drive chains after first 10 hours of use and every 40 hours thereafter.

NOTE: DO NOT OVERTIGHTEN CHAIN!

Maintenance:

Periodically remove any build-up of grass, mud or other debris from both the spring loaded roller and the upper guide rod. The use of a high quality chain lubricant is recommended.



CARE AND MAINTENANCE

ELECTRICAL SYSTEMS:

Keep all connections clean and tight.

CLEANING THE MOWER:

Wash mower periodically. Clean above and below deck. High pressure washing and alkaline based soaps can cause damage to bearings and other parts of the mower. After washing your mower, start the engine and engage the mower deck for a few minutes to disperse any water that may have accumulated in bearings, pulleys or fans.

Note: *Allow mower to cool before washing. If bearings are hot, they will draw moisture inside as they dry and cause corrosion.*

SERIAL NUMBERS:

The serial number is located on frame at rear of engine.

WARRANTY:

Refer to Warranty Registration sample on Page 13.

PARTS/SERVICE:

See your Dixon dealer for replacement parts, warranty or service.

PLEASE HELP PROTECT THE ENVIRONMENT BY AVOIDING ALL CHEMICALS WHICH MAY DAMAGE OR CAUSE HARM TO PLANTS AND ANIMALS IN YOUR AREA.

STANDARD SERVICE PARTS LIST

ZEETER MODEL

Blades

30" Standard - P/N 2483 (Lo-lift)

30" Hi-Lift - P/N 2484

36" Standard - P/N 1324 (Lo-lift)

36" Hi Lift - P/N 1351 (R)

36" Hi Lift - P/N 1352 (L)

42" Standard - P/N 8688 (Hi-lift)

42" Lo-Lift - P/N 6236

Belts

Engine to Transmission - P/N 7650 (all models)

30" Engine to Mower Deck - P/N 7725

36" Engine to Mower Deck - P/N 14136

42" Engine to Mower Deck - P/N 5861

42" Serpentine Blade Drive - P/N 6109

BRIGGS & STRATTON AIR AND OIL FILTER PART NUMBERS:

Refer to engine manufacturer's manual for correct service intervals for engine oil changes and air filter maintenance.

Protect your engine investment, use only original equipment filters.

TROUBLESHOOTING

1. ENGINE WON'T TURN OVER

Mower blades engaged- - - - -disengage blades
Parking brake not on- - - - -engage parking brake
Dead battery- - - - - charge or replace
Solenoid- - - - - consult dealer
Ignition switch- - - - - consult dealer
Starter- - - - - consult dealer

2. ENGINE WILL TURN OVER BUT WON'T START

No fuel- - - - - refuel and/or clean or replace fuel filters

3. HARD TO START ENGINE

Fuel line clogged- - - - - clean fuel line and check fuel filter

4. ENGINE STARTS BUT CUTS OUT

Water in fuel- - - - -drain old fuel-replace with new fuel
Clogged fuel line- - - - -check fuel filter
Fuel tank vent plugged- - - - - clean fuel vent
Faulty fuel pump- - - - - check vent

5. ENGINE OVERHEATED

Air intake screen or fins clogged- - - - -clean intake screen and fins
Oil level too low or too high- - - - - adjust oil level
Running engine too slow- - - - -run engine faster

TROUBLESHOOTING

6. ENGINE RUNS BUT MOWER WON'T MOVE FORWARD

Drive belt broken or slipping- - - - - replace drive belt
Transmission damage- - - - - consult dealer

7. MOWER LOSES POWER OR TRANSMISSION OVERHEATS

Engine air filter- - - - - clean or replace
Transmission damage- - - - - consult dealer

8. ENGINE STALLS WHEN BLADES ARE ENGAGED

Operator not on seat- - - - - sit on seat
Faulty interlock system- - - - - consult dealer
Bad blade spindle bearing - - - - - consult dealer
Deck drive belt not properly routed- - - - - reroute
Blades blocked by foreign material - - - - - clean under deck

9. DRIVE SYSTEM

Low on power- - - - - check belt tension
Mower pulls to side - - - - - check tire inflation/consult dealer
Mower creeps in neutral- - - - - consult dealer

10. CUT QUALITY

Skips in spots- - - - - check for loose belt/slow ground speed
Cut uneven left to right - - - - - check tire inflation/level the deck
Poor dispersal of grass- - - - - clean deck/check for loose belt
Ends of grass blades are ragged- - - - - sharpen blades

NOTES

OWNER INFORMATION



DIXON INDUSTRIES, INC.
a BLOUNT International Inc. Co.
P.O. Box 1569
Coffeyville, Ks 67337-0945
620-251-2000
FAX 620-251-4117



Date Purchased _____

Mower Model Number _____

Mower Serial Number _____

Purchased From _____

Name

Address

DATE OIL CHANGED:

DATE ENGINE TUNED:



WARNING: *The engine exhaust from this product contains chemicals known to the State of California to cause cancer, birth defects or other reproductive harm.*

Dixon® and ZTR® and ZEETER® are registered trademarks of Dixon Industries, Inc.

DIXON INDUSTRIES, INC.
a BLOUNT International Inc. Co.
P.O. Box 1569
Coffeyville, Ks 67337-0945
620-251-2000

ZEETER SERIES
Part No. 14186-0303