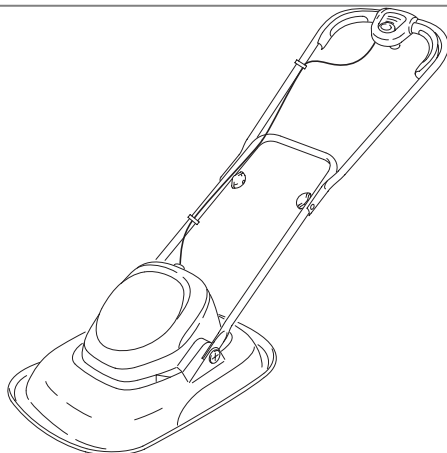


Flymo

Electrolux

Turbo Lite 330/350 Turbo 400



GB

IMPORTANT INFORMATION

Read before use and retain for future reference

D

WICHTIGE INFORMATION

Bitte vor dem Benutzen des Gerätes durchlesen und gut aufbewahren

F

RENSEIGNEMENTS IMPORTANTS

A lire avant usage et à conserver pour référence ultérieure

NL

BELANGRIJKE INFORMATIE

Leest u deze informatie voor het gebruik en bewaar ze voor toekomstige raadpleging

N

VIKTIG INFORMASJON

Les bruksanvisningen nøye før bruk og oppbevar den for senere bruk

SF

TÄRKEÄÄ TIETOA

Lue tämä ennen käyttöä ja säilytä myöhempää tarvetta varten

S

VIKTIG INFORMATION

Läs anvisningarna före användningen och spara dem för framtida behov

DK

VIGTIGE OPLYSNINGER

Du bør læse brugsanvisningen før brug og gemme til senere henvisning

E

INFORMACIÓN IMPORTANTE

Léase antes de utilizar y consérvela como referencia en el futuro

P

INFORMAÇÕES IMPORTANTES

Leia antes de utilizar e guarde para consulta futura

I

INFORMAZIONI IMPORTANTI

Leggere prima dell'uso e conservare per ulteriore consultazione

HU

Jótállást vállalni csak rendeltetészerűen használatba vett gépekre tudunk. Kérjük, hogy a gép használatba vétele előtt gondosan olvassa el a kezelési utasításokat.

PL

Gwarancja traci ważność w przypadku używania urządzenia do celów innych niż wymienione w instrukcji obsługi. Prosimy o uważne przeczytanie instrukcji oraz o stosowanie się do zaleceń i wskazówek w niej zawartych

CZ

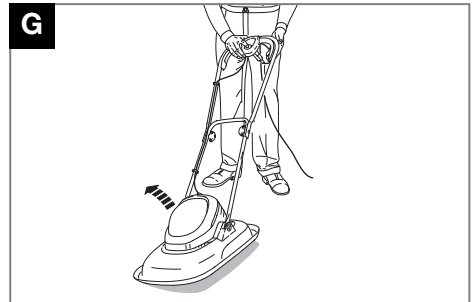
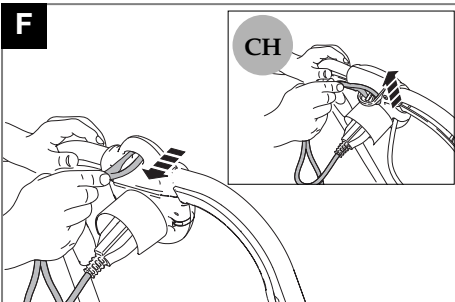
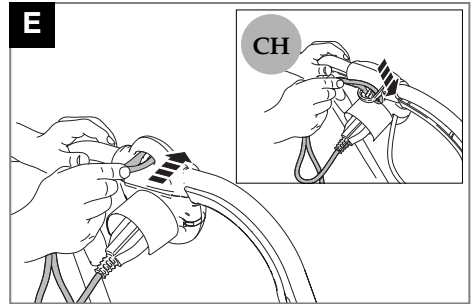
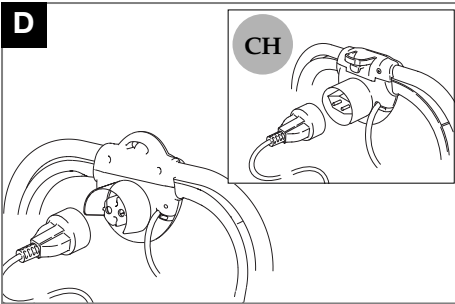
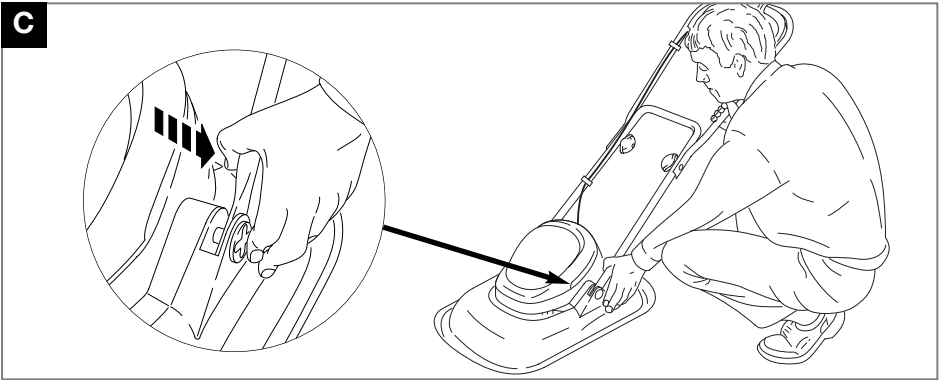
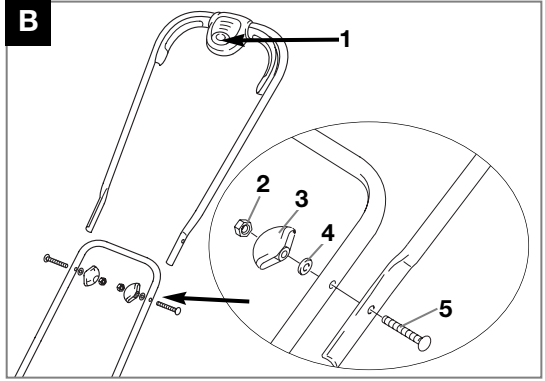
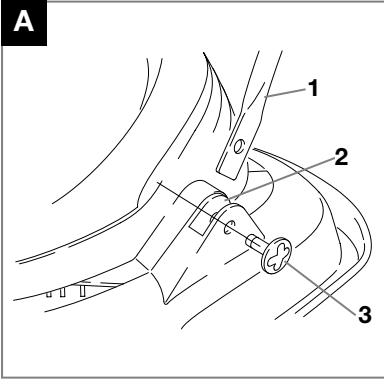
Záruka se nebude vztahovat na závady způsobené nesprávným používáním, nebo jestliže bude výrobek použit pro jiné účely než pro jaké byl vyroben, nebo také jinak než je uvedeno v návodu k obsluze. Tento návod si přečtěte, prosím, velmi pozorně a uchovejte jej pro možné budoucí odkazy

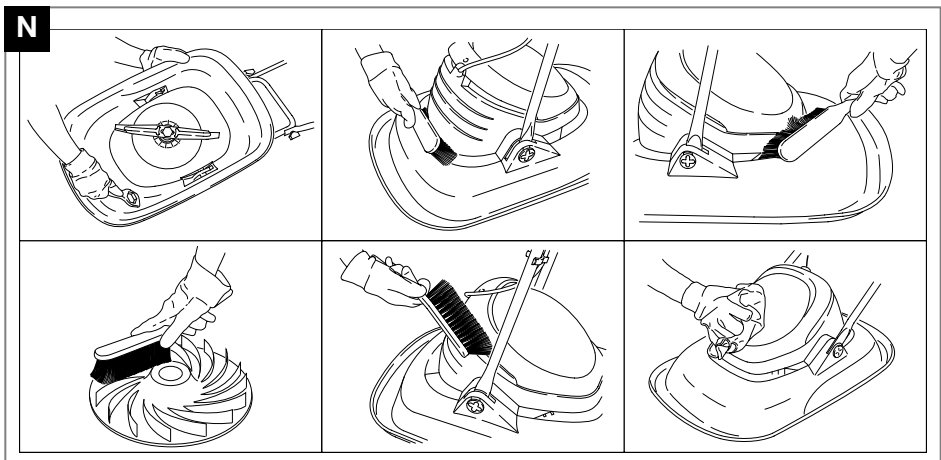
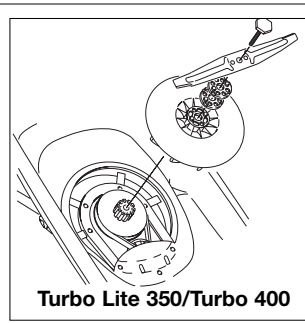
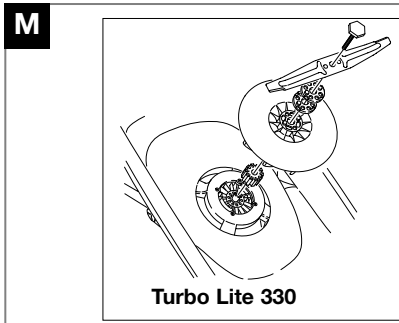
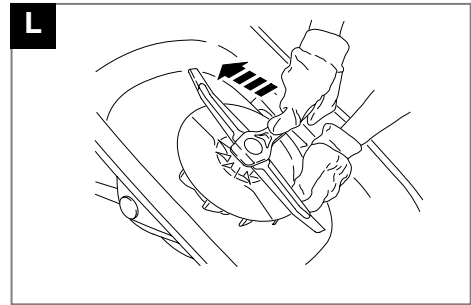
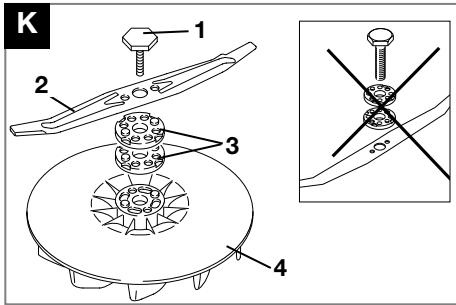
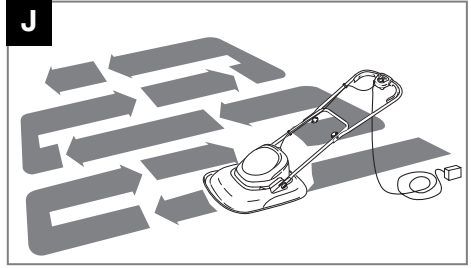
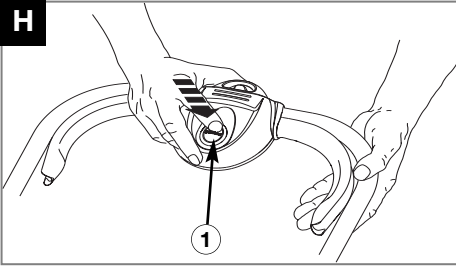
SK

Záruka na tento produkt nebude uznaná v prípade porúch spôsobených nesprávnou obsluhou alebo používaním výrobku na iný účel alebo iným spôsobom, ako je uvedené. Pred začatím práce si prosím dôkladne prečítajte návod na obsluhu a tento si aj pred prípad potreby uschovajte

SL

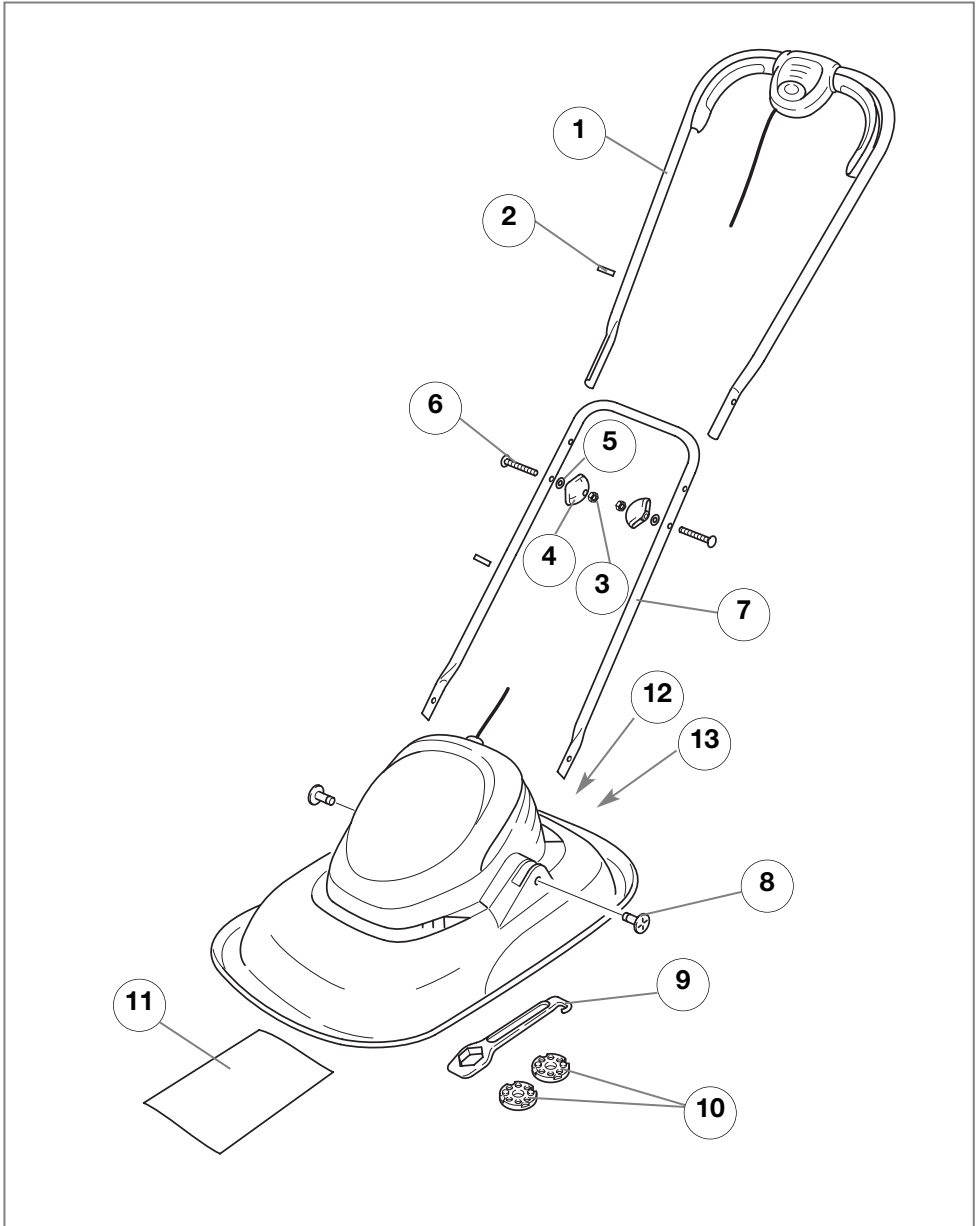
Garancija ne velja ob nepravilni uporabi proizvoda in/ali ob uporabi za drugi namen kot je izdelan. Prosimo, da pred uporabo, preverite pazljivo navodila za obratovanje in jih shranite za kasnejšo rabo.





<p>GB - CONTENTS</p> <ol style="list-style-type: none"> Upper handle Cable clip Nut (if applicable) Plastic handle knob Washer Bolt Lower handle Fixing pin Spanner/scrapper tool Cutting height spacers (Turbo Lite 330 - 1 fitted to lawnmower & 2 in loose parts pack) (Turbo Lite 350/Turbo Lite 350/Turbo 400 - 1 fitted to lawnmower & 3 in loose parts pack) Instruction Manual Warning Label Product Rating Label 	<p>N - INNOLD</p> <ol style="list-style-type: none"> Øvre håndtak Kabelklemmer Mutter (om relevant) Vingemuttere Skiver Håndtaksbolter Nedre håndtak Festebolt Skrunnøkkel/skrape Avstandsstykker for justering av klippehøyden (Turbo Lite 330 - 1 monteret på gressklipperen & 2 i pakken med løse deler), (Turbo Lite 350/Turbo 400 - 1 monteret på gressklipperen & 3 i pakken med løse deler) Bruksanvisning Advarselsetikett Produktmerking 	<p>E - CONTENIDO</p> <ol style="list-style-type: none"> Empuñadura superior Grapa de cable Tuerca (si fuera aplicable) Manija de empuñadura Arandela Perno Empuñadura inferior Pasador de fijación Herramienta/raspador Espaciadores de altura de corte (Turbo Lite 330 - 1 instalado en el cortacésped y 2 en paquete de piezas sueltas) (Turbo Lite 350/Turbo 400 - 1 instalado en el cortacésped y 3 en paquete de piezas sueltas) Manual de instrucciones Etiqueta de Advertencia Placa de Características del Producto 	<p>PL - ZAWARTOSC KARTONU</p> <ol style="list-style-type: none"> Górny uchwyt Zaczep kabla Nakrętka (jeżeli jest) Gałka mocująca Podkładka Śruba Dolny uchwyt Szwozerzy mocujący Klucz/skrabak Rozpórki ustalające wysokość koszenia. (model Turbo Lite 330 - jedna rozpórka jest zamontowana w kosiarce natomiast dwie znajdują się w pakiecie z luźnymi częściami), (model Turbo Lite 350/Turbo 400 - jedna rozpórka jest zamontowana w kosiarce natomiast trzy rozpórki znajdują się w pakiecie z luźnymi częściami) Instrukcja Obsługi Znaki bezpieczeństwa Tabliczka znamionowa
<p>D - INHALT</p> <ol style="list-style-type: none"> Oberer Griff Kabelhalter Mutter (falls vorhanden) Griffknopf Unterlegscheibe Bolzen Unterer Griff Paßstift Schraubenschlüssel/Reinigungswerkzeug Schnitthöhen-Distanzschrauben (Turbo Lite 330 - 1 befindet sich am Rasenmäher & 2 werden lose in einem Beutel geliefert), (Turbo Lite 350/Turbo 400 - 1 befindet sich am Rasenmäher & 3 werden lose in einem Beutel geliefert) Bedienungsanweisung Warnetikett Produkttypenschild 	<p>SF - SISÄLTÖ</p> <ol style="list-style-type: none"> Ylempi kahva Johdon pidike Mutteri (jos käytössä) Kahvan nuppi Tiivistysrengas Pultti Alempi kahva Kiinnitystappi Ruuvivaiavin/kaavin Leikkaukskorkeuden säätölevy (Turbo Lite 330 - 1 asennettu ruohonleikkuriin ja 2 pakkauskassa), (Turbo Lite 350/Turbo 400 - 1 asennettu ruohonleikkuriin ja 3 pakkauskassa) Käyttöopas Varoitusnimike Ruohonleikkurin arvokilpi 	<p>P - LEGENDA</p> <ol style="list-style-type: none"> Guiador superior Grampo do cabo Porca (se aplicável) Maçaneta Anilha Cavilha Guiador inferior Parafuso Chave de fendas Espaçadores da altura de corte (Turbo Lite 330 - 1 instalado na máquina de cortar relva e 2 no pacote de peças soltas), (Turbo Lite 350/Turbo 400 - 1 instalado na máquina de cortar relva e 3 no pacote de peças soltas) Manual de Instruções Etiqueta de Aviso Rótulo de Avaliação do Produto 	<p>CZ - POPIS STROJE</p> <ol style="list-style-type: none"> Horní rukojeť Úchytka kabelu Matice (pokud se používá) Otáčový knoflík na rukojeti Podložka Šroub Spodní rukojeť Spojovací kolík Klíč/nástroj pro čištění Distanční tělíská výšky sekání (Turbo Lite 330 - 1 instalováno na sekačce a 2 v balíku s náhradními díly), (Turbo Lite 350/Turbo 400 - 1 instalováno na sekačce a 3 v balíku s náhradními díly) Návod k obsluze Výstražný štítek Typový štítek výrobku
<p>F - TABLE DES MATIÈRES</p> <ol style="list-style-type: none"> Guidon supérieur Attache câble Ecrou (si applicable) Bouton de Guidon Rondelles Boulons Guidon inférieur Chevilles de fixation Raclette Rondelles de réglage (Turbo Lite 330 - 1 montée sur la tondeuse et 2 dans les pièces détachées), (Turbo Lite 350/Turbo 400 - 1 montée sur la tondeuse et 3 dans les pièces détachées) Manuel d'Instructions Etiquette d'avertissement Plaque des Caractéristiques du Produit 	<p>S - INNEHÅLL</p> <ol style="list-style-type: none"> Øvre handtag Kabelklamma Mutter (om sådan är monterad) Knopp för handtag Bricka Bult Undre handtag Fästbult Skruvnyckel/Avskrapare Distanbrickor för klipphöjd (Turbo Lite 330 - 1 monterad på gräsklipparen och 2 lösa i förpackning), (Turbo Lite 350/Turbo 400 - 1 monterad på gräsklipparen och 3 lösa i förpackning) Bruksanvisning Varningsetikett Produktmärkning 	<p>I - INDICE CONTENUTI</p> <ol style="list-style-type: none"> Impugnatura superiore Morsetto per il cavo Dado (se pertinente) Manopola Rondella Bullone Impugnatura inferiore Perno di fissaggio Chiave/raschietto Distanziali altezza di taglio (Turbo Lite 330 - 1 montato sul tosaerba e 2 sfusi nel sacchettino dei ricambi), (Turbo Lite 350/Turbo 400 - 1 montato sul tosaerba e 3 sfusi nel sacchettino dei ricambi) Manuale di istruzioni Etichetta di pericolo Etichetta dati del prodotto 	<p>SK - OBSAH</p> <ol style="list-style-type: none"> Vrchná rukoväť Svorka na kábel Matka (ak aplikovateľná) Kĺb rukoväte Podložka Skrutka Spodná rukoväť Upevňovací kolík Kľúč/skrabka Sekacie medzerníky výšky (Turbo Lite 330 - 1 upevnený ku kosačke a 2 v balíčku voľných častí), (Turbo Lite 350/Turbo 400 - 1 upevnený ku kosačke a 3 v balíčku voľných častí) Príručka Varovný štítok Prístrojový štítok
<p>NL - INHOUD</p> <ol style="list-style-type: none"> Bovenstuk van duwboom Snoerklem Moer (indien van toepassing) Knop voor duwboom Pakkingring Bout Onderstuk van duwboom Bevestigingspin Moersleutel/schraapinstrument Snijhoogte-tussenstukken (Turbo Lite 330 - 1 in grasmaaimachine en 2 in pak met losse onderdelen), (Turbo Lite 350/Turbo 400 - 1 in grasmaaimachine en 3 in pak met losse onderdelen) Handleiding Waarschuwingsetiket Product-informatielabel 	<p>DK - INDHOLD</p> <ol style="list-style-type: none"> Øvre håndtag Kabelklemme Motrik (hvis relevant) Håndtagsknop Spændeskive Bolt Nedre håndtag Håndtagsstift Skrue nøgle/skrabeværktøj Afstandsskiver til indstilling af klippehøjde (Turbo Lite 330 - 1 monteret på planeklipperen og 2 løse i posen) (Turbo Lite 350/Turbo 400 - 1 monteret på planeklipperen og 3 løse i posen) Brugsvejledning Advarselmærkat Produktsiets mærkeskilt 	<p>HU - TARTALOMJEGYZÉK</p> <ol style="list-style-type: none"> Felső tolókar Kábelrögzőtő Anyá (ha van) Rögzőtőgomb Alátét Csavar Alsó tolókar Rögzőtőcsap Csavar kulcs/térközbeállító szerző Vágómagasság-beállítók (Turbo Lite 330 - 1 db be van szerelve, 2 db a külön alkatrész-csomagolásban található), (Turbo Lite 350/Turbo 400 - 1 db be van szerelve, 3 db a külön alkatrész-csomagolásban található) Kezelési útmutató Figyelmeztető címke Termékinformációs címke 	<p>SL - VSEBINA</p> <ol style="list-style-type: none"> Zgornje držalo Sponka za kábel Matica (če je priložena) Pritrdilna matica Podložka Vijak Spodnje držalo Pritrdilni trn Ključ/strgalo distančnički za višino reza (Turbo Lite 330 - 1 montiran v kosilnici in 2 v zavitku z rezervnimi deli), (Turbo Lite 350/Turbo 400 - 1 montiran v kosilnici in 3 v zavitku z rezervnimi deli) Prilročnik Opozorilna oznaka Tipna tablica

(GB)	CARTON CONTENTS	(S)	FÖRPACKNINGENS	(I)	CONTENUTO
(D)	KARTONINHALT		INNEHÅLL	(HU)	A DOBOZ TARTALMA
(F)	CONTENU DU CARTON	(DK)	KARTONINDHOLD	(PL)	ZAWARTOŚĆ KARTONU
(NL)	INHOUD	(E)	CONTENIDO DEL	(CZ)	OBSAH KRABICE
(N)	KARTONGEN	(P)	LEGENDAS DOS	(SK)	OBSAH BALENIA
(SF)	PAKETIN SISÄLTÖ		DESENHOS	(SL)	VSEBINA ŠKATLE



SAFETY PRECAUTIONS



If not used properly this lawnmower can be dangerous! This lawnmower can cause serious injury to the operator and others, the warnings and safety instructions must be followed to ensure reasonable safety and efficiency in using this lawnmower. The operator is responsible for following the warning and safety instructions in this manual and on the lawnmower.

Explanation of Symbols on the Turbo Lite 330/350/Turbo 400



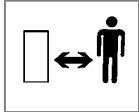
Warning



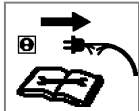
Read the user instructions carefully to make sure you understand all the controls and what they do.



Always keep the lawnmower on the ground when mowing. Tilting or lifting the lawnmower may cause stones to be thrown out



Keep bystanders away. Do not mow whilst people especially children or pets are in the mowing area



Switch off! Remove plug from mains before adjusting, cleaning or if cable is entangled or damaged. Keep the cable away from the blade.



Beware of severing toes or hands. Do not put hands or feet near a rotating blade.



Blade continues to rotate after the machine is switched off. Wait until all machine components have completely stopped before touching them.



Do not mow in the rain or leave the lawnmower outdoors while raining

General

- Never allow children or people unfamiliar with these instructions to use the mower. Local regulations may restrict the age of the operator.
- Only use the lawnmower in the manner and for the functions described in these instructions.
- Never operate the lawnmower when you are tired, ill or under the influence of alcohol, drugs or medicine.

- The operator or user is responsible for accidents or hazards occurring to other people or their property.

Electrical

- The use of a Residual Current Device (R.C.D.) with a tripping current of not more than 30mA is recommended. Even with a R.C.D. installed 100% safety cannot be guaranteed and safe working practice must be followed at all times. Check your R.C.D. every time you use it.
- Before use, examine cable for damage, replace it if there are signs of damage or ageing.
- Do not use the lawnmower if the electric cables are damaged or worn
- Immediately disconnect from the mains electricity supply if the cable is cut, or the insulation is damaged. Do not touch the electric cable until the electrical supply has been disconnected. Do not repair a cut or damaged cable. Replace it with a new one.
- Your extension cable must be uncoiled, coiled cables can overheat and reduce the efficiency of your mower.
- Keep cable away from lawnmower, always work away from the power point mowing up and down, never in circles.
- Do not pull cable around sharp objects.
- Always switch off at the mains before disconnecting any plug, cable connector or extension cable.
- Switch off, remove plug from mains and examine electric supply cable for damage or ageing **before** winding cable for storage. Do not repair a damaged cable, replace it with a new one. Use only Flymo replacement cable.
- Always wind cable carefully, avoiding kinking.
- Never carry the product by the cable.
- Never pull on the cable to disconnect any of the plugs.
- Use only on AC mains supply voltage shown on the product rating label.
- Our products are double insulated to EN60335. Under no circumstance should an earth be connected to any part of the product.

Cables

Use only 1.00mm² size cable up to 30 metres length maximum.

Maximum rating:

1.00mm² size cable 10 amps 250 volts AC

- Mains cables and extensions are available from your local Electrolux Outdoor Products Approved Service Centre.
- Only use extension cables specifically designed for outdoor use.

Preparation

- Do not mow barefoot or in open sandals. Always wear suitable clothing, gloves, and stout shoes.
- Make sure the lawn is clear of sticks, stones, bones, wire and debris; they could be thrown by the blade.

SAFETY PRECAUTIONS

3. Before using the machine and after any impact, check for signs of wear or damage and repair as necessary.
4. Replace worn or damaged blades together with their fixings in sets to preserve balance.

Use

1. Use the lawnmower only in daylight or good artificial light.
2. Avoid operating your lawnmower in wet grass, where feasible.
3. Take care in wet grass, you may lose your footing.
4. On slopes, be extra careful of your footing and wear non-slip footwear.
5. Mow across the face of slopes, never up and down.
6. Exercise extreme caution when changing direction on slopes. Walk never run.
7. Mowing on banks and slopes can be dangerous. Do not mow on **banks** or **steep** slopes.
8. Do not walk backwards when mowing, you could trip.
9. Never cut grass by pulling the mower towards you.
10. Switch off before pushing the mower over surfaces other than grass.
11. Never operate the lawnmower with damaged guards or without guards in place.
12. Keep hands and feet away from the cutting means at all times and especially when switching

13. Do not tilt lawnmower when the motor is running, except when starting and stopping. In this case, do not tilt more than absolutely necessary and lift only the part which is away from the operator. Always ensure that both hands are in the operating position before returning the appliance to the ground.
14. Never pick up or carry a mower when it is operating or still connected to the mains supply.
15. Remove the plug from the mains :
 - before leaving the mower unattended for any period;
 - before clearing a blockage;
 - before checking, cleaning or working on the appliance;
 - if you hit an object. Do not use your lawnmower until you are sure that the entire lawnmower is in a safe operating condition.;
 - if the lawnmower starts to vibrate abnormally. Check immediately. Excessive vibration can cause injury.

Maintenance and storage

1. Keep all nuts, bolts and screws tight to be sure the lawnmower is in safe working condition.
2. Replace worn or damaged parts for safety.
3. Only use the replacement blade, blade bolt, spacer and impeller specified for this product.
4. Be careful during adjustment of the lawnmower to prevent entrapment of the fingers between moving blades and fixed parts of the machine.

ASSEMBLY

A1 - lower handle

A2 - slots

A3 - fixing pin

Fitting the Lower Handles to Your Lawnmower (A)

1. Place the end of the lower handle into the slots.
 2. Secure lower handles to hood by firmly pushing fixing pin through holes in hood and handle.
 3. Repeat on the other side.
- **NOTE**
Should a problem occur when securing handle to hood with the fixing pin, carefully lever fixing pin out of location and repeat steps 1 to 3 above.

B1 - lock off button, B2 - nut (if applicable)

B3 - handle knob, B4 - washer, B5 - bolt

Fitting Upper Handles to Lower Handles (B)

1. Ensure the upper handle is located correctly with the lock-off button on the switchbox uppermost.
2. Ensure the upper handle and the lower handle are aligned correctly.
3. Insert the nut into the handle knob. (if applicable)
4. Fit the bolts, washers and handle knobs.
5. Fit the cable to the handles with the clips provided. Make sure the cable is not trapped between the upper and lower handles.

HANDLE ADJUSTMENT

- **WARNING! STOP THE LAWNMOWER AND WAIT UNTIL THE BLADE HAS STOPPED ROTATING BEFORE ADJUSTING THE HANDLE.**
- **NOTE! REMOVAL OF LOWER HANDLE FIXING PINS IS NOT REQUIRED TO ADJUST THE HANDLE**

TO ADJUST THE HANDLE (C)

1. Hold handle as illustrated.
2. Take the weight of the handle with your right hand...
3. ...then grip the lower part of the handle with your left hand...
4. ...and **pull** the lower handle towards you with your left hand.
5. Move to forward or down position as required.

HANDLE IN FORWARD POSITION

Follow procedure described in "TO ADJUST THE HANDLE" and push handle forward until it stops.

HANDLE IN DOWN POSITION

Follow procedure described in "TO ADJUST THE HANDLE" and move handle downward until it stops..

NOTE - The handle does not rest flat on the ground.

HANDLE IN OPERATING POSITION

Adjustment is not required to move the handle to the operating position
Simply pull down from the forward position **or** lift up from the down position until the handle is in the most comfortable operating position.

STARTING AND STOPPING

To Start your Lawnmower

1. Connect female extension cable connector to the back of the switchbox **(D)**.
2. Form loop in mains cable and push the loop through the slot as illustrated in picture **(E)**
3. To secure, position loop over the hook and pull the cable back through the slot as illustrated in picture **(F)**.
4. Connect plug to mains and switch on.
5. To prevent a ring being cut in your lawn and to clear any residual grass in the collection chute, tilt your lawnmower slightly **(G)**.

The switchbox is provided with a lock-off button (H1) to prevent accidental starting.

6. Press and hold the lock-off button **(H)** on the switchbox, then squeeze one of the Start/Stop levers towards the upper handle **(H)**.

7. Continue to squeeze the start/stop lever towards the upper handle and release the lock-off button.
8. When the lawnmower has reached full speed gently lower it onto the lawn.

NOTE

There are two start/stop levers fitted. Either one can be used for starting the lawnmower.

IMPORTANT

Do not use the start/stop levers intermittently

To Stop your Lawnmower

1. To prevent a ring being cut in your lawn and to clear any residual grass in the collection chute, tilt your lawnmower slightly **(G)**.
2. Release the pressure on the Start/Stop lever.

HOW TO MOW

1. Start mowing the edge of the lawn nearest to the power point so the cable is laid out on the lawn you have already cut. **(J)**
2. Cut your grass twice a week during the growing season, your lawn will suffer if more than a third of its length is cut at one time.

Do Not Overload Your Mower

Mowing long thick grass may cause the motor speed to drop, you will hear a change in the motor sound. If the motor speed drops you may overload your lawnmower which may cause damage. When mowing in long thick grass a first cut with the cutting height set higher will help reduce the load. See Adjusting the Cutting Height.

ADJUSTING THE CUTTING HEIGHT

Always handle the blade with care - sharp edges could cause injury. USE GLOVES. Never use more than 3 Cutting Height Spacers for the Turbo Lite 330 OR 4 Cutting Height Spacers for the Turbo Lite 350/Turbo 400. Spacers must only be fitted between the blade and the fan and NEVER between the blade and the bolt.

1. Remove the blade bolt, and blade as described in **Removing the Blade and Fan**.
2. **For a Lower Cut** - Add spacers to a maximum of 3 for Turbo Lite 330, or 4 for Turbo Lite 350/Turbo 400.
3. **For a Higher Cut** - Take spacers away.
4. Refit the blade as described in **Fitting the Blade and Fan**.

REMOVING AND FITTING THE BLADE AND FAN

K1 - Blade Bolt

K2 - Blade

K3 - Spacers

K4 - Fan

Removing the Blade and Fan

1. To remove the blade bolt, hold the fan firmly and with the spanner provided loosen the blade bolt by turning it anti-clockwise **(L)**.
 2. Remove the blade bolt, blade, spacers and fan.
 3. Inspect for damage and clean as necessary.
- **Renew your metal blade after 50 hours mowing or 2 years whichever is the sooner - regardless of condition.**

Fitting the Blade and Fan

- **If the blade is cracked or damaged replace it with a new one.**

- **Never use a blade bolt if the insulated head is damaged cracked or missing.**

1. Ensure the fan is located correctly.
2. Place the spacers onto the fan ensuring the pegs have located into the holes.
3. Place the blade onto the spacers ensuring the pegs have located into the holes on the blade and ensuring the blade is positioned as illustrated in **Figure M**.
4. Place the blade bolt through the centre hole of the blade.**(M)**
5. Tighten down clockwise by hand.
6. Hold the fan firmly and tighten the blade bolt with the spanner provided.

SERVICE RECOMMENDATIONS

- **Your product is uniquely identified by a silver and black product rating label.**
- **We strongly recommend that your product is serviced at least every twelve months, more often in a professional application.**

CARING FOR YOUR LAWMOWER

Cleaning (USE GLOVES) (N)

It is very important that you keep your lawnmower clean. Grass clippings left in any of the air intakes or under the hood could become a potential fire hazard.

1. Remove grass from under the hood with a piece of wood or similar.
 2. Using a soft brush - remove grass clippings from **all** air intakes.
 3. Remove the blade, **see Figure L**, to gain access to the fan and clean with a soft brush.
 4. Wipe over the surface of your lawnmower with a dry cloth.
- **IMPORTANT:** Never use water for cleaning your lawnmower. Do not clean with chemicals, including petrol, or solvents - some can destroy critical plastic parts.

At the End of the Mowing Season

1. Replace blade, bolts, nuts or screws, if necessary.
2. Clean your lawnmower thoroughly.
3. Ask your local Service Centre to clean the air filter thoroughly and carry out any service or repairs required.
4. Make sure that the electric cable is coiled properly.

Carrying your Lawnmower Ensure the blade is facing away from you.

Storing your Lawnmower

Store in a dry place where your lawnmower is protected from damage.

FAULT FINDING HINTS

Fails to Operate

1. Is the Power Turned On?
2. Check the fuse in the plug, if blown replace.
3. Fuse continues to blow?

Immediately disconnect from the mains electricity supply and consult your local approved Service Centre.

Poor Flotation

1. Disconnect from the mains electricity supply.
2. Clean the underside of the hood and the fan blades.
3. Raise to a higher height of cut. See Adjusting the Height of Cut.

4. If poor flotation persists?

Disconnect from the mains electricity supply and consult your local approved Service Centre.

Excessive Vibration

1. Disconnect from the mains electricity supply.
2. Check that the blade is fitted correctly?
3. If the blade is damaged or worn, replace it with a new one.
4. If vibration persists?

Immediately disconnect from the mains electricity supply and consult your local approved Service Centre.

GUARANTEE AND GUARANTEE POLICY

If any part is found to be defective due to faulty manufacture within the guarantee period, Electrolux Outdoor Products, through its Authorised Service Repairers will effect the repair or replacement to the customer free of charge providing:

- (a) The fault is reported directly to the Authorised Repairer.
 - (b) Proof of purchase is provided.
 - (c) The fault is not caused by misuse, neglect or faulty adjustment by the user.
 - (d) The failure has not occurred through fair wear and tear.
 - (e) The machine has not been serviced or repaired, taken apart or tampered with by any person not authorised by Electrolux Outdoor Products.
 - (f) The machine has not been used for hire.
 - (g) The machine is owned by the original purchaser.
 - (h) The machine has not been used outside of the country for which it was specified.
 - (i) The machine has not been used commercially.
- * This guarantee is additional to, and in no way diminishes the customers statutory rights.

Failures due to the following are not covered, therefore it is important that you read the instructions contained in this Operator's Manual and understand how to operate and maintain your machine:

Failures not covered by guarantee

- * Replacing worn or damaged blades
- * Failures as a result of not reporting an initial fault.
- * Failures as a result of sudden impact.
- * Failures as a result of not using the product in accordance with the instructions and recommendations contained in this Operator's Manual.
- * Machines used for hire are not covered by this guarantee.
- * The following items listed are considered as wearing parts and their life is dependent on regular maintenance and are, therefore not normally subject to a valid warranty claim: Blades, Electric Mains cable.
- * **Caution!** Electrolux Outdoor Products does not accept liability under the warranty for defects caused in whole or part, directly or indirectly by the fitting of replacement parts or additional parts that are not either manufactured or approved by Electrolux Outdoor Products, or by the machine having been modified in any way.

ENVIRONMENTAL INFORMATION

Electrolux Outdoor Products are manufactured under an Environmental Management System (ISO 14001) using, where practical, components manufactured in the most environmentally responsible manner, according to company procedures, and with the potential for recycling at the end of the products' life.

- Packaging is recyclable and plastic components have been labelled (where practical) for categorised recycling.
- Awareness of the environment must be considered when disposing of 'end-of-life' product.
- If necessary, contact your local authority for disposal information.

BELGIQUE/BELGIË	Flymo Belgique/België Tel: 02 363 0311, Fax: 02 363 0391
ČESKÁ REPUBLIKA	Electrolux, spol. s.r.o., oz Electrolux Outdoor Products, Na Křečku 365, Praha 10 - Horní Měcholupy. Tel: 02/7847 0164, Info-linka: 0800/110 220 Internet: www.partner-flymo.cz E-mail: info@husqvarna.cz
DANMARK	Electrolux Outdoor Products, Flymo/Partner A/S, Lundtoftegaardsvej 93A, DK 2800 Kgs.Lyngby Tel: 45 87 75 77, Fax: 45 93 33 08, www.flymo-partner.dk
DEUTSCHLAND	Flymo Deutschland Tel: 097 21 7640, Fax:097 21 764202
ESTONIA	Electrolux Estonia Ltd (Electrolux Eesti AS) Tel: (372) 6650010
FRANCE	Flymo France SNC Tel 01 46 67 8141, Fax 01 43 34 2491
FINLAND SUOMI	Electrolux Outdoor Products Finland Tel: 00 358 9 39611, Fax: 00 358 9 3961 2644
ITALIA	McCulloch Italiana s.r.l. - Via Como 72, 23868 Valmadrera (LECCO) - ITALIA Tel: 800 017829, Fax: 0341 581671
IRELAND	Flymo Ireland Tel: 01 4565222, Fax: 01 4568551
MAGYARORSZÁG	Electrolux Lehel Kft Tel: 00 36 1 251 41 47
NORGE	Flymo/Partner, div. av Electrolux Motor a.s. Tel: 69 10 47 90
NEDERLAND	Flymo Nederland Tel: 0172-468322, Fax: 0172-468219
ÖSTERREICH	Husqvarna-Ges.m.b.H. Nfg. KG, Industriezeile 36, 4010 LINZ, Tel: 0732 770101-0, Fax: 0732 770101-40, email: office@husqvarna.co.at Internet: www.husqvarna.at
POLSKA	Electrolux Poland Sp. z.o.o. Husqvarna, 01-612 Warszawa Myslowicka 10/2 Tel:- (22) 8332949
SLOVENIJA	Husqvarna-Ges.m.b.H. Nfg. KG, Industriezeile 36, 4010 LINZ, Tel: 0732 770101-0, Fax: 0732 770101-40, email: office@husqvarna.co.at Internet: www.husqvarna.at
SLOVENSKA	Electrolux Slovakia s.r.o., Borova Sihot 211, 033 01 Lipt. Hradok Tel: 044 522 14 19, Fax: 044 522 14 18, www.flymo-partner.sk
SCHWEIZ/SUISSE/SUIZZERA	Flymo Schweiz/Suisse/Suizzera Tel 062 889 93 50 / 889 94 25, Fax 062 889 93 60 / 889 94 35
SVERIGE	Electrolux Outdoor Products, Sverige Tel: 036 – 14 67 00, Fax: 036 – 14 60 70
UNITED KINGDOM	Electrolux Outdoor Products United Kingdom Tel: 01325 300303, Fax: 01325 310339

Electrolux Outdoor Products
Aycliffe Industrial Park
NEWTON AYCLIFFE
Co.Durham DL5 6UP
ENGLAND

Telephone - (00) 44 1325 300303 Fax - (00) 44 1325 310339

UK Telephone - 01325 300303 Fax - 01325 310339

Our policy of continuous improvement means that the specification of products may be altered from time to time without prior notice. Electrolux Outdoor Products manufacture products for a number of well known brands under various registered patents, designs and trademarks in several countries.

© Electrolux Outdoor Products Ltd. Registered Office, Electrolux Works, Oakley Road, Luton LU4 9QQ
Registered number 974979 England



The Electrolux Group. The world's No.1 choice.

The Electrolux Group is the world's largest producer of powered appliances for kitchen, cleaning and outdoor use. More than 55 million Electrolux Group products (such as refrigerators, cookers, washing machines, vacuum cleaners, chain saws and lawn mowers) are sold each year to a value of approx. USD 14 billion in more than 150 countries around the world.

