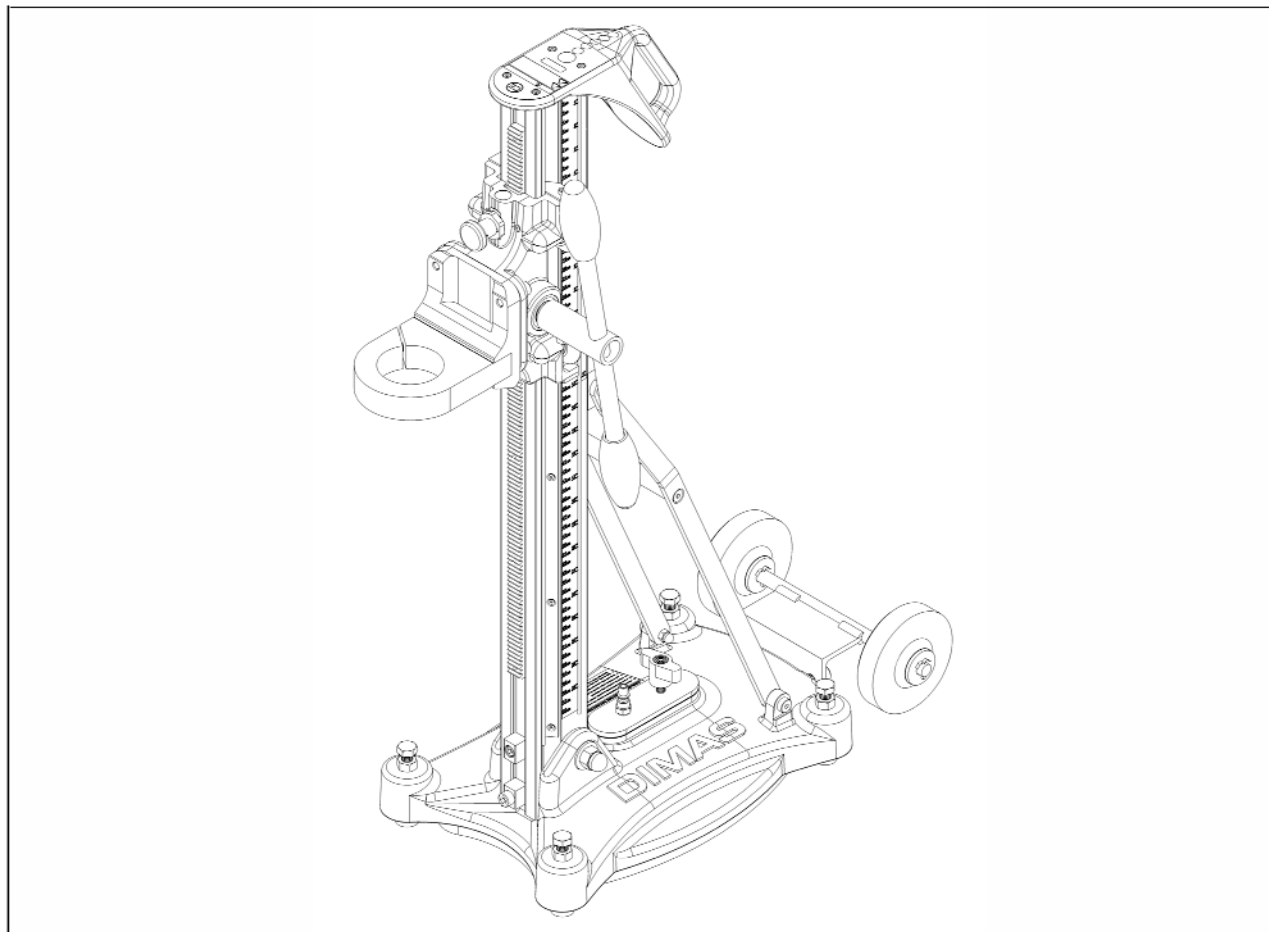


# **DIMAS**

## **DS160C**



Manuel d'utilisation et d'entretien  
Foreuse de chantier

Manuale di Istruzioni  
Trapanatrice da cantiere

Manual de Instrucciones  
Taladradora de obra

Operating Instructions  
Drilling Machine

Betriebs-und Wartungsanleitung  
Baustellen-Bohrmaschine

Gebruiksaanwijzing  
Verplaatsbare Boormachine

Manual de Instrucoes  
Perfuradora de obra

Bruksanvisning och Underhallsmanual  
Borrmaskin

DECLARATION DE CONFORMITE AUX DIRECTIVES EUROPEENNES  
DICHIAZIONE DI CONFORMITA' ALLE DIRETTIVE EUROPEE  
DECLARACION DE CONFORMIDAD CON LAS DIRECTIVAS EUROPEAS  
DECLARATION OF CONFORMITY WITH EUROPEAN DIRECTIVES  
EG-RICHTLINIEN - KONFORMITATSERKLARUNG  
VERKLARING VAN CONFORMITEIT MET DE EUROPESE RICHTLIJNEN  
DECLARACAO DE CONFORMIDADE COM AS DIRECTIVAS EUROPEIAS  
INTYG OM OVERENSSTAMMELSE MED EUROPEISKA DIREKTIV

LE FABRICANT	declare que la machine designee ci-dessous
IL FABBRICANTE	dichiara che la macchina designata qui appresso
EL FABRICANTE	declara que la maquina descrita a continuacion
MANUFACTURER	herewith declares that the machine designed hereunder
DER HERSTELLER	erklart hiermit, daB die nachstehend bezeichnete maschine
DE FABRIKANT	verklaart bij deze dat de hieronder aangegeven machine
O FABRICANTE	declara que a maquina abaixo designada
TILLVERKAREN	intygar att nedan beskrivna maskin

# DS160C

conforms to the modified "MACHINES" Directive (82/392/CEE),  
the "LOW VOLTAGE" Directive (73/23/CEE) the "EMC" Directive (89/336/CEE) in  
accordance with European standards EN 50081/1 and EN 55022  
and the "NOISE" Directive (2000/14/CEE) in accordance with European  
standards EN ISO 3744

## **WARNING**

Some dust created by power sanding, sawing, grinding, drilling and other construction activities contains chemicals known to cause cancer, birth defects or other reproductive harm. Some examples of these chemicals are:

- Lead from lead-base paints,
- Crystalline silica from bricks and cement and other masonry products and
- Arsenic and Chromium from chemically treated lumber.

Your risk from these exposure varies, depending on how often you do this type of work. To reduce your exposure to these chemicals: work in a well ventilated area and work with approved safety equipment, such as those dust masks that are specially designed to filter out microscopic particles.

·REFER TO MANUAL·

## **PREFACE TO THE MANUAL**

These operating instructions apply exclusively to drill stand, type DS 160 C. Please also read the operating instructions that accompany your drill motor to verify their compatibility and not to exceed the limitations of the DS 160 C drill stand.

### **Usage to the Intended Purpose**

The drill stand is designed exclusively for core drilling in concrete, asphalt, brickwork or similar building materials. Details of the maximum permissible drill bit diameter can be found under "Technical Specifications". Any use above and beyond the intended purpose endangers both user and machine and is not permitted.

Before commencing drilling, always ensure that;

- there is no danger of drilling through electric cables, gas, oil or other pipes,
- the drilled holes do not undermine the stability of the structure,
- you do not drill into or through any steel girders,
- when drilling through walls, you cannot cause any damage at the drill exit point.

Strict care must be taken when drilling in areas where people or general public are present. Local codes dictate proper protocol and must be observed.

### **Improper Usage**

The drill stand must not be used for any kind of stirring, e.g. paint or similar; drilling holes in soil, e.g. to drill holes for posts.

The drill stand must be mounted via anchor bolt or vacuum, do not attempt to drill hand held or standing on base plate.

This drill stand incorporates the expertise of decades of experience in the field of concrete drilling.

Before leaving our factory every machine passes an inspection program in which everything is checked completely.

Following the instructions will ensure that your machine gives long service, in normal operating conditions.

The user advice and spare parts mentioned in this document are given as an indication and do not constitute an undertaking. No warranty will be granted in the event of errors or omissions or for damage occurring during delivery or caused by the design or use of this machine. We are very concerned about the quality of our products and we serve the right to make any technical modifications to improve them without warning.

This document will assist the user particularly in:

- Information about the machine
- Information about its possible uses

- Prevent accidents due to unsuitable use, by an untrained person, during maintenance, repairs, overhauls, handling or transport
- Improve the reliability and durability of the machine
- Ensuring correct use, regular maintenance and rapid repair in order to reduce stoppage times and repair cost.

**The manual should always be available at the place of work.  
It should be read and used by any person installing or using the machine.  
The obligatory technical regulations in force in the county where the machine is used  
must also be adhered to for maximum safety.**

## **GENERAL SAFETY INSTRUCTIONS**

The use of symbols on the drill stands and in the manual identify advice concerning your safety.



This symbol indicates that the machine is in conformance with the applicable European directive.



WARNING



MANDATORY



PROHIBITED



INFORMATION

These signs give advice concerning your safety.

## **SPECIAL INSTRUCTIONS**

- The drill stand is designed to provide safe and reliable service in operating conditions corresponding with the instructions, but it can present dangers for the user and risks of damage, consequently regular on site inspection is necessary to ensure:
- Perfect technical condition (use for the purpose for which it is intended and taking into account any risks and correction of any malfunction detrimental to safety).

- Use of a diamond core bit for water lubricated cutting of concrete, asphalt, marble, stone, granite, brick and facings (porcelain, glazed tiles, ceramics, etc). The use of any other core bit is forbidden (abrasive, saw, etc).
- Competent staff (qualifications, age, training) who have read and understood the manual in detail before starting work: any electrical, mechanical or other problem should be investigated by a qualified maintenance engineer (electrician, maintenance manager, approved dealer, etc).
- That the warnings and instructions marked on the machine are followed (adequate personal protection, correct use, general safety instructions, etc).
- That no modification, transformation or addition is detrimental to safety and that it is carried out without prior authorization from the manufacturer.

## **MOTORS:**

DIMAS: DM 225D with motor support collar  
DM 225 with motor support collar

WEKA: DK 12 with motor support collar  
DK 13 with motor support collar  
DK 14 with motor support collar

CARDI: Talpa T0 with motor support collar  
Talpa T1 with motor support collar

Motor characteristics: see the manufacturer's manual supplied with the motor.

**Please contact us regarding any other frame/motor combination.**

## **1. Delivery**

On delivery, carry out an immediate visual check for signs of physical damage and that no components are missing.

The contents of the package should include:

Drill Stand - Base, Column, Carriage, Crank, Wheel Assembly, Vacuum Cap Plate, Vacuum Gasket and Back Support, Operating Instructions and Ordered Accessories.

## **2. Technical Specifications**

Base length            15.50 in / 394 mm

Base width            9.50 in / 241 mm

Height                32 in / 813 mm

Weight                30 lbs / 14 kg

Motor rating up to max. 3.5 hp / 2.4 kW

Drill bit diameter up to max. 6 in / 152 mm

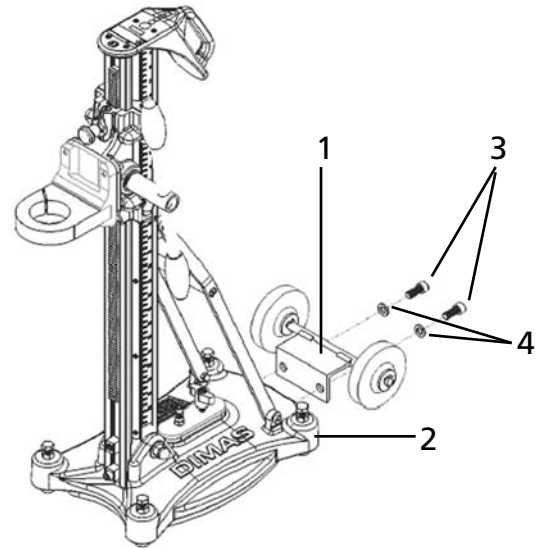
Impact anchor; minimum tensile force 5.7 kN with M12 Fastener

### 3. Assembly

Align holes on the wheel assembly (1) with the tapped holes on rear of the base plate (2). Insert bolts (3) through washers (4), then insert bolts through wheel assembly and screw onto base plate.

### 4. Description and Features of the Drill Stand

Tapered roller carriage.  
Sealed ball bearing design.  
Plumb and leveling guides.  
Left and right crank handle drive with incorporated adjustment tool. This adjustment tool adjusts column angle, leveling screws and column angle lock.  
Angle column capability.  
Anchor base with incorporated vacuum capability.  
Detachable wheel assembly.  
Replaceable wear items.  
Incorporated carrying handle.  
Column angle and drill depth indicator decal.  
Rigid drill collar motor mount.  
Brass inserts for leveling bolts.  
Precision rack and pinion drive.



### 5. Handling - Transport

Remove the diamond core bit from the drill motor.  
Remove the motor from the carriage assembly.  
Lower the carriage to the base and lock the brake.  
The transport wheels enable the drill stand to be moved easily.  
Tilt the drill stand backwards and hold the handle at the top of the column.  
To avoid damaging the motor shaft, the motor must not be carried or moved by the shaft, whether or not it is fitted with a drill or extension.  
If the base is to be used as a vacuum mount, do not move the drill stand laterally or damage and tearing away the vacuum seal may result. To avoid deforming the seal, remove the seal when vacuum is not in use.

### 6. Inspection Before Starting Up



Please read the instructions for use prior to operating the machine for the first time.



The working area must be completely cleared, well lit and all safety hazards removed (no water or dangerous objects in the vicinity).



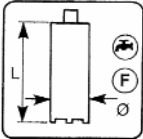
The use of ear protection is mandatory.



The operator must wear protective clothing appropriate to the work he is doing. We recommend that this includes both eye and ear protection.



Any person not involved in the work should leave the working area.



Use core bits which are suitable for the work to be done.

## 7. Fitting and Removing the Motor



Unplug the motor from the outlet.



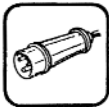
Always remove the core bit before fitting or removing the motor.

Engage the carriage brake. The motor is mounted on the frame by means of a support collar.

## 8. Electrical Connection



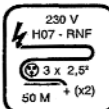
ELECTRICAL SAFETY:



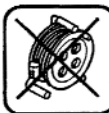
Operate this machine only on a supply equipped with a 30 mA grounded current-limiting circuit breaker.



The Ground Fault Circuit Interrupter (GFCI) must be used correctly, including testing it regularly. For tools supplied with an integral GFCI in the cable or in the main plug, if the cable or plug has been damaged, repairs must be carried out by the manufacturer, one of his agents or by a qualified repair workshop to avoid any risks resulting from errors.



Use single phase 2 pole plus grounded sockets for the appropriate voltage.



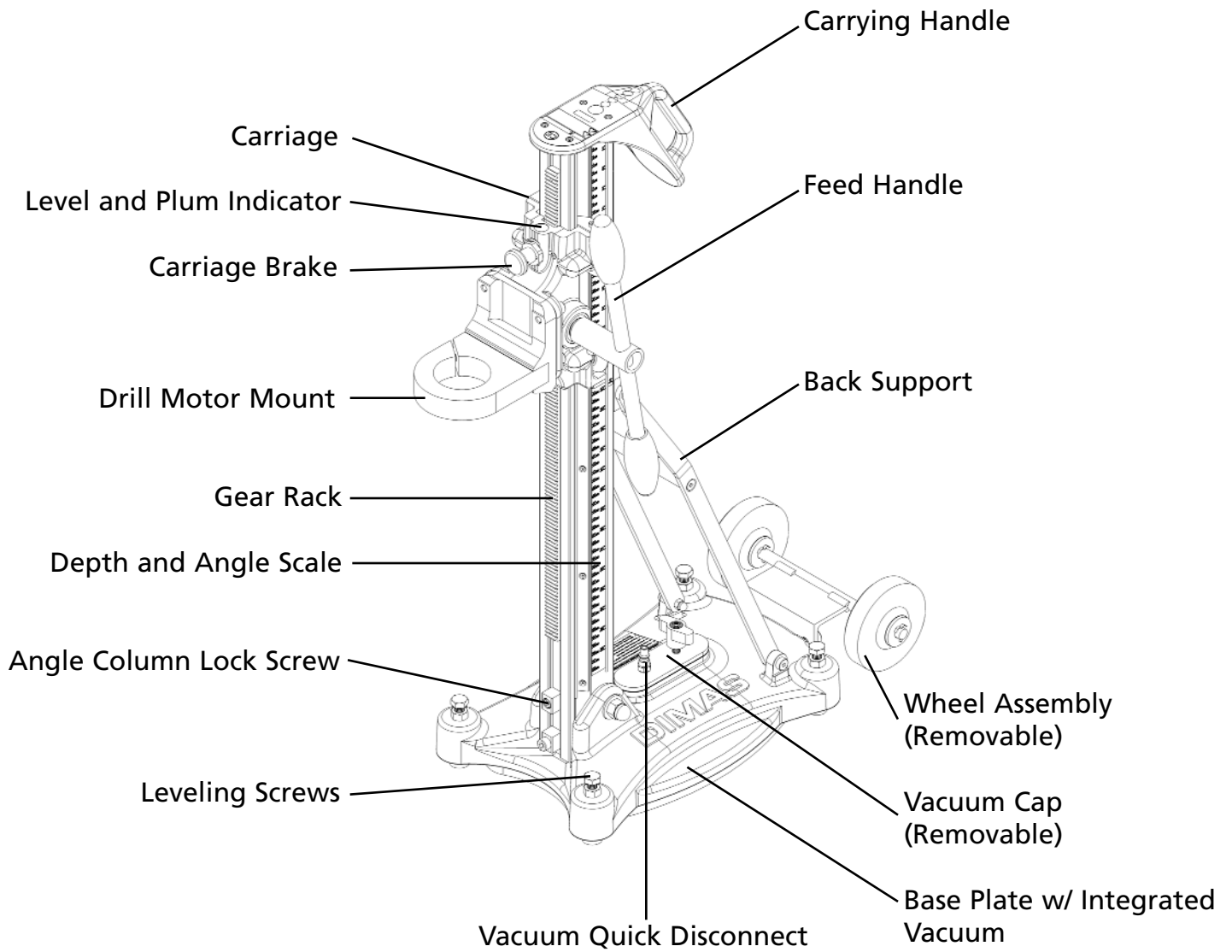
Make sure that the main voltage is the same as that on the manufacturer's plate. Extension cables, type HO7 RNF, should have an adequate cross section for the power: 3 x 2.5 mm<sup>2</sup> up to 50 m or double for longer cables.

## 9. Mounting Methods

There are three options available for fastening the base plate of your drill stand. Fastening with threaded rod and heavy-duty anchor, expanding anchor or vacuum.



## 10. Designation of the Components



## 11. Operation Positions

The drill stand can be used for drilling ceilings, floors and walls. Individual safety instructions for each area of applications as described in the following chapters must be observed and complied with.

The three main drilling directions (area of application) are:

Floor position: The feed direction is vertical and downward.

Wall position: The feed direction is horizontal.

Overhead position: The feed direction is vertical and upwards.

### Floor Positions

A falling core can cause serious injury. The danger zone underneath the drilling area must be sealed off and the core must be supported.

### Wall Position

Before drilling into a wall, the operator must ensure that there are no obstructions at the exit point and that there is no risk of injury.

### Overhead Drilling

It is not permitted to secure the drill by means of the vacuum plate when carrying out overhead drilling. Follow local codes for anchoring overhead. Overhead drilling may only be carried out if a water collector and vacuum collection system is used. During overhead drilling, only use impact anchors suitable for zones subject to tensile force.

### Angle Drilling

When angle drilling, always work at low drilling pressure until the drill bit is completely engaged.

## 12. Fastening the Drill Stand (Base Plate)

There are three options available for fastening the base plate;  
Fastening with threaded rod and heavy-duty anchor or impact anchor;  
Fastening by means of a threaded rod and locking nut with washer;  
Fastening by means of a vacuum plate and vacuum pump.

### **Fastening by means of a Threaded Rod and Heavy-Duty Anchor or Impact Anchor**

Fastening the drill stand base plate should be carried out without the drill motor installed.

To ensure that the device is securely fastened, only use heavy-duty anchors or impact anchors approved by the building inspection authorities which may vary by country, province, county or city. When working overhead, only use anchors suitable for zones subject to tensile force. For details of minimum tensile force, see, "Technical Specifications".

Drill a hole for the anchor at a distance of 292 mm ( X ) from the hole center.

Drive the impact anchor and secure.

Screw in the all thread rod (2).

Slip on the base plate (4) over the thread rod.

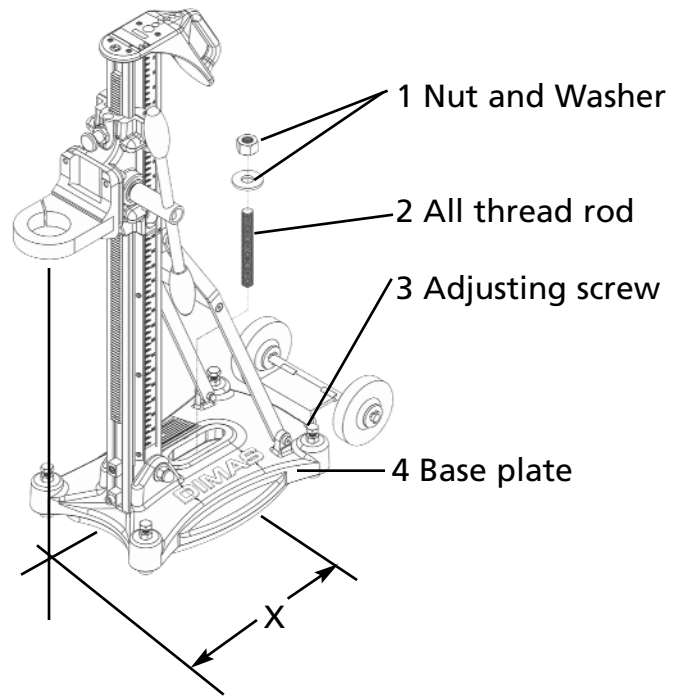
Fit the washer and tighten nut (1) slightly.

Align the base plate (4) by means of the adjusting screw (3).

Tighten nut (1).

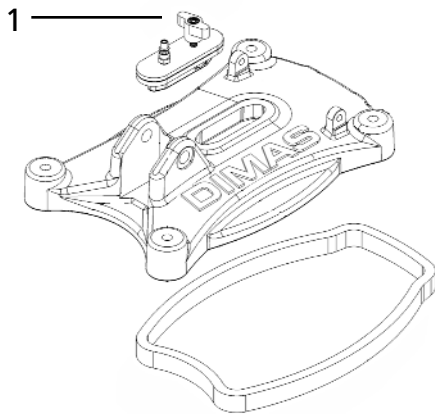
### Fastening by means of a Thread Rod, Washer and Lock Nut

If, for any reason, the anchoring surface does not provide sufficient hold for the anchor, a thread rod must be used which passes through the brickwork, the wall or the ceiling and is secured from the other side by means of a washer and locknut.

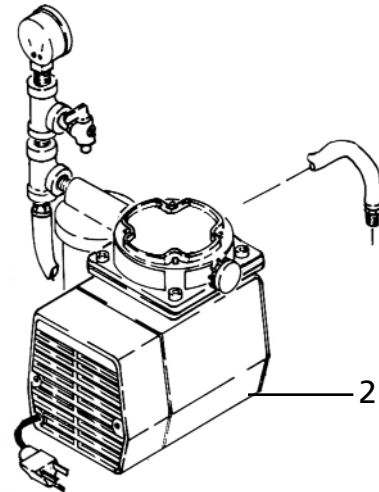


### Fastening by means of a Vacuum Plate

It is not permitted to fasten the drill stand by means of a vacuum when carrying out overhead drilling.



Vacuum Cap, Base Plate and Gasket



Vacuum Pump  
(Actual pump may vary between Regions)

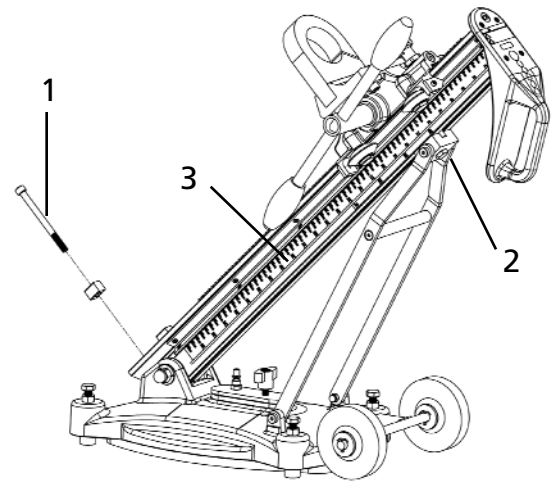
Connect the vacuum hose to the vacuum cap (1) and switch on the vacuum pump (2). Set the vacuum base at the measured position and prime. A vacuum of at least 25 in.Hg must be reached or until the plate is properly secure. Because this type of fastening depends on the surface, it can only be implemented on smooth, level and non-porous surfaces. When fastening the drill stand, it must be ensured that the floor covering is firmly attached to the undersurface and cannot work its way loose.

### 13. Setting the Angle of the Column

Remove the column lock bolt (1)

Loosen bolt on back support bracket (2).

The column can now be pulled into the desired position, 0 to 45 degrees. Side decal provides approximate measurements. If greater precision is required use alternate measuring techniques. Maximum column range is 45 degrees. Indicator strip on the column shows various degrees (3).



### 14. Mounting the Drill Carriage

**⚠ Risk of injury!**

Always disconnect the power before mounting the drill carriage to the drill motor. Fingers may be crushed between the column and drill carriage. For this reason, when mounting the drill carriage, keep one hand on the handle and the other hand on the drill motor.

Align the column.

Mount the drill carriage.

### 15. Operating the Feed

**⚠** Drilling into a live external power supply line can cause a fatal injury as the drill may conduct current and voltage. A Ground Fault Circuit Interrupter (GFCI) offers no protection in such situations, therefore care must be taken prior to drilling to ensure that electrocution is avoided.

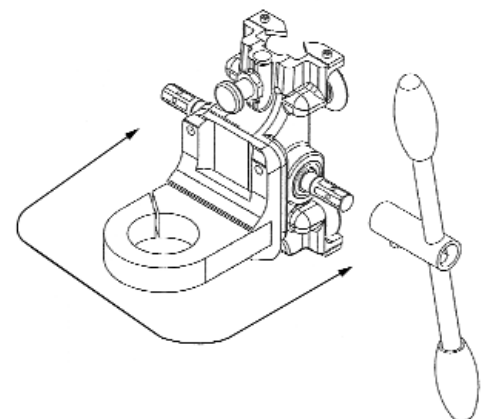
**⚠** The use of levers or extensions to increase drilling pressure is prohibited. In order to prevent the drill bit being damaged, it is important to ensure that the diamond core bit is supplied with sufficient cooling water. Operate the feed handle manually.

The feed handle is designed to facilitate handling of the drill and its flexible left/right hand fitting enables convenient adaptation to individual drilling situations. The feed handle can be switched to the other side as follows:

Pull off the feed handle in an axial direction.

Slip the feed handle onto the axle shaft on the opposite side.

**⚠** A loose feed handle on the shaft may cause you to lose control of the drill. For this reason, always ensure that the feed handle is securely fitted on the shaft.



## 16. Maintenance

For details of maintenance work required for the drill motor, please refer to the enclosed motor manufacturer's documentation.

### Routine Checks

Check electrical connections routinely before each use.

### The following routine checks should be carried out monthly:


Check that all screws and fastening elements are properly secure.

Check the feed handle for easy movement.

Check the drive for easy movement and noise.

Check the column for wear and damage.

Check for movement or play in the drill carriage.

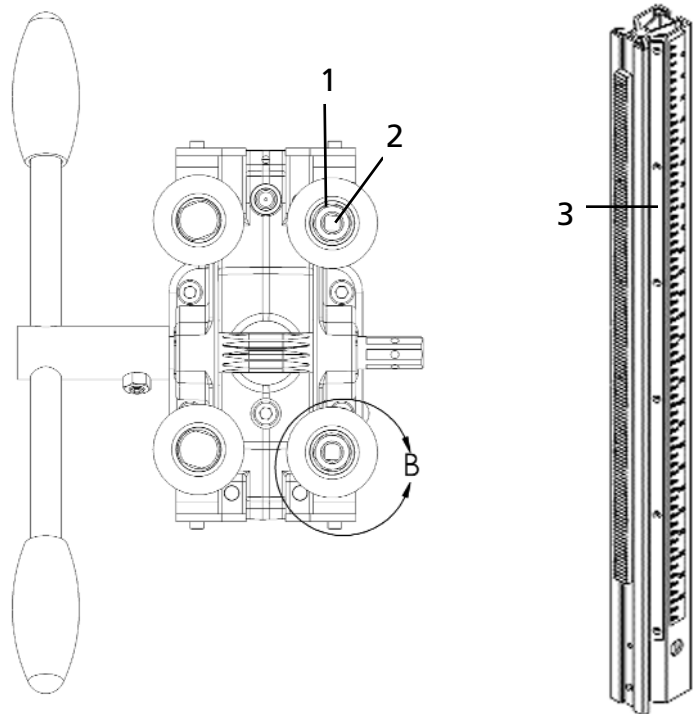
 Always disconnect the electrical plug before cleaning your drill stand. The drill is virtually maintenance-free and only requires cleaning. Never clean the drill motor with water or excessively wet clothes.

### Adjusting Carriage

#### Rollers

Loosen the locknut (1) using a 19mm open end wrench, turn the eccentric shaft (2) using an 8mm open end wrench, so there is only slight pressure of the roller in contact with the column wear plates (3). Holding the eccentric shaft in place, tighten the locknut. Follow this procedure for both adjusting rollers.

If you are unable to achieve proper adjustment, the rollers and/or column wear plates may need to be replaced.

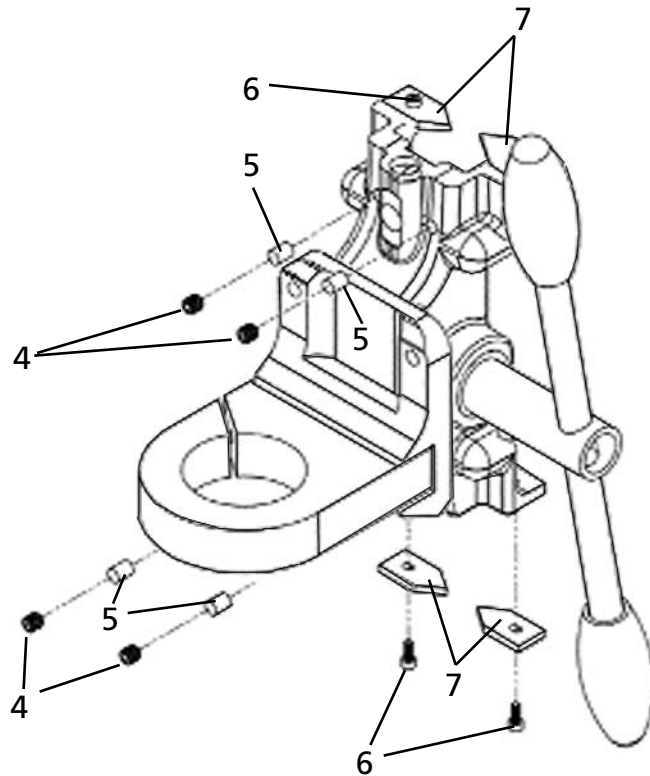


## Wear Cylinders

Using a 4mm allen wrench, turn each of the 4 setscrews (4) clockwise until the nylatron wear cylinders (5) are in slight contact with the column.

## Side Cleaning Plates

Loosen each of the 4 cleaning plate capscrews (6) using a 3mm allen wrench and slide the cleaning plate (7) so it is in contact with the column wear plates. Tighten the capscrews.



## 17. Spare Parts

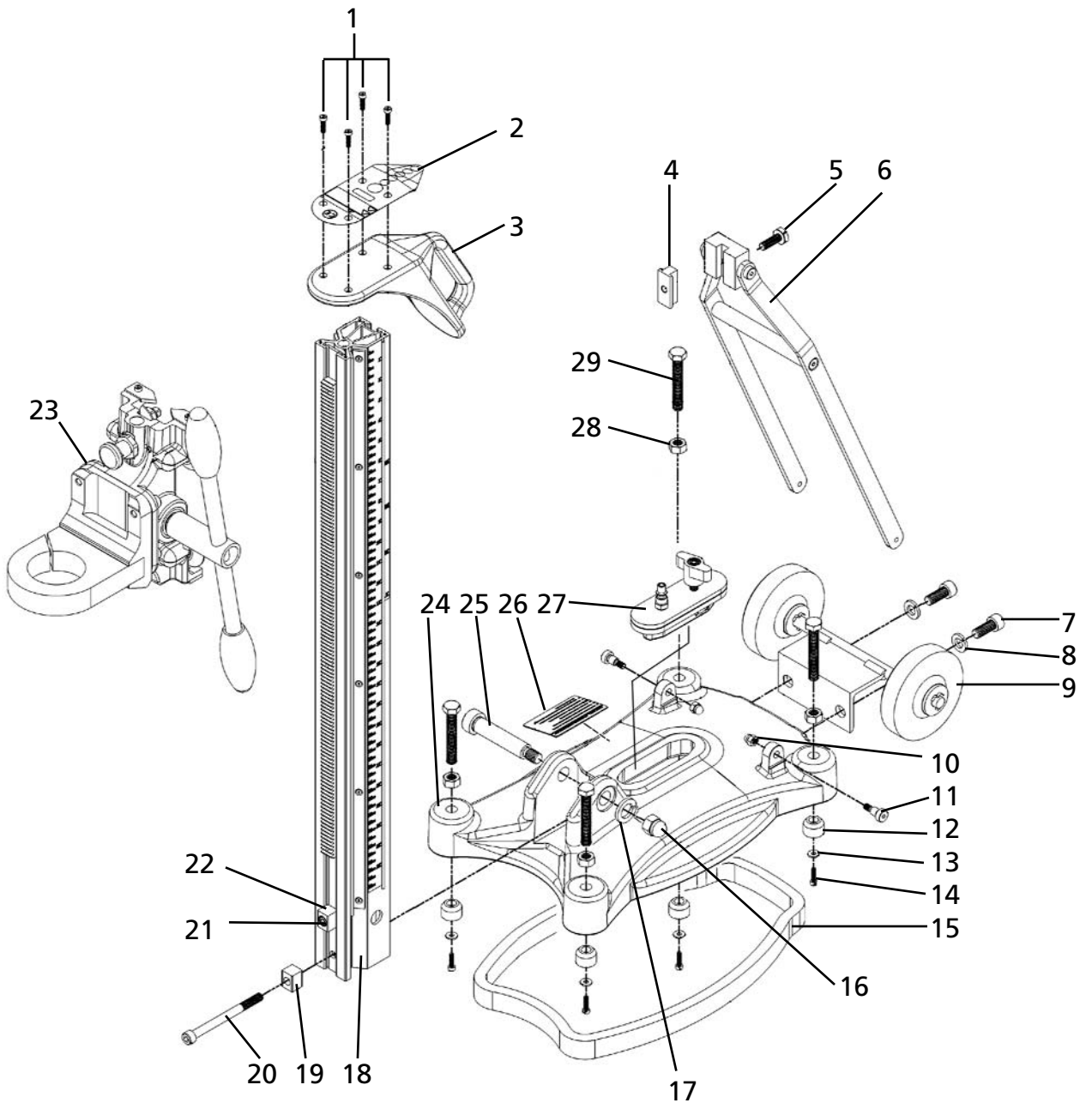
### Stocking Spare Parts

In order to gain maximum usage of your drill stand, it is necessary to ensure that an on-site stock of the most important spare parts and those parts subject to wear are always ready and on-hand.

The fitting and/or use of spare parts that we have not supplied or authorized may change the technical configuration of the drill stand; thus impairing active and/or passive operational safety. The manufacturer accepts no liability for damage due to the use of non-original spare parts.

### Ordering Spare Parts

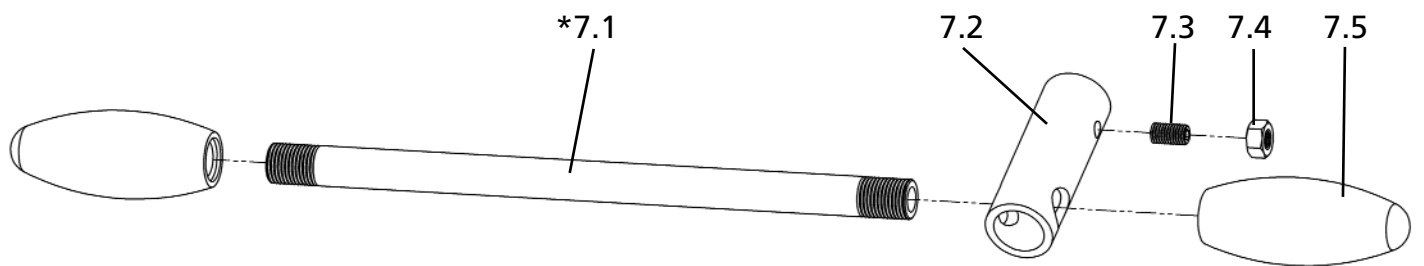
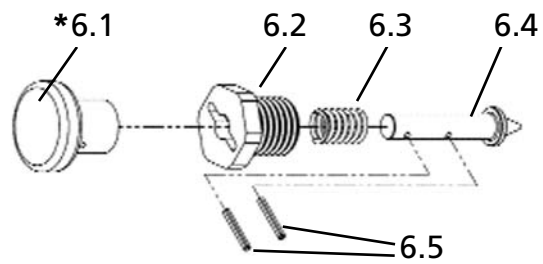
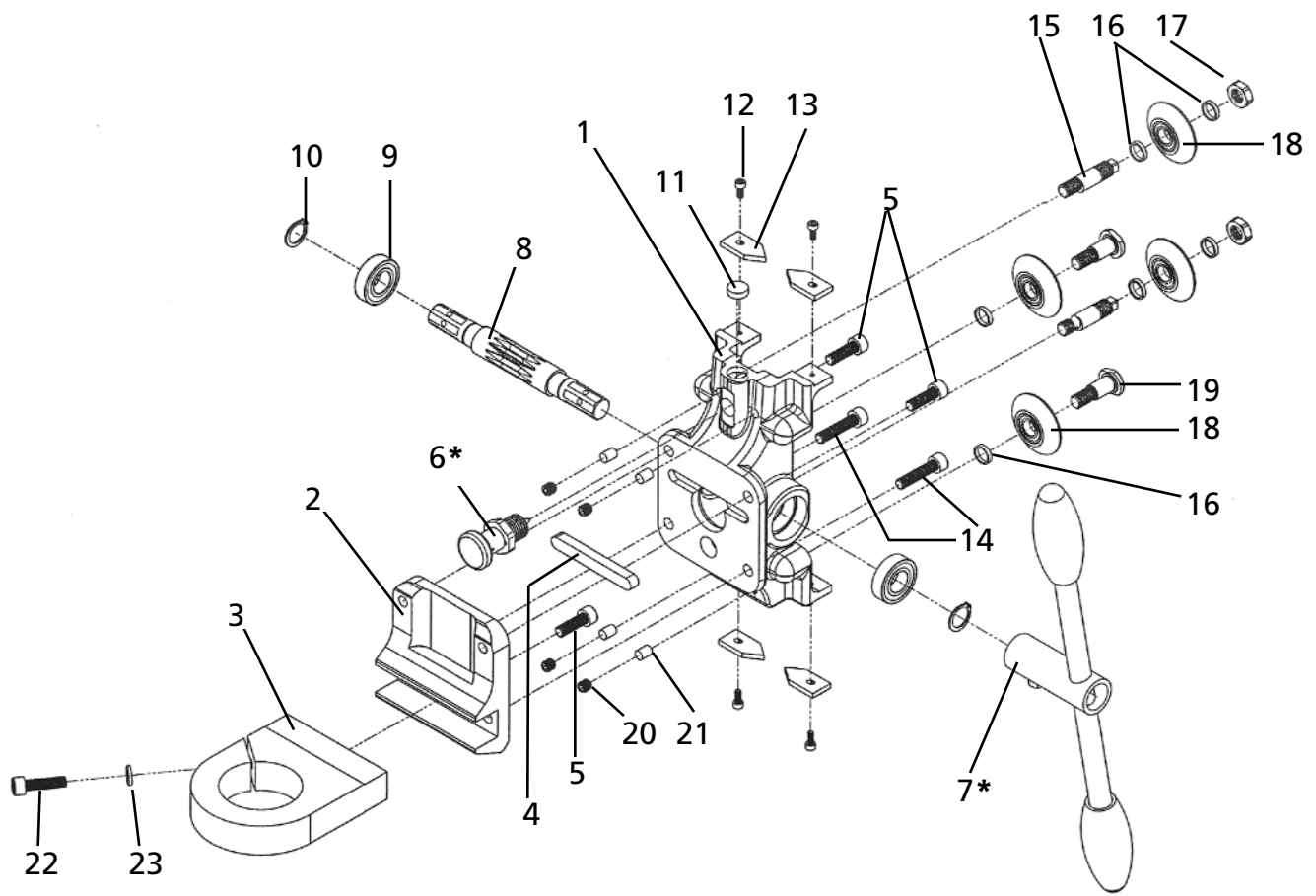
The following spare parts lists with diagrams are designed to assist you when ordering spare parts. When ordering spare parts, have the model number and part number ready.



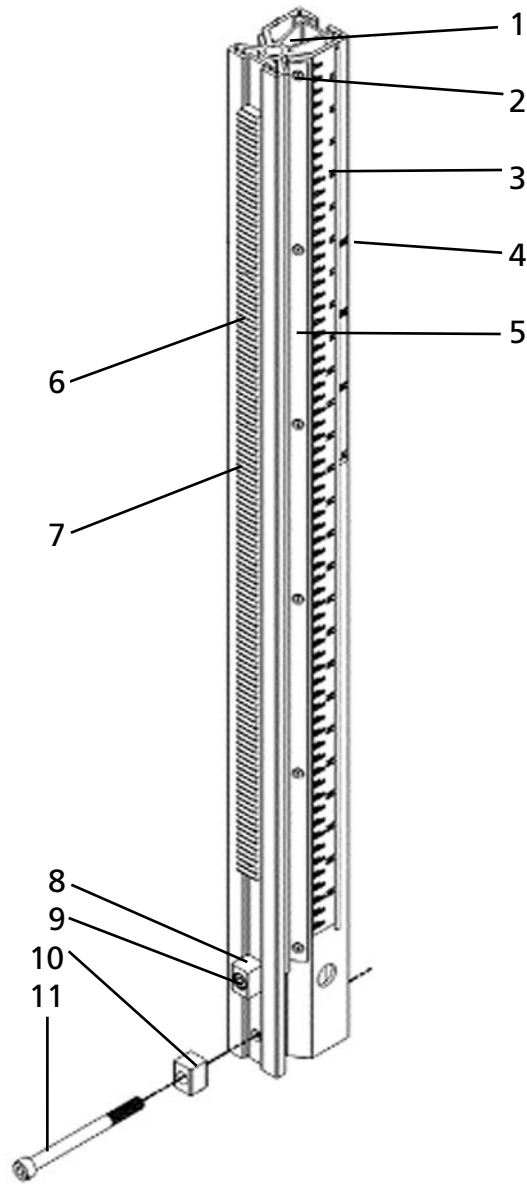
## Drill Stand Parts

Item	Description	Part Number	Qty	Comments
1	M4x16 Socket Head Capscrew	541404147	4	
2	Handle Top Decal	541404097	1	
3	Column Handle	541404092	1	
4	T-Washer	541404078	1	
5	Angle Support Bolt	541404079	1	
6	Angle Support Assembly	541404109	1	Complete
7	M10x25 Socket Head Capscrew	541404149	2	
8	M12 Lockwasher	541404143	2	
9	Wheel Assembly	541404113	1	Complete
10	M6 Acorn Nut	541404141	2	
11	M8x10 Socket Head Shoulder Screw	541404139	2	
12	Leveling Screw Cap	541404084	4	
13	M4 Washer	541404146	4	
14	M4x16 Socket Head Capscrew	541404147	4	
15	Gasket	541404083	1	
16	M12 Acorn Nut	541404142	1	
17	M12 Lockwasher	541404143	1	
18	Drill Column Assembly	541404107	1	Complete
19	Column Spacer	541404081	1	
20	M8x100 Socket Head Capscrew	541404151	1	
21	M6x25 Socket Head Capscrew	541404136	1	
22	Carriage Stop	541404053	1	
23	Dimas Drill Carriage Assembly	541404105	1	Complete
24	Dimas Machined Drill Base Casting	541404058	1	Complete
25	M16x70 Socket Head Shoulder Screw	541404144	1	
26	Drill Operating Instruction Decal	541404098	1	
27	Vacuum Cap Assembly	541404110	1	Complete
28	M10x1.5 Nut	541404145	1	
29	Leveling Screw	541404080	1	

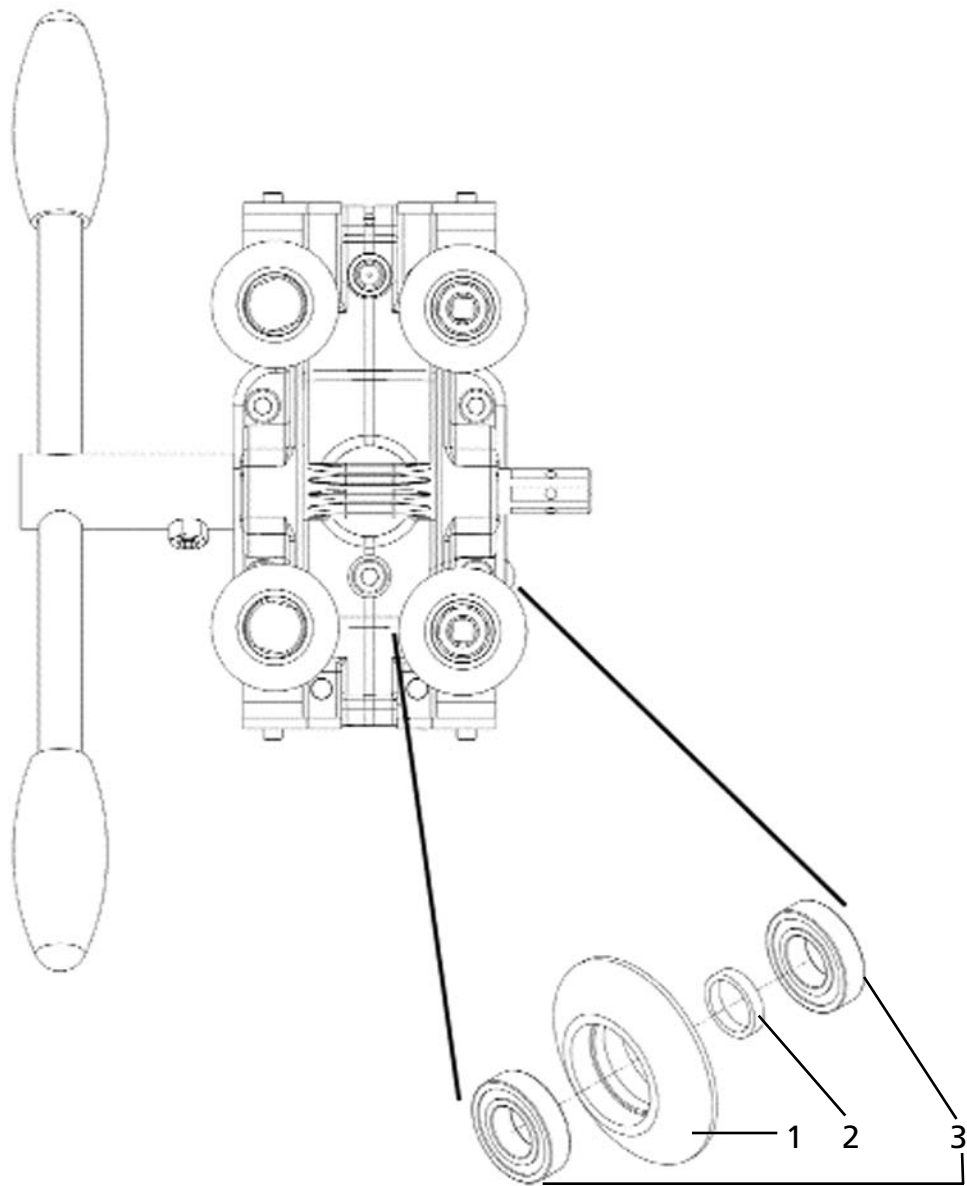




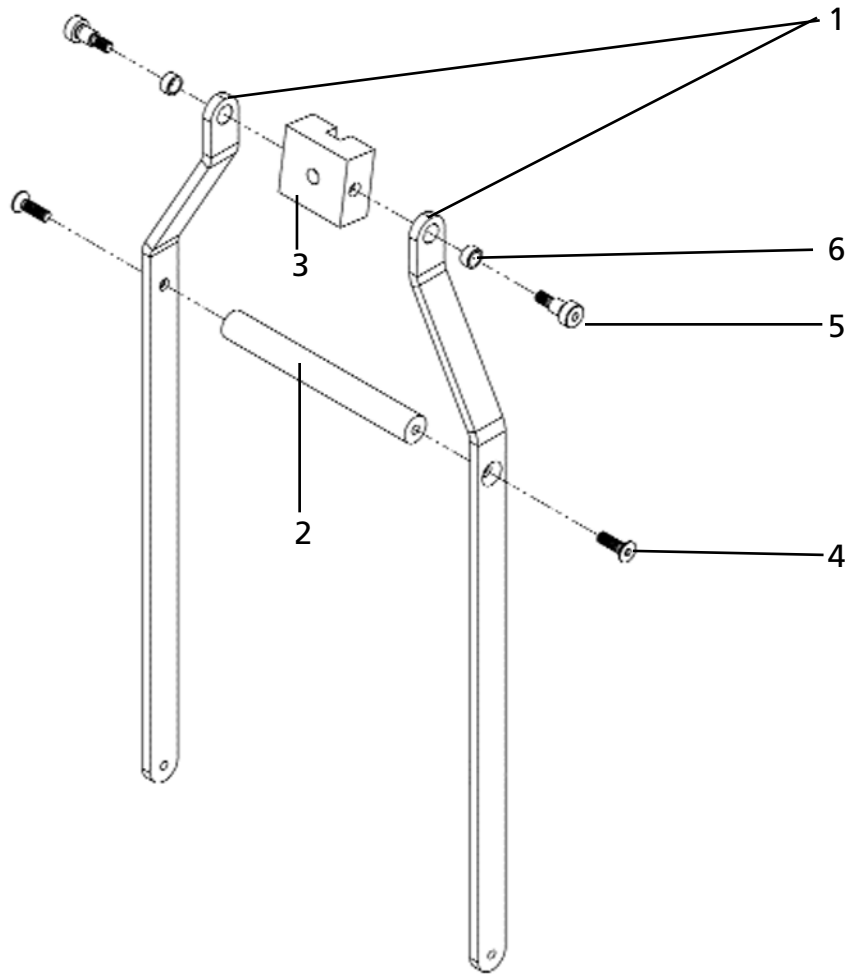
<b>Item</b>	<b>Description</b>	<b>Part Number</b>	<b>Qty</b>	<b>Comments</b>
1	Dimas Machined Drill Carriage	541404027	1	
2	Adaptor Plate	541404029	1	
3	Drill Collar	541404030	1	
4	Key	541404031	1	
5	M8x25 Socket Head Capscrew	541404126	4	
6	Locking Mechanism	541404114	1	Complete
6.1	Knob	541404087	1	
6.2	Pin Retainer	541404085	1	
6.3	Compression Spring	541404089	1	
6.4	Pin	541404086	1	
6.5	Spring Pin 2mmx16mm	541404088	1	
7	Travel Lever Assembly	541404101	1	Complete
7.1	Travel Lever	541404043	1	
7.2	Travel Lever Drive Hub	541404044	1	
7.3	Stainless Steel Ball Plunger	541404133	1	
7.4	Hex Nut M8x1.25	541404132	1	
7.5	Travel Lever Knob	541404045	2	
8	Carriage Drive Shaft	541404040	1	
9	Bearing 17mmIDx35mmODx10mm Width	541404033	2	
10	External Retaining Ring	541404042	2	
11	Level Bubble	541404049	1	
12	M4x10 Socket Head Capscrew	541404130	4	
13	Side Cleaning Plate	541404035	4	
14	M8x35 Socket Head Capscrew	541404152	2	
15	Eccentric Shaft	541404039	2	
16	Spacer	541404036	6	
17	M12x1.75 Nut	541404131	2	
18	Roller Assembly	541404102	4	
19	Straight Shaft	541404038	2	
20	M8x8 Socket Set Screw-Cup Point	541404129	4	
21	Wear Cylinder	541404032	4	
22	M8x30 Socket Head Capscrew	541404127	1	
23	M8 Lockwasher	541404128	1	



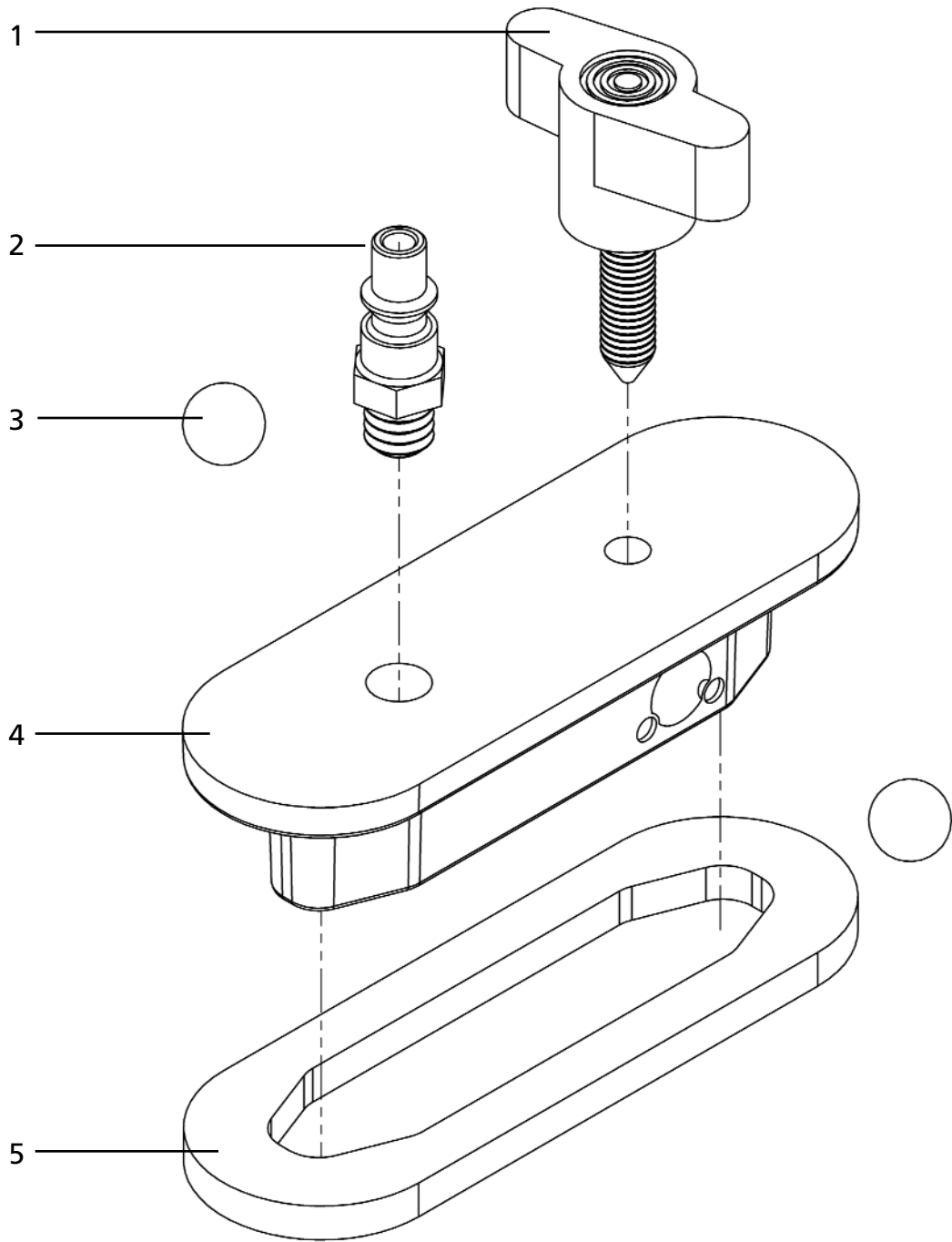
Item	Description	Part Number	Qty	Comments
1	Column	541404050	1	
2	M3x8 Socket Head, Flat Head Screw	541404137	24	
3	Depth Measurement Decal	541404054	2	
4	Angle Measurement Decal	541404055	2	
5	Wear Plate	541404052	4	
6	Rack	541404051	1	
7	M4x8 Socket Head Capscrew	541404135	6	
8	Carriage Stop	541404053	1	
9	M6x25 Socket Head Capscrew	541404136	1	
10	Column Spacer	541404081	1	
11	M8x100 Socket Head Capscrew	541404151	1	



Item	Description	Part Number	Qty	Comments
1	Roller	541404037	1	
2	Spacer	541404036	1	
3	Bearing 12mmI.D.x24mmO.D.x6mm	541404034	2	



Item	Description	Part Number	Qty	Comments
1	Angle Support Member	541404062	2	
2	Angle Support Spacer	541404064	1	
3	T-Washer Retainer	541404065	1	
4	M6x20 Flat Socket Head Screw	541404138	2	
5	M8 Socket Head Shoulder Screw	541404139	2	
6	Angle Support Bushing	541404063	2	



Item	Description	Part Number	Qty	Comments
1	Knob w/Stud	541404073	1	
2	1/8 NPT Male Fitting	541404071	1	
3	Ball Detent	541404072	2	
4	Vacuum Cap	541404068	1	
5	Vacuum Cap Gasket	541404070	1	

## **ELECTROLUX CONSTRUCTION PRODUCTS**

### **Product Limited Warranty**

Equipment manufactured by Electrolux Construction Products (a division of Electrolux Professional Outdoor Products, Inc.) is warranted to be free from defects in material and workmanship if operated properly, without abuse or negligence in normal service applications for a period of **two (2) years from date of purchase by the original consumer purchaser** with the following exception:

Target DR 150 Core Drills	Three (3) months	Felker FRS-30	One (1) year
Felker FTS-50	Three (3) months	Felker FRS-38	One (1) year
Felker FTS-70	Six (6) months	Felker FRS-51	One (1) year
Felker TM-75	One (1) year	Felker Track Master II	One (1) year
Felker FTS-150	One (1) year		

Keep all payment records (bill of sale/delivery slip). The date on these records establishes the warranty period. Should warranty service be required, you must show proof of purchase. If proof of purchase cannot be supplied, the warranty period will be determined from the date of manufacture of the product.

All warranty claims will be determined after inspection at a designated facility. Write or call Electrolux at 17400 W. 119th Street, Olathe, KS 66061, 800-365-5040, for instructions. The customer must prepay the freight and absorb any labor expense required to return or replace a product submitted to Electrolux for warranty consideration. Electrolux will pay return shipping expenses for repaired or approved replacement products. **Under no circumstances will Electrolux be responsible for incidental or consequential damages.**

The responsibility of Electrolux under this warranty is limited to the repair or replacement, at our option, of defective parts and assemblies at its plant in Olathe, KS and Torrance, CA, and does not cover engines, motors, pumps, transmissions and other trade accessories sold with, attached to, or operated with Electrolux products. Such components, parts and accessories are subject to the original manufacturer's warranty policy and procedures. Normal wear items, such as filters, V-belts and wheels are not covered under this warranty.

The Electrolux warranty does not apply to defects caused by abuse, modifications, low voltage, acts of God, unreasonable use, faulty repairs made by others or damage or loss caused by failure to provide reasonable maintenance. All warranties are void if the equipment or any of its components are altered or modified by the purchaser, or if the product is used in a manner or with a blade not recommended by the manufacturer.

The foregoing express warranties are in lieu of all other warranties. **ELECTROLUX EXPRESSLY DISCLAIMS ALL OTHER WARRANTIES, INCLUDING, WITHOUT LIMITATION, THE IMPLIED WARRANTIES OF MERCHANTABILITY AND FITNESS FOR A PARTICULAR PURPOSE.**

Some states do not allow exclusion of warranties or limitations of damages, so the limitations and exclusions contained in this warranty may not apply to you. This warranty gives you specific legal rights. You may have additional rights, which vary from state to state.

# **ELECTROLUX CONSTRUCTION PRODUCTS**

## **Product Limited Warranty**

### **WARRANTY CONDITIONS**

#### **1. PERIOD**

The warranty is acknowledged as of the date of purchase (date of the invoice of the distributor) and is valid for a period of 6 months.

#### **2. WARRANTY**

The warranty is limited to the free of charge replacement of parts recognised as defective by **ELECTROLUX CONSTRUCTION PRODUCTS** (excluding wear components and consumables) providing the repair is made within after-sales service of **ELECTROLUX CONSTRUCTION PRODUCTS** or a recognised **ELECTROLUX CONSTRUCTION PRODUCTS** repair centre. The manufacturer is not responsible for any direct or indirect material or immaterial, damages caused to persons or things by failure of the machine or the non operation of the machine.

#### **3. WARRANTY CONDITIONS**

In case of failure of the machine during the warranty period our after-sales services will inform you of the appropriate and most effective method of dealing with your claimant and advise you, if necessary, of your nearest approved service centre.

As an alternative, you may return, at your cost, the machine together with a written description of the problem and damages with a copy of the invoice directly to our after-sales department where upon a full investigation will be instigated without delay.

#### **4. EXCLUSIONS**

Warranty will not be applied for damages or failures caused by

- " Incorrect use, error in transportation, handling or maintenance
- " Use of non genuine parts or accessories
- " Repairs made by non approved service centres
- " Use of incorrect specifications of cutting tools

The goods are returned at the sole responsibility of the Buyer who must appeal against the transporter in the usual manner without delay.

Electrolux Construction Products Asia Pacific  
25-31 Kinkaid Ave  
North Plympton  
Adelaide  
South Australia 5037  
Australia

Ph: +61 (0) 8 8375 1000  
Fax: +61 (0) 8 8371 0990  
[www.dimas.com.au](http://www.dimas.com.au)