



# ***SPEEDZTR™ 38 /42 /44***

## **Safety Instructions & Operator's Manual**



***Model Year 2005***

## **IMPORTANT - READ CAREFULLY**

*The Dixon® ZTR® mower is both easy and fun to operate. However, any power mower must be operated properly to be safe. It is not a toy or a recreational vehicle. Before you start to use the mower, read this Operator's Manual carefully. It contains valuable information that is necessary for the safe operation of the machine. Observe all safety rules and become completely familiar with the controls.*

*The information contained in this manual applies to all Dixon® ZTR® SpeedZTR™ 38", 42" and 44" mowers.*

*See your authorized Dixon® dealer for warranty service, parts and repairs or to answer any questions you may have about your new Dixon® ZTR®.*

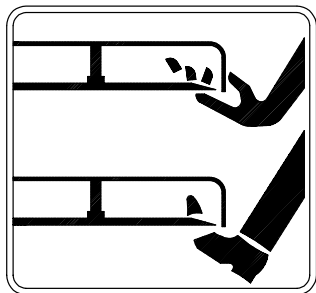
# TABLE OF CONTENTS

Page	
SAFETY & WARNING.....	4-15
WARRANTY.....	16
SPECIFICATIONS.....	17
SEAT ADJUSTMENT.....	18
CONTROLS.....	19-22
OPERATION INSTRUCTIONS.....	23-33
CARE & MAINTENANCE.....	34-36
STANDARD SERVICE PARTS LIST.....	47-48
TROUBLESHOOTING.....	49-50

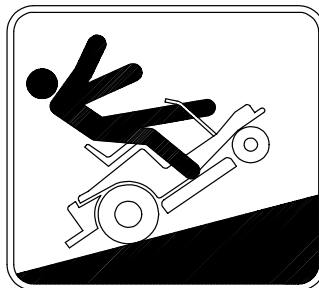
# SAFETY

**⚠ RIDING LAWN MOWERS,  
IF IMPROPERLY OPERATED  
CAN CAUSE SERIOUS INJURY OR DEATH**

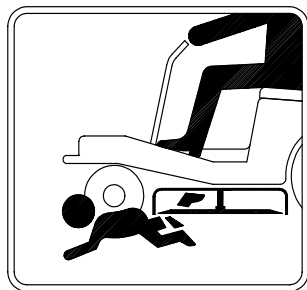
Pictured below are the most common causes of injury to the operator or bystander. Please read and understand this manual to prevent injuries.



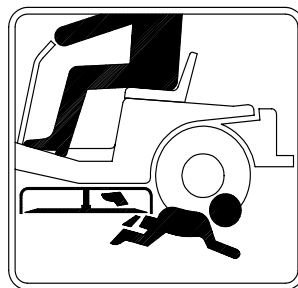
**Blade Contact**



**Tip Over**



**Run Over**



**Back Over**

# SAFETY



## Safety Alert Symbol

When you see this symbol, **BE ALERT** to the potential for injury.

Follow the recommended safety precautions and safe operating practices.



***DANGER***  
(highlighted in red)  
indicates an imminently hazardous situation which, if not avoided, will result in death or serious injury.



***WARNING***  
(highlighted in orange)  
indicates a potentially hazardous situation which, if not avoided, could result in death or serious injury.



***CAUTION***  
(highlighted in yellow)  
indicates a potentially hazardous situation which, if not avoided, may result in minor or moderate injury. It may also be used to alert against unsafe practices.

## WARNING

 ***Failure to observe the following safety instructions could result in serious injury or death.***

### GENERAL OPERATION:

Read, understand, and follow all instructions in this manual and on the mower before starting.

Only allow responsible adults, who are familiar with the instructions, to operate the mower.

Clear the area of objects such as rocks, toys, wire, etc., which could be picked up and thrown by the blade.

Be sure the area is clear of other people before mowing. Stop mower if anyone enters the area.

Be aware of the mower discharge direction and do not point it at anyone. Mower blades can throw rocks or other debris.

Do not operate the mower without either the entire grass catcher or the deflector in place. This will decrease the possibility of injury from objects being thrown by the mower blades.

**Never** carry passengers. They may fall off and become seriously injured or interfere with safe operation of the mower.

Mowing in reverse is not recommended because it is difficult to maintain a clear vision of the mowing path. However, should it become necessary to back up, remember to look down and behind before and while backing.

## WARNING

 ***Failure to observe the following safety instructions could result in serious injury or death.***

### **GENERAL OPERATION (continued):**

Never leave a running mower unattended. Always turn off blades, set parking brake, stop engine and remove key before dismounting.

Turn off blades when not mowing. Injury could occur from contact with moving parts.

Under no circumstances should you place hands or feet under the mower deck or in the chute while blades or impeller are still running.

To avoid personal injury from accidental clutch engagement, stop engine before removing grass catcher or unclogging chute.

Mow only in daylight or good artificial light.

Do not operate the mower while under the influence of alcohol or drugs.

Slow down before turning to reduce the risk of tip-over.

Watch for traffic when operating near or crossing roadways.

Use extra care when loading or unloading the mower into a trailer or truck. Push, do not ride the mower when loading and unloading.

## WARNING

 ***Failure to observe the following safety instructions could result in serious injury or death.***

### **GENERAL OPERATION (continued):**

Protect your eyes. Always wear safety goggles or safety glasses with side shields when operating mower.

Data indicates that operators, age 60 years and above, are involved in a large percentage of riding mower-related injuries. These operators should evaluate their ability to operate the riding mower safely enough to protect themselves and others from serious injury.

To protect against possible tip-over, follow the manufacturer's recommendation for wheel weights and counterweights.

Maintain or replace safety & instruction labels as needed.

*The engine exhaust from this product contains chemicals known to the State of California to cause cancer, birth defects or other reproductive harm.*



## WARNING

 ***Failure to observe the following safety instructions could result in serious injury or death.***

### **SLOPE OPERATION:**

***Slopes are a major factor related to loss-of-control and tip-over accidents, which can result in severe injury or death.***

***All slopes require extra caution. If you feel uneasy on a slope, do not mow it!***

### **DO**

Mow across the slope with your Dixon® ZTR® -- never up or down. This will decrease the risk of tip-over.

Remove obstacles such as rocks, tree limbs, wires and other foreign objects that can be thrown by mower blades.

Watch for holes, ruts, roots and bumps. Uneven terrain could overturn the mower. Tall grass can hide such obstacles.

Use slow speed. Tires may lose traction on slopes even though the brakes are functioning properly.

Avoid starting or stopping on a slope. If tires lose traction, disengage the blades and proceed slowly down the slope.

## WARNING

 **Failure to observe the following safety instructions could result in serious injury or death.**

### **SLOPE OPERATION (continued):**

#### ***DO (continued):***

Keep all movement on the slopes slow and gradual. Do not make sudden changes in speed or direction.

Use extreme caution when operating the mower with attachments to prevent tip-over or roll-over.

If front wheels lift off the ground, pull levers back to stabilize the mower. Discontinue mowing the slope!

## WARNING

 ***Failure to observe the following safety instructions could result in serious injury or death.***

### **SLOPE OPERATION (continued):**

#### ***DO NOT***

Do not turn on slopes unless necessary, and then, turn slowly and gradually downhill, if possible. Rapid uphill turns may cause tip-over.

Do not mow near drop-offs, ditches, or embankments. The mower could suddenly turn over if a wheel is over the edge of a cliff or ditch or if an edge caves in.

Do not mow on wet grass. Reduced traction could cause sliding.

Do not try to stabilize the mower by putting your foot on the ground.

Do not use grass catcher or other attachments on steep slopes. The added weight may change the stability of the mower thus creating the potential for tip-over.

## WARNING

 ***Failure to observe the following safety instructions could result in serious injury or death.***

### **FIRE HAZARDS:**

Use extra care when handling gasoline and other fuels. They are flammable and vapors are explosive.

Store all fuel in approved containers specifically designed for that purpose.

Allow engine to cool before refueling. Never remove fuel cap or add fuel with engine running.

Do not smoke while refueling or operating the mower.

To reduce fire hazard, keep mower free of grass, leaves and other debris build-up.

If gasoline is spilled, do not attempt to start the engine. Move mower away from the area of the spill. Do not create any source of ignition until gas vapors have dissipated. Wipe up spilled fuel and dispose of waste properly.

If fuel is spilled on clothing, change clothing immediately.

Before storing, allow mower to cool. Clean fuel and oil spillage.

Never store the mower or fuel container inside a building where there is an open flame.

## WARNING

 ***Failure to observe the following safety instructions could result in serious injury or death.***

### **FIRE HAZARDS (continued):**

To prevent fire or explosion, keep sparks and open flames away from battery.

Keep electrical connections clean and tight. Inspect them often. Loose connections and corrosion increase fire risk.

Before disconnecting the negative ground cable, make sure all switches are off. This decreases the chance of sparking and fire.

Use care when backing to avoid pushing the grass bags into the frame or “hot” exhaust muffler of the engine. Fire could result.

To prevent fire and explosion caused by static electricity:

Never fill containers inside a vehicle or on a truck or trailer bed with a plastic liner. Always place containers on the ground away from your vehicle before filling.

When practical, remove fuel powered equipment from the truck or trailer and refuel it on the ground. If this is not possible, refuel such equipment on a trailer with a portable container, rather than from a fuel dispenser nozzle.

If a fuel dispenser nozzle must be used, keep the nozzle in contact with the rim of the fuel tank or container opening at all times until fueling is complete. Do not use a nozzle lock-open device.

## WARNING

 ***Failure to observe the following safety instructions could result in serious injury or death.***

### **CHILDREN:**

***Tragic accidents can occur if the operator is not alert to the presence of children.***

***Children are attracted to lawn mowers and the mowing activity.***

***NEVER assume children will stay where they were last seen.***

***Be alert to avoid accidents.***

Keep children out of the mowing area and under the watchful care of another responsible adult.

Be alert and turn mower off if a child enters the area.

Before and during backing look BEHIND and DOWN for small children.

Never carry children. They may fall off and be seriously injured or interfere with safe mower operation.

Never allow children to operate the mower.

Use extra care when approaching blind corners, shrubs, trees, or other objects that may obscure vision.

## WARNING

 ***Failure to observe the following safety instructions could result in serious injury or death.***

### **SERVICE:**

Never run a mower inside a closed area or without proper ventilation.

Keep nuts and bolts tight, especially blade attachment bolts, and keep equipment in good condition.

Never tamper with safety devices. Check their proper operation regularly.

Stop and inspect the equipment if you strike an object. Repair, if necessary, before restarting.

Never make adjustments or repairs with the engine running unless otherwise specified.

Grass catcher components are subject to wear, damage and deterioration which could expose moving parts or allow objects to be thrown. Frequently check components. Replace with original equipment parts when necessary.

Mower blades are sharp and can cut. Wrap blades or wear gloves, and use extra caution when servicing them.

Batteries contain sulfuric acid. To prevent burns, avoid contact with skin, eyes and clothing.

**DIXON® ZTR® RESIDENTIAL WARRANTY POLICY**  
**SpeedZTR™, RAM 42, RAM 44 & RAM 50 - Residential Mowers**

---

DIXON® WARRANTS ITS ZTR® MOWERS AGAINST DEFECTS IN MATERIAL AND WORKMANSHIP FOR THE PERIODS SET FORTH BELOW. THE SOLE REMEDY UNDER THIS WARRANTY IS REPLACEMENT OR REPAIR OF PARTS INCLUDING LABOR COSTS. THIS WARRANTY IS SUBJECT TO THE FOLLOWING CONDITIONS AND LIMITATIONS:

1. RESIDENTIAL APPLICATION - (used only at owner's primary place of residence):
  - a. Two Years - 100% parts and labor subject to the conditions and limitations described herein for a period of two years from date of purchase by the original owner.
  - b. Third year - limited to 100% parts cost as shown in the current Dixon® Parts Price List and subject to the conditions and limitations as described herein.
  - c. Attachments marketed through or approved by Dixon Industries, Inc., are warranted for two years parts and labor in residential use applications.
2. NOT APPROVED FOR COMMERCIAL USE.
3. Lifetime warranty on all frames and leading edge of all fabricated (welded) decks (Ram44 & 50 only).
4. All Dixon® warranty must be accomplished by authorized Dixon® dealers and in accordance with Dixon® warranty policy and allowances. All warranty claims must be submitted to Dixon Industries for approval.
5. Warranty applies to new and unused mowers and ***is transferable*** within the stated time frame to a second owner.
6. Warranty labor reimbursement to dealers based on published Dixon® flat rate schedule.
7. Warranty does not apply to damage in transit or incidents of misuse, negligence, accidents, or alteration. The use of parts or components other than those supplied by Dixon Industries VOIDS ALL WARRANTY.
8. Battery warranty is limited to 90 days from date of purchase.
9. The following items are not covered by this warranty policy:
  - (a) Routine maintenance or adjustments to include any oils, filters or other fluids used.
  - (b) Belts, blades and tires.
  - (c) Pick up and delivery charges for transportation of mower to and from an authorized Dixon® dealer's place of business.
  - (d) Engines. These are covered under a separate warranty by each individual engine manufacturer. Consult engine manual for warranty details.
  - (e) Any costs or expense of providing substitute equipment while repair work is being performed on a warranted mower.
10. THERE IS NO OTHER EXPRESS WARRANTY. TO THE EXTENT PERMITTED BY LAW, ALL IMPLIED WARRANTIES, INCLUDING THOSE OF MERCHANTABILITY AND FITNESS FOR A PARTICULAR PURPOSE ARE EXCLUDED, OTHERWISE, ALL SUCH IMPLIED WARRANTIES ARE LIMITED TO THE SAME DURATION AND REMEDIES AS THE EXPRESS WARRANTY. ALL LIABILITIES FOR CONSEQUENTIAL DAMAGES UNDER ANY EXPRESS OR IMPLIED WARRANTY ARE EXCLUDED.



# SPECIFICATIONS

## SpeedZTR™ 38, 42 & 44

Chassis:	1-1/2 X 2 rectangle tube side frame	
Mower Deck:	38"/42" - 13 ga stamped 2 blade deck. 44" - 11 ga fabricated construction with reinforced ribs.	
Blade Drive:	Electric clutch.	
Transmission:	Each rear wheel is independently driven by a Hydro Gear EZT hydrostatic drive with cooling fan.	
Engine:		
SpeedZTR™38:	15 HP Briggs & Stratton Intek, 4 cycle, single cylinder, overhead valve, air cooled, gasoline, vertical shaft, cast iron cylinder, full pressure lube with spin-on filter.	
SpeedZTR™42:	16 HP Briggs & Stratton Intek, 4 cycle, single cylinder, overhead valve, air cooled, gasoline, vertical shaft, cast iron cylinder, full pressure lube with spin-on filter.	
SpeedZTR™44:	20 HP Briggs & Stratton twin cylinder engine, overhead valve, air cooled, gasoline, full pressure lube with oil filter, vertical shaft, aluminum head and block with cast-iron cylinder liners.	
Starting System:	Electric-key switch operation with safety interlock blade drive.	
Tires:	38/42" - Front 11 x 4.00-5 smooth tread (16-21 PSI) 38" - Rear 18x7.50-8--4 ply turf tread (8-14 PSI) 42" - Rear 18x8.50-8--4 ply turf tread (8-14 PSI) 44" - Rear 18x9.50-8--4 ply turf tread (8-14 PSI)	
Capacities:	Fuel	4.5 gallons
	Engine Oil	1.3 quarts
Dimensions:	Width	43" maximum track width
	Height	43" to top edge of seat
	Length	69" hitch tab to front bumper
	Weight	power unit - 482 lbs with 38" deck - 530 lbs with 42" deck - 537 lbs with 44" deck - 570 lbs

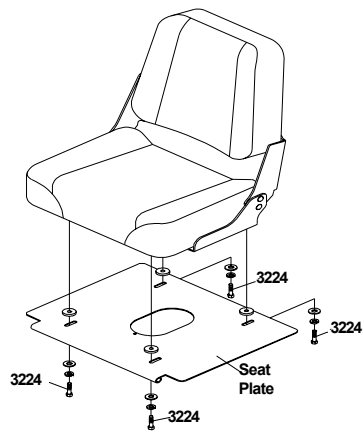
Additional information may be provided elsewhere in this manual.

**SPECIFICATIONS SUBJECT TO CHANGE WITHOUT NOTICE**

# SEAT ADJUSTMENT INSTRUCTIONS

## SpeedZTR™ 38, 42 & 44

1. Raise seat assembly.
2. Loosen four seat bolts, P/N 3224, and slide seat to desired position.
3. Tighten seat bolts. DO NOT operate mower without seat bolts properly tightened.
4. Lower seat assembly.



# CONTROLS

## CONTROL LEVERS

*Note: For access to the seat, move control levers to neutral position and swing them outward.*

### TO GO FORWARD

- From neutral position, gently push control levers forward.
- To increase speed, move levers further forward.

### TO GO BACKWARDS

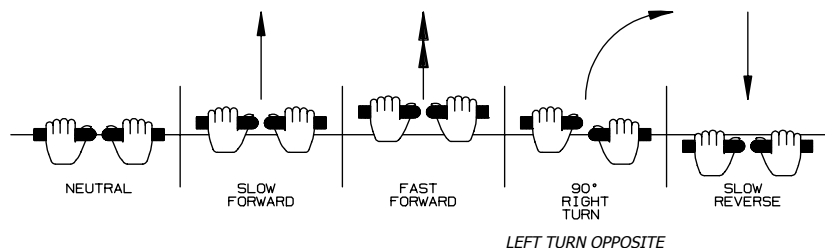
- From neutral position, gently pull control levers toward you.

### TURNING

- Turning is controlled by moving one control lever slightly forward or rearward of the other.
- To turn left, move left lever rearward of the right lever.
- To turn right, move right lever rearward of the left lever.
- To turn on mower's own axis (zero turning radius), stop and move one lever to reverse position and the other to forward position.

### BRAKING

- To brake mower, move both levers in direction opposite of travel.



Note: The pressure required to operate the mower is very light.

# CONTROLS

## PARKING BRAKE:

The parking brake is designed to hold the mower from moving and is not intended for use in stopping the mower while it is in motion. The engine will stop if the parking brake is engaged while the control levers are in the drive position.



### CAUTION

Engage parking brake before starting engine.



## TO SET PARKING BRAKE:

The hand operated parking brake is located on the left hand side between the operators seat and the fuel tank.

- To engage brake, pull lever up (to the rear).
- To release brake, move lever forward (down).

Note: Always set parking brake before dismounting.  
Release parking brake before moving mower.

## TRANSMISSION DRIVE SYSTEM

Allows the mower to turn on its own axis “ZERO TURNING RADIUS”. Each lever controls one side of the mower.

Note: The pressure required to operate the mower is very light.

# CONTROLS

## BLADE DRIVE:

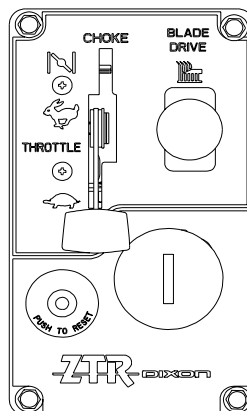
- Located on the control panel, on operator's right.
- To engage the mower blade, pull up on the switch.
- To disengage mower blade, push down.

## CIRCUIT BREAKER:

- Protection of the electrical system is by (1) 15 amp circuit breaker.
- If circuit breaker trips, push button to reset.
- If this condition repeats, consult dealer for inspection and repair.

## THROTTLE CONTROL LEVER:

- Located on control panel to operator's right.
- Throttle control for engine speed.
- Choke for engine starting (38 & 42" models only).  
44" model has a separate choke cable.
- Throttle control should be set to MAXIMUM or wide open setting to insure adequate cooling of the engine and to maintain mower deck blade speed while mowing.



# CONTROLS

## **MOWER DECK CUT HEIGHT LIFT LEVER:**

- Use right foot to operate deck foot pedal at right front foot area.
- To raise mower deck, push forward with right foot on top portion of foot pedal. When desired deck height is reached, push with right foot on lower portion of foot pedal until the bottom of the foot pedal engages in deck positioning notch.
- To lower deck, push forward with right foot on top portion of foot pedal until bottom edge of foot pedal disengages deck positioning notch. Lower deck to desired height and push bottom portion of foot pedal until bottom edge engages notch.
- Never attempt to operate deck lift mechanism in any manner, other than foot method described above.
- Always use highest position for transport.

## **OPERATION INSTRUCTIONS**

The safe and successful operation of the Speed-ZTR™ will depend upon the operator having the correct knowledge of all controls used on the mower and making good judgements about the terrain to be mowed.

*NEVER* allow anyone to operate the mower without complete knowledge of all controls and their functions.

During initial operation, “learning to drive”, set throttle at slow speed.

Sound judgement by the operator will prevent accidents.

### ***BEFORE OPERATING MOWER:***

1. Read engine manufacturer’s operating and maintenance instructions.
2. Read and observe all safety instructions on your mower and in the manual.
3. Check engine oil.
4. Check fuel cap to be sure it is in place.
5. Be sure parking brake is on.
6. Be sure mower blade drive is off.
7. Know how to stop engine. (Turn key to off position).

## OPERATION INSTRUCTIONS



**CAUTION** Failure to follow these instructions may result in personal injury.

### STARTING INSTRUCTIONS:

1. Parking brake must be on, control levers in outward position and blade drive disengaged.

2. Position throttle to choke setting.

**NOTE:** Engine may require partial choke setting to start even if the engine has been operated for a period of time.

3. Insert ignition key and turn to “start” position. When engine starts, release ignition key. Key will return to “run” position.

4. Move “throttle” to maximum speed position.

5. Release parking brake.

6. Swing levers inward.

7. Operate mower per “CONTROL” instructions on Page 19.

**CAUTION** Do not operate the engine in an enclosed area due to the harmful exhaust gas produced.



**Note:** When mowing with blades engaged, set throttle control to the MAXIMUM or wide open setting to insure adequate cooling of the engine and to maintain mower deck blade speed.



# OPERATION INSTRUCTIONS

## TOWING TRAILERS AND OTHER ATTACHMENTS:

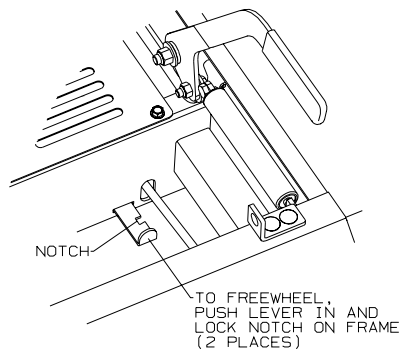
Towing a trailer or other attachment that is too heavy could damage the drive or cause the mower to become unstable. Limit loads to 250 pounds or less with this mower.

## TO FREE WHEEL MACHINE (Unlock Transmission):

Always turn off engine before engaging or disengaging the hydro release (free wheel) lever. Never attempt to move the lever with the engine running.

Lift seat to access release levers. Push release lever rearward and engage notch on frame.

**NOTE:** Before pushing or towing tractor, transmission must be unlocked and parking brake released. The tractor should never be pulled at more than 2 miles per hour or for any appreciable distance.



# OPERATION INSTRUCTIONS

## TESTING OF SAFETY INTERLOCK SYSTEMS:



***Failure to observe the following testing instructions could result in serious injury or death.***

***The following tests should be performed at the start of each mowing day.***

### PARKING BRAKE SWITCH TEST:

- a) Swing control levers to outward position
- b) Disengage blade drive switch
- c) Put parking brake in OFF position
- d) Turn ignition switch to START

***Engine should not turn over or attempt to start.***

### CONTROL LEVER SWITCH TEST:

- a) Disengage blade drive switch
- b) Put parking brake in ON position
- c) Swing control levers inward
- d) Turn ignition switch to START

***Engine should not turn over or attempt to start.***

***NOTE: If any safety check fails, do not operate the mower until the system has been checked and repaired by an Authorized Dixon® Dealer.***

# OPERATION INSTRUCTIONS

## TESTING OF SAFETY INTERLOCK SYSTEMS:



***Failure to observe the following testing instructions could result in serious injury or death.***

***The following tests should be performed at the start of each mowing day.***

### BLADE DRIVE SWITCH TEST:

- a) Put parking brake in ON position.
- b) Swing control levers to outward position.
- c) Engage blade drive switch.
- d) Turn ignition switch to START.

***Engine should not turn over or attempt to start.***

### SEAT SWITCH TEST:

- a) In a SAFE AREA away from bystanders, start the engine.
- b) Leave control levers in outward position and put parking brake ON position.
- c) Engage blade drive.
- d) Raise slightly off seat.

***ENGINE SHOULD STOP!***

***NOTE: If any safety check fails, do not operate the mower until the system has been checked and repaired by an Authorized Dixon® Dealer.***

# OPERATION INSTRUCTIONS

## MOWING WITH A MULCHING ATTACHMENT:

Mulching or recycling the grass clippings requires a totally different mowing approach than would be normal when side discharging or bagging the grass. There may be instances or conditions where it is not possible to hide all the recycled or mulched clippings.

In order to achieve the best results, please read and follow the mulching tips listed below:

1. Read and follow the installation instructions that are included with your mulcher.
2. Set the engine speed control to the wide open or full setting.
3. Place the mower deck cut height selector in either the top or second notch. Never cut more than 3/4" to 1" off the grass at any one time. Attempting to cut more grass will result in the deck plugging and cause the engine to stall.
4. It may be necessary to cut the lawn twice to achieve acceptable mulching performance especially on first cuttings or if the lawn is heavily fertilized.
5. *Do not attempt to cut grass when it is wet.* Mulching performance will be very poor in wet grass conditions.
6. *Maintain sharp blades throughout the cutting season.* This is very important. Optimal mulching performance cannot be obtained with a dull or nicked up blade.

# OPERATION INSTRUCTIONS

## MOWING WITH A MULCHING ATTACHMENT (continued):

7. *Keep the underside of the mower deck clean.*  
Remove all grass and dirt build-up from the underside of the pan, the baffles and deflectors after each use. **Never, under any circumstances, should you place hands or feet under the mower deck or in the chute while blades or impeller are still turning.**
8. Alternate mower direction. This will evenly disperse the mulched grass clippings over the lawn for even fertilization.

If the mulching quality of the mower does not seem to be satisfactory, try one or more of the following tips:

- a. Raise the height-of-cut setting on your mower.
- b. It may be necessary to cut your grass more frequently.
- c. Operate the mower at a slower ground speed.
- d. Overlap cutting swaths instead of cutting a full swath with each pass.
- e. Mow across the marginal areas a second time.
- f. CUT HIGH - MOW OFTEN!

# OPERATION INSTRUCTIONS

## MOWING WITH A GRASS CATCHER ATTACHMENT:

In order to achieve optimum performance when mowing with a grass catching attachment, please read and follow the tips listed below.

1. Read and follow the installation instructions that are included with your grass catcher.
2. Set engine speed control to the wide open or full setting.
3. *Do not attempt to cut grass when it is wet.* Wet grass will clog both the underside of the deck and the attachment chutes. Empty bags often to prevent plugging.
4. If the grass is tall, place the mower deck cut height selector in the top or second notch. "Initially" overlap cutting swaths instead of a full swath with each pass.
5. *Keep the underside of the mower deck clean.* Frequent removal of dried grass and dirt will greatly assist in bagging of the clippings. **Never, under any circumstances, should you place hands or feet under the mower deck or in the chute while blades or impeller are still turning.**
6. Operate the mower at a slower ground speed than when mowing without a grass catching attachment.

# OPERATION INSTRUCTIONS

## MOWING WITH A GRASS CATCHER ATTACHMENT (continued):

7. *Maintain sharp blades throughout the cutting season.* Some grass catching attachments require a “high-lift” blade. See your dealer for advice on the type of blade(s) needed for your mower.
8. Some mowing applications/use of grass catchers may require that an additional weight kit be fitted to the mower to counter the weight of grass in the bags. Please consult with your dealer for more information regarding installation and adding weight to the box.



**WARNING** Failure to observe the following instructions may result in personal injury.

- Watch for low hanging branches or other obstacles which might hit the catcher top while turning or backing the mower.
- Use care when backing to avoid pushing the grass bags into the frame or “hot” exhaust muffler of the engine. Fire could result.
- Disengage blade and stop engine prior to clearing grass from either the discharge chute or grass catcher components.
- Do not operate the mower with the grass catching attachment partially removed. Operator or bystanders could be injured by thrown objects.
- Keep all attachment bolts tight.
- *Important: Do Not leave clippings in the bags while the mower is stored. Damp grass clippings are a fire hazard if left in the bag.*

# OPERATION INSTRUCTIONS

## SIDE DISCHARGE OF THE CLIPPINGS:

In order to achieve optimum performance when side discharging the grass clippings, please read and follow the tips listed below. Additional information can be found in the Troubleshooting guide.



**CAUTION** To avoid personal injury, be sure that the deflector is properly installed on the discharge chute.

1. Set engine speed control to the wide open or full setting.
2. *Do not attempt to cut grass when it is wet.* Wet grass will clog the underside of the deck and discharge area.
3. If the grass is tall, place the mower deck cut height lever in the top or second notch. “Initially” overlap cutting swaths instead of a full swath with each pass. Some applications may require a second cutting.
4. *Keep the underside of the mower deck clean.* Frequent removal of dried grass and dirt will allow the clippings to discharge correctly. **Never, under any circumstances, should you place hands or feet under the mower deck or in the chute while blades or impeller are still turning.**
5. *Maintain sharp blade(s) throughout the cutting season.*



# OPERATION INSTRUCTIONS

## GRASS HEIGHT & CUTTING SUGGESTIONS:

Do not attempt to cut grass when it is wet.

If the grass is tall, place the mower deck cut height lever in the top or second notch. "Initially" overlap cutting swaths instead of a full swath with each pass. Some applications may require a second cutting.

Keep the underside of the mower deck clean.

Maintain sharp blades throughout the cutting season.

As a rule of thumb, never cut off more than 1/3 of the total grass blade length. Correct mowing height can reduce weeds and disease by 50% to 80%.

The following grass cut heights are based on adequate moisture conditions and normal thatch build-up in a healthy lawn. Some locations and applications may require slightly different cut heights. If in doubt, consult your local lawn professional for assistance.

Grass Types	Best Cut Heights
Bermudagrass	1 - 2"
Bluegrass	2 - 3"
Buffalograss	1 <sup>1/2</sup> -3"
Ryegrass	2 - 3"
Tall Fescue	3-3 <sup>1/2</sup> "
Zoysiagrass	1 - 3"

# CARE AND MAINTENANCE

## WARNING

*Failure to observe the following instructions may result in personal injury.*


*Before performing any maintenance, turn off engine,  
allow to cool & remove key.  
Use extreme care when working on machinery.  
Do not wear watch or jewelry.  
Do not wear loose fitting clothes, and observe all  
common safety practices with tools.*

## MAINTENANCE SCHEDULE

- Check deck drive belt.....after 20 hours break-in
- Check crankcase oil level.....before each use
- Clean grass & debris from muffler & manifold area.....before each use
- Check air intake screen.....after each use
- Clean grass under deck.....after each use
- Check tire pressure.....every 10 hours
- Inspect blades for sharpness.....every 10 hours
- Clean air filter element.....every 25 hours
- Grease all zerks.....every 50 hours
- Check all belts.....every 50 hours
- Change engine crankcase oil.....(5 hours break-in)  
every 50 hours
- Change engine oil filter.....every 50 hours
- Replace air filter element.....annually or every 100 hours

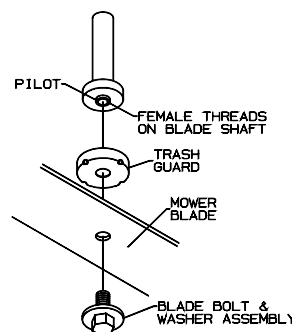
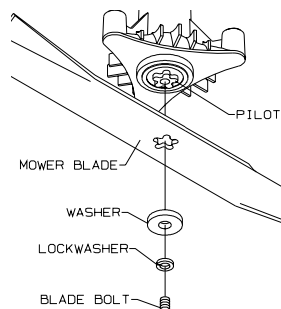
# CARE AND MAINTENANCE

## CUTTER BLADE MAINTENANCE:

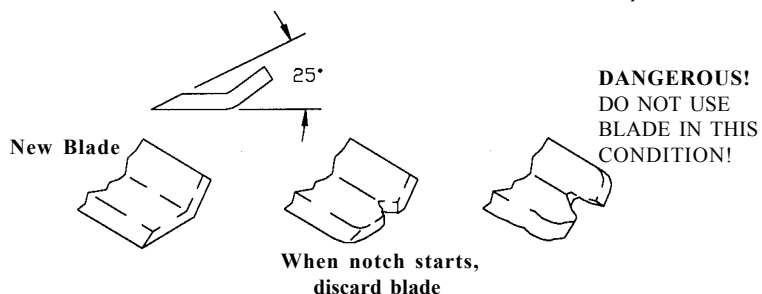
 **CAUTION** Stop engine and remove ignition key for safety. Wear heavy, thick gloves when holding onto cutter blade, avoid the sharp edge of the blade.

Check sharpness of mower blades after every 10 hours of operation. Observe proper blade position prior to removal.

1. Safely raise front of mower.
2. Hold or block blade from turning.
3. Loosen blade bolt and remove blade.
4. When replacing blade, tighten blade bolt securely. Be sure blade is centered on pilot before tightening bolt to 35 ft. lbs. Refer to diagram at top for 38" & 42" mowers. Refer to diagram at right for 44" mowers.



Blades should be discarded when worn excessively.



## CARE AND MAINTENANCE

### ENGINE:

For complete maintenance and operating information of the engine, please refer to the maintenance instructions furnished by the engine manufacturer included in your Zero Turn Radius mower information packet.



**CAUTION** *Battery contains sulfuric acid electrolyte which is poisonous and corrosive.*

### BATTERY:

This is a maintenance-free battery and the fluid level cannot be checked.

- Charge battery if required.

#### OFF SEASON BATTERY STORAGE:

- DO NOT remove battery from mower.
- Clean top of battery and terminals with baking soda and water.
- Identify each cable so they can be reconnected to the correct terminal.
- Disconnect cables from terminals. ALWAYS disconnect ground cable first and reconnect last.
- Charge battery.

Note: Your Dixon® mower comes equipped with a quick disconnect harness for the optional Dixon® Battery Manager. The Dixon® Battery Manager maintains the proper charge levels during periods of inactivity and may prevent premature battery failures. Contact your dealer for more information.

# CARE AND MAINTENANCE

## TIRES:

Correct tire pressure is essential for efficient operation of the mower. Check tire pressure periodically. Inflate tires to the pressure listed below.

Front tires	11 x 4.00 - 5	16-21 lbs.
Rear tires 38"	18 x 7.50 - 8	8-14 lbs.
Rear tires 42"	18 x 8.50 - 8	8-14 lbs.
Rear tires 44"	18 x 9.50 - 8	8-14 lbs.

*Lug nuts or lug bolts should be checked regularly for tightness.*

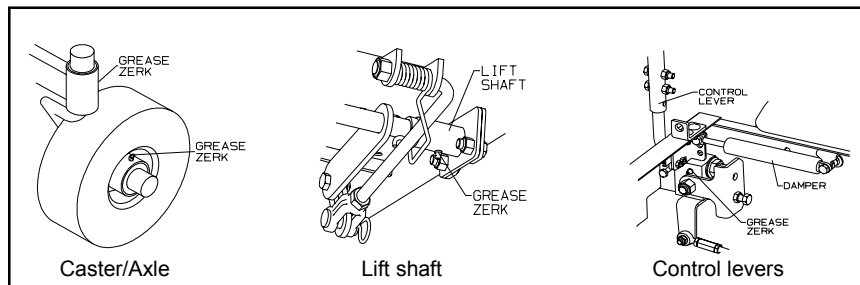
## LUBRICATION:

CHASSIS: (8) grease zerks

LOCATIONS:  
(2) front wheel axles  
(2) front wheel casters  
(2) deck lift shaft  
(2) control levers

SERVICE INTERVALS: Every 50 hours of operation or once per season.

RECOMMENDED GREASE: Name brand wheel bearing or multi-purpose grease (3 pumps each)



# CARE AND MAINTENANCE

## **BELTS:**

Check belts every 50 hours. Replace any belts found to be in poor condition.

## **BELT TENSION:**

### **38" Deck**

**Engine to Mower Deck Belt-P/N 14136**  
Refer to Page 39 for adjustment procedure.

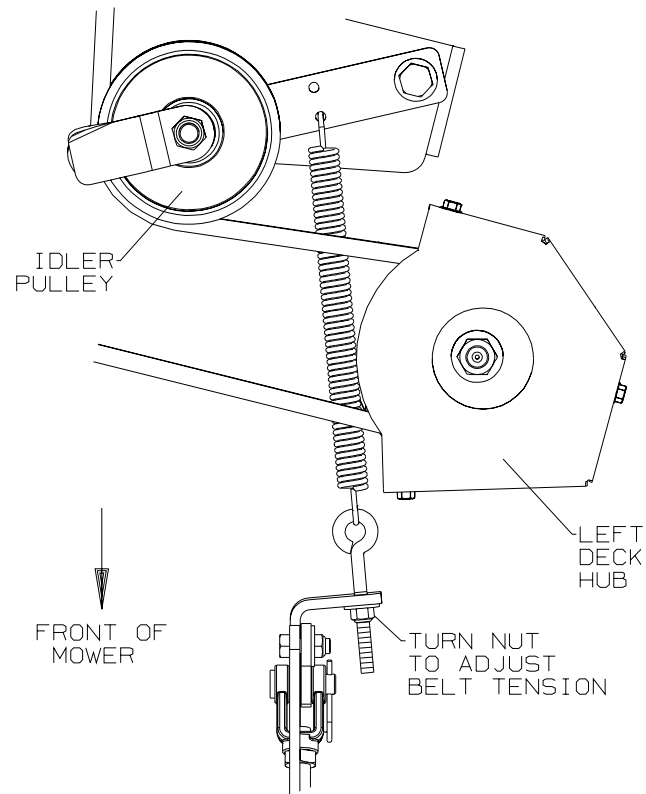
### **42" Deck**

**Engine to Mower Deck Belt-P/N 61515**  
Refer to Page 39 for adjustment procedure.

### **44" Deck**

**Engine to Mower Deck Belt-P/N 12033**  
Refer to Page 39 for adjustment procedure.

# CARE AND MAINTENANCE



## BELT TENSION MANUAL ADJUSTMENT 38", 42" & 44"

## CARE AND MAINTENANCE

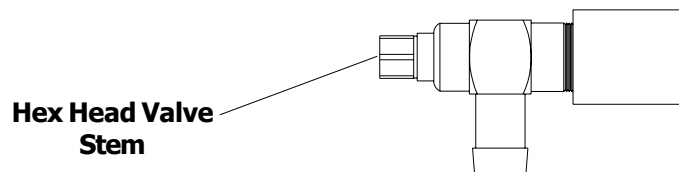


**CAUTION** HOT oil may cause burns. Allow engine to cool before draining oil.

### CHANGING THE ENGINE OIL:


1. The “Dapco” oil drain valve is located on the left side of the engine crankcase.
2. Place a suitable container under the drain valve hose.
3. To drain, turn hex head valve stem counter-clockwise with a 10mm wrench or socket. Open to full open (approximately 7 turns).
4. After engine is drained, tighten hex stem.
5. Change oil filter.
6. Fill with oil (see steps on next page).

**NOTE:** Refer to engine manufacturer’s recommendations for frequency of oil changes.





## CARE AND MAINTENANCE

 **CAUTION** HOT oil may cause burns. Allow engine to cool before draining oil.

### OIL FILL:

1. Clean any spilled oil from engine and chassis.
2. Refill engine with type, and quantity of oil recommended by the engine manufacturer in engine literature.

NOTE: Engine oil changes on the SpeedZTR™ Models will require replacement of the oil filter. These filters may be available from your local Dixon® Dealer.

# CARE AND MAINTENANCE

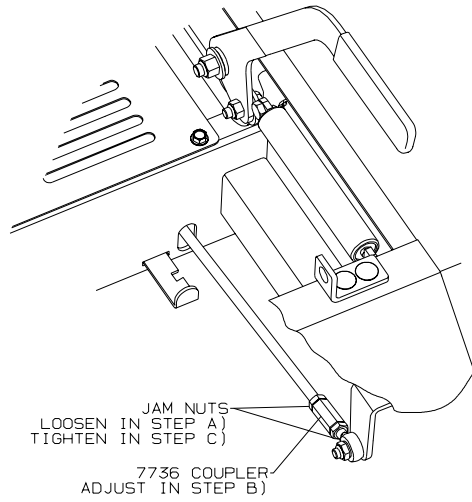
## NEUTRAL ADJUSTMENT

DRIVE MACHINE UNTIL HYDROSTATIC TRANSMISSIONS HAVE WARMED UP. WITH ENGINE RUNNING AND THE PARKING BRAKE OFF, SWING THE CONTROL LEVERS OUTWARD. IF MACHINE STARTS TO CREEP, FOLLOW THE INSTRUCTIONS BELOW.

1. Stop the engine, engage parking brake and raise rear of frame with jack or blocks so that rear tires do not contact the ground.
2. Swing out the control levers, start the engine and release the parking brake.
3. Raise the seat to access hydro control linkage. If right wheel creeps, adjust right side linkage and vice-versa. Use procedure below.
  - a. Loosen jam nuts on ends of the coupler P/N 7736.
  - b. If either wheel is creeping forward, turn coupler clockwise until neutral is achieved. If either wheel is creeping backward, turn coupler counter-clockwise until neutral is achieved.
  - c. Tighten jam nuts against coupler.
4. Stop engine and remove rear of machine from jack or blocks.

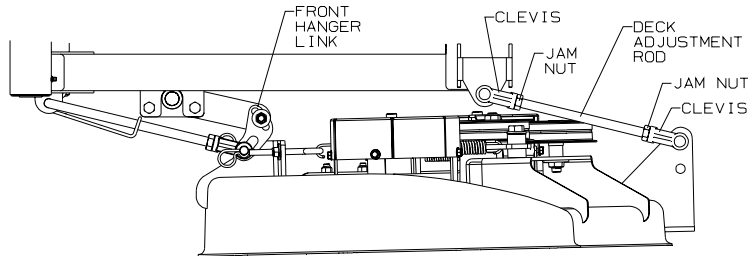
(See Illustration A, page 43)

# CARE AND MAINTENANCE



**Illustration A**

---



**Illustration B**

# CARE AND MAINTENANCE

## MOWER DECK LEVELING PROCEDURE:

1. Place mower on a smooth, level surface and check tire pressures to insure correct stance. Rotate front caster wheels into forward travel position. Tires should be inflated as follows:

Front: 16 - 21 lbs

Rear: 8 - 14 lbs

2. Place deck lift foot pedal in the 4th notch from the lowest.
3. Rotate blades so they run from front to back. Front of blade tips should be within 1/8" of each other. Adjust, if necessary, using the appropriate holes in the front hanger links.

**IMPORTANT:** Do not disconnect or attempt to adjust the front deck trailing arms. The deck will be difficult to adjust if the front arms are changed from the factory setting.

4. Check the back to front blade rake angle. Blade tips should be 1/4" (+/- 1/8") higher in the rear of the deck (positive rake). Adjust, if necessary, by loosening clevis jam nuts and turning deck adjustment rod(s) to shorten or lengthen the rod assemblies.
5. Check the front blade tips again and note measurements.
6. Turn blades side to side and check left and right blade tips. These measurements should be within 1/8" of each other and the measurements at the front. To adjust side to side measurements, use small turns on the rear deck adjustment rod(s). Shortening the right rear rod will raise the right side and lower the left, and vice-versa.
7. Turn blades front to back and check again. Blade tips should still be within 1/8" of each other.

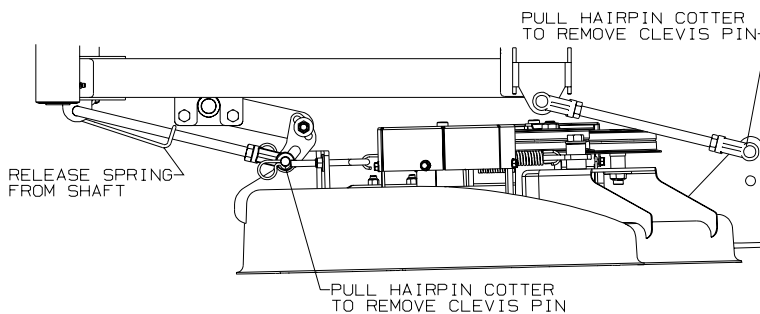
(See illustration B, page 43)

**NOTE:** This places the mower deck in a base measurement position. Additional adjustment may be required to achieve desired cut for the type of grass or conditions involved.

## CARE AND MAINTENANCE

### DECK REMOVAL:

1. Remove mower deck drive belt. Move deck lift pedal into the highest cut position and latch in place. As a safety precaution, insert clevis pin in nearest hole at rear of foot pedal. Belt can now be removed from mower deck pulley.
2. Release spring from front deck trailing arm (both sides). Pull hairpin cotter to remove front clevis pin (both sides).
3. Pull hairpin cotter to remove rear clevis pin (both sides).
4. Slide deck from beneath chassis.
5. Reverse procedure to reinstall deck to chassis.



# **CARE AND MAINTENANCE**

## **ELECTRICAL SYSTEMS:**

Keep all connections clean and tight.

## **CLEANING THE MOWER:**

Wash mower periodically. Clean above and below deck.

High pressure washing and alkaline based soaps can cause damage to bearings and other parts of the mower. After washing your mower, start the engine and engage the mower deck for a few minutes to disperse any water that may have accumulated in bearings, pulleys or fans.

Note: Allow mower to cool before washing. If bearings are hot, they will draw moisture inside as they dry and cause corrosion.

## **SERIAL NUMBERS:**

The serial number is located on frame at rear of engine.

## **WARRANTY:**

Refer to warranty information (pages 16).

## **PARTS/SERVICE:**

See your Dixon® dealer for replacement parts, warranty or service.

# STANDARD SERVICE PARTS LIST

## BLADES

### *~38" Deck~*

\*Hi Lift Fusion - P/N 13925  
Hi-Lift - P/N 13932  
Gator Fusion- P/N 13934  
Gator - P/N 13933

### *~42" Deck~*

\*Hi Lift Fusion - P/N 13926  
Hi-Lift - P/N 13935  
Gator Fusion - P/N 13937  
Gator - 13936

### *~44" Deck~*

\*Hi Lift Fusion - P/N 13918  
Super Hi-Lift Fusion - P/N 13867  
Hi-Lift - P/N 13943  
Standard Lift Fusion - P/N 13945  
Standard Lift - P/N 13944  
Gator - P/N 13947

\*Factory installed

# **STANDARD SERVICE PARTS LIST**

## **BELTS**

### **~38" Deck~**

Engine to Mower Deck - P/N 14136  
Engine to Transmission - P/N 16108

### **~42" Deck~**

Engine to Mower Deck - P/N 61515  
Engine to Transmission - P/N 16108

### **~44" Deck~**

Engine to Mower Deck - P/N 12033  
Engine to Transmission - P/N 16108

## **ENGINE AIR AND OIL FILTERS**

Refer to Engine Operator's Manual for correct service intervals for engine oil changes and air filter maintenance.

Protect your engine investment, use only original equipment filters. Refer to the Engine Operator's Manual or ask your dealer for correct replacement parts.



# TROUBLESHOOTING

## 1. ENGINE WON'T TURN OVER

*Mower blades engaged- ----- disengage blades*  
*Parking brake not on- ----- engage parking brake*  
*Circuit breaker trips- ----- -reset breaker*  
*Dead battery- ----- charge or replace*  
*Solenoid- ----- consult dealer*  
*Ignition switch- ----- consult dealer*  
*Starter- ----- consult dealer*

## 2. ENGINE WILL TURN OVER BUT WON'T START

*No fuel- ----- refuel and/or clean or replace fuel filters*

## 3. HARD TO START ENGINE

*Fuel line clogged- ----- clean fuel line and check fuel filter*  
*Faulty fuel pump- ----- consult dealer*

## 4. ENGINE STARTS BUT CUTS OUT

*Water in fuel- ----- -drain old fuel-replace with new fuel*  
*Clogged fuel line- ----- check fuel filter*  
*Fuel tank vent plugged- ----- -clean fuel vent*  
*Faulty fuel pump- ----- consult dealer*

## 5. ENGINE OVERHEATED

*Air intake screen or fins clogged- ----- -clean intake screen and fins*  
*Oil level too low or too high- ----- -adjust oil level*  
*Running engine too slow ----- -run engine faster*

# TROUBLESHOOTING

## 6. ENGINE RUNS BUT MOWER WON'T MOVE FORWARD

*Drive belt broken or slipping- ----- replace drive belt*  
*Transmission oil low- ----- add oil*  
*Damaged transmission- ----- -consult dealer*  
*Transmission by-pass may be engaged- ---- disengage(see page 25)*

## 7. MOWER LOSES POWER OR TRANSMISSION OVERHEATS

*Engine air filter- ----- clean or replace*  
*Transmission damage- ----- -consult dealer*

## 8. ENGINE STALLS WHEN BLADES ARE ENGAGED

*Operator not on seat- ----- -sit on seat*  
*Faulty interlock system- ----- consult dealer*  
*Faulty blade spindle bearing - ----- consult dealer*  
*Deck drive belt not properly routed- ----- reroute*  
*Blades blocked by foreign material - ----- clean under deck*

## 9. DRIVE SYSTEM

*Mower pulls to side- ----- -check tire inflation/adjust control linkage*  
*Mower creeps in neutral- ----- adjust control linkage*  
*Low on power- ----- -check belt tension*

## 10. CUT QUALITY

*Cut uneven left to right- ----- -check tire inflation/level deck*  
*Ends of grass blades are ragged- ----- sharpen blades*  
*Poor dispersal of grass- ----- clean deck/check for loose belt*  
*Skips in spots- ----- -check for loose belt/slow ground speed*



## OWNER'S INFORMATION

Date of Purchase \_\_\_\_\_

Mower Model Number \_\_\_\_\_

Mower Serial Number \_\_\_\_\_

Purchased From \_\_\_\_\_

*Name*

*Address*


*DATE OIL CHANGED*

*DATE ENGINE TUNED*

_____	_____
_____	_____
_____	_____
_____	_____
_____	_____
_____	_____
_____	_____
_____	_____
_____	_____
_____	_____



Dixon® and ZTR® are registered trademarks of  
Dixon Industries, Inc.

 **WARNING:** The engine exhaust from this product contains  
chemicals known to the State of California to cause  
cancer, birth defects or other reproductive harm.

DIXON INDUSTRIES, INC.  
P.O. Box 1569  
Coffeyville, Ks 67337-0945  
620-251-2000

*SpeedZTR™ 38/42/44*  
*Part No. 16516-1204*