

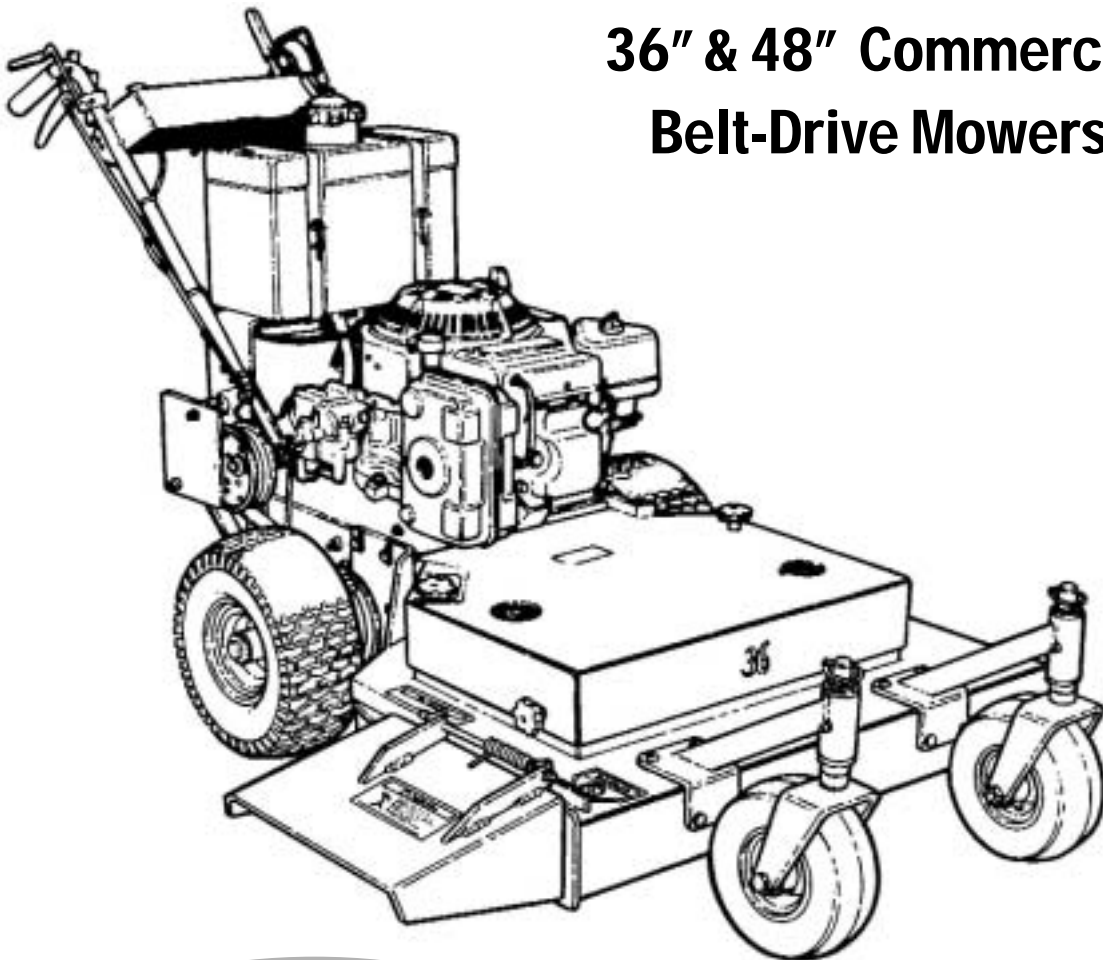
DIXON®

Dixon Industries, Inc. • Airport Industrial Park • Coffeyville, KS • 67337

620.251.2000 • www.dixon-ztr.com



36" & 48" Commercial Belt-Drive Mowers



Congratulations on the purchase of your new
Dixon mower.

Before any warranty service can be authorized you
must register this product with the manufacturer.

Parts & Owner's Manual



Dixon Industries, Inc. • Airport Industrial Park • Coffeyville, KS • 67337
620.251.2000 • www.dixon-ztr.com

Owner's Manual For Dixon 36" & 48"



Commercial Belt-Drive Mowers

TABLE OF CONTENTS

About This Manual	4
Warranty	5
Safety Information	
Training	6
Before Use of Equipment	6
Operation Of the Equipment	7
Safety Information Decals	8
Operating The Mower	
Operating Controls	9
Starting the Engine	10
Going Forward	10
Turning The Mower	11
Stopping The Mower	11
Going In Reverse	11
Mowing	11
Height Of Cut	
Measuring	12
Adjusting Blades	12
Adjusting Front Wheels	12
Service And Maintenance Of The Mower	
Maintenance Schedule	14
Fuel	15
Engine Oil	15
Air Filter	15
Tire Pressure	15
Blades	15
Cleaning The Mower	15
Lubrication Points	16
Service Adjustments	
Wheel Brake Adjustments	17
Wheel Brakes	17
Engine To Blade Belt	18
Blade To Blade Belt	19
Engine To Transmission Belt	19
Safety Interlock System	19
Troubleshooting Guide	20

About This Manual

This owner's manual is considered a permanent part of the mower. It must be available to all of the operators and/or person(s) servicing the mower. Should the mower be resold, this manual must remain with the mower.

All information, illustrations, and specifications contained in this manual were in effect at the time of publication. Dixon Industries, Inc. reserves the right to change, modify, and/or discontinue specifications and/or design without notice. If there is a change that has been made to your mower which is not shown or reflected in this manual, please see your authorized Bradley Mower dealer before operating and/or servicing the equipment.

Congratulations on the purchase of your new Dixon commercial mower. We at Dixon Industries, Inc. are confident that this mower will provide you with years of excellent performance, durability, and trouble free service when operated and maintained as directed in this manual.

Should you ever have any questions regarding the operation, maintenance, or safety of your mower, please contact your authorized Dixon Mower dealer who has been specially trained on operation and service of Dixon Mowers.

A space has been provided below to record information about your new Dixon Mower. Please take time to record such information for future reference, especially when you contact an authorized Dixon Mower dealer with questions.

Date Purchased: _____

Model Number: _____

Serial Number: _____

Purchased From: _____



DIXON® LIMITED WARRANTY POLICY

WalkAbout™ Mowers

DIXON® WALKABOUT™ MOWERS ARE WARRANTED AGAINST DEFECTS IN MATERIALS AND WORKMANSHIP AND PROVIDES FOR REPLACEMENT OR REPAIR OF PARTS INCLUDING LABOR COSTS. THIS WARRANTY IS SUBJECT TO THE FOLLOWING CONDITIONS AND LIMITATIONS.

1. Dixon® WalkAbout™ mowers are warranted for one (1) year from date of purchase for residential or commercial use.
2. Warranty applies only to original retail purchase of new and unused mowers and accessories.
3. All Dixon® warranty must be accomplished by authorized Dixon® dealers and in accordance with Dixon® warranty policy and allowances. All warranty claims must be approved by Dixon Industries, Inc.
4. Warranty does not apply to damage in transit or incidents of misuse, negligence, accidents, or alteration. The use of parts or components other than those supplied by Dixon Industries VOIDS ALL WARRANTY.
5. The following items are not covered by this warranty policy:
 - (a) Pick up and delivery charges for transportation of mower to and from an authorized Dixon® dealer's place of business.
 - (b) Routine maintenance or adjustments.
 - (c) Belts, blades, tilters or tires.
 - (d) Engines - all engines used on Dixon® WalkAbout™ mowers are warranted by each individual engine manufacturer.
 - (e) Transmission - All transmissions used on Dixon® WalkAbout™ mowers are warranted by the transmission manufacturer.
 - (f) Any costs or expense of providing substitute equipment while repair work is being performed on a warranted mower.
6. There is no other express warranty. Implied warranties, including those of merchantability and fitness for a particular purpose are limited to the same duration if the express warranty and to the extent permitted by law any and all implied warranties are excluded. Liabilities for consequential damages under any and all warranties are excluded.



SAFETY INFORMATION

Read This Manual Carefully And Thoroughly Before Operating The Mower!

Training

1. Carefully and thoroughly read the owner's manual. Allow adequate time to fully understand the controls and operation of the equipment.
2. Never allow anyone to operate the mower that has not read and fully understood the owner's manual.
3. Do not carry passengers. Avoid mowing while people, especially children and pets are nearby, since rotating blades can throw rocks and other items with enough force to cause serious injury.

Before Use of Equipment

Operator:

Wear protective clothing while mowing. Long trousers and safety glasses will help reduce the risk of injury from thrown objects. It is recommended that steel toe shoes with aggressive soles or some other type of substantial footwear be worn to help protect your feet and maintain traction on slopes or uneven ground. Always wear hearing protection.

Mowing Area:

Thoroughly inspect the area where the equipment is to be used. Look for items such as stones, sticks, wire and other foreign objects. When struck by the mower, these and other objects may become projectiles that could lead to serious injury and/or death.


Mower:

For your safety and the long life of your mower, always inspect the mower before each use. Before inspection, make sure it is on a flat and level surface, the blades are disengaged, the ignition switch off with the key removed, and the spark plug wire is off of the spark plug(s) and hidden so that accidental contact can not be made,

General Condition:

- Walk around the mower looking for any fluid spills or leaks on or underneath the mower. Remove any and all excessive debris, dirt, and/or fluids.
- Look for signs of damage or excessive wear. Check the tightness of all nuts, bolts, pins, and screws. Tighten any that may be loose and replace any that may have been lost during use.
- Be sure the safety interlock controls are operating properly so that the engine can not be started unless the ground speed control lever is in neutral and the blades disengaged.
- Check the mower blades for any damage or abnormal wear and replace in sets so that they are balanced.
- Check the tire pressure on all four tires. See page 15 for details.
- Check all belts for proper wear and correct tension. See pages 17-19 for details.
- Check engine oil and air filters as recommended in the engine manufacturers' operators manual.

Operation of Equipment

 **DANGER: GASOLINE IS HIGHLY FLAMMABLE AND EXPLOSIVE. DO NOT ADD FUEL WHILE THE ENGINE IS RUNNING OR IS HOT. KEEP OPEN FLAMES, SPARKS, AND HEAT AWAY FROM THE FUEL AND STORE FUEL IN CONTAINERS SPECIFICALLY DESIGNED FOR THAT PURPOSE. ADD FUEL OUTDOORS ONLY AND IF THE FUEL IS SPILLED, DO NOT START THE ENGINE. MANUALLY PUSH THE MOWER AWAY FROM THE SPILL AND IMMEDIATELY WIPE UP.**

Do not operate the engine in a confined space where dangerous carbon monoxide fumes can collect. Carbon monoxide is odorless, tasteless, and can be fatal.

Mow only in daylight.

Do not park on hills without the use of wheel blocks.

Make sure the mower is in neutral and the blades are disengaged before attempting to start the engine.

Do not stop or start suddenly when going uphill. Never use riding attachments on slopes since there is an increase risk that they might roll over.

Avoid steep slopes and use extreme caution when changing directions or speed when operating on a slope.

Be extremely careful when operating on a slope or when the grass is damp or wet. Reduced traction could cause sliding. Never mow by pulling the mower back towards you...you might slip.

Watch for traffic when crossing surfaces other than grass. (i.e. transporting,) loading a trailer or vehicle, or when the mower is not in use.

Never operate the mower with defective guards, shields, or without the safety devices securely mounted in place.

Never direct discharge of material toward bystanders nor allow anyone near the mower while in operation.

Do not change the governor settings or over speed the engine.

Always stop the engine whenever you leave the mower, even for a moment.

To help reduce the risk of a fire hazard, keep the engine and the area around the engine free of grass, leaves, or any other type of foreign material.

Beware of cutting edges. Always wear gloves for safety when performing blade maintenance activities. Beware on multiple blades units since the rotation of one blade may cause the rotation of the other blade.

Do not store or operate the mower with the grass chute deflector in raised position. Serious injury could occur.



SAFETY INFORMATION DECALS

The following labels are intended to alert you to potential hazards and to provide you with important safety information. Should these decals become difficult to read or are missing from the mower, contact your Dixon® WalkAbout™ Mower dealer for a replacement.

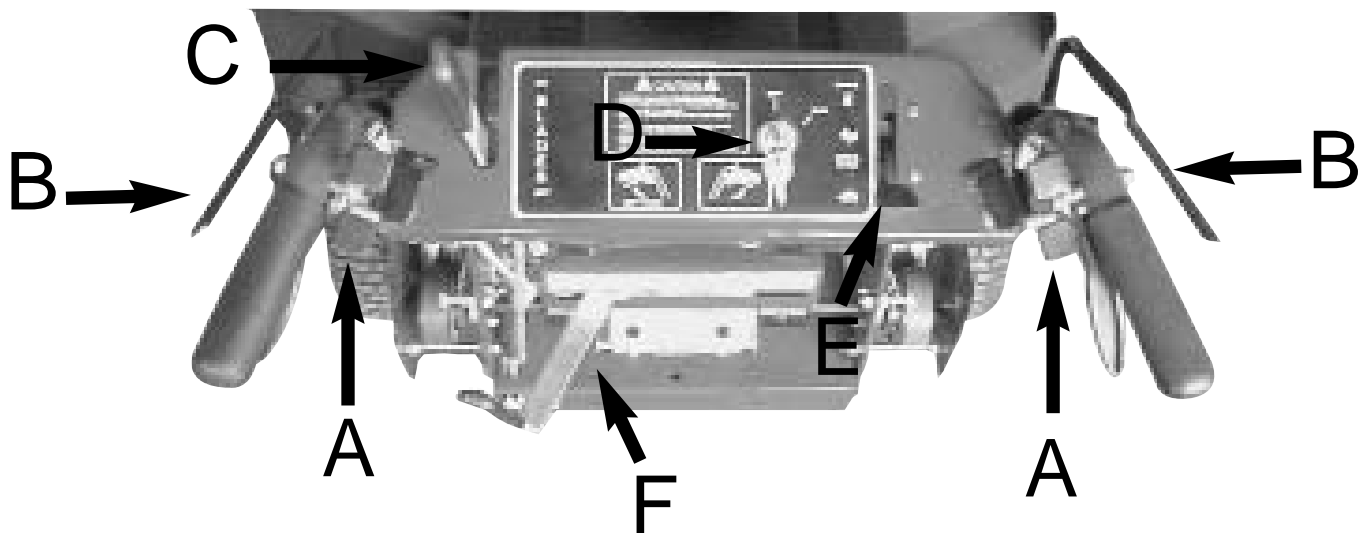


OPERATING THE MOWER

It is recommended that before you operate the mower, you allow adequate time to fully understand the controls and operation of the equipment. When reading this manual, it is recommended that you do so with the equipment nearby for quick orientation, reference of controls and maintenance adjustments.

Operating Controls

Before continuing to read the manual, it is recommended that you take adequate time to identify the controls of the mower.




- “A” Traction Lever Locks
- “B” Operator Presence Controls
- “C” Blade Control Lever

- “D” Key Switch
- “E” Throttle/Choke Control
- “F” Gear Shift Lever

Starting The Engine:

⚠ DANGER: DO NOT OPERATE THE ENGINE IN A CONFINED SPACE WHERE DANGEROUS CARBON MONOXIDE FUMES CAN COLLECT. CARBON DIOXIDE IS ODORLESS, TASTELESS, AND CAN BE FATAL.

After going through the steps as discussed on pages (6) and (7), you are now ready to start the engine. NOTE: THIS UNIT WAS SHIPPED WITHOUT THE GAS, BE SURE TO ADD FRESH GAS AND TO DOUBLE CHECK THE OIL IN THE ENGINE BEFORE ATTEMPTING TO START THE MOWER.

1. Make sure that the shut off valve, located at the bottom of the fuel tank is in the “ON” position (figure 2).
2. Make sure that the traction control lever are in the neutral position (figure 3)
3. Make sure that the gear shift lever is in the neutral “N” position (figure 4)
4. Make sure that the blade control lever is in the “OFF” position. NOTE: The safety interlock system will prevent the engine from being started if the blade control lever is not in the “OFF” position and the gear shift lever is not in the neutral “N” position.
5. Slide the engine speed control to the “” position, or to “CHOKE” if the engine is cold.
6. Turn the key clockwise to the “RUN” position.
7. Slowly pull the start cord on the engine until just past compression. STOP! Return the start cord and then pull firmly with a smooth, steady motion to start the engine.
8. When the engine starts to run, slowly return the engine speed control out of “CHOKE” to the desired engine speed.

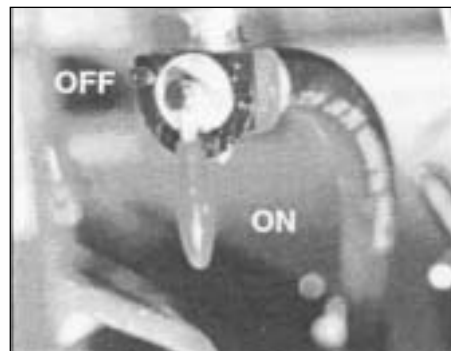


Figure 2



Figure 3



Figure 4

Going Forward:

CAUTION Become totally familiar with the operation and characteristics of the mower before attempting to actually mow with it.

1. Making sure that the traction control levers are in the neutral position, push down and hold the operator presence control lever “A” on the handle grips with one hand (Figure 5).
2. With the other hand, move the gear shift lever to the desired speed. “1” is slow and “5” is for transporting the mower between mowing areas (Figure 4). It is recommended that you start out in “1” and then increase your ground speed to match the mowing conditions.
3. Release the traction control lever locks by squeezing up both traction control levers “C” only as much as needed while at the same time applying forward pressure in the traction control lever locks “B” with your thumbs.
4. Slowly and evenly, let both traction control levers down simultaneously and the mower will start to go forward (Figure 5). NOTE: If the operator lets go of both operator presence control levers while either the blade control lever is in “ON”, and/or the gear shift control lever is out of the neutral position the safety interlock system will stop the engine. To restart the mower, reset all controls to the “OFF” position and neutral “N” positions.

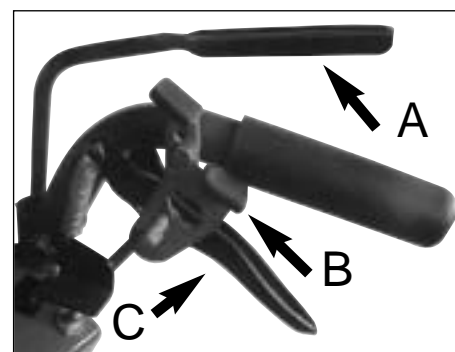


Figure 5

Turning The Mower

To turn the mower in the direction you want to go, gently squeeze the side's traction control lever (i.e. to go right, squeeze the right traction control lever; to go left, squeeze the left traction control lever). The more a particular traction control lever is squeezed, the sharper a turn the mower will make.

Stopping The Mower

To stop the mower, gently and evenly squeeze up on both of the traction control levers until the mower comes to a complete stop. Then with your thumbs, push down on the traction lever locks until the levers are securely locked in the neutral position. While still holding down with one hand the operator presence controls, move the gear shift lever to the "N" position with the other hand. If the operator is leaving the operator's position behind the mower for any reason, disengage the blades, shut the engine off, and remove the key.

If you are leaving the operator's position, try to park the mower on level ground. If it is not possible to do such, be sure to block the wheels to prevent the mower from rolling away.

Using The Reverse Assist

1. Slowly and evenly squeeze up on both control levers until the mower comes to a complete stop and then with your thumbs, push down on the traction lever locks until the levers are securely locked in the neutral position.
2. While still holding down the operator presence control with one hand, use the other and pull the blade control lever to the "OFF" position.
3. Shift the gear shift lever to the reverse "R" position.
4. Release the traction control lever locks by squeezing by both traction control levers only as much as needed while at the same time, applying forward pressure on the traction control lever locks with your thumbs.
5. Slowly and evenly, let both traction control levers down simultaneously and the mower will start to go in reverse. **Always use extreme caution when moving the mower backwards and never move the mower downhill backwards.**
6. To stop the mower, slowly and evenly squeeze up on both control levers until the mower comes to a complete stop and then with your thumbs, push down on the traction lever locks until the levers are securely locked in the neutral position and return the gear shift lever to neutral "N".

Mowing

⚠ DANGER: THOROUGHLY INSPECT THE AREA WHERE THE EQUIPMENT IS TO BE USED. LOOK FOR ITEMS SUCH AS STONES, STICKS, WIRE, AND OTHER FOREIGN OBJECTS. WHEN STRUCK BY THE MOWER, THESE AND OTHER OBJECTS MAY BECOME PROJECTILES THAT COULD LEAD TO SERIOUS INJURY AND OR DEATH. CLEAR AREA OF ALL DEBRIS AND KEEP PEOPLE AND PETS AWAY.

⚠ DANGER: DO NOT OPERATE THE MOWER WITH DEFECTIVE GUARDS, SHIELDS, OR WITHOUT THE SAFETY DEVICES SECURELY IN PLACE.

For the highest quality of cut and performance, always mow with the engine at full throttle. Quality of cut may be determined by the ground speed and speed of the mower. Generally, the slower the mower travels across the terrain, the better the cut.

With the mower at the beginning of the area to be mowed and traction control levers in the neutral position, hold down with one hand the operator presence control.

With the other hand, slowly push the blade control lever forward to the "ON" position.

Move the gear shift lever to the desired speed. Always begin at a slow ground speed and increase only as the condition of the terrain warrants.

Slowly and evenly, engage the traction control levers and begin mowing.

To stop mowing, slowly and evenly squeeze up on both traction control levers until the mower comes to a complete stop and then with your thumbs, push down on the traction lever locks until the levers are securely locked in the neutral position. Return the gear shift lever to the neutral "N" position.

Pull the blade control lever back to the "OFF" position.



Changing The Height Of Cut:

! DANGER: BEFORE MAKING ANY ADJUSTMENTS AND/OR SERVICING YOUR MOWER, MAKE SURE THE MOWER IS ON LEVEL GROUND, BLADES DISENGAGED, KEYS REMOVED, AND THE ENGINE OFF WITH THE SPARK PLUG WIRE(S) REMOVED FROM THE SPARK PLUGS(S) TO PREVENT ACCIDENTAL CONTACT.

When your Dixon walkabout mower is shipped from the factory, the mowing height is set at 2-1/2". The mowing height may be raised or lowered using a combination of front wheel spacers and blade bolt assembly spacers. It is recommended that you first set your height of cut to the highest level using the blade spacers and then lower the height of cut using the front wheel spacers.

Measuring The Height Of Cut:

! DANGER: BEFORE MAKING ANY ADJUSTMENTS AND/OR SERVICING YOUR MOWER, MAKE SURE THE MOWER IS ON LEVEL GROUND, BLADES DISENGAGED, KEYS REMOVED, AND THE ENGINE OFF WITH THE SPARK PLUG WIRE(S) REMOVED FROM THE SPARK PLUGS(S) TO PREVENT ACCIDENTAL CONTACT.

CAUTION Beware of the cutting edges on the blades. The rotation of one blade may cause the other blade(s) to rotate. Always wear work gloves when handling blades.

1. Park the mower on level ground.
2. **With the blade control lever in the "OFF" position, the engine off with the key removed, and the spark plug wire (s) removed from the spark plug(s)**, reach through the discharge chute and slowly rotate the blade so that the length of the blade is going from the front of the mower towards the rear.
3. Using a tape measure or small ruler, measure the distance from the front tip of the blade's cutting edge to the ground. As a general rule, if measuring the cutting height on a hard surface such as concrete, the mower will usually mow about 1/4" lower in grass due to the weight of the machine.

Removing And Adjusting The Blades:

CAUTION Beware of the cutting edges on the blades. The rotation of one blade may cause the other blade(s) to rotate. Always wear work gloves when handling blades.

1. Park the mower on level ground and block the rear wheels to prevent accidental rollback.
2. Raise the front end of the mower using a jackstand
3. Using two (2) 15/16" box end wrenches, use one wrench to loosen nut "A" while holding blade bolt "C" with the other wrench (Figure 6).
4. Slide the blade bolt down through the mower deck and out.
5. To raise the blades to the height desired, remove the appropriate amount of spacers from the blade bolt.
Example: If the height of cut needs to be raised 1/2", move two (2) of the 1/4" spacers "B" on each blade from underneath the mower (Figure 6) to the top of the mower (Figure 7).
6. Reinsert the blade bolt through the cutting deck.
7. Install the blade spacers that were removed, back onto the blade bolt followed by the nut and tighten (Figure 6).
IMPORTANT: The amount of spacers should always be the same on each blade bolt. Never put the spacers below the blade.

Adjusting The Front Wheels: (refer to Figure 8)

1. Raise and support the front of the mower with a jackstand.
2. While supporting the front wheel with one hand, remove the flip pin from the wheel shaft.
3. Remove the wheel from the front wheel support arm being careful not to lose the spacers.
4. Remove the amount of spacers desired to lower the height of cut.
5. Reinsert the wheel through the support arm.
6. Reinstall the spacers on the top that were removed from the bottom and then secure with the flip pin.
7. To raise the height, repeat steps 1-3, but take the spacers from the top of the wheel support arm, and put them on the bottom.

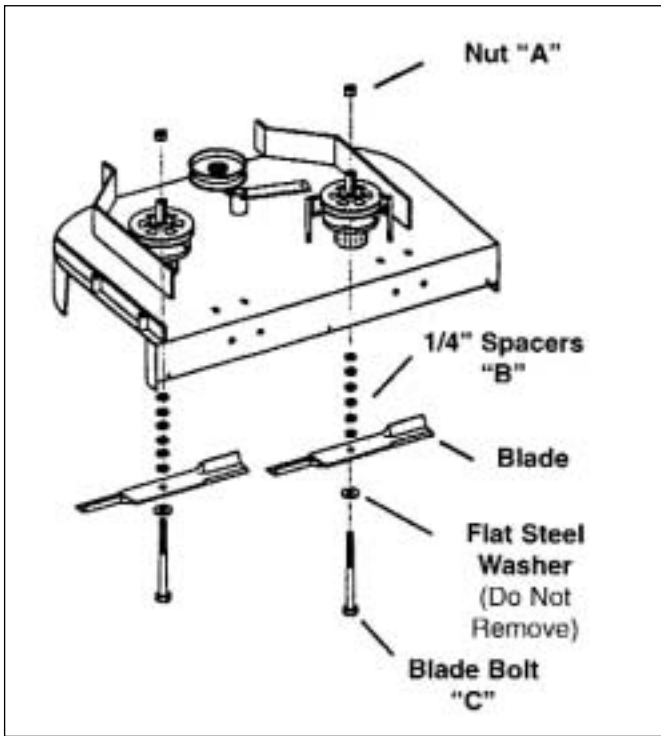


Figure 6

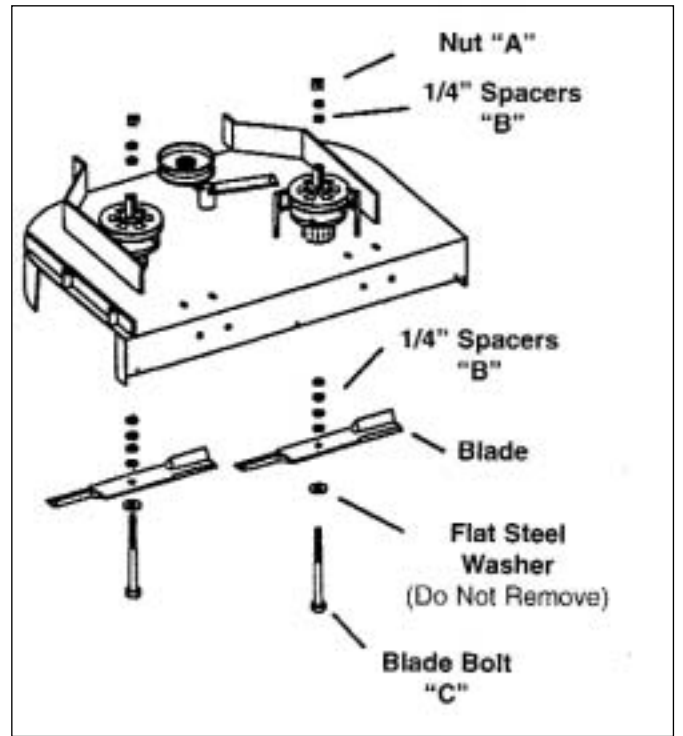


Figure 7

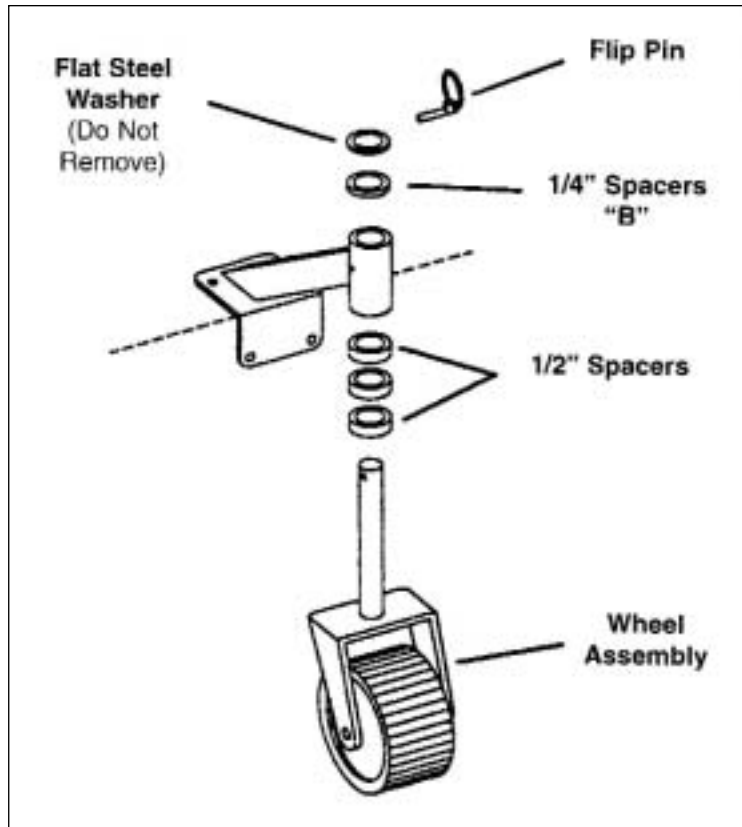


Figure 8

GENERAL MAINTENANCE

Proper maintenance and adjustment of your Dixon® WalkAbout™ mower is necessary to keep the mower in good and safe condition. The maintenance of the mower is the responsibility of the owner/operator and must be performed at regular intervals. When replacing any parts of servicing your mower, be sure to use only genuine Dixon® WalkAbout™ mower replacement parts to assure quality and performance of your mower.

DANGER: BEFORE MAKING ANY ADJUSTMENTS AND/OR SERVICING YOUR MOWER, MAKE SURE THE MOWER IS ON LEVEL GROUND, BLADES DISENGAGED, KEY REMOVED, AND THE ENGINE OFF WITH THE SPARK PLUG WIRE(S) REMOVED FROM THE SPARK PLUGS(S) TO PREVENT ACCIDENTAL CONTACT. IF ADJUSTMENT OR MAINTENANCE IS BEING PERFORMED AFTER OPERATION OF THE MOWER, ALLOW THE UNIT TO COOL SINCE HEAT BUILD UP COULD CAUSE SEVERE BURNS.

Maintenance Schedule

Item	Procedure	Time Interval				
		Break-in (first 5 hrs)	Every 8 hours (Daily)	Every 40 hours (Weekly)	Every 100 hours (Bi-weekly)	Every 200 hours (Monthly)
Belts	Inspect (adjust if needed)	•	•			
Blades	Inspect and Sharpen		•			
Engine Air Filter	Inspect (See Engine Owner's Manual)		•			
Engine Cooling Areas	Clean (See Engine Owner's Manual)				•	
Engine Oil	Check(See Engine Owner's Manual)		•			
	Change (See Engine Owner's Manual)	•			•	
Engine Oil Filter	Change (See Engine Owner's Manual)	•				•
Engine Spark Plug (s)	Inspect (See Engine Owner's Manual)					•
Fuel Filter	Replace				•	
Fuel Line	Check				•	
	Replace	Every 2 years				
Grease Fittings	Refer to Page 16					
Hardware	Check for proper tightness	•		•		
Mower Main Frame	Remove debris from under belt cover		•			
Safety Interlock System	Check Operation and Switches		•			
Tires	Check Air Pressure			•		



Fuel

⚠ DANGER: GASOLINE IS HIGHLY FLAMMABLE AND EXPLOSIVE. DO NOT ADD FUEL WHILE THE ENGINE IS RUNNING OR IS HOT. KEEP OPEN FLAMES, SPARKS, AND HEAT AWAY FROM THE FUEL AND STORE FUEL IN CONTAINERS SPECIFICALLY DESIGNED FOR THAT PURPOSE. ADD FUEL OUTDOORS ONLY AND IF THE FUEL IS SPILLED, DO NOT START THE ENGINE. MANUALLY PUSH THE MOWER AWAY FROM THE SPILL AND IMMEDIATELY WIPE UP.

Refer to the Engine Owner's Manual for the type of fuel to use.

A fuel shut off valve is located on the bottom of the fuel tank. (Refer to Figure 2, page 10). It is recommended that the fuel be shut off when transporting between job sites and when storing the mower for extended periods of time.

Engine Oil

CHECK THE ENGINE OIL BEFORE EACH USE. Refer to the Engine Owner's Manual for the type of oil, oil change intervals, and the proper procedures to check and change oil.

Air Filter

Refer to the Engine Owner's Manual for the recommended maintenance.

Tire Pressure

The recommended tire Pressure for all four (4) wheels is 28 P.S.I. Incorrect tire pressure may cause the mower to pull to one side and/or an uneven cut. **Always use caution when filling the tire and never exceed the recommended tire pressure.**

Blade

⚠ DANGER: BEFORE WORKING ON THE BLADES, MAKE SURE THE ENGINE IS OFF, KEY REMOVED, AND THE SPARK PLUG(S) WIRES REMOVED FROM THE SPARK PLUG (S) TO PREVENT ACCIDENTAL CONTACT.

CAUTION Beware of the cutting edges on the blades. Always wear work gloves when performing blade maintenance.

Blades should be inspected on a daily basis for nicks, bends, and or excessive wear. If the blades is worn, cracked, bent, or damaged, replace with a new blade immediately before using the mower. Use only genuine Dixon® WalkAbout™ Mowers replacement blades since substitute blades may not meet Dixon® WalkAbout™ specifications and may be dangerous.

To remove the blades, refer to page 12, section "Removing And Adjusting The Blades."

When sharpening the blades, sharpen only the cutting edges and try to maintain the original angle of the blade. Do not make the cutting edge "razor sharp" and remove the same amount from each side of the blade so that balance is maintained.

Cleaning The Mower

It is recommended that the mower be cleaned in a daily basis. Excessive accumulation of dirt, debris, oil, etc., causes premature wear on the components and may present a potential safety hazard.



Lubrication Points

To assure proper lubrication on moving parts, it is recommended that you lubricate the following components with a high-quality EP2 high temperature based grease or equivalent. Should the conditions of operation be more severe than normal, the lubrication interval may be shorter than recommended. GTR/OPE Grease is the recommended lubricant.



Transmission Output Shaft
(Left & Ride Sides)
Every 40 hrs./Weekly



Blade Engagement Bellcrank
Every 40 hrs./Weekly



Blade Engagement Pivot
(Left & Right Sides)
Every 40 hrs./Weekly



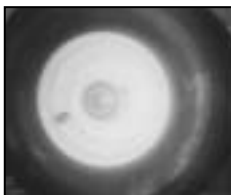
Idler Arm Pivot
(Left & Right Sides)
Every 40 hrs/Weekly



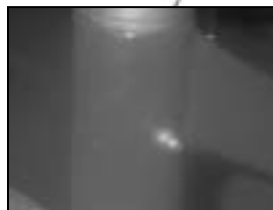
Cutterhousings
Every 100 hrs./Monthly



Wheel Brake Pivot
(Left & Right Sides)
Every 40 hrs/Weekly



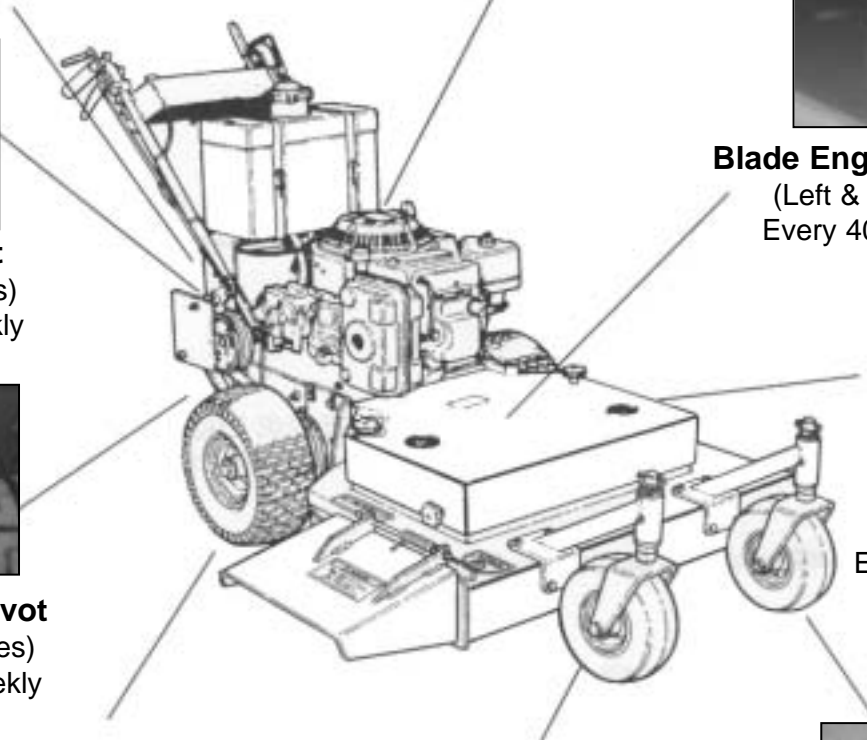
Drive Wheel
(Left & Right Sides)
Every 40 hrs/Weekly



Front Caster Support
(Left & Right Sides)
Every 40 hrs/Weekly



Front Caster Wheel
(Left & Right Sides)
Every 40 hrs/Weekly



SERVICE ADJUSTMENTS

⚠ DANGER: BEFORE MAKING ANY ADJUSTMENTS AND/OR SERVICING YOUR MOWER, MAKE SURE THE MOWER IS ON LEVEL GROUND, BLADES DISENGAGED, KEY REMOVED, AND THE ENGINE OFF WITH THE SPARK PLUG WIRE(S) REMOVED FROM THE SPARK PLUG(S) TO PREVENT ACCIDENTAL CONTACT. IF ADJUSTMENTS OR MAINTENANCE IS BEING PERFORMED AFTER OPERATION OF THE MOWER, ALLOW THE UNIT TO COOL SINCE HEAT BUILD UP COULD CAUSE SEVERE BURNS.

Drive Belt Adjustment: (Refer to Figure 9)

1. Release the right side traction control lever into the engaged position. Move the gear shift lever into first "1" gear, and pull the mower backwards until the mower stops.
2. Remove hair pin cotter "A" and the flat washer from swivel "B".
3. Remove swivel "B" from idler arm "C".
4. Move traction control rod "D" until there is approximately 1/2" clearance between the bottom of the traction control rod and the bottom of the slot in traction control lever lock "A" (figure 10).
5. While holding the rod in place, rotate swivel "B" on the traction control rod "D" until the swivel realigns with the hole in idler arm "C". Push the swivel through the idler arm hole and secure with the flat washer and hair pin cotter. Repeat for the other side.

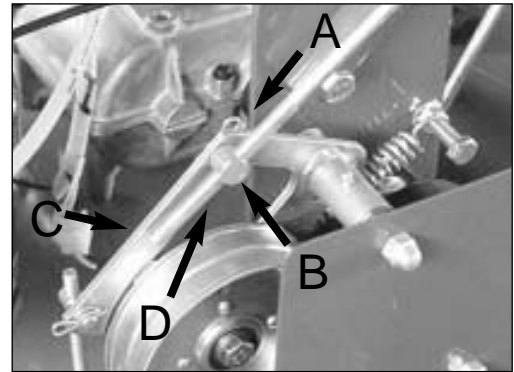


Figure 9

Wheel Brake Adjustment: (Refer to Figure 11)

1. Release the left side traction control lever into the engaged position.
2. Remove the hair pin cotter "A" from swivel "B".
3. Remove swivel "B" from idler arm "C".
4. To increase the amount of brake, rotate swivel "B" clockwise approximately 2 to 3 turns and insert swivel "B" back into idler arm "C".
5. Check the traction control lever for the proper amount of brake. Should more brake be necessary, repeat steps 3 and 4.
6. Once the proper amount of brake has been achieved, be sure to secure swivel "B" to idler arm "C" with the flat washer and hair pin cotter.
7. Repeat for the other side if needed.

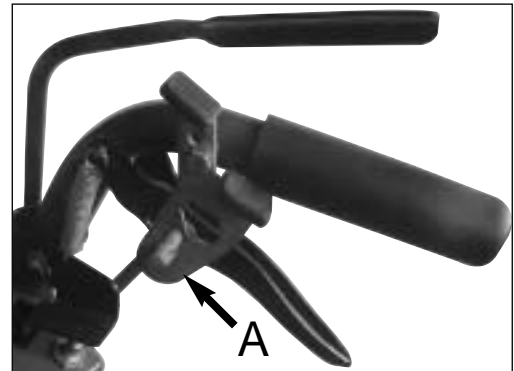


Figure 10

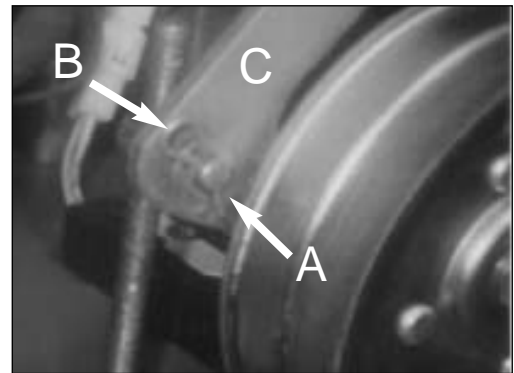


Figure 11





Engine To Blade Belt Adjustment (Refer to Figure 12)

DANGER: BEFORE MAKING ANY ADJUSTMENTS AND/OR SERVICING YOUR MOWER, MAKE SURE THE MOWER IS ON LEVEL GROUND, BLADES DISENGAGED, KEY REMOVED, AND THE ENGINE OFF WITH THE SPARK PLUG WIRE(S) REMOVED FROM THE SPARK PLUG(S) TO PREVENT ACCIDENTAL CONTACT. IF ADJUSTMENTS OR MAINTENANCE IS BEING PERFORMED AFTER OPERATION OF THE MOWER, ALLOW THE UNIT TO COOL SINCE HEAT BUILD UP COULD CAUSE SEVERE BURNS.

1. Remove the deck cover and move the blade control lever on the control console to the "ON" position.
2. With approximately 10 lbs. of pressure being applied on the engine to blade belt midway between the pulleys, (refer to the appropriate figure for your mower) the belt should move approximately 1/2".
3. If the belt moves more than 1/2", move the blade control lever back to the "OFF" position.
4. Remove hair pin cotter "A" and the flat washer from swivel "B" and pull the swivel from idler arm "C".
5. Rotate swivel "B" clockwise, or towards the rear of the mower, approximately 2 to 3 turns. Reinsert swivel "B" back into idler arm "C" and secure with the flat washer and hair pin cotter.
6. Repeat steps 1 and 2 to check for proper tension. If more tension is needed, repeat steps 3-5 until the proper amount is achieved.
7. Replace deck cover.

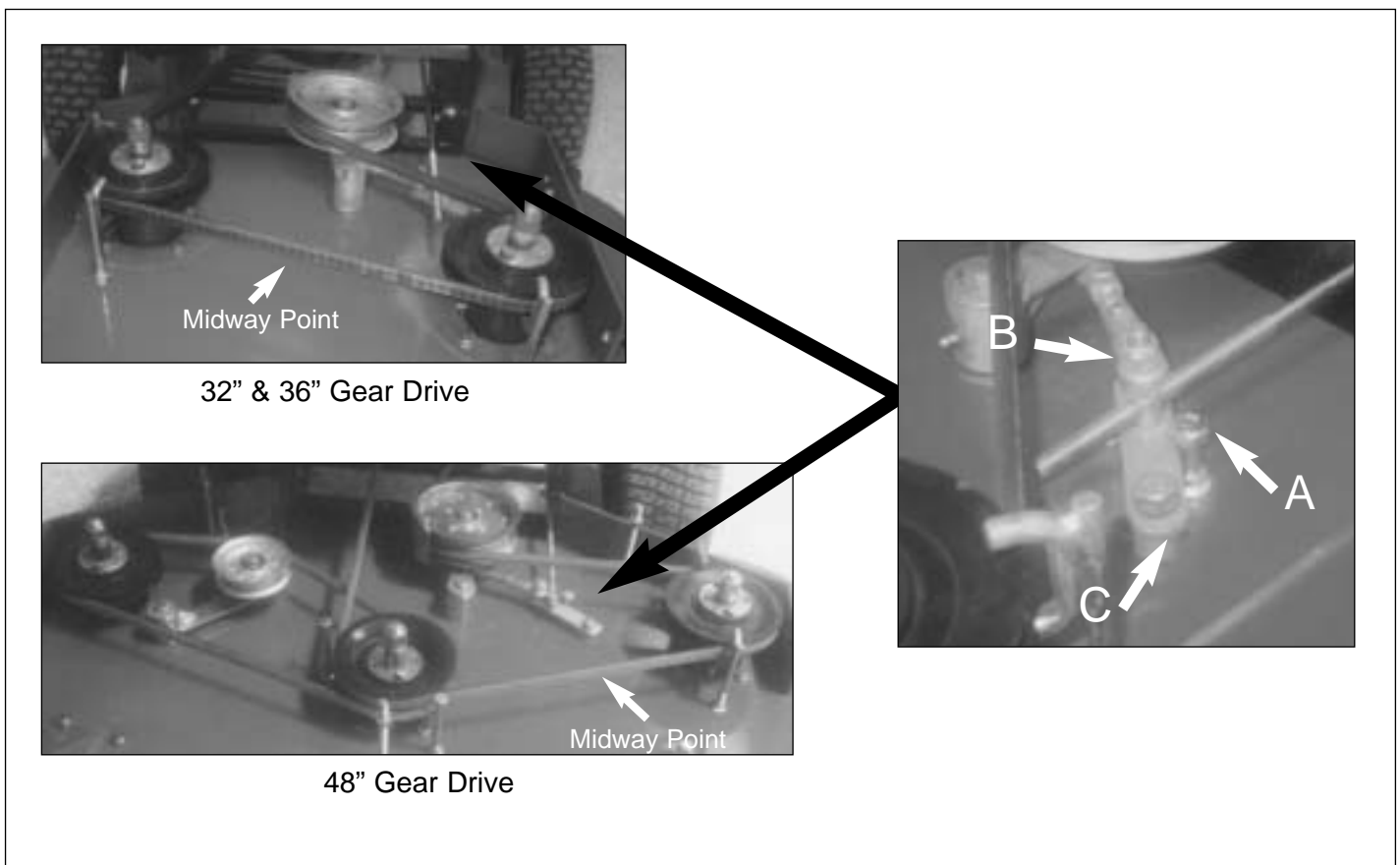


Figure 12

48" Blade To Blade Belt Adjustment: (Refer to figure 13)

1. Remove the deck cover.
2. With approximately 10 lbs. of pressure being applied on the blade to blade belt, midway between the pulleys, the belt should move approximately 1/2".
3. If the belt moves more than 1/2", turn nut "A" clockwise approximately 1-2 turn.
4. Recheck the tension on the blade to blade belt. If it is still loose repeat step 3. Important: Do not overtighten the blade to blade belt. Over tension can cause premature wear on belts and blade spindles.
5. Replace deck cover

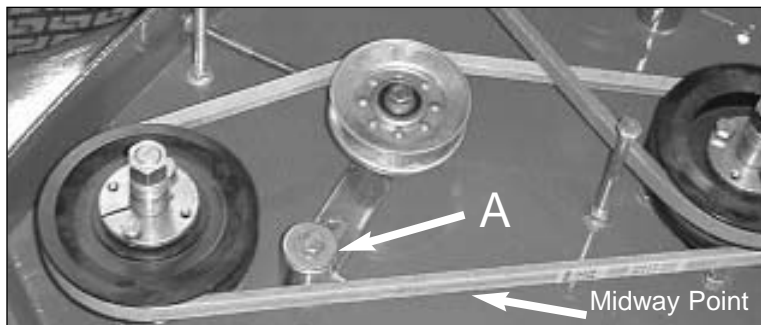


Figure 13

Engine To Transmission Belt Adjustment: (Refer to figure 14)

1. The engine to transmission belt, located underneath the rear deck, should move 3/16" with 5 lbs. of pressure applied midway on the belt between the transmission pulley and the engine output shaft pulley.
2. To adjust the belt, loosen nut "A" on idler pulley "B".
3. Slide idler pulley "B" to tighten or loosen and secure in place by tightening nut "A".

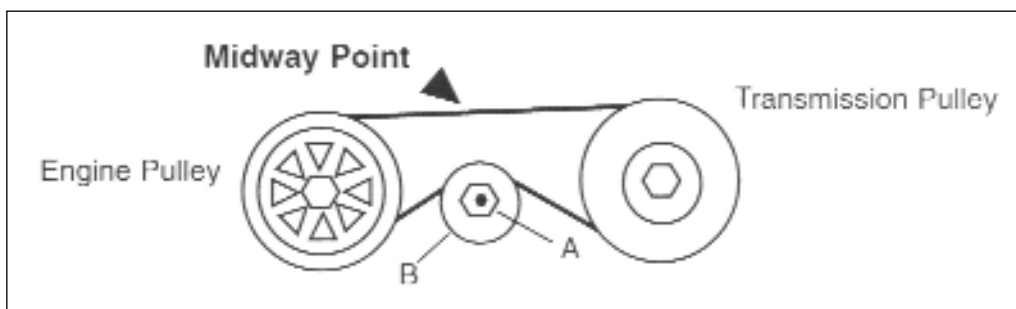


Figure 14

Safety System Adjustment: (Refer to figure 15)

DANGER: DO NOT BYPASS, MODIFY, ALTER, OR DISCONNECT THE SAFETY SYSTEM. MAKE SURE THAT THE SAFETY INTERLOCK SYSTEM IS FULLY OPERATIONAL EACH TIME BEFORE MOWING, FAILURE TO DO SO COULD PRESENT DANGER TO YOU AND OTHERS AROUND YOU.

1. Move the blade control lever to "OFF".
2. Loosen screws "A" until safety switch "B" moves freely.
3. Slide safety switch "B" firmly against blade bellcrank "C".
4. Tighten screws "A" and check that safety switch "B" does not move.

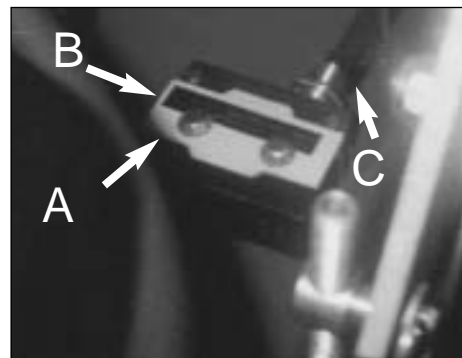


Figure 15



TROUBLE SHOOTING

Problem	Possible Cause	Solution
Engine Does Not Start	Key in the OFF position Transmission shift lever not in the neutral position Blade control not in the OFF position Fuel tank empty Fuel shut-off valve closed Safety interlock switches out of adjustment Throttle control not in the choke position Spark plug loose or disconnected Bad spark plug Dirty air filter Clogged fuel filter Bad fuel	Turn key to ON Move lever into the neutral (Page 10). Move blade control lever to OFF Fill fuel tank Open fuel shut off (Page 10) Adjust switches (Page 19) Move throttle control to choke Connect spark plug wire Replace Replace Replace Drain and refill with fresh fuel
Engine Starts Hard Or Loose Power	Dirt or water in the fuel tank Clogged or dirty fuel filter Air filter dirty Faulty spark plug Incorrect oil level	Drain and clean fuel tank Replace Replace Replace Check and adjust
Engine Overheats	Dirt in fuel line Dirty grass screen Incorrect oil level Dirty air filter Faulty spark plug	Clean and replace Clean Check and adjust Check and adjust Replace

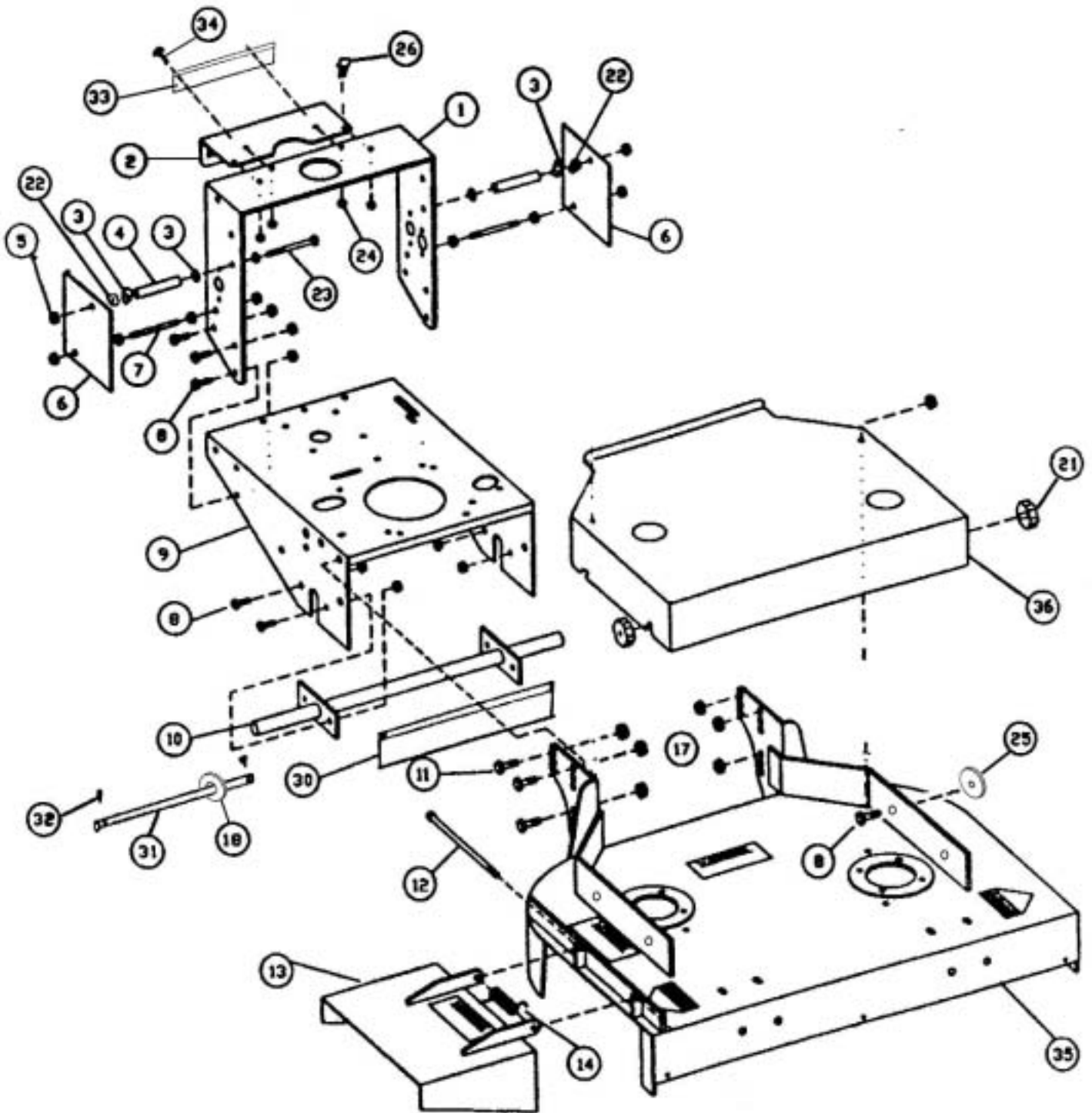


TROUBLE SHOOTING

Problem	Possible Cause	Solution
Mower Does Not Move When Traction Levers Are Released	Transmission is in neutral Engine to transmission belt loose Incorrect drive wheel belt adjustment Drive belts worn or damaged	Move transmission lever (page 9) Check and adjust (page 17) Check and adjust (page 17) Check and replace if necessary
Mower Pulls To One Side	Drive belt broken or slipping	Replace or adjust (page 17)
Blades Do Not Turn	Tire pressure not the same in both drive wheels	Check and adjust (page 15)
Uneven Cut	Blade belt broken or slipping Excessive build-up underneath mowing deck	Replace or adjust Check and clean
Rough Cut	Unequal space configuration on blades or front casters Ground speed too fast for mowing conditions Blades bent Tire pressure in wheels not equal Unequal spacer configuration on blades or front casters Blades dull Engine not running 3600 r.p.m. Blades installed upside down Excessive build-up underneath	Check and adjust (page 13) Reduce travel speed Check and replace (page 12) Check and adjust (page 15) Check and adjust (page 13) Sharpen or replace (page 15) Move throttle to fast Remove and replace rightside up (page 12) Check and clean mowing deck



36" Frame Assembly

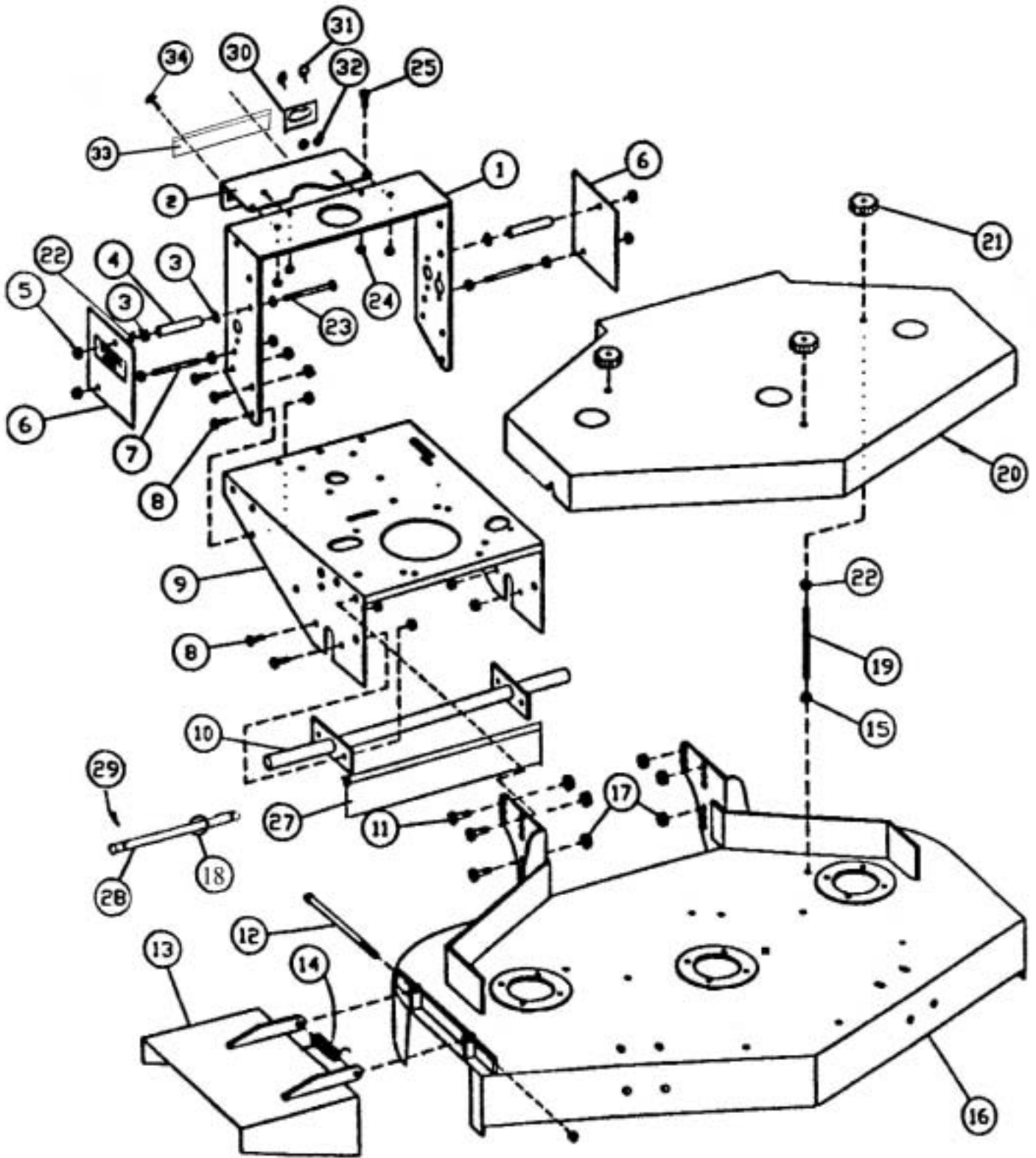


36" Frame Assembly

Item No.	MFG Code	Part Number	Description	Qty
1	100-001-Blue	11501	Tank Handle Mount Bracket	1
2	100-002-Blue	11502	Shift Console	1
3	100-003	11503	Plain Washer 2*10.5 id *26 od	4
4	100-004	11504	Pivot Tube	2
5	200-001	11701	Nut M10 GB923-88	4
6	100-005-Blue	11505	Fender	2
7	200-002	11702	Double end bolt m10*120 GB 901-88	2
8	200-003	12808	Hexagon Bolt M10*25 GB5783-86	14
9	100-006-Blue	11506	Rear Deck	1
10	132-001	11621	Axle Weldment	1
11	200-004	11704	Hexagon Head Bolt M12*25 GB5783-86	6
12	200-005	11705	Hexagon Head Bolt M10*240 GB5782-86	1
13	100-007-Blue	11507	Chute Deflector	1
14	100-008	11508	Torsion Spring	1
15	200-006	11706	Nylon Nut, M10 GB889-86 (not shown)	17
17	200-007	11707	Nylon Nut, M12 GB889-86	6
18	200-021	3020	Plain Washer 8 GB95-85	2
21	100-009	11509	Saucer Nut	4
22	200-006	11706	Nylon Nut M10 GB889-86	2
23	200-008	11708	Hexagon Bolt M10*110 GB5782-86	2
24	200-009	11709	Nylon Nut M6 GB889-86	4
25	200-010	3057	Plain Washer 10 GB95-85	4
26	200-011	11711	Bolt M6*16 GB/T794-93	4
30	100-011	11511	Safety Flap	1
31	100-012	11512	Rod Safety Flap	1
32	200-014	11714	Cotter Pin 2*20 GB91-86	2
33	100-116	11616	Shift Plate	1
34	200-063	11763	Rivet 2*5 GB827-86	2
35	136-001-Blue	11631	Deck 36"	1
36	136-002-Blue	11632	Hood 36"	1



48" Frame Assembly

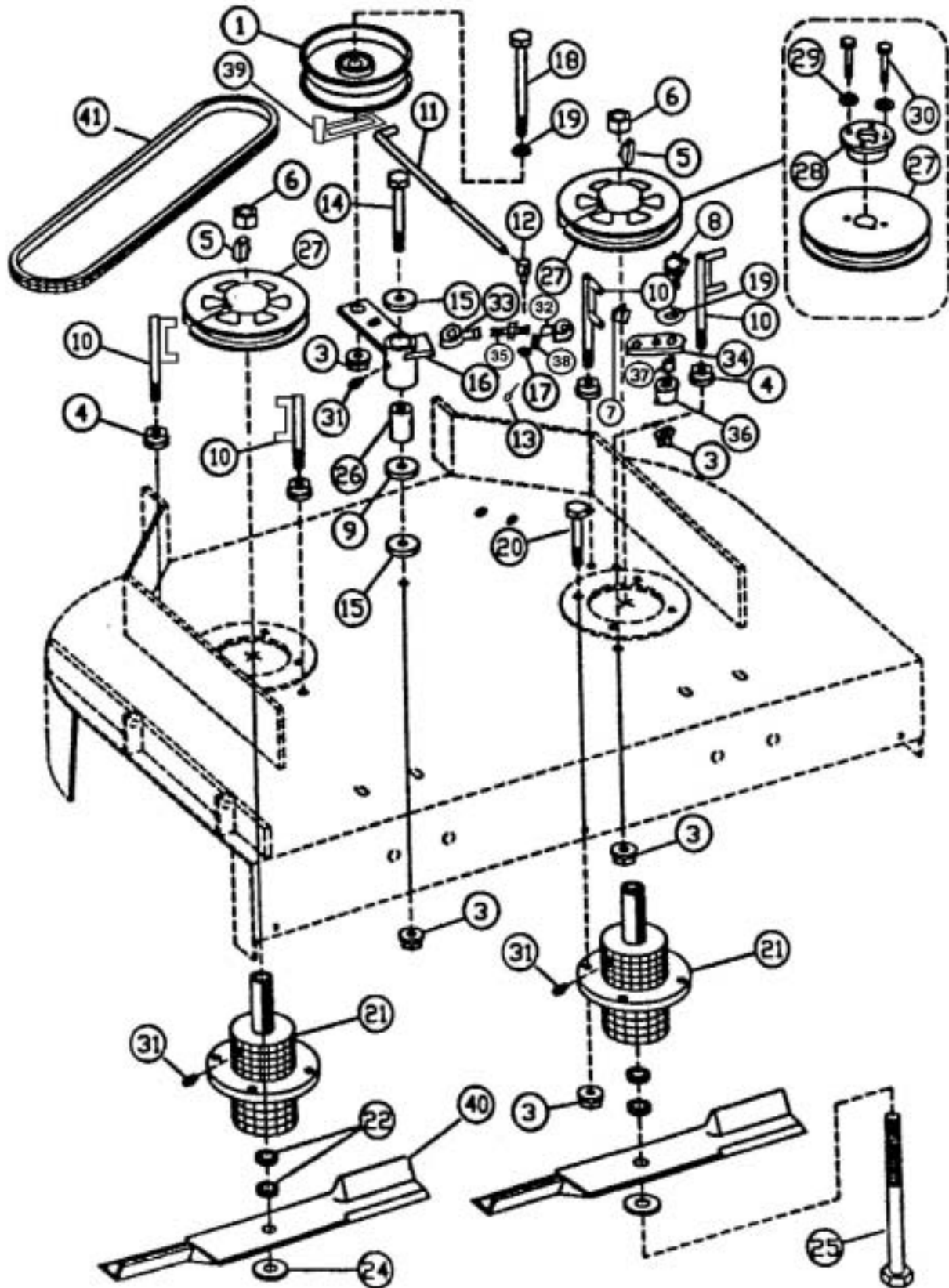


48" Frame Assembly

Item No.	MFG Code	Part Number	Description	Qty
1	100-001	11501	Tank Handle Mount Bracket	1
2	100-002	11502	Shift Console	1
3	100-003	11503	Plain Washer 2*10.5 id *26 od	4
4	100-004	11504	Pivot Tube	2
5	200-001	11701	Nut M10 GB923-88	4
6	100-005	11505	Fender	2
7	200-002	11702	Double End Bolt M10*120 GB901-88	2
8	200-003	12808	Hexagon Bolt M10*25 GB5783-86	10
9	100-006	11506	Rear Deck	1
10	148-001	11641	Axle Weldment 48"	1
11	200-004	11704	Hexagon Bolt M12*25 GB5783-86	6
12	200-005	11705	Hexagon Bolt M10*240 GB5782-86	1
13	100-007	11507	Chute Deflector	1
14	100-008	11508	Torsion Spring	1
16	148-002	11642	Deck 48"	1
17	200-007	11707	Nylon Nut M12 GB889-86	6
18	200-021	3020	Plain Washer 8 GB-95-85	2
19	200-015	11715	Hexagon Bolt M10*140 GB5783-86	3
20	148-003	11643	Hood 48"	1
21	100-009	11509	Saucer Nut	3
22	200-006	11706	Nylon Nut M10 GB889-86	5
23	200-008	11708	Hexagon Bolt M10*110 GB5782-86	2
24	200-009	11709	Nylon Nut M6 GB889-86	4
25	200-011	11711	Bolt M6*16 GB/T794-93	4
26	200-006	11706	Nylon Nut M10 GB889-86 (Not Shown)	17
27	100-011	11511	Safety Flap	1
28	100-012	11512	Rod safety Flap	1
29	200-014	11714	Cotter Pin 2*20 GB91-86	2
30	100-010	11510	Shift Lever Stop	1
31	200-012	11712	Bolt M5*15 GB818-85	2
32	200-013	11713	Nylon Nut M5 GB889-86	2
33	100-116	11616	Shift Plate	1
34	200-063	11763	Rivet 2*5 GB827-86	2



36" Front Deck Assembly

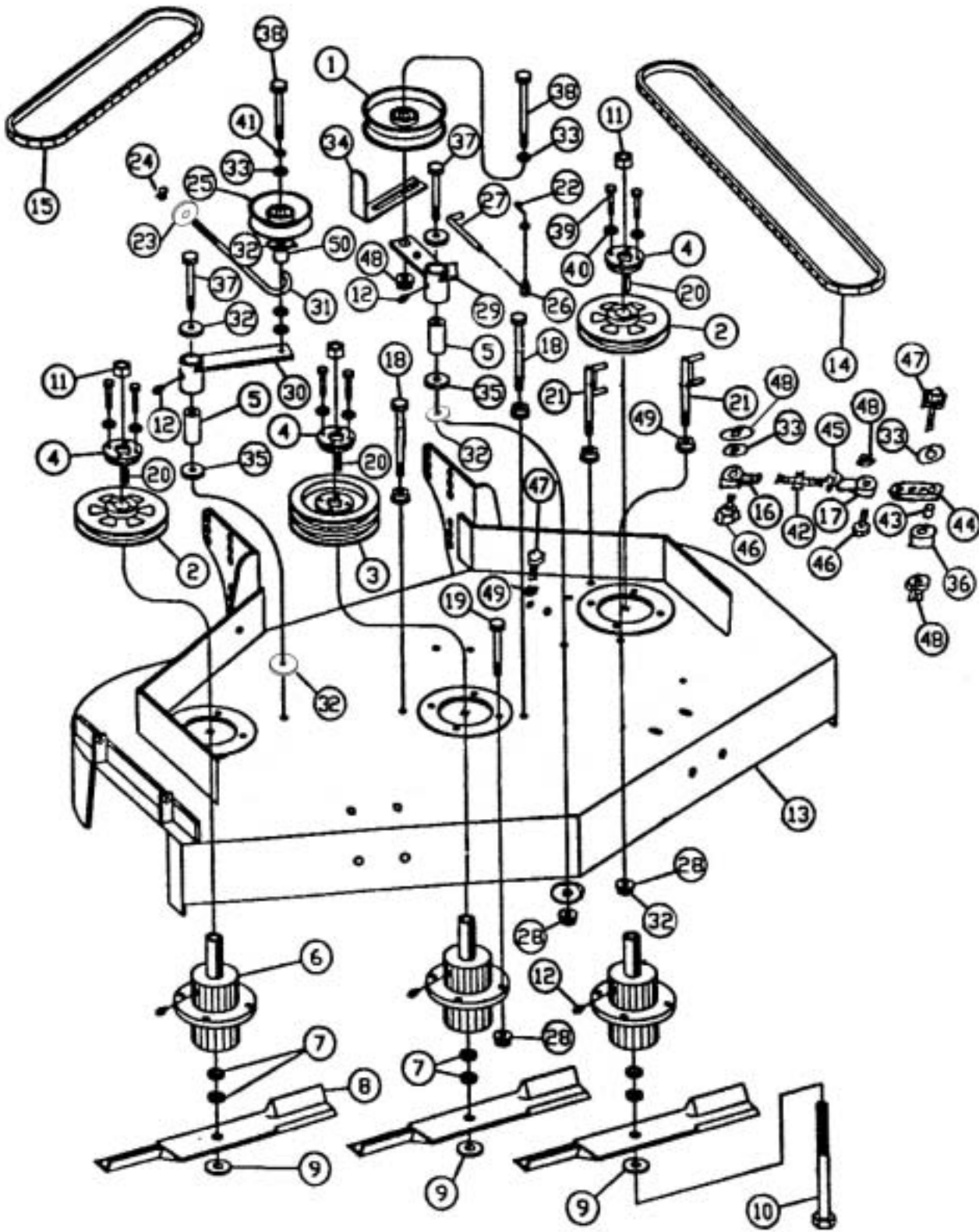


36" Front Deck Assembly

Item No.	MFG Code	Part Number	Description	Qty
1	100-013	11513	Idler Pulley I with Flange	1
3	200-006	11706	Nylon Nut M10 GB889-86	17
4	200-016	11716	Nut Flange M10 GB6187-86	4
5	100-014	11514	Key 6.35*6*50	2
6	200-017	11717	Hexagon Nut M16*1.5	2
7	200-018	11718	Hexagon Bolt M10*35 GB5783-86	2
8	200-019	11719	Hexagon Bolt M10*40 GB5782-86	1
9	100-015	11515	Plain Washer 2*26 id *38 od	1
10	100-016	11516	Belt Guide, Spindle	4
11	100-017	11517	Blade Rod	1
12	100-018	11518	Swivel	1
13	200-014	11714	Cotter Pin 2*20 GB91-86	1
14	200-020	3240	Hexagon Bolt M10*70 GB782-86	1
15	100-019	11519	Plain Washer 3*10.5 id *38 od	2
16	100-020	11520	Blade Idler Arm Weldment	1
17	200-021	3020	Plain Washer 8 GB95-85	1
18	200-022	11722	Hexagon Bolt M10*65 GB5782-86	1
19	200-010	3057	Plain Washer 10 GB95-85	5
20	200-018	11718	Hexagon Bolt M10*35 GB5783-86	8
21	100-021	11521	Cutting House Assembly	2
22	100-022	11522	Spacer 6	10
24	100-023	11523	Plain Washer 3*16.5 id *50 od	2
25	200-023	11723	Bolt M16*1.5*245	2
26	100-024	11524	Pivot Hub	1
27	100-025	11525	Pulley, Single	2
28	100-026	11526	H-Bushing	2
29	200-024	3019	Lock Washer 8 GB 93-87	4
30	200-025	7372	Hexagon Bolt M8*30 GB5783-86	4
31	200-026	11726	Grease Fitting M6 GB1152-89	3
32	100-027	11527	Rod End RH	1
33	100-028	11528	Rod End LH	1
34	100-029	11529	Link Idler Arm	1
35	100-030	11530	Turn Buckle Rod	1
36	100-031	11531	Spacer 12	1
37	100-032	11532	Link Bushing 7*10.5 id*14 od	1
38	200-027	11727	Nut Thin M10 GB6172-86	1
39	100-033	11533	Belt Guide I	1
40	136-003	11633	Blade 36"	2
41	136-004	11634	Belt 36" Engine to Blade	1



48" Front Deck Assembly

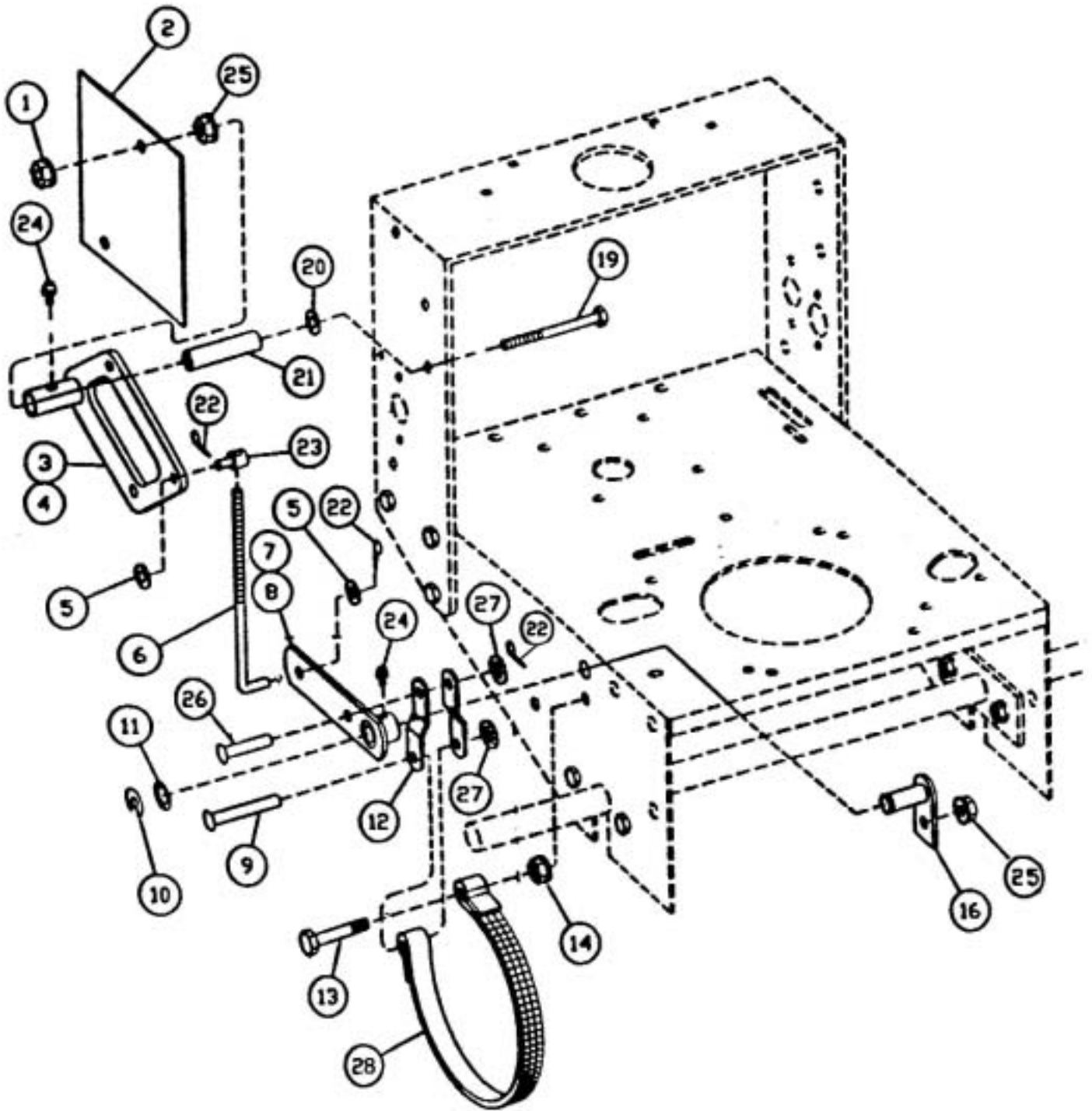


48" Front Deck Assembly

Item No.	MFG Code	Part Number	Description	Qty
1	100-013	11513	Idler Pulley with Flange	1
2	100-025	11525	Pulley, Single	2
3	148-004	11644	Pulley, Double	1
4	100-026	11526	H-Bushing	3
5	100-024	11524	Pivot Hub	2
6	100-021	11521	Cutting Housing Assembly	3
7	100-022	11522	Spacer 6	15
8	148-005	11645	Blade 48"	3
9	100-023	11523	Plain Washer 3*16.5 id*50 od	3
10	200-023	11723	Bolt M16*1.5*245	3
11	200-017	11717	Hexagon Nut M16*1.5	3
12	200-026	11726	Grease Fitting M6 GB1152 89	5
13	148-002	11642	Deck 48"	1
14	148-006	11646	Belt 48" Engine to Blade	1
15	148-007	11647	Belt 48" Blade to Blade	1
16	100-028	11528	Rod End LH	1
17	100-027	11527	Rod End RH	1
18	200-028	11728	Hexagon Bolt M10*120 GB5782-86	2
19	200-018	11718	Hexagon Bolt M10*35 GB5783-86	12
20	100-014	11514	Key 6.35*6*50	3
21	100-016	11516	Belt Guide, Spindle	4
22	200-014	11714	Cotter Pin, 2*20 GB91-86	1
23	200-029	11729	Nut Flange M8 GB6187-86	1
24	200-030	11730	Nylon Nut M8 GB889-86	1
25	148-008	11648	Idler Pulley IV with Flange	1
26	100-018	11518	Swivel	1
27	100-017	11517	Blade Rod	1
28	200-006	11706	Nylon Nut M10 GB889-86	22
29	100-020	11520	Blade Idler Arm Weldment	1
30	148-009	11649	Deck Idler Arm Weldment	1
31	148-010	11650	Rod Belt Tension Hook	1
32	100-019	11519	Plain Washer 3*10.5 id*38 od	4
33	200-010	3057	Plain Washer 10 GB95-85	7
34	100-033	11533	Belt Guide I	1
35	100-015	11515	Plain Washer 2*26 id *38 od	2
36	100-031	11531	Spacer 12	1
37	200-020	3240	Hexagon Bolt M10*70 GB5782-86	2
38	200-022	11722	Hexagon Bolt M10*65 GB5782-86	2
39	200-025	7372	Hexagon Bolt M8*30 GB5783 86	6
40	200-024	3019	Lock Washer 8 GB93-87	6
41	200-031	3065	Lock Washer 10 GB93-87	1
42	100-030	11530	Turn Buckle Rod	1
43	100-032	11532	Link Bushing 7*10.5 id*14 od	1
44	100-029	11529	Link Idler Arm	1
45	200-027	11727	Nut Thin M10 GB6172-86	1
46	200-018	11718	Hexagon Bolt M10*35 GB5783-85	2
47	200-019	11719	Hexagon Bolt M10*40 GB5782-86	1
48	200-006	11706	Nylon Nut M10 GB889-86	7
49	200-016	11716	Nut Flange M10 GB6187 86	11
50	148-011	11651	Spacer 16	1



36" & 48" Brake Assembly

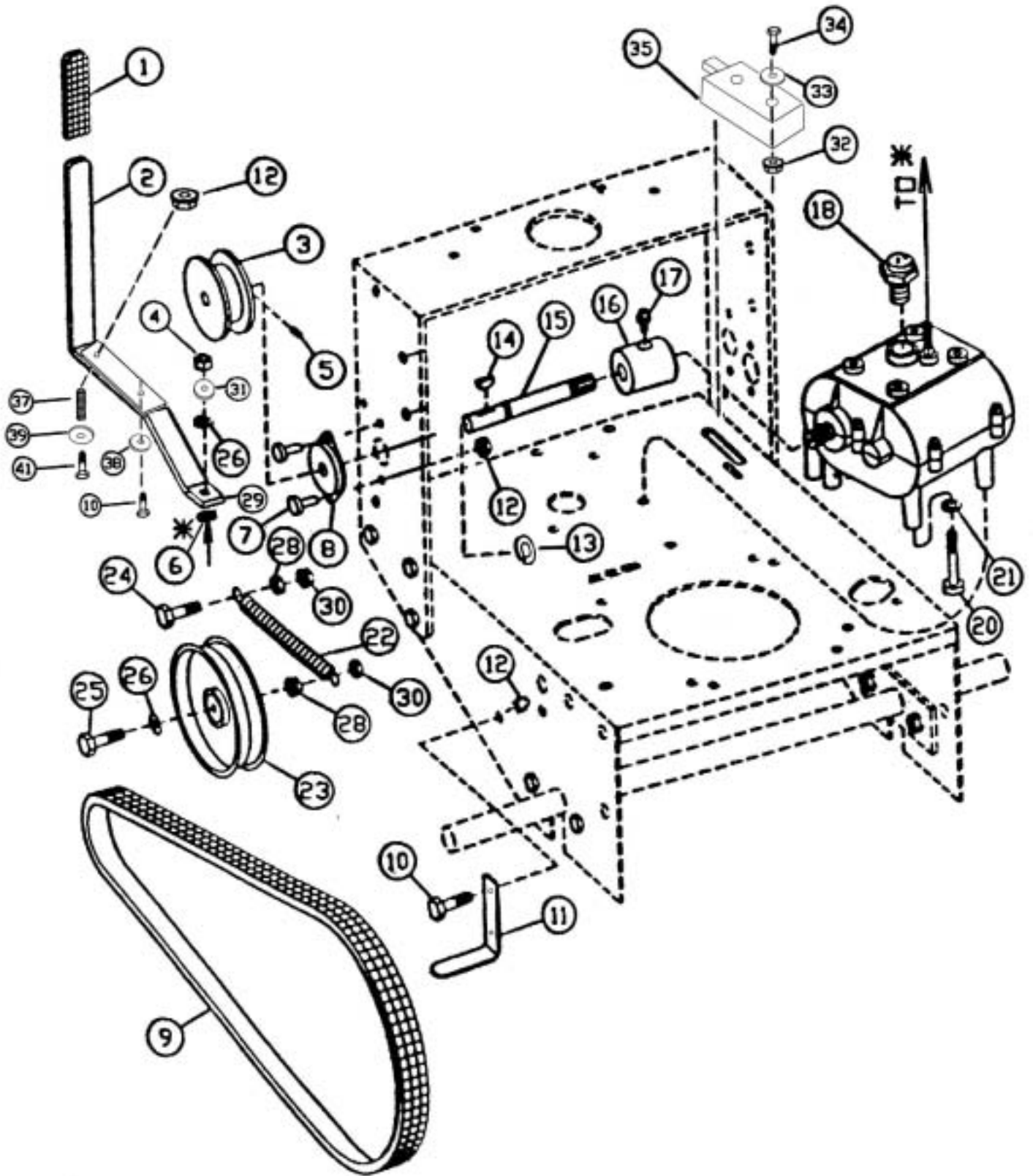


36" & 48" Brake Assembly

Item No.	MFG Code	Part Number	Description	Qty
1	200-001	11701	Nut M10 GB923-88	4
2	100-005	11505	Fender	2
3	100-034	11534	Idler Arm RH	1
4	100-035	11535	Idler Arm LH	1
5	200-021	3020	Plain Washer 8 GB95-85	2
6	100-036	11536	Brake Rod	2
7	100-037	11537	Brake Lever RH	1
8	100-038	11538	Brake Lever LH	1
9	100-039	11539	Flat Head Rivet I	2
10	200-047	11747	Snap Ring 16 GB894.1-86	2
11	100-120	11620	Plain Washer 2*16 id *26 od	4
12	100-040	11540	Brake Link	4
13	200-032	11732	Hexagon Bolt M10*50 GB5782-86	2
14	200-016	11716	Nut Flange M10 GB6187-86	2
16	100-041	11541	Brake Lever Mount	2
19	200-008	11708	Hexagon Bolt M10*110 GB5782-86	2
20	100-003	11503	Plain Washer 2*10.5 id *26 od	4
21	100-004	11504	Pivot Tube	2
22	200-014	11714	Cotter Pin 2*20 GB91-86	8
23	100-042	11542	Swivel, Brake Rod	2
24	200-026	11726	Grease Fitting M6 GB1152-89	2
25	200-006	11706	Nylon Nut M10 GB889-86	2
26	100-043	11543	Flat Head Rivet II	2
27	200-033	11733	Plain Washer 10 GB95-85	4
28	100-044	11544	Brake Assembly Band	2



36" & 48" Transmission Drive Assembly

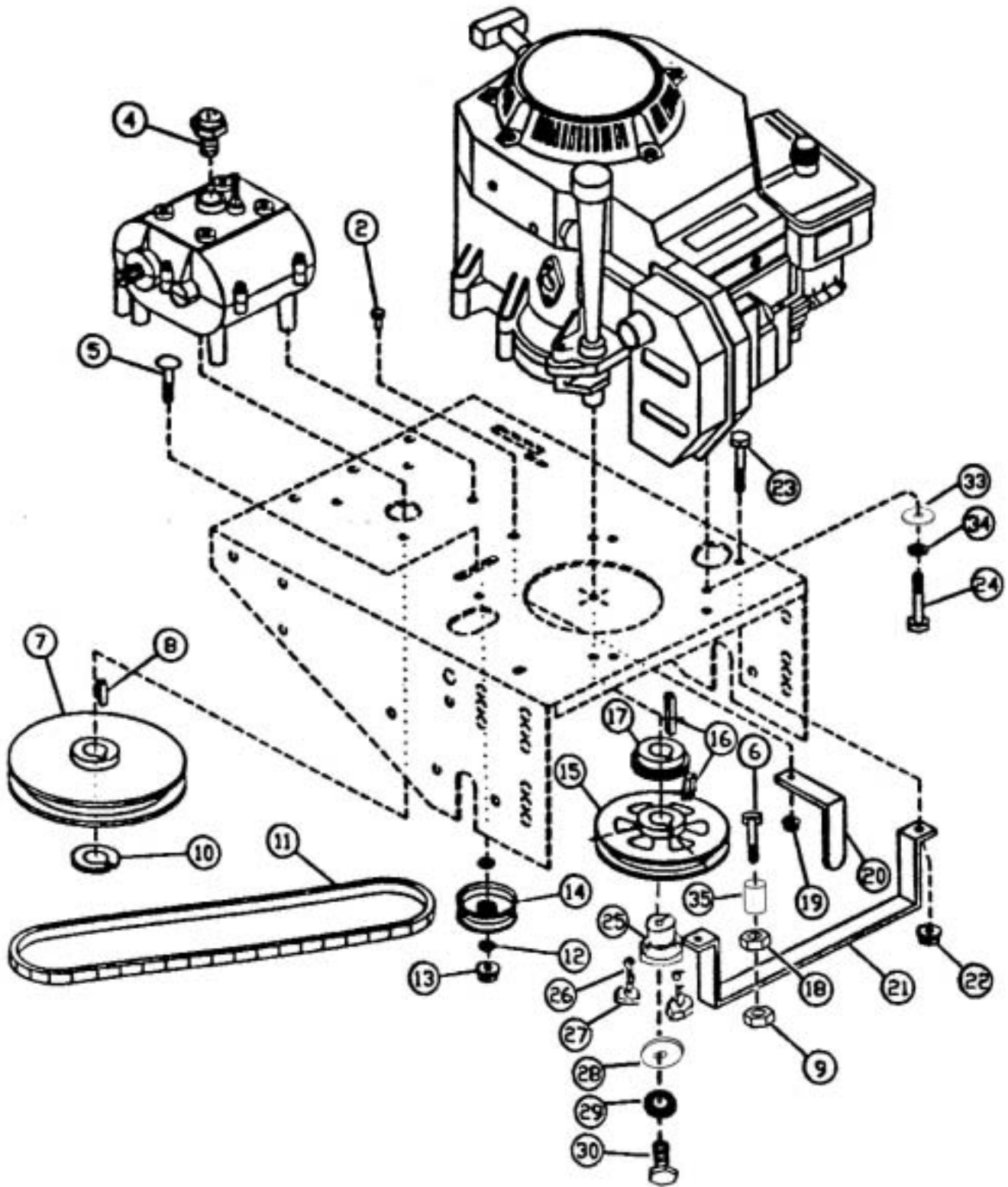


36" & 48" Transmission Drive Assembly

Item No.	MFG Code	Part Number	Description	Qty
1	100-045	11545	Flat Grip	1
2	100-046	11546	Transmission Shift Lever Upper	1
3	100-047	11547	Output Pulley	2
4	200-034	11734	Nut 3/8-24	1
5	200-035	11735	Screws M8*10 GB71-85	2
6	100-048	11548	Washer Rubber	1
7	200-011	11711	Bolt M6*16GB/T794-93	4
8	100-049	11549	Flange Bearing	2
9	100-050	11550	Traction Belt	2
10	200-036	11736	Hexagon Bolt M6*20 GB5783-86	5
11	100-051	11551	Belt Guide II	2
12	200-009	11709	Nylon Nut M6 GB889-86	10
13	200-047	11747	Snap Ring 16 GB894.1-86	2
14	100-052	11552	Woodruff Key	2
15	100-053	11553	Output Shaft	2
16	100-054	11554	Coupling	2
17	200-026	11726	Grease Fitting M6 GB1152-89	2
18	100-055	11555	Neutral Switch Transmission	1
20	200-037	11737	Hexagon Bolt 5/16-18	4
21	200-024	3019	Lock Washer 8 GB93-87	4
22	100-057	11557	Traction Spring	2
23	100-058	11558	Idler Pulley II	2
24	200-032	11732	Hexagon Bolt M10*50 GB5782-86	2
25	200-038	3384	Hexagon Bolt M10*60 GB5782-86	2
26	200-010	3057	Plain washer 10 GB95-85	2
28	200-016	11716	Nut Flange M10 GB6187-86	2
29	100-059	11559	Transmission Shift Lever Lower	1
30	200-006	11706	Nylon Nut M10 GB889-86	2
31	200-031	3065	Lock washer 10 GB93-87	1
32	200-039	11739	Nylon Nut M4 GB889-86	2
33	200-040	11740	Plain Washer 4 GB95-85	2
34	200-041	7386	Bolt M4*30 GB818-85	2
35	100-060	11560	Switch	1
37	100-061	11561	Compression Spring	1
38	200-042	3066	Plain Washer 6 GB95-85	1
39	200-043	11743	Plain Washer 6 GB5287-86	1
41	200-044	11744	Hexagon Bolt M6*40 GB5782-86	1



36" & 48" Rear Deck Assembly

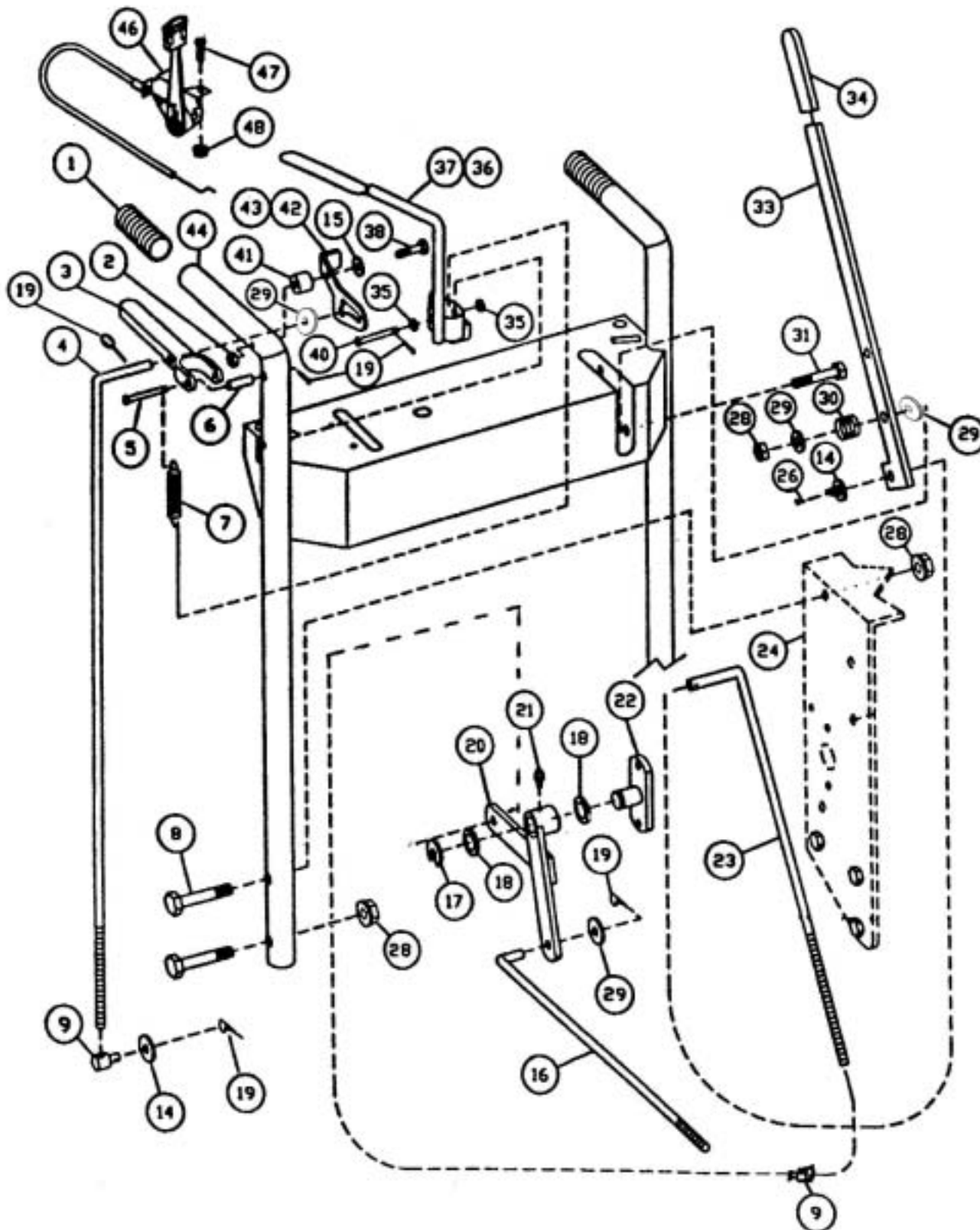


36" & 48" Rear Deck Assembly

Item No.	MFG Code	Part Number	Description	Qty
2	200-045	11745	Bolt M6*20 GB/T794-93	2
4	100-055	11555	Neutral Switch Transmission	1
5	200-046	11746	Bolt M10*45 GB/T794-93	1
6	200-038	3384	Hexagon Bolt M10*60 GB5782-86 (for 48")	1
7	100-063	11563	Pulley, Transmission	1
8	100-117	11617	Woodruff Key, Transmission	1
9	200-006	11706	Nylon Nut M10 GB889-86 (for 48")	1
10	200-047	11747	Snap Ring 16 GB894, 1-86	1
11	100-064	11564	Transmission Belt	1
12	200-010	3057	Plain Washer 10 GB95-85	2
13	200-006	11706	Nylon Nut M10 GB889-86 (for 48")	1
14	100-065	11565	Idler Pulley III	1
15	100-025	11525	Pulley, Single	1
16	100-066	11566	Key 6.35*6*25	2
17	100-067	11567	Pulley, Input	1
18	200-016	11716	Nylon Nut M10 GB889-86 (for 48")	1
19	200-009	11709	Nylon Nut M6 GB889-86	2
20	100-068	11568	Belt Guide III	1
21	100-069	11569	Belt Guide IV	1
22	200-030	11730	Nylon Nut M8 GB889-86	2
23	200-048	11748	Hexagon Bolt M8*20 GB5782-86	2
24	200-049	11749	Hexagon Bolt M8*40 GB5783-86	4
25	100-026	11526	H-Bushing	1
26	200-024	3019	Lock Washer 8 GB 93-87	2
27	200-025	7372	Hexagon Bolt M8*30 GB5783-86	2
33	200-021	3020	Plain Washer 8 GB95-85	4
34	200-024	3019	Lock Washer 8 GB93-87	4
35	148-014	11654	Bushing, Belt Guide IV (for 48")	1



36" & 48" Handle Control Assembly

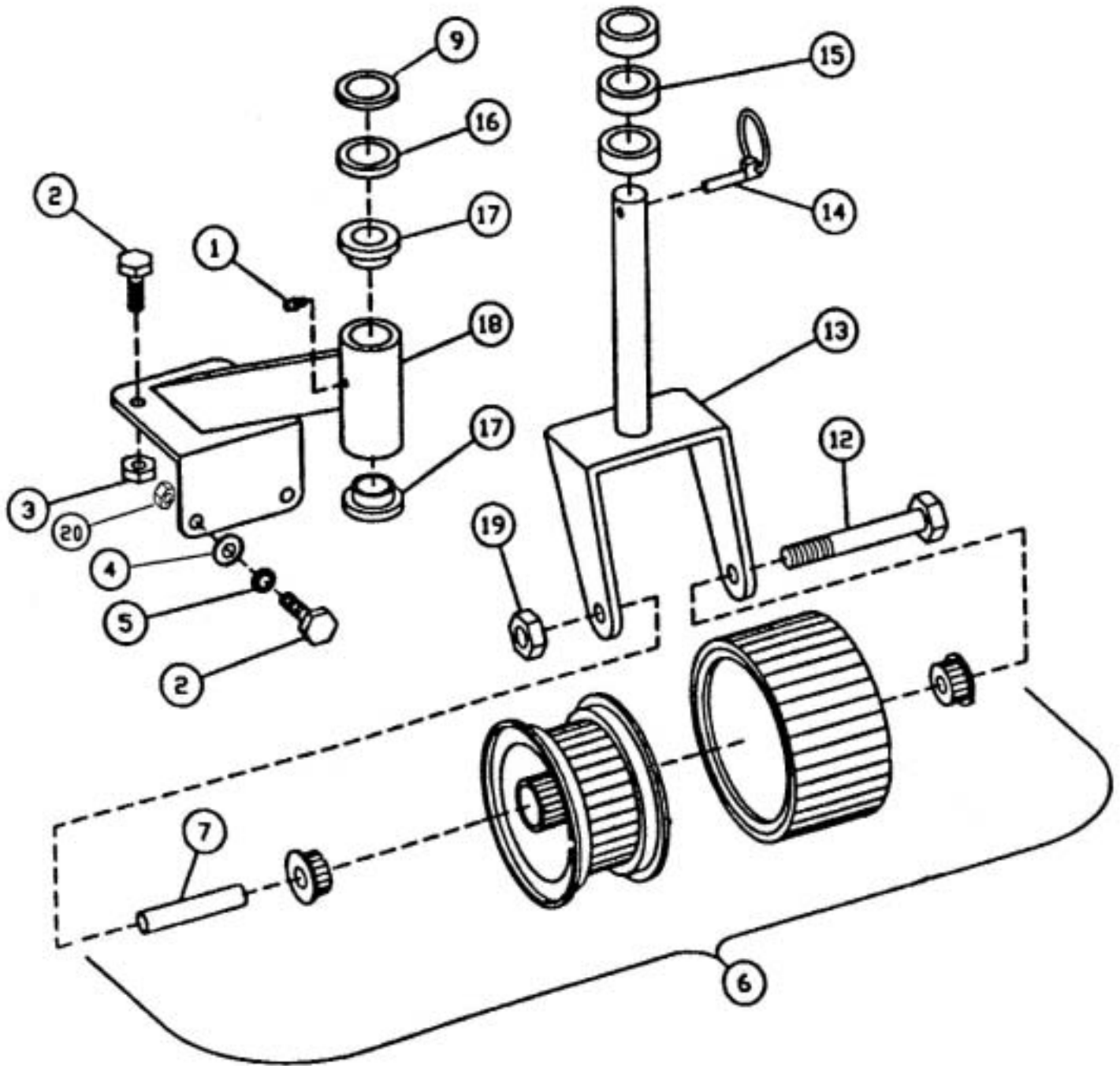


36" & 48" Handle Control Assembly

Item No.	MFG Code	Part Number	Description	Qty
1	100-072	11572	Handle Grip	2
2	200-051	11751	Nut M6 GB923-88	2
3	100-073	11573	Traction Control Lever	2
4	100-074	11574	Traction Rod	1
5	100-075	11575	Clevis Pin Traction Control Lever	2
6	100-076	11576	Roll Pin	4
7	100-077	11577	Opc Spring	2
8	200-052	11752	Hexagon Bolt M10*45 GB5782-86	4
9	100-018	11518	Swivel	3
14	200-021	3020	Plain Washer 8 GB95-85	2
15	200-053	11753	Lock Washer 6 GB93-87	2
16	100-017	11517	Blade Rod	1
17	200-047	11747	Snap-Ring 16 GB894.1-86	1
18	100-120	11620	Plain Washer 2*16 id*26 od	2
19	200-014	11714	Cotter Pin 2*20 GB91-86	3
20	100-078	11578	Bell Crank	1
21	200-026	11726	Grease Fitting M6 GB1152-89	1
22	100-079	11579	Bell Crank Mount Bracket	1
23	100-080	11580	Blade Rod Traction Control Lever	1
26	200-054	11754	Hair Pin Cotter 2	1
28	200-006	11706	Nylon Nut M10 GB889-86	5
29	200-010	3057	Plain Washer 10 GB95-85	4
30	100-081	11581	Compression Spring	1
31	200-032	11732	Hexagon Bolt M10*50 GB5782-86	1
33	100-082	11582	Blade Control Lever	1
34	100-045	11545	Flat Grip	1
35	100-083	11583	Flange Bushing	4
36	100-084	11584	OPC Lever RH	1
37	100-085	11585	OPC Lever LH	1
38	200-055	11755	Hexagon Bolt M6*50 GB5782-86	2
39	200-014	11714	Cotter Pin 2*20 GB91-86	2
40	100-086	11586	Clevis Pin, Opc Lever	2
41	100-087	11587	Bushing, Traction Lock	2
42	100-088	11588	Traction Lock with Grip, LH	1
43	100-089	11589	Traction Lock with Grip, RH	1
44	100-090	11590	Top Handle Weldment	1
45	200-042	3066	Plain Washer 6 GB95-85 (not shown)	2
46	100-091	11591	Throttle Control	1
47	200-012	11712	Bolt M5*20 GB818-85	2
48	200-013	11713	Nylon Nut M5 GB889-86	2



36" & 48" Front Caster Assembly

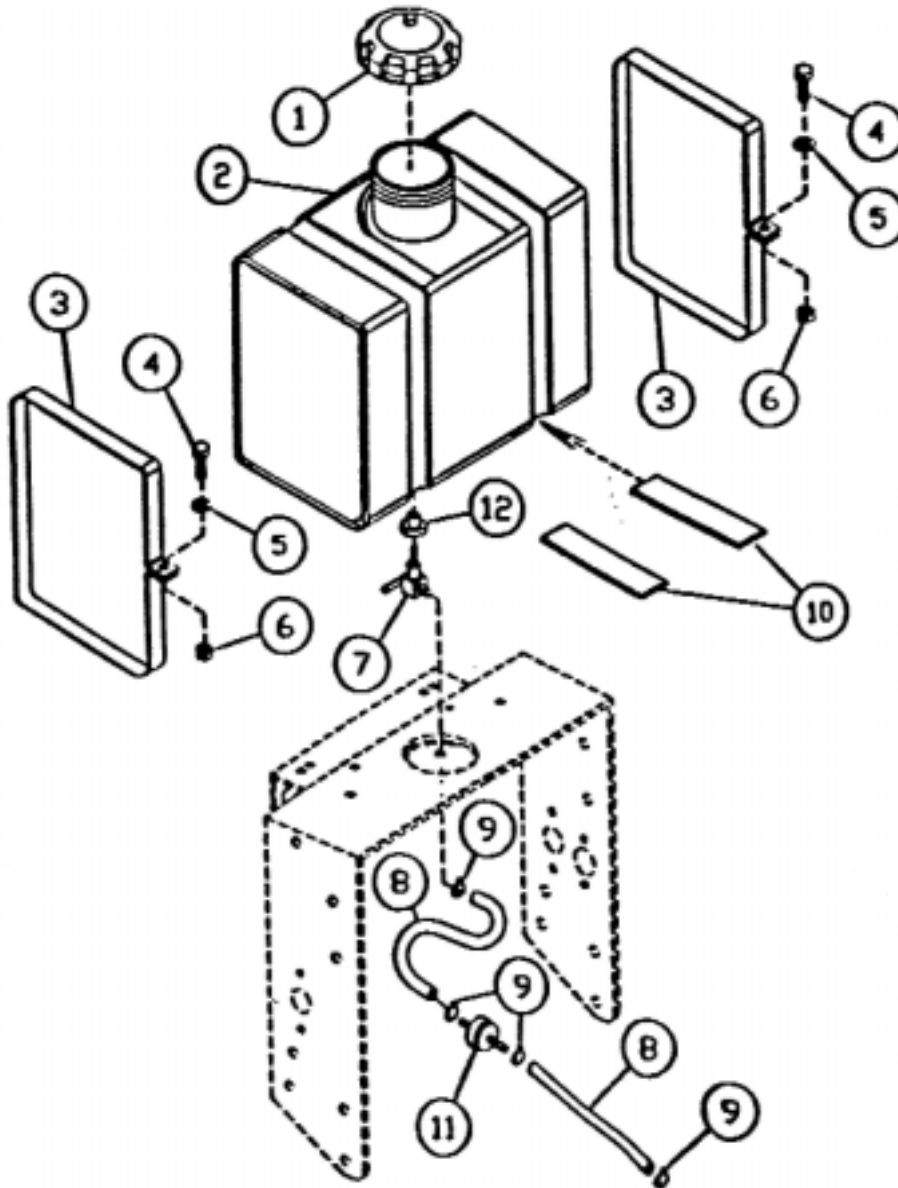


36" & 48" Front Caster Assembly

Item No.	MFG Code	Part Number	Description	Qty
1	200-026	11726	Grease Fitting M6 GB1152-89	4
2	200-003	12808	Hexagon Bolt M10*25 GB 5783-86	8
3	200-006	11706	Nylon Nut M10 GB889-86	4
4	200-010	3057	Plain Washer 10 GB95-85	4
5	200-031	3065	Lock Washer 10 GB93-87 (For 36")	2
6	100-092	11592	Castor Wheel Assembly W	2
7	100-093	11593	Pivot Tube, Castor	2
9	100-015	11515	Plain Washer 2*26 id *38 od	2
12	200-057	11757	Hexagon Bolt M12*140 GB5782-86	2
13	100-096	11596	Castor Yoke	2
14	100-097	11597	Lynch Pin	2
15	100-098	11598	Spacer 13	6
16	100-099	11599	Spacer 6.5	2
17	100-100	11600	Bushing, Castor	4
18	100-101	11601	Castor Support	2
19	200-007	11707	Nylon Nut M12 GB889-86	2
20	200-006	11706	Nylon Nut M10 GB889-86 (For 48")	4

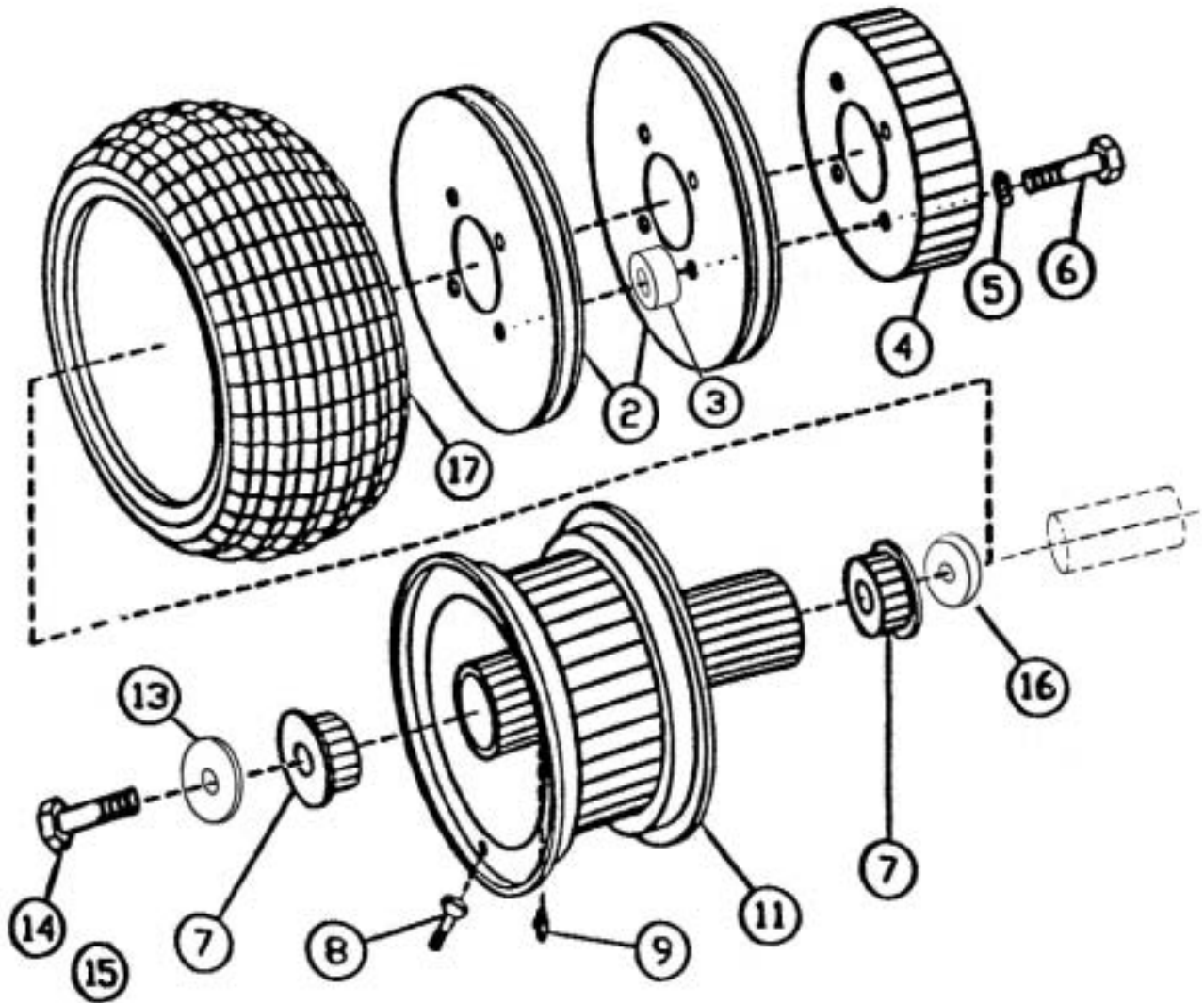


36" & 48" Fuel Tank Assembly



Item No.	MFG Code	Part Number	Description	Qty
1	100-102	11602	Fuel Tank Cap	1
2	100-103	11603	Fuel Tank Body	1
3	100-104	11604	Fuel Tank Strap	2
4	200-058	11758	Hexagon Bolt M6*50 GB5782-86	2
5	200-042	3066	Plain Washer M6 GB95-85	2
6	200-009	11709	Nylon Nut M6 GB889-86	2
7	100-105	11605	Fuel Shut Off Valve	1
8	100-106	11606	Fuel Line	1
9	200-059	3649	Fuel Line Clamp	4
10	100-107	11607	Tank Pad	2
11	100-108	11608	Fuel Filter	1
12	100-109	11609	Tube Insert	1

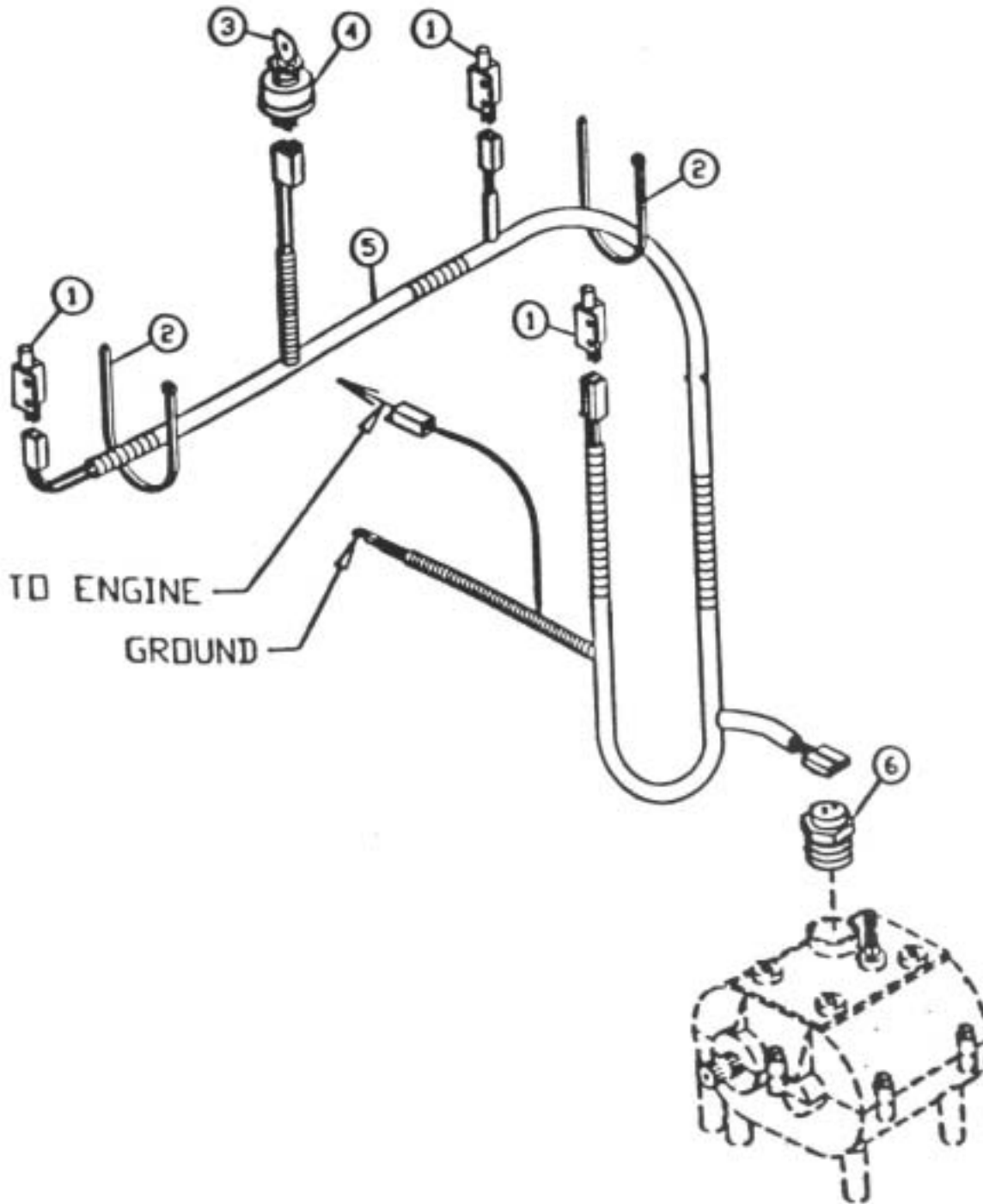
36" & 48" Traction Wheel Assembly



Item No.	MFG Code	Part Number	Description	Qty
2	100-110	11610	Pulley, Traction	4
3	100-111	11611	Spacer 11.5	8
4	100-112	11612	Brake Hub	2
5	200-024	3019	Lock Washer 8 GB93-87	8
6	200-060	11760	Bolt M8*40 GB787-86	8
7	200-061	11761	Bearing 6005 2RS	4
8	100-113	11613	Valve	2
9	200-026	11726	Grease Fitting M6 GB1152-89	2
11	148-013	11653	Rim 36" & 48"	2
13	100-019	11519	Plain Washer 3*10.5 id*38 od	2
14	100-119	11619	Bolt M10 (left)	1
15	200-003	12808	Hexagon Bolt M10*25 GB5782-86	1
16	100-099	11599	Spacer 6.5 (for 36" & 48")	2
17	148-012	11652	Tire 13X6.50-6 (for 36" & 48")	2
	148-015	11655	Wheel Assembly for 36", 48" (includes # 7, 8, 9, 11, 17)	2



36" & 48" Electrical Components



Item No.	MFG Code	Part Number	Description	Qty
1	100-060	11560	Switch	3
2	200-062	11762	Wire Tie	4
3 & 4	100-114	11614	Key Switch & Key	1
5	100-115	11615	Wiring Harness	1
6	100-055	11555	Neutral Switch Transmission	1



Dixon Industries, Inc. • Airport Industrial Park • Coffeyville, KS • 67337 • 620-251-2000

© Dixon Industries, Inc.