

AquaContour automatic
Art. 8133

- D** **Gebrauchsanweisung**
Vielflächen-Regner
-
- GB** **Operating Instructions**
Large-Area Irrigation
-
- F** **Mode d'emploi**
Arroseur multisurfaces
-
- NL** **Gebruiksaanwijzing**
Multi-instelbare sproeier
-
- S** **Bruksanvisning**
AquaContour automatic
-
- I** **Istruzioni per l'uso**
Irrigatore per superfici irregolari
-
- E** **Manual de instrucciones**
Aspersor de múltiples superficies
-
- P** **Instruções de manejo**
Aspersores de grandes superficies
-
- DK** **Brugsanvisning**
AquaContour automatic

GARDENA Large-Area Irrigation AquaContour automatic

Welcome to the Garden of GARDENA...



Please read these operating instructions carefully and observe the information they contain. Use these operating instructions to familiarise yourself with the GARDENA Large-Area Irrigation AquaContour automatic, its proper use and the notes on safety.



For safety reasons, children under the age of 16 as well as people who are not familiar with the operating instructions should not use the large-area irrigation.

→ Please keep these instructions in a safe place.

Contents :

1. Where to use your Large-Area Irrigation AquaContour automatic	11
2. Safety Instructions	11
3. Function	12
4. Initial Operation	12
5. Operation	14
6. Putting into Storage	16
7. Maintenance	16
8. Troubleshooting	17
9. Accessories	18
10. Technical Data	18
11. Service / Warranty	18

1. Where to use your Large-Area Irrigation AquaContour automatic

Intended Use:

The GARDENA Large-Area Irrigation forms part of the Original GARDENA System and is designed to be used solely outdoors in domestic and private gardens to water lawns and garden areas.

Please note:



It is not permitted to use the Large-Area Irrigation AquaContour automatic for industrial or commercial applications and in conjunction with chemicals, foodstuffs, highly combustible or explosive substances.

2. Safety Instructions

Batteries:

For reasons of operational reliability the Large-Area Irrigation AquaContour automatic should only be operated with four 1.5 V (alkaline) round cells type IEC LR14!

To prevent failure of the Large-Area Irrigation AquaContour automatic due to weak batteries

in conjunction with a lengthy absence, batteries should be replaced in due course.

This will depend on the previous operating life of the batteries and the probable length of operation during your absence, which should not amount to more than 90 hours in total.

Information about usage:

The Large-Area Irrigation AquaContour automatic should not be combined with other sprinklers in one irrigation line.

If there is a change in the range of the Large-Area Irrigation AquaContour automatic, the pressure conditions will change in the irrigation line, so altering the range of the other sprinkler.

→ Only use separate individual water channels for watering. Do not install in a series with other sprinklers.

The ranges selected may vary with major fluctuations in water pressure.

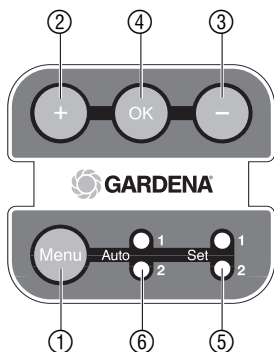
Pressure Tank Units (with pressure chamber) to supply water to the Large-Area Irrigation AquaContour automatic are not recommended as they cause fluctuations in pressure with the switch-on / off pressure.

Sand and other abrasive substances in the water will result in faster wear and reduced output.

→ With water containing sand a Central Filter (e.g. GARDENA Central Filter Art. 1510) should be used.

3. Function

Control panel:



The GARDENA Large-Area Irrigation AquaContour automatic can be used to water individual garden areas.

Two programmed areas can be stored. A jet of water slowly turns in a circle to the end of the programmed area, stops, and turns back again, altering the irrigation range depending on the ranges programmed. The control panel is used to programme the irrigation contour points.

- ① **Menu button:** Choose between programming mode (Set 1 or 2) and operating mode (Auto 1 or 2).
- ② **“+” button:** Increases irrigation range.
- ③ **“-” button:** Decreases irrigation range.
- ④ **OK button:** Stores the irrigation range selected.
- ⑤ **Set LEDs:** Indicate programming mode 1 or 2.
- ⑥ **Auto LEDs:** Indicate automatic operating mode 1 or 2. LED 1 or 2 flashes every 10 seconds.

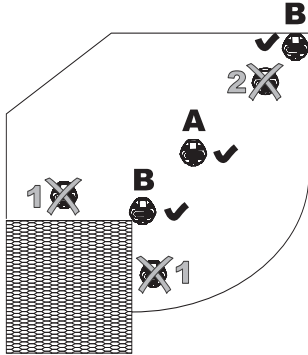
4. Initial Operation

Insert batteries:

The batteries are not included with initial purchase.

→ To insert batteries see **7. Maintenance** “Replace batteries”.

Select correct location for Large-Area Irrigation AquaContour automatic:



Correct location:

A Circle water distribution:

- With circle water distribution the large-area irrigation should be positioned as centrally as possible in the watering area to ensure that the irrigation width is not greatly affected by external influences such as wind.

B Sector water distribution:

- With sector water distribution the large-area irrigation should be positioned right at the edge of the watering area (e.g. at the corner of the house).
- The large-area irrigation must be positioned at a point in the watering sector from which it is possible to water the entire garden area required. The maximum range is 9 m (with 2 bar flow pressure at the irrigation unit).

Incorrect location:

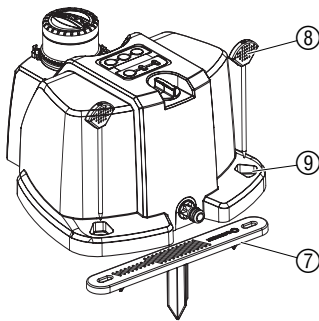
1:

- No obstacles (e.g. walls, trees, etc.) should be located in the watering sector. It must be possible to access every contour point of the areas to be watered in a straight line. With the maximum range the spray height can reach approx. 5 m.

2:

- The minimum range is 2.5 m (at 2 bar). With circle water distribution the large-area irrigation must therefore be located 2.5 m from the edge in all directions (**A**). If this is not possible the large-area irrigation should be positioned at the edge and the watering area will be a circle sector (**B**).

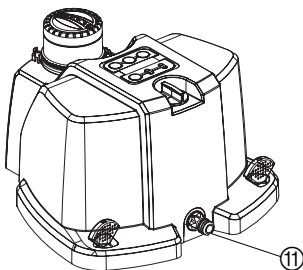
Install ground marker in ground:



The Large-Area Irrigation AquaContour automatic is equipped with 2 ground markers and two programs so it can be used in two different locations, e.g in front of and behind the house, or with very large areas. To ensure that the locations selected can be pinpointed again, the large-area irrigation has to be fixed on the ground markers with removable spikes. The 2 spikes provided are attached to the bottom of the large-area irrigation. The ground marker should always remain in the ground.

1. Select correct location for large-area irrigation (see above).
2. Insert ground marker ⑦ into soil at this point level with the ground.
3. Place large-area irrigation on ground marker ⑦.
4. Insert 2 spikes ⑧ in openings ⑨ of the large-area irrigation.
The large-area irrigation is fixed in place on the ground marker.

Connect Large-Area Irrigation AquaContour automatic:

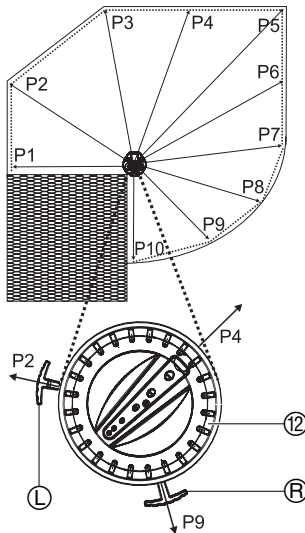


The Large-Area Irrigation AquaContour automatic can be connected to the water supply via the Original GARDENA System. The minimum operating pressure is 1 bar.

1. Fit GARDENA Hose with connection system to the connection ⑪ of the large-area irrigation.
2. Open supply.

5. Operation

Select watering sector:



A watering sector from 25° to 360° can be selected. To prevent areas being watered unintentionally (e.g. house), the sector should first be selected roughly (slightly too small).

Roughly select sector:

1. Close water supply.
2. Turn the nozzle head ⑫ by hand to the middle of the watering sector (e.g. P4).
3. Roughly select watering sector: turn right sector stop ⑧ to right-hand side (e.g. P9) and left sector stop ⑨ to left-hand side (e.g. P2).

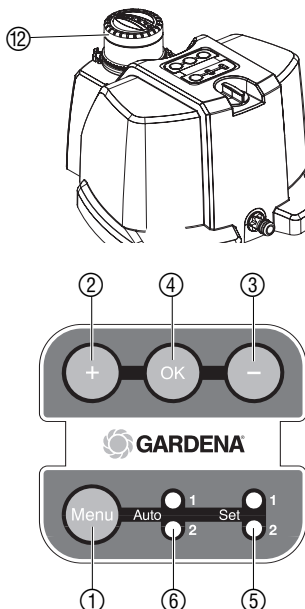
Re-adjust sector:

1. Open water supply.
2. Watch watering sector and re-adjust the sector-stops ⑨ and ⑧ according to the sector limits (P1 and P10) until the change in direction matches the required irrigation limits.

Anti-vandal device:

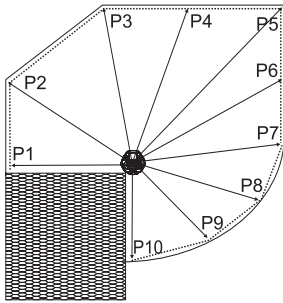
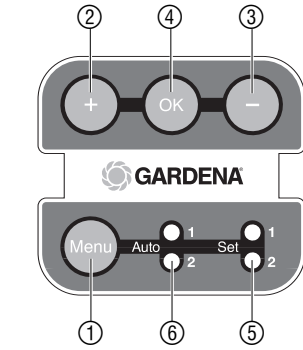
If the nozzle head is turned beyond the sector stops with the sector stops held, the anti-vandal device will be triggered. As soon as the water supply is opened, the the Large-Area Irrigation AquaContour will automatically return to the watering sector.

Programme contour points of irrigation sector:



The watering sector has to be selected before programming. Two programmes for different locations can be programmed in. Up to 50 contour points can be programmed with the Large-Area Irrigation AquaContour automatic. The more points that are programmed, the more precisely the contour will be described (e.g. with a circular arc P7 – P10).

1. Open water supply.
When using for the first time, the minimum range (2.5 m with a flow pressure of 2 bar at the large-area irrigation) is selected.
2. Press **OK** button ④. A green Auto LED ⑥ lights up.
3. Select program: keep pressing **Menu** button ① until the required Set LED ⑤ (1 or 2) lights up.
The required programme 1 or 2 has been selected and can now be programmed in.
4. Turn the nozzle head ⑫ on the orange ring **by hand** to the left-hand sector limit (in the example P1) and hold.
5. Use the two buttons “+” button ② and “-” button ③ to set the range so that it reaches P1.
6. Press **OK** button ④.
The green Auto LED ⑥ lights up for 1 second and the first point P1 has been stored.
7. Turn the nozzle head ⑫ on the orange ring **by hand** to the next irrigation point (e.g. P2) and hold.



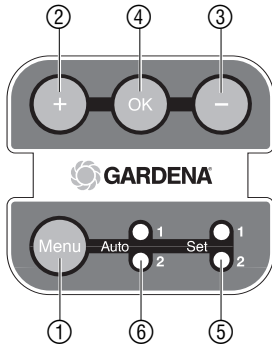
8. Use the two buttons “+” button ② and “-” button ③ to set the range so that it reaches to the next irrigation point (P2 for example).
9. Press **OK** button ④.
The green Auto LED ⑥ lights up for 1 second and the point has been stored.
10. Repeat the process from steps 7 to 9 until the right-hand sector limit is reached (in the example P10).
11. Press **Menu** button ①.
The red Set LED ⑤ goes out, programming is complete, and the green Auto LED ⑥ lights up for 1 minute. The Auto LED then flashes every 10 seconds.
12. Release nozzle head ⑩ and check contour area watered.
13. If the contour is watered correctly, close the water supply.

Information about programming :

As soon as the first point is programmed, any existing programme will be deleted. After programming has been completed, no further points can be deleted or added later on. If the contour has not been set as required, reprogramming with more points will have to be carried out. If no button is pressed for 60 seconds during programming, programming will be automatically ended and the contour stored.

Start /end watering :

Before irrigation can be started, the Large-Area Irrigation AquaContour automatic must have been programmed.



1. Fit the Large-Area Irrigation AquaContour automatic onto one of the two ground markers with the 2 spikes (see **4. Initial Operation** “Install ground marker in ground”).
2. Select sector stops according to location (see **5. Operation** “Select watering sector”).
3. Press **OK** button ①.
The green Auto LED ⑥ lights up.
4. Select programme: Keep pressing Menu button ① until the required green Auto LED ⑤ (1 or 2) lights up.
The required programme 1 or 2 has been selected.

Start watering :

→ Fully open water supply.

Watering will start automatically and the contour of the selected watering sector will be watered.

End watering :

→ Close water supply.

Watering will end. The programme remains unchanged.

6. Putting into Storage

Storage / Overwintering:



The storage location must not be accessible to children.

1. Remove batteries from the Large-Area Irrigation AquaContour automatic.
The programmes remain unchanged.
2. Store the Large-Area Irrigation AquaContour automatic in a dry place protected from frost.

Disposal: (in accordance with RL2002/96/EC)



Important!

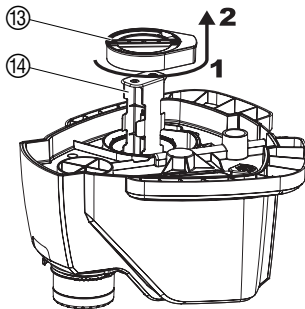
Return spent batteries to one of the sales outlets or dispose of batteries via your municipal recycling collection centre. Only dispose of battery once **discharged**.

The product must not be added to normal household waste. It must be disposed of in line with local environmental regulations.

→ Important: Make sure that the unit is disposed of via your municipal recycling collection centre.

7. Maintenance

Replace batteries:



If the Auto LED 1 and Set LED 1 start flashing every 8 seconds, the batteries have to be replaced.

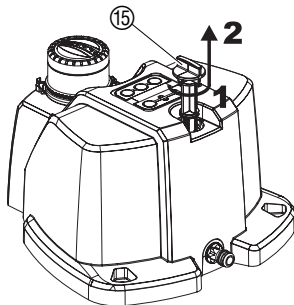
The programmes remain unchanged.

1. Turn the battery cover ⑬ on the bottom of the Large-Area Irrigation AquaContour automatic anticlockwise **1** and pull out carefully **2** (bayonet coupling).
2. Remove battery holder ⑭ and insert 4 batteries (1.5 V round cells type IEC LR14).

When doing so, ensure correct polarity +/-.

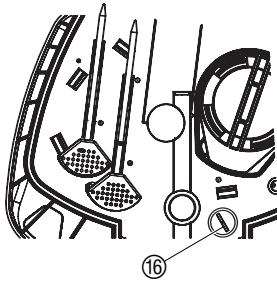
3. Re-insert battery holder ⑭.
4. Fit battery cover ⑬ in reverse order.

Clean dirt filter:



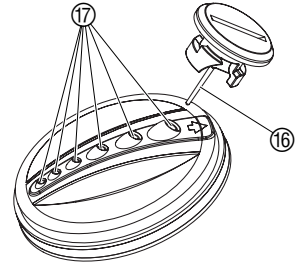
1. Turn the dirt filter ⑮ anticlockwise **1** and pull out carefully **2** (bayonet coupling).
2. Clean dirt filter ⑮ under clean running water.
3. Refit dirt filter ⑮ in reverse order.

Clean nozzles :



If the watering pattern is no longer even, the nozzles can be cleaned using the cleaning needle provided. The cleaning needle is located on the bottom of the housing.

1. Turn the cleaning needle ⑯ (e.g. with a coin) anticlockwise through 180° and pull out carefully (bayonet coupling).
2. Clean nozzles ⑰ with cleaning needle ⑯.
3. Refit cleaning needle ⑯ in reverse order.



8. Troubleshooting

Fault	Possible cause	Remedy
Irrigation width smaller than on initial start-up	Dirt filter soiled.	→ Clean dirt filter.
	Tap not opened sufficiently.	→ Open tap further.
	Water pressure too low.	→ Increase water pressure / water supply.
	Batteries are flat.	→ Replace batteries. If the batteries are flat, the range is reduced to the minimum level.
	Irrigation range is programmed incorrectly.	→ Reprogramme irrigation range.
Watering pattern uneven	Nozzles soiled.	→ Clean nozzles.
	Nozzle head soiled.	→ Clean nozzle head.
	Nozzle head damaged.	→ Contact GARDENA Service.
Watering pattern incorrect	Incorrect programme selected.	→ Keep pressing Menu button until the correct programme is selected.
	Large-Area Irrigation AquaContour automatic incorrectly positioned by 180° on ground marker.	→ Re-install Large-Area Irrigation AquaContour automatic correctly on ground marker.
Nozzle head leaking	Soiling on nozzle head.	→ Press down nozzle head several times during operation.



In the event of other faults please contact GARDENA Service.
Repairs should only be carried out by GARDENA service centres or dealers authorised by GARDENA.

9. Accessories

GARDENA Water Computer

For automatic watering control

**Art. 1805, 1810, 1815,
1825, 1833, 1835**

10. Technical Data

AquaContour automatic (Art. 8133)	
Batteries:	4 x round cells type IEC LR14 (1.5 V alkaline 7.8 Ah)
Operating life of batteries:	approx. 90 hours of watering
Connection:	Original GARDENA System
Operating temperature range:	5 – 60 °C
Pressure range:	1 – 6 bar
Irrigation width:	2.5 – 9 m at 2 bar / 4 – 11 m at 4 bar
Watering area:	255 m ² at 2 bar / 380 m ² at 4 bar
Watering sector:	25 – 360°
Water flow rate with max. range:	750 l/h (at 2 bar) / 1100 l/h (at 4 bar)

11. Service / Warranty

Warranty

GARDENA guarantees this product for 2 years (from date of purchase). This guarantee covers all serious defects of the unit that can be proved to be material or manufacturing faults. Under warranty we will either replace the unit or repair it free of charge if the following conditions apply:


- The unit must have been handled properly and in keeping with the requirements of the operating instructions.
- Neither the purchaser or a non-authorized third party have attempted to repair the unit.

As a wear part the dirt filter is not covered by the guarantee.

This manufacturer's guarantee does not affect the user's existing warranty claims against the dealer/seller.

If a fault occurs with your Large-Area Irrigation AquaContour automatic, please return the faulty unit together with a copy of the receipt and a description of the fault, with postage paid to one of the GARDENA Service Centres listed on the back of these operating instructions.

<p>D <i>Produkthftung</i></p>	<p>Wir weisen ausdrücklich darauf hin, dass wir nach dem Produkthaftungsgesetz nicht für durch unsere Geräte hervorgerufene Schäden einzustehen haben, sofern diese durch unsachgemäße Reparatur verursacht oder bei einem Teileaustausch nicht unsere Original GARDENA Teile oder von uns freigegebene Teile verwendet werden und die Reparatur nicht vom GARDENA Service oder dem autorisierten Fachmann durchgeführt wird. Entsprechendes gilt für Ergänzungssteile und Zubehör.</p>
<p>GB <i>Product Liability</i></p>	<p>We expressly point out that, in accordance with the product liability law, we are not liable for any damage caused by our units if it is due to improper repair or if parts exchanged are not original GARDENA parts or parts approved by us, and, if the repairs were not carried out by a GARDENA Service Centre or an authorised specialist. The same applies to spare parts and accessories.</p>
<p>F <i>Responsabilité</i></p>	<p>Nous vous signalons expressément que GARDENA n'est pas responsable des dommages causés par ses appareils, dans la mesure où ces dommages seraient causés suite à une réparation non conforme, dans la mesure où, lors d'un échange de pièces, les pièces d'origine GARDENA n'auraient pas été utilisées, ou si la réparation n'a pas été effectuée par le Service Après-Vente GARDENA ou l'un des Centres SAV agréés GARDENA. Ceci est également valable pour tout ajout de pièces et d'accessoires autres que ceux préconisés par GARDENA.</p>
<p>NL <i>Productaansprakelijkheid</i></p>	<p>Wij wijzen er nadrukkelijk op, dat wij op grond van de wet aansprakelijkheid voor producten niet aansprakelijk zijn voor schade ontstaan door onze apparaten, indien deze door onvakkundige reparatie veroorzaakt zijn, of er bij het uitwisselen van onderdelen geen gebruik gemaakt werd van onze originele GARDENA onderdelen of door ons vrijgegeven onderdelen en de reparatie niet door de GARDENA technische dienst of de bevoegde vakman uitgevoerd werd. Ditzelfde geldt voor extra-onderdelen en accessoires.</p>
<p>S <i>Produktansvar</i></p>	<p>Tillverkaren är inte ansvarig för skada som orsakats av produkten om skadan beror på att produkten har reparerats felaktigt eller om, vid reparation eller utbyte, andra än Original GARDENA reservdelar har använts. Samma sak gäller för kompletteringsdelar och tillbehör.</p>
<p>I <i>Responsabilità del prodotto</i></p>	<p>Si rende espressamente noto che, conformemente alla legislazione sulla responsabilità del prodotto, non si risponde di danni causati da nostri articoli se originati da riparazioni eseguite non correttamente o da sostituzioni di parti effettuate con materiale non originale GARDENA o comunque da noi non approvato e, in ogni caso, qualora l'intervento non venga eseguito da un centro assistenza GARDENA o da personale specializzato autorizzato. Lo stesso vale per le parti complementari e gli accessori.</p>
<p>E <i>Responsabilidad de productos</i></p>	<p>Advertimos que conforme a la ley de responsabilidad de productos no nos responsabilizamos de daños causados por nuestros aparatos, siempre y cuando dichos daños hayan sido originados por arreglos o reparaciones indebidas, por recambios con piezas que no sean piezas originales GARDENA o bien piezas autorizadas por nosotros, así como en aquellos casos en que la reparación no haya sido efectuada por un Servicio Técnico GARDENA o por un técnico autorizado. Lo mismo es aplicable para las piezas complementarias y accesorios.</p>
<p>P <i>Responsabilidade sobre o produto</i></p>	<p>Queremos salientar que segundo a lei da responsabilidade do fabricante, nós não nos responsabilizaremos por danos causados pelo nosso equipamento, quando estes ocorram em decorrência de reparações inadequadas ou da substituição de peças por peças não originais da GARDENA, ou peças não autorizadas. A responsabilidade tornar-se-à nula também depois de reparações realizadas por oficinas não autorizadas pela GARDENA. Esta restrição valerá também para peças adicionais e acessórios.</p>
<p>DK <i>Produktansvar</i></p>	<p>Vi gør udtrykkeligt opmærksom på at i henhold til produktansvarsloven er vi ikke ansvarlige for skader forårsaget af vores udstyr, hvis det skyldes uautoriserede reparationer eller hvis dele er skiftet ud og der ikke er anvendt originale GARDENA dele eller dele godkendt af os, eller hvis reparationerne ikke er udført af GARDENA-service eller en autoriseret fagmand. Det samme gælder for ekstra udstyr og tilbehør.</p>

<p>D EU-Konformitätserklärung Maschinenverordnung (9. GSGVO) / EMVG / Niedersp. RL Der Unterzeichnete GARDENA Manufacturing GmbH, Hans-Lorenser-Str. 40, D-89079 Ulm, bestätigt, dass die nachfolgend bezeichneten Geräte in der von uns in Verkehr gebrachten Ausführung die Anforderungen der harmonisierten EU-Richtlinien, EU-Sicherheitsstandards und produktspezifischen Standards erfüllen. Bei einer nicht mit uns abgestimmten Änderung der Geräte verliert diese Erklärung ihre Gültigkeit.</p>	<p>Bezeichnung des Gerätes: Vielflächen-Regner Description of the unit: Large-Area Irrigation Désignation du matériel : Arroseur multisurfaces Ormschrijving van het apparaat: Multi-instelbare sproeier Produktbeskrivning: AquaContour automatic Descrizione del prodotto: Irrigatore per superfici irregolari</p> <p>Descripción de la mercancía: Aspersor de múltiples superficies Aspersores de grandes superficies AquaContour automatic</p>
<p>GB EU Certificate of Conformity The undersigned GARDENA Manufacturing GmbH, Hans-Lorenser-Str. 40, D-89079 Ulm, hereby certifies that, when leaving our factory, the units indicated below are in accordance with the harmonised EU guidelines, EU standards of safety and product specific standards. This certificate becomes void if the units are modified without our approval.</p>	<p>Descrição do aparelho: Beskrivelse af enhederne:</p>
<p>F Certificat de conformité aux directives européennes Le constructeur, soussigné : GARDENA Manufacturing GmbH, Hans-Lorenser-Str. 40, D-89079 Ulm, déclare qu'à la sortie de ses usines le matériel neuf désigné ci-dessous était conforme aux prescriptions des directives européennes énoncées ci-après et conforme aux règles de sécurité et autres règles qui lui sont applicables dans le cadre de l'Union européenne. Toute modification portée sur ce produit sans l'accord express de GARDENA supprime la validité de ce certificat.</p>	<p>Typ: Art.-Nr.: Type: Art. No.: Type : Référence : Type : AquaContour Art. nr.: Type: automatic Art.n.r. : 8133 Modello: Art. : Tipo: Art. Nº: Tipo: Art. Nº: Type: Varenr. :</p>
<p>NL EU-overeenstemmingsverklaring Ondergetekende GARDENA Manufacturing GmbH, Hans-Lorenser-Str. 40, D-89079 Ulm, bevestigt, dat het volgende genoemde apparaat in de door ons in de handel gebrachte uitvoering voldoet aan de eis van, en in overeenstemming is met de EU-richtlijnen, de EU-veiligheidsstandaard en de voor het product specifieke standaard. Bij een niet met ons afgestemde verandering aan het apparaat verliest deze verklaring haar geldigheid.</p>	<p>EU-Richtlijnen : EU directives : Directives européennes : EU-richtlijnen : 98/37/EC EU direktiv : 89/336/EC Direttive UE : Normativa UE : Directrizes da UE : EU Retningslinier :</p>
<p>S EU Tillverkarintyg Undertecknad firma GARDENA Manufacturing GmbH, Hans-Lorenser-Str. 40, D-89079 Ulm, intygar härmed att nedan nämnda produkter överensstämmer med EU:s direktiv, EU:s säkerhetsstandard och produktspecifikation. Detta intyg upphör att gälla om produkten ändras utan vårt tillstånd.</p>	<p>Harmonisierte EN: EN ISO 1200-1:04/04 EN ISO 1200-2:04/04</p>
<p>I Dichiarazione di conformità alle norme UE La sottoscritta GARDENA Manufacturing GmbH, Hans-Lorenser-Str. 40, D-89079 Ulm, certifica che il prodotto qui di seguito indicato, nei modelli da noi commercializzati, è conforme alle direttive armonizzate UE nonché agli standard di sicurezza e agli standard specifici di prodotto. Qualunque modifica apportata al prodotto senza nostra specifica autorizzazione invalida la presente dichiarazione.</p>	<p>Anbringningsjahr der CE-Kennzeichnung : Year of CE marking : Date d'apposition du marquage CE : Installatiejaar van de CE-aanduiding : CE-Mærkningsår: 2006 Anno di rilascio della certificazione CE : Colocación del distintivo CE : Ano de marcação pela CE : CE-Mærkningsår :</p>
<p>E Declaración de conformidad de la UE El que suscribe GARDENA Manufacturing GmbH, Hans-Lorenser-Str. 40, D-89079 Ulm, declara que la presente mercancía, objeto de la presente declaración, cumple con todas las normas de la UE, en lo que a normas técnicas, de homologación y de seguridad se refiere. En caso de realizar cualquier modificación en la presente mercancía sin nuestra previa autorización, esta declaración pierde su validez.</p>	
<p>P Certificado de conformidade da UE Os abaixo mencionados GARDENA Manufacturing GmbH, Hans-Lorenser-Str. 40, D-89079 Ulm, por este meio certificam que ao sair da fábrica o aparelho abaixo mencionado está de acordo com as diretrizes harmonizadas da UE, padrões de segurança e de produtos específicos. Este certificado ficará nulo se a unidade for modificada sem a nossa aprovação.</p>	<p> Peter Lameli</p>
<p>DK EU Overensstemmelse certificat Undertegnede GARDENA Manufacturing GmbH, Hans-Lorenser-Str. 40, D-89079 Ulm bekræfter hermed, at enheder listet herunder, ved afsendelse fra fabrikken, er i overensstemmelse med harmoniserede EU retningslinier, EU sikkerhedsstandarder og produktspecifikationsstandarder. Dette certifikat træder ud af kraft hvis enhederne er ændret uden vor godkendelse.</p>	<p>Ulm, den 01.08.2006 Ulm, 01.08.2006 Fait à Ulm, le 01.08.2006 Ulm, 01-08-2006 Ulm, 2006.08.01. Ulm, 01.08.2006 Ulm, 01.08.2006 Ulm, 01.08.2006 Ulm, 01.08.2006 Ulm, 01.08.2006</p> <p>Technische Leitung Technische Dept. Manager Direction technique Hoofd technische dienst Technical Director Direzione Tecnica Dirección Técnica Director Técnico Teknisk direktør</p>

Deutschland / Germany

GARDENA
Manufacturing GmbH
Service Center
Hans-Lorenser-Straße 40
D-89079 Ulm
Produktfragen:
(+49) 731 490-123
Reparaturen:
(+49) 731 490-290
service@gardena.com

Argentina

Argensem® S.A.
Calle Colonia Japonesa s/n
(1625) Loma Verde
Escobar, Buenos Aires
Phone: (+54) 34 88 49 40 40
info@argensem.com.ar

Australia

Nylex Consumer Products
50-70 Stanley Drive
Somerton, Victoria, 3062
Phone: (+61) 1800 658 276
spare.parts@nylex.com.au

Austria / Österreich

GARDENA
Österreich Ges.m.b.H.
Stettnerweg 11-15
2100 Korneuburg
Tel.: (+43) 22 62 7 45 45 36
kundendienst@gardena.at

Belgium

GARDENA Belgium NV/SA
Sterrebeekstraat 163
1930 Zaventem
Phone: (+32) 2 7 20 92 12
Mail: info@gardena.be

Brazil

Palash Comércio e
Importação Ltda.
Rua Américo Brasiliense,
2414 - Chácara Sto Antonio
São Paulo - SP - Brasil -
CEP 04715-005
Phone: (+55) 11 5181-0909
eduardo@palash.com.br

Bulgaria

DENEX LTD.
2 Luis Ahalier Str. - 7th floor
Sofia 1404
Phone: (+359) 2 958 18 21
office@denex-bg.com

Canada

GARDENA Canada Ltd.
100 Summerlea Road
Brampton, Ontario L6T 4X3
Phone: (+1) 905 792 93 30
info@gardenacanada.com

Chile

Antonio Martinic y Cia Ltda.
Cassillas 272
Centro de Cassillas
Santiago de Chile
Phone: (+56) 2 20 10 708
garfar_cl@yahoo.com

Costa Rica

Compania Exim
Euroberoamericana S.A.
Los Colegios, Moravia,
200 metros al Sur del Colegio
Saint Francis - San José
Phone: (+506) 297 68 83
exim_euro@racsa.co.cr

Croatia

KLIS d.o.o.
Stanciceva 79
10419 Vukovina
Phone: (+385) 1 622 777 0
gardena@klis-trgovina.hr

Cyprus

FARMOKIPIKI LTD
P.O. Box 7098
74, Digeni Akritra Ave.
1641 Nicosia
Phone: (+357) 22 75 47 62
condam@spidernet.com.cy

Czech Republic

GARDENA spol. s r.o.
Řípská 20a, č.p. 1153
627 00 Brno
Phone: (+420) 800 100 425
gardena@gardenabmo.cz

Denmark

GARDENA Norden AB
Salgsafdeling Danmark
Box 9003
S-200 39 Malmö
info@gardena.dk

Finland

Habitec Oy
Martinkyläntie 52
01720 Vantaa

France

GARDENA
PARIS NORD 2
69, rue de la Belle Etoile
BP 57080
ROISSY EN FRANCE
95948 ROISSY CDG CEDEX
Tél. (+33) 0826 101 455
service.consommateurs@
gardena.fr

Great Britain

GARDENA UK Ltd.
27-28 Brenkley Way
Blezzard Business Park
Seaton Burn
Newcastle upon Tyne
NE13 6DS
info@gardena.co.uk

Greece

Agrokrip
Psomadopoulos S.A.
Ifaistou 33A
Industrial Area Koropi
194 00 Athens Greece
V.A.T. EL093474846
Phone: (+30) 210 66 20 225
service@agrokrip.gr

Hungary

GARDENA
Magyarország Kft.
Késmárk utca 22
1158 Budapest
Phone: (+36) 80 20 40 33
gardena@gardena.hu

Iceland

Ó. Johnson & Kaaber
Tunguhalsi 1
110 Reykjavik
oaj@ojk.is

Ireland

Michael McLoughlin & Sons
Hardware Limited
Long Mile Road
Dublin 12

Italy

GARDENA Italia S.p.A.
Via Donizetti 22
20020 Lainate (Mi)
Phone: (+39) 02.93.94.79.1
info@gardenaitalia.it

Japan

KAKUICHI Co. Ltd.
Sumitomo Realty &
Development Kojimachi
BLDG., 8F
5-1 Nibannayo, Chiyoda-ku
Tokyo 102-0084
Phone: (+81) 33 264 4721
m_ishihara@kaku-ichi.co.jp

Luxembourg

Magasins Jules Neuberg
Grand Rue 30
Boîte postale 12
L-2010 Luxembourg
Phone: (+352) 40 14 01
info@neuberg.lu

Netherlands

GARDENA Nederland B.V.
Postbus 50176
1305 AD ALMERE
Phone: (+31) 36 521 00 00
info@gardena.nl

Neth. Antilles

Jonka Enterprises N.V.
Sta. Rosa Weg 196
P.O. Box 8200
Curaçao
Phone: (+599) 9 767 66 55
pgm@jonka.com

New Zealand

NYLEX New Zealand Limited
Building 2, 118 Savill Drive
Mangere, Auckland
Phone: (+64) 9 270 1806
lena.chapman@nylex.com.au

Norway

GARDENA Norden AB
Salgskontor Norge
Karihaugveien 89
1086 Oslo
info@gardena.no

Poland

GARDENA Polska Sp. z o.o.
Szymanów 9 d
05-532 Baniocza
Phone: (+48) 22 727 56 90
gardena@gardena.pl

Portugal

GARDENA Portugal Lda.
Recta da Granja do Marquês
Edif. GARDENA Algueirão
2725-596 Mem Martins
Phone: (+351) 21 922 85 30
info@gardena.pt

Romania

MADEX INTERNATIONAL SRL
Soseaua Odaii 117-123,
Sector 1,
București, RO 013603
Phone: (+40) 21 352 76 03
madex@ines.ro

Russia / Россия

ООО ГАРДЕНА РУС
123007, г. Москва
Хорошевское шоссе, д. 32А
Тел.: (+7) 495 247 25 10
info@gardena-rus.ru

Singapore

Hy - Ray PRIVATE LIMITED
40 Jalan Pemimpin
#02-08 Tat Ann Building
Singapore 577185
Phone: (+65) 6253 2277
hyray@singnet.com.sg

Slovak Republic

GARDENA Slovensko, s.r.o.
Panónska cesta 17
851 04 Bratislava
Phone: (+421) 263 453 722
info@gardena.sk

Slovenia

GARDENA d.o.o.
Brodišče 15
1236 Trzin
Phone: (+386) 1 580 93 32
servis@gardena.si

South Africa

GARDENA
South Africa (Pty.) Ltd.
P.O. Box 11534
Vorna Valley 1686
Phone: (+27) 11 315 02 23
sales@gardena.co.za

Spain

GARDENA IBÉRICA S.L.U.
C/ Basauri, nº 6
La Florida
28023 Madrid
Phone: (+34) 91 708 05 00
atencioncliente@gardena.es

Sweden

GARDENA Norden AB
Försäljningskontor Sverige
Box 9003
200 39 Malmö
info@gardena.se

Switzerland / Schweiz

GARDENA (Schweiz) AG
Bitzberg 1
8184 Bachenbülach
Phone: (+41) 848 800 464
info@gardena.ch

Turkey

GARDENA / Dost Diş Ticaret
Müessesilik A.Ş. Sanayi
Çad. Adil Sokak No. 1
Kartal - İstanbul
Phone: (+90) 216 38 93 939
info@gardena-dost.com.tr

Ukraine / Украина

ALTEST JSC
4 Petropavlivska Street
Petropavlivska
Borschahivka Town
Kyivo Svyatoshyn Region
08130, Ukraine
Phone: (+380) 44 459 57 03
upryr@altsest.kiev.ua

USA

Melnor Inc.
3085 Shawnee Drive
Winchester, VA 22604
Phone: (+1) 540 722-9080
service_us@melnor.com

8133-20.960.01/1106

© GARDENA

Manufacturing GmbH
D-89070 Ulm

http://www.gardena.com