

Art. 1407

- |             |  |
|-------------|--|
| <b>D</b>    | <b>Gebrauchsanweisung</b><br>Blumenkastenbewässerung               |
| <b>GB</b>   | <b>Operating Instructions</b><br>Flower Box Watering Set           |
| <b>F</b>    | <b>Mode d'emploi</b><br>Arrosoir automatique balcons et terrasses  |
| <b>NL</b>   | <b>Gebruiksaanwijzing</b><br>Bloembakbesproeiingsset               |
| <b>SCAN</b> | <b>Bruksanvisning</b><br>Blomsterkassevanning                      |
| <b>I</b>    | <b>Istruzioni per l'uso</b><br>Idrokit per fioriere                |
| <b>E</b>    | <b>Manual de instrucciones</b><br>Riego para jardineras            |
| <b>P</b>    | <b>Instruções de utilização</b><br>Conjunto de rega para canteiros |

**D**

**Bitte lesen Sie diese Gebrauchsanweisung vor Inbetriebnahme Ihres Gerätes sorgfältig. Beim Lesen der Gebrauchsanweisung bitte die Umschlagseite herausklappen.**

Inhaltsverzeichnis	Seite
1. Technische Daten	4
2. Hinweise zur Gebrauchsanweisung	4
3. Ordnungsgemäßer Gebrauch	4
4. Funktion des Gerätes	4
5. Vorbereitung zum Aufbau	5
6. Aufbau der Anlage	5
7. Inbetriebnahme	6
8. Wartung, Pflege, Aufbewahrung	7
9. Störungen	8
10. Hinweise zur ordnungsgemäßen Benutzung / Sicherheitshinweise	8
Garantie	47
Garantiekarte	49

**GB**

**Please read these operating instructions carefully before using the unit. Unfold inside cover page to read the operating instructions.**

Contents	Page
1. Technical data	10
2. Notes on operating instructions	10
3. Proper use	10
4. Equipment and application	10
5. Assembly preparations	11
6. Assembly of the system	11
7. Operating the system	12
8. Maintenance, care, storage	13
9. Faults	13
10. Notes on correct use, safety notes	14
Guarantee	47
Warranty card	49

**F**

**Nous vous remercions de bien vouloir lire attentivement ce mode d'emploi avant d'utiliser votre arrosoir automatique. En dépliant le volet de la couverture, vous aurez sous les yeux une série d'illustrations vous permettant une meilleure compréhension de ce mode d'emploi.**

Contenu	Page
1. Caractéristiques techniques	15
2. Informations sur le mode d'emploi	15
3. Domaine d'utilisation	15
4. Descriptif de l'appareil	15
5. A propos de la consommation en eau	16

6. Montage	17
7. Utilisation	17
8. Entretien et rangement	19
9. Incidents de fonctionnement	19
10. Précautions d'emploi et conseils de sécurité	20
Garantie	47
Carte de garantie	49

**NL**

**Lees deze gebruiksaanwijzing voor montage en ingebruikname van het apparaat zorgvuldig door. Bij het lezen van de gebruiksaanwijzing de bladzijde met de afbeeldingen openslaan.**

Inhoudsopgave	Pagina
1. Technische gegevens	21
2. Aanwijzingen bij de gebruiksaanwijzing	21
3. Juiste gebruik	21
4. Functie van het apparaat	21
5. Voorbereiding voor de opbouw	22
6. Opbouwen van de installatie	22
7. Ingebruikname	23
8. Onderhoud en opslag	24
9. Storingen	25
10. Aanwijzingen voor het juiste gebruik, veiligheidsaanwijzingen	25
Garantie	47
Garantiekartaat	49

**SCAN**

**Les nøy gjennom denne bruksanvisningen før du bruker apparatet. Brett ut utbrettsiden når du leser bruksanvisningen.**

Innholdsbeskrivelse	Sida
1. Tekniske data	27
2. Merknader om bruksanvisningen	27
3. Riktig bruk	27
4. Apparatets funksjon	27
5. Forberedelser før installasjonen	28
6. Installasjon av anlegget	28
7. Start av anlegget	29
8. Vedlikehold, pleie, oppbevaring	30
9. Driftsforstyrrelser	30
10. Merknader om forskriftsmessig bruk, sikkerhetsinstruks	30
Garanti	48
Garantikort	49

**I**

**Prima di mettere in uso l'idrokit per fioriere, leggere attentamente le istruzioni tenendo aperto il pieghevole per avere sott'occhio i disegni esplicativi.**

Indice	pagina
1. Dati tecnici	32
2. Avvertenze	32
3. Uso corretto	32
4. Funzioni	32
5. Scelta del serbatoio	33
6. Realizzazione dell'impianto	33
7. Messa in uso	34
8. Manutenzione	35
9. Anomalie di funzionamento	35
10. Norme d'uso e di sicurezza	36
Garanzia	48
Certificato di garanzia	49

**E**

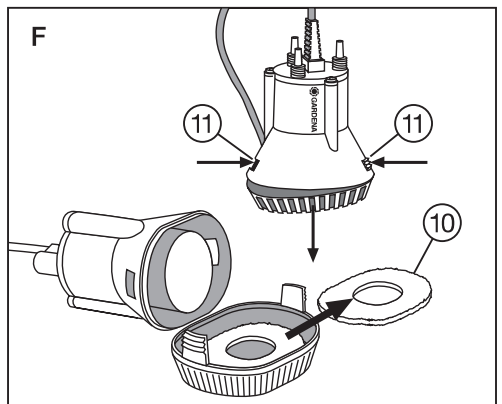
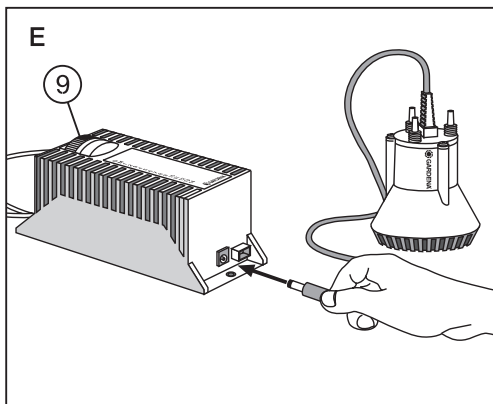
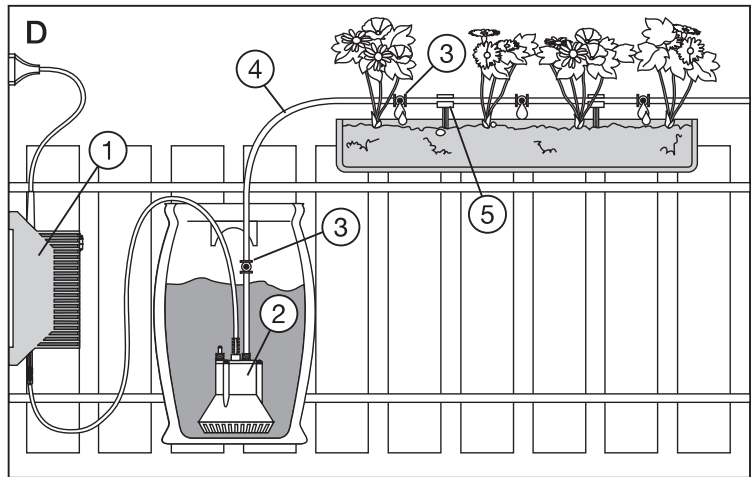
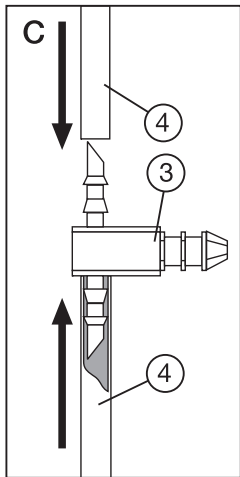
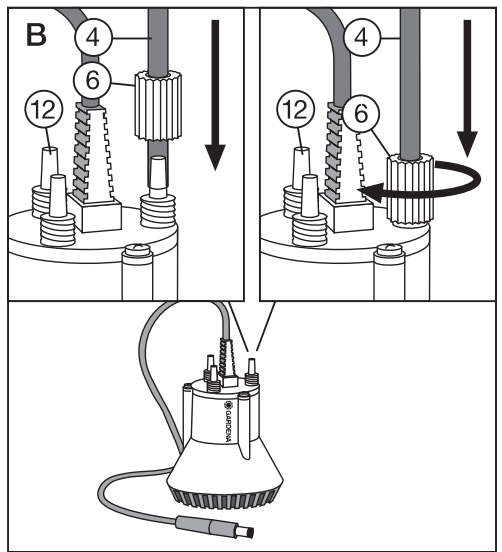
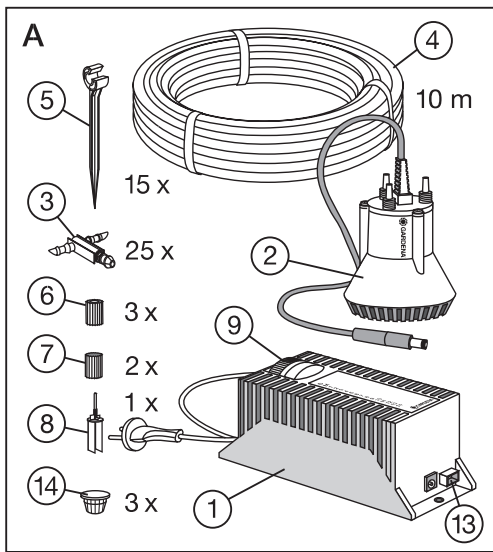
**Antes del montaje y de la puesta en marcha del aparato, aconsejamos una atenta lectura del presente manual de instrucciones. Para facilitar la lectura, desdoble la cubierta.**

Índice	Página
1. Datos técnicos	37
2. Indicaciones sobre el manual de instrucciones	37
3. Uso correcto	37
4. Funcionamiento del aparato	37
5. Preparación de la instalación	38
6. Instalación del sistema	38
7. Puesta en servicio	39
8. Mantenimiento, cuidados y almacenamiento	40
9. Fallos	40
10. Indicaciones para el uso correcto, indicaciones de seguridad	41
Garantía	48
Tarjeta de garantía	49

**P**

**Por favor leia atentamente estas instruções de manejo antes de montar e utilizar este Conjunto de rega para canteiros. Desdobre as páginas na capa interior para ler as instruções de manejo.**

Conteúdo	Página
1. Dados técnicos	42
2. Observações sobre as Instruções de manejo	42
3. Utilização correcta	42
4. Função do aparelho	42
5. Preparação para a montagem	43
6. Montagem do sistema	43
7. Colocação em funcionamento	44
8. Manutenção, conservação e armazenamento	45
9. Falhas	45
10. Observações sobre a utilização correcta, regras de segurança	46
Garantia	48
Carta de garantia	49



# GARDENA Flower Box Watering Set

## 1. Technical data

### Transformer with Timer

Encapsulated low-voltage safety transformer with thermoprotection, which prevents damage from overloading or short circuits, for use indoors and outdoors.

Input voltage	230 V
Frequency	50 / 60 Hz
Output voltage	14 V ---
Power	30 VA
Max. ambient temperature	+ 40 °C
Protection class	II
Power cable (supplied)	2 m, type H05-RNF

### Pump

Operating voltage	14 V
Operating current (max.)	1.7 A
Max. pressure	1 bar (14 psi)
Max. flow	180 l/h

## 2. Notes on operating instructions

Please read these operating instructions carefully and observe the notes given.  
Use the instructions to familiarise yourself with the operating con-

trols, their correct use and the notes on safety.



**For safety reasons, children under 16 as well as persons not familiar with these**

**operating instructions should not use this Flower Box Watering system.**

**Keep these operating instructions in a safe place.**

## 3. Proper use

The GARDENA Flower Box Watering system is designed for use in domestic environments.

Gardening tools for domestic applications are not designed for use in public grounds, parks,

sport centres, roads, agriculture or forestry.

Compliance with the instructions provided by the manufacturer is a prerequisite for using the tool correctly.

The operating instructions also include the conditions for operation, repair and maintenance.

## 4. Equipment and application

### 4.1 Contents (fig. A)

The Flower Box Watering Set consists of the following components:

- ① 1 Transformer with 13 fixed programmes for selection
- ② 1 Submersible pump (operating voltage 14 V)
- ③ 25 Inline Drip Heads, each 2 l/h
- ④ 10 m Supply Pipe  $\varnothing$  4.6 mm (3/16")

- ⑤ 15 Pipe Pegs  $\varnothing$  4.6 mm (3/16")
- ⑥ 3 Sleeves
- ⑦ 2 End Caps (for water pump)
- ⑧ 1 Cleaning Needle
- ⑬ 3 End Caps (for Inline Drip Heads)

### 4.2 Flower Box Watering system application

The Flower Box Watering System allows fully automatic watering

of plants without tap connection e. g. in flower boxes.

There are 13 fixed programmes available for selection.

**Ideal:** One Inline Drip Head for each plant. The set supplied can irrigate up to 25 plants (using one Inline Drip Head per plant), in 5 to 6 flower boxes of 1 m length each including spacing between the boxes (10 m total length for the Supply Pipe).

**Note:** The system can be extended to supply up to 10 flower boxes by adding matching accessories from the GARDENA Micro-Drip-System (Supply Pipe, Pipe Pegs and Inline Drip Heads).

**Important note:**  
In this case, the Supply Pipe must be connected to the second water tap connection of the pump.

A maximum of 40 Inline Drip Heads can be connected.

## 5. Assembly preparations

### 5.1 Water quantity/container

Before starting to assemble the system, establish the water consumption over a given period of time, which subsequently determines the size of the container required.

#### Example:

You want to water 2 flower boxes each containing 4 plants and 4 Inline Drip Heads 3 minutes per day for 10 days.

Each Inline Drip Head delivers 2 l/h, i.e. 0.1 l in 3 mins.

The quantity of water for our 8 Inline Drip Heads will be 0.8 l per day, 8 l for 10 days. (Information regarding the water consumption of the installation for

the various watering programs which can be selected, can be found in the section entitled "Fixed transformer programmes").

#### Result:

A 10 l bucket will suffice as a container for this example.

**Note: When using a water container of a large capacity (eg: 100-150 l or more), the maximum weight load for your balcony according to DIN 1055 should be taken into account.**

**Note: If the GARDENA Soil Moisture Sensor (Art. No. 1188) is included in the system, watering is carried out taking the moisture content of the soil**

**into account. This means that despite programmed watering, no water will be distributed if the Soil Moisture Sensor measures sufficient moisture already in the soil (refer also to the operating instructions for the Soil Moisture Sensor).**

**If the GARDENA Rain Sensor (Art. No. 1189) is connected, watering is interrupted if it starts to rain. It is only worth connecting the GARDENA Rain Sensor if the flower boxes are exposed to natural rain fall and are not fitted underneath the roof.**

## 6. Assembly of the system (fig. B-D)

### 6.1 Assembly of the watering system

- Fit the sleeve ⑥ to the Supply Pipe ④; attach the Supply Pipe ④ to one of the three water connections ⑫ of the pump and screw the Supply Pipe with the sleeve in accordance with figure B.
- If the remaining two water connections ⑫ of the pump are not in use, close these by screwing on End Caps ⑦.
- Note: We recommend to install the first Inline Drip Head ③ immediately above the water level in the container. This ensures that the system is vented and prevents any dripping of water when the system is turned off, especially if Inline Drip Heads are installed at a lower height than the water level in the container.**
- Cut the Supply Pipe ④ where you want to insert the Inline Drip Head, push the barb into the pipe until completely covered (fig. C, bottom).
- Push the other barb of the Inline Drip Head ③ into the other end of the Supply Pipe ④ (fig. C, top).
- Mark the installation position of all other Inline Drip Heads and install in the manner described in 4. and 5.
- Place the Pipe Pegs ⑤ in the flower boxes in the chosen positions and attach the Supply Pipe ④ to the Pipe Pegs (fig. D).  
**Tip:** We recommend 3 Pipe Pegs for each flower box of 1 m length.
- When using the GARDENA Soil Moisture Sensor (Art. No. 1188) it must be installed in one of the flower boxes to be

watered. When connecting the GARDENA Rain Sensor (Art. No. 1189) it should be connected so that the sensor (and the flower boxes) are exposed to natural rainfall. Please refer to the operating instructions for the GARDENA Soil Moisture Sensor or GARDENA Rain Sensor.

- Close the open end of the last Inline Drip Head using the End Cap supplied ⑭.

### 6.2 Positioning the water container / level (fig. D)

**Important! When choosing the location for the water container, please ensure that the water level is at a lower height than the flower boxes. This will avoid the water dripping after the irrigation process! However, if the flower**

boxes are positioned at a lower height than the water level, we

recommend to install the first Inline Drip Head directly above the water level in the container.


This allows venting of the system and prevents dripping.


## 7. Operating the system

### 7.1 Operating the system

(fig. A/E)



1. Fill the container with at least the required quantity of water.
2. Connect the pump to the transformer (fig. E).

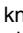
 **Use only the GARDENA transformer supplied and never connect the pump directly to the mains supply!**

 **Position the transformer in a safe and dry location.**


3. Place the pump in filled container.

**Note:** The pump must rest flat on the bottom of the water container.

4. If using the GARDENA Soil Moisture Sensor (Art. No. 1188) or the Rain Sensor (Art. No. 1189), connect the sensor now to the transformer at the socket “Sensor” , fig. A.
5. Set the adjustment knob  to position **0** and insert the mains plug into an outlet socket.
6. Set the selected watering programme with the adjustment

knob . The system will operate as per selected programme (refer also to 7.2).

7. Check that all connections are firmly tightened.

 **The pump should never be operated without water, so as to avoid damage to the pump.**

### 7.2 Fixed transformer programmes

Select one of the following fixed programmes.

Position	Frequency	Run Time	Description	10 Inline Drip Heads l/day
<b>0</b>	Off/Reset	–	No watering; system turned off.	–
<b>M</b>	On	3 min.	Watering once; duration 3 minutes	1 l (once)
<b>1</b>	3rd day	3 min.	Watering every 3rd day for 3 minutes	1 l / 3rd day
<b>2</b>	2nd day	3 min.	Watering every 2nd day for 3 minutes	1 l / 2nd day
<b>3</b>	3rd day	6 min.	Watering every 3rd day for 6 minutes	2 l / 3rd day
<b>4</b>	2nd day	6 min.	Watering every 2nd day for 6 minutes	2 l / 2nd day
<b>5</b>	24 h	3 min.	Watering every 24 hours for 3 minutes	1 l
<b>6</b>	8 h	1 min.	Watering every 8 hours for 1 minute	1 l
<b>7</b>	24 h	6 min.	Watering every 24 hours for 6 minutes	2 l
<b>8</b>	12 h	3 min.	Watering every 12 hours for 3 minutes	2 l
<b>9</b>	8 h	3 min.	Watering every 8 hours for 3 minutes	3 l
<b>10</b>	12 h	6 min.	Watering every 12 hours for 6 minutes	4 l
<b>11</b>	8 h	6 min.	Watering every 8 hours for 6 minutes	6 l
<b>12</b>	6 h	6 min.	Watering every 6 hours for 6 minutes	8 l
<b>13</b>	4 h	6 min.	Watering every 4 hours for 6 minutes	12 l
<b>14</b>	Automatic	–	When the GARDENA Soil Moisture Sensor is connected – see Chapter “Sensor Operation”	–

### 7.3 Sensor Operation

By selecting **programs 1-13** when the GARDENA Soil Moisture Sensor (Art. No. 1188) is connected, timer-controlled watering is prevented or interrupted if the soil is sufficiently moist.

Alternatively, by connecting the GARDENA Rain Sensor (Art. No. 1189) watering can be prevented or interrupted if it starts to rain.

By selecting **automatic program 14**, watering can be switched on and off completely automatically

depending on the moisture level of the soil. You must connect the GARDENA Soil Moisture Sensor (Art. No. 1188) and set the control knob on the Soil Moisture Sensor to position **2** (see also the notes in the Soil Moisture Sensor operating instructions).

## 8. Maintenance, care, storage

**⚠ Attention! Disconnect the mains plug before carrying out any work on the system!**

### Cleaning the filter (fig. F)

The pump is almost maintenance-free.

It has an integrated filter which needs to be cleaned in the following way, after the system has been shut-off:

1. Press both orange locking knobs (11) and remove the base of the pump (fig. F).

2. Take out the filter (10) and rinse in clean water.
3. Replace the filter into the suction base.
4. Re-connect the base to the pump. Ensure that locking knobs snap firmly into position.

**⚠ Attention! The housing of the pump is sealed at the thread. Any work on electrical parts must only be carried out by GARDENA Service.**

In frost affected areas the pump and transformer must be stored in a dry place.



**Disposal:**  
(in accordance with  
RL2002/96/EC)

Device may not be added to normal household refuse but must be disposed of in the technically correct way.

## 9. Faults

Fault	Possible cause	Remedy
<b>Pump does not run.</b>	Mains connector or pump connector are not plugged in.	Insert the mains plug in the outlet socket, or the pump connector plug in the socket at the transformer.
	Soil Moisture Sensor / Rain Sensor indicates moisture.	Wait until the Soil Moisture Sensor / Rain Sensor has dried out sufficiently.
<b>No water is delivered.</b>	Container is empty.	Fill container with water.
	The pump filter (10) is blocked.	Clean the pump filter (section 8.1).
<b>The watering cycles are incorrect.</b>	The adjustment knob (9) of the transformer is set in between programmes.	Set the adjustment knob exactly onto desired position.
<b>The system still runs after the pump has been turned off.</b>	Inline Drip Heads are installed lower than water level in container.	Choose another location for the container, where the water level is below the Inline Drip Heads. Install an Inline Drip Head to vent the system.


If you have any problem with your Flower Box Watering system, please contact our Customer Service or return the defective unit together with a short description of the problem directly to one of the GARDENA Service Centres listed on the back of this leaflet.


If covered under guarantee, please include the completed and signed warranty card.

**We expressly point out that, in accordance with the product liability law, we are not liable for any damage caused by our units if it is due to improper**


**repair or if parts exchanged are not original GARDENA parts or parts approved by us, and, if the repairs were not carried out by a GARDENA Service Centre or an authorised specialist. The same applies to spare parts and accessories.**


## 10. Notes on correct use, safety notes


 Only use Original GARDENA parts, as the function of the system cannot otherwise be guaranteed.


 Check the power cable for the transformer and the extension cable for the pump at regular intervals for damage. Only connectors and cables in perfect condition should be used. Disconnect the connector from the mains immediately in the event of damage to the power cable


at the transformer or to the connecting cable for the pump.


 Damaged power cables cannot be replaced on encapsulated transformers.

 Damaged connecting cables to the pump can only be replaced by GARDENA Service.

 Disconnect the mains plug of the transformer from the outlet socket for all work on the Flower Box Watering system.

 The pump may only be operated with 14-V protected low-voltage in combination with the GARDENA transformer and timer.

 Risk of fatal injuries if connected directly to 230 V!

 Do not let the pump run dry.

## EU Certificate of Conformity

The undersigned

GARDENA Manufacturing GmbH · Hans-Lorenser-Str. 40 · D-89079 Ulm

hereby certifies that, when leaving our factory, the unit indicated below is in accordance with the harmonised EU guidelines, EU standards of safety and product specific standards.

This certificate becomes void if the unit is modified without our approval.

### Description of the unit:

Flower Box Watering Set  
(Transformer – Timer / Pump)

### Art. no.:

1407

### EU directives:

Machinery Directive 98/37/EC  
Electromagnetic Compatibility  
89/336/EC  
Low Voltage Directive  
2006/95/EC  
Directive 93/68/EC

### Year of CE marking:

1997

Ulm, 06.08.1998



Thomas Heini  
Technical Dept. Manager



**D****Garantie**

GARDENA gewährt für dieses Produkt 2 Jahre Garantie (ab Kaufdatum). Diese Garantieleistung bezieht sich auf alle wesentlichen Mängel des Gerätes, die nachweislich auf Material- oder Fabrikationsfehler zurückzuführen sind. Sie erfolgt durch die Ersatzlieferung eines einwandfreien Gerätes oder durch die kostenlose Reparatur des eingesandten Gerätes nach unserer Wahl, wenn folgende Voraussetzungen gewährleistet sind:

- Das Gerät wurde sachgemäß und laut den Empfehlungen in der Gebrauchsanweisung behandelt. Es wurde weder vom Käufer noch von einem Dritten versucht, das Gerät zu reparieren.
- Das Gerät wurde ausreichend frankiert direkt an eine der GARDENA Servicestellen gesandt, unter Beifügung der vollständig ausgefüllten Garantiekarte bzw. des Rechnungsbeleges.

Diese Hersteller-Garantie berührt die gegenüber dem Händler/Verkäufer bestehenden Gewährleistungsansprüche nicht.

Im Reklamationsfall die Garantiekarte ausschneiden und mit dem Gerät einsenden.

**GB****Guarantee**

GARDENA guarantees this product for 24 months (from date of purchase). This guarantee covers all serious defects of the unit that can be proved to be material or manufacturing faults. Under warranty we will either replace the unit or repair it free of charge if the following conditions apply:

- The unit must have been handled properly and in keeping with the requirements of the operating instructions.

Neither the purchaser nor a non-authorised third party have attempted to repair the unit.

- The unit has been returned directly to a GARDENA Service Centre, postage paid, together with the completed and signed warranty card and proof of purchase.

This manufacturer's guarantee does not affect the user's existing warranty claims against the dealer/seller.

In case of claim cut out the warranty card and send it together with the unit to the GARDENA Service Centre.

**F****Garantie**

Pour mieux vous servir, GARDENA accorde pour cet appareil une garantie contractuelle de 24 mois à compter du jour de l'achat. Elle est assurée par le remplacement gratuit des pièces défectueuses ou de l'appareil. Le choix en étant laissé à la libre initiative de GARDENA.

En tout état de cause s'applique la garantie légale couvrant toutes les conséquences des défauts ou vices cachés (article 1641 et suivants du Code Civil).

Pour que ces garanties soient valables, les conditions suivantes doivent être remplies :

- L'appareil a été manipulé de manière adéquate, suivant les instructions du mode d'emploi.
- Il n'y a eu aucun essai de réparation, ni par le client, ni par un tiers.
- L'appareil et la carte de garantie dûment remplies ont été retournés en port payé au Service Après-Vente de GARDENA France ou à l'un des Centres SAV agréés GARDENA.

Une intervention sous garantie ne prolonge pas la durée initiale de la garantie contractuelle.

**Toutes les revendications dépassant le contenu de ce texte ne sont pas couvertes par la garantie, quel que soit le motif de droit.**

**Pendant la période de garantie, le Service Après-Vente et les Centres SAV agréés effectueront, à titre payant, les réparations nécessaires par suite de manipulations erronées.**

En cas de réclamation, découpez la carte de garantie et retournez-la avec l'appareil au Service Après-Vente de GARDENA France.

**NL****Garantie**

GARDENA geeft op dit product 24 maanden garantie (vanaf de aankoopdatum). Deze garantie heeft betrekking op alle wezenlijke defecten aan het toestel, die aanwijsbaar op materiaal- of fabriecagefouten berusten. Garantie vindt plaats door de levering van een vervangend apparaat of door de gratis reparatie van het ingestuurde apparaat, naar onze keuze, indien aan de volgende voorwaarden is voldaan:

- Het apparaat werd vakkundig en volgens de adviezen in de gebruiksaanwijzing behandeld. Noch de koper, noch een derde persoon heeft getracht het apparaat te repareren.
- Het apparaat werd voldoende gefrankeerd aan de GARDENA technische dienst gestuurd, met toevoeging van een volledig ingevulde garantietaal resp. kopie van de rekening.

Deze garantie van de producent heeft geen betrekking op de ten aanzien van de handelaar/verkoper bestaande aansprakelijkheid.

In geval van reclamatie de garantietaal uitknippen en tezamen met het apparaat opsturen.

**Garantiekarte**  
**Warranty Card**  
**Carte de garantie**  
**Garantiokaart**  
**Garantikort**  
**Certificato di garanzia**  
**Tarjeta de garantía**  
**Carta de garantia**

GARDENA Blumenkastenbewässerung	Art.-Nr. 1407
GARDENA Flower Box Watering	art. no. 1407
Arrosoir automatique balcon et terrasses GARDENA	réf. 1407
GARDENA bloembakbesproeiingsset	art.nr. 1407
GARDENA blomsterkassevanning	art.nr. 1407
Idrokit per fioriere GARDENA	art. 1407
Riego para jardineras GARDENA	art. nº 1407
Conjunto de rega para canteiros GARDENA	art. nº 1407

wurde gekauft am:

Purchase date:

Acheté le (date et lieu d'achat) :

Werd gekocht op:

Ble kjøpt hos:

Data di acquisto:

Fecha de compra:

Comprado em:

Händlerstempel:

Dealer's stamp / Receipt:

Cachet du revendeur :

Stempel van de handelaar:

Forhandlerstempel:

Timbro del rivenditore:

Sello del comerciante:

Carimbo do vendedor:

Beanstandung:

Reasons for complaint:

Défaut constaté :

Klacht:

Reklamasjonsgrunn:

Difetto riscontrato:

Avería:

Motivo de reclamação:



**Deutschland / Germany**

GARDENA  
Manufacturing GmbH  
Service Center  
Hans-Lorenser-Straße 40  
D-89079 Ulm  
Produktfragen:  
(+49) 731 490-123  
Reparaturen:  
(+49) 731 490-290  
service@gardena.com

**Argentina**

Argensem® S.A.  
Calle Colonia Japonesa s/n  
(1625) Loma Verde  
Escobar, Buenos Aires  
Phone: (+54) 34 88 49 40 40  
info@argensem.com.ar

**Australia**

Nylex Consumer Products  
50-70 Stanley Drive  
Somerton, Victoria, 3062  
Phone: (+61) 1800 658 276  
spare.parts@nylex.com.au

**Austria / Österreich**

GARDENA  
Österreich Ges.m.b.H.  
Stettnerweg 11-15  
2100 Korneuburg  
Tel.: (+43) 22 62 7 45 45 36  
kundendienst@gardena.at

**Belgium**

GARDENA Belgium NV/SA  
Sterrebeekstraat 163  
1930 Zaventem  
Phone: (+32) 2 720 92 12  
Mail: info@gardena.be

**Brazil**

Palash Comércio e  
Importação Ltda.  
Rua Américo Brasiliense,  
2414 - Chácara Sto Antonio  
São Paulo - SP - Brasil -  
CEP 04715-005  
Phone: (+55) 11 5181-0909  
eduardo@palash.com.br

**Bulgaria**

DENEX LTD.  
2 Luis Ahalier Str. - 7th floor  
Sofia 1404  
Phone: (+359) 2 958 18 21  
office@denex-bg.com

**Canada**

GARDENA Canada Ltd.  
100 Summerlea Road  
Brampton, Ontario L6T 4X3  
Phone: (+1) 905 792 93 30  
info@gardenacanada.com

**Chile**

Antonio Martinic y Cia Ltda.  
Cassillas 272  
Centro de Cassillas  
Santiago de Chile  
Phone: (+56) 2 20 10 708  
garfar\_ci@yahoo.com

**Costa Rica**

Compania Exim  
Euroiberoamericana S.A.  
Los Colegios, Moravia,  
200 metros al Sur del Colegio  
Saint Francis - San José  
Phone: (+506) 297 68 83  
exim\_euro@racsa.co.cr

**Croatia**

KLIS d.o.o.  
Stanciceva 79  
10419 Vukovina  
Phone: (+385) 1 622 777 0  
gardena@klis-irgovina.hr

**Cyprus**

FARMOKIPIKI LTD  
P.O. Box 7098  
74, Digeni Akritia Ave.  
1641 Nicosia  
Phone: (+357) 22 75 47 62  
condam@spidernet.com.cy

**Czech Republic**

GARDENA spol. s r.o.  
Řípská 20 a, č.p. 1153  
627 00 Brno  
Phone: (+420) 800 100 425  
gardena@gardenabrnno.cz

**Denmark**

GARDENA Norden AB  
Salgsafdeling Danmark  
Box 9003  
S-200 39 Malmö  
info@gardena.dk

**Finland**

Habitec Oy  
Martinkyläntie 52  
01720 Vantaa

**France**

GARDENA  
PARIS NORD 2  
69, rue de la Belle Etoile  
BP 57080  
ROISSY EN FRANCE  
95948 ROISSY CDG CEDEX  
Tél. (+33) 0826 101 455  
service.consommateurs@  
gardena.fr

**Great Britain**

GARDENA UK Ltd.  
27-28 Brenkley Way  
Blezard Business Park  
Seaton Burn  
Newcastle upon Tyne  
NE13 6DS  
info@gardena.co.uk

**Greece**

Agrokop  
Psmadopoulos S.A.  
Ifaistou 33A  
Industrial Area Koropi  
194 00 Athens Greece  
V.A.T. EL093474846  
Phone: (+30) 210 66 20 225  
service@agrokop.gr

**Hungary**

GARDENA  
Magyarország Kft.  
Késmárk utca 22  
1158 Budapest  
Phone: (+36) 80 20 40 33  
gardena@gardena.hu

**Iceland**

Ö. Johnson & Kaaber  
Tunguhalsi 1  
110 Reykjavik  
oaj@ojk.is

**Ireland**

Michael McLoughlin & Sons  
Hardware Limited  
Long Mile Road  
Dublin 12

**Italy**

GARDENA Italia S.p.A.  
Via Donizetti 22  
20020 Lainate (Mi)  
Phone: (+39) 02.93.94.79.1  
info@gardenaitalia.it

**Japan**

KAKUICHI Co. Ltd.  
Sumitomo Realty &  
Development Kojimachi  
BLDG., 8F  
5-1 Nibanncyo, Chiyoda-ku  
Tokyo 102-0084  
Phone: (+81) 33 264 4721  
m\_ishihara@kaku-ichi.co.jp

**Luxembourg**

Magasins Jules Neuberg  
39, rue Jacques Stas  
Luxembourg-Gasperich 2549  
Case Postale No. 12  
Luxembourg 2010  
Phone: (+352) 40 14 01  
api@neuberg.lu

**Netherlands**

GARDENA Nederland B.V.  
Postbus 50 176  
1305 AD ALMERE  
Phone: (+31) 36 521 00 00  
info@gardena.nl

**Neth. Antilles**

Jonka Enterprises N.V.  
Sta. Rosa Weg 196  
P.O. Box 8200, Curaçao  
Phone: (+599) 9 767 66 55  
pgm@jonka.com

**New Zealand**

NYLEX New Zealand Limited  
Building 2, 118 Savill Drive  
Mangere, Auckland  
Phone: (+64) 9 270 1806  
lena.chapman@nylex.com.au

**Norway**

GARDENA Norden AB  
Salgskontor Norge  
Karihaugveien 89  
1086 Oslo  
info@gardena.no

**Poland**

GARDENA Polska Sp. z o.o.  
Szymanów 9 d  
05-532 Baniocza  
Phone: (+48) 22 727 56 90  
gardena@gardena.pl

**Portugal**

GARDENA Portugal Lda.  
Recta da Granja do Marquês  
Edif. GARDENA Algueirão  
2725-596 Mem Martins  
Phone: (+351) 21 922 85 30  
info@gardena.pt

**Romania**

MADEX INTERNATIONAL SRL  
Soseaua Odaii 117-123,  
Sector 1,  
București, RO 013603  
Phone: (+40) 21 352 76 03  
madex@ines.ro

**Russia / Россия**

ООО ГАРДЕНА РУС  
123007, г. Москва  
Хорошевское шоссе, д. 32А  
Тел.: (+7) 495 647 25 10  
info@gardena-rus.ru

**Singapore**

Hy - Ray PRIVATE LIMITED  
40 Jalan Pemimpin  
#02-08 Tat Ann Building  
Singapore 577185  
Phone: (+65) 6253 2277  
hyray@singnet.com.sg

**Slovak Republic**

GARDENA Slovensko, s.r.o.  
Panónska cesta 17  
851 04 Bratislava  
Phone: (+421) 263 453 722  
info@gardena.sk

**Slovenia**

GARDENA d.o.o.  
Brodišče 15  
1236 Trzin  
Phone: (+386) 1 580 93 32  
servis@gardena.si

**South Africa**

GARDENA  
South Africa (Pty.) Ltd.  
P.O. Box 11534  
Vorna Valley 1686  
Phone: (+27) 11 315 02 23  
sales@gardena.co.za

**Spain**

GARDENA IBERICA S.L.U.  
C/ Basauri, nº 6  
La Florida  
28023 Madrid  
Phone: (+34) 91 708 00 00  
atencioncliente@gardena.es

**Sweden**

GARDENA Norden AB  
Försäljningskontor Sverige  
Box 9003  
200 39 Malmö  
info@gardena.se

**Switzerland / Schweiz**

GARDENA (Schweiz) AG  
Bitzberg 1  
8184 Bachenbülach  
Phone: (+41) 848 800 464  
info@gardena.ch

**Turkey**

GARDENA / Dost Diş Ticaret  
Müessesilik A.Ş. Sanayi  
Çad. Adil Sokak No. 1  
Kartal - İstanbul  
Phone: (+90) 216 38 93 939  
info@gardena-dost.com.tr

**Ukraine / Украина**

ALTSEST JSC  
4 Petropavlivska Street  
Petropavlivska  
Borschahivka Town  
Kyivo Svyatoslyn Region  
08130, Ukraine  
Phone: (+380) 44 459 57 03  
upyr@altsest.kiev.ua

**USA**

Melnor Inc.  
3085 Shawnee Drive  
Winchester, VA 22604  
Phone: (+1) 540 722-9080  
service\_us@melnor.com

1407-20.960.06/0307  
© GARDENA  
Manufacturing GmbH  
D-89070 Ulm  
http://www.gardena.com