

Art. 3800

D Montageanleitung

Regensammler 400 l / 800 l

GB Assembly Instructions

Rain Water Tank 400 l / 800 l

F Instructions de montage

Collecteur d'eau de pluie 400 l / 800 l

NL Montageaanwijzing

Regenton 400 l / 800 l

S Monteringsanvisning

Regnvattentunna 400 l / 800 l

I Istruzioni per il montaggio

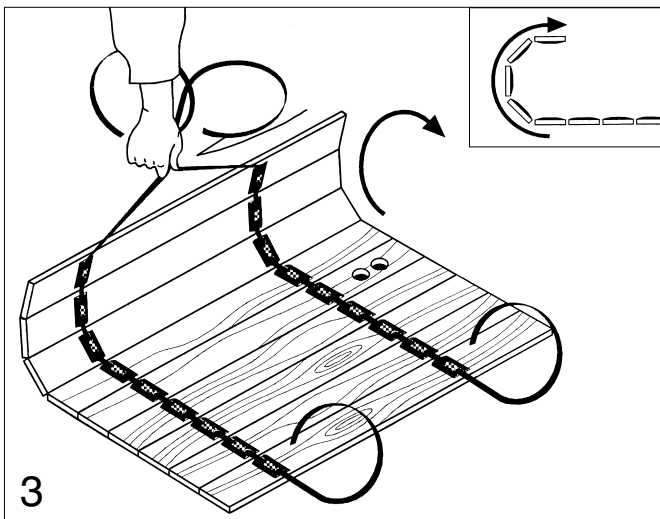
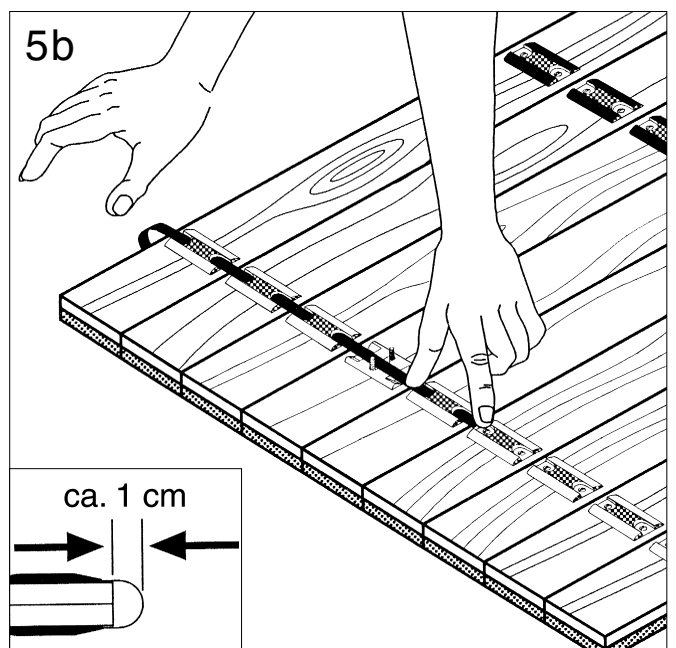
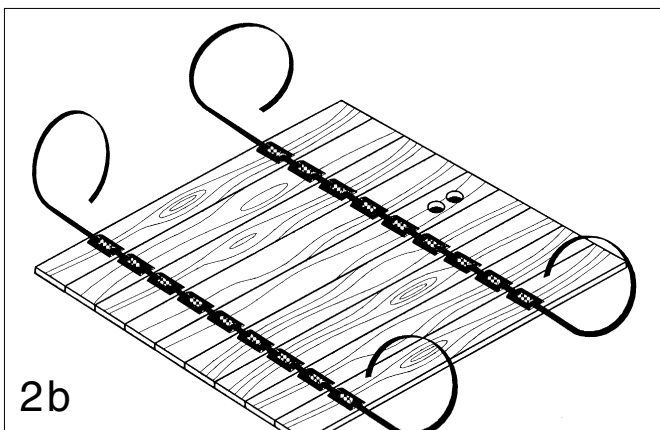
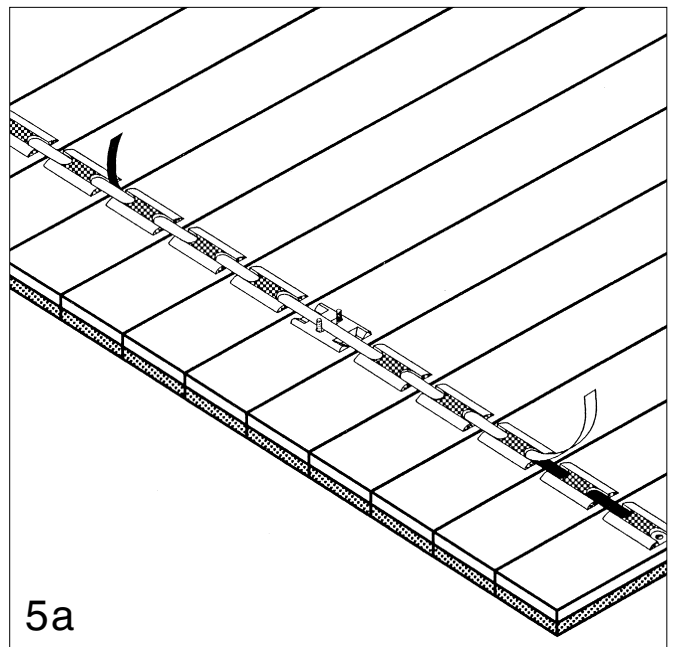
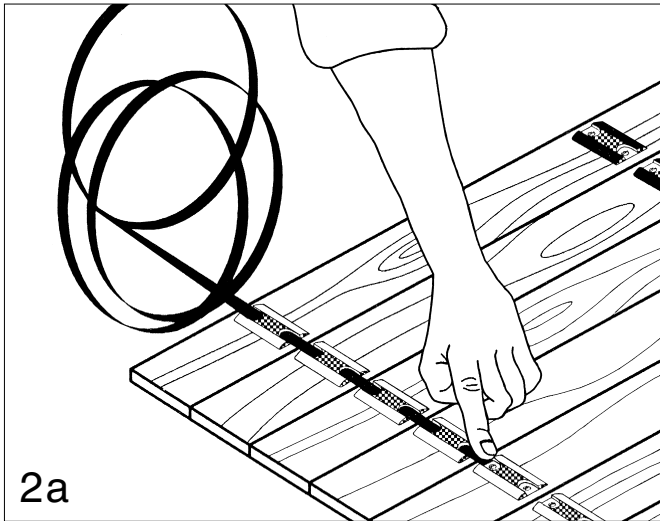
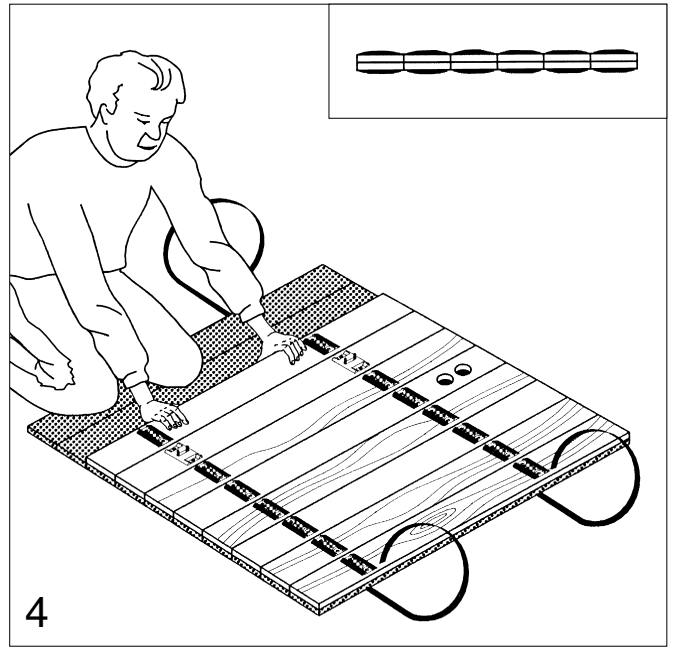
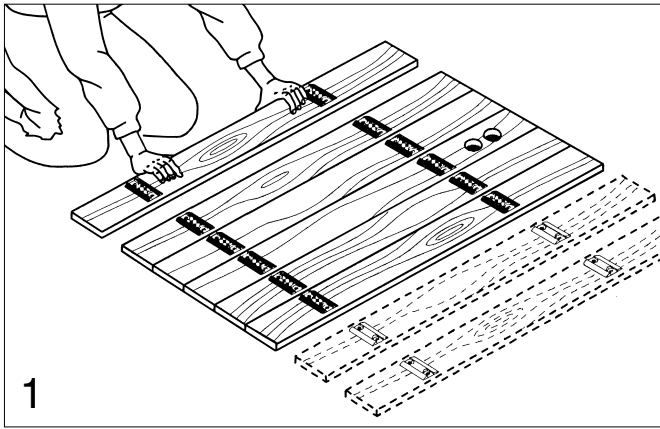
Cisterna per acqua piovana da 400 litri / 800 litri

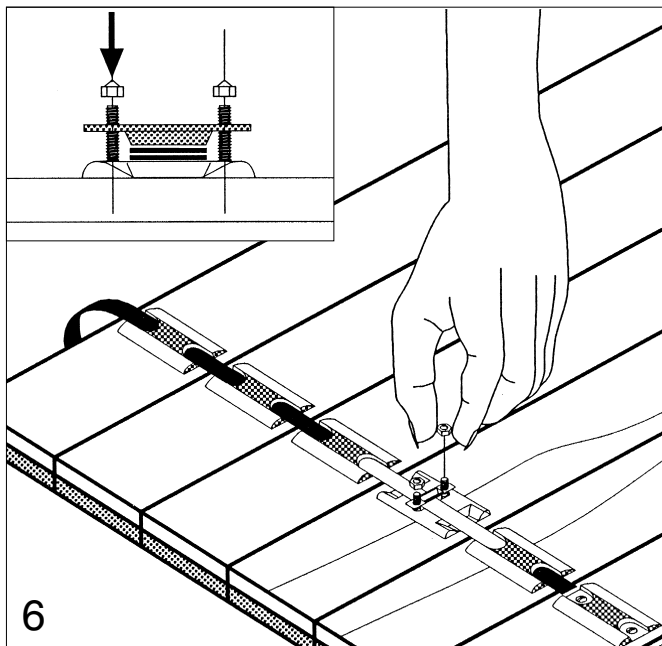
E Instrucciones para el montaje

Depósito para aguas pluviales 400 l / 800 l

P Instruções de montagem

Depósito para água da chuva 400 l / 800 l





D
Montageanleitung

Seite
4 - 5

GB
Assembly Instructions

Page
6 - 7

F
Instructions de montage

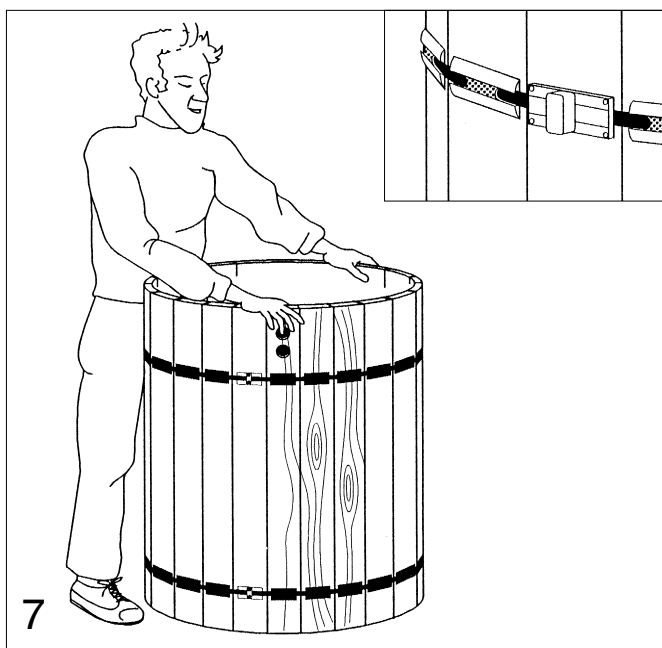
Page
8 - 9

NL
Montageaanwijzing

Pagina
10 - 11

S
Monteringsanvisning

Sida
12 - 13



I
Istruzioni per il montaggio

Pagina
14 - 15

E
Instrucciones para el montaje

Página
16 - 17

P
Instruções de montagem

Página
18 - 19





GARDENA

Rain Water Tank 400 l / 800 l

Assembly instructions

Please read these assembly instructions carefully before assembling and using your rain water tank.

This rain water tank is used for collecting and storing rain water, ground water or water pumped from brooks, rivers or ponds.

Please observe the local regulations of your water resources office.

Never collect and /or store contaminated water and /or liquids mixed with cleaning agents, pesticides or paints, waste water or any liquids of that kind.

Completeness check	
The packaging includes the following parts:	
Rain Water Tank 400 l	Rain Water Tank 800 l
27 spruce laths (pressure impregnated with preservative; chromium-free) with screwed brackets for strap	37 spruce laths (pressure impregnated with preservative; chromium-free) with screwed brackets for strap
2 spruce laths (pressure impregnated with preservative; chromium-free) with screwed brackets for strap as well as inlet and connection hole	
1 spruce lath (pressure impregnated with perservative; chromium-free) used as closing lath with steel mountings for locking	
1 liner bag, black	
2 reels of plastic strap (2 x 3.6 m)	
1 poly bag Contents: 2 clamp plates; 4 stopper nuts M5; 2 plastic covers	

Supplied as accessory:

- Cover for Rain Water Tank 400 l Art. No. 3801
- Cover for Rain Water Tank 800 l Art. No. 3805
- Connecting Set Art. No. 3815
(includes connecting pieces for inlet and overflow;
for connecting several rain water tanks or connecting
a rain water tank to the rain pipe).

Please keep to the following instructions and illustrations when assembling your rain water tank.

Make sure that the location of your rain water tank has an even, smooth surface to prevent damage of the liner. We recommend you to place it on a concrete surface or flagstones without edges.

Step 1 (ill. 1)

Lay 14 laths (rain water tank 400 l) or 19 laths (rain water tank 800 l) side by side on the ground so that the brackets are on the top and on the same level.

Include one of the laths with the two holes (inlet and connection hole) at any place so that you have 15 laths (rain water tank 400 l) or 20 laths (rain water tank 800 l) in total.

The laths with the two holes are used for direct connection (using the GARDENA Connecting Set, Art. No. 3815) to the rain pipe, for connecting several rain water tanks or as overflow protection. See description below.

Step 2 (ill. 2a)

Unwind the tightening straps and insert them in the upper and lower brackets each of the laths laying on the ground.

Let them project approx. 90 cm on each side (ill. 2b).

Step 3 (ill. 3)

Take the straps projecting on one side (approx. 90 cm) in one hand and turn the laths.

Note: Join the laths without leaving a gap.

Step 4 (ill. 4)

Lay further 13 laths (rain water tank 400 l) or 18 laths (rain water tank 800 l) onto the laths laying on the ground as described above. Then include the other lath with the two holes (inlet and connection hole) as well as the closing lath so that you have 15 laths (rain water tank 400 l) or 20 laths (rain water tank 800 l) in total.

We recommend you to arrange both laths with the inlet and connection hole in such a way that they are opposite each other when the rain water tank is completely assembled.

Step 5 (ill. 5a)

Now insert the tightening strap in the brackets.

Around the lock (closing lath), the tightening strap should overlap by at least 3 widths of lath.

Make sure that the tightening strap has approx. 1 cm play at the bending edge and does not twist when it is inserted in the upper laths (ill. 5b).

Step 6 (ill. 6)

Lay the clamp plate onto the lock in such a way that the V-notch presses on the overlapped straps. Use the supplied stopper nuts to firmly secure the lock.

Make sure that the stopper nuts are properly seated.

Step 7 (ill. 7)

Put up the connected laths and form a circle.

If the the tightening straps are too firm or too loose, simply loosen the lock to adjust.

Then click the plastic covers onto the lock until it snaps-in tight.

Attention! The holes (inlet and connection hole) must be on the top of the rain water tank.

Step 8 (ill. 8)

Unfold the supplied liner bag and lay it into the circle of laths. The reinforced edge of the liner bag is put over the edge of the circle of laths.

Make sure that the liner is laid without folds on the bottom of the rain water tank. For this, look after the peripheral seam.

When putting the liner over the edge of the rain water tank, take the inlet as reference point.

If the rain water tank is used as an open collecting basin only assembly is finished by this step.

We recommend you to use in addition the GARDENA Cover for Rain Water Tank (Art. No. 3801 - Rain Water Tank 400 l or Art. No. 3804 - Rain Water Tank 800 l). The cover protects the water in the tank from dirt.

For assembly and use of the cover please refer to its assembly instructions.

If you need for your rain water tank a direct connection to the rain pipe or overflow/outlet or if you want to connect several rain water tanks to each other please use the GARDENA Connecting Set (Art. No. 3815) which includes all necessary fittings and pipes. In addition, you need for this 1" hoses in the required length (e.g. GARDENA Art. No. 4966, Art. No. 4459, or Art. No. 4519).

For assembly and use of the connecting set please refer to its assembly instructions.

If you have leaking in the liner bag caused by a sharp object you can repair the liner bag using a common repair kit for pond liners.

GARDENA guarantees these products for 2 years (from date of purchase). This guarantee covers all serious defects of the rain water tank that can be proved to be material or manufacturing faults. Under guarantee we will either replace the rain water tank or repair it free of charge if following conditions apply:

- The rain water tank must have been handled properly and in keeping with the requirements of the assembly instructions. In addition, no attempt at repair by the customer or a non-authorized third party is permitted.
- The rain water tank is returned directly postage paid to a GARDENA service centre together with the warranty card duly completed and signed.

This manufacturer's guarantee does not affect the user's existing guarantee right against the dealer / seller.

Mechanical damage of the liner bag is except from this guarantee.

In case of complaint, cut out the warranty card and send it together with the rain water tank to the GARDENA Service Centre.

We expressly point out that, according to the product liability law, we are not liable for any damage caused by our units if, in case of repair or exchange, other than original GARDENA parts are used and repair is not carried out by a GARDENA service centre or an authorised specialist. The same also applies to spare parts and accessories.

The rain water tanks consist of wood, which is a natural raw material, and may therefore possess varying graining, knot holes and other irregularities. The impregnation ensures the product has a long life and may give the wood a greenish colour sometimes. This is absolutely safe and disappears on its own after a while.

Deutschland / Germany

GARDENA
Manufacturing GmbH
Service Center
Hans-Lorenser-Straße 40
D-89079 Ulm
Produktfragen:
(+49) 731 490-123
Reparaturen:
(+49) 731 490-290
service@gardena.com

Argentina

Argensem® S.A.
Calle Colonia Japonesa s/n
(1625) Loma Verde
Escobar, Buenos Aires
Phone: (+54) 34 88 49 40 40
info@argensem.com.ar

Australia

Nylex Consumer Products
50-70 Stanley Drive
Somerton, Victoria, 3062
Phone: (+61) 1800 658 276
spare.parts@nylex.com.au

Austria / Österreich

GARDENA
Österreich Ges.m.b.H.
Stettnerweg 11-15
2100 Korneuburg
Tel.: (+43) 22 62 7 45 45 36
kundendienst@gardena.at

Belgium

GARDENA Belgium NV/SA
Sterrebeekstraat 163
1930 Zaventem
Phone: (+32) 2 7 20 92 12
Mail: info@gardena.be

Brazil

Palash Comércio e
Importação Ltda.
Rua Américo Brasiliense,
2414 - Chácara Sto Antonio
São Paulo - SP - Brasil -
CEP 04715-005
Phone: (+55) 11 5181-0909
eduardo@palash.com.br

Bulgaria

DENEX LTD.
2 Luis Ahalier Str. - 7th floor
Sofia 1404
Phone: (+359) 2 958 18 21
office@denex-bg.com

Canada

GARDENA Canada Ltd.
100 Summerlea Road
Brampton, Ontario L6T 4X3
Phone: (+1) 905 792 93 30
info@gardenacanada.com

Chile

Antonio Martinic y Cia Ltda.
Cassillas 272
Centro de Cassillas
Santiago de Chile
Phone: (+56) 2 20 10 708
garfar_cl@yahoo.com

Costa Rica

Compania Exim
Euroiberoamericana S.A.
Los Colegios, Moravia,
200 metros al Sur del Colegio
Saint Francis - San José
Phone: (+506) 297 68 83
exim_euro@racsa.co.cr

Croatia

KLIS d.o.o.
Stanciceva 79
10419 Vukovina
Phone: (+385) 1 622 777 0
gardena@klis-trgovina.hr

Cyprus

FARMOKIPIKI LTD
P.O. Box 7098
74, Digeni Akrita Ave.
1641 Nicosia
Phone: (+357) 22 75 47 62
condam@spidernet.com.cy

Czech Republic

GARDENA spol. s r.o.
Řípská 20a, č.p. 1153
627 00 Brno
Phone: (+420) 800 100 425
gardena@gardenabrno.cz

Denmark

GARDENA Norden AB
Salgsafdeling Danmark
Box 9003
S-200 39 Malmö
info@gardena.dk

Finland

Habitec Oy
Martinkyläntie 52
01720 Vantaa

France

GARDENA
PARIS NORD 2
69, rue de la Belle Etoile
BP 57080
ROISSY EN FRANCE
95948 ROISSY CDG CEDEX
Tél. (+33) 0826 101 455
service.consommateurs@
gardena.fr

Great Britain

GARDENA UK Ltd.
27-28 Brenkley Way
Blezard Business Park
Seaton Burn
Newcastle upon Tyne
NE13 6DS
info@gardena.co.uk

Greece

Agrokip
Psomadopoulos S.A.
Ifaistou 33A
Industrial Area Koropi
194 00 Athens Greece
V.A.T. EL093474846
Phone: (+30) 210 66 20 225
service@agrokip.gr

Hungary

GARDENA
Magyarország Kft.
Késmárk utca 22
1158 Budapest
Phone: (+36) 80 20 40 33
gardena@gardena.hu

Iceland

Ó. Johnson & Kaaber
Tunguhalsi 1
110 Reykjavik
ooj@ojk.is

Ireland

Michael McLoughlin & Sons
Hardware Limited
Long Mile Road
Dublin 12

Italy

GARDENA Italia S.p.A.
Via Donizetti 22
20020 Lainate (Mi)
Phone: (+39) 02.93.94.79.1
info@gardenaitalia.it

Japan

KAKUICHI Co. Ltd.
Sumitomo Realty &
Development Kojimachi
BLDG., 8F
5-1 Nibanncyo, Chiyoda-ku
Tokyo 102-0084
Phone: (+81) 33 264 4721
m_ishihara@kaku-ichi.co.jp

Luxembourg

Magasins Jules Neuberg
39, rue Jacques Stas
Luxembourg-Gasperich 2549
Case Postale No. 12
Luxembourg 2010
Phone: (+352) 40 14 01
api@neuberg.lu

Netherlands

GARDENA Nederland B.V.
Postbus 50176
1305 AD ALMERE
Phone: (+31) 36 521 00 00
info@gardena.nl

Neth. Antilles

Jonka Enterprises N.V.
Sta. Rosa Weg 196
P.O. Box 8200, Curaçao
Phone: (+599) 9 767 66 55
pgm@jonka.com

New Zealand

NYLEX New Zealand Limited
Building 2, 118 Savill Drive
Mangere, Auckland
Phone: (+64) 9 270 1806
lena.chapman@nylex.com.au

Norway

GARDENA Norden AB
Salgskontor Norge
Karihaugveien 89
1086 Oslo
info@gardena.no

Poland

GARDENA Polska Sp. z o.o.
Szymanów 9 d
05-532 Baniocza
Phone: (+48) 22 727 56 90
gardena@gardena.pl

Portugal

GARDENA Portugal Lda.
Recta da Granja do Marquês
Edif. GARDENA Algueirão
2725-596 Mem Martins
Phone: (+351) 21 922 85 30
info@gardena.pt

Romania

MADEX INTERNATIONAL SRL
Soseaua Odaii 117-123,
Sector 1,
București, RO 013603
Phone: (+40) 21 352 76 03
madex@ines.ro

Russia / Россия

ООО ГАРДЕНА РУС
123007, г. Москва
Хорошевское шоссе, д. 32А
Тел.: (+7) 495 647 25 10
info@gardena-rus.ru

Singapore

Hy - Ray PRIVATE LIMITED
40 Jalan Pemimpin
#02-08 Tat Ann Building
Singapore 577185
Phone: (+65) 6253 2277
hyray@singnet.com.sg

Slovak Republic

GARDENA Slovensko, s.r.o.
Panónska cesta 17
851 04 Bratislava
Phone: (+421) 263 453 722
info@gardena.sk

Slovenia

GARDENA d.o.o.
Brodišče 15
1236 Trzin
Phone: (+386) 1 580 93 32
servis@gardena.si

South Africa

GARDENA
South Africa (Pty.) Ltd.
P.O. Box 11534
Vorna Valley 1686
Phone: (+27) 11 315 02 23
sales@gardena.co.za

Spain

GARDENA IBÉRICA S.L.U.
C/ Basauri, nº 6
La Florida
28023 Madrid
Phone: (+34) 91 708 05 00
atencioncliente@gardena.es

Sweden

GARDENA Norden AB
Försäljningskontor Sverige
Box 9003
200 39 Malmö
info@gardena.se

Switzerland / Schweiz

GARDENA (Schweiz) AG
Bitziberg 1
8184 Bachenbülach
Phone: (+41) 848 800 464
info@gardena.ch

Turkey

GARDENA / Dost Diş Ticaret
Mümesillik A.Ş. Sanayi
Çad. Adil Sokak No. 1
Kartal - İstanbul
Phone: (+90) 216 38 93 939
info@gardena-dost.com.tr

Ukraine / Украина

ALTEST JSC
4 Petropavlivska Street
Petropavlivska
Borschahivka Town
Kyivo Svyatoshyn Region
08130, Ukraine
Phone: (+380) 44 459 57 03
upyr@altsest.kiev.ua

USA

Melnor Inc.
3085 Shawnee Drive
Winchester, VA 22604
Phone: (+1) 540 722-9080
service_us@melnor.com

3800-20.961.02/0307
© GARDENA
Manufacturing GmbH
D-89070 Ulm
http://www.gardena.com