

300 C Art. 4021
380 C Art. 4024

-
- D** **Gebrauchsanweisung**
Spindelmäher
-
- GB** **Operating Instructions**
Cylinder Lawnmower
-
- F** **Mode d'emploi**
Tondeuse hélicoïdale
-
- NL** **Gebruiksaanwijzing**
Kooimesmaaier
-
- S** **Bruksanvisning**
Handgräsklippare
-
- I** **Istruzioni per l'uso**
Rasaprato a mano
-
- E** **Manual de instrucciones**
Cortacésped helicoidal
-
- P** **Instruções de utilização**
Cortador de relva cilíndrico
-
- DK** **Brugsanvisning**
Håndplæneklipper

GARDENA Cylinder Lawnmower 300 C / 380 C

Welcome to the Garden of GARDENA...



Please read these operating instructions carefully and observe the notes given. Use these instructions to familiarise yourself with the cylinder lawnmower, its correct use and the notes on safety.



For safety reasons, children under the age of 16 as well as persons not familiar with these operating instructions should not use this cylinder lawnmower.

→ Please keep these operating instructions in a safe place.

Contents:

1. Where to Use Your GARDENA Cylinder Lawnmower	8
2. For Your Safety	8
3. Assembly	9
4. Operation	9
5. Putting into Storage	10
6. Maintenance	10
7. Troubleshooting	10
8. Accessories	12
9. Technical Data	12
10. Warranty	12

1. Where to Use Your GARDENA Cylinder Lawnmower

Correct use:

The GARDENA Cylinder Lawnmower has been designed for cutting lawn and grass areas of private houses.

Compliance with these instructions provided by GARDENA is a prerequisite for using the cylinder lawnmower correctly.

Please note:



The cylinder lawnmower should not be used for cutting climbing plants or grass on roofs, due to the danger of bodily harm.

2. For Your Safety

Checks before each operation:

Before use, an inspection must always be performed in order to determine that all nuts, bolts and working tools are not worn down or damaged.

Worn down or damaged blades must be replaced in sets.

Inspect the surface on which the lawn mower is to be used beforehand. Stones, pieces of wood and wires as well as other solid matter must be removed.

Objects which are contacted by the cutting tools could be thrown out uncontrollably.

Proper use / Responsibility



Warning!

Take note that the rotating blade cylinder could cause injuries.

→ Never place your hands or feet on or under moving parts.

Do not use the lawnmower while people, especially children, or animals are nearby. The operator is liable for damages.

The safety distance between the blade cylinder and the operator that is created by the guiding spar is to be always maintained.

When mowing embankments and slopes, special care must be taken:

→ make sure you always keep a safe distance and wear shoes with a non-slip sole.

Always cut diagonally to the slope.

Take special care when moving backwards and when pulling the lawn mower. Danger of stumbling!

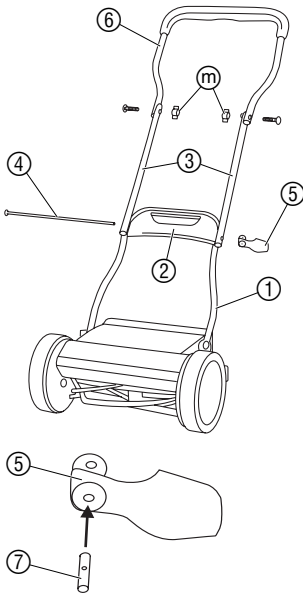
If the cutting tools or the lawnmower run into an obstruction and/or solid objects, the lawn mower should be properly and thoroughly inspected.

→ Only work when visibility is good.

Never leave the lawnmower unattended.

If your work is interrupted, store the mower in a safe place.

3. Assembly



1. Insert lower part of bottom upright ① into upright holders (a) up to stop and secure with the screws ⑤.

2. Push connector ② from underneath into upper part of bottom upright ①.

3. Insert threaded rod ④ from left through lower parts of central upright ③, upper part of bottom upright ① and connector ② right up to the stop.

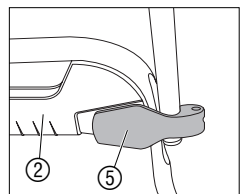
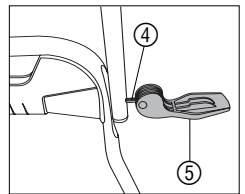
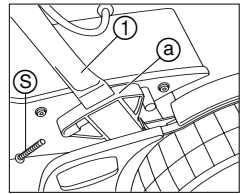
4. Slide threaded bearing ⑦ into clamping lever ⑤.

5. Screw clamping lever ⑤ onto threaded rod ④ approx. 4 turns.

6. Move clamping lever ⑤ onto connector ② and check whether clamping lever ⑤ locks.

7. If clamping lever ⑤ does not yet lock, screw another turn onto threaded rod ④. Repeat procedure until clamping lever ⑤ locks on connector ②.

8. Firmly attach bottom part of top upright ⑥ to upper parts of central upright ③ using 2 wing nuts (m).



4. Operation

Mowing correctly:

To produce a well-maintained lawn we recommend cutting the lawn regularly once a week if possible. The lawn becomes thicker if cut frequently.

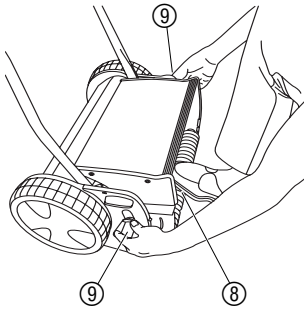
Relatively long cut grass (> 1 cm) must be removed so that the lawn does not become yellow and matted.

After relatively long intervals between mowing (e.g. holiday), first of all cut in one direction with the cutting height as high as possible

(42 mm), then cut in the crosswise direction at the cutting height required. The blades of grass should not be more than 12 cm long if they are to be cut with a cylinder mower.

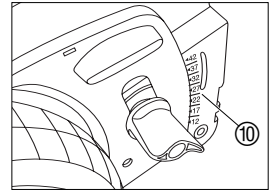
If possible only cut the grass when it is dry. If the grass is damp, the cutting pattern will be uneven.

Adjusting the cutting height:



The cutting height can be set to any position between 12 mm and 42 mm.

1. Stand behind the cylinder mower with one foot on the roller ⑧.
2. Slacken the two locking screws ⑨ and set to the height required on the scale ⑩.
3. Tighten the two locking screws ⑨ on both sides to the same height.



The locking screws ⑨ must always be set to the same height on both sides.

The mower may only be adjusted to a depth in which the lower blade does not touch the ground when it is uneven.

5. Putting into Storage

Storage:

→ Clean cylinder mower before storage (see 6. Maintenance) and store in a dry place.

To save space the cylinder mower can be collapsed by opening up the clamping nuts.

6. Maintenance

Cleaning the mower:



DANGER! Cutting mechanism can cause injuries!

→ **Wear suitable work gloves when undertaking maintenance.**

Always keep the cylinder mower clean and remove grass deposits. Deposits affect the cutting result as well as discharge of grass clippings. Residual dirt and grass is easily removed immediately after mowing.

1. Remove grass deposits with a brush and a cloth.
2. Oil the red cutting mechanism lightly with thin oil (e.g. sprayed oil).

7. Troubleshooting

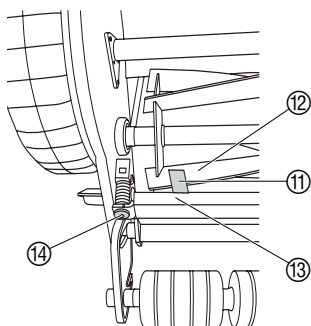


DANGER! Cutting tool can cause injuries!

→ **Wear suitable work gloves when rectifying faults.**

Fault	Possible Cause	Rectification
Abnormal Noises	Screws / components loose.	→ Tighten screws.
	Foreign bodies on the blade.	→ Remove foreign bodies.
	Notch in the blade.	→ Remove notches with grindstone.
	Blades are striking each other too hard.	→ Adjust cutting mechanism.
Lawn is not cleanly cut	Blade adjustment incorrect.	→ Adjust cutting mechanism.
	Blade blunt.	→ Re grind or replace blade.
	Grass too long (e.g. after a relatively long absence).	→ Cut lawn shorter with a sickle.

Adjusting the cutting mechanism:



The cutting gear of your lawn mower was optimally adjusted before leaving our company. If, after longer use, a clean cut of the grass is no longer possible or the blade roller contacts the lower blade, then the lower blade should be adjusted as follows:

1. Unhook upright and clean cylinder mower.
2. Check cylinder ⑫ and lower blade ⑬ for notches and remove these with a grindstone if necessary.
3. Unscrew internal hexagon screws ⑭ with an internal hexagon wrench (5 mm) anticlockwise until the cylinder ⑫ turns freely.
4. Push the feeler gauge supplied (thin strip of metal) ⑪ between one blade ⑫ on the cylinder and the lower blade ⑬.
5. Tighten left internal hexagon screw ⑭ with an internal hexagon wrench (5 mm) until the feeler gauge ⑪ is held gently.
6. Continue turning the cylinder until the blade ⑫, already adjusted on the left side, is exactly above the lower blade ⑬ on the right side.
7. Tighten the right internal hexagon screw ⑭ with an internal hexagon wrench (5 mm) until the feeler gauge ⑪ is held gently.
8. Rotate cylinder ⑫. If a banging noise is produced during this, open up the internal hexagon screw ⑭ slightly on the side affected.

When the cylinder and the lower blade can hardly be heard touching each other, the cutting mechanism has been adjusted correctly.

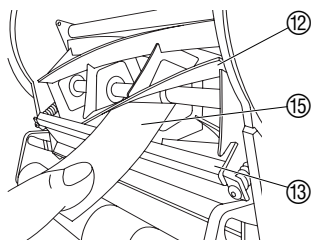
9. Cutting test:

Place a strip of paper ⑮ in such a way on the lower blade ⑬ that it points towards the spindle of the cylinder ⑫.

10. Turn cylinder ⑫ carefully.

If the lower blade is set correctly ⑬ the paper will be cut off as if with scissors.

11. Repeat the cutting test on the other blades ⑫.





On safety grounds, only original GARDENA spares may be used.

Please contact GARDENA Service if it is necessary to replace the cutting tool, which will only become blunt after several years use if well-maintained. Repairs to the cylinder mower and the installation of the blades can be undertaken by suitable specialist workshops.

Have the cylinder mower checked over in the autumn if possible so that it is ready for use immediately when the next lawn-mowing season starts.

If you have any problem with your cylinder mower, please contact our Customer Service.

8. Accessories

GARDENA Grass collecting bag

Saves raking up the cut grass. **Art. No. 4029**

9. Technical Data

	300 C (Art. No. 4021)	380 C (Art. No. 4024)
Cutting width / Cutting height	30 cm / 12 – 42 mm	38 cm / 12 – 42 mm
Cutting height adjustment	infinitely variable	infinitely variable
Weight	9.5 kg	10 kg

10. Warranty

GARDENA guarantees this product for 2 years (starting from the date of purchase). This guarantee covers all serious defects of the unit that can be proved to be material or manufacturing faults. Under warranty we will either replace the unit or repair it free of charge if the following conditions apply:

- The unit must have been handled properly and in keeping with the requirements of the operating instructions.
- Neither the purchaser or a non-authorized third party have attempted to repair the unit.

The wearing parts blade cylinder (complete) and lower blade are excluded from the warranty.

This manufacturer's guarantee does not affect the user's existing warranty claims against the dealer/seller.

If a fault occurs with your Cylinder Lawn Mower, please return the faulty unit together with a copy of the receipt and a description of the fault, with postage paid to one of the GARDENA Service Centres listed on the back of these operating instructions.

<p>D <i>Produkthftung</i></p>	<p>Wir weisen ausdrücklicly darauf hin, dass wir nach dem Produkthftungs-gesetz nicht für durch unsere Geräte hervorgerufene Schäden einzu-stehen haben, sofern diese durch unsachgemäÙe Reparatur verursacht oder bei einem Teileaustausch nicht unsere Original GARDENA Teile oder von uns freigegebene Teile verwendet werden und die Reparatur nicht vom GARDENA Service oder dem autorisierten Fachmann durchgeführt wird. Entsprechendes gilt für Ergänzungsteile und Zubehör.</p>
<p>GB <i>Product Liability</i></p>	<p>We expressly point out that, in accordance with the product liability law, we are not liable for any damage caused by our units if it is due to im-proper repair or if parts exchanged are not original GARDENA parts or parts approved by us, and, if the repairs were not carried out by a GARDENA Service Centre or an authorised specialist. The same applies to spare parts and accessories.</p>
<p>F <i>Responsabilité</i></p>	<p>Nous vous signalons expressément que GARDENA n'est pas respon-sable des dommages causés par ses appareils, dans la mesure où ces dommages seraient causés suite à une réparation non conforme, dans la mesure où, lors d'un échange de pièces, les pièces d'origine GARDENA n'auraient pas été utilisées, ou si la réparation n'a pas été effectuée par le Service Après-Vente GARDENA ou l'un des Centres SAV agréés GARDENA. Ceci est également valable pour tout ajout de pièces et d'ac-cessoires autres que ceux préconisés par GARDENA.</p>
<p>NL <i>Productaansprakelijkheid</i></p>	<p>Wij wijzen er nadrukkelijk op, dat wij op grond van de wet aansprakelij-heid voor producten niet aansprakelijk zijn voor schade ontstaan door onze apparaten, indien deze door onvakkundige reparatie veroorzaakt zijn, of er bij het uitwisselen van onderdelen geen gebruik gemaakt werd van onze originele GARDENA onderdelen of door ons vrijgegeven onderdelen en de reparatie niet door de GARDENA technische dienst of de bevoegde vak-man uitgevoerd werd. Ditzelfde geldt voor extra-onderdelen en accessoires.</p>
<p>S <i>Produktansvar</i></p>	<p>Tillverkaren är inte ansvarig för skada som orsakats av produkten om skadan beror på att produkten har reparerats felaktigt eller om, vid repa-ration eller utbyte, andra än Original GARDENA reservdelar har använts. Samma sak gäller för kompletteringsdelar och tillbehör.</p>
<p>I <i>Responsabilità del prodotto</i></p>	<p>Si rende espressamente noto che, conformemente alla legislazione sulla responsabilità del prodotto, non si risponde di danni causati da nostri arti-coli se originati da riparazioni eseguite non correttamente o da sostituzioni di parti effettuate con materiale non originale GARDENA o comunque da noi non approvato e, in ogni caso, qualora l'intervento non venga eseguito da un centro assistenza GARDENA o da personale specializzato autoriz-zato. Lo stesso vale per le parti complementari e gli accessori.</p>
<p>E <i>Responsabilidad de productos</i></p>	<p>Advertimos que conforme a la ley de responsabilidad de productos no nos responsabilizamos de daños causados por nuestros aparatos, siempre y cuando dichos daños hayan sido originados por arreglos o reparaciones indebidas, por recambios con piezas que no sean piezas originales GARDENA o bien piezas autorizadas por nosotros, así como en aquellos casos en que la reparación no haya sido efectuada por un Servicio Téc-nico GARDENA o por un técnico autorizado. Lo mismo es aplicable para las piezas complementarias y accesorios.</p>
<p>P <i>Responsabilidade sobre o produto</i></p>	<p>Queremos salientar que segundo a lei da responsabilidade do fabricante, nós não nos responsabilizaremos por danos causados pelo nosso equipa-mento, quando estes ocorram em decorrência de reparações inadequadas ou da substituição de peças por peças não originais da GARDENA, ou pe-ças não autorizadas. A responsabilidade tornar-se-à nula também depois de reparações realizadas por oficinas não autorizadas pela GARDENA. Esta restrição valerá também para peças adicionais e acessórios.</p>
<p>DK <i>Produktansvar</i></p>	<p>Vi gør udtrykkeligt opmærksom på at i henhold til produktansvarsloven er vi ikke ansvarlige for skader forårsaget af vores udstyr, hvis det skyldes uautoriserede reparationer eller hvis dele er skiftet ud og der ikke er an-vendt originale GARDENA dele eller dele godkendt af os, eller hvis repa-rationerne ikke er udført af GARDENA-service eller en autoriseret fagmand. Det samme gælder for ekstra udstyr og tilbehør.</p>

Deutschland / Germany

GARDENA
Manufacturing GmbH
Service Center
Hans-Lorenser-Straße 40
D-89079 Ulm
Produktfragen:
(+49) 731 490-123
Reparaturen:
(+49) 731 490-290
service@gardena.com

Argentina

Argensem® S.A.
Calle Colonia Japonesa s/n
(1625) Loma Verde
Escobar, Buenos Aires
Phone: (+54) 34 88 49 40 40
info@argensem.com.ar

Australia

Nylex Consumer Products
50-70 Stanley Drive
Somerton, Victoria, 3062
Phone: (+61) 1800 658 276
spare.parts@nylex.com.au

Austria / Österreich

GARDENA
Österreich Ges.m.b.H.
Stettnerweg 11-15
2100 Korneuburg
Tel.: (+43) 22 62 7 45 45 36
kundendienst@gardena.at

Belgium

GARDENA Belgium NV/SA
Sterrebeekstraat 163
1930 Zaventem
Phone: (+32) 2 7 20 92 12
Mail: info@gardena.be

Brazil

Palash Comércio e
Importação Ltda.
Rua Américo Brasiense,
2414 - Chácara Sto Antonio
São Paulo - SP - Brasil -
CEP 04715-005
Phone: (+55) 11 5181-0909
eduardo@palash.com.br

Bulgaria

DENEX LTD.
2 Luis Ahalier Str. - 7th floor
Sofia 1404
Phone: (+359) 2 958 18 21
office@denex-bg.com

Canada

GARDENA Canada Ltd.
100 Summerlea Road
Brampton, Ontario L6T 4X3
Phone: (+1) 905 792 93 30
info@gardenacanada.com

Chile

Antonio Martinic y Cia Ltda.
Cassillas 272
Centro de Cassillas
Santiago de Chile
Phone: (+56) 2 20 10 708
garfar_cl@yahoo.com

Costa Rica

Compania Exim
Euroberoamericana S.A.
Los Colegios, Moravia,
200 metros al Sur del Colegio
Saint Francis - San José
Phone: (+506) 297 68 83
exim_euro@racsa.co.cr

Croatia

KLIS d.o.o.
Stanciceva 79
10419 Vukovina
Phone: (+385) 1 622 777 0
gardena@klis-trgovina.hr

Cyprus

FARMOKIPIKI LTD
P.O. Box 7098
74, Digeni Akritia Ave.
1641 Nicosia
Phone: (+357) 22 75 47 62
condam@spidernet.com.cy

Czech Republic

GARDENA spol. s r.o.
Řípská 20a, č.p. 1153
627 00 Brno
Phone: (+420) 800 100 425
gardena@gardenabrno.cz

Denmark

GARDENA Norden AB
Salgsafdeling Danmark
Box 9003
S-200 39 Malmö
info@gardena.dk

Finland

Habitec Oy
Martinkyläntie 52
01720 Vantaa

France

GARDENA
PARIS NORD 2
69, rue de la Belle Etoile
BP 57080
ROISSY EN FRANCE
95948 ROISSY CDG CEDEX
Tél. (+33) 0826 101 455
service.consommateurs@
gardena.fr

Great Britain

GARDENA UK Ltd.
27-28 Brenkley Way
Bleazard Business Park
Seaton Burn
Newcastle upon Tyne
NE13 6DS
info@gardena.co.uk

Greece

Agrokop
Psmadopoulos S.A.
Ifaistou 33A
Industrial Area Koropi
194 00 Athens Greece
V.A.T. EL093474846
Phone: (+30) 210 66 20 225
service@agrokop.gr

Hungary

GARDENA
Magyarország Kft.
Késmárk utca 22
1158 Budapest
Phone: (+36) 80 20 40 33
gardena@gardena.hu

Iceland

O. Johnson & Kaaber
Tunguhalsi 1
110 Reykjavik
ooj@ojk.is

Ireland

Michael McLoughlin & Sons
Hardware Limited
Long Mile Road
Dublin 12

Italy

GARDENA Italia S.p.A.
Via Donizetti 22
20020 Lainate (Mi)
Phone: (+39) 02.93.94.79.1
info@gardenaitalia.it

Japan

KAKUICHI Co. Ltd.
Sumitomo Realty &
Development Kojimachi
BLDG., 8F
5-1 Nibanncho, Chiyoda-ku
Tokyo 102-0084
Phone: (+81) 33 264 4721
m_ishihara@kaku-ichi.co.jp

Luxembourg

Magasins Jules Neuberger
39, rue Jacques Stas
Luxembourg-Gasperich 2549
Case Postale No. 12
Luxembourg 2010
Phone: (+352) 40 14 01
api@neuberger.lu

Netherlands

GARDENA Nederland B.V.
Postbus 50176
1305 AD ALMERE
Phone: (+31) 36 521 00 00
info@gardena.nl

Neth. Antilles

Jonka Enterprises N.V.
Sta. Rosa Weg 196
P.O. Box 8200, Curaçao
Phone: (+599) 9 767 66 55
pgm@jonka.com

New Zealand

NYLEX New Zealand Limited
Building 2, 118 Savill Drive
Mangere, Auckland
Phone: (+64) 9 270 1806
lena.chapman@nylex.com.au

Norway

GARDENA Norden AB
Salgskontor Norge
Karihaugveien 89
1086 Oslo
info@gardena.no

Poland

GARDENA Polska Sp. z o.o.
Szymanów 9 d
05-532 Baniocha
Phone: (+48) 22 727 56 90
gardena@gardena.pl

Portugal

GARDENA Portugal Lda.
Recta da Granja do Marquês
Edif. GARDENA Algueirão
2725-596 Mem Martins
Phone: (+351) 21 922 85 30
info@gardena.pt

Romania

MADEX INTERNATIONAL SRL
Soseaua Odaii 117-123,
Sector 1,
București, RO 013603
Phone: (+40) 21 352 76 03
madex@ines.ro

Russia / Россия

ООО ГАРДЕНА РУС
123007, г. Москва
Хорошевское шоссе, д. 32А
Тел.: (+7) 495 247 25 10
info@gardena-rus.ru

Singapore

Hy - Ray PRIVATE LIMITED
40 Jalan Pemimpin
#02-08 Tat Ann Building
Singapore 577185
Phone: (+65) 6253 2277
hyray@singnet.com.sg

Slovak Republic

GARDENA Slovensko, s.r.o.
Panónska cesta 17
851 04 Bratislava
Phone: (+421) 263 453 722
info@gardena.sk

Slovenia

GARDENA d.o.o.
Brodšiče 15
1236 Trzin
Phone: (+386) 1 580 93 32
servis@gardena.si

South Africa

GARDENA
South Africa (Pty.) Ltd.
P.O. Box 11534
Vorna Valley 1686
Phone: (+27) 11 315 02 23
sales@gardena.co.za

Spain

GARDENA IBÉRICA S.L.U.
C/ Basauri, nº 6
La Florida
28023 Madrid
Phone: (+34) 91 708 05 00
atencioncliente@gardena.es

Sweden

GARDENA Norden AB
Försäljningskontor Sverige
Box 9003
200 39 Malmö
info@gardena.se

Switzerland / Schweiz

GARDENA (Schweiz) AG
Bitzberg 1
8184 Bachenbülach
Phone: (+41) 848 800 464
info@gardena.ch

Turkey

GARDENA / Dost Diş Ticaret
Müessesilik A.Ş. Sanayi
Çad. Adil Sokak No. 1
Kartal - Istanbul
Phone: (+90) 216 38 93 939
info@gardena-dost.com.tr

Ukraine / Украина

ALTEST JSC
4 Petropavlivska Street
Petropavlivska
Borschahivka Town
Kyivo Svyatoshyh Region
08130, Ukraine
Phone: (+380) 44 459 57 03
upyr@altest.kiev.ua

USA

Melnor Inc.
3085 Shawnee Drive
Winchester, VA 22604
Phone: (+1) 540 722-9080
service_us@melnor.com

4021-20.960.05/0207

© **GARDENA**
Manufacturing GmbH
D-89070 Ulm
http://www.gardena.com