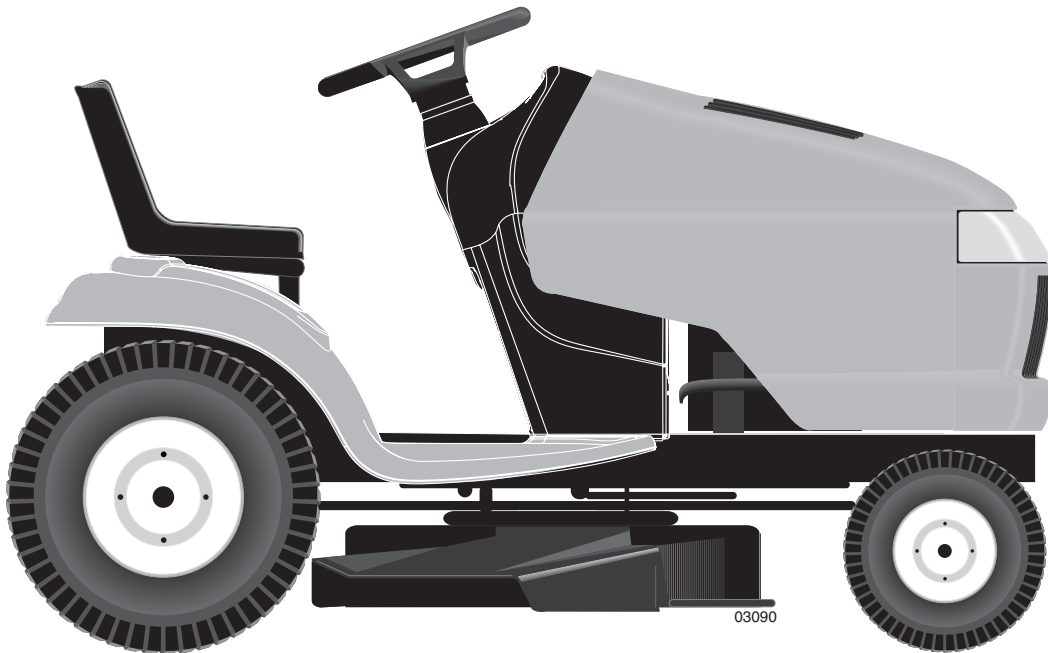


IMPORTANT MANUAL

Do Not Throw Away

Poulan PRO



REPAIR PARTS MANUAL

MODEL:

PBGT26H54

GARDEN TRACTOR

ALWAYS WEAR EYE PROTECTION DURING OPERATION

Visit our website: www.poulan-pro.com

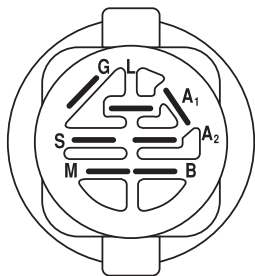
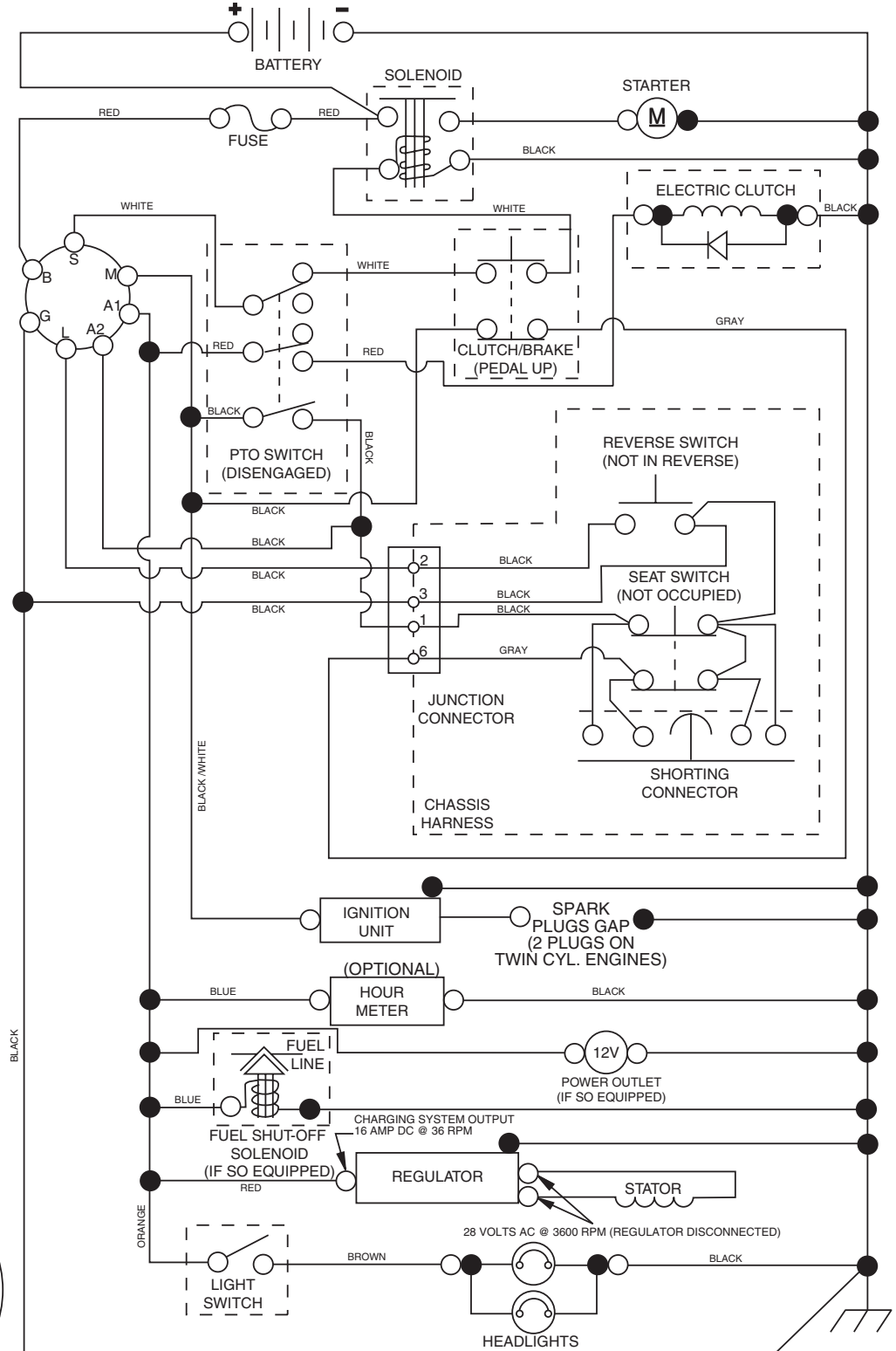


WARNING:

Read this Manual and follow all Warnings and Safety Instructions. Failure to do so can result in serious injury.

TRACTOR - - MODEL NUMBER PBGT26H54 (96042004000), PRODUCT NO. 960 42 00-40 SCHEMATIC

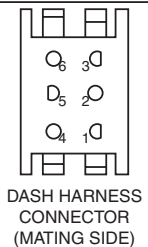
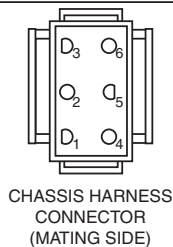
02929-194276_Regulated-Tex



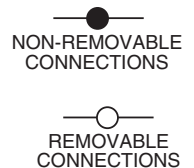
IGNITION SWITCH

POSITION	CIRCUIT	"MAKE"
OFF	M+G+A1	
RUN/OVERRIDE	B+A1	
RUN	B+A1	L+A2
START	B + S + A1	

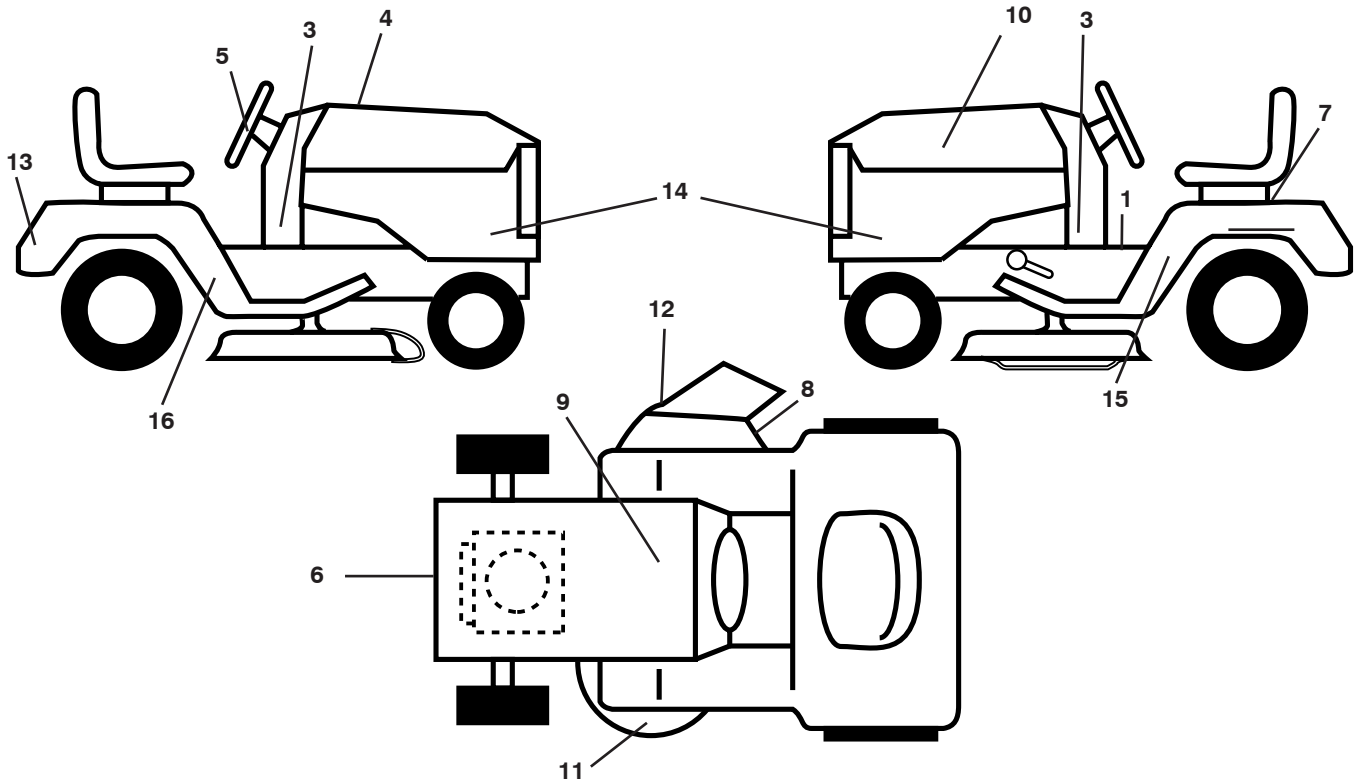
02929



WIRING INSULATED CLIPS
NOTE: IF WIRING INSULATED CLIPS WERE REMOVED FOR SERVICING OF UNIT, THEY SHOULD BE REPLACED TO PROPERLY SECURE YOUR WIRING.



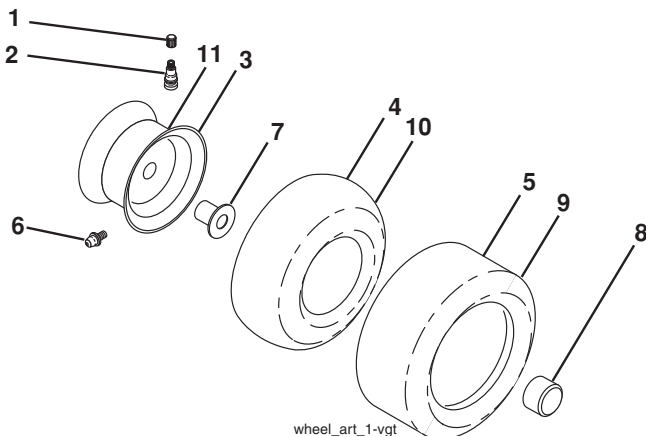
**TRACTOR - - MODEL NUMBER PBGT26H54 (96042004000), PRODUCT NO. 960 42 00-40
DECALS**



KEY NO.	PART NO.	DESCRIPTION
1	402104	Decal, Operator's
2	402355	Decal, Hood RH
3	402525	Decal, Dash Lower
4	411140	Decal, Replacement
5	172743	Decal, Strg Whl
6	408843	Decal, Engine HP
7	407403	Decal, Mod/Sen
8	198785	Decal, Mower Sch.
9	145005	Decal, Battery Dnge/Poi
10	402357	Decal, Hood LH
11	178502	Decal, Mower Caution
12	170563	Decal, Mower Warning Keep Hand

KEY NO.	PART NO.	DESCRIPTION
13	172740	Decal, Fender
14	408796	Decal, Panel SD
15	408948	Decal, Fender SD LH
16	408949	Decal, Fender SD RH
--	166960	Decal, Bypass
--	193279X428	Pad, Footrest, LH
--	193101X428	Pad, Footrest, RH
--	409631	Manual, Operator's (Eng & French)
--	409632	Manual, Parts

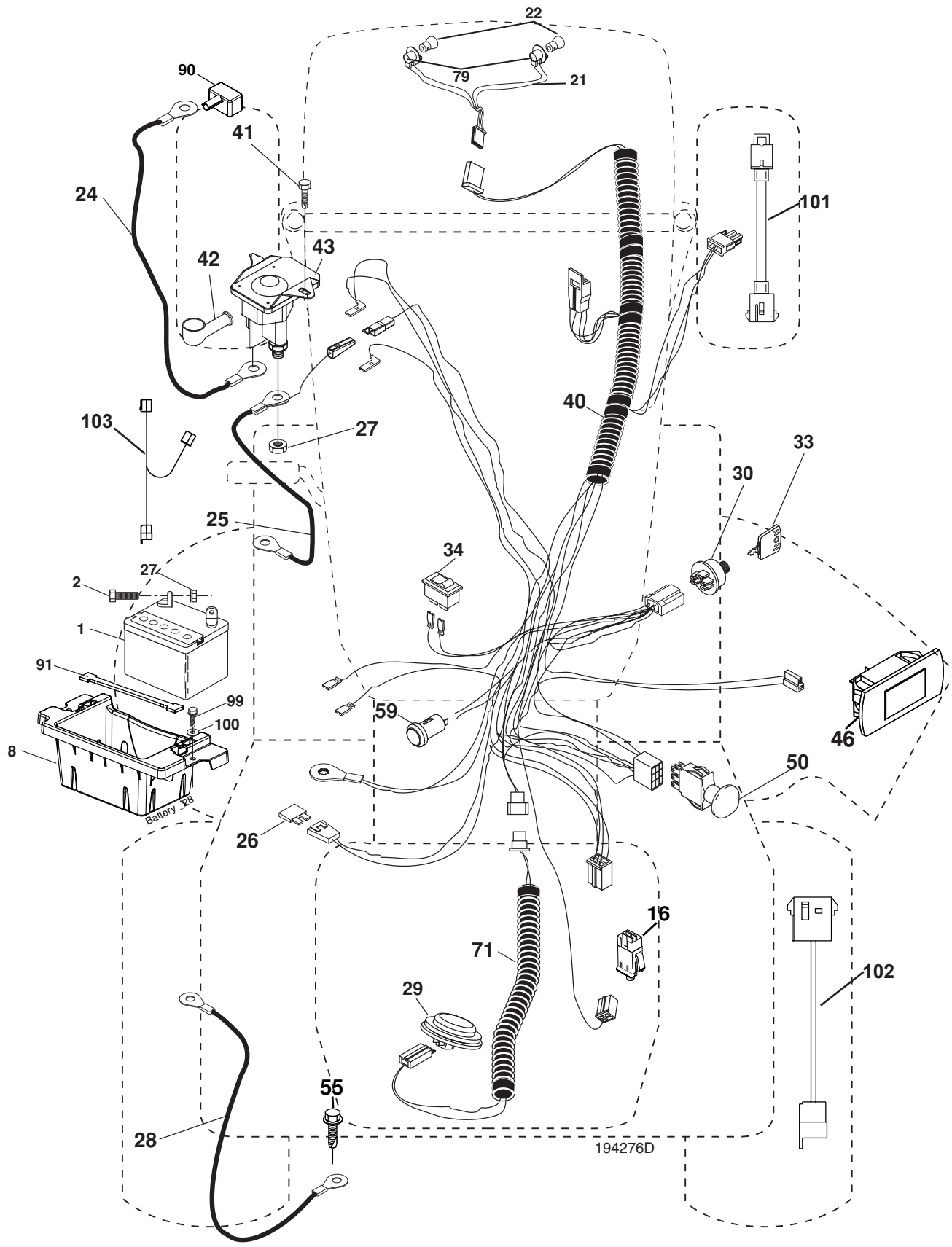
WHEELS AND TIRES



KEY NO.	PART NO.	DESCRIPTION
1	59192	Cap, Valve, Tire
2	65139	Stem, Valve
3	106228X421	Rim Assembly, Front
4	59904	Tube, Front (Service Item Only)
5	106230X	Tire, Front
6	278H	Fitting, Grease (Front Wheel Only)
7	9040H	Bearing, Flange (Front Wheel Only)
8	104757X421	Cap, Axle (Front Wheel Only)
9	105588X	Tire, Rear
10	7152J	Tube, Rear (Service Item Only)
11	124074X421	Rim Assembly, Rear
--	144334	Sealant, Tire (10 oz. Tube)

NOTE: All component dimensions given in U.S. inches
1 inch = 25.4 mm

**TRACTOR -- MODEL NUMBER PBGT26H54 (96042004000), PRODUCT NO. 960 42 00-40
ELECTRICAL**

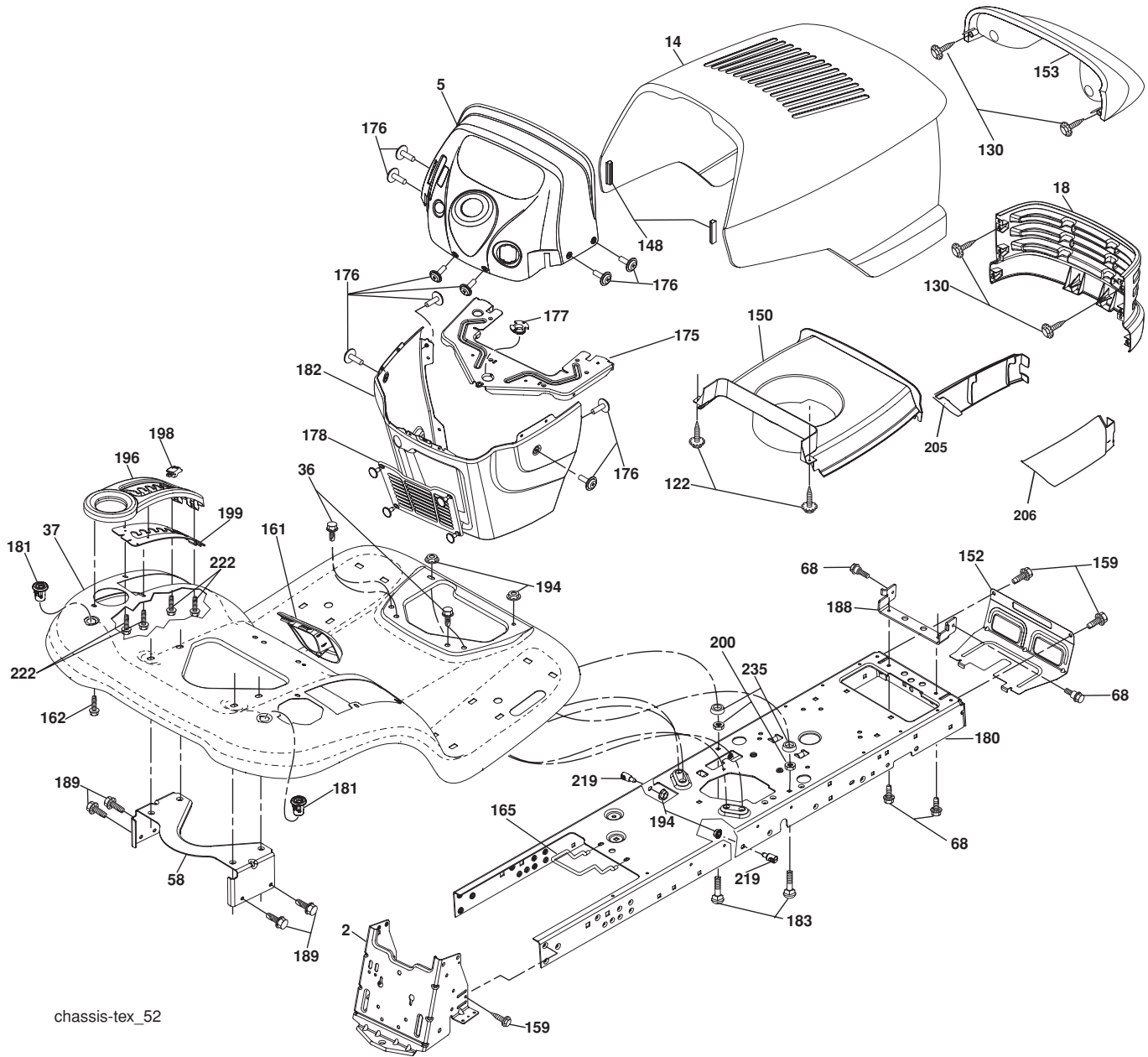


**TRACTOR - - MODEL NUMBER PBGT26H54 (96042004000), PRODUCT NO. 960 42 00-40
ELECTRICAL**

KEY NO.	PART NO.	DESCRIPTION
1	144927	Battery
2	74760412	Bolt Hex Head 1/4-20 x 3/4
8	186491	Box Battery
16	176138	Switch Interlock Push-In
21	175688	Harness Socket Light W/4152J
22	4152J	Bulb Light
24	400253	Cable Battery
25	198893	Cable Start Red 17.5"
26	175158	Fuse
27	73510400	Nut Keps Hex 1/4-20 unc
28	145491	Cable, Ground
29	401545	Switch, Seat
30	193350	Switch, Ignition
33	140401	Key, Ignition
34	110712X	Switch Light / Reset
40	401104	Harness Ign. Dash
41	17720408	Screw Thd Cut 1/4-20 x 1/2
42	131563	Cover, Terminal
43	192507	Solenoid
46	401763	Gauge Hourmeter
50	174653	Switch, PTO
55	17060512	Screw Thdrol 5/16-18 x 3/4 TYTT
59	400303	Outlet 12-Volt
71	194276	Harness Ignition, Chassis
79	175242	Bulbholder Asm. Incan Descent
90	400724	Cover Terminal Battery
91	190270	Strap Battery Mount Front
99	17670412	Screw Hexwsh Thdrol 1/4-20 x 3/4
100	19091416	Washer 9/32 x 7/8 x 16 Ga.
101	198317	Pigtail MATNLK
102	404454	Harness Pigtail K46
103	407962	Harness Pigtail 12V Outlet

NOTE: All component dimensions given in U.S. inches
1 inch = 25.4 mm

**TRACTOR - - MODEL NUMBER PBGT26H54 (96042004000), PRODUCT NO. 960 42 00-40
CHASSIS**



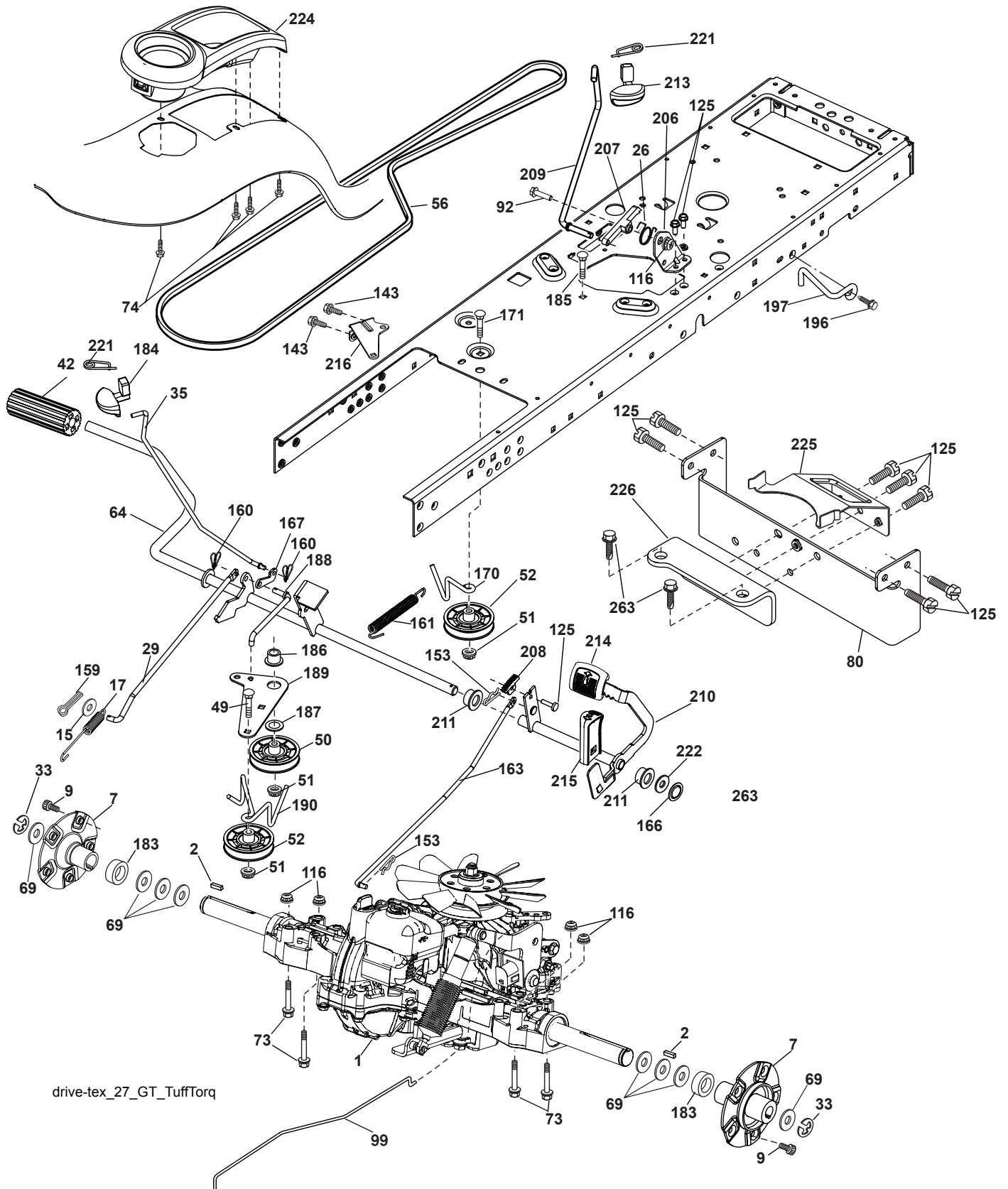
chassis-tex_52

**TRACTOR - - MODEL NUMBER PBGT26H54 (96042004000), PRODUCT NO. 960 42 00-40
CHASSIS**

KEY NO.	PART NO.	DESCRIPTION
2	194261	Drawbar
5	195102X428	Dash
14	175260X428	Hood
18	175289X428	Grille
36	17060512	Screw 5/16-18 x 3/4
37	400009X428	Fender
58	194314	Bracket Fender
68	17490508	Screw Thdrol 5/16-18 x 1/2
99	407247	Rod Bypass Asm.
122	192512	Screw WSHD Hex 10-32 x 5/8
130	191611	Screw 10 x 3/4 Single Lead-Hex
148	164655	Bumper
150	175351	Duct Heat Hood
152	194329	Shield Browning/Debris
153	161840	Lens Bar
159	17000612	Screw Hexwsh Thdrol 3/8-16 x 3/4
161	193097X428	Console Fuel Window
162	142432	Screw Hex Wsh Hi-Lo 1/4 x 1/2
165	194330	Bracket Support Tank
175	193236	Crossmember
176	400776	Screw #10-24 x 5/8 Rnd Qudrx
177	195227	Bushing Steering
178	195651	Cargo Asm. Net
180	194260	Chassis
181	193102X428	Bushing Mtg. Fender Crgo.
182	192551	Dash Lower
183	74780520	Bolt Fin Hex 5/16-18UNC x 1-1/4
188	194316	Bracket Pickoff Hood
189	17000512	Screw 5/16-18 x 3/4
194	73900500	Nut Lock Hex Flange 5/16-18
196	193098X428	Console Asm. Deck Lift
198	197300X505	Indicator Deck Lift
199	196377	Plate Deck Lift
205	169847X428	Skirt Hood RH
206	169848X428	Skirt Hood LH
219	195161	Stud Fastener
222	137729	Screw Thd Roll 1/4-20 x 5/8
235	406129	Spacer Fender

NOTE: All component dimensions given in U.S. inches
1 inch = 25.4 mm

TRACTOR -- MODEL NUMBER PBGT26H54 (96042004000), PRODUCT NO. 960 42 00-40 DRIVE



drive-tex_27_GT_TuffTorq

**TRACTOR - - MODEL NUMBER PBGT26H54 (96042004000), PRODUCT NO. 960 42 00-40
DRIVE**

KEY NO.	PART NO.	DESCRIPTION	KEY NO.	PART NO.	DESCRIPTION
1	-----	Transaxle, TuffTorq K66	161	195403	Spring, Return, Clutch
2	7070E	Key	163	407246	Rod Pedal Control
7	199837	Hub Asm. Wheel	166	197290	Nut Push .625
9	140080	Bolt Hub Wheel	167	405257	Latch Brake Parking
15	19131316	Washer 13/32 x 13/16 x 16 Ga.	170	194322	Keeper Belt Centerspan
17	401072	Spring, Brake	171	72110616	Bolt
26	199679	Spring Return Cruise	183	197357	Spacer Axle
29	407245	Rod, Brake	184	195361X428	Handle Parking Brake
33	12000053	Ring E	185	72110620	Bolt
35	197275	Rod, Brake, Park	186	194321	Spacer Retainer
37	121749X	Washer	187	19133210	Washer
42	8883R	Cover, Foot Pedal	188	194323	Link Clutch Ground Drive
49	72110614	Bolt	189	194317	Bellcrank Ground Drive
50	194327	Pulley Idler Flat	190	194318	Keeper Bellcrank Ground Drive
51	73900600	Lock Nut 3/8-16	196	17000616	Screw 3/8-16 x 1
52	194326	Idler V-Groove 910" Offset	197	199769	Bracket Clutch Anti-Rotation
56	125907X	V-Belt, Drive	206	197867	Bracket Mount Latch Cruise
64	197865	Shaft Asm. Pedal Brake Control	207	197868	Latch Control Cruise
69	123800X	Washer 1 1/32 x 1 5/8 x 16 Ga.	208	197869	Bolt Sector Control Cruise
73	74490544	Bolt Hex Flghd 5/16-18 Gr 5	209	199466	Rod Control Cruise
74	142432	Screw Hx Wsh Hi-Lo 1/4 x 1/2 unc	210	197860	Rocker Asm. Pdeal Control
80	407182	Strap Torque	211	120183X	Bearing Nylon
92	74760520	Bolt Fin Hex 5/16-18 unc x 1.25	213	195352X428	Knob Control Cruise
99	407247	Rod Bypass	214	197302X428	Pad Pedal Forward
116	73900500	Nut Lock Hex Flange 5/16-18	215	197301X428	Pad Pedal Reverse
125	17000512	Screw 5/16-18 x 3/4	222	79212010	Washer 21/32 x 1-1/4 x 10 Ga.
153	4497H	Retainer Spring	224	193099X428	Console Toolbox
159	76020412	Pin Cotter 1/8 x 3/4	225	407311	Keeper Belt Trans.
160	169484	Retainer Clip	226	407109	Bracket Mount Torque
			263	17000612	Screw 3/8-16 x 3/4

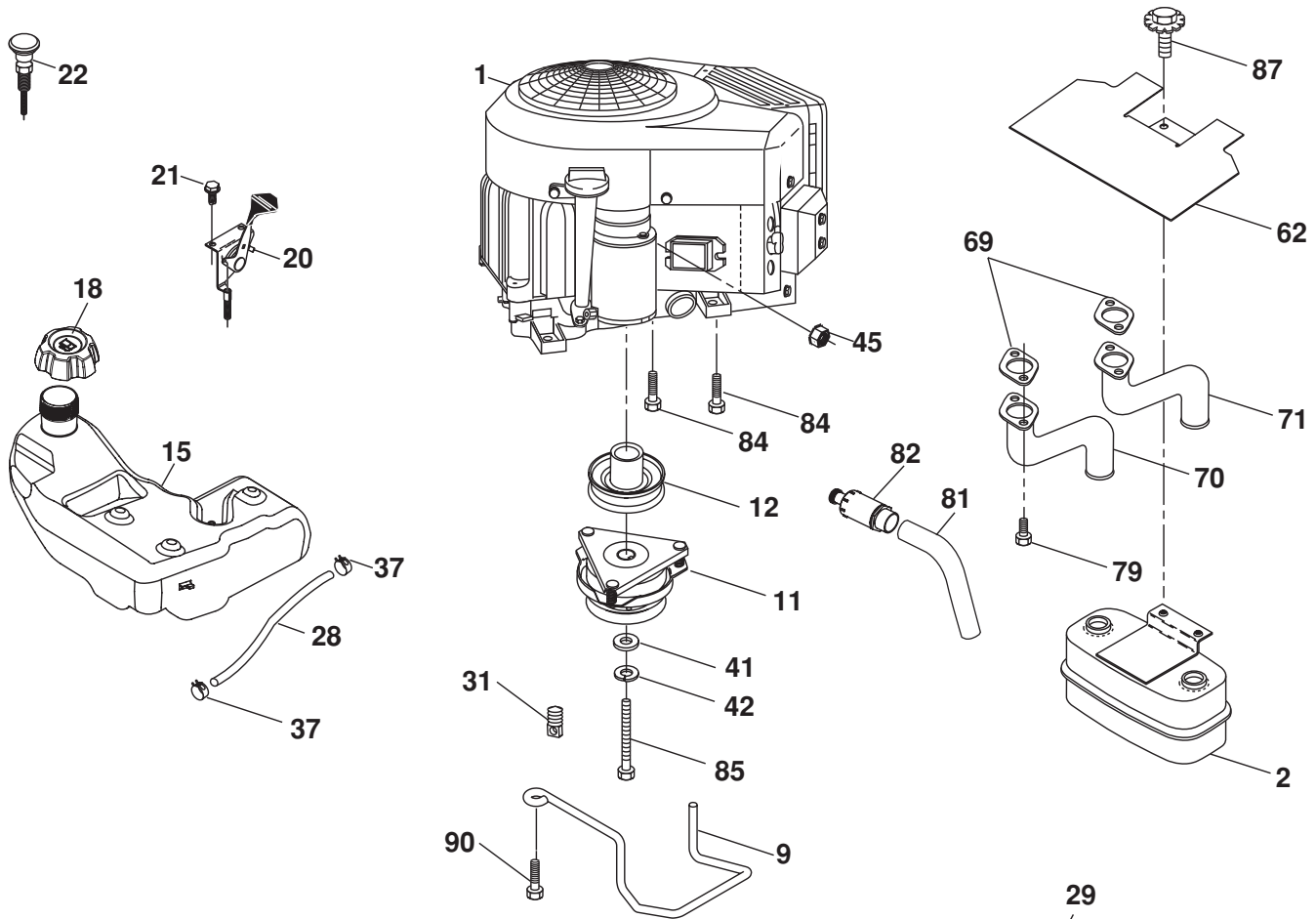
NOTE: All component dimensions given in U.S. inches
1 inch = 25.4 mm

**TRACTOR - - MODEL NUMBER PBGT26H54 (96042004000), PRODUCT NO. 960 42 00-40
STEERING ASSEMBLY**

KEY NO.	PART NO.	DESCRIPTION
1	186093X428	Wheel, Steering
2	195968	Axle Asm., Front
4	403089	Spindle Asm., LH
5	403090	Spindle Asm., RH
6	6266H	Bearing, Race Thrust Harden
7	121748X	Washer 25/32 x 1-5/8 x 16 Ga.
8	12000029	Ring, Klip #T5304-75
9	121232X	Cap, Spindle
13	121749X	Washer 25/32 x 1-1/4 x 16 Ga.
14	10040600	Washer, Lock Hvy Hlcl Spr 3/8
15	73540600	Nut, Crown Lock 3/8-24 unf
16	408219	Shaft Steering
19	194729	Plate Steering
20	195626X428	Boot, Steering
21	186737	Adapter, Wheel Steering
22	194845	Bushing, Strg. Blk
26	186095X428	Insert, Wheel Steering
28	17000612	Screw 3/8-16 x 3/4
35	194732	Gear, Sector Plate
45	19183812	Washer 9/16 x 2-3/8 x 12 Ga.
50	73900600	Nut Lock Fig. 3/8-16 unc
51	73940800	Nut Hex Jam Toplock 1/2-20 unf
53	188967	Washer Hardened .793 x 1.637 x .060
54	74760636	Bolt Hex Hs 3/8-16 unc x 2-1/4
55	197636	Spacer Brace Axle
57	197246	Bracket Upstop
58	194747	Bolt Shoulder Sector Pivot CFM
59	194748	Washer Thrust Sector Steering
60	73971000	Nut Flange Lock 5/8-11
61	194740	Draglink LH
62	194741	Draglink, RH
63	17000512	Screw 5/16-18 x 3/4
64	199849	Retainer Clip Spring Steering
65	194734	Brace Axle Front
66	71020748	Bolt Hex Fghd 7/16-14 x 3 Serr
67	194737	Bushing PM Front Axle
68	73900700	Nut Lock Flange 7/16-14 Gr. 5
69	199162	Washer 1.5 x .505 x .118
70	196197	Bracket Deck Susp. Front

NOTE: All component dimensions given in U.S. inches
1 inch = 25.4 mm

TRACTOR - - MODEL NUMBER PBGT26H54 (96042004000), PRODUCT NO. 960 42 00-40
ENGINE



engine-tex_11-vgt

SPARK ARRESTER KIT

TRACTOR - - MODEL NUMBER PBGT26H54 (96042004000), PRODUCT NO. 960 42 00-40 ENGINE

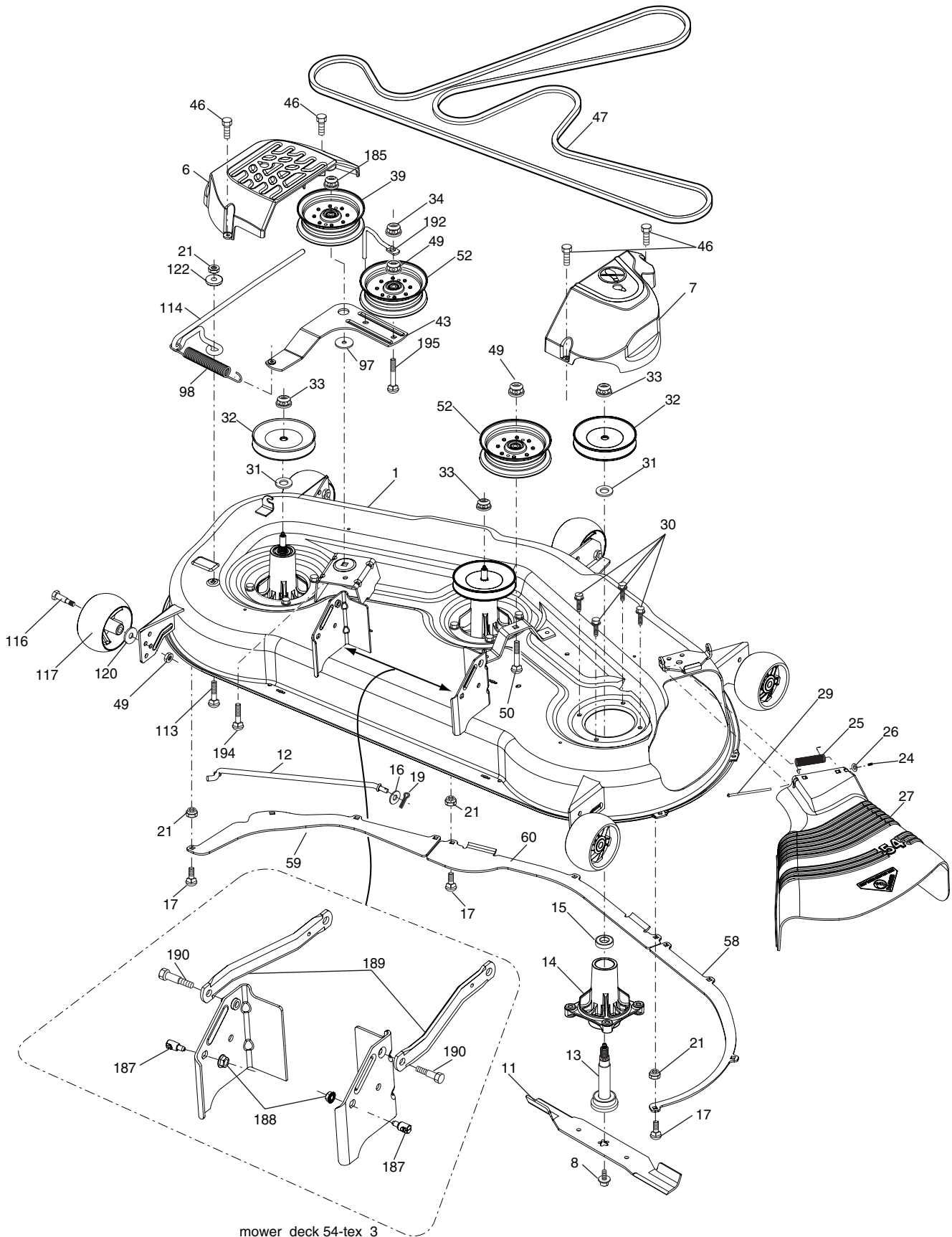
KEY NO.	PART NO.	DESCRIPTION	KEY NO.	PART NO.	DESCRIPTION
1	-----	Engine B&S Model No. 445877-0760-E1	41	126197X	Washer 1-1/2 OD x 15/32 ID x .250
2	149723	Muffler	42	10040700	Washer Lock 7/16
9	194320	Keeper Belt Engine	45	73510400	Nut Keps Hex 1/4-20 unc
11	179335	Clutch Electric	62	146629	Shield Heat Muffler
12	194343	Pulley Engine	69	165391	Gasket
15	193499	Tank Fuel 4.0	70	159955	Tube Exhaust LH
18	195951	Cap Asm	71	160589	Tube Exhaust RH
20	175437X428	Control Throttle	79	183906	Screw Socket Head
21	191611	Screw 10 x 3/4 Single Lead-Hex	81	148456	Tube Drain Oil Easy
22	187767X428	Control Choke	82	181654	Plug Drain Oil
28	401135	Fuel Line	84	17060620	Screw 3/8-16 x 1-1/4
29	137180	Spark Arrester Kit	85	179953	Bolt Hex 7/16-20 x 3.75 Gr. 5
31	145006	Clip Push-In Hinged	87	198239	Bolt 5/16-18 unc x 1 w/Sems
37	123487X	Clamp Hose	90	17000616	Screw 3/8-16 x 1

NOTE: All component dimensions given in U.S. inches
1 inch = 25.4 mm

Engine Power Rating Information

The gross power rating for individual gas engine models is labeled in accordance with SAE (Society of Automotive Engineers) code J11940 (Small Engine Power & Torque Rating Procedure), and rating performance has been obtained and corrected in accordance with SAE J1995 (Revision 2002-5). Actual gross engine power will be lower and is affected by, among other things, ambient operating conditions and engine-to-engine variability. Given both the wide array of products on which engines are placed and the variety of environmental issues applicable to operating the equipment, the gas engine will not develop the rated gross power when used in a given piece of power equipment (actual "on-site" or net horsepower). This difference is due to a variety of factors including, but not limited to, accessories (air cleaner, exhaust, charging, cooling, carburetor, fuel pump, etc.), application limitations, ambient operating conditions (temperature, humidity, altitude), and engine-to-engine variability. Due to manufacturing and capacity limitations, Briggs & Stratton may substitute an engine of higher rated power for this Series engine.

**TRACTOR - - MODEL NUMBER PBGT26H54 (96042004000), PRODUCT NO. 960 42 00-40
MOWER DECK**

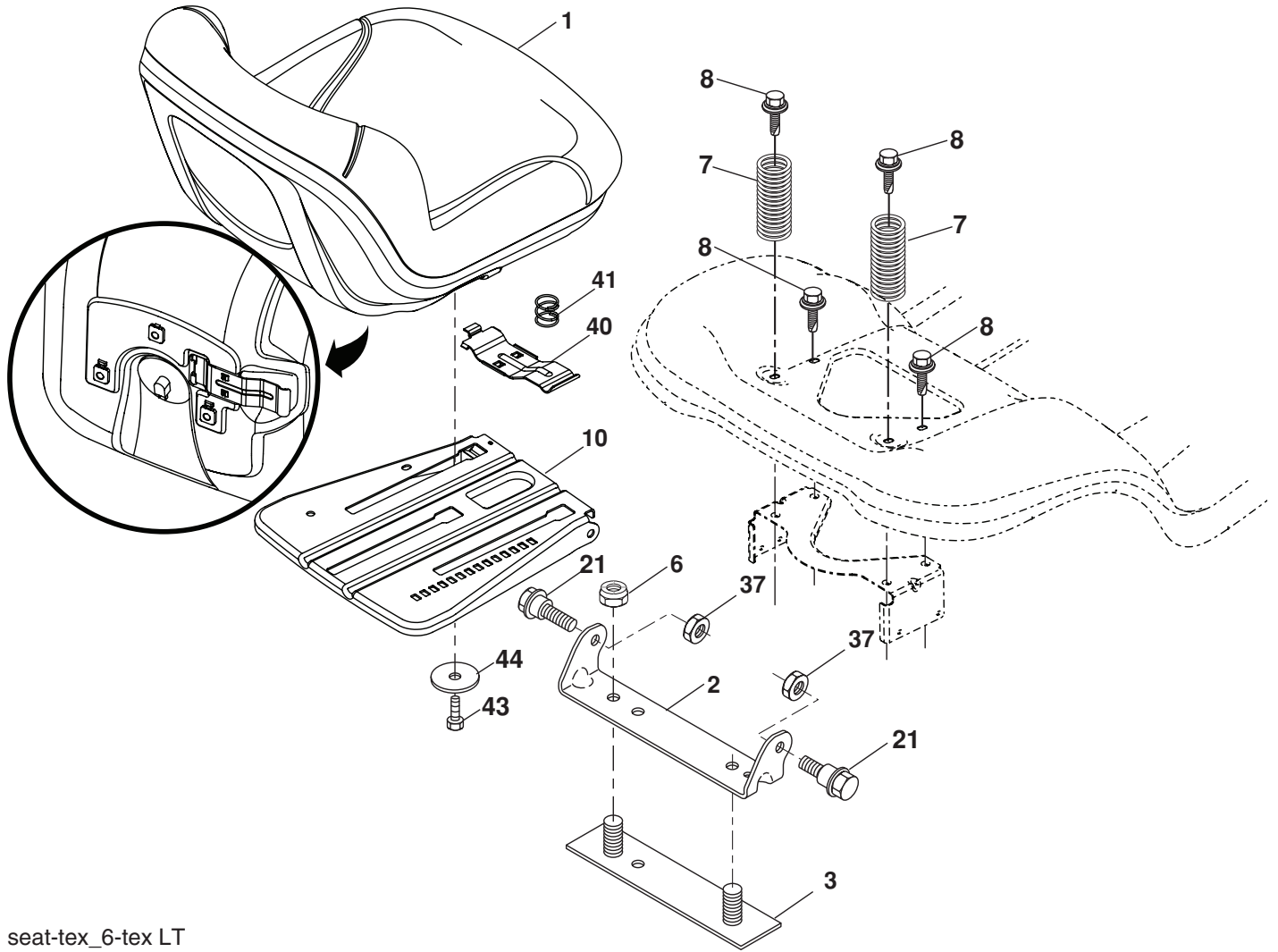


**TRACTOR - - MODEL NUMBER PBGT26H54 (96042004000), PRODUCT NO. 960 42 00-40
MOWER DECK**

KEY NO.	PART NO.	DESCRIPTION	KEY NO.	PART NO.	DESCRIPTION
1	195632X421	Deck Weldment Mower	49	73900600	Nut, Lock Flg. 3/8-16 unc
6	196066	Cover Mandrel LH	50	72110616	Bolt Rdhd Sqnk 3/8-16 unc x 2
7	197181	Cover Mandrel RH	52	196106	Pulley Idler Clutching
8	174365	Bolt 7/16 Asm. Blade	58	187342	Baffle Right
11	187254	High Lift	59	187344	Baffle Left
--	187255	Blade Mulching	60	187607	Baffle Center
--	187292	Blade	97	178515	Washer Hardened
12	400337	Rod Anti-Sway	98	196105	Spring Drive
13	187291	Shaft Asm. w/Lower Bearing	113	72110508	Bolt Rdhd Sqnk 5/16-18 x 3/4
14	187281	Housing, Mandrel	114	187556	Rod Tension Relief
15	110485X	Bearing, Ball, Mandrel	116	193406	Bolt, Shoulder
16	19131312	Washer 13/32 x 13/16 x 12 Ga.	117	174873	Gauge Wheel
17	72140505	Bolt Carr. 5/16-18 x 5/8	120	19132012	Washer 13/32 x 1-1/4 x 12 Ga.
19	194208	Pin Cotter 5/16 Bow Tie Lock	122	187557	Bushing Tension Relief
21	73680500	Nut, Crownlock 5/16-18 unc	185	73900700	Nut Lock Flange 7/16-14 Gr. 5
24	105304X	Cap Sleeve	187	195161	Stud Fastener w/"D" Anti-Rotation
25	178102	Spring, Torsion	188	73900500	Nut Lock Hex Flange 5/16-18
26	110452X	Nut, Push	189	195185	Arm Susp. Mower Rear
27	187257X428	Deflector Shield	190	196539	Bolt Shoulder
29	131491	Rod, Hinge	192	198468	Keeper Belt Idler
30	173984	Screw, Thdroll Washer Head	194	72140716	Bolt Carr Sqnk 3/8-16 x 2-1/4
31	187690	Washer, Spacer Mower Vented	195	72140620	Bolt Rdhd 3/8-16 unc x 2-3/4 Gr. 5
32	173436	Pulley, Mandrel	--	187292	Mandrel Asm. Service (Includes Key Nos. 13-15 and 33)
33	400234	Nut, Flg. Top Lock	--	197701	Replacement Mower, Complete
34	73680600	Nut Crownlock 3/8-16 unc			
39	196104	Pulley, Idler, Stationary			
43	196065	Arm, Idler			
46	137729	Screw, Thdroll. 1/4-20 x 5/8			
47	196103	V-Belt, Mower			

NOTE: All component dimensions given in U.S. inches
1 inch = 25.4 mm

**TRACTOR - - MODEL NUMBER PBGT26H54 (96042004000), PRODUCT NO. 960 42 00-40
SEAT ASSEMBLY**



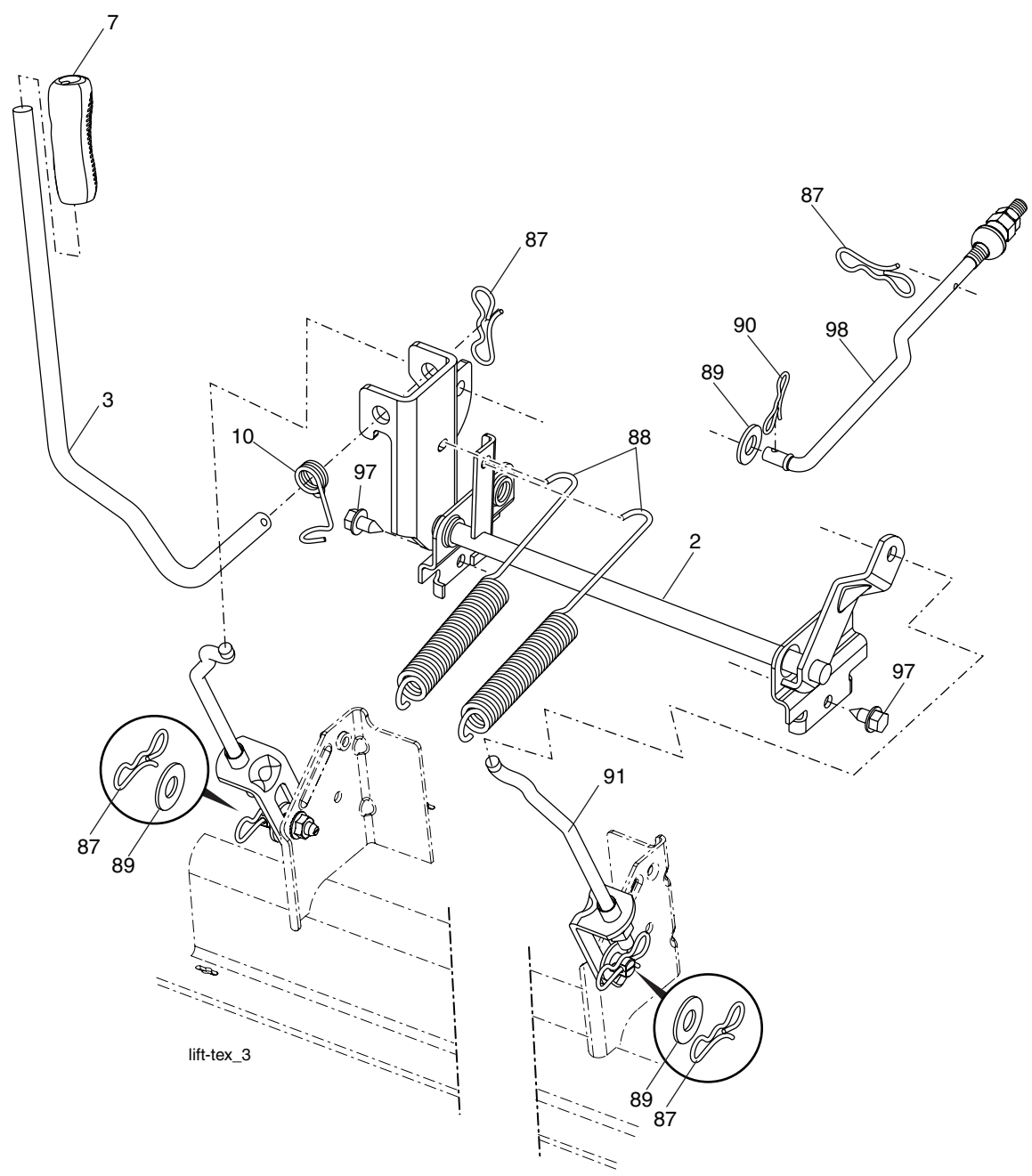
seat-tex_6-tex LT

KEY NO.	PART NO.	DESCRIPTION
1	406623	Seat
2	180166	Bracket Pivot Fender
3	140675	Strap, Asm Fender
6	73800600	Nut, Lock W/Ins. 3/8-16 unc
7	124181X	Spring, Seat Cprsn
8	171877	Bolt 5/16-18 uncx 3/4 w/Sems
10	196977	Pan, Seat
21	171852	Bolt, Shoulder 5/16-18

KEY NO.	PART NO.	DESCRIPTION
37	73800500	Nut, Lock 5/16-18 unc
40	197661	Handle Slide Seat
41	198200	Spring Latch Seat
43	74760612	Bolt Fin Hex 3/8-16 unc x 3/4
44	19133812	Washer 13/32 x 2-3/8 x 12 Ga.

NOTE: All component dimensions given in U.S. inches
1 inch = 25.4 mm

**TRACTOR - - MODEL NUMBER PBGT26H54 (96042004000), PRODUCT NO. 960 42 00-40
MOWER LIFT**



KEY NO.	PART NO.	DESCRIPTION
2	195223	Shaft Asm., Lift
3	195230	Lever Asm., Lift Rh
7	196492X421	Grip, Lever
10	196314	Spring Torsion
87	194209	Pin Cotter 7/16 Bow Tie Lock
88	195304	Spring Lift Assist

KEY NO.	PART NO.	DESCRIPTION
89	19191912	Washer Clear Zinc
90	194208	Pin Cotter 5/16 Bow Tie Lock
91	403407	Link Lift Susp Mower Rear
97	17060612	Screw 3/8-16 x .75 Smgml Tap/R.Z
98	195264	Link Lift Susp. Front Mower

NOTE: All component dimensions given in U.S. inches
1 inch = 25.4 mm

SERVICE NOTES

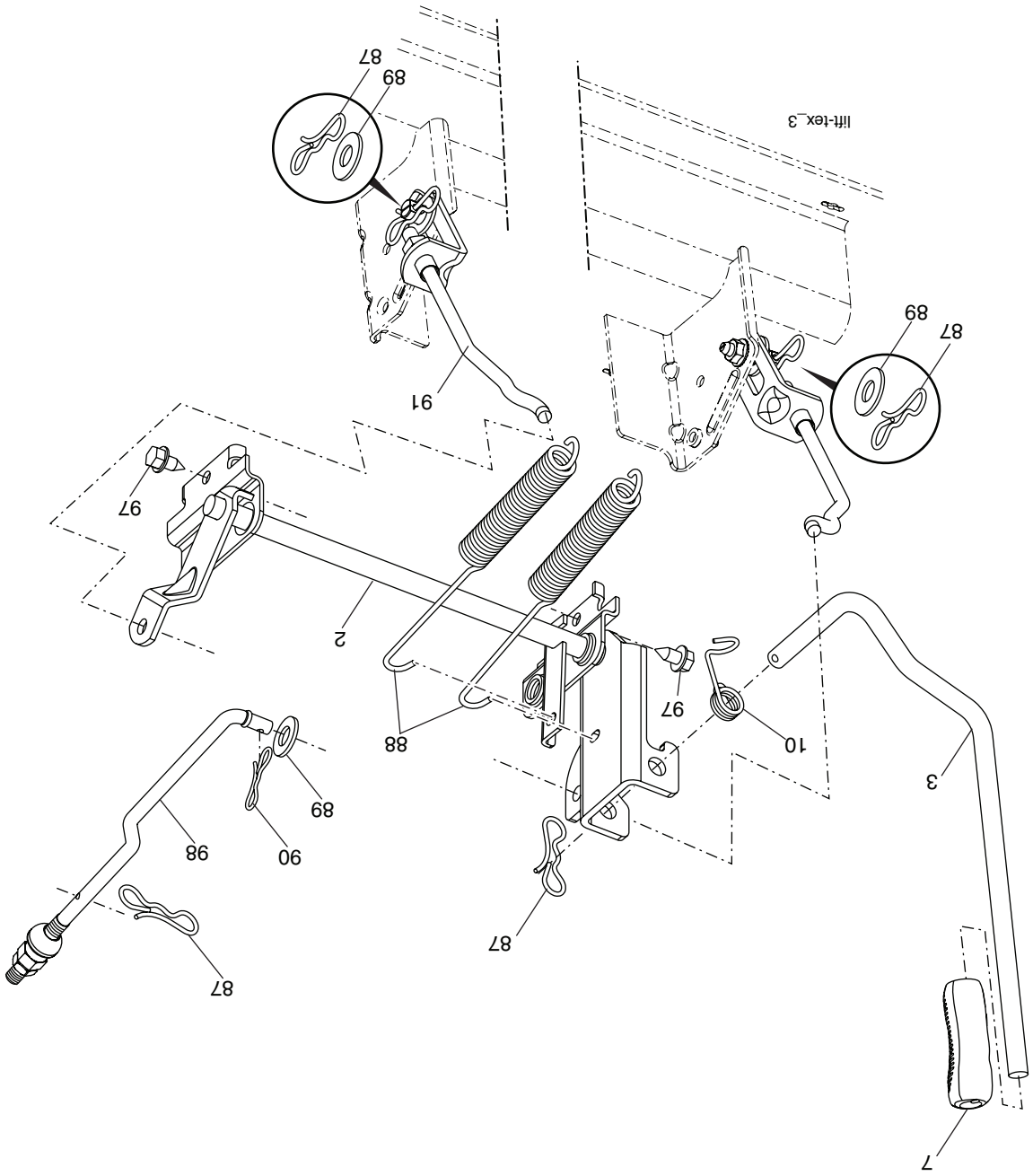
SERVICE NOTES

Poulan PRO

Poulan PRO

TRACTEUR - NO. DE MODÈLE PBGT26H54 (96042004000), NO. DE PRODUIT 960 42 00-40

LEVAGE DE TONDEUSE



NO. DE PIÈCE	DESCRIPTION
2	Ensemble de l'arbre
3	Ensemble de l'arbre de levage C.D.
7	Poignée cannelée du levier
10	Ressort de Torsion
196314	Goupille fendue 7/16
88	Ressort de retenue
195304	Rondelle
19191912	

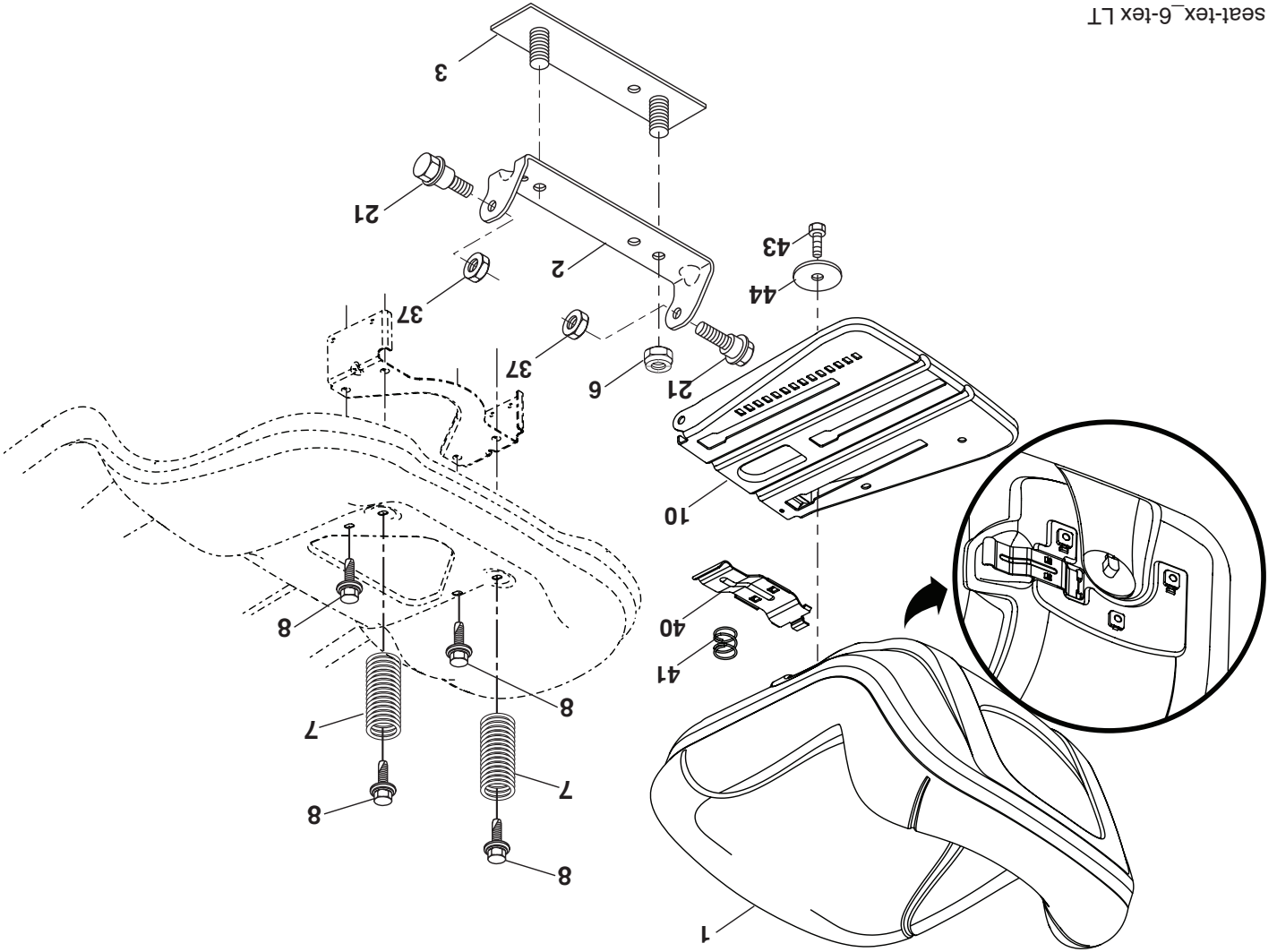
NO. DE PIÈCE	DESCRIPTION
90	Goupille fendue 5/16
194208	Raccord de levage
91	Vis 3/8-16 x .75
403407	Raccord de levage
97	17060612
98	195740

REMARQUE: Toutes les dimensions de composant sont données en pouces E.-U. --1 pouce = 25,4 mm.

TRACTEUR - NO. DE MODÈLE PBGT26H54 (9604200400), NO. DE PRODUIT 960 42 00-40

ENSEMBLE DU SIÈGE

seat-tex_6-tex LT



REMARQUE: Toutes les dimensions de composant sont données en pouces E.-U. --1 pouce = 25,4 mm

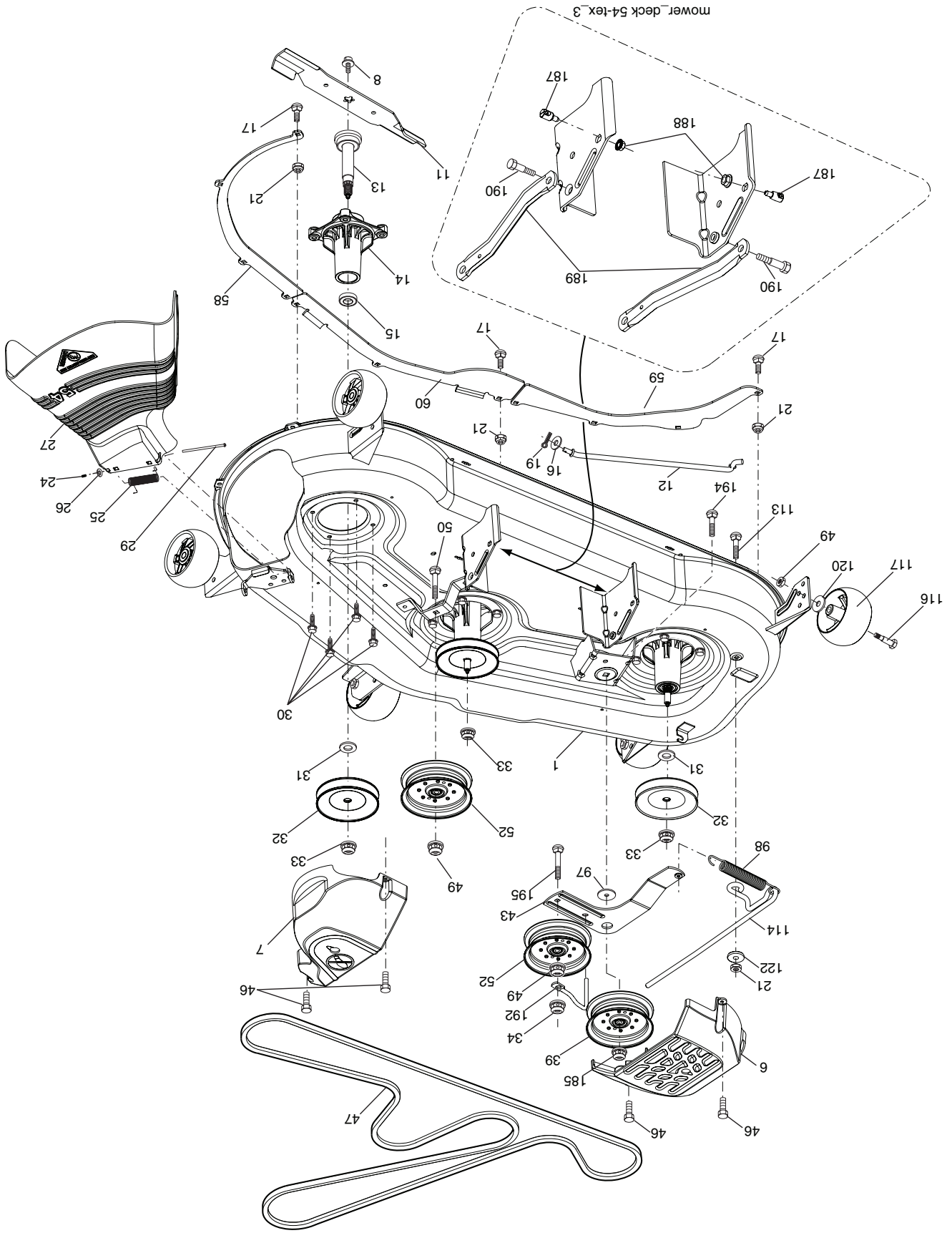
NO. DE PIÈCE	DESCRIPTION	NO. DE PIÈCE	DESCRIPTION
1	Siège	21	Boulon à épaulement 5/16-18
2	Support de pivot	37	Ecrou frein 5/16-18 unc
3	Attache de l'ensemble de l'aile	40	Guidon
6	Ecrou frein H avec insert 3/8-16 unc	41	Ressort de compression
7	Ressort de compression du siège	43	Boulon 3/8-16 x 3/4
8	Boulon 5/16-18 unc x 3/4	44	Rondelle 13/32 x 2-3/8 x 12 Ja.
10	Cuvette du siège		

NO. DE PIÈCE	DESCRIPTION	NO. DE PIÈCE	DESCRIPTION
1	406623		
2	180166		
3	140675		
6	73800600		
7	124181X		
8	171877		
10	196977		

TRACTEUR - NO. DE MODELE PBGT26H54 (96042004000), NO. DE PRODUIT 960 42 00-40

NO.	DE	PIECE	DESCRIPTION	NO.	DE	PIECE	DESCRIPTION
1		195632X421	Ensemble du carter	49		73900600	Écrou frein 3/8-16 unc
6		196066	Couvercle de mandrin C.G.	50		72110616	Boulon 3/8-16 unc x 2
7		197181	Couvercle de mandrin C.D.	52		196106	Pouille du galet-tendeur
8		174365	Boulon 7/16	58		187342	Chicane C.D.
11		187254	Lever	59		187344	Chicane C.G.
--		187255	Lame déshiqueuseuse	60		187607	Chicane Centrale
--		187292	Lame	97		178515	Rondelle
12		400337	Tige	98		196105	Ressort de retenue
13		187291	Ensemble de l'arbre	113		72110508	Boulon 5/16-18 x 3/4
14		187281	Carter du mandrin	114		187556	Tige
15		110485X	Roulement à billes	116		193406	Boulon
16		19131312	Rondelle 13/32 x 13/16 x 12Ga.	117		1874873	Support des roues
17		72140505	Boulon 5/16-18 x 5/8	120		19132012	Rondelle 13/32 x 1-1/4 x 12 Ja.
19		194208	Goupille Serrure De Bowtie De la Clavette 5/16	122		187557	Douille
21		73680500	Écrou 5/16-18 unc	185		73900700	Écrou frein 7/16-14 Cat. 5
24		105304X	Chapeau de manchon	188		73900500	Écrou frein H
25		178102	Ressort de torsion	189		195185	Bras de suspension arrière
26		110452X	Écrou	190		196539	Boulon
27		187257X428	Déflecteur de décharge	192		198468	Guide-courroie
29		131491	Tige de charnière	194		72140716	Boulon 3/8-16 x 2-1/4
30		173984	Vis H	195		72140620	Boulon 3/8-16 unc x 2-3/4 Cat. 5
31		187690	Rondelle	--		187292	Ensemble de mandrin (Y compris les nos. de réf. 13-15 et 33)
32		173436	Pouille de mandrin	--		197701	Ensemble du carter de tondeuse complet
33		400234	Écrou				
34		73680600	Écrou frein 3/8-16 unc				
39		196104	Pouille du galet-tendeur C.G.				
43		196065	Bras du galet-tendeur				
46		137729	Vis 1/4-20 x 5/8				
47		196103	Courroie d'entraînement				

REMARQUE: Toutes les dimensions de composant sont données en pouces E.-U. --1 pouce = 25,4 mm.



TRACTEUR - NO. DE MODELE PBGT26H54 (96042004000), NO. DE PRODUIT 960 42 00-40

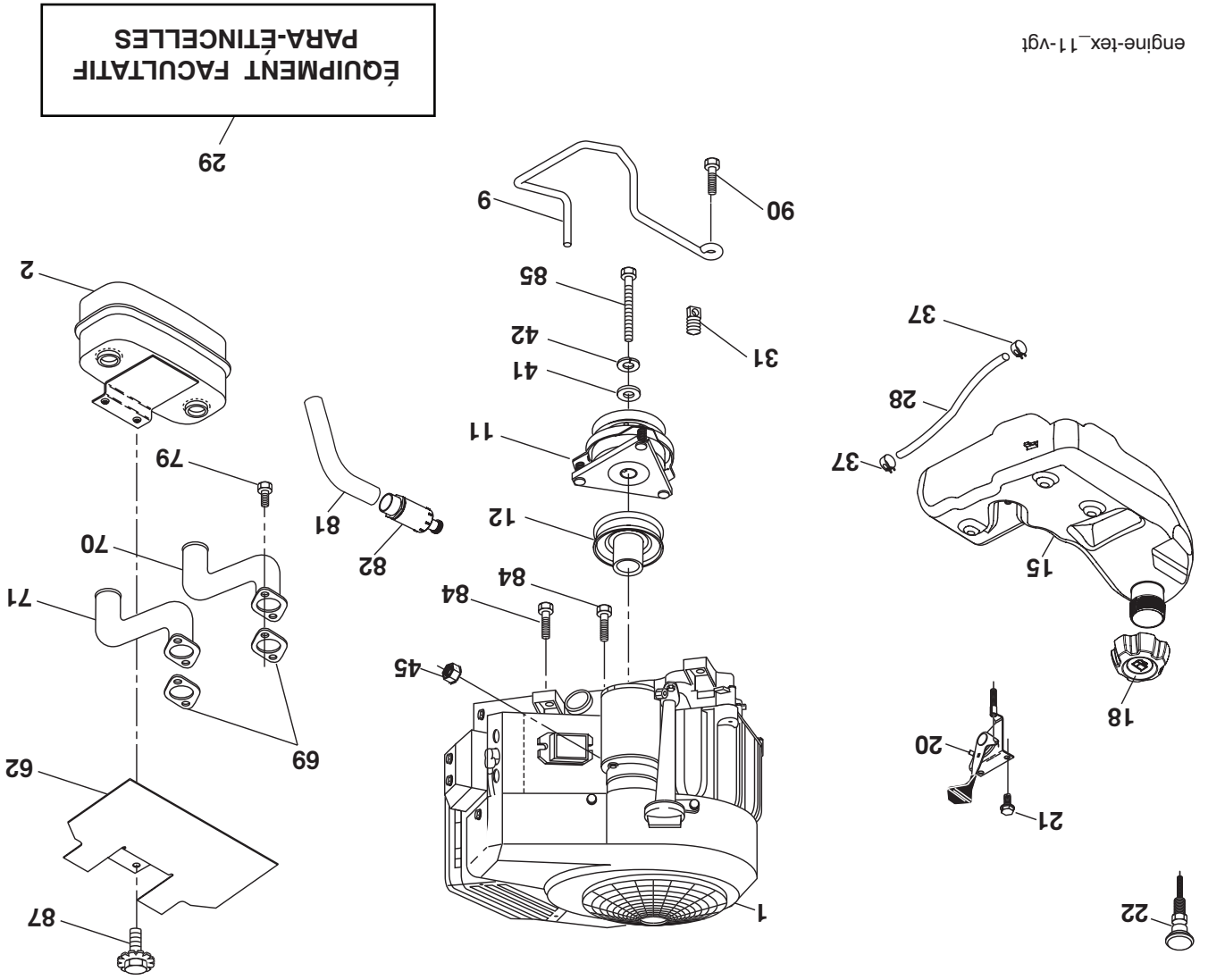
MOTEUR

NO.	DE	REF.	DESCRIPTION	NO.	DE	REF.	DESCRIPTION
2		149723	Silencieux	45		73510400	Ecrou H 1/4-20 unc
9		194320	Courroie du moteur	62		146629	Défecteur de débris
11		179335	Embrayage électrique	69		165391	Garniture de silencieux
12		194343	Poulie	70		176067	Tube C.G.
15		193499	Réservoir d'essence	71		160589	Tube C.D.
18		195951	Chapeau	79		183906	Vis 5/16-18 x 1
20		175437X428	Commande des gaz	81		148456	Tube de vidange d'huile
21		191611	Vis H 10 x 3/4	82		181654	Bouchon
22		187767X428	Commande du starter	84		17060620	Vis 3/8-16 x 1/4
28		401135	Conduite d'essence	85		179953	Boulon 7/16-20 x 20 x 3,75 Gr.5
29		137180	Jeu de pare - étincelles	87		198239	Boulon 5/16-18 unc x 1 avec sems
31		145006	Collier pressé	90		17000616	Vis 3/8-16 x 1

REMARQUE: Toutes les dimensions de composant sont données en pouces E.-U. --1 pouce = 25,4 mm

L'information de Classement de Pouvoir de Moteur

Le pouvoir brut évaluant pour les modèles de moteur de gaz individuels est conformément étiqueté à SAE (la Société d'Ingénieurs Automoteurs) le code J1 1940 (le Petit Pouvoir de Moteur & le Moment de torsion Evaluant la Procédure), et l'exécution de classement a été obtenue et a été corrigée conformément à SAE J1995 (la Révision 2002-5). Le véritable pouvoir de moteur brut sera plus bas et est affecté par, entre autres choses, les conditions d'opération ambiantes et le moteur-à-la variabilité de moteur. Donné les deux le tableau large de produits sur lesquels est placé le pouvoir de grosse évalué quand utilisé dans un morceau donné d'équipement, le moteur de gaz ne développera pas sur place » ou nette). Cette différence est en raison d'une assortment de facteurs inclut, mais pas limité à, les accès-soires (le nettoyeur d'air, l'échappement, chargé, le refroidissement, le carburateur, la pompe de carburant, etc.), les limitations d'application, les conditions d'opération ambiantes (la température, l'humidité, l'altitude), et le moteur-à-la variabilité de moteur. En raison des limitations de fabrication et capacité, Briggs & Stratton peut substituer un moteur de plus haut pouvoir évalué pour ce moteur de Feuilleton.



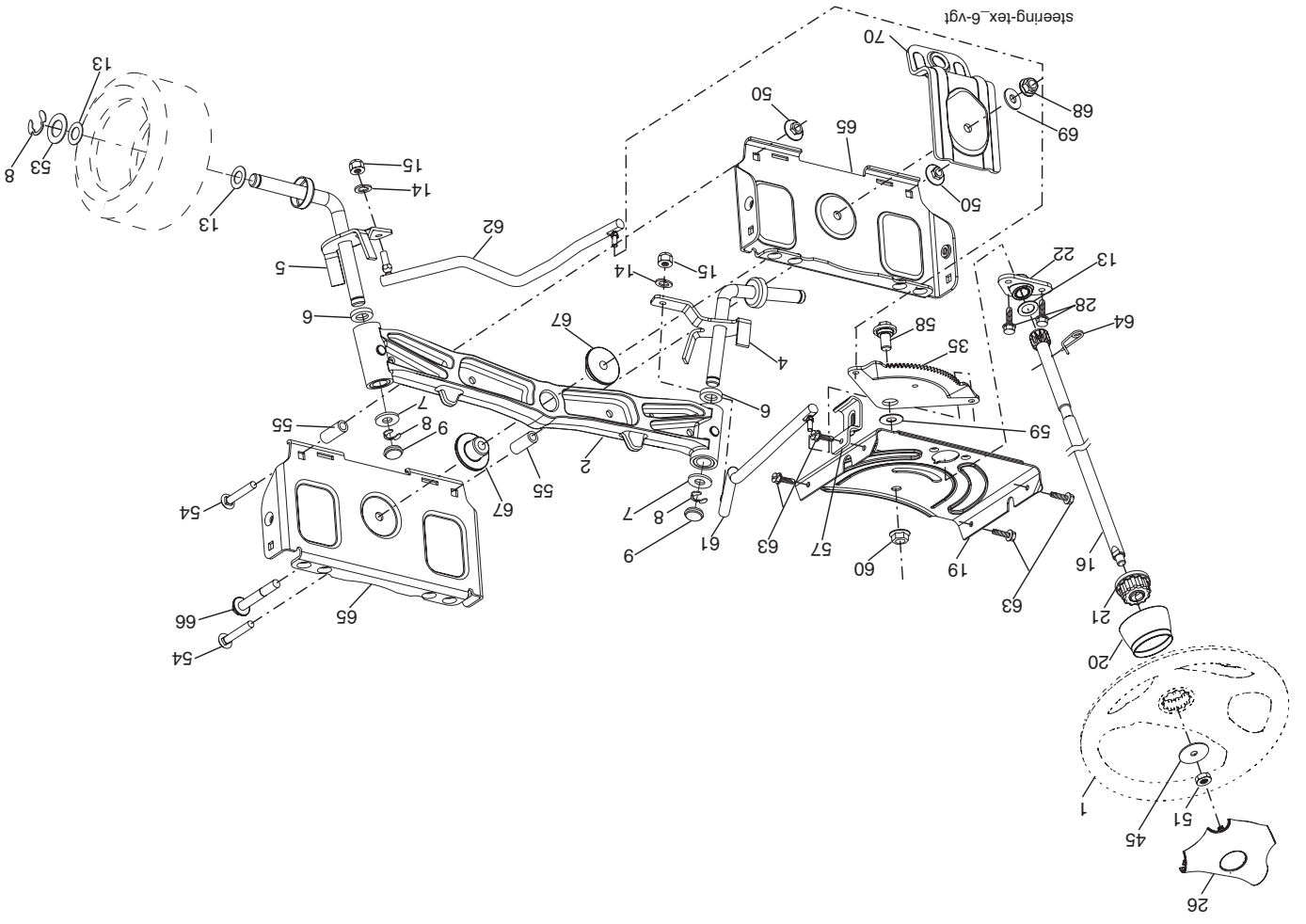
TRACTEUR - NO. DE MODÈLE PBGT26H54 (96042004000), NO. DE PRODUIT 960 42 00-40
ENSEMBLE DE LA DIRECTION

NO.	DE	RÉF.	DESCRIPTION
1		186093X428	Volant de direction
2		195968	Essieu
4		403089	Ensemble de la broche C.G.
5		403090	Ensemble de la broche C.D.
6		6266H	Palier de butée durci
7		121748X	Rondelle 25/32 x 1-5/8 x 16 Ja.
8		12000029	Rondelle clip n°15304-75
9		121232X	Chapeau de broche
13		121749X	Rondelle 25/32 x 1-1/4 x 16 Ja.
14		10040600	Rondelle frein 3/8
15		73540600	Ecroû frein 3/8-24 unt
16		408219	Arbre de direction
19		194729	Arbre de plaque
20		195626X428	Initialisation de direction
21		186737	Adaptateur du volant de direction
22		194845	Douille de direction
26		186095X428	Insert de chapeau du volant de direction
28		17000612	Vis 3/8-16 x 3/4
35		194732	Secteur denté
45		19183812	Rondelle 9/16 x 2-3/8 x 12 Ja.
50		73900600	Ecroû 3/8-16UNC
51		73940800	Contre-écrou 1/2-20 unt
53		188967	Rondelle .793 x 1.637 x .060
54		74760636	Bouion 3/8-16UNC x 2-1/4
55		197636	Entretoise D'Axé De Frein
57		197246	Support
58		194747	Bouion à épaulement
59		194748	Rondelle
60		73971000	Ecroû frein à collet 5/8-11
61		194740	Barre de direction C.G.
62		194741	Barre de direction C.D.
63		17000512	Vis 5/16-18 x 3/4
64		199849	Collier de retenue
66		71020748	Bouion H 7/16-14 x 3
67		194737	Douille
68		73900700	Ecroû frein à collet 7/16-14 Cat. 5
69		199162	Rondelle 1.5 x .505 x .118
70		196197	Support

REMARQUE: Toutes les dimensions de composant sont données en pouces E.-U. --1 pouce = 25,4 mm

TRACTEUR - NO. DE MODÈLE PBGT26H54 (96042004000), NO. DE PRODUIT 960 42 00-40

ENSEMBLE DE LA DIRECTION



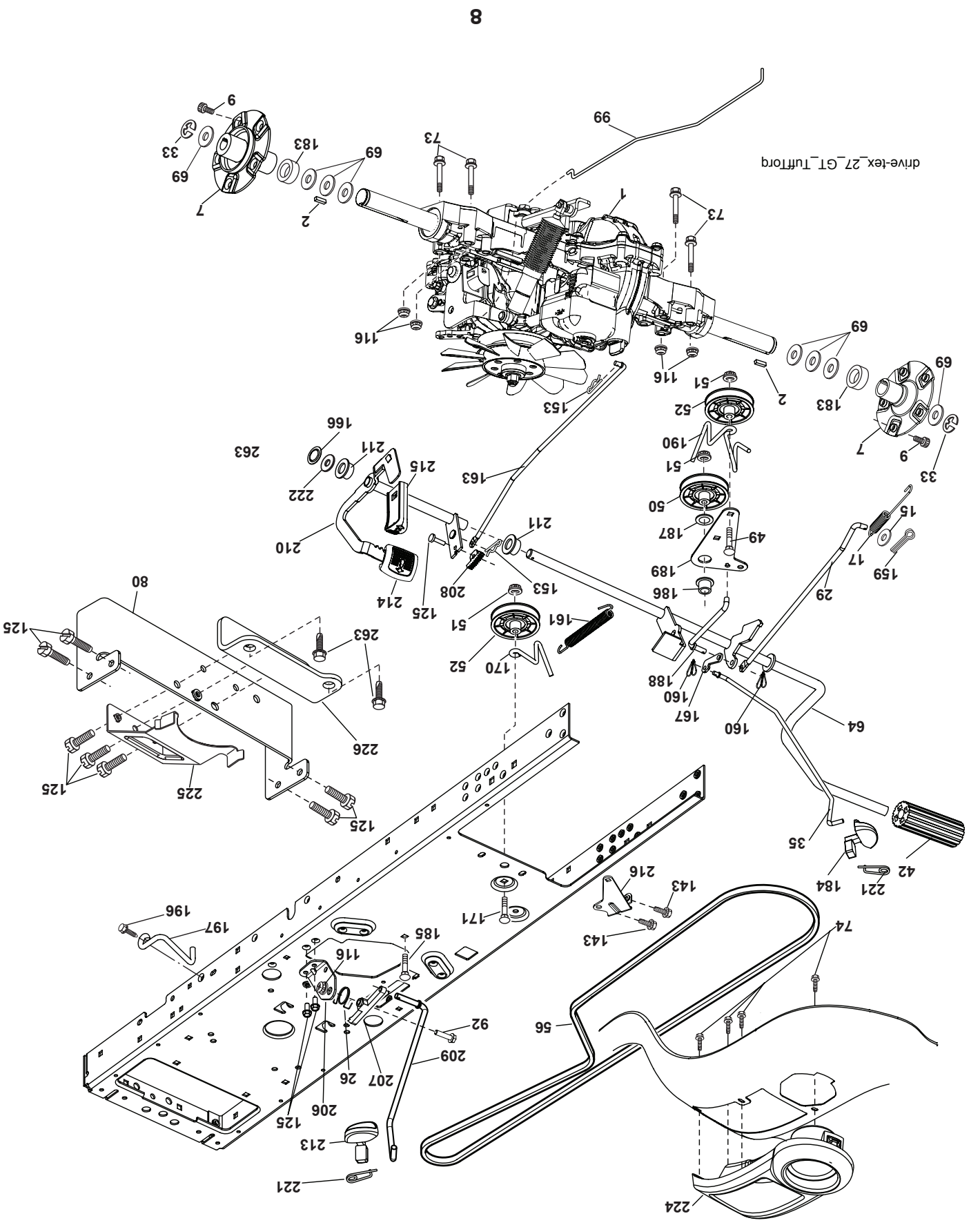
TRACTEUR - NO. DE MODELE PBGT26H54 (96042004000), NO. DE PRODUIT 960 42 00-40

ENTRAÎNEMENT

NO. DE DÉ	PIECE	DESCRIPTION	NO. DE DÉ	PIECE	DESCRIPTION
1	----	Transmission, TurffTorq K66	161	195403	Ressort de rappel d'embrayage
2	7070E	Ciè	163	407246	De commande Tringle De Pédale
7	19837	Assemblée De Moyen De Roue	166	197290	Rondelle Frein .625
9	14080	Boulon De Moyen De Roue	167	405257	Loquet
15	19131316	Rondelle 13/32 x 13/16 x 16 Ga.	170	194322	Guide-courroie
17	401072	Ressort De Frein	171	72110616	Boulon
26	199679	Ressort de rappel	183	197357	Entretoise axle
29	407245	Tige du frein	184	195361X428	Guidon
33	12000053	Bague en E	185	72110620	Boulon 3/8-16 x 2-1/2
35	197275	Tige du frein de stationnement	186	194321	Ressort de retenue
37	121749X	Rondelle	187	19133210	Rondelle
42	8883R	Couverture de la pédale	188	194323	Raccord d'embrayage
49	72110614	Boulon	189	194317	Levier coudé
50	194327	Pouille du galet-tendeur	190	194318	Guide
51	73900600	EcroU frein 3/8-16	196	17000616	Vis 3/8-16 x 1
52	194326	Galet-tendeur	197	199769	Support
56	125907X	Courroie trapézoïdale	206	197867	Support
64	197865	Ensemble de l'arbre	207	197868	Loquet
69	123800X	Rondelle 1 1/32 x 1 5/8 x 16 Ga.	208	197869	Secteur denté
73	74490544	Boulon Hex Flghd 5/16-18 Gr 5	209	199466	Tige
74	142432	Vis 1/4 x 1/2	210	197860	Culbuteur
80	407182	Attache de torison	211	120183X	Palier de nylon
92	74760520	Boulon H 5/16-18 unc x 1.25	213	195352X428	Boulon
99	407247	Sauter la tringle	214	197302X428	Pédale en avant
116	73900500	EcroU frein H 5/16-18	215	193301X428	Pédale contraire
125	17000512	Vis 5/16-18 x 3/4	222	79212010	Rondell 21/32 x 1-1/4 x 10 Ja.
153	4497H	Ressort D'Arrêtoir	224	193099X428	Console de boîte à outils
159	76020412	Goupille fendue 1/8 x 3/4	225	407311	Ceinture De Garde De Transmission
160	169484	Collier de retenue	226	407109	Couple De Bâti De Parenthèse

REMARQUE: Toutes les dimensions de composant sont données en pouces E.-U. -- 1 pouce = 25,4 mm

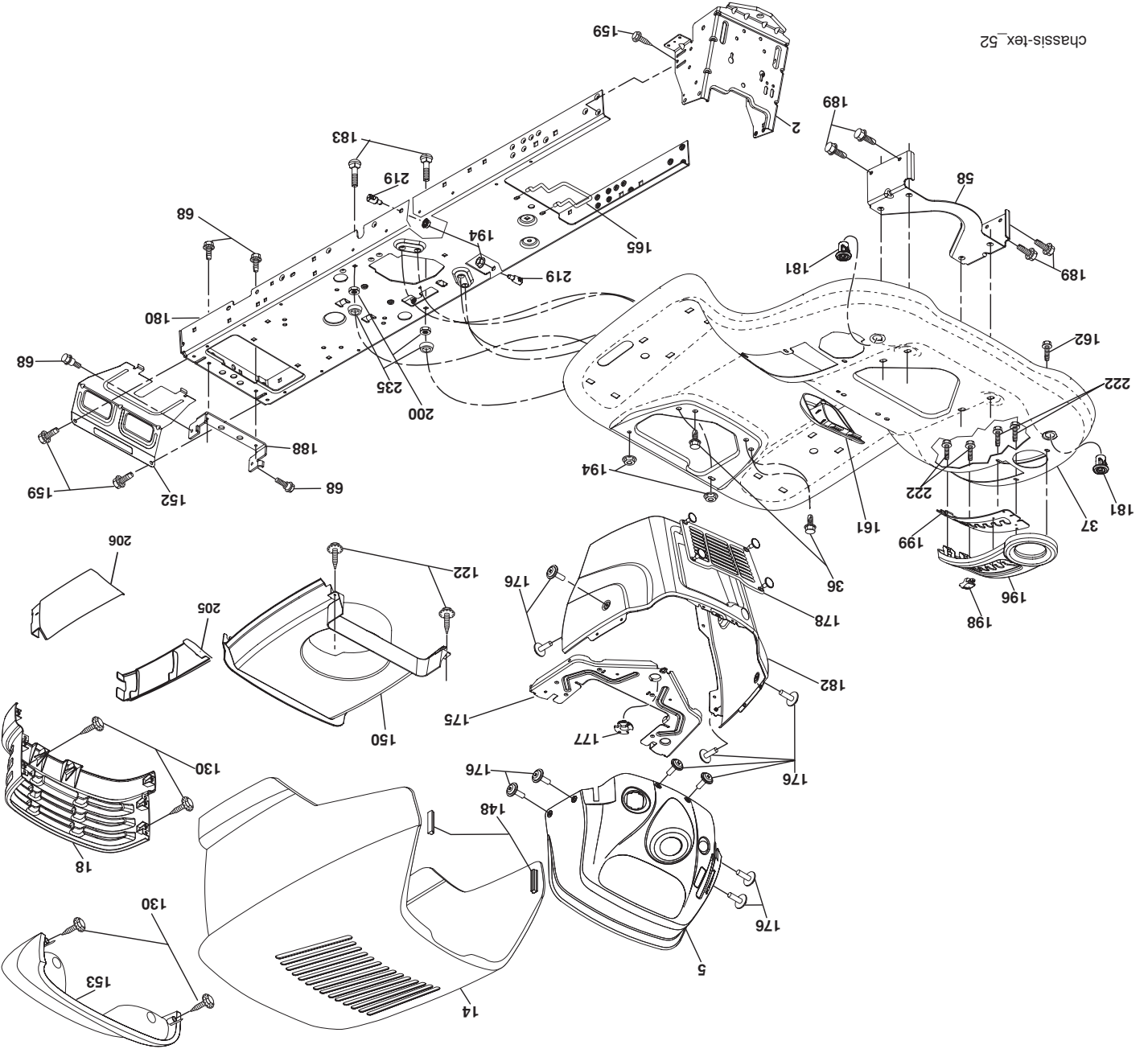
TRACTEUR - NO. DE MODELE PBGT26H54 (96042004000), NO. DE PRODUIT 960 42 00-40
ENTRAINMENT



NO.	DE	REF.	DESCRIPTION
NO.	DE	PIECE	
2		194261	Barre extensible
5		195102X428	Tableau de bord
14		175260X420	Capot
18		175289X428	Calandre
36		17060512	Screw 5/16-18 x 3/4
37		400009X428	Aile
58		194314	Support
68		17490508	Vis 5/16-18 x 1/2
99		407247	Tige
122		192512	Vis 10-13 x 5/8
130		191611	Vis H 10 x 3/4
148		164655	Butoir
150		175351	Canalisation
152		194329	Deflecteur
153		161840	Barre D'Objectif
159		17000612	Vis
161		193097X428	Fenetre de combustible
162		142432	Vis H 1/4 x 1/2
165		194330	Soutien du support
175		193236	Pièce d'entretouement
176		400776	Vis 10-24 x 5/8
177		195227	Douille
178		195651	Couverture
180		194260	Chassis
181		193102X428	Douille
182		192551	Tableau de bord
183		74780520	Boulon
188		194316	Support, Capot
189		17000512	Vis 5/16-18 x 3/4
194		73900500	Ecroû frein H 5/16-18
196		193098X428	Panneau du tableau de bord
198		197300X505	Indicateur D'Ascenseur De Plate-forme
199		196377	Plaque de renforcement
205		169847X428	Jupe C.D.
206		169848X428	Jupe C.G.
219		195161	Attache De Goujon
222		137729	Vis 1/4-20 x 5/8
235		406129	Entretouise

REMARQUE: Toutes les dimensions de composant sont données en pouces E.-U. --1 pouce = 25,4 mm

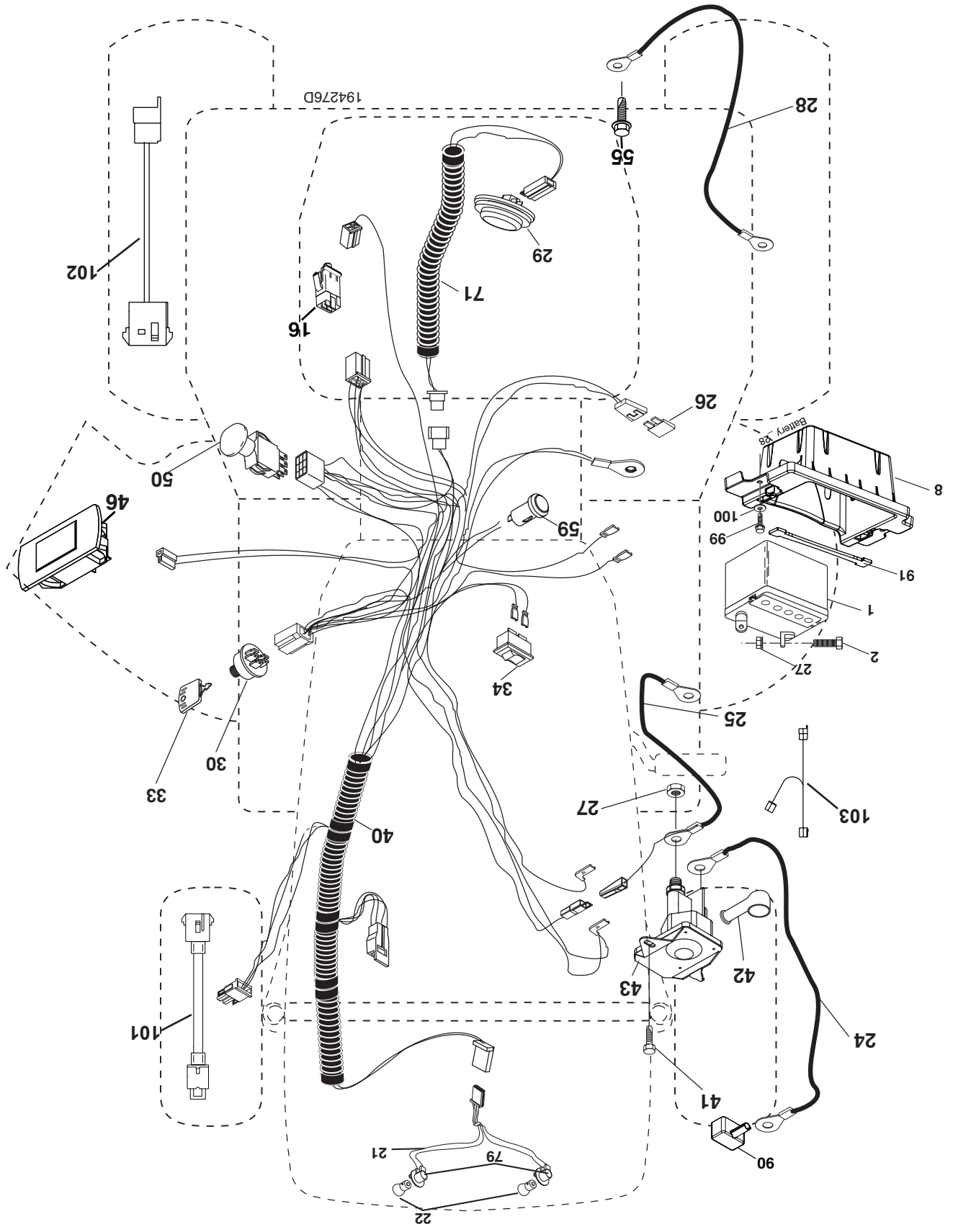
TRACTEUR - NO. DE MODÈLE PBGT26H54 (96042004000), NO. DE PRODUIT 960 42 00-40
CHÂSSIS/ENCEINTE

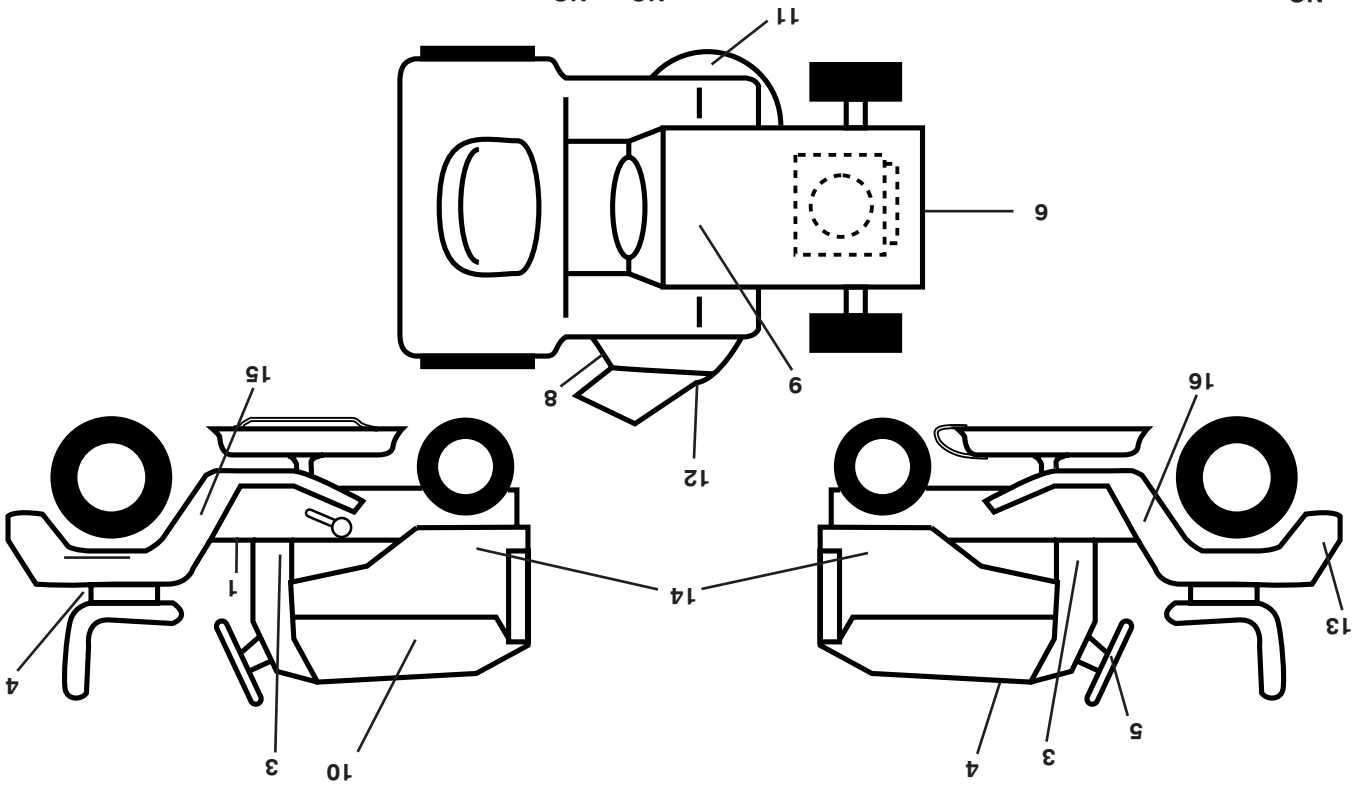


chassis-tex_52

NO. DE PIÈCE	DESCRIPTION	NO. DE PIÈCE	DESCRIPTION
1	Batterie	144927	Batterie
2	Boulon H 1/4-20 unc x 3/4	74760412	Boulon H 1/4-20 unc x 3/4
8	Bac de batterie	186491	Bac de batterie
16	Interrupteur de verrouillage pressé	176138	Interrupteur de verrouillage pressé
21	Harnais des prises de courant des phares W/14152J	175688	Harnais des prises de courant des phares W/14152J
22	Ampoule	4152	Ampoule
24	Câble de batterie	400253	Câble de batterie
25	Câble de batterie de 6 ja avec un fil de 16 po. - rouge	198893	Câble de batterie de 6 ja avec un fil de 16 po. - rouge
26	Fusible	175158	Fusible
27	Écrou H 1/4-20 unc	73510400	Écrou H 1/4-20 unc
28	Câble de masse de 6 ja. de 21" - noir	145491	Câble de masse de 6 ja. de 21" - noir
29	Interrupteur	401545	Interrupteur
30	Contacteur d'allumage	193350	Contacteur d'allumage
33	Clé de contact	140401	Clé de contact
34	L'Interrupteur des phares	110712X	L'Interrupteur des phares
40	Support	401104	Support
41	Vis 1/4-20 x 1/2	17720408	Vis 1/4-20 x 1/2
42	Couverture de borne	131563	Couverture de borne
43	Solénoïde	192507	Solénoïde
46	Compteur horaire	401763	Compteur horaire
50	Interrupteur	174653	Interrupteur
55	Vis 5/16-18 x 3/4	17060512	Vis 5/16-18 x 3/4
59	Sortie 12-volt	400303	Sortie 12-volt
71	Harnais des câbles d'allumage Châssis	194276	Harnais des câbles d'allumage Châssis
79	Assemblée De Bulbholder	175242	Assemblée De Bulbholder
90	Couverture	400724	Couverture
91	Attache	190270	Attache
99	Vis H 1/4-20 x 3/4	17670412	Vis H 1/4-20 x 3/4
100	Rondelle 9/32 x 7/8 x 16 Ja.	19091416	Rondelle 9/32 x 7/8 x 16 Ja.
101	Natte MATNLK	198317	Natte MATNLK
102	Exploiter la natte 12V sortie	404454	Exploiter la natte 12V sortie
103	Exploiter la natte K46	407962	Exploiter la natte K46

REMARQUE: Toutes les dimensions de composant sont données en pouces E.-U. --1 pouce = 25,4 mm

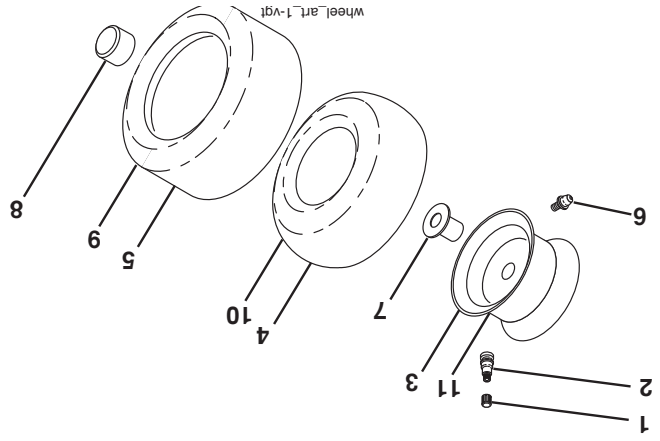




NO.	DÉ	NO	DESCRIPTION
1	402104	DÉCALCOMANIE	d'opération
2	402355	DÉCALCOMANIE	du capot avec
3	402525	DÉCALCOMANIE	inférieur tableau de bord
4	411140	DÉCALCOMANIE	de pièces de rechange
5	172743	DÉCALCOMANIE	volant de direction
6	408843	DÉCALCOMANIE	du moteur
7	407403	DÉCALCOMANIE	du Mod/Sen
8	198785	DÉCALCOMANIE	de tondeuse
9	145005	DÉCALCOMANIE	de danger/poison de la
10	402357	DÉCALCOMANIE	du capot avec

NO.	DÉ	NO	DESCRIPTION
11	178502	DÉCALCOMANIE	d'attention
12	170563	DÉCALCOMANIE	de tondeuse
13	172740	DÉCALCOMANIE	de l'aile
14	408796	DÉCALCOMANIE	du panneau latéral
15	408948	DÉCALCOMANIE	Pare-chocs latéral CG
16	408949	DÉCALCOMANIE	Pare-chocs latéral CD
--	166960	DÉCALCOMANIE	dérivation
--	193279X428	Coussin	d' repose-pied C.G.
--	193101X428	Coussin	d' repose-pied C.D.
--	409631	Manuel	du propriétaire (anglais)
--	409632	Manuel	du propriétaire (français)

WHEELS AND TIRES



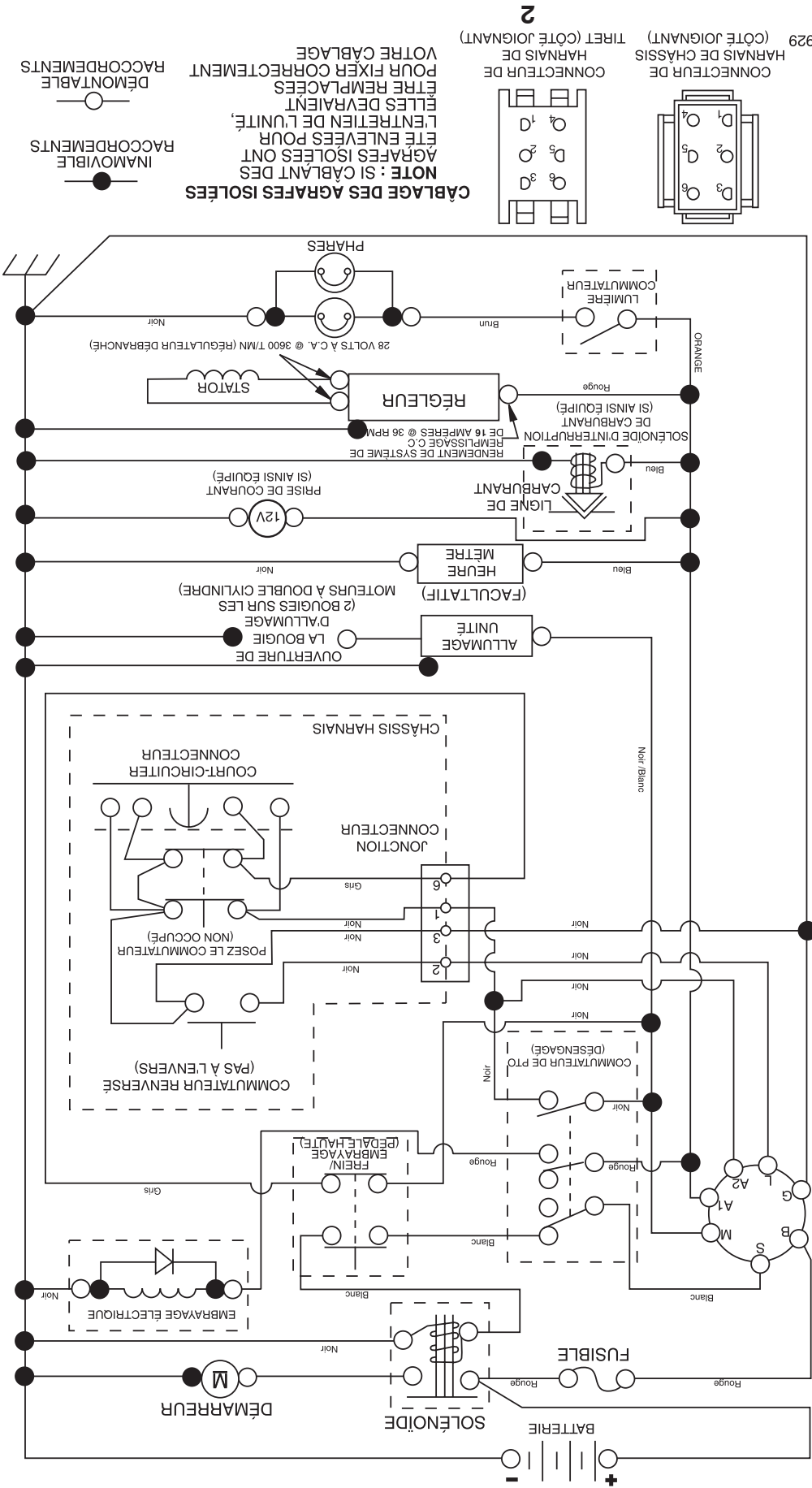
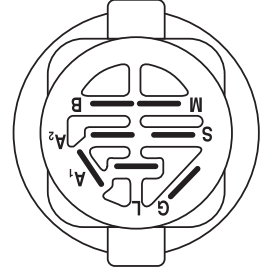
NO.	DÉ	NO	DESCRIPTION
1	59192	Capuchon	de la valve du pneu
2	65139	Tubulure	de la valve
3	106228X421	Ensemble	de la jante antérieure
4	59904	Chambre	à air antérieure (non fournie)
5	106230X	Pneu	antérieur
6	278H	Graisseur	(roue antérieure seulement)
7	9040H	Palier	à bride (roue antérieure seule-ment)
8	104757X421	Chapeau	de l'essieu
9	105588X	Pneu	arrière
10	7152J	Chambre	à air arrière (non fournie)
11	124074X421	Ensemble	de la jante arrière
--	144334	Joint	d'étanchéité de pneu (tube de .30L [10 oz. Tube])

3

REMARQUE: Toutes les dimensions de composant sont données en pouces E.-U. --1 pouce = 25,4 mm

COMMUNICATEUR D'ALLUMAGE

POSITION	CIRCUIT "FAITES"
OUTRE DE	M+G+A1
COURSE	B+A1
DÉBUT	B + S + A1



CÂBLAGE DES AGRAFES ISOLÉES

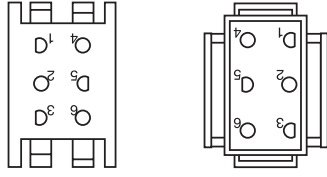
NOTE : SI CÂBLANT DES AGRAFES ISOLÉES ONT ÉTÉ ENLEVÉS POUR L'ENTRETIEN DE L'UNITÉ, ELLES DEVIENT ÊTRE REMPLACÉES POUR FIXER CORRECTEMENT VOTRE CÂBLAGE DÉMONTABLE

INAMOVIBLE RACCORDEMENTS

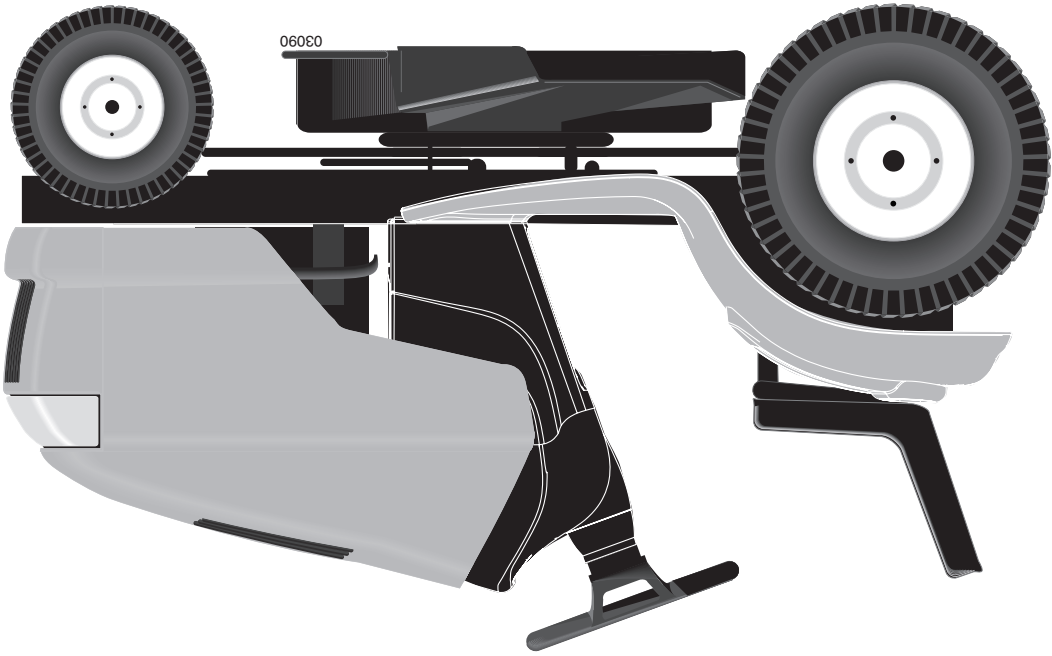
DÉMONTABLE RACCORDEMENTS

02929 (CÔTÉ JOIGNANT) HARNAIS DE CHASSIS

CONNECTEUR DE HARNAIS DE TIRET (CÔTÉ JOIGNANT)



Poulan PRO



MANUEL DE PARTIES DE RÉPARATION

MODÈLE:

PBGT26H54
TRACTEUR DE JARDIN

Portez toujours des lunettes de sécurité lors de l'utilisation.

Visitez notre site web: www.poulan-pro.com

Lisez soigneusement le manuel
suivez tous les avertissements et les
instructions de sécurité. Les blessures
sérieuses peuvent en résulter si
vous ne lisez pas ces avertissements
et instructions de sécurité.

AVERTISSEMENT:

