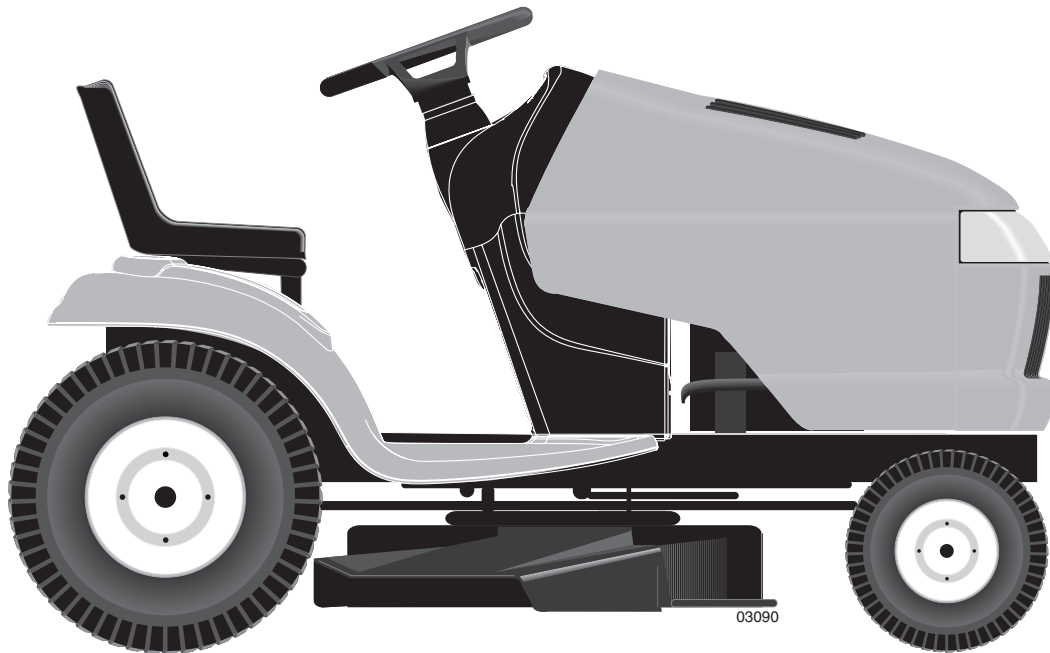


**IMPORTANT MANUAL**

**Do Not Throw Away**

# **Poulan PRO**



**REPAIR PARTS MANUAL**

**MODEL:**

**PBGT26H54**

**GARDEN TRACTOR**

**ALWAYS WEAR EYE PROTECTION DURING OPERATION**

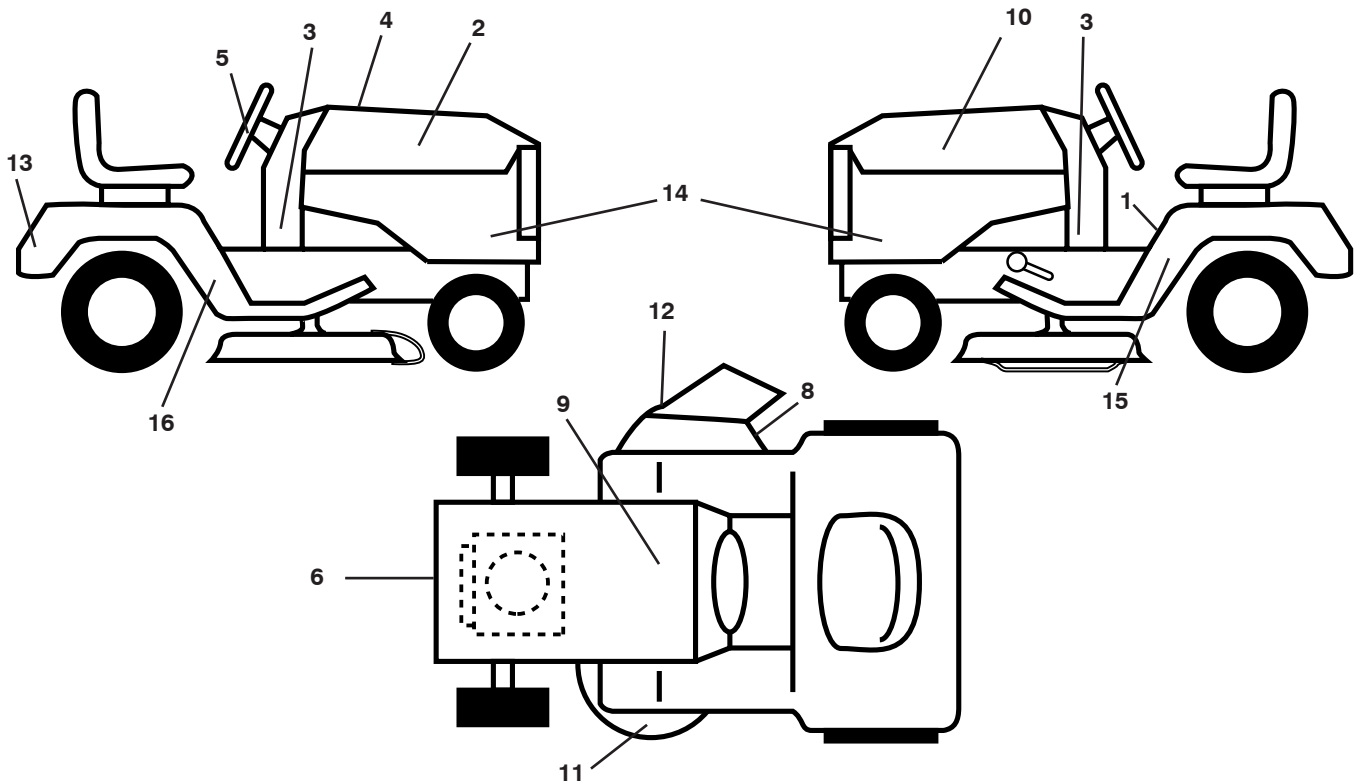
**Visit our website: [www.poulan-pro.com](http://www.poulan-pro.com)**



**WARNING:**

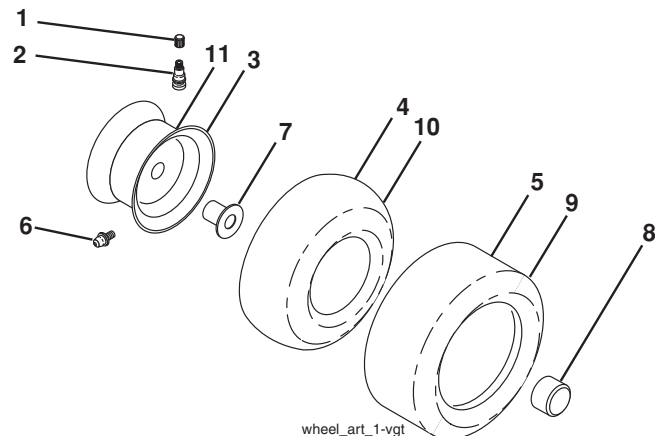
Read this Manual and follow all Warnings and Safety Instructions. Failure to do so can result in serious injury.

**TRACTOR - - MODEL NUMBER PBGT26H54 (96042004002), PRODUCT NO. 960 42 00-40  
DECALS**



KEY NO.	PART NO.	DESCRIPTION	KEY NO.	PART NO.	DESCRIPTION
1	411658	Decal, Operator's	12	170563	Decal, Mower Warning Keep Hand Away
2	402355	Decal, Hood RH	13	172740	Decal, Fender
3	402525	Decal, Dash Lower	14	408796	Decal, Panel SD
4	411140	Decal, Replacement	15	408948	Decal, Fender SD LH
5	172743	Decal, Strg Whl	16	408949	Decal, Fender SD RH
6	408843	Decal, Engine HP	--	166960	Decal, Bypass
8	198785	Decal, Mower Sch.	--	193279X428	Pad, Footrest, LH
9	145005	Decal, Battery Dnge/Poi	--	193101X428	Pad, Footrest, RH
10	402357	Decal, Hood LH	--	409631	Manual, Operator's (Eng & French)
11	178502	Decal, Mower Caution	--	417307	Manual, Parts

**WHEELS AND TIRES**

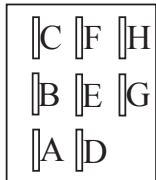
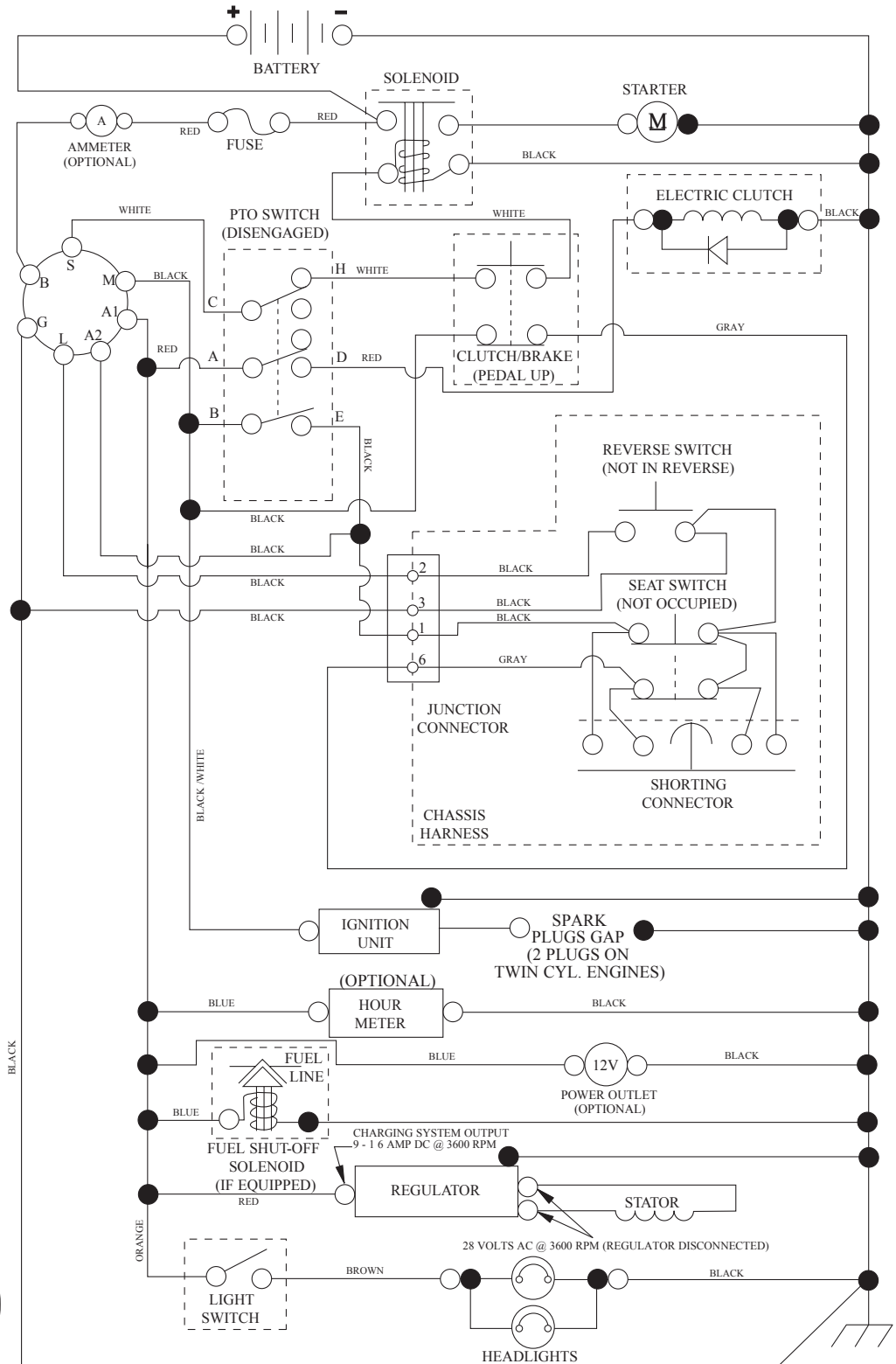


KEY NO.	PART NO.	DESCRIPTION
1	59192	Cap, Valve, Tire
2	65139	Stem, Valve
3	106228X421	Rim Assembly, Front
4	8134H	Tube, Front (Service Item Only)
5	106230X	Tire, Front
6	278H	Fitting, Grease (Front Wheel Only)
7	9040H	Bearing, Flange (Front Wheel Only)
8	104757X421	Cap, Axle (Front Wheel Only)
9	105588X	Tire, Rear
10	7154J	Tube, Rear (Service Item Only)
11	124074X421	Rim Assembly, Rear
--	144334	Sealant, Tire (10 oz. Tube)

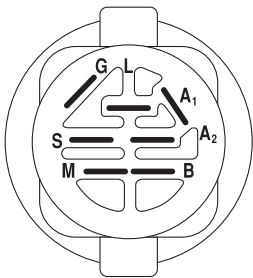
**NOTE:** All component dimensions given in U.S. inches  
1 inch = 25.4 mm

# TRACTOR - - MODEL NUMBER PBGT26H54 (96042004002), PRODUCT NO. 960 42 00-40 SCHEMATIC

SCH12



PTO SWITCH  
(MATING SIDE)

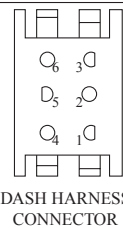


IGNITION SWITCH

POSITION	CIRCUIT	"MAKE"
OFF	M+G+A1	
RUN/OVERRIDE	B+A1	
RUN	B+A1	L+A2
START	B + S + A1	



CHASSIS HARNESS  
CONNECTOR  
(MATING SIDE)



DASH HARNESS  
CONNECTOR

WIRING INSULATED CLIPS  
NOTE: IF WIRING INSULATED  
CLIPS WERE REMOVED FOR  
SERVICING OF UNIT, THEY  
SHOULD BE RE-INSTALLED TO  
PROPERLY SECURE YOUR  
WIRING.

●  
NON-REMOVABLE  
CONNECTIONS

○  
REMOVABLE  
CONNECTIONS

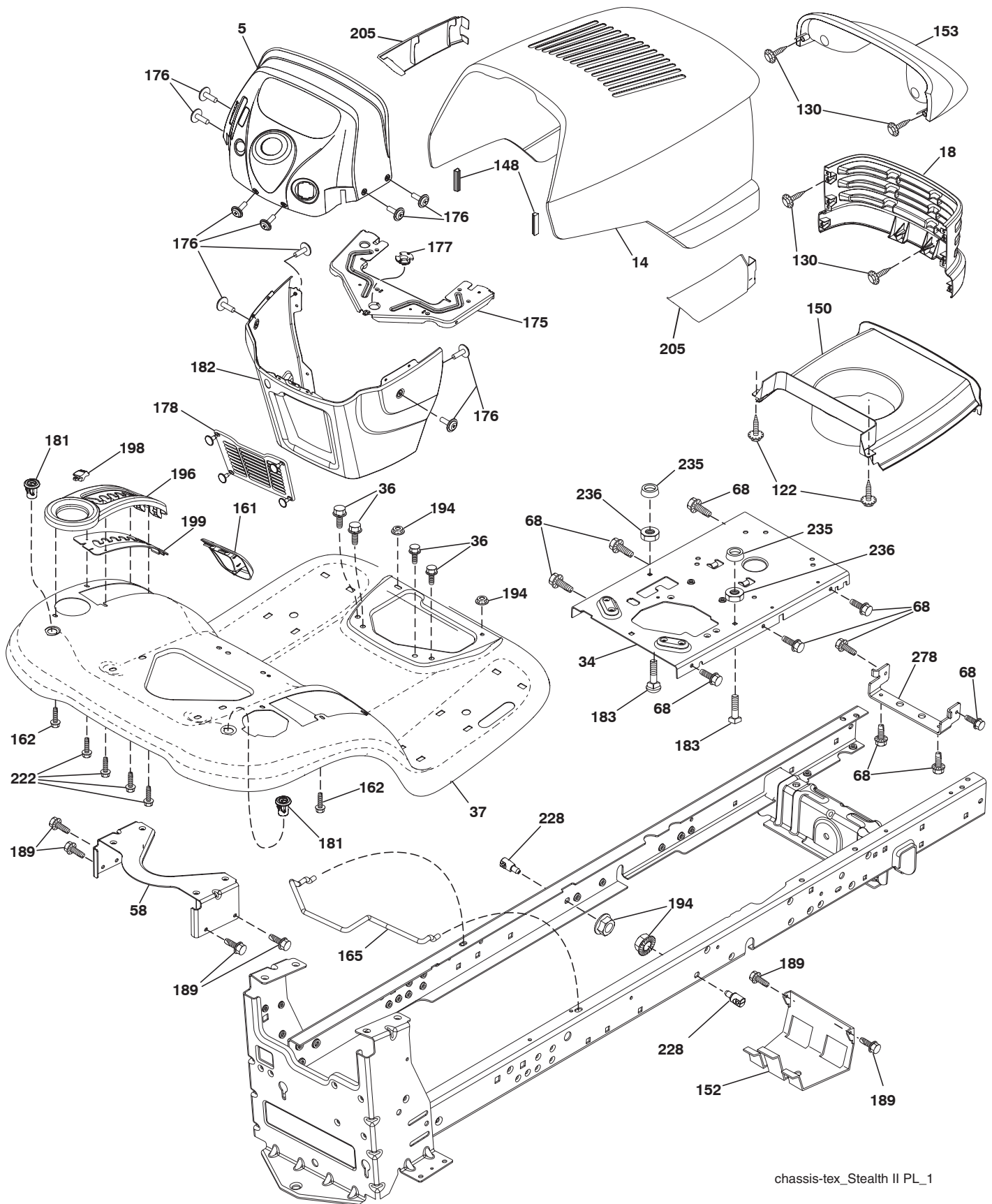


**TRACTOR - - MODEL NUMBER PBGT26H54 (96042004002), PRODUCT NO. 960 42 00-40  
ELECTRICAL**

<b>KEY NO.</b>	<b>PART NO.</b>	<b>DESCRIPTION</b>
1	144927	Battery
2	74760412	Bolt Hex Head 1/4-20 x 3/4
8	186491	Box Battery
16	176138	Switch Interlock Push-In
21	175688	Harness Socket Light W/4152J
22	4152J	Bulb Light
24	400253	Cable Battery
25	198893	Cable Start Red 17.5"
26	175158	Fuse
27	73510400	Nut Keps Hex 1/4-20 unc
28	145491	Cable, Ground
29	401545	Switch, Seat
30	193350	Switch, Ignition
33	<b>411935</b>	Key/Chain
34	110712X	Switch Light / Reset
40	401104	Harness Ign. Dash
41	17720408	Screw Thd Cut 1/4-20 x 1/2
42	131563	Cover, Terminal
43	192507	Solenoid
46	401763	Gauge Hourmeter
50	174653	Switch, PTO
55	17060512	Screw Thdrol 5/16-18 x 3/4 TYTT
59	400303	Outlet 12-Volt
71	194276	Harness Ignition, Chassis
79	175242	Bulbholder Asm. Incan Descent
90	400724	Cover Terminal Battery
91	190270	Strap Battery Mount Front
99	17670412	Screw Hexwsh Thdrol 1/4-20 x 3/4
100	19091416	Washer 9/32 x 7/8 x 16 Ga.
101	198317	Pigtail MATNLK
102	404454	Harness Pigtail K46
103	407962	Harness Pigtail 12V Outlet

**NOTE:** All component dimensions given in U.S. inches  
1 inch = 25.4 mm

**TRACTOR - - MODEL NUMBER PBGT26H54 (96042004002), PRODUCT NO. 960 42 00-40  
CHASSIS**



chassis-tex\_Stealth II PL\_1

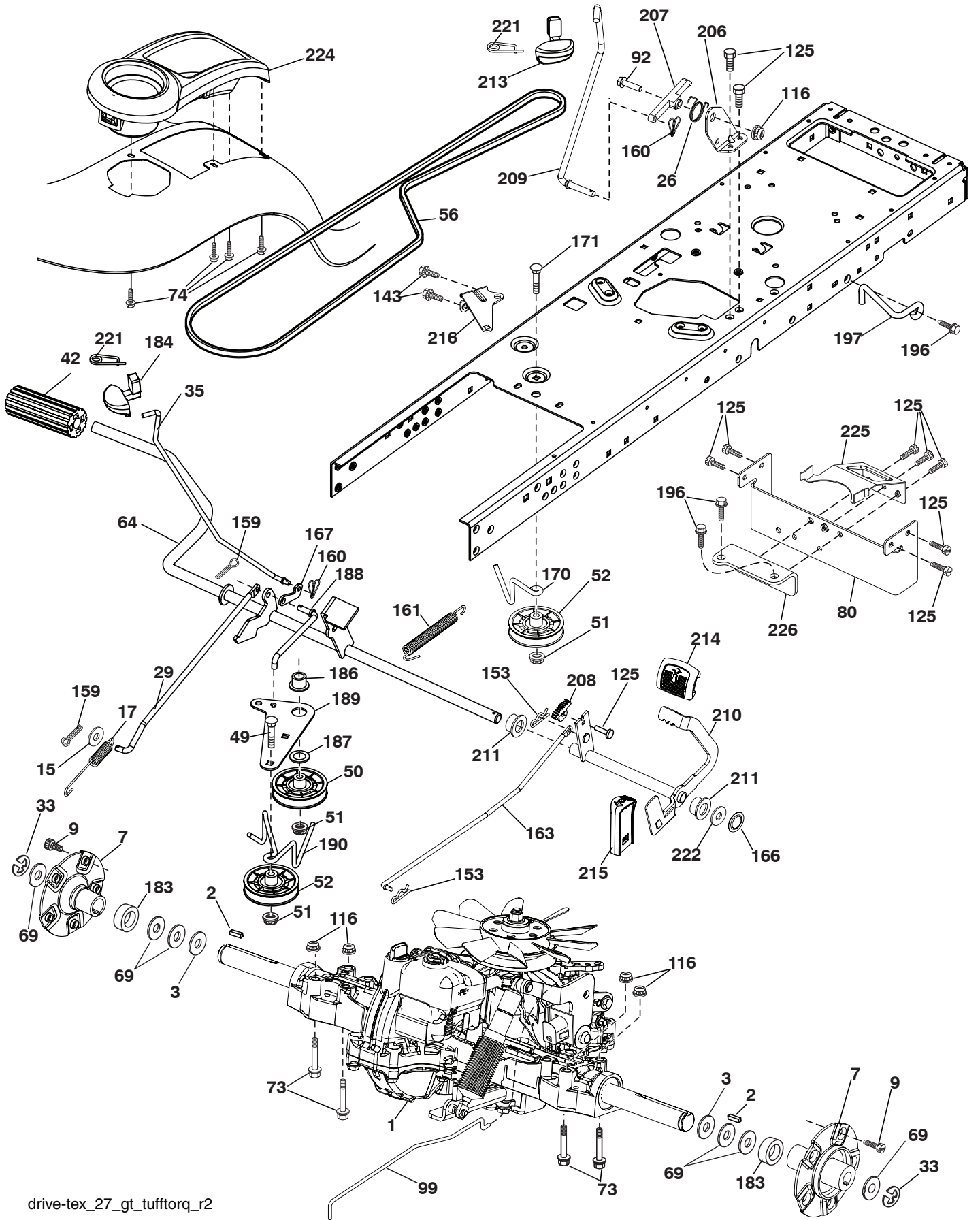
**TRACTOR - - MODEL NUMBER PBGT26H54 (96042004002), PRODUCT NO. 960 42 00-40  
CHASSIS**

<b>KEY NO.</b>	<b>PART NO.</b>	<b>DESCRIPTION</b>
5	195102X428	Dash
14	175260X428	Hood
18	175289X428	Grille
34	<b>196125</b>	Plate Engine
36	17060512	Screw 5/16-18 x 3/4
37	400009X428	Fender
58	194314	Bracket Fender
68	17490508	Screw Thdrol 5/16-18 x 1/2
122	192512	Screw WSHD Hex 10-32 x 5/8
130	191611	Screw 10 x 3/4 Single Lead-Hex
139	<b>196539</b>	Bolt Shoulder
148	164655	Bumper
150	175351	Duct Heat Hood
152	<b>199535</b>	Shield Browning/Debris
153	161840	Lens Bar
161	193097X428	Console Fuel Window
162	142432	Screw Hex Wsh Hi-Lo 1/4 x 1/2
165	<b>196826</b>	Bracket Support Tank
175	193236	Crossmember
176	400776	Screw #10-24 x 5/8 Rnd Qudrx
177	195227	Bushing Steering
178	195651	Cargo Asm. Net
180	<b>195477</b>	Chassis
181	193102X428	Bushing Mtg. Fender Crgo.
182	192551	Dash Lower
183	74780520	Bolt Fin Hex 5/16-18 UNC x 1-1/4
189	17000512	Screw 5/16-18 x 3/4
194	73900500	Nut Lock Hex Flange 5/16-18
196	193098X428	Console Asm. Deck Lift
198	197300X505	Indicator Deck Lift
199	196377	Plate Deck Lift
205	169847X428	Skirt Hood RH
206	169848X428	Skirt Hood LH
222	137729	Screw Thd Roll 1/4-20 x 5/8
228	<b>195161</b>	Stud Fastener
235	406129	Spacer Fender
236	<b>73930500</b>	Nut Center Lock 5/16-18 UNC
278	<b>196394</b>	Bracket Pickoff Hood

**NOTE:** All component dimensions given in U.S. inches  
1 inch = 25.4 mm



TRACTOR -- MODEL NUMBER PBGT26H54 (96042004002), PRODUCT NO. 960 42 00-40  
DRIVE



drive-tex\_27\_gt\_tufftorq\_r2

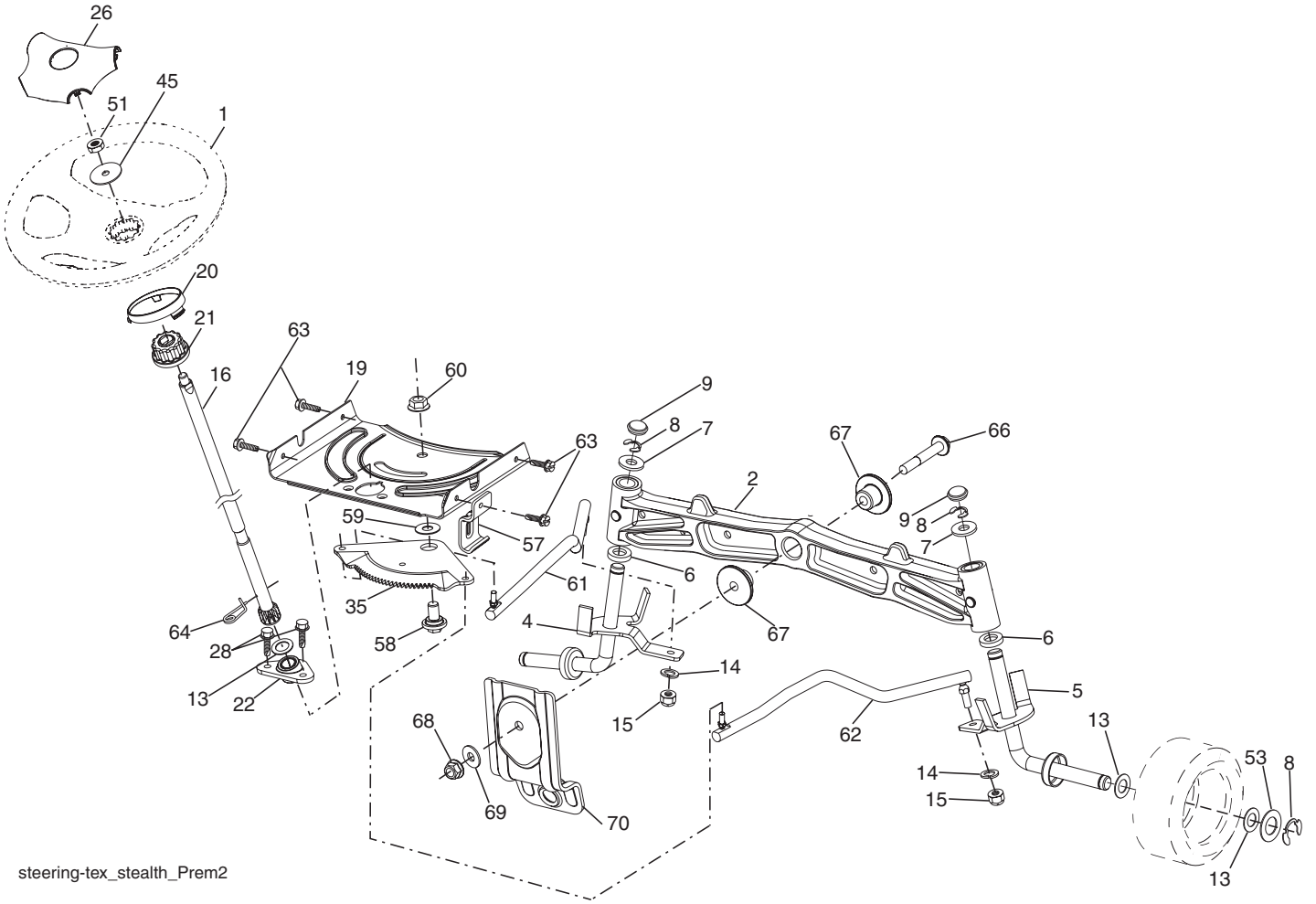


**TRACTOR - - MODEL NUMBER PBGT26H54 (96042004002), PRODUCT NO. 960 42 00-40 DRIVE**

KEY NO.	PART NO.	DESCRIPTION	KEY NO.	PART NO.	DESCRIPTION
1	-----	Transaxle, TuffTorq K66	167	405257	Latch Brake Parking
2	7070E	Key	170	194322	Keeper Belt Centerspan
3	7563R	Hardened Washer	171	72110616	Bolt
7	199837	Hub Asm. Wheel	183	197357	Spacer Axle
9	140080	Bolt Hub Wheel	184	<b>195361X505</b>	Handle Parking Brake
15	19131316	Washer 13/32 x 13/16 x 16 Ga.	185	72110620	Bolt
17	401072	Spring, Brake	186	194321	Spacer Retainer
26	199679	Spring Return Cruise	187	19133210	Washer
29	407245	Rod, Brake	188	194323	Link Clutch Ground Drive
33	12000053	Ring E	189	194317	Bellcrank Ground Drive
35	197275	Rod, Brake, Park	190	194318	Keeper Bellcrank Ground Drive
42	8883R	Cover, Foot Pedal	196	17000616	Screw 3/8-16 x 1
49	72110614	Bolt	197	199769	Bracket Clutch Anti-Rotation
50	194327	Pulley Idler Flat	206	197867	Bracket Mount Latch Cruise
51	73900600	Lock Nut 3/8-16	207	197868	Latch Control Cruise
52	194326	Idler V-Groove 910" Offset	208	197869	Bolt Sector Control Cruise
56	125907X	V-Belt, Drive	209	199466	Rod Control Cruise
64	197865	Shaft Asm. Pedal Brake Control	210	197860	Rocker Asm. Pdeal Control
69	123800X	Washer 1 1/32 x 1 5/8 x 16 Ga.	211	120183X	Bearing Nylon
73	74490544	Bolt Hex Flghd 5/16-18 Gr 5	213	195352X428	Knob Control Cruise
74	142432	Screw Hx Wsh Hi-Lo 1/4 x 1/2 unc	214	197302X428	Pad Pedal Forward
80	407182	Strap Torque	215	197301X428	Pad Pedal Reverse
92	74760520	Bolt Fin Hex 5/16-18 unc x 1.25	216	<b>196131</b>	Bracket Pulley Idler
99	407247	Rod Bypass	221	<b>403187</b>	Retainer Spring Clip Handle
116	73900500	Nut Lock Hex Flange 5/16-18	222	79212010	Washer 21/32 x 1-1/4 x 10 Ga.
125	17000512	Screw 5/16-18 x 3/4	224	193099X428	Console Toolbox
143	<b>17490508</b>	Screw 5/16-18 x 1/2	225	407311	Keeper Belt Trans.
153	4497H	Retainer Spring	226	407109	Bracket Mount Torque
159	76020412	Pin Cotter 1/8 x 3/4			
160	169484	Retainer Clip			
161	195403	Spring, Return, Clutch			
163	407246	Rod Pedal Control			
166	197290	Nut Push .625			

**NOTE:** All component dimensions given in U.S. inches  
1 inch = 25.4 mm

**TRACTOR - - MODEL NUMBER PBGT26H54 (96042004002), PRODUCT NO. 960 42 00-40  
STEERING ASSEMBLY**



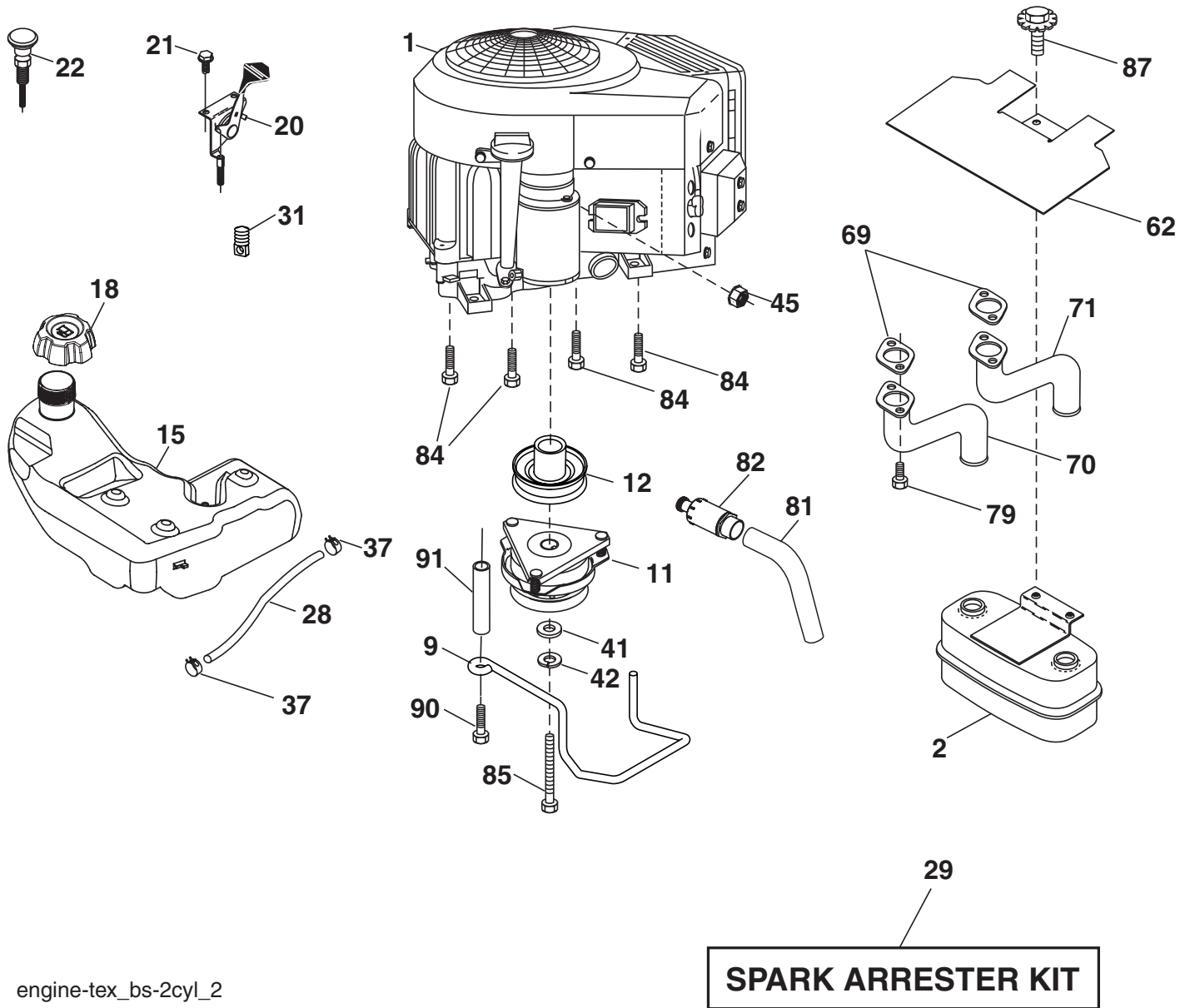
steering-tex\_stealth\_Prem2

**TRACTOR - - MODEL NUMBER PBGT26H54 (96042004002), PRODUCT NO. 960 42 00-40  
STEERING ASSEMBLY**

<b>KEY NO.</b>	<b>PART NO.</b>	<b>DESCRIPTION</b>
1	186093X428	Wheel, Steering
2	195968	Axle Asm., Front
4	403089	Spindle Asm., LH
5	403090	Spindle Asm., RH
6	6266H	Bearing, Race Thrust Harden
7	121748X	Washer 25/32 x 1-5/8 x 16 Ga.
8	12000029	Ring, Klip #T5304-75
9	121232X	Cap, Spindle
13	121749X	Washer 25/32 x 1-1/4 x 16 Ga.
14	10040600	Washer, Lock Hvy Hlcl Spr 3/8
15	73540600	Nut, Crown Lock 3/8-24 unf
16	408219	Shaft Steering
19	194729	Plate Steering
20	195626X428	Boot, Steering
21	186737	Adapter, Wheel Steering
22	194845	Bushing, Strg. Blk
26	186095X428	Insert, Wheel Steering
28	17000612	Screw 3/8-16 x 3/4
35	194732	Gear, Sector Plate
45	19183812	Washer 9/16 x 2-3/8 x 12 Ga.
51	73940800	Nut Hex Jam Toplock 1/2-20 unf
53	188967	Washer Hardened .793 x 1.637 x .060
57	197246	Bracket Upstop
58	194747	Bolt Shoulder Sector Pivot CFM
59	194748	Washer Thrust Sector Steering
60	73971000	Nut Flange Lock 5/8-11
61	194740	Draglink LH
62	194741	Draglink, RH
63	17000512	Screw 5/16-18 x 3/4
64	199849	Retainer Clip Spring Steering
66	71020748	Bolt Hex Fghd 7/16-14 x 3 Serr
67	194737	Bushing PM Front Axle
68	73900700	Nut Lock Flange 7/16-14 Gr. 5
69	199162	Washer 1.5 x .505 x .118
70	196197	Bracket Deck Susp. Front

**NOTE:** All component dimensions given in U.S. inches  
1 inch = 25.4 mm

TRACTOR - - MODEL NUMBER PBGT26H54 (96042004002), PRODUCT NO. 960 42 00-40  
ENGINE



engine-tex\_bs-2cyl\_2

**TRACTOR - - MODEL NUMBER PBGT26H54 (96042004002), PRODUCT NO. 960 42 00-40  
ENGINE**

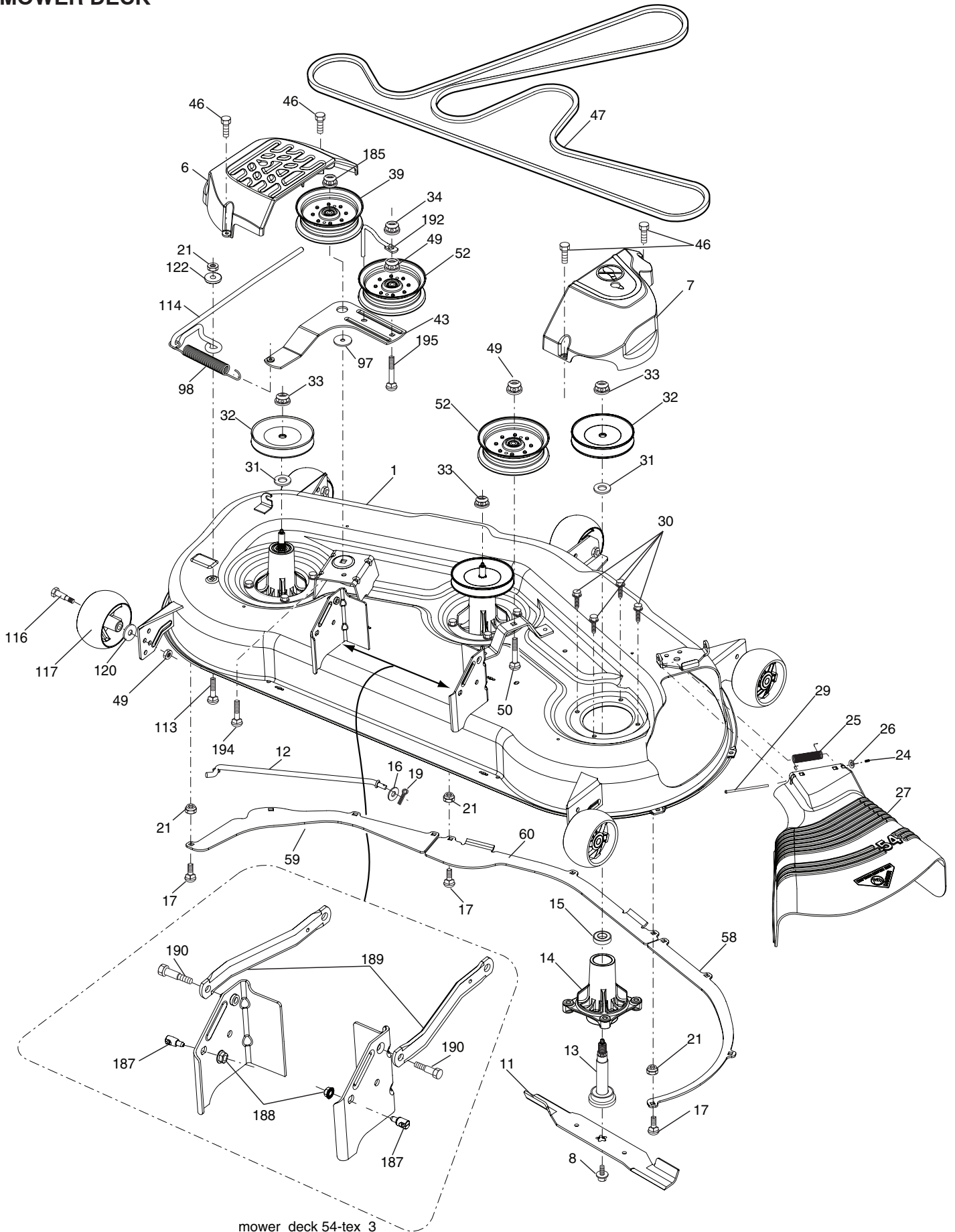
<b>KEY NO.</b>	<b>PART NO.</b>	<b>DESCRIPTION</b>
1	-----	Engine B&S Model No. 445877-0760-E1
2	149723	Muffler
9	194320	Keeper Belt Engine
11	179335	Clutch Electric
12	194343	Pulley Engine
15	193499	Tank Fuel 4.0
18	195951	Cap Asm
20	175437X428	Control Throttle
21	191611	Screw 10 x 3/4 Single Lead-Hex
22	187767X428	Control Choke
28	401135	Fuel Line
29	137180	Spark Arrester Kit
31	145006	Clip Push-In Hinged
37	123487X	Clamp Hose
41	126197X	Washer 1-1/2 OD x 15/32 ID x .250
42	10040700	Washer Lock 7/16
45	73510400	Nut Keps Hex 1/4-20 unc
62	146629	Shield Heat Muffler
69	165391	Gasket
70	159955	Tube Exhaust LH
71	160589	Tube Exhaust RH
79	183906	Screw Socket Head
81	148456	Tube Drain Oil Easy
82	181654	Plug Drain Oil
84	17060620	Screw 3/8-16 x 1-1/4
85	179953	Bolt Hex 7/16-20 x 3.75 Gr. 5
87	198239	Bolt 5/16-18 unc x 1 w/Sems
90	17000616	Screw 3/8-16 x 1
91	<b>187495</b>	Bushing 1.375 OD

**NOTE:** All component dimensions given in U.S. inches  
1 inch = 25.4 mm

**Engine Power Rating Information**

The gross power rating for individual gas engine models is labeled in accordance with SAE (Society of Automotive Engineers) code J11940 (Small Engine Power & Torque Rating Procedure), and rating performance has been obtained and corrected in accordance with SAE J1995 (Revision 2002-5). Actual gross engine power will be lower and is affected by, among other things, ambient operating conditions and engine-to-engine variability. Given both the wide array of products on which engines are placed and the variety of environmental issues applicable to operating the equipment, the gas engine will not develop the rated gross power when used in a given piece of power equipment (actual "on-site" or net horsepower). This difference is due to a variety of factors including, but not limited to, accessories (air cleaner, exhaust, charging, cooling, carburetor, fuel pump, etc.), application limitations, ambient operating conditions (temperature, humidity, altitude), and engine-to-engine variability. Due to manufacturing and capacity limitations, Briggs & Stratton may substitute an engine of higher rated power for this Series engine.

**TRACTOR - - MODEL NUMBER PBGT26H54 (96042004002), PRODUCT NO. 960 42 00-40  
MOWER DECK**



mower\_deck 54-tex\_3

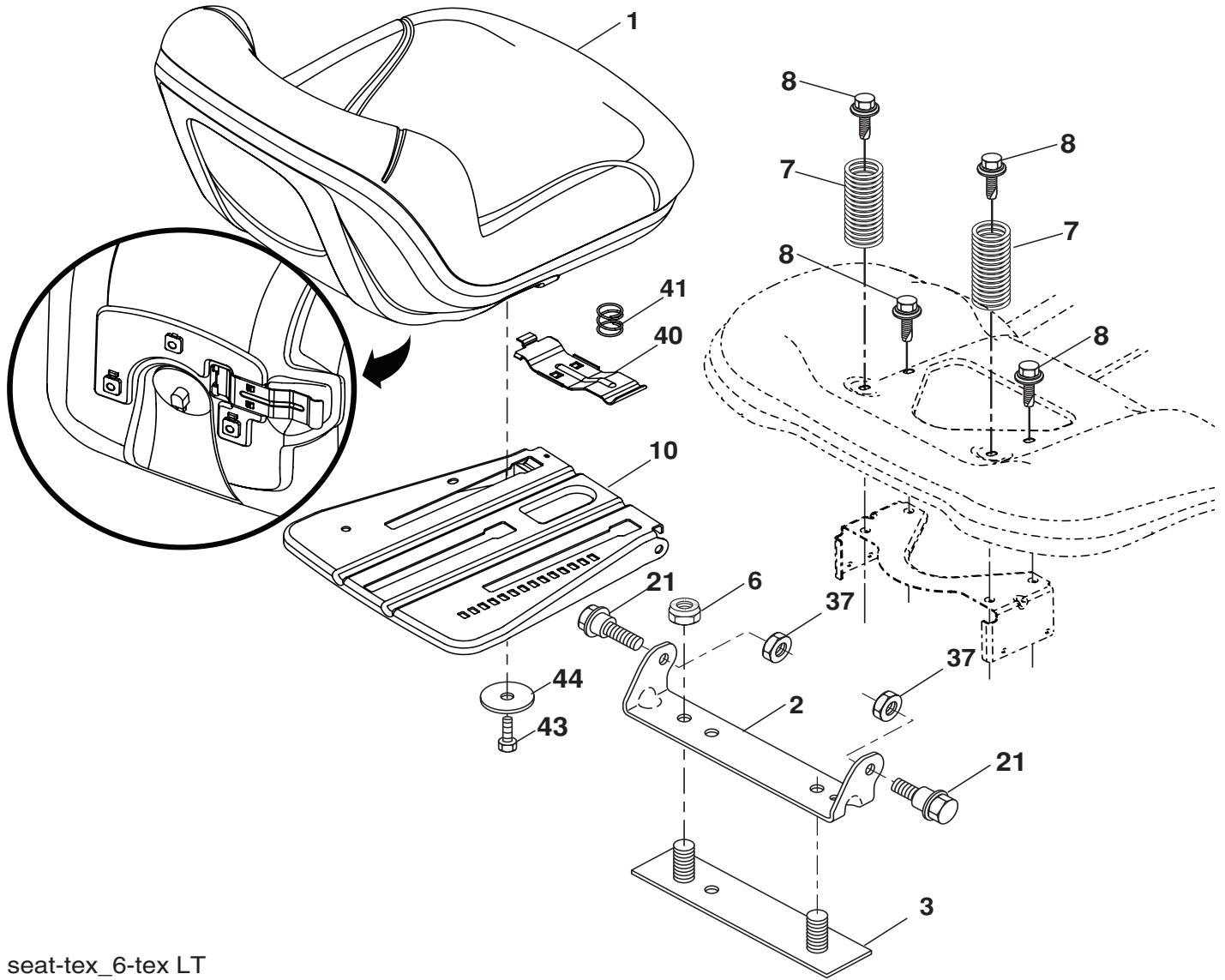
**TRACTOR - - MODEL NUMBER PBGT26H54 (96042004002), PRODUCT NO. 960 42 00-40  
MOWER DECK**

KEY NO.	PART NO.	DESCRIPTION	KEY NO.	PART NO.	DESCRIPTION
1	195632X421	Deck Weldment Mower	50	72110616	Bolt Rdhd Sqnk 3/8-16 unc x 2
6	196066	Cover Mandrel LH	52	196106	Pulley Idler Clutching
7	197181	Cover Mandrel RH	58	187342	Baffle Right
8	174365	Bolt 7/16 Asm. Blade	59	187344	Baffle Left
--	187255	Blade Mulching	60	187607	Baffle Center
--	187256	Blade Bagging	97	178515	Washer Hardened
12	400337	Rod Anti-Sway	98	196105	Spring Drive
13	187291	Shaft Asm. w/Lower Bearing	113	72110508	Bolt Rdhd Sqnk 5/16-18 x 3/4
14	187281	Housing, Mandrel	114	187556	Rod Tension Relief
15	110485X	Bearing, Ball, Mandrel	116	193406	Bolt, Shoulder
16	19131312	Washer 13/32 x 13/16 x 12 Ga.	117	174873	Gauge Wheel
17	72140505	Bolt Carr. 5/16-18 x 5/8	120	19132012	Washer 13/32 x 1-1/4 x 12 Ga.
19	194208	Pin Cotter 5/16 Bow Tie Lock	122	187557	Bushing Tension Relief
21	73680500	Nut, Crownlock 5/16-18 unc	185	73900700	Nut Lock Flange 7/16-14 Gr. 5
24	105304X	Cap Sleeve	187	195161	Stud Fastener w/"D" Anti-Rotation
25	178102	Spring, Torsion	188	73900500	Nut Lock Hex Flange 5/16-18
26	110452X	Nut, Push	189	195185	Arm Susp. Mower Rear
27	187257X428	Deflector Shield	190	196539	Bolt Shoulder
29	131491	Rod, Hinge	192	198468	Keeper Belt Idler
30	173984	Screw, Thdroll Washer Head	194	72140716	Bolt Carr Sqnk 3/8-16 x 2-1/4
31	187690	Washer, Spacer Mower Vented	195	72140620	Bolt Rdhd 3/8-16 unc x 2-3/4 Gr. 5
32	173436	Pulley, Mandrel	--	187292	Mandrel Asm. Service (Includes Key Nos. 13-15 and 33)
33	400234	Nut, Flg. Top Lock	--	197701	Replacement Mower, Complete
34	73680600	Nut Crownlock 3/8-16 unc			
39	<b>197380</b>	Pulley, Idler, Stationary			
43	196065	Arm, Idler			
46	137729	Screw, Thdroll. 1/4-20 x 5/8			
47	196103	V-Belt, Mower			
49	73900600	Nut, Lock Flg. 3/8-16 unc			

**NOTE:** All component dimensions given in U.S. inches  
1 inch = 25.4 mm



**TRACTOR - - MODEL NUMBER PBGT26H54 (96042004002), PRODUCT NO. 960 42 00-40  
SEAT ASSEMBLY**



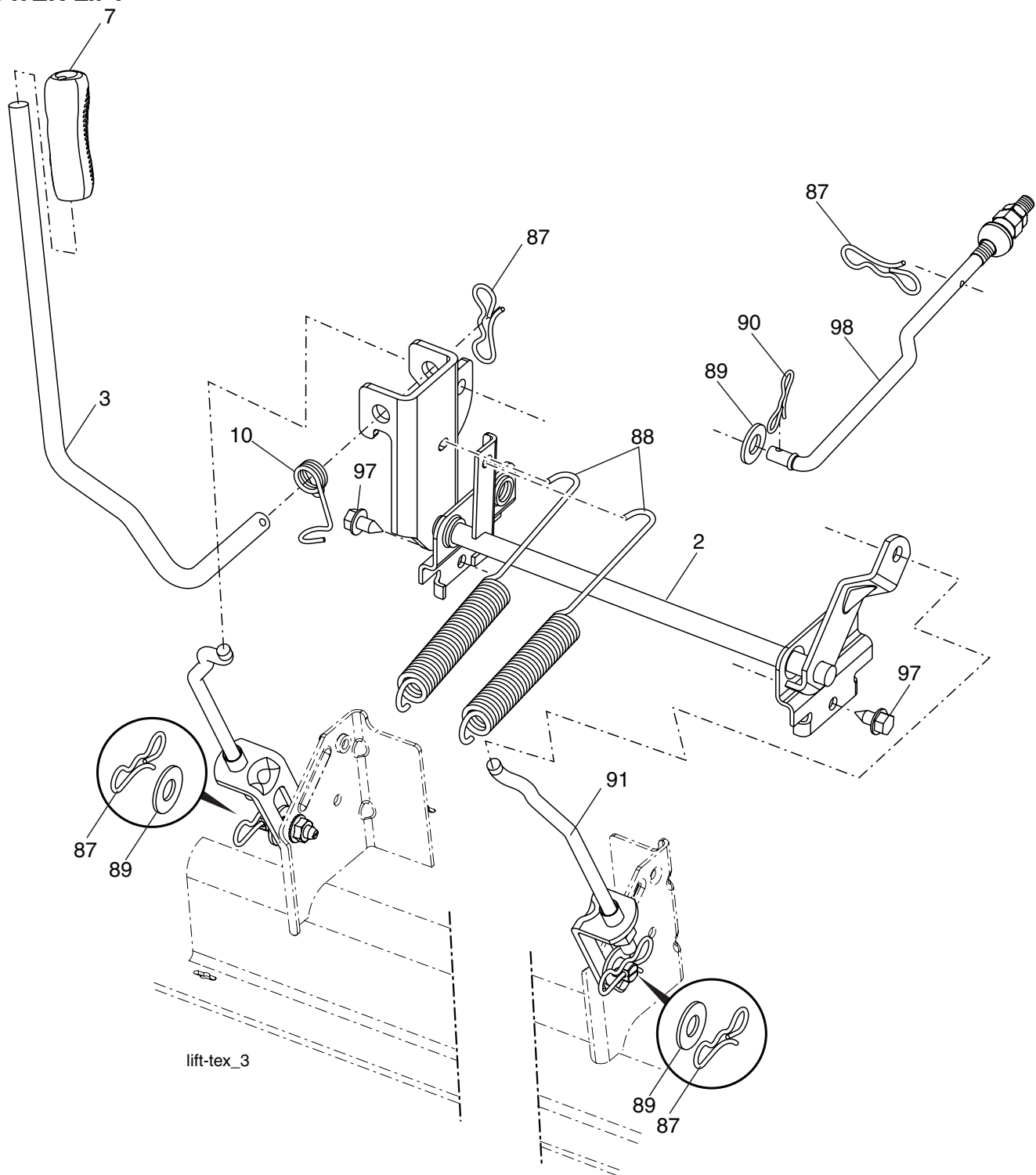
seat-tex\_6-tex LT

KEY NO.	PART NO.	DESCRIPTION
1	406623	Seat
2	180166	Bracket Pivot Fender
3	140675	Strap, Asm Fender
6	73800600	Nut, Lock W/Ins. 3/8-16 unc
7	124181X	Spring, Seat Cprsn
8	171877	Bolt 5/16-18 uncx 3/4 w/Sems
10	196977	Pan, Seat
21	171852	Bolt, Shoulder 5/16-18

KEY NO.	PART NO.	DESCRIPTION
37	73800500	Nut, Lock 5/16-18 unc
40	197661	Handle Slide Seat
41	198200	Spring Latch Seat
43	74760612	Bolt Fin Hex 3/8-16 unc x 3/4
44	19133812	Washer 13/32 x 2-3/8 x 12 Ga.

**NOTE:** All component dimensions given in U.S. inches  
1 inch = 25.4 mm

**TRACTOR - - MODEL NUMBER PBGT26H54 (96042004002), PRODUCT NO. 960 42 00-40  
MOWER LIFT**



KEY NO.	PART NO.	DESCRIPTION
2	195223	Shaft Asm., Lift
3	195230	Lever Asm., Lift Rh
7	196492X421	Grip, Lever
10	196314	Spring Torsion
87	194209	Pin Cotter 7/16 Bow Tie Lock
88	195304	Spring Lift Assist
89	19191912	Washer Clear Zinc
90	194208	Pin Cotter 5/16 Bow Tie Lock

KEY NO.	PART NO.	DESCRIPTION
91	403407	Link Lift Susp Mower Rear
97	<b>17000612</b>	Screw 3/8-16 x .75
98	195264	Link Lift Susp. Front Mower

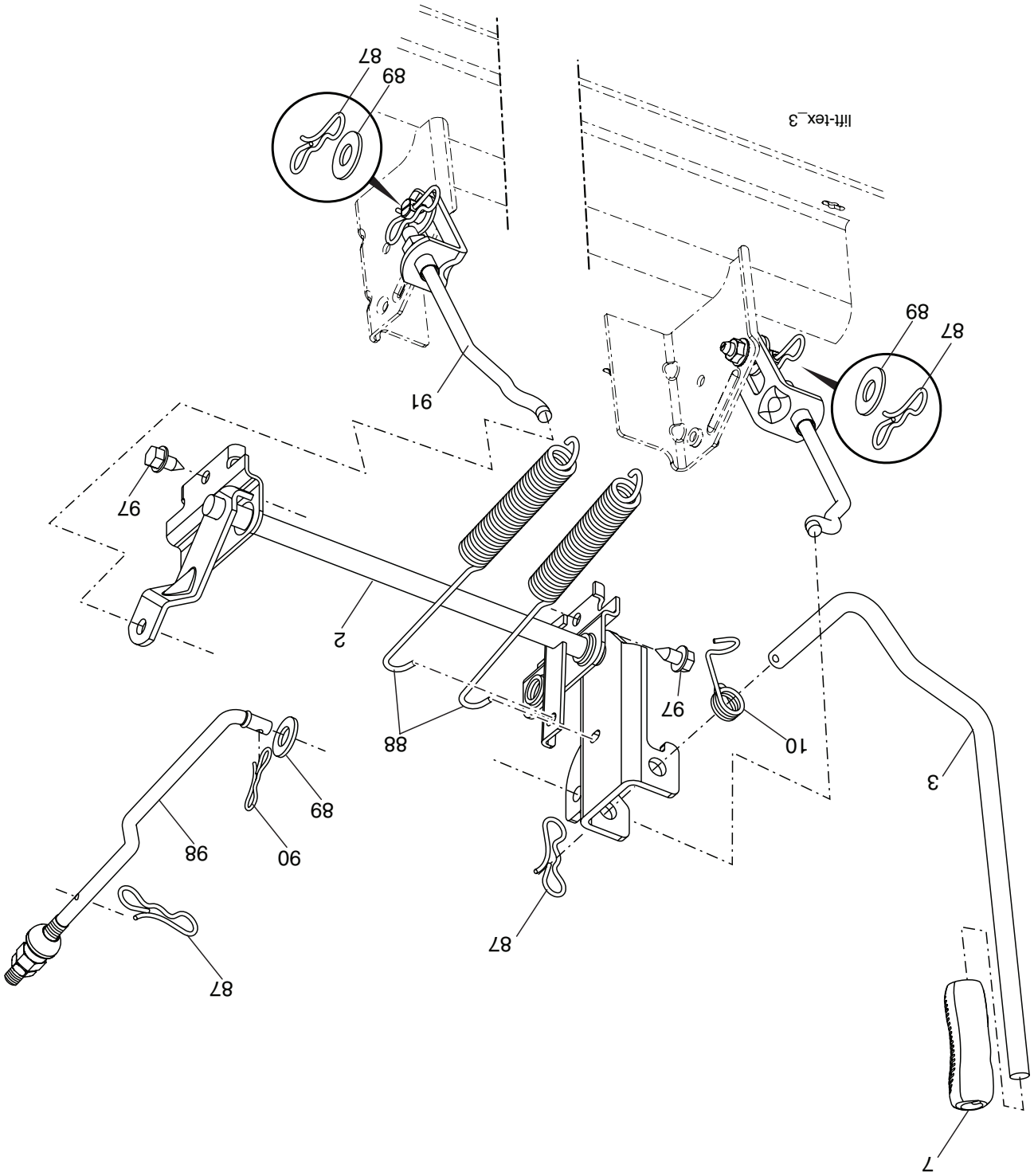
**NOTE:** All component dimensions given in U.S. inches  
1 inch = 25.4 mm

**Poulan PRO**

**Poulan PRO**

**TRACTEUR - NO. DE MODELE PBGT26H54 (96042004002), NO. DE PRODUIT 960 42 00-40**

**LEVAGE DE TONDEUSE**



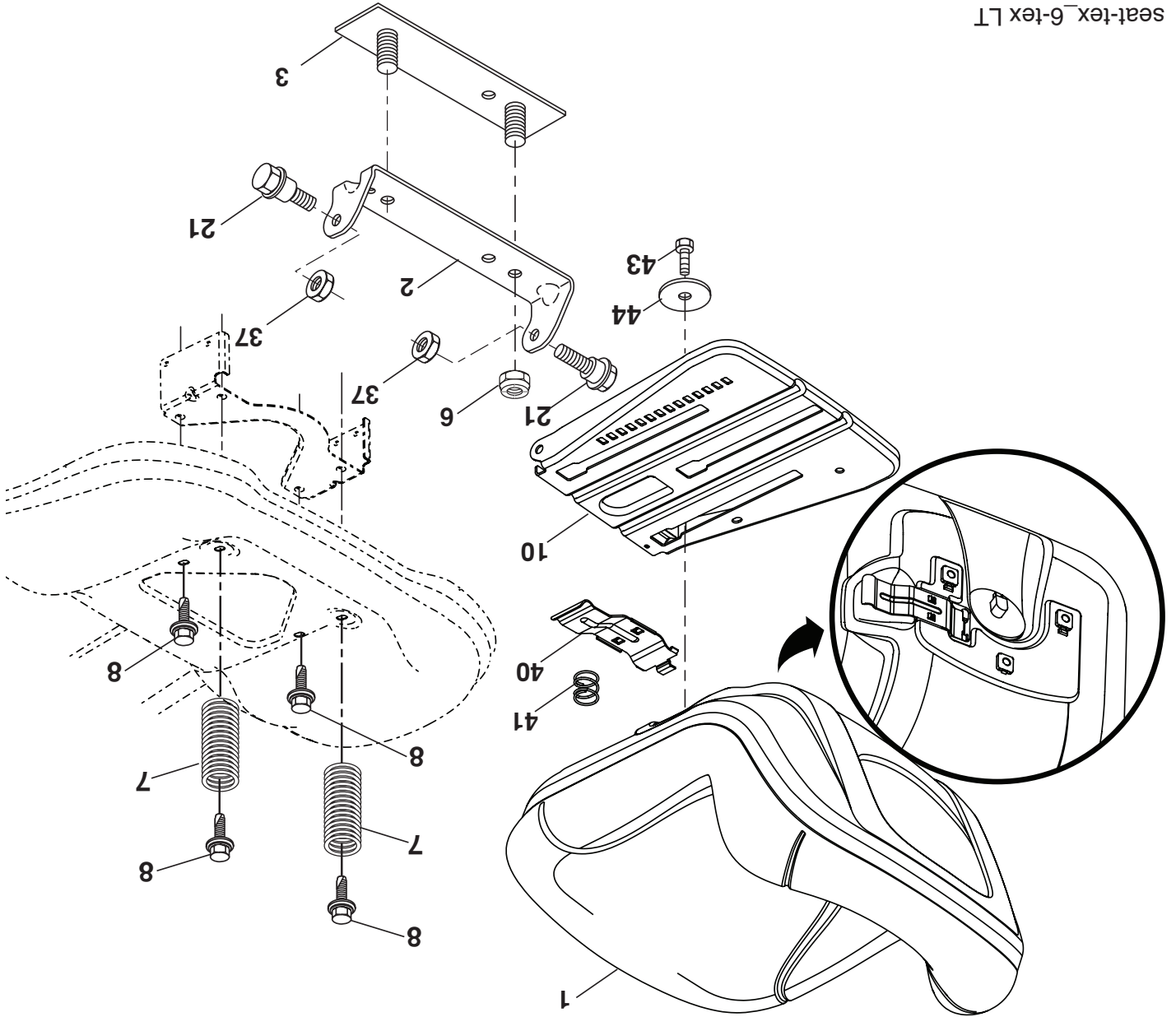
NO.	DE	PIECE	DESCRIPTION
2	195223		Ensemble de l'arbre
3	195230		Ensemble de l'arbre de levage C.D.
7	196492X421		Poignée cannelée du levier
10	196314		Ressort de Torsion
87	194209		Goupille fendue 7/16
88	195304		Ressort de retenue
89	19191912		Rondelle

NO.	DE	PIECE	DESCRIPTION
90	194208		Goupille fendue 5/16
91	403407		Raccord de levage
97	1700612		Vis 3/8-16 x .75
98	195740		Raccord de levage

NO.	DE	PIECE	DESCRIPTION
-----	----	-------	-------------

NO.	DE	PIECE	DESCRIPTION
-----	----	-------	-------------

**REMARQUE:** Toutes les dimensions de composant sont données en pouces E.-U. --1 pouce = 25,4 mm.



NO.	DÉ	PIÈCE	DESCRIPTION	NO.	DÉ	PIÈCE	DESCRIPTION
1		406623	Siège	1		198200	Ressort de compression
2		180166	Support de pivot	2		74760612	Boulon 3/8-16 x 3/4
3		140675	Attache de l'ensemble de l'aile	3		19133812	Rondelle 13/32 x 2-3/8 x 12 Ja.
6		73800600	Ecroû train H avec insert 3/8-16 unc	4		198200	Ressort de compression
7		124181X	Ressort de compression du siège	43		74760612	Boulon 3/8-16 x 3/4
8		171877	Boulon 5/16-18 uncx 3/4	44		19133812	Rondelle 13/32 x 2-3/8 x 12 Ja.
10		196977	Cuvette du siège	41		198200	Ressort de compression
21		171852	Boulon à épaulement 5/16-18	43		74760612	Boulon 3/8-16 x 3/4
37		73800600	Ecroû train 5/16-18 unc	44		19133812	Rondelle 13/32 x 2-3/8 x 12 Ja.
40		197661	Guidon	41		198200	Ressort de compression

REMARQUE: Toutes les dimensions de composant sont données en pouces E.-U. --1 pouce = 25,4 mm

**TRACTEUR - NO. DE MODELE PBGT26H54 (96042004002), NO. DE PRODUIT 960 42 00-40**

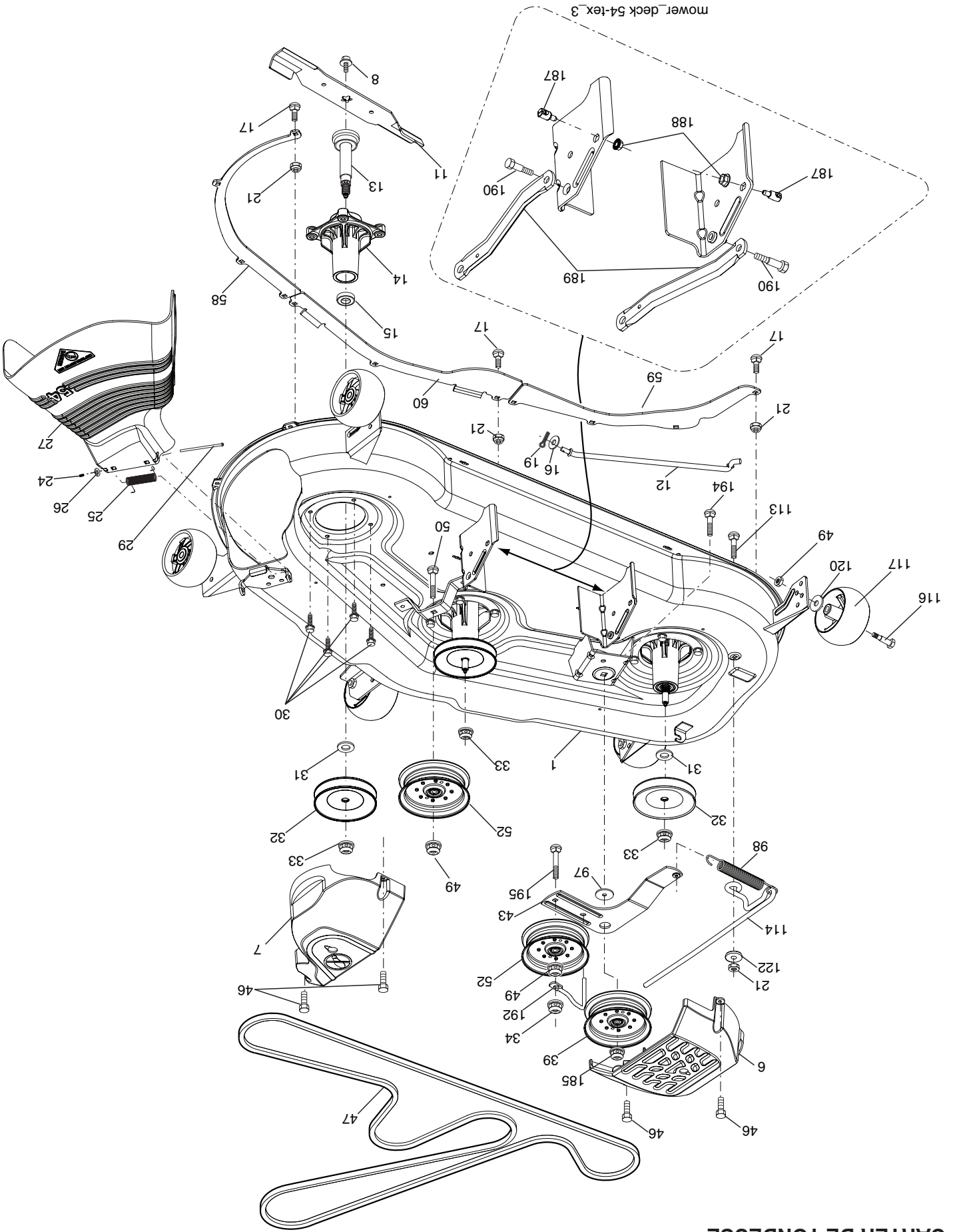
**CARTER DE TONDEUSE**

NO.	DE	PIECE	DESCRIPTION	NO.	DE	PIECE	DESCRIPTION
1		195632X421	Ensemble du carter	52		196106	Pouille du galet-tendeur
6		196066	Couvercle de mandrin C.G.	58		187342	Chicane C.D.
7		197181	Couvercle de mandrin C.D.	59		187344	Chicane C.G.
8		174365	Bouillon 7/16	60		187607	Chicane Centrale
--		187255	Lame déchiqueteuse	97		178515	Rondelle
--		187256	Lame pour bourrage	98		196105	Ressort de retenue
12		400337	Tige	113		72110508	Bouillon 5/16-18 x 3/4
13		187291	Ensemble de l'arbre	114		187556	Tige
14		187281	Carter du mandrin	116		193406	Bouillon
15		110485X	Roulement à billes	117		1874873	Support des roues
16		19131312	Rondelle 13/32 x 13/16 x 12Ga.	120		19132012	Rondelle 13/32 x 1-1/4 x 12 Ja.
17		72140505	Bouillon 5/16-18 x 5/8	122		187557	Œuille
19		194208	Goupille serrure 5/16	185		73900700	Écrou frein 7/16-14 Cat. 5
21		73680500	Écrou 5/16-18 unc	187		195161	Ténon
24		105304X	Chapeau de manchon	188		73900500	Écrou frein H
25		178102	Ressort de torsion	189		195185	Bras de suspension arrière
26		110452X	Écrou	190		196539	Bouillon
27		187257X428	Déflecteur de décharge	192		198468	Guide-courroie
29		131491	Tige de charnière	194		72140716	Bouillon 3/8-16 x 2-1/4
30		173984	Vis H	195		72140620	Bouillon 3/8-16 unc x 2-3/4 Cat. 5
31		187690	Rondelle	--		187292	Ensemble de mandrin (Y compris les nos. de réf. 13-15 et 33)
32		173436	Pouille de mandrin	--		197701	Ensemble du carter de tondeuse complet
33		400234	Écrou				
34		73680600	Écrou frein 3/8-16 unc				
39		197380	Pouille du galet-tendeur C.G.				
43		196065	Bras du galet-tendeur				
46		137729	Vis 1/4-20 x 5/8				
47		196103	Courroie d'entraînement				
49		73900600	Écrou frein 3/8-16 unc				
50		72110616	Bouillon 3/8-16 unc x 2				

**REMARQUE:** Toutes les dimensions de composant sont données en pouces E.-U. --1 pouce = 25,4 mm.



TRACTEUR - NO. DE MODÈLE PBGT26H54 (96042004002), NO. DE PRODUIT 960 42 00-40  
CARTER DE TONDEUSE



NO. DE REF.	NO. PIECE	DESCRIPTION
1	----	Moteur Briggs-No. de modèle 445877-0760-E1 (Commandez les pièces par suite du fabricant du moteur)
2	149723	Silencieux
9	194320	Courroie du moteur
11	179335	Embrayage électrique
12	194343	Poulie
15	193499	Réservoir d'essence
18	195951	Chapeau
20	175437X428	Commande des gaz
21	191611	Vis H 10 x 3/4
22	187767X428	Commande du starter
28	401135	Conduite d'essence
29	137180	Jeu de pare - étincelles
31	145006	Collier pressé
37	123487X	Bride de serrage de tuyau
41	126197X	Rondelle 1-1/2 OD x 15/32 ID x .250
42	10040700	Rondelle frein 7/16
45	73510400	Ecroû H 1/4-20 unc
62	146629	Défecteur de débris
69	165391	Garniture de silencieux
70	176067	Tube C.G.
71	160589	Tube C.D.
79	183906	Vis 5/16-18 x 1
81	148456	Tube de vidange d'huile
82	181654	Bouchon
84	17060620	Vis 3/8-16 x 1/4
85	179953	Boulon 7/16-20 x 20 x 3.75 Gr.5
87	198239	Boulon 5/16-18 unc x 1 avec sems
90	17000616	Vis 3/8-16 x 1
91	187495	Bushing 1.375 OD

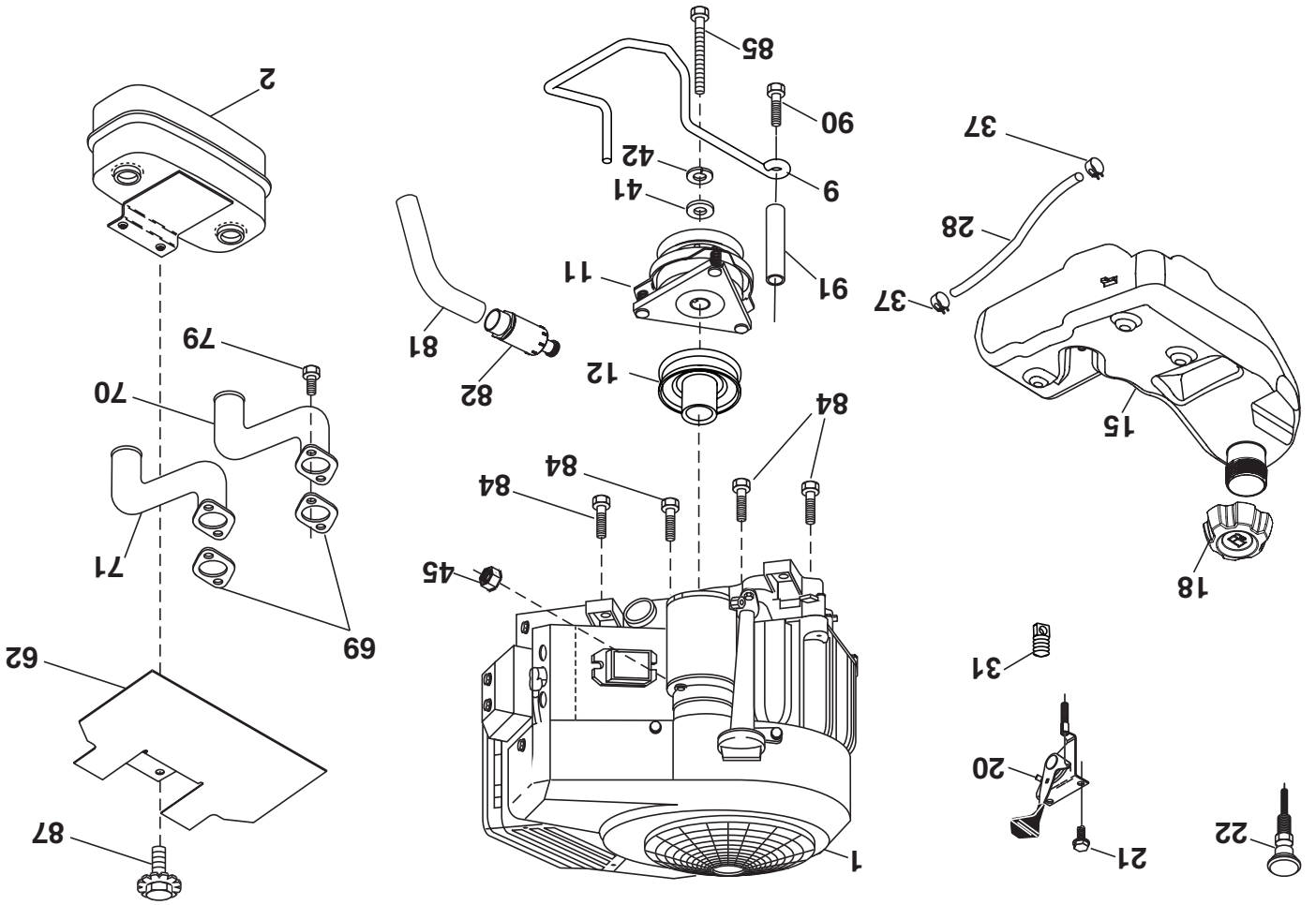
**REMARQUE:** Toutes les dimensions de composant sont données en pouces E.-U. --1 pouce = 25,4 mm

**L'information de Classement de Pouvoir de moteur**

Le pouvoir brut évaluant pour les modèles de moteur de gaz individuels est conformément étiqueté à SAE (la Société d'Ingénieurs Automoteurs) le code J1 1940 (le Petit Pouvoir de Moteur & le Moment de torsion Evaluant la Procédure), et l'exécution de classement a été obtenue et a été corrigée conformément à SAE J1 995 (la Révision 2002-5). Le véritable pouvoir de moteur brut sera plus et est affecté par, entre autres choses, les conditions d'opération ambiantes et le moteur-à-la-variabilité de moteur. Donné les deux le tableau large de produits sur lesquels moteurs est placé et la variété de problèmes écologiques applicables à l'opération de l'équipement, le moteur de gaz ne développera pas le pouvoir de grosse évalué quand utilisé dans un morceau donné d'équipement de pouvoir (la puissance véritable, « sur place » ou nette). Cette différence est en raison d'une assortiment de facteurs inclut, mais pas limité à, les accessoires (le nettoyeur d'air, l'échappement, char-ger, le refroidissement, le carburateur, la pompe de carburant, etc.), les limitations d'application, les conditions d'opération ambiantes (la température, l'humidité, l'altitude), et le moteur-à-la-variabilité de moteur. En raison des limitations de fabrication et capacité, Briggs & Stratton peut substituer un moteur de plus haut pouvoir évalué pour ce moteur de Feuilleton.

EQUIPMENT FACULTATIF  
PARA-ÉTINCELLES

29

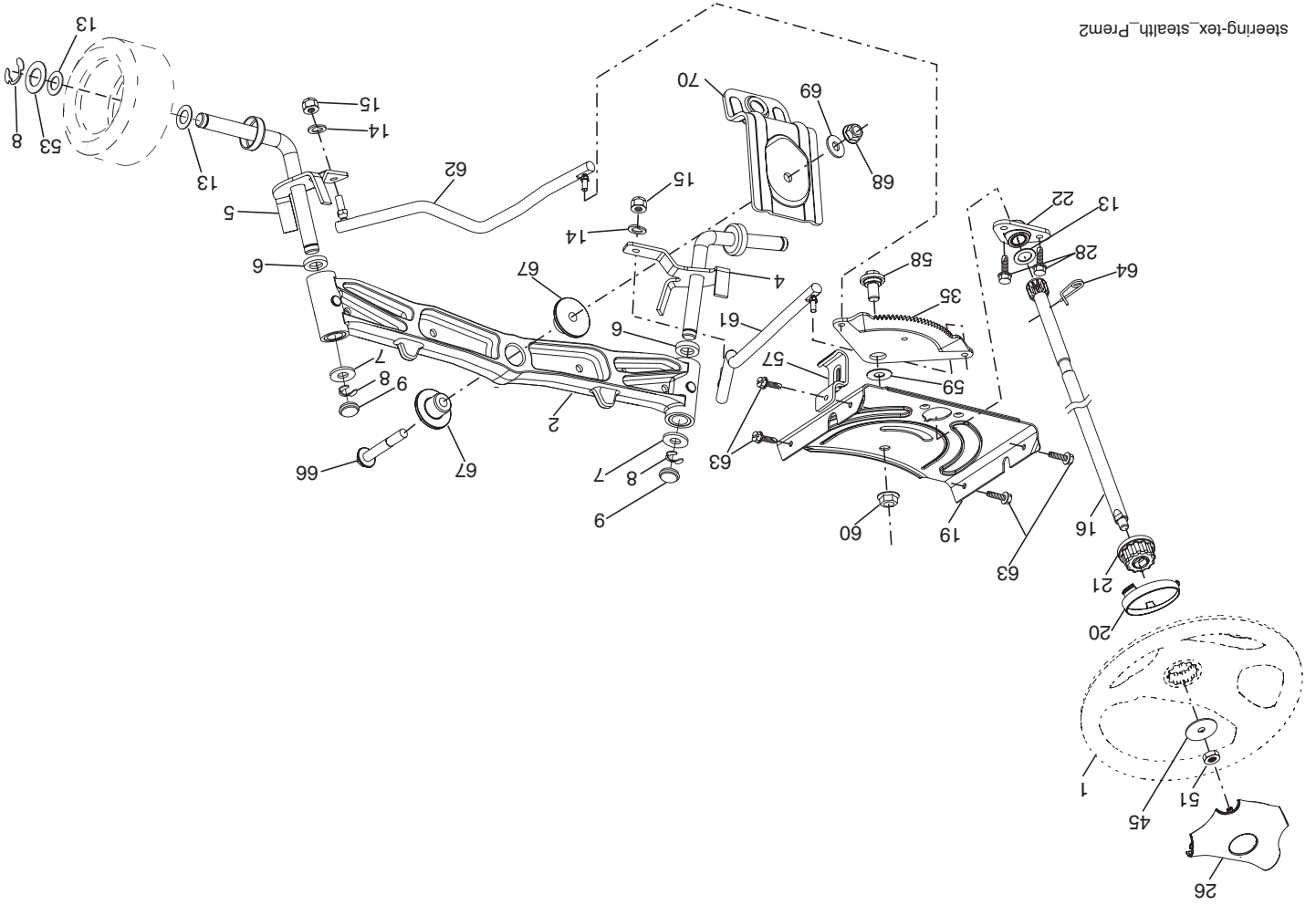


**TRACTEUR - NO. DE MODELE PBGT26H54 (96042004002), NO. DE PRODUIT 960 42 00-40**  
**ENSEMBLE DE LA DIRECTION**

NO.	DE	REF.	PIECE	DESCRIPTION
1		186093X428		Volant de direction
2		195968		Essieu
4		403089		Ensemble de la broche C.G.
5		403090		Ensemble de la broche C.D.
6		6266H		Pallier de butée durci
7		121748X		Rondelle 25/32 x 1-5/8 x 16 Ja.
8		12000029		Rondelle clip n°15304-75
9		121232X		Chapeau de broche
13		121749X		Rondelle 25/32 x 1-1/4 x 16 Ja.
14		10040600		Rondelle frein 3/8
15		73540600		Ecrou frein 3/8-24 unft
16		408219		Arbre de direction
19		194729		Arbre de plaque
20		195626X428		Initialisation de direction
21		186737		Adaptateur du volant de direction
22		194845		Douille de direction
26		186095X428		Insert de chapeau du volant de direction
28		17000612		Vis 3/8-16 x 3/4
35		194732		Secteur denté
45		19183812		Rondelle 9/16 x 2-3/8 x 12 Ja.
51		73940800		Contre-écrou 1/2-20 unft
53		188967		Rondelle .793 x 1.637 x .060
57		197246		Support
58		194747		Boulon à épualement
59		194748		Rondelle
60		73971000		Ecrou frein à collet 5/8-11
61		194740		Barre de direction C.G.
62		194741		Barre de direction C.D.
63		17000512		Vis 5/16-18 x 3/4
64		199849		Collier de retenue
66		71020748		Boulon H 7/16-14 x 3
67		194737		Douille
68		73900700		Ecrou frein à collet 7/16-14 Cat. 5
69		199162		Rondelle 1.5 x .505 x .118
70		196197		Support

**REMARQUE:** Toutes les dimensions de composant sont données en pouces E.-U. -- 1 pouce = 25,4 mm

TRACTEUR - NO. DE MODÈLE PBGT26H54 (96042004002), NO. DE PRODUIT 960 42 00-40  
ENSEMBLE DE LA DIRECTION



# TRACTEUR - NO. DE MODELE PBGT26H54 (96042004002), NO. DE PRODUIT 960 42 00-40

## ENTRAÎNEMENT

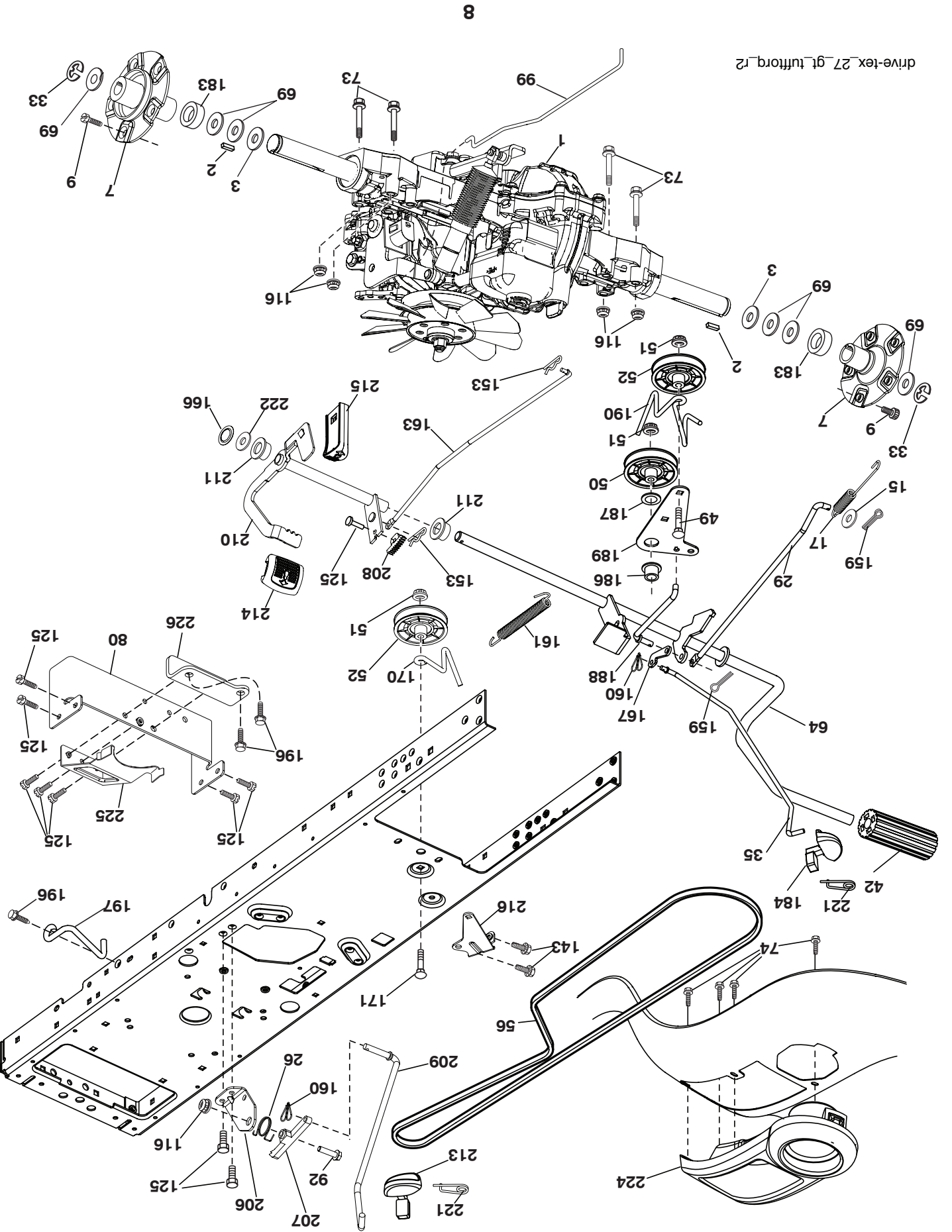
NO. DE DÉ	PIECE	DESCRIPTION	NO. DE DÉ	PIECE	DESCRIPTION
1	----	Transmission, TuffTorg K66	167	405257	Loquet
2	7070E	Ciê	170	194322	Guide-courroie
3	7563R	Rondelle endurcie	171	72110616	Boulon
7	199837	Assemblée De Moyen De Roue	183	197357	Entretôise axle
9	140080	Boulon De Moyen De Roue	184	<b>195361X505</b>	Guidon
15	19131316	Rondelle 13/32 x 13/16 x 16 Ga.	185	72110620	Boulon 3/8-16 x 2-1/2
17	401072	Ressort De Frein	186	194321	Ressort de retenue
26	199679	Ressort de rappel	187	191333210	Rondelle
29	407245	Tige du frein	188	194323	Raccord d'embrayage
33	12000053	Bague en E	189	194317	Levier coude
35	197275	Tige du frein de stationnement	190	194318	Guide
42	8883R	Couverture de la pédale	196	17000616	Vis 3/8-16 x 1
49	72110614	Boulon	197	199769	Support
50	194327	Pouille du galet-tendeur	206	197867	Support
51	73900600	EcroU frein 3/8-16	207	197868	Loquet
52	194326	Galet-tendeur	208	197869	Secteur denté
56	125907X	Courroie trapézoïdale	209	199466	Tige
64	197865	Ensemble de l'arbre	210	197860	Culbuteur
69	123800X	Rondelle 1 1/32 x 1 5/8 x 16 Ga.	211	120183X	Pallier de nylon
73	74490544	Boulon Hex Fighd 5/16-18 Gr 5	213	195352X428	Boulon
74	142432	Vis 1/4 x 1/2	214	197302X428	Pédale en avant
80	407182	Attache de torsion	215	193301X428	Pédale contraire
92	74760520	Boulon H 5/16-18 unc x 1.25	216	<b>196131</b>	Support pour le poulie
99	407247	Sauter la tringle	221	<b>403187</b>	Collier de retenue
116	73900500	EcroU frein H 5/16-18	222	79212010	Rondell 21/32 x 1-1/4 x 10 Ja.
125	17000512	Vis 5/16-18 x 3/4	224	193099X428	Console de boîte à outils
143	<b>17490508</b>	Vis	225	407311	Ceinture De Garde De Transmission
153	4497H	Ressort D'Arrêtoir	226	407109	Couple De Bâti De Parenthèse
159	76020412	Goupille fendue 1/8 x 3/4			
160	169484	Collier de retenue			
161	195403	Ressort de rappel d'embrayage			
163	407246	De commande Tringle De Pédale			
166	197290	Rondelle Frein .625			

**REMARQUE:** Toutes les dimensions de composant sont données en pouces E.-U. -- 1 pouce = 25,4 mm

NO. DE DÉ	PIECE	DESCRIPTION	NO. DE DÉ	PIECE	DESCRIPTION
167	405257	Loquet	167	405257	Loquet
170	194322	Guide-courroie	170	194322	Guide-courroie
171	72110616	Boulon	171	72110616	Boulon
183	197357	Entretôise axle	183	197357	Entretôise axle
184	<b>195361X505</b>	Guidon	184	<b>195361X505</b>	Guidon
185	72110620	Boulon 3/8-16 x 2-1/2	185	72110620	Boulon 3/8-16 x 2-1/2
186	194321	Ressort de retenue	186	194321	Ressort de retenue
187	191333210	Rondelle	187	191333210	Rondelle
188	194323	Raccord d'embrayage	188	194323	Raccord d'embrayage
189	194317	Levier coude	189	194317	Levier coude
190	194318	Guide	190	194318	Guide
196	17000616	Vis 3/8-16 x 1	196	17000616	Vis 3/8-16 x 1
197	199769	Support	197	199769	Support
206	197867	Support	206	197867	Support
207	197868	Loquet	207	197868	Loquet
208	197869	Secteur denté	208	197869	Secteur denté
209	199466	Tige	209	199466	Tige
210	197860	Culbuteur	210	197860	Culbuteur
211	120183X	Pallier de nylon	211	120183X	Pallier de nylon
213	195352X428	Boulon	213	195352X428	Boulon
214	197302X428	Pédale en avant	214	197302X428	Pédale en avant
215	193301X428	Pédale contraire	215	193301X428	Pédale contraire
216	<b>196131</b>	Support pour le poulie	216	<b>196131</b>	Support pour le poulie
221	<b>403187</b>	Collier de retenue	221	<b>403187</b>	Collier de retenue
222	79212010	Rondell 21/32 x 1-1/4 x 10 Ja.	222	79212010	Rondell 21/32 x 1-1/4 x 10 Ja.
224	193099X428	Console de boîte à outils	224	193099X428	Console de boîte à outils
225	407311	Ceinture De Garde De Transmission	225	407311	Ceinture De Garde De Transmission
226	407109	Couple De Bâti De Parenthèse	226	407109	Couple De Bâti De Parenthèse

TRACTEUR - NO. DE MODÈLE PBGT26H54 (96042004002), NO. DE PRODUIT 960 42 00-40

ENTRAÎNEMENT



drive-tex\_27\_gt\_tufftorq\_r2

8



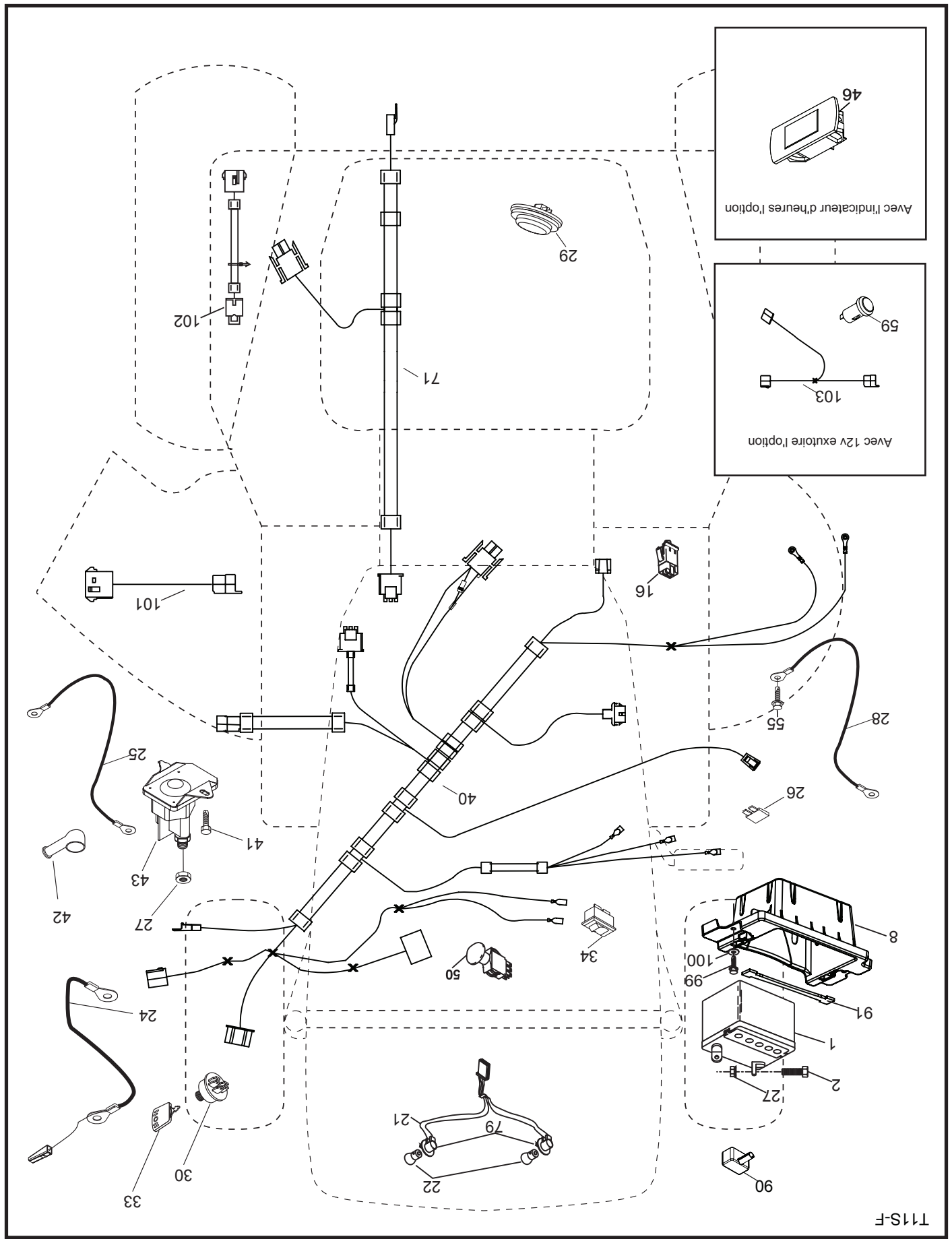
NO.	DE	REF.	DESCRIPTION
NO.	DE	PIECE	
5		195102X428	Tableau de bord
14		175260X420	Capot
18		175289X428	Calandre
34		<b>196125</b>	Plaque de la moteur
36		17060512	Screw 5/16-18 x 3/4
37		400009X428	Aile
58		194314	Support
68		17490508	Vis 5/16-18 x 1/2
122		192512	Vis 10-13 x 5/8
130		191611	Vis H 10 x 3/4
139		<b>196539</b>	Boulon
148		164655	Butoir
150		175351	Canalisation
152		<b>199535</b>	Deflecteur
153		161840	Barre D'Objectif
161		193097X428	Fenetre de combustible
162		142432	Vis H 1/4 x 1/2
165		<b>196826</b>	Soutien du support
175		193236	Piece d'entretoisement
176		400776	Vis 10-24 x 5/8
177		195227	Douille
178		195651	Couverture
180		<b>195477</b>	Chassis
181		193102X428	Douille
182		192551	Tableau de bord
183		74780520	Boulon
189		17000512	Vis 5/16-18 x 3/4
194		73900500	Ecrou frein H 5/16-18
196		193098X428	Panneau du tableau de bord
198		197300X505	Indicateur D'Ascenseur De Plate-forme
199		196377	Plaque de renforcement
205		169847X428	Jupe C.D.
206		169848X428	Jupe C.G.
222		137729	Vis 1/4-20 x 5/8
228		<b>195161</b>	Attache De Goujon
235		406129	Entretoise
236		<b>73930500</b>	Ecrou
278		<b>196394</b>	Support, Capot

**REMARQUE:** Toutes les dimensions de composant sont donnees en pouces E.-U. --1 pouce = 25,4 mm

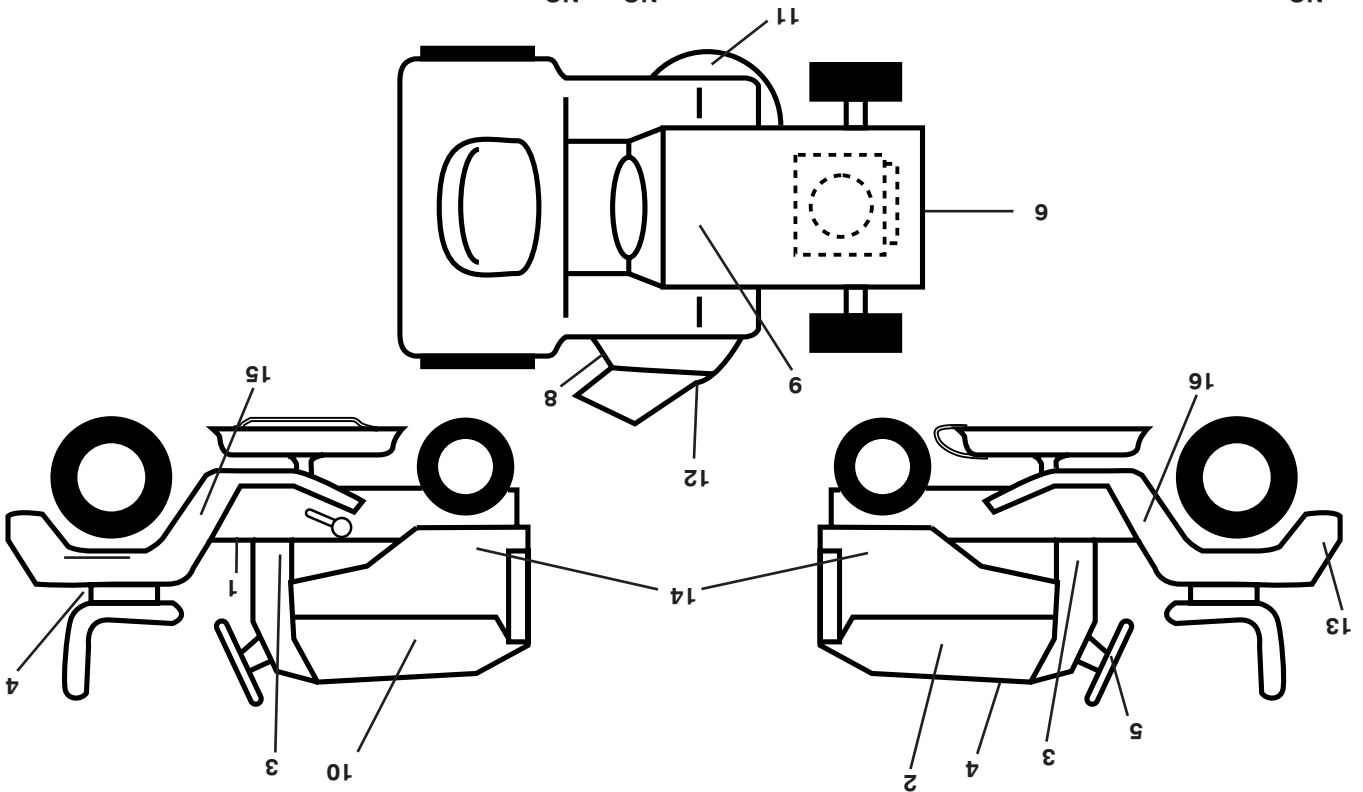


NO. DE PIECE	DESCRIPTION
1	Batterie
2	Boulon H 1/4-20 unc x 3/4
8	Bac de batterie
16	Interrupteur de verrouillage pressé
21	Harnais des prises de courant des phares W/14152J
22	Ampoule
24	Câble de batterie
25	Câble de batterie de 6 ja avec un fil de 16 po. - rouge
26	Fusible
27	Ecrou H 1/4-20 unc
28	Câble de masse de 6 ja. de 21" - noir
29	Interrupteur
30	Contacteur d'allumage
33	Clé de contact
34	L'Interrupteur des phares
40	Support
41	Vis 1/4-20 x 1/2
42	Couverture de borne
43	Solénoïde
46	Compteur horaire
50	Interrupteur
55	Vis 5/16-18 x 3/4
59	Sortie 12-volt
71	Harnais des câbles d'allumage Châssis
79	Assemblée De Bulbholder
90	Couverture
91	Attache
99	Vis H 1/4-20 x 3/4
100	Rondelle 9/32 x 7/8 x 16 Ja.
101	Natte MATNLK
102	Exploiter la natte 12V sortie
103	Exploiter la natte K46

**REMARQUE:** Toutes les dimensions de composant sont données en pouces E.-U. -- 1 pouce = 25,4 mm







NO.  
DE  
PIÈCE

1	411658	Décalcomanie d'opération
2	402355	Décalcomanie du capot avec
3	402525	Décalcomanie inférieure tableau de bord
4	411140	Décalcomanie de pièces de rechange
5	172743	Décalcomanie volant de direction
6	408843	Décalcomanie du moteur
8	198785	Décalcomanie de tondeuse
9	145005	Décalcomanie de danger/poison de la
10	402357	Décalcomanie du capot avec

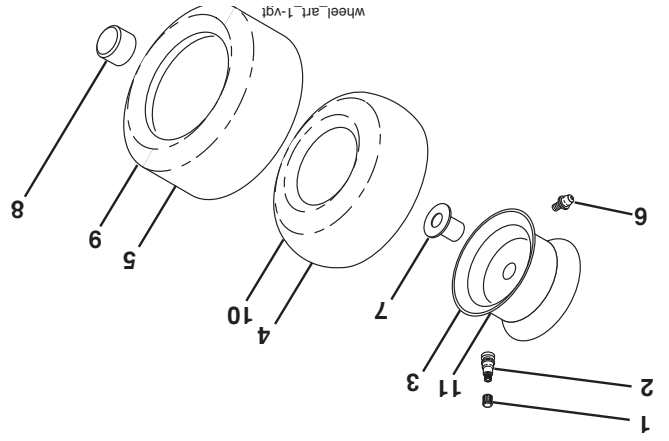
DESCRIPTION

NO.  
DE  
PIÈCE

11	178502	Décalcomanie d'attention
12	170563	Décalcomanie de tondeuse
13	172740	Décalcomanie de l'aile
14	408796	Décalcomanie du panneau latéral
15	408948	Décalcomanie Pare-chocs latéral CG
16	408949	Décalcomanie Pare-chocs latéral CD
--	166960	Décalcomanie dérivation
--	193279x428	Coussin d' repose-pied C.G.
--	193101x428	Coussin d' repose-pied C.D.
--	409631	Manuel du propriétaire (anglais)
--	417307	Manuel du propriétaire (français)

DESCRIPTION

## WHEELS AND TIRES



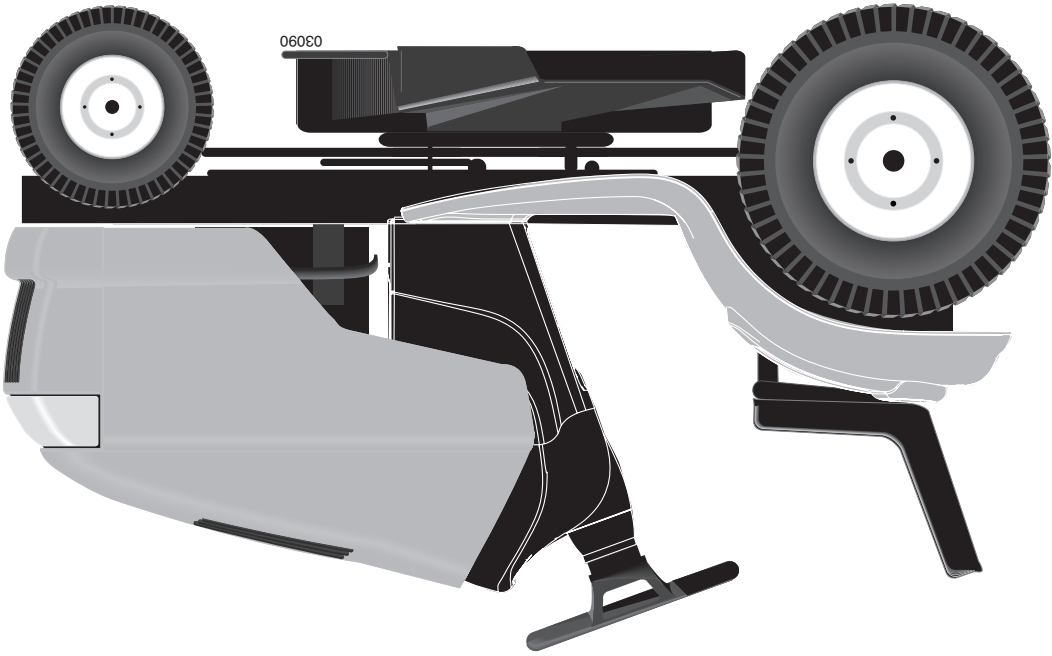
NO.  
DE  
PIÈCE

1	59192	Capuchon de la valve du pneu
2	65139	Tubulure de la valve
3	106228X421	Ensemble de la jante antérieure
4	8134H	Chambre à air antérieure (non fournie)
5	106230X	Pneu antérieur
6	278H	Graisieur (roue antérieure seulement)
7	9040H	Paliers à bride (roue antérieure seulement)
8	104275X421	Chapeau de l'essieu
9	105588X	Pneu arrière
10	7154J	Chambre à air arrière (non fournie)
11	124074X421	Ensemble de la jante arrière
--	144334	Joint d'étanchéité de pneu (tube de

DESCRIPTION

2 **REMARQUE:** Toutes les dimensions de composant sont données en pouces E.-U. --1 pouce = 25,4 mm

# Poulan PRO



## MANUEL DE PARTIES DE RÉPARATION

MODÈLE:

**PBGT26H54**  
TRACTEUR DE JARDIN

Portez toujours des lunettes de sécurité lors de l'utilisation.

Visitez notre site web: [www.poulan-pro.com](http://www.poulan-pro.com)

Lisez soigneusement le manuel  
suivez tous les avertissements et les  
instructions de sécurité. Les blessures  
sérieuses peuvent en résulter si  
vous ne lisez pas ces avertissements  
et instructions de sécurité.

AVERTISSEMENT:

