

- D Betriebsanleitung**
Turbotrimmer
-
- GB Operating Instructions**
Turbotrimmer
-
- F Mode d'emploi**
Turbofil
-
- NL Instructies voor gebruik**
Turbotrimmer
-
- S Bruksanvisning**
Turbotrimmer
-
- I Istruzioni per l'uso**
Turbotrimmer
-
- E Manual de instrucciones**
Turbotrimmer
-
- P Instruções de utilização**
Turbotrimmer
-
- DK Brugsanvisning**
Turbotrimmer

GARDENA Turbotrimmer classicCut / classicCut plus

Welcome to the Garden of GARDENA...



Translation of the original instructions from German. Please read these operating instructions carefully and observe the notes given. Use these operating instructions to familiarise yourself with the Turbotrimmer, its proper use and the notes on safety.



For safety reasons, children under the age of 16 or people who are not familiar with these operating instructions should not use this Turbotrimmer.

→ Please keep these operating instructions in a safe place.

Contents

1. Where to Use Your GARDENA Turbotrimmer	10
2. Safety Instructions	10
3. Assembly	12
4. Operation	12
5. Maintenance	13
6. Trouble-Shooting	14
7. Storage	15
8. Technical Data	15
9. Service / Warranty	16

1. Where to Use Your GARDENA Turbotrimmer

Proper use

The GARDENA Turbotrimmer is designed for trimming and cutting areas of grass and lawns in private house and hobby gardens. The Turbotrimmer must not be used in public facilities, parks, sports grounds, next to roads or in agriculture or forestry.

Please note



For safety reasons, the GARDENA Turbotrimmer must not be used for hedge trimming or for shredding for composting.

2. Safety Instructions

→ Please read the notes on safety on the Turbotrimmer.



Caution!
→ Always read the operating instructions before using your Turbotrimmer.

→ Keep other people out of the area where you are working.



Danger!
Risk of electric shock!
→ Keep your Turbotrimmer away from water and rain!



Danger! Tool does not stop immediately when turned off!

→ Keep your hands and feet out of the area where you are working until the cutting filament is stationary!



Danger! Risk of injury to other people!



Danger!
Risk of injury to eyes!
→ Always wear eye protection!

Check your Turbotrimmer before each use

- Always visually inspect your Turbotrimmer before each use.
- Check that the ventilation slots are not obstructed in any way.

Do not use your Turbotrimmer if the safety devices (push button, safety cover) and/or the filament cassette are damaged or worn.

- Never bypass the safety devices.
- Inspect the area to be cut before you begin work. Remove any foreign objects (such as stones). Look out for foreign objects (such as stones) while you are working.
- If you should come across an obstacle while cutting, turn off the Turbotrimmer. Remove the object and check the Turbotrimmer for any damage. If necessary have your Turbotrimmer repaired.

Use / responsibility

The Turbotrimmer can cause serious injuries.

- Use the Turbotrimmer only for the purpose specified in these operating instructions.

You are responsible for the safety in the area where you are working.

- Ensure that there are no other people (especially children) or animals within or near the area where you are working.
- Never use the Turbotrimmer if the safety devices are damaged or defective.

Unplug the mains plug after use and check your Turbotrimmer, especially the filament cassette, regularly for damage. Have your Turbotrimmer repaired and/or replace the filament cassette if necessary.

- Always wear an eye shield or safety goggles!
- Wear sturdy shoes and long trousers to protect your legs. Keep your fingers and feet away from the cutting filament – above all when starting work.
- Always ensure that you have a secure foothold whilst working.
- Keep the extension cable away from the area you are cutting.

Take extra care when walking backwards. You may stumble!

- Only work in the daylight or when visibility is good.

Interrupting work

Never leave the Turbotrimmer unattended where you are working.

- If you stop work, unplug the mains plug and store your Turbotrimmer in a safe place.
- If you stop work in order to move to another part of the garden, always switch off the Turbotrimmer, wait until the tool stops and then unplug the mains plug.

Familiarise yourself with the surroundings

- Familiarise yourself with the surroundings and look out for possible dangers which you may not hear due to machine noise.
- Never use the Turbotrimmer when it is raining or in damp, wet areas.
- Do not operate your Turbotrimmer directly next to swimming pools or garden ponds.

Electrical safety**Check the power cord regularly for damage and signs of wear and tear. s**

Do not use your Turbotrimmer if the power cord is damaged.

- If the mains cord or extension cable is damaged while you are working, unplug the mains plug immediately. Do not touch the cable until the mains plug is switched off.

The socket of the extension cable you are using must be waterproof.

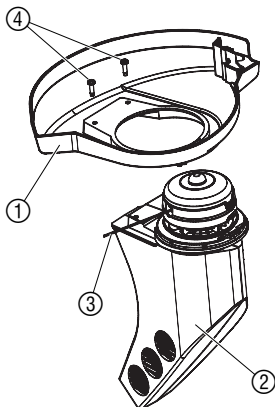
- Only use permitted extension cables.
- Ask your electrician.

For all portable units that are operated outdoors we recommend using a fault circuit breaker.

In Switzerland the use of a residual-current device is obligatory.

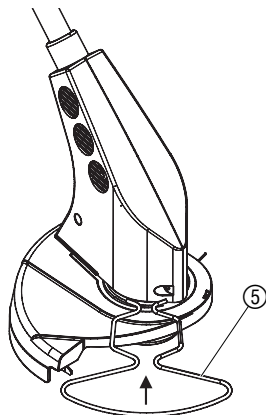
3. Assembly

Mounting the cover and plant guard:



1. Turn over the Turbotrimmer and stand it on the rubber buffer of the handle.
2. Fit the cover ① on the cutting head ② and guide the cutting filament ③ through the opening in the cover.
3. Secure the cover ① using the two screws ④.
4. Push the plant guard ⑤ onto the cutting head ② until you hear it snap into place.

The plant guard keeps plants you do not want to trim away from the cutting filament.



4. Operation

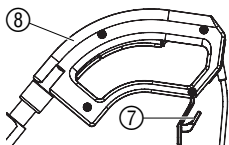
Risk of injury!



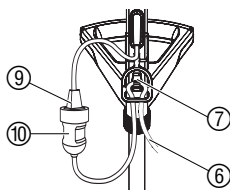
Risk of injury if the Turbotrimmer does not switch off when you release the start button.

→ **Never bypass the safety devices (by binding the start button to the handle, for example).**

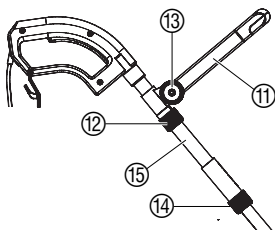
Connecting the Turbotrimmer:



1. Push the extension cable ⑥ into the cable lock ⑦ on the handle ⑧.
2. Plug the plug ⑨ of the Turbotrimmer into the socket ⑩ of the extension cable.



Setting the Turbotrimmer to the working position:



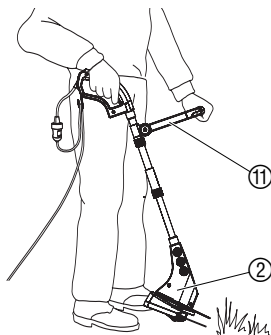
Working position:

Position the additional handle ⑪ so that the cutting head ② is tilted slightly forward when you hold the Turbotrimmer in the working position.

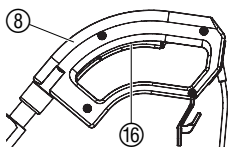
1. Unscrew the tightening nut ⑫, move the additional handle ⑪ to the correct position and tighten the nut ⑫ by hand.

Only for classicCut plus:

2. Unscrew the adjusting nut ⑬, set the additional handle ⑪ to the correct angle and tighten the adjusting nut ⑬ by hand.
3. Unscrew the tightening nut ⑭, adjust the handle ⑮ to the correct length and tighten the nut ⑭ by hand.

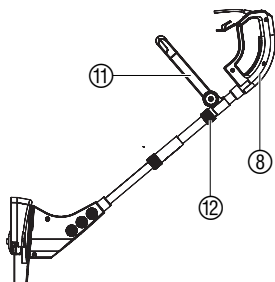


Starting your Turbotrimmer:

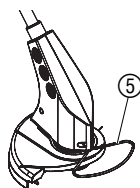


1. Press the start button (16) on the handle (8).
The Turbotrimmer starts.
2. Release the start button (16) on the handle (8).
The Turbotrimmer switches off.

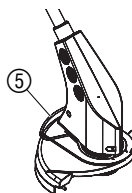
Trimming along lawn edges and in awkward places:



1. For vertical cutting, loosen the tightening nut (12), turn the additional handle (11) 180° and then tighten the nut (12) again by hand.
2. Swivel the plant guard (5) backwards to the park position until it clicks into place.
3. Lift the Turbotrimmer by the handle (8) and additional handle (11) and turn to the cutting position.
4. When trimming between paving stones, hold the Turbotrimmer so that the cutting filament moves slightly above the paved ground.

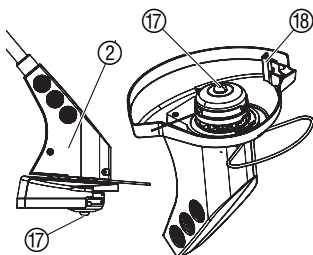


Cutting position



Park position

Filament feed (Tip mechanism for automatic filament feed):



The filament is lengthened automatically **when the motor is running** using a tip mechanism. A clean cut is only achieved with the maximum filament length.

1. Leave the motor running.
2. Hold the cutting head (2) parallel to the ground and tap the filament cassette (17) of the Turbotrimmer on the ground several times in succession (approx. 3 times) (avoid applying sustained pressure to the Turbotrimmer).

The filament is lengthened automatically. Listen for the audible switching action. The filament limiter (18) adjusts the filament to the correct length.

5. Maintenance

Risk of injury!



There is a risk of injury from the cutting filament!

→ Always unplug the mains plug of the Turbotrimmer before carrying out maintenance work!

Risk of injury!



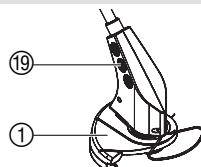
Risk of injury and risk of damage to property!

→ Never clean the Turbotrimmer under running water or with a water jet (in particular a high pressure water jet).

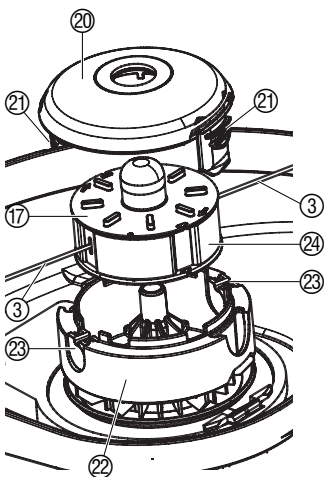
Cleaning the cover and ventilation slots:

The ventilation slots must always be free of dirt.

→ Remove any grass and dirt from the cover (1) and ventilation slots (19) after each use.



Replacing the filament cassette:



Risk of injury!

→ Never use metallic cutting elements or replacement parts and accessories not provided by GARDENA.

Only use original GARDENA Filament Cassettes. You can order Replacement Filament Cassettes from your GARDENA dealer or directly from the GARDENA Customer Service.

- Filament Cassette for Turbotrimmer classicCut: **Art. No. 5365-20** (one filament)
 - Filament Cassette for Turbotrimmer classicCut plus: **Art. No. 5366-20** (two filaments)
1. Unplug the mains plug.
 2. Turn over the Turbotrimmer and rest it on the rubber buffer of the handle.
 3. Release the cassette cover ⑳ by pressing both locking Oclips ㉑ and remove the cover.
 4. Remove the filament cassette ㉒.
 5. Remove any dirt.
 6. Pull approximately 5 cm of the filaments ③ (one filament for the classicCut) out of the new filament cassette ㉓ through the hole in the plastic ring ㉔.
 7. Insert the filament cassette ㉓ in the filament cassette holder ㉕ so that the filaments ③ are inside the metal cases ㉖.
 8. Fit the cassette cover ㉗ on the filament cassette holder ㉕ so that you hear both locking clips ㉑ click into place.

When replacing the cover, ensure that the filaments are inside the metal cases and are not trapped.

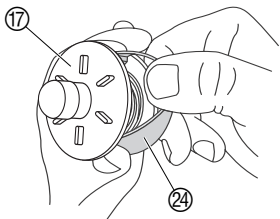
→ If the cassette cover ㉗ cannot be touched down, turn the filament cassette ㉓ to and fro, until the filament cassette ㉓ is completely in the filament cassette holder ㉕.

6. Trouble-Shooting

Risk of injury!



Pulling the filament out of the filament cassette:



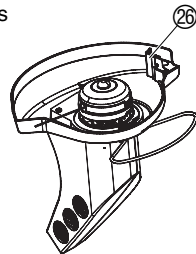
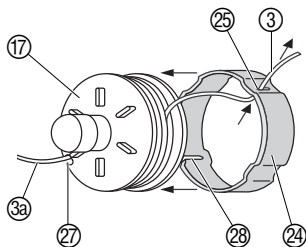
Risk of injury from the cutting filament!

→ Always unplug the mains plug of the Turbotrimmer before troubleshooting.

If a filament is drawn into the filament cassette you can pull it out again as described below.

1. Unplug the mains plug.
2. Remove the filament cassette as described under 5. Maintenance "Replacing the filament cassette".
3. Press together the plastic ring ㉔ on the filament cassette ㉓ between your thumb and forefinger.
4. Draw the plastic ring ㉔ with the thumb of the other hand over the side part of the filament cassette ㉓ (use a screwdriver if necessary).

You can now access the filament that was drawn into the filament cassette.



5. Unwind the filament ③ (with classicCut plus the lower filament) approximately 10 cm and thread it through the eye ②⑤ of the plastic ring ②④. If necessary, loosen the filament beforehand using a screwdriver. The filament ③ may stand out max. 2 cm over the knife ②⑥.
6. **Only for classicCut plus:** unwind the upper filament ③a approximately 10 cm and fit it into the notch ②⑦ of the filament cassette.
7. Pull the plastic ring ②④ back over the filament cassette ②⑧ (with classicCut plus ensure that the upper filament ③a is in the slot ②⑨ of the plastic ring).
8. Reinstall the filament cassette as described under 5. Maintenance *“Replacing the filament cassette”*.

Only GARDENA Service Centres and authorised specialist GARDENA dealers may carry out repairs.

Fault	Possible cause	Remedy
The Turbotrimmer no longer cuts.	Filament worn or too short.	→ Lengthen the filament – see 4. Operation <i>“Filament feed (Tip mechanism for automatic filament feed)”</i> .
	Filament cassette empty.	→ Replace the filament cassette – see 5. Maintenance <i>“Replacing the filament cassette”</i> .
	Filament drawn into the cassette or stuck together.	→ Pull the filament out of the filament cassette (see above).

If you have any other problems please contact the GARDENA Customer Service.

7. Storage

Storage:

The Turbotrimmer must be stored out of the reach of children.
→ Store your Turbotrimmer in a dry place where it is protected from frost.

Recommended storage:

We recommend that you hang your Turbotrimmer from the cable lock. Hanging storage helps avoid unnecessary stress on the cutting head.

Disposal:
(in accordance with
RL2002/96/EC)



The product must not be added to normal household waste. It must be disposed of in line with local environmental regulations.
→ Important: Make sure that the unit is disposed of via your municipal recycling collection centre.

8. Technical Data

	classicCut (Art. 2402)	classicCut plus (Art. 2403)
Motor power consumption	420 W	420 W
Mains voltage / mains frequency	230 V / 50-60 Hz	230 V / 50-60 Hz
Filament thickness	1.6 mm	1.6 mm
Cutting width	250 mm	250 mm
Filament supply	6.0 m	2 x 5.0 m
Filament feed	Tip mechanism	Tip mechanism
Weight	2.1 kg	2.4 kg
Rpm of filament cassette	12,000 rpm	12,000 rpm
Work area related emission characteristic value $L_{pA}^{1)}$	85 dB (A)	85 dB (A)
Noise level $L_{WA}^{2)}$	measured / guaranteed 94 dB (A) / 96 dB (A)	measured / guaranteed 94 dB (A) / 96 dB (A)
Hand/arm vibration $a_{vhw}^{1)}$	< 2.5 m/s ²	< 2.5 m/s ²

Measuring method according to 1) EN 786 2) directive 2000/14/EC

9. Service / Warranty

Warranty

GARDENA guarantees this product for 2 years (from date of purchase). This guarantee covers all serious defects of the unit that can be proved to be material or manufacturing faults. Under warranty we will either replace the unit or repair it free of charge if the following conditions apply:

- The unit must have been handled properly and in keeping with the requirements of the operating instructions.
- Neither the purchaser or a non-authorised third party have attempted to repair the unit.

The filament cassette and cassette cover are wearing parts and are therefore not covered by the warranty.

This manufacturer's guarantee does not affect the user's existing warranty claims against the dealer/seller.

If a fault occurs with your Turbotrimmer, please return the faulty unit together with a copy of the receipt and a description of the fault, with postage paid to one of the GARDENA Service Centres listed on the back of these operating instructions.

<p>D <i>Produkthftung</i></p>	<p>Wir weisen ausdrücklich darauf hin, dass wir nach dem Produkthaftungsgesetz nicht für durch unsere Geräte hervorgerufene Schäden einzustehen haben, sofern diese durch unsachgemäße Reparatur verursacht oder bei einem Teileaustausch nicht unsere Original GARDENA Teile oder von uns freigegebene Teile verwendet werden und die Reparatur nicht vom GARDENA Service oder dem autorisierten Fachmann durchgeführt wird. Entsprechendes gilt für Ergänzungssteile und Zubehör.</p>
<p>GB <i>Product Liability</i></p>	<p>We expressly point out that, in accordance with the product liability law, we are not liable for any damage caused by our units if it is due to improper repair or if parts exchanged are not original GARDENA parts or parts approved by us, and, if the repairs were not carried out by a GARDENA Service Centre or an authorised specialist. The same applies to spare parts and accessories.</p>
<p>F <i>Responsabilité</i></p>	<p>Nous vous signalons expressément que GARDENA n'est pas responsable des dommages causés par ses appareils, dans la mesure où ces dommages seraient causés suite à une réparation non conforme, dans la mesure où, lors d'un échange de pièces, les pièces d'origine GARDENA n'auraient pas été utilisées, ou si la réparation n'a pas été effectuée par le Service Après-Vente GARDENA ou l'un des Centres SAV agréés GARDENA. Ceci est également valable pour tout ajout de pièces et d'accessoires autres que ceux préconisés par GARDENA.</p>
<p>NL <i>Productaansprakelijkheid</i></p>	<p>Wij wijzen er nadrukkelijk op, dat wij op grond van de wet aansprakelijkheid voor producten niet aansprakelijk zijn voor schade ontstaan door onze apparaten, indien deze door onvakkundige reparatie veroorzaakt zijn, of er bij het uitwisselen van onderdelen geen gebruik gemaakt werd van onze originele GARDENA onderdelen of door ons vrijgegeven onderdelen en de reparatie niet door de GARDENA technische dienst of de bevoegde vakman uitgevoerd werd. Ditzelfde geldt voor extra-onderdelen en accessoires.</p>
<p>S <i>Produktansvar</i></p>	<p>Tillverkaren är inte ansvarig för skada som orsakats av produkten om skadan beror på att produkten har reparerats felaktigt eller om, vid reparation eller utbyte, andra än Original GARDENA reservdelar har använts. Samma sak gäller för kompletteringsdelar och tillbehör.</p>
<p>I <i>Responsabilità del prodotto</i></p>	<p>Si rende espressamente noto che, conformemente alla legislazione sulla responsabilità del prodotto, non si risponde di danni causati da nostri articoli se originati da riparazioni eseguite non correttamente o da sostituzioni di parti effettuate con materiale non originale GARDENA o comunque da noi non approvato e, in ogni caso, qualora l'intervento non venga eseguito da un centro assistenza GARDENA o da personale specializzato autorizzato. Lo stesso vale per le parti complementari e gli accessori.</p>
<p>E <i>Responsabilidad de productos</i></p>	<p>Advertimos que conforme a la ley de responsabilidad de productos no nos responsabilizamos de daños causados por nuestros aparatos, siempre y cuando dichos daños hayan sido originados por arreglos o reparaciones indebidas, por recambios con piezas que no sean piezas originales GARDENA o bien piezas autorizadas por nosotros, así como en aquellos casos en que la reparación no haya sido efectuada por un Servicio Técnico GARDENA o por un técnico autorizado. Lo mismo es aplicable para las piezas complementarias y accesorios.</p>
<p>P <i>Responsabilidade sobre o produto</i></p>	<p>Queremos salientar que segundo a lei da responsabilidade do fabricante, nós não nos responsabilizaremos por danos causados pelo nosso equipamento, quando estes ocorram em decorrência de reparações inadequadas ou da substituição de peças por peças não originais da GARDENA, ou peças não autorizadas. A responsabilidade tornar-se-à nula também depois de reparações realizadas por oficinas não autorizadas pela GARDENA. Esta restrição valerá também para peças adicionais e acessórios.</p>
<p>DK <i>Produktansvar</i></p>	<p>Vi gør udtrykkeligt opmærksom på at i henhold til produktansvarsloven er vi ikke ansvarlige for skader forårsaget af vores udstyr, hvis det skyldes uautoriserede reparationer eller hvis dele er skiftet ud og der ikke er anvendt originale GARDENA dele eller dele godkendt af os, eller hvis reparationerne ikke er udført af GARDENA-service eller en autoriseret fagmand. Det samme gælder for ekstra udstyr og tilbehør.</p>


<p>D EU-Konformitätserklärung Maschinenverordnung (9. GSGVO) / EMVG / Niedersp. RL Der Unterzeichnete GARDENA Manufacturing GmbH, Hans-Lorenser-Str. 40, D-89079 Ulm, bestätigt, dass die nachfolgend bezeichneten Geräte in der von uns in Verkehr gebrachten Ausführung die Anforderungen der harmonisierten EU-Richtlinien, EU-Sicherheitsstandards und produktspezifischen Standards erfüllen. Bei einer nicht mit uns abgestimmten Änderung der Geräte verliert diese Erklärung ihre Gültigkeit.</p>	Bezeichnung des Gerätes: Turbotrimmer Description of the unit: Turbotrimmer Désignation du matériel : Turbofil Omschrijving van het apparaat: Turbotrimmer Produktbeskrivning: Turbotrimmer Descrizione del prodotto: Turbotrimmer Descripción de la mercancía: Turbotrimmer Descrição do aparelho: Turbotrimmer Beskrivelse af enhederne: Turbotrimmer
<p>GB EU Certificate of Conformity The undersigned GARDENA Manufacturing GmbH, Hans-Lorenser-Str. 40, D-89079 Ulm, hereby certifies that, when leaving our factory, the units indicated below are in accordance with the harmonised EU guidelines, EU standards of safety and product specific standards. This certificate becomes void if the units are modified without our approval.</p>	Typ: Type: Type : Type: classicCut Type: Modello: classicCut plus Tipo: Tipo: Type: Art.-Nr.: Art. No.: Référence : Art. nr.: 2402 Art.nr.: Art.: 2403 Art. N°: Art. N°: Varenr. :
<p>F Certificat de conformité aux directives européennes Le constructeur, soussigné : GARDENA Manufacturing GmbH, Hans-Lorenser-Str. 40, D-89079 Ulm, déclare qu'à la sortie de ses usines le matériel neuf désigné ci-dessous était conforme aux prescriptions des directives européennes énoncées ci-après et conforme aux règles de sécurité et autres règles qui lui sont applicables dans le cadre de l'Union européenne. Toute modification portée sur ce produit sans l'accord express de GARDENA supprime la validité de ce certificat.</p>	EU-Richtlinien: Harmonisierte EN: EU directives: Directives 98/37/EC:1998 EN ISO 12100-1 européennes : 2006/42/EC:2006 EN ISO 12100-2 EU-richtlijnen: 2006/95/EC EN 786 EU direktiv: 2004/108/EC EN 60335-1 Direttive UE: 93/68/EC EN 60335-2-91 Normativa UE: 2000/14/EC ISO 4871 Directrices da UE: EU Retningslinier:
<p>NL EU-overeenstemmingsverklaring Ondergetekende GARDENA Manufacturing GmbH, Hans-Lorenser-Str. 40, D-89079 Ulm, bevestigt, dat het volgende genoemde apparaat in de door ons in de handel gebrachte uitvoering voldoet aan de eis van, en in overeenstemming is met de EU-richtlijnen, de EU-veiligheidsstandaard en de voor het product specifieke standaard. Bij een niet met ons afgestemde verandering aan het apparaat verliest deze verklaring haar geldigheid.</p>	Hinterlegte Dokumentation: GARDENA Technische Dokumentation Konformitätsbewertungsverfahren: Nach 2000/14/EG Art. 14 Anhang VI Deposited Documentation: GARDENA Technical Documentation Conformity Assessment according to 2000/14/EC Procedure: Art. 14 Annex VI Documentation déposée : Documentation technique GARDENA Procédure d'évaluation de la Selon 2000/14/CE art. 14 Annexe VI conformité :
<p>S EU Tillverkarintyg Undertecknad firma GARDENA Manufacturing GmbH, Hans-Lorenser-Str. 40, D-89079 Ulm, intygar härmed att nedan nämnda produkter överensstämmer med EU:s direktiv, EU:s säkerhetsstandard och produktspecifikation. Detta intyg upphör att gälla om produkten ändras utan vårt tillstånd.</p>	Schall-Leistungspegel: gemessen / garantiert Noise level: measured / guaranteed Puissance acoustique : mesurée / garantie Geluidsniveau: gemeten / gegarandeerd Ljudnivå: uppmätt / garanterad Livello rumorosità: testato / garantito Nível sonoro: medido / garantizado Nível de ruído: medido / garantido Lydtrykkniveau: afmålt / garanti 94 dB (A) / 96 dB (A)
<p>I Dichiarazione di conformità alle norme UE La sottoscritta GARDENA Manufacturing GmbH, Hans-Lorenser-Str. 40, D-89079 Ulm, certifica che il prodotto qui di seguito indicato, nei modelli da noi commercializzati, è conforme alle direttive armonizzate UE nonché agli standard di sicurezza e agli standard specifici di prodotto. Qualunque modifica apportata al prodotto senza nostra specifica autorizzazione invalida la presente dichiarazione.</p>	Anbringningsjahr der CE-Kennzeichnung: Year of CE marking: Date d'apposition du marquage CE : Installatiejaar van de CE-aanduiding: 2002 CE-Märkningsår: Anno di rilascio della certificazione CE: Colocación del distintivo CE: Ano de marcação pela CE: CE-Mærkningsår:
<p>E Declaración de conformidad de la UE El que suscribe GARDENA Manufacturing GmbH, Hans-Lorenser-Str. 40, D-89079 Ulm, declara que la presente mercancía, objeto de la presente declaración, cumple con todas las normas de la UE, en lo que a normas técnicas, de homologación y de seguridad se refiere. En caso de realizar cualquier modificación en la presente mercancía sin nuestra previa autorización, esta declaración pierde su validez.</p>	Ulm, den 12.07.2002 Ulm, 12.07.2002 Ulm, 12.07.2002 Ulm, 12.07.2002 Ulm, 12.07.2002 Ulm, 12.07.2002 Ulm, 12.07.2002 Ulm, 12.07.2002
<p>P Certificado de conformidad da UE Os abaixo mencionados GARDENA Manufacturing GmbH, Hans-Lorenser-Str. 40, D-89079 Ulm, por este meio certificam que ao sair da fábrica o aparelho abaixo mencionado está de acordo com as diretrizes harmonizadas da UE, padrões de segurança e de produtos específicos. Este certificado ficará nulo se a unidade for modificada sem a nossa aprovação.</p>	Der Bevollmächtigte Authorised representative Représentant légal Gemachtigde Behörig Firmatecknare Rappresentante autorizzato Representante autorizado Representante autorizado Teknisk direktör
<p>DK EU Overensstemmelse certificat Undertegnede GARDENA Manufacturing GmbH, Hans-Lorenser-Str. 40, D-89079 Ulm bekræfter hermed, at enheder listet herunder, ved afsendelse fra fabrikken, er i overensstemmelse med harmoniserede EU retningslinier, EU sikkerhedsstandarder og produktspecifikationsstandarder. Dette certifikat træder ud af kraft hvis enhederne er ændret uden vor godkendelse.</p>	 Thomas Heini Vice President

Bild Nr. Picture No.	Ersatzteil-Nr. Spare Part No.	Bezeichnung Turbotrimmer classicCut Art.-Nr. 2402	Description Turbotrimmer classicCut Art.-Nr. 2402
1/4/18	2402-00.710.00	Abdeckung, vollst.	Covering, cpl.
2	2390-00.074.00 #	Netzkabel, vollst.	Mains lead, cpl.
3	2300-00.600.21	Knickschutztülle	Bending safety socket
4	2110-00.600.40	Blechschraube 4,2x16-C-H	Sheet metal screw 4,2x16-C-H
5	2402-00.600.49	Pflanzenschutzbügel	Plant guard
6	2402-00.600.52 #	Schalter	Switch
7	2402-00.600.31	Kabelzugentlastung	Cable pull relief
8		Stielkabel, kpl.	Handle wire, cpl.
9	410-00.000.38	Blechschraube 4,2x19-C-H	Sheet metal screw 4,2x19-C-H
9-11	2402-00.702.00	Zusatzgriff, kpl.	Extension handle, cpl.
14	2404-00.610.11	Klemmutter	Lock nut
15	2404-00.600.88	Kappe	Cap
16	2402-00.600.26	Taste	Button
17	2402-00.630.00	Spule, kpl. (Art. 5365-20)	Reel, cpl. (Art. 5365-20)
18	2555-00.600.23	Messer	Blade
19	2555-00.600.73	Druckfeder	Pressure spring
19/21/22	2402-00.799.00 #	Elektromotor, kpl.	Electric motor, cpl.
20	2402-00.600.41	Deckel, rot	Cover, red
22	2555-00.600.33	Gummilager, unten	Rubber bearing, below
23	2402-00.600.57	Hülse f. Schneidkopf	Bush
24	2402-00.600.51	Gummilager, oben	Rubber bearing, up
25	2402-00.600.01	Gehäuse, links	Case, left
26	2402-00.700.06	Gehäuse, rechts	Case, right
27	2402-00.600.56	Lüftungsgitter	Ventilation grid
28	2546-00.600.28	Blechschraube 4,2x19-C-H	Sheet metal screw 4,2x19-C-H
29	2402-00.600.16	Griff, links	Handle, left
30	2402-00.600.21	Griff, rechts	Handle, right
31	2390-00.070.16	Zargenpuffer	Border buffer
33		Stielrohr	Handle bar

Achtung! Die mit # gekennzeichneten Ersatzteile dürfen ausschliesslich von einer Elektrofachkraft nach Vorgabe des Herstellers unter Berücksichtigung der gesetzlichen Vorschriften ersetzt werden.

Attention! Those with # of marked spare parts may be replaced exclusively from an electrical specialist to default of the manufacturer with consideration of the laws.

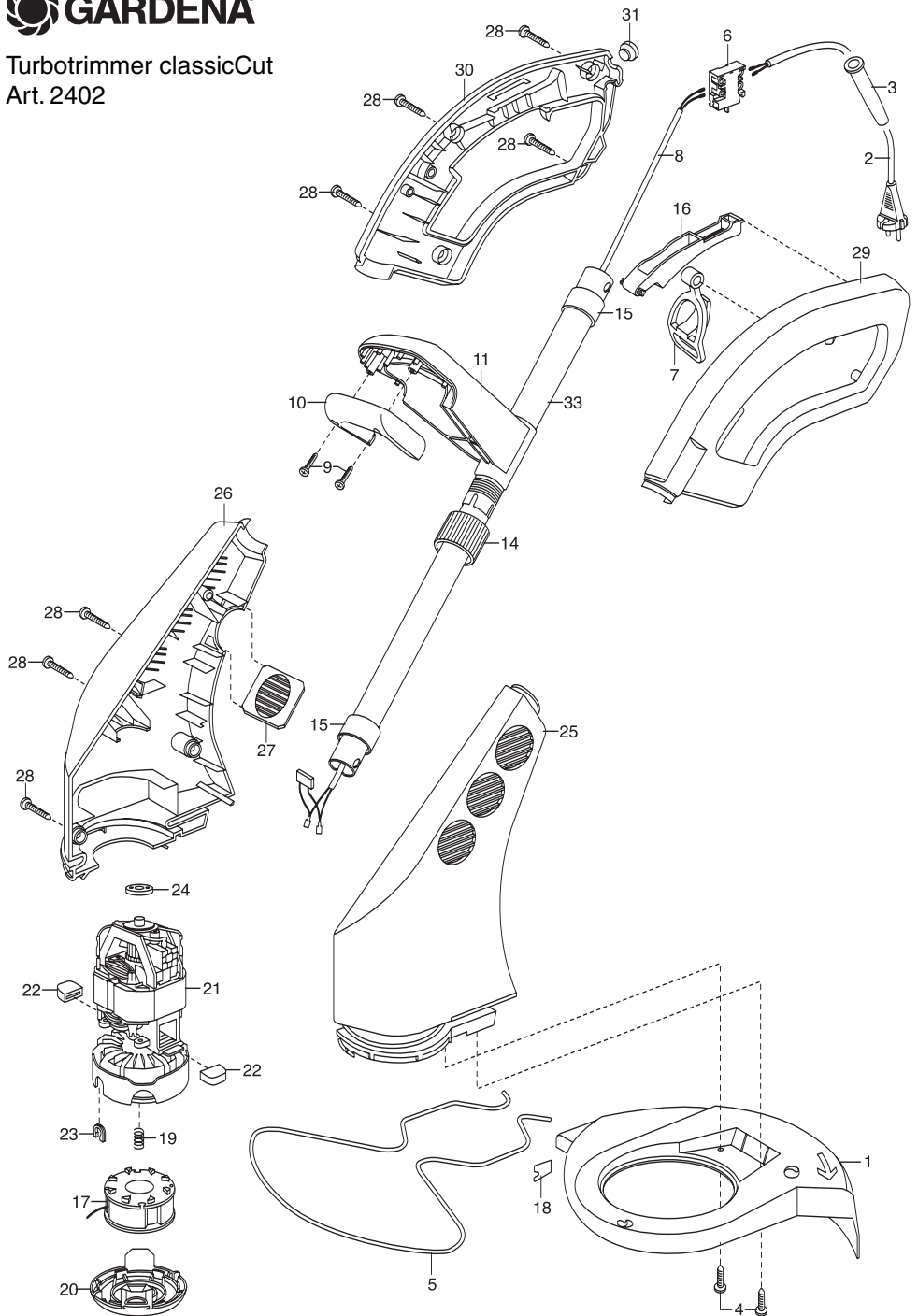
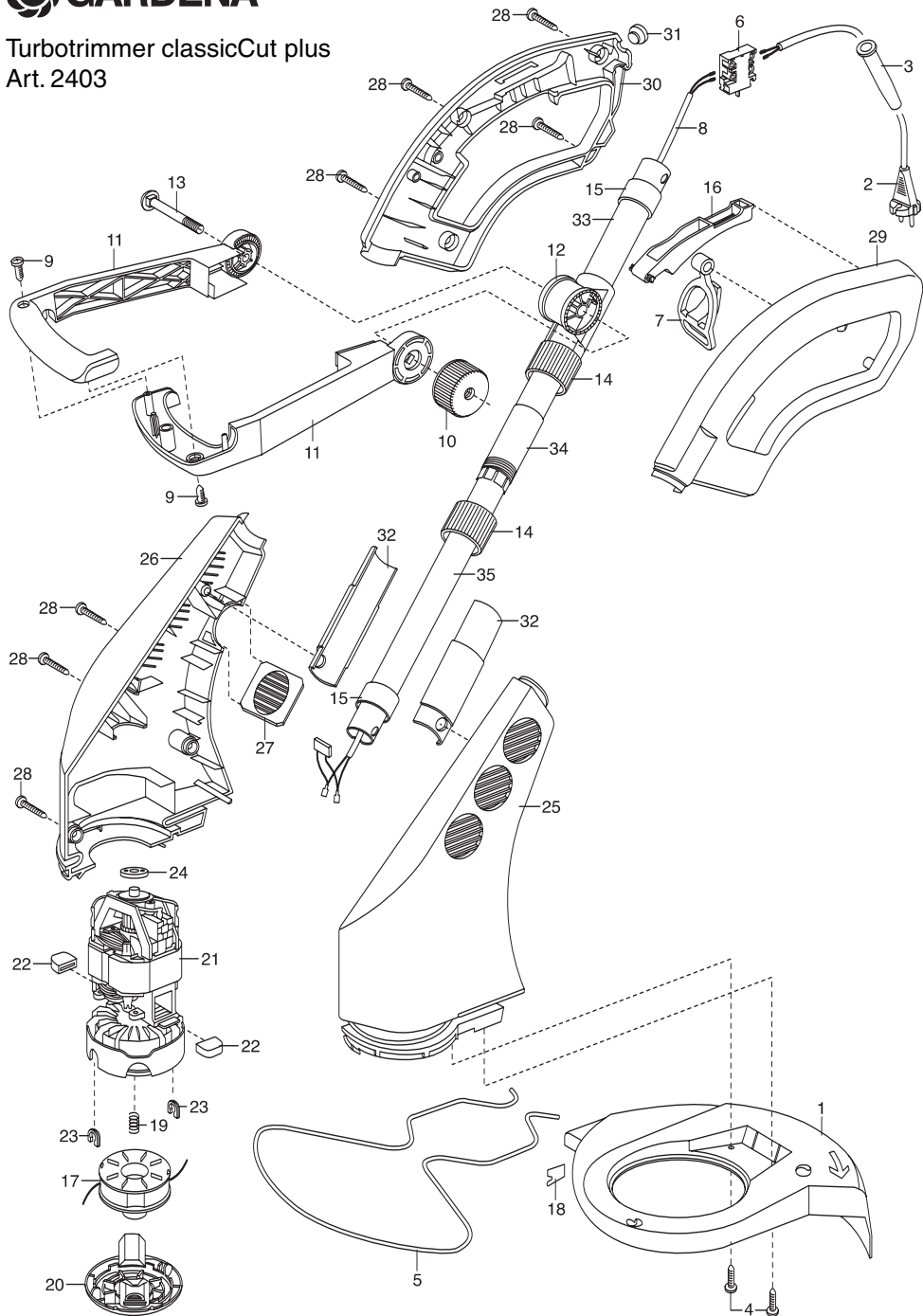


Bild Nr. Picture No.	Ersatzteil-Nr. Spare Part No.	Bezeichnung Turbotrimmer classicCut plus Art.-Nr. 2403	Description Turbotrimmer classicCut plus Art.-Nr. 2403
1	2402-00.710.00	Abdeckung, vollst.	Covering, cpl.
2	2390-00.074.00 #	Netzkabel, vollst.	Mains lead, cpl.
3	2300-00.600.21	Knickschutztülle	Bending safety socket
4	2110-00.600.40	Blechschaube 4,2x16-C-H	Sheet metal screw 4,2 x 16-C-H
5	2402-00.600.49	Pflanzenschutzbügel	Plant guard
6	2402-00.600.52 #	Schalter	Switch
7	2402-00.600.31	Kabelzugentlastung	Cable pull relief
8		Spiralkabel	Helix cable
9	410-00.000.38	Blechschaube 4,2x19-C-H	Sheet metal screw 4,2 x 19-C-H
10	2404-00.610.16	Spannmutter	Clamping nut
11	2404-00.610.01	Zusatzgriff, gross	Extension handle, large
12		Stellteil	Operating element
13	2404-00.610.21	Flachrundschaube M8 x 70	Truss head screw M8 x 70
14	2404-00.610.11	Klemmutter	Lock nut
15	2404-00.600.88	Kape	Cap
16	2402-00.600.26	Taste	Button
17	2403-00.610.00	Doppelspule, kpl. (Art. 5366-20)	Double reel, cpl. (Art. 5366-20)
19	2555-00.600.73	Druckfeder	Pressure spring
19/21/23	2403-00.799.00 #	Elektromotor, vollst.	Electric motor, cpl.
20	2403-00.600.06	Deckel, rot	Cover, red
22	2555-00.600.33	Gummilager, unten	Rubber bearing, below
23	2402-00.600.57	Hülse	Bush
24	2402-00.600.51	Gummilager, oben	Rubber bearing, up
25	2402-00.600.01	Gehäuse, links	Case, left
26	2402-00.700.06	Gehäuse, rechts	Case, right
27	2402-00.600.56	Lüftungsgitter	Ventilation grid
28	2546-00.600.28	Blechschaube 4,2x19-C-H	Sheet metal screw 4,2 x 19-C-H
29	2402-00.600.16	Griff, links	Handle, left
30	2402-00.600.21	Griff, rechts	Handle, right
32	2403-00.600.12	Schale	Shell
33-35/14		Teleskopstiel, vollst.	Telescope handle, cpl.

Achtung! Die mit # gekennzeichneten Ersatzteile dürfen ausschliesslich von einer Elektrofachkraft nach Vorgabe des Herstellers unter Berücksichtigung der gesetzlichen Vorschriften ersetzt werden.

Attention! Those with # of marked spare parts may be replaced exclusively from an electrical specialist to default of the manufacturer with consideration of the laws.

Turbotrimmer classicCut plus
Art. 2403



Deutschland / Germany

GARDENA
Manufacturing GmbH
Service Center
Hans-Lorenser-Straße 40
D-89079 Ulm
Produktfragen:
(+49) 731 490-123
Reparaturen:
(+49) 731 490-290
service@gardena.com

Argentina

Argensem® S.A.
Calle Colonia Japonesa s/n
(1625) Loma Verde
Escobar, Buenos Aires
Phone: (+54) 34 88 49 40 40
info@argensem.com.ar

Australia

Nylex Consumer Products
50-70 Stanley Drive
Somerton, Victoria, 3062
Phone: (+61) 1800 658 276
spare.parts@nylex.com.au

Austria / Österreich

GARDENA
Österreich Ges.m.b.H.
Stettnerweg 11-15
2100 Korneuburg
Tel.: (+43) 22 62 7 45 45 36
kundendienst@gardena.at

Belgium

GARDENA Belgium NV/SA
Sterrebeekstraat 163
1930 Zaventem
Phone: (+32) 2 7 20 92 12
Mail: info@gardena.be

Brazil

Palash Comércio e
Importação Ltda.
Rua São João do Araguaia,
338 – Jardim Califórnia –
Barueri – SP - Brasil –
CEP 06409-060
Phone: (+55) 11 4198-9777
eduardo@palash.com.br

Bulgaria

Хускварна България ЕООД
1799 София
Бул. „Андрей Ляпчев“ № 72
Тел.: 02/ 8755148, 9753076
www.husqvarna.bg

Canada

GARDENA Canada Ltd.
100 Summerlea Road
Brampton, Ontario L6T 4X3
Phone: (+1) 905 792 9330
info@gardenacanada.com

Chile

Antonio Martinic y Cia Ltda.
Cassillas 272
Centro de Cassillas
Santiago de Chile
Phone: (+56) 2 20 10 708
garfar_cl@yahoo.com

Costa Rica

Compania Exim
Euroberoamericana S.A.
Los Colegios, Moravia,
200 metros al Sur del Colegio
Saint Francis - San José
Phone: (+506) 297 68 83
exim_euro@racsa.co.cr

Croatia

KLIS d.o.o.
Stanciceva 79
10419 Vukovina
Phone: (+385) 1 622 777 0
gardena@klis-trgovina.hr

Cyprus

FARMOKIPIKI LTD
P.O. Box 7098
74, Digeni Akritra Ave.
1641 Nicosia
Phone: (+357) 2275 47 62
condam@spidernet.com.cy

Czech Republic

GARDENA spol. s r.o.
Tuřanka 115
627 00 Brno
Phone: (+420) 800 100 425
gardena@gardenabrno.cz

Denmark

GARDENA Norden AB
Salgsafdeling Danmark
Box 9003
S-200 39 Malmö
info@gardena.dk

Finland

Oy Husqvarna Ab
Lautatarhankatu 8b/ PL 3
FI-00581 HELSINKI

France

GARDENA
PARIS NORD 2
69, rue de la Belle Etoile
BP 57080
ROISSY EN FRANCE
95948 ROISSY CDG CEDEX
Tél. (+33) 0826 101 455
service.consommateurs@
gardena.fr

Great Britain

Husqvarna UK Ltd
Preston Road
Aycliffe Industrial Park
Newton Aycliffe
County Durham
DL5 6UP
info.gardena@husqvarna.co.uk

Greece

Agrokip
Psomadopoulos S.A.
Ifaistou 33A
Industrial Area Koropi
194 00 Athens Greece
V.A.T. EL093474846
Phone: (+30) 210 6620 225
service@agrokip.gr

Hungary

GARDENA
Magyarország Kft.
Késmárk utca 22
1158 Budapest
Phone: (+36) 80 20 40 33
gardena@gardena.hu

Iceland

Ó. Johnson & Kaaber
Tunguhalsi 1
110 Reykjavik
ooj@ojk.is

Ireland

Michael McLoughlin & Sons
Hardware Limited
Long Mile Road
Dublin 12

Italy

GARDENA Italia S.p.A.
Via Donizetti 22
20020 Lainate (Mi)
Phone: (+39) 02.93.94.79.1
info@gardenaitalia.it

Japan

KAKUICHI Co. Ltd.
Sumitomo Realty &
Development Kojimachi
BLDG., 8F
5-1 Nibanncyo, Chiyoda-ku
Tokyo 102-0084
Phone: (+81) 33 264 4721
m_ishihara@kaku-ichi.co.jp

Luxembourg

Magasins Jules Neuberg
39, rue Jacques Stas
Luxembourg-Gasperich 2549
Case Postale No. 12
Luxembourg 2010
Phone: (+352) 40 14 01
api@neuberg.lu

Netherlands

GARDENA Nederland B.V.
Postbus 50176
1305 AD ALMERE
Phone: (+31) 36 521 00 00
info@gardena.nl

Neth. Antilles

Jonka Enterprises N.V.
Sta. Rosa Weg 196
P.O. Box 8200, Curaçao
Phone: (+599) 9 767 66 55
pgm@jonka.com

New Zealand

NYLEX New Zealand Limited
Building 2, 118 Savill Drive
Mangere, Auckland
Phone: (+64) 0800 22 00 88
spare.parts@nylex.com.au

Norway

GARDENA Norden AB
Salgskontor Norge
Kleverveien 6
1540 Vestby
info@gardena.no

Poland

GARDENA Polska Sp. z o.o.
Szymanów 9 d
05-532 Baniocza
Phone: (+48) 22 727 56 90
gardena@gardena.pl

Portugal

GARDENA Portugal Lda.
Sintra Business Park
Edifício 1, Fração 0-G
2710-089 Sintra
Phone: (+351) 21 922 85 30
info@gardena.pt

Romania

MADEX INTERNATIONAL SRL
Soseaua Odaii 117-123,
Sector 1,
București, RO 013603
Phone: (+40) 21 352 76 03
madex@ines.ro

Russia / Россия

ООО ГАРДЕНА РУС
123007, г. Москва
Хорошевское шоссе, д. 32А
Тел.: (+7) 495 540 99 57
info@gardena-rus.ru

Singapore

Hy-Ray PRIVATE LIMITED
40 Jalan Pemimpin
#02-08 Tat Ann Building
Singapore 577185
Phone: (+65) 6253 2277
hyray@singnet.com.sg

Slovak Republic

GARDENA Slovensko, s.r.o.
Panónska cesta 17
851 04 Bratislava
Phone: (+421) 263 453 722
info@gardena.sk

Slovenia

GARDENA d.o.o.
Brodšče 15
1236 Trzin
Phone: (+386) 1 580 93 32
servis@gardena.si

South Africa

GARDENA
South Africa (Pty.) Ltd.
P.O. Box 11534
Vorna Valley 1686
Phone: (+27) 11 315 02 23
sales@gardena.co.za

Spain

GARDENA IBÉRICA S.L.U.
C/ Basauri, nº 6
La Florida
28023 Madrid
Phone: (+34) 91 708 05 00
atencioncliente@gardena.es

Sweden

GARDENA Norden AB
Försäljningskontor Sverige
Box 9003
200 39 Malmö
info@gardena.se

Switzerland / Schweiz

GARDENA (Schweiz) AG
Bitzberg 1
8184 Bächenbülach
Phone: (+41) 848 800 464
info@gardena.ch

Turkey

GARDENA / Dost Diş Ticaret
Mümesillik A.Ş. Sanayi
Çad. Adil Sokak No. 1
Kartal - İstanbul
Phone: (+90) 216 38 93 939
info@gardena-dost.com.tr

Ukraine / Україна

ALTSEST JSC
4 Petropavlivska Street
Petropavlivska
Borschahivka Town
Kyivo Svyatoshyn Region
08130, Ukraine
Phone: (+380) 44 459 57 03
uprr@altsest.kiev.ua

USA

Melnor Inc.
3085 Shawnee Drive
Winchester, VA 22604
Phone: (+1) 540 722-9080
service_us@melnor.com

2402-2.960.08/0308
© GARDENA
Manufacturing GmbH
D-89070 Ulm
http://www.gardena.com