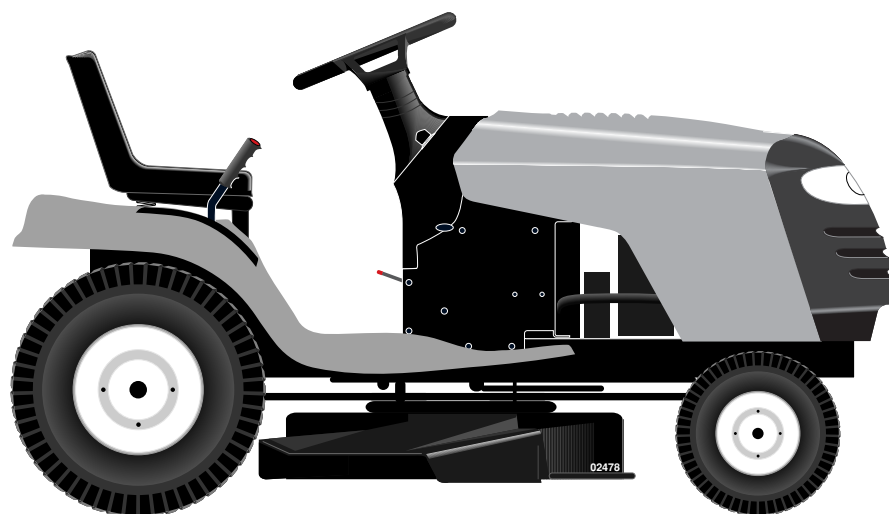


# **Poulan PRO**



**REPAIR PARTS MANUAL**

**MODEL:**

**PB195H42LT**

**LAWN TRACTOR**

**ALWAYS WEAR EYE PROTECTION DURING OPERATION**

**Visit our website: [www.poulan-pro.com](http://www.poulan-pro.com)**

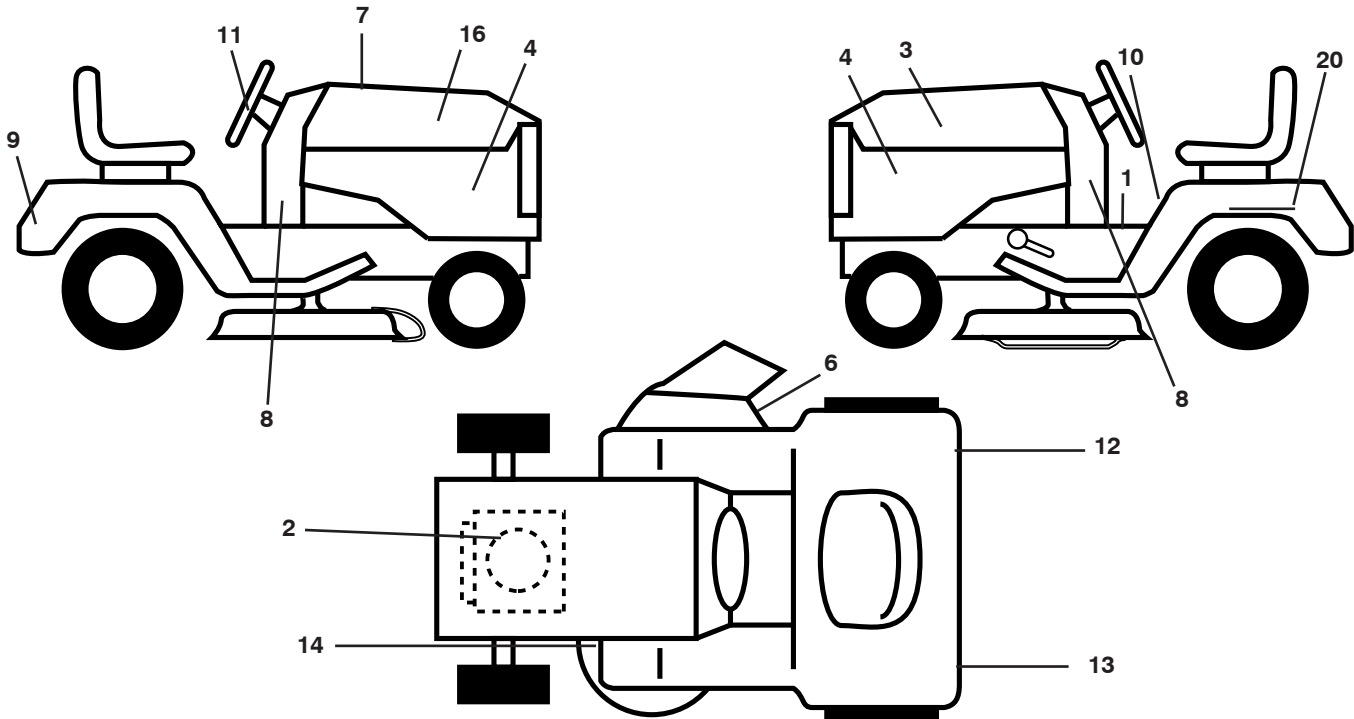


**WARNING:**

Read this Manual and follow all Warnings and Safety Instructions. Failure to do so can result in serious injury.

# REPAIR PARTS

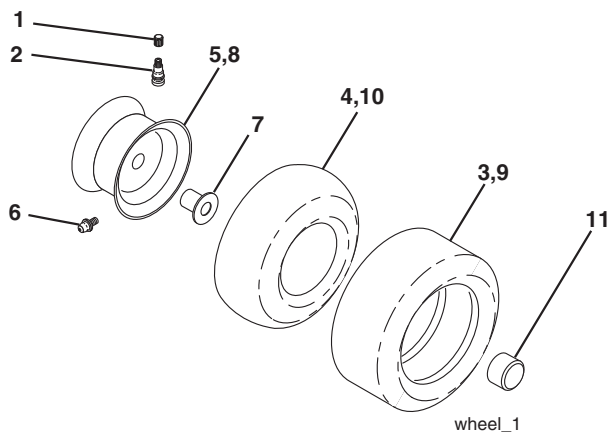
TRACTOR - - MODEL NUMBER PB195H42LT (96042003600), PRODUCT NO. 960 42 00-36  
DECALS



KEY NO.	PART NO.	DESCRIPTION
1	199114	Decal Oper
2	408834	Decal Engine H.P.
3	186164	Decal Hood LH
4	408794	Decal Side Panel
6	170563	Decal Warning, Keep Hand Away
7	401175	Decal Replacement Parts
8	411175	Decal LWRDASH
9	172740	Decal Fender Logo
11	172743	Decal Ins Strg Whl
12	408948	Decal Fender SD RH

KEY NO.	PART NO.	DESCRIPTION
13	408949	Decal Fender SD LH
14	160396	Decal V-Belt Schematic
16	186163	Decal Hood Rh
20	145005	Decal Bat Dan/Psn
--	193226X428	Pad Footrest LH
--	193277X428	Pad Footrest RH
--	166960	Decal Bypass
--	411287	Manual Operator's E&F
--	411288	Manual Parts

## WHEELS AND TIRES

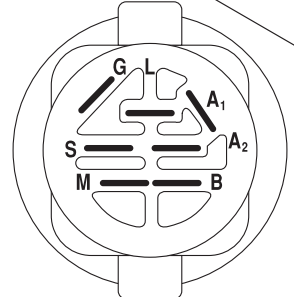
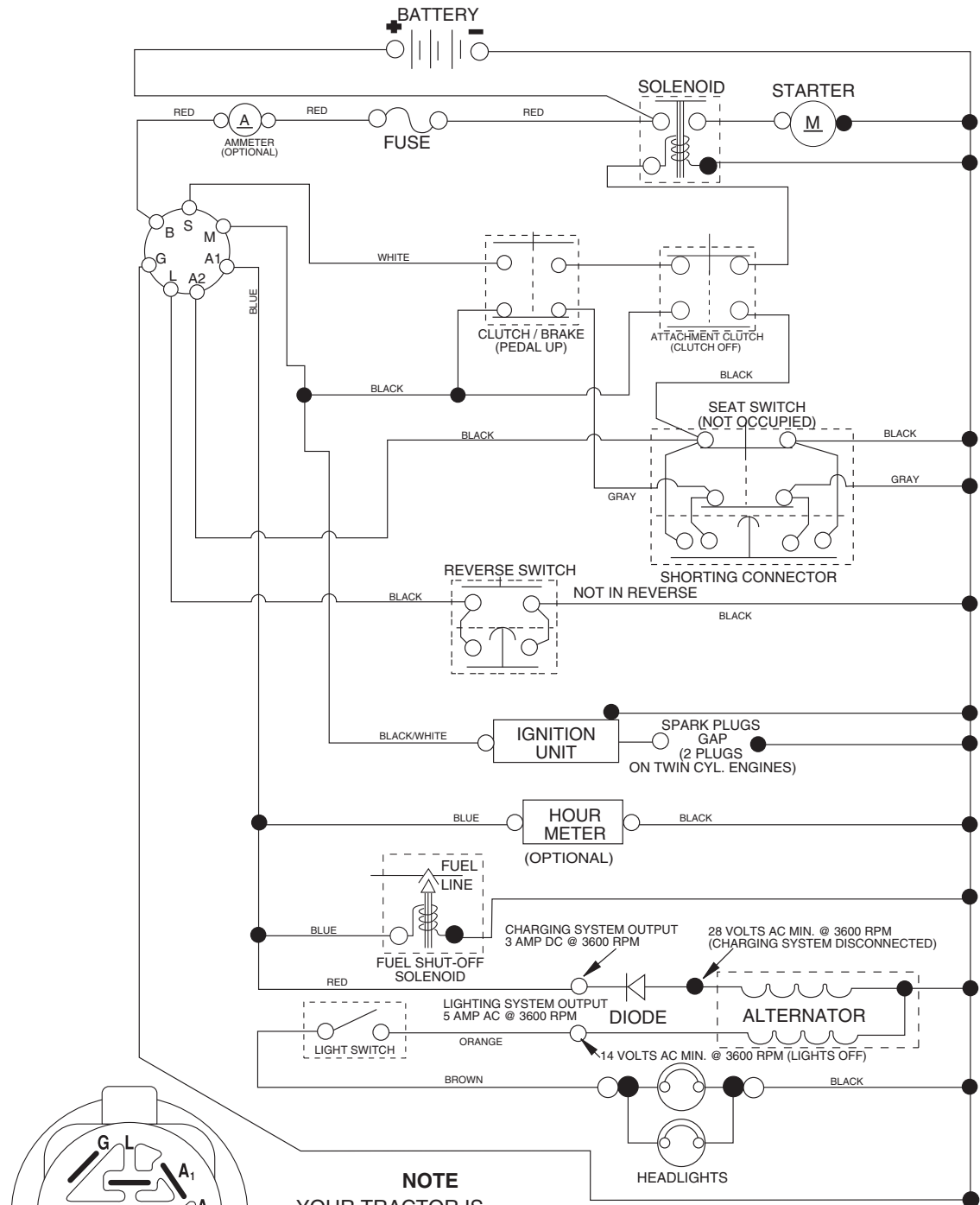


KEY NO.	PART NO.	DESCRIPTION
1	59192	Cap Valve Tire
2	65139	Stem Valve
3	106222X	Tire F T 15 x 6 0 - 6
4	59904	Tube Front
5	106732X421	Rim Asm 6" Front
6	278H	Fitting Grease (Front Wheel Only)
7	9040H	Bearing Flange (Front Wheel Only)
8	106108X421	Rim Asm 8" Rear
9	106268X	Tire R T 18 x 9.5-8 Turf Saver
--	420531	Tire R T 18 x 9.5-8 Turf Saver LT
10	7152J	Tube Rear
11	104757X421	Cap Axle
--	144334	Sealant, Tire ( 10 oz. Tube)

**NOTE:** All component dimensions given in U.S. inches  
1 inch = 25.4 mm

# REPAIR PARTS

## TRACTOR - - MODEL NUMBER PB195H42LT (96042003600), PRODUCT NO. 960 42 00-36 SCHEMATIC



**IGNITION SWITCH**

POSITION	CIRCUIT "MAKE"
OFF	M+G+A1
RUN/OVERRIDE	B+A1
RUN	B+A1 L+A2
START	B + S + A1

**NOTE**  
YOUR TRACTOR IS EQUIPPED WITH A SPECIAL ALTERNATOR SYSTEM. THE LIGHTS ARE NOT CONNECTED TO THE BATTERY, BUT HAVE THEIR OWN ELECTRICAL SOURCE. BECAUSE OF THIS, THE BRIGHTNESS OF THE LIGHTS WILL CHANGE WITH ENGINE SPEED. AT IDLE THE LIGHTS WILL DIM. AS THE ENGINE IS SPEEDED UP, THE LIGHTS WILL BECOME THEIR BRIGHTEST.

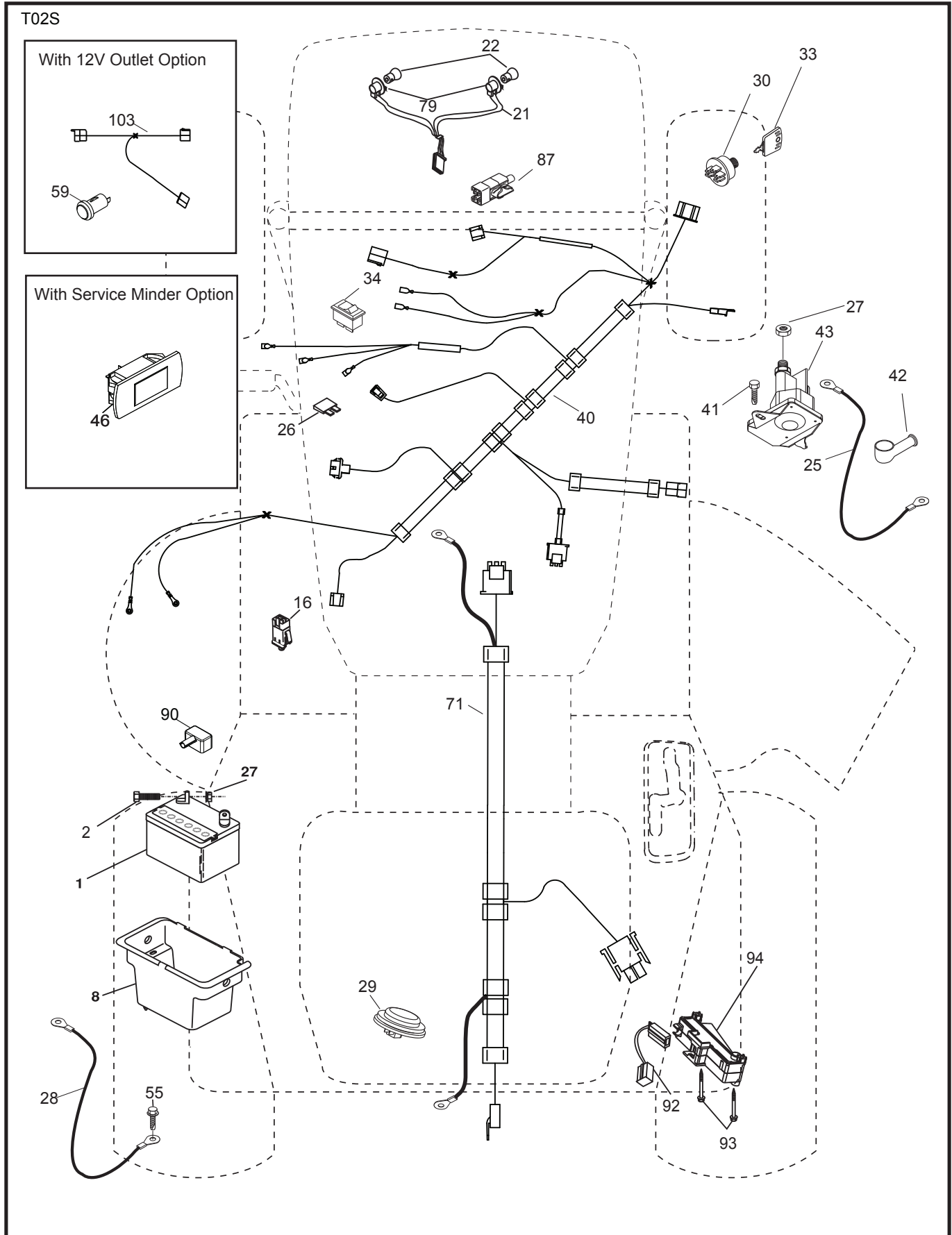
02836



**WIRING INSULATED CLIPS**  
**NOTE:** IF WIRING INSULATED CLIPS WERE REMOVED FOR SERVICING OF UNIT, THEY SHOULD BE REPLACED TO PROPERLY SECURE YOUR WIRING.

# REPAIR PARTS

TRACTOR - - MODEL NUMBER PB195H42LT (96042003600), PRODUCT NO. 960 42 00-36  
ELECTRICAL



# REPAIR PARTS

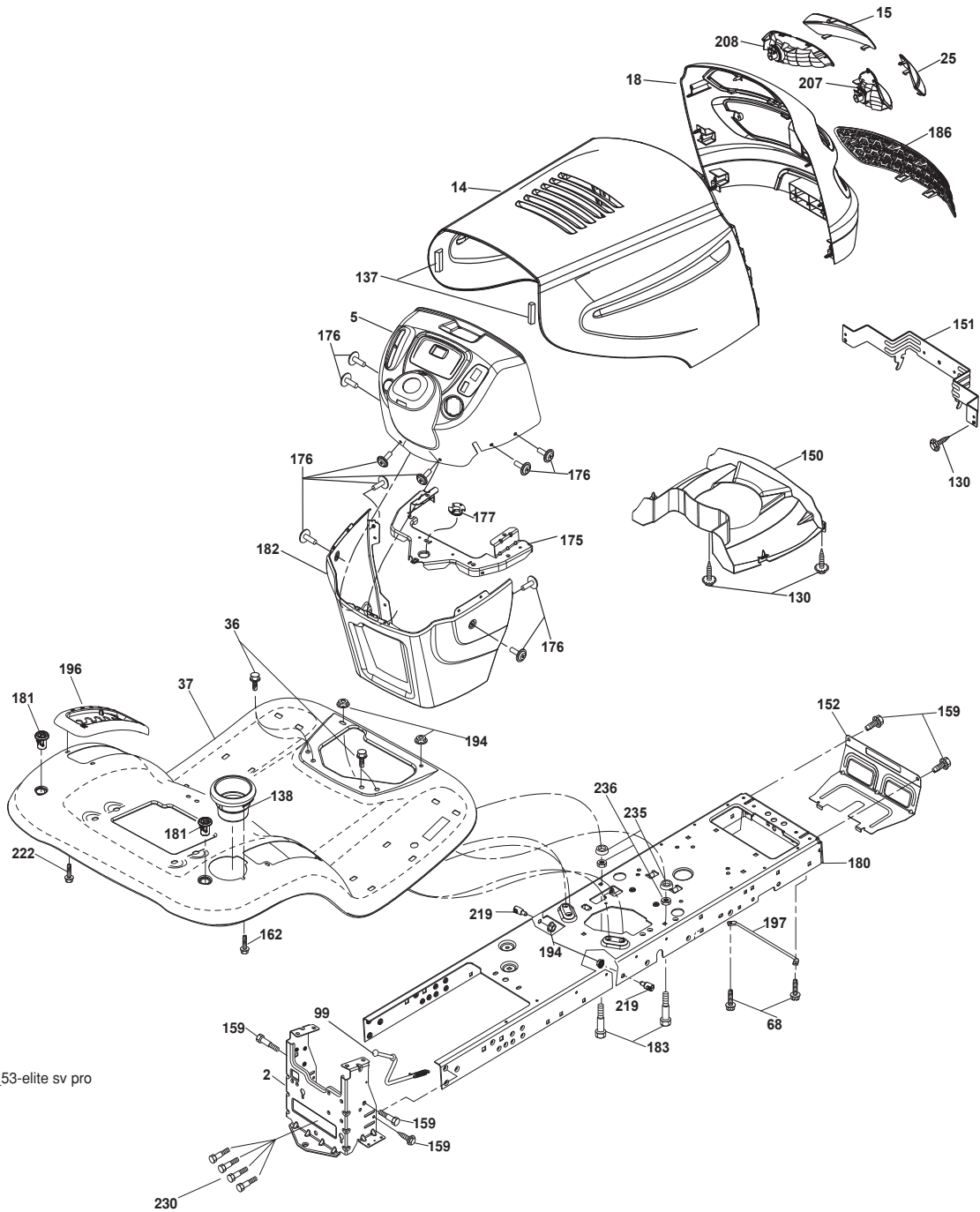
TRACTOR - - MODEL NUMBER PB195H42LT (96042003600), PRODUCT NO. 960 42 00-36  
ELECTRICAL

KEY NO.	PART NO.	DESCRIPTION
1	163465	Battery
2	74760412	Bolt Hex Hd 1/4-20 unc x 3/4
8	193228	Box Battery
16	176138	Switch Interlock
21	183759	Harness Socket Light
22	4152J	Bulb, Light #1156
25	401662	Cable Battery 6 Ga. Red 14.5
26	175158	Fuse
27	73510400	Nut Keps Hex 1/4-20 unc
28	198885	Cable Ground 18" Rear Battery Blk 6 Ga.
29	401545	Switch Seat
30	193350	Switch Ign
33	140401	Key Ign Molded Generic
34	110712X	Switch Light/Reset
40	401098	Harness Ign
41	17720408	Screw 1/4-20 unc x 1/2
42	131563	Cover Terminal Red
43	192507	Solenoid
55	17060512	Screw 5/16-18 x 3/4
71	400449	Harness Ign. Chass.
79	<b>175242</b>	Socket Asm Bulb Twistlock
87	<b>197802</b>	Switch Intrlck Clutch Cable Tx
90	400725	Cover Terminal
92	193465	Harness Pigtail Reverse Switch
93	192540	Screw Plastic 10-14 x 2.0
94	191834	Modual Reverse ROS

**NOTE:** All component dimensions given in U.S. inches  
1 inch = 25.4 mm

# REPAIR PARTS

TRACTOR - - MODEL NUMBER PB195H42LT (96042003600), PRODUCT NO. 960 42 00-36  
CHASSIS



chassis-tex\_53-elite sv pro

# REPAIR PARTS

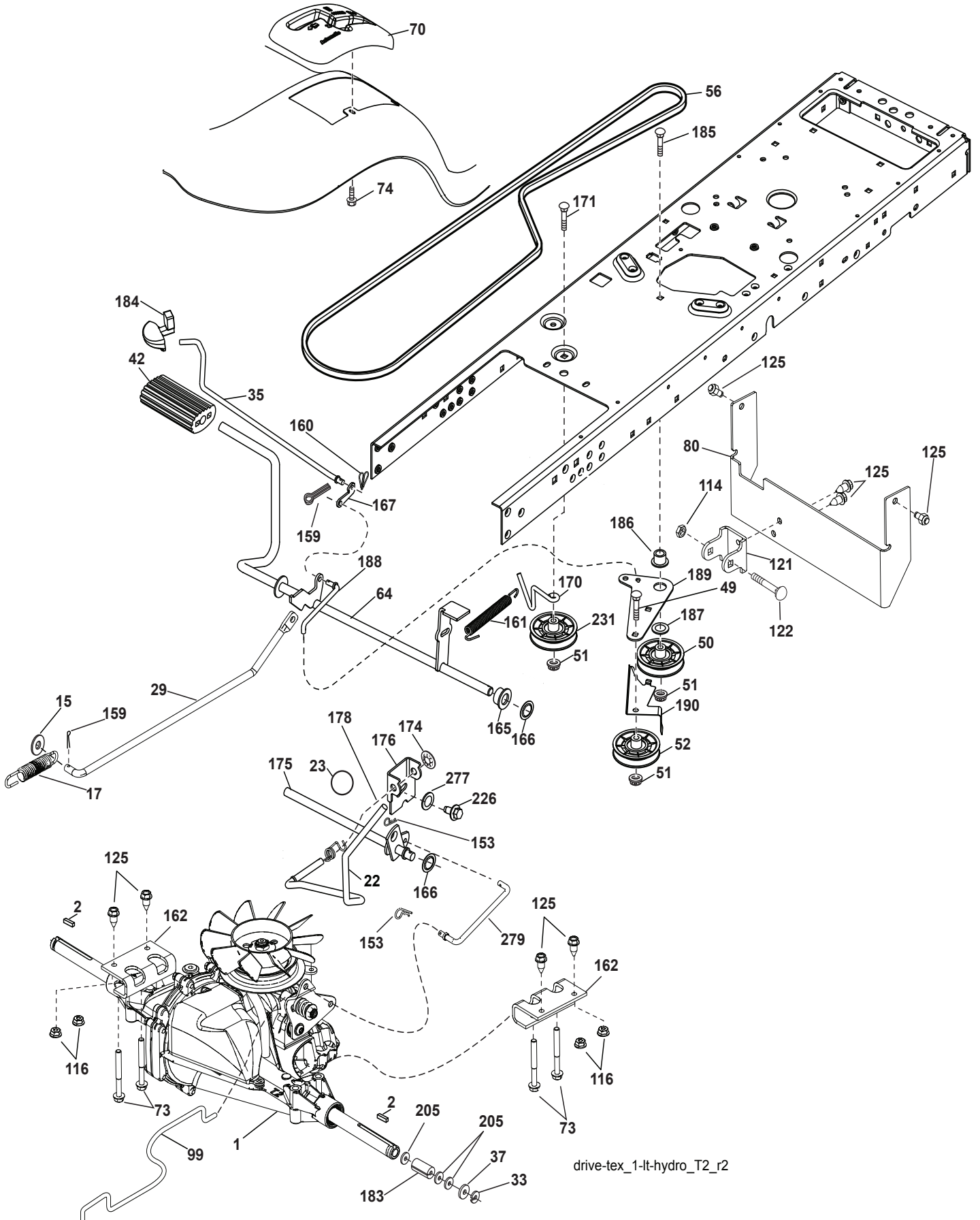
TRACTOR - - MODEL NUMBER PB195H42LT (96042003600), PRODUCT NO. 960 42 00-36  
CHASSIS

KEY NO.	PART NO.	DESCRIPTION
2	194263	Drawbar
5	197783X428	Dash
14	183393X428	Hood
15	183834X599	Lens Grille LH
18	183828	Grille
25	183835X599	Lens Grille RH
36	17060512	Screw 5/16-18 x 3/4
37	193218X428	Fender
68	17490508	Screw Thdrol 5/16-18 x 1/2
99	532408418	Rod Bypass
130	191611	Screw 10 x 3/4 Single Lead-Hex
137	184921	Bumper Hood
138	193224X428	Cupholder
150	184322	Duct Heat Hood
151	407807	Bracket Pivot
152	194329	Shield Browning/Debris
159	17000612	Screw Hexwsh Thdrol 3/8-16 x 3/4
162	142432	Screw Hex Wsh Hi-Lo 1/4 x 1/2
175	193243	Crossmember
176	400776	Screw 10-24 x 5/8 Wshd Qdix
177	195228	Bushing Steering
180	194260	Chassis
181	193102X428	Bushing Mtg. Fender Crgo.
182	193057	Dash Lower
183	74780520	Bolt Fin Hex 5/16-18 x 1-1/4
186	183829X428	Insert Grille
194	73900500	Nut Lock Hex Flange 5/16-18
196	410584	Console Asm. Deck Lift
197	156524	Rod Pivot Chassis
207	183833	Bezel Grille RH
208	183832	Bezel Grille LH
219	195161	Stud Fastener
222	137729	Screw Thd Roll 1/4-20 x 5/8
230	170165	Bolt Shoulder 5/16-18
235	406129	Spacer Fender
236	73930500	Nut center Lock 5/16-18

**NOTE:** All component dimensions given in U.S. inches  
1 inch = 25.4 mm

# REPAIR PARTS

TRACTOR - - MODEL NUMBER PB195H42LT (96042003600), PRODUCT NO. 960 42 00-36  
DRIVE



drive-tex\_1-lt-hydro\_T2\_r2



# REPAIR PARTS

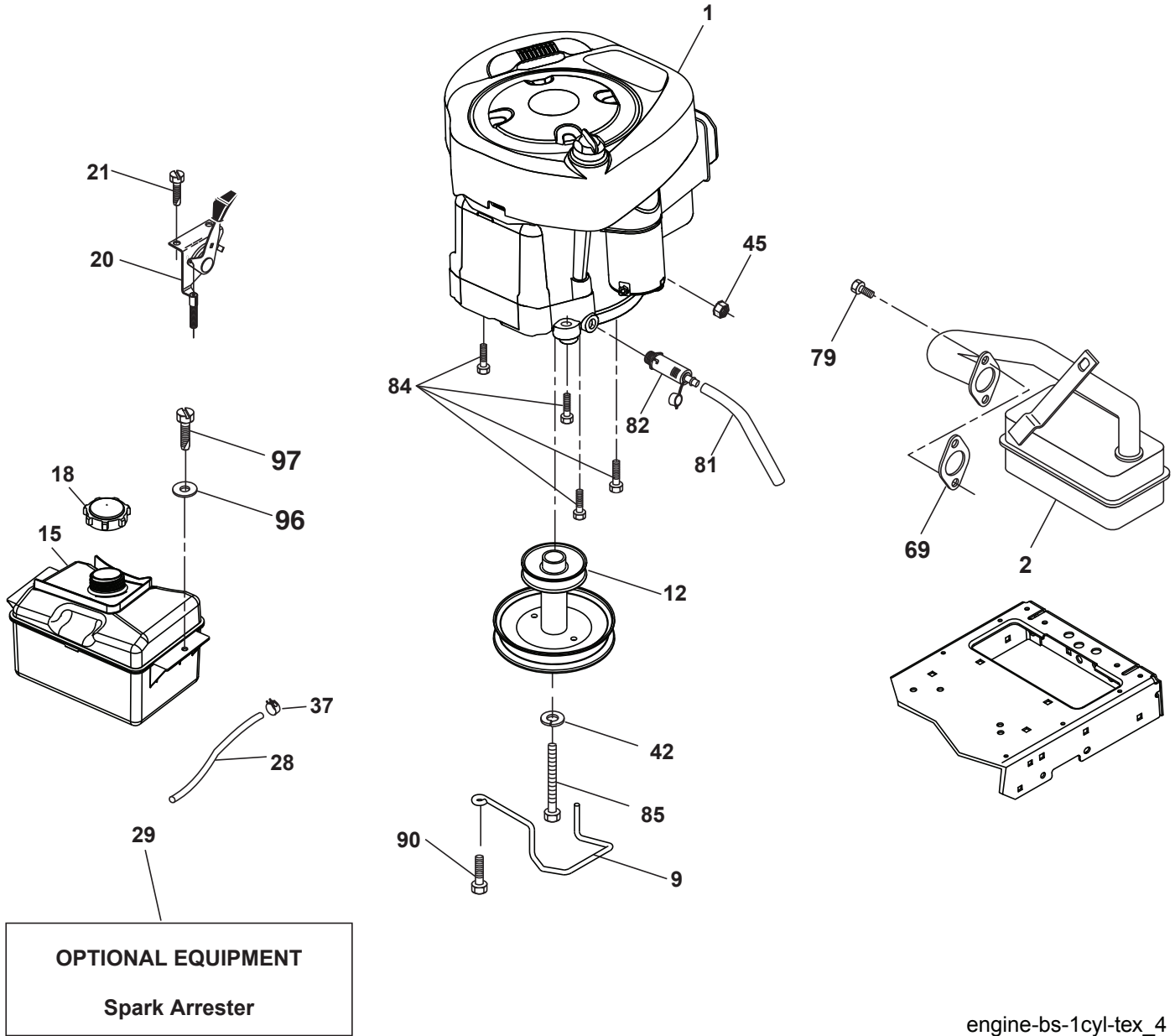
TRACTOR - - MODEL NUMBER PB195H42LT (96042003600), PRODUCT NO. 960 42 00-36  
DRIVE

KEY NO.	PART NO.	DESCRIPTION	KEY NO.	PART NO.	DESCRIPTION
1	-----	Transaxle, Hydro Gear T2 (See Transaxle Breakdown)	159	76020412	Pin Cotter 1/8 x 3/4
2	123583X	Key Square	160	169484	Retainer Clip
15	19131316	Washer 13/32 x 13/16 x 16 Ga.	161	195403	Spring, Return, Clutch
17	197296	Spring, Brake	165	196212	Bushing
22	197660	Rod Shift	166	197290	Nut Push .625
23	409154X421	Knob	167	405257	Latch Brake Parking
29	408391	Rod, Brake	170	194322	Keeper Belt Centerspan
33	12000001	Ring E	171	72110622	Bolt
35	197722	Rod, Brake, Park	174	197289	Nut Push
37	121749X	Washer 25/32 x 1-1/4 x 16 Ga.	175	408539	Shaft Asm Shift
42	8883R	Cover, Foot Pedal	176	196214	Arm Clevis Rod Shift
49	72110614	Bolt	178	197456	Spring Shift
50	194327	Pulley Idler Flat	183	156972	Spacer Axle
51	73900600	Lock Nut 3/8-16	184	198403X505	Handle Parking Brake
52	194326	Idler V-Groove 910" Offset	185	72110620	Bolt
56	125907X	V-Belt, Drive	186	194321	Spacer Retainer
64	196200	Shaft Asm. Pedal Brake Control	187	19133210	Washer
70	193220X428	Console	188	194323	Link Clutch Ground Drive
73	74490544	Bolt Hex 5/16-18 Gr. 5	189	194317	Bellcrank Ground Drive
74	142432	Screw 1/4 x 1/2	190	194318	Keeper Bellcrank Ground Drive
80	408393	Strap Torque	205	121748X	Washer 25/32 x 1-5/8 x 16 Ga.
99	408418	Rod Spring Bypass	226	74780716	Bolt 7/16-14 x 1 Gr. 5
114	73800500	Nut Lock 5/16-18 unc	227	405296	Washer Serrated
116	73900500	Nut Lock Hex Flange 5/16-18	231	407287	Idler V-Groove 1.688" Offset
121	175611	Bracket Strap Torque	279	408538	Link Shift
122	72010520	Bolt 5/16-18 x 2.50			
125	17000512	Screw 5/16-18 x 3/4			
153	4497H	Retainer Spring 1"			

**NOTE:** All component dimensions given in U.S. inches  
1 inch = 25.4 mm

# REPAIR PARTS

TRACTOR - - MODEL NUMBER PB195H42LT (96042003600), PRODUCT NO. 960 42 00-36  
ENGINE



# REPAIR PARTS

TRACTOR - - MODEL NUMBER PB195H42LT (96042003600), PRODUCT NO. 960 42 00-36  
ENGINE

KEY NO.	PART NO.	DESCRIPTION
1	-----	Engine B&S Model No. 31P677
2	137352	Muffler
9	194319	Keeper Belt Engine
12	401985	Pulley Engine
15	407545	Tank Fuel 1.50
18	197725	Cap Asm
20	176636X421	Control Throttle/Choke
21	191611	Screw 10 x 3/4 Single Lead-Hex
28	401137	Fuel Line
29	137180	Spark Arrester Kit
37	123487X	Clamp Hose
42	10040700	Washer Lock 7/16
45	73510400	Nut Keps Hex 1/4-20 unc
69	165291	Gasket
79	192334	Screw Socket Hd 5/16-18 x .75
81	148456	Tube Drain Oil Easy
82	181654	Plug Drain Oil
84	17060620	Screw 3/8-16 x 1-1/4
85	173937	Bolt Hex 7/16-20 x 4 x Gr. 5-1.5
90	17000612	Screw 3/8-16 x 1.0
96	19091416	Washer 9/32 x 7/8 x 16 Ga.
97	17670412	Screw 1/4 - 20 x 3/4

**NOTE:** All component dimensions given in U.S. inches  
1 inch = 25.4 mm

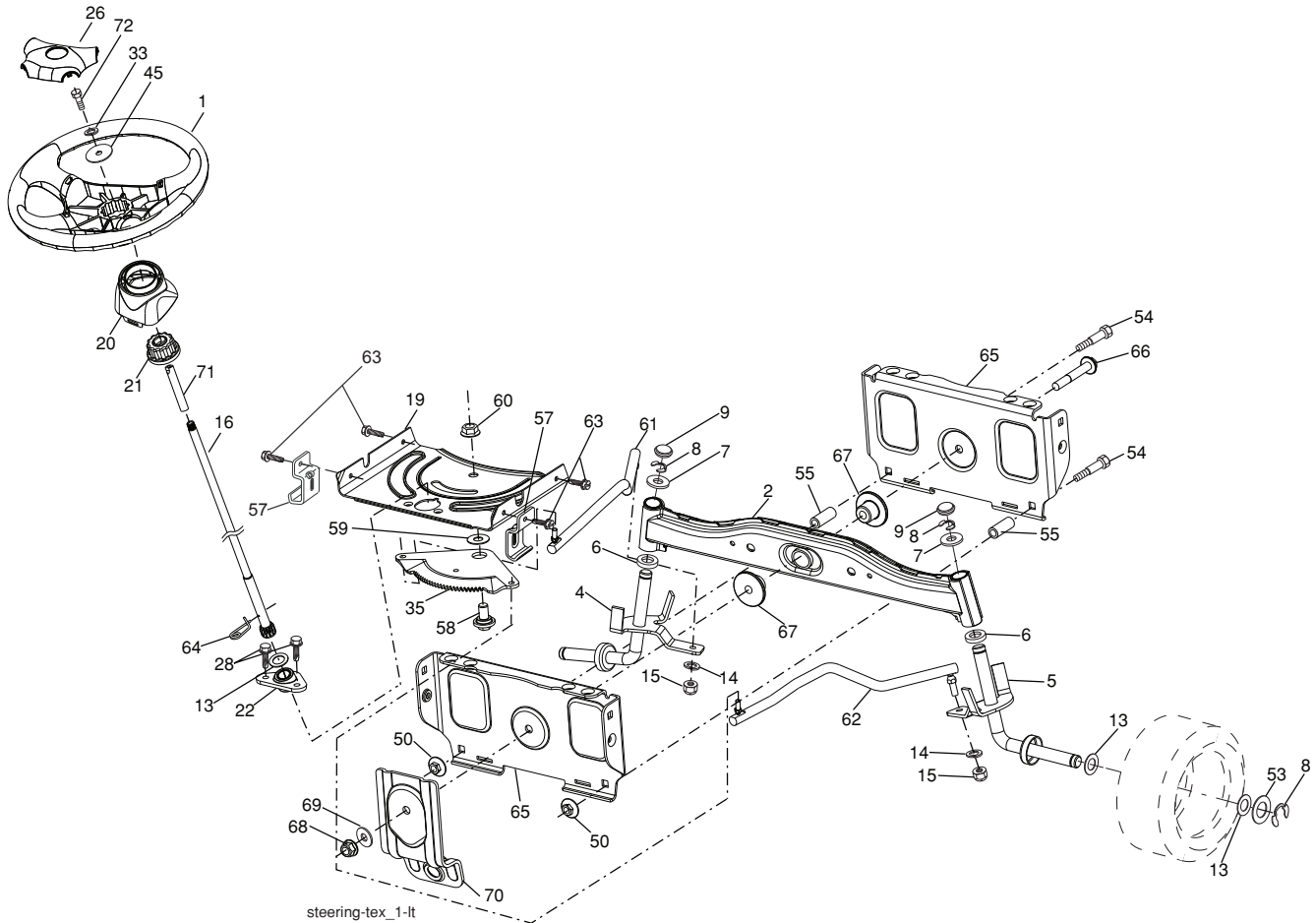
## Engine Power Rating Information

The gross power rating for individual gas engine models is labeled in accordance with SAE (Society of Automotive Engineers) code J11940 (Small Engine Power & Torque Rating Procedure), and rating performance has been obtained and corrected in accordance with SAE J1995 (Revision 2002-5). Actual gross engine power will be lower and is affected by, among other things, ambient operating conditions and engine-to-engine variability. Given both the wide array of products on which engines are placed and the variety of environmental issues applicable to operating the equipment, the gas engine will not develop the rated gross power when used in a given piece of power equipment (actual "on-site" or net horsepower). This difference is due to a variety of factors including, but not limited to, accessories (air cleaner, exhaust, charging, cooling, carburetor, fuel pump, etc.), application limitations, ambient operating conditions (temperature, humidity, altitude), and engine-to-engine variability. Due to manufacturing and capacity limitations, Briggs & Stratton may substitute an engine of higher rated power for this Series engine.

# REPAIR PARTS

TRACTOR - - MODEL NUMBER PB195H42LT (96042003600), PRODUCT NO. 960 42 00-36

## STEERING

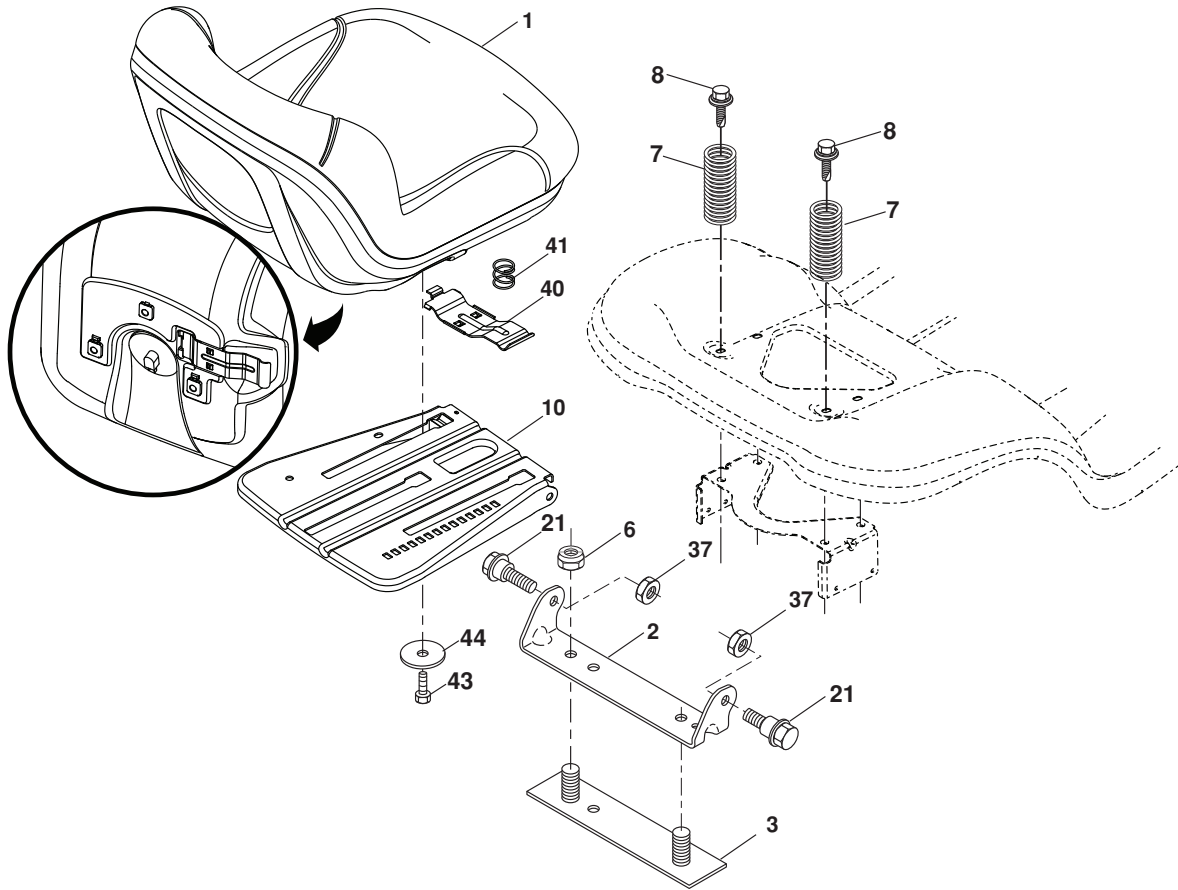


KEY NO.	PART NO.	DESCRIPTION	KEY NO.	PART NO.	DESCRIPTION
1	186093X428	Wheel, Steering	54	74760636	Bolt Hex HS 3/8-16 unc x 2-1/4
2	184706	Axle Asm., Front	55	197636	Spacer Brace Axle
4	403087	Spindle Asm., LH	57	407465	Bracket Upstop
5	403088	Spindle Asm., RH	58	194747	Bolt Shoulder Sector Pivot CFM
6	6266H	Bearing, Race Thrust Harden	59	194748	Washer Thrust Sector Steering
7	121748X	Washer 25/32 x 1-5/8 x 16 Ga.	60	73971000	Nut Flange Lock 5/8-11
8	12000029	Ring, Klip #T5304-75	61	194740	Draglink, LH
9	121232X	Cap, Spindle	62	194741	Draglink, RH
13	121749X	Washer 25/32 x 1-1/4 x 16 Ga.	63	17000512	Screw 5/16-18 x 3/4
14	10040600	Washer Lock 3/8	64	199849	Retainer Clip Spring Steering
15	73540600	Nut, Crown Lock 3/8-24 unf	65	194734	Brace Axle Front
16	196074	Shaft Steering	66	71020748	Bolt Hex Fghd 7/16-14 x 3 Serr
19	194729	Plate Steering	67	194737	Bushing PM Front Axle
20	198375X428	Boot, Steering	68	73900700	Nut Lock Flange 7/16-14 Gr. 5
21	186737	Adapter, Wheel Steering	69	199162	Washer 1.5 x .505 x .118
22	194845	Bushing, Strg. Blk	70	196197	Bracket Deck Susp. Front
26	186095X428	Insert, Wheel Steering	71	196075	Shaft Ext. Steering
28	17000612	Screw 3/8-16 x 3/4	72	74780572	Bolt 5/16-18 x 4.5 Gr. 5
33	10040500	Washer Lock 5/16			
35	194732	Gear, Sector Plate			
45	19113812	Washer 11/32 x 2-3/8 x 12 Ga.			
50	73900600	Nut Lock Flg 3/8-16 unc			
53	188967	Washer Hardened .793 x 1.637 x .060			

**NOTE:** All component dimensions given in U.S. inches  
1 inch = 25.4 mm

# REPAIR PARTS

TRACTOR - - MODEL NUMBER PB195H42LT (96042003600), PRODUCT NO. 960 42 00-36  
SEAT



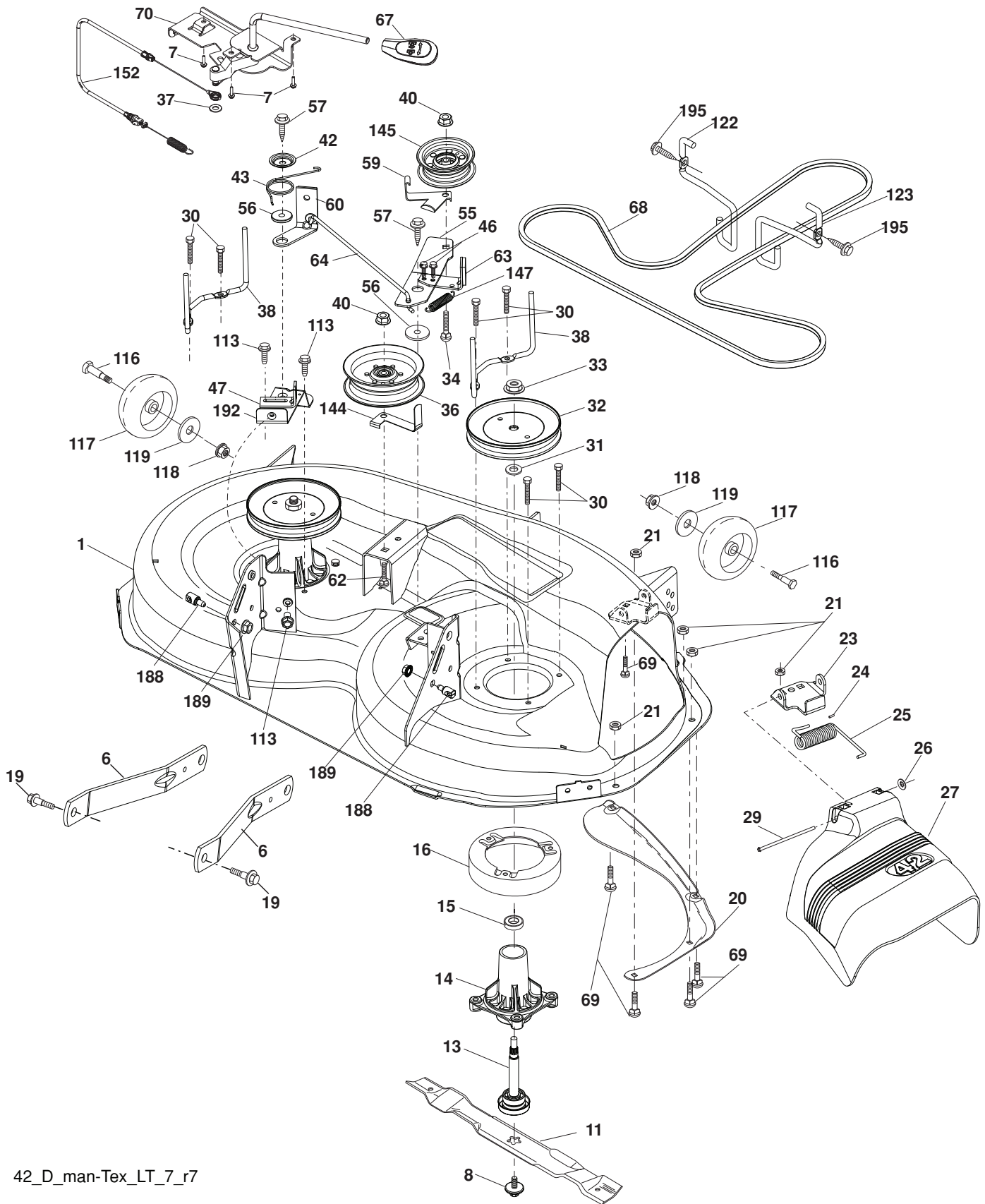
seat-tex\_7-vgt

KEY NO.	PART NO.	DESCRIPTION	KEY NO.	PART NO.	DESCRIPTION
1	406623	Seat	40	197661	Handle Slide
2	180166	Bracket Pivot Fender	41	198200	Spring Latch
3	140675	Strap, Asm Fender	43	74760612	Bolt 3/8-16 unc x 3/4
6	73800600	Nut, Lock w/Ins. 3/8-16 unc	44	19133812	Washer 13/32 x 2 3/8 x 12 Ga.
7	124181X	Spring, Seat Cprsn			
8	171877	Bolt 5/16-18 unc x 3/4 w/Sems			
10	196977	Pan, Seat			
21	171852	Bolt, Shoulder 5/16-18			
37	73800500	Nut, Lock 5/16-18 unc			

**NOTE:** All component dimensions given in U.S. inches  
1 inch = 25.4 mm

# REPAIR PARTS

TRACTOR - - MODEL NUMBER PB195H42LT (96042003600), PRODUCT NO. 960 42 00-36  
MOWER DECK



42\_D\_man-Tex\_LT\_7\_r7

# REPAIR PARTS

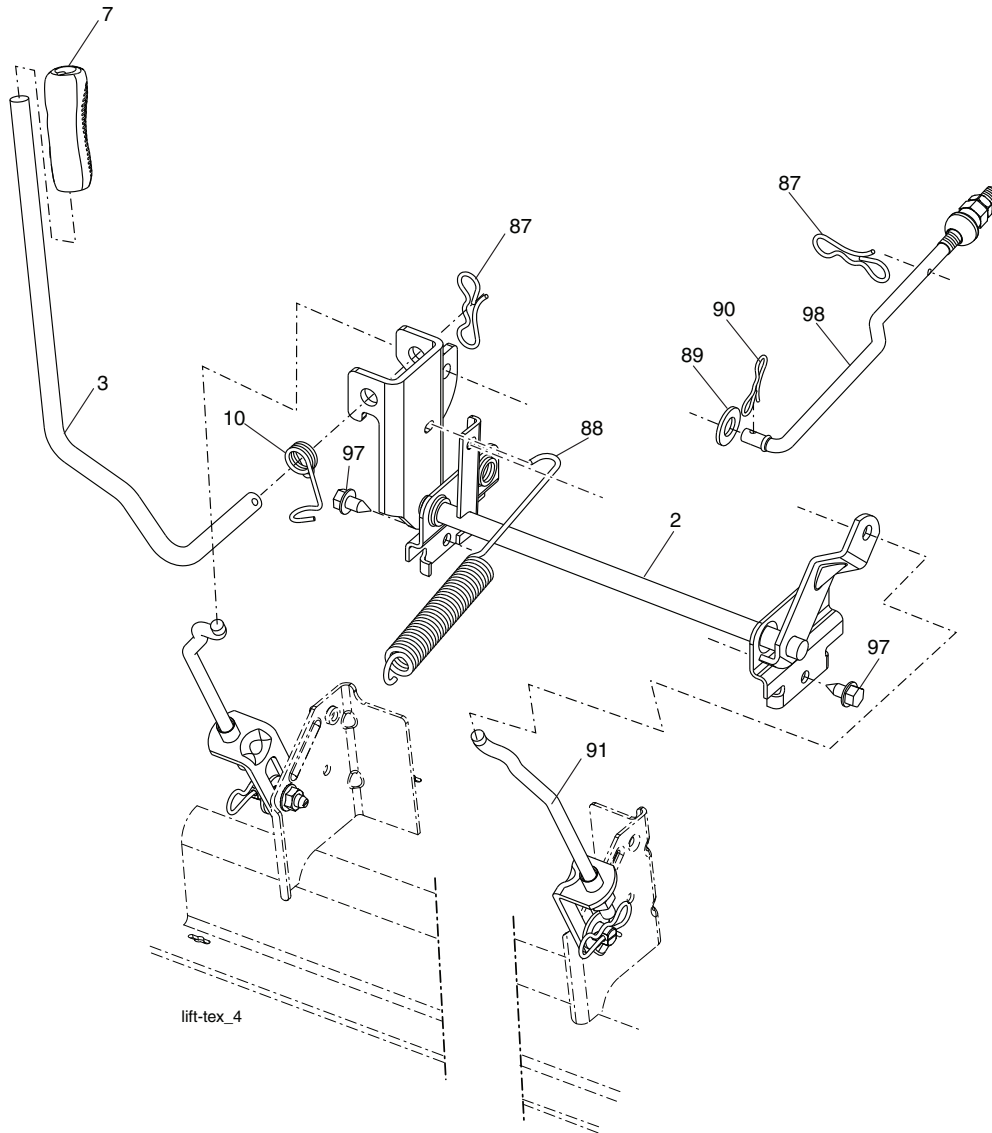
TRACTOR - - MODEL NUMBER PB195H42LT (96042003600), PRODUCT NO. 960 42 00-36  
MOWER DECK

KEY NO.	PART NO.	DESCRIPTION	KEY NO.	PART NO.	DESCRIPTION
1	196495X421	Mower Housing	56	199092	Spacer, Retainer
6	195186	Arm Suspension	57	17000616	Screw Hexwsh Thd 3/8-16 x 1
7	191611	Screw 10 x 3/4 Single Hex	59	141043	Guard, Tuv Idler (94)
8	193003	Bolt/Washer Asm 7/16-20 unf	60	197402	Arm Brake Mower
--	139775	Blade, 42" Mulching Premium (For better wear when mulching)	62	72110616	Bolt Rdhd Sqnk 3/8-16 unc x 2
11	138971	Blade, 42" Hi-Lift (For bagging or discharge)	63	199478	Arm Brake Mower
--	134149	Blade, 42" Mulching Std (For mulching mowers only)	64	199918	Linkage Brake
13	192872	Shaft Assembly, Mandrel	67	198398X421	Handle, Clutch Cable
14	187281	Housing, Mandrel	68	197253	V-Belt
15	110485X	Bearing, Ball, Mandrel	69	72140505	Bolt Rdhd Sqnk 5/16-18 x 5/8
16	174493	Stripper, Mower Deck	70	198332	Clutch Asm. Manual
19	196539	Bolt, Shoulder	113	17000510	Screw 5/16-18
20	159770	Baffle, Vortex	116	4898H	Bolt
21	73680500	Nut, Crownlock 5/16-18 unc	117	188606	Wheel Gauge
23	192557	Bracket, Deflector	118	73930600	Nut Lock 3/8-16 unc
24	105304X	Cap, Sleeve	119	19121414	Washer 3/8-7/8 x 14 Ga.
25	197026	Spring, Torsion, Deflector	122	197258	Keeper Belt Eng. LH
26	110452X	Nut, Push	123	197259	Keeper Belt Eng. RH
27	193108X428	Shield, Deflector	144	199204	Keeper Belt
29	131491	Rod, Hinge	145	177968	Pulley Idler
30	173984	Screw Thdrol Rolling Wsh Hd	147	401971	Spring Return
31	187690	Washer, Spacer	152	408714	Cable Clutch Manual w/Spr.
32	195945	Pulley, Mandrel	188	195161	Stud Fastener
33	400234	Nut, Toplock, Flanged	189	73900500	Nut Lock Hex Flange
34	72110612	Bolt Carr Sh. 3/8-16 x 1-1/2 Gr. 5	192	197260	Bracket Brake Stand LH
36	196106	Pulley, Idler, Flat	195	17000612	Screw Hexwsh Thdr 3/8-16 x 3/4
37	19131316	Washer 13/32 x 13/16 x 16 Ga.	--	192870	Mandrel Assembly (Includes housing, shaft assembly, and bearing only - pulley/nut/washer and blade bolt/washers not included)
38	199189	Keeper Belt LH Mandrel	--	402942	Replacement Mower, Complete
40	73900600	Nut, Lock Flg. 3/8-16 unc			
42	198410	Spring Torsion Brake			
43	197256	Spring Torsion Retainer			
46	137729	Screw Thd Roll 1/4-20 x 5/8			
47	197250	Bracket Clutch Cable			
55	197249	Arm, Idler			

**NOTE:** All component dimensions given in U.S. inches  
1 inch = 25.4 mm

# REPAIR PARTS

TRACTOR - - MODEL NUMBER PB195H42LT (96042003600), PRODUCT NO. 960 42 00-36  
MOWER LIFT



KEY NO.	PART NO.	DESCRIPTION
2	195223	Shaft Asm., Lift
3	195231	Lever Asm., Lift RH
7	196492X421	Grip, Lever
10	196314	Spring Torsion
87	194209	Pin Cotter 7/16 Bow Tie Lock
88	195303	Spring Lift Assist
89	19191912	Washer Clear Zinc

KEY NO.	PART NO.	DESCRIPTION
90	194208	Pin Cotter 5/16 Bow Tie Lock
91	195181	Link Lift Susp Mower Rear
97	17060612	Screw 3/8-16 x .75 Smgml Tap/R.Z
98	195270	Link Lift Susp. Front Mower

**NOTE:** All component dimensions given in U.S. inches  
1 inch = 25.4 mm



---

# SERVICE NOTES

---

**Poulan PRO**

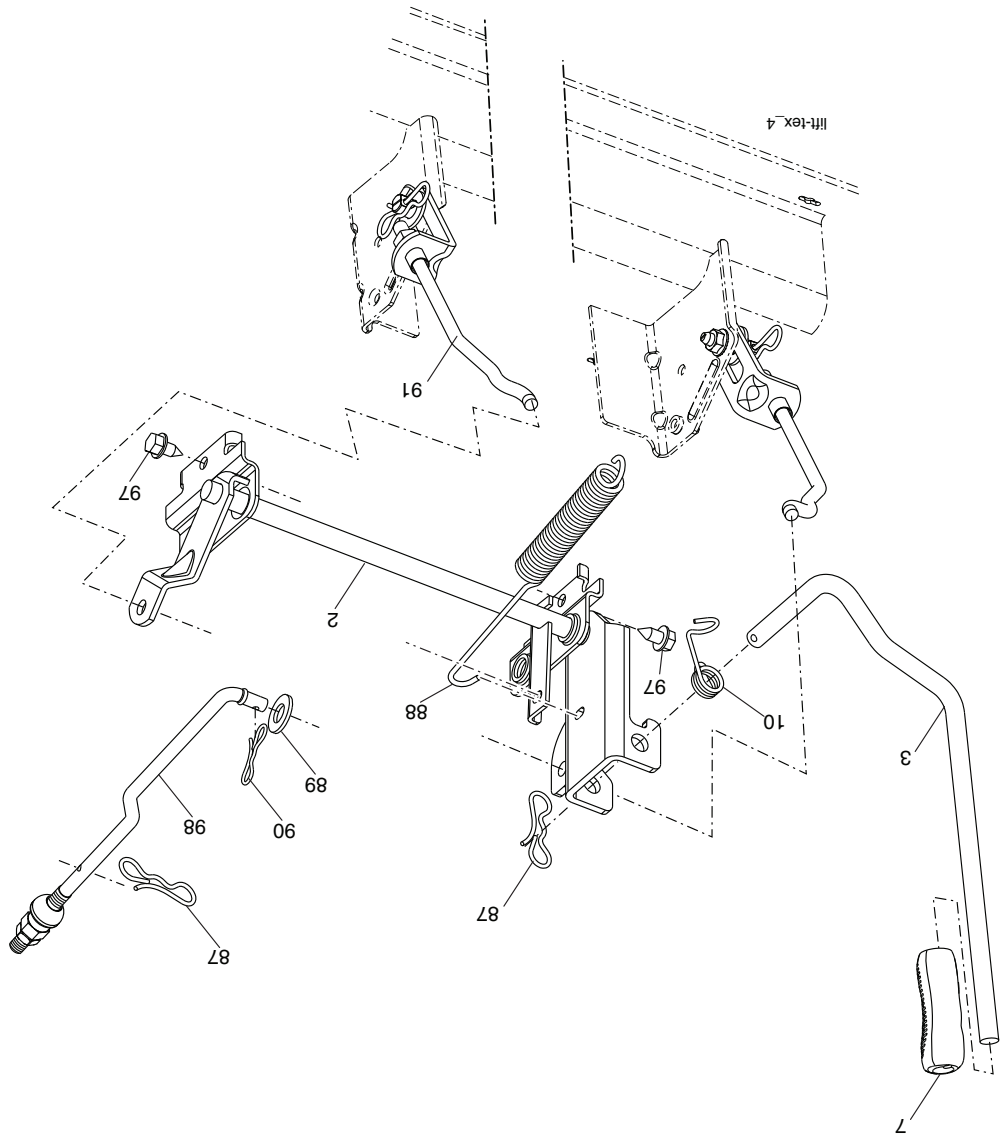
**Poulan PRO**

---

# REMARQUES D'ENTRETIEN

---

TRACTEUR -- NUMÉRO DE MODÈLE PB195H42LT (96042003600), NO. DE PRODUIT 960 42 00-36  
LEVAGE DE TONDEUSE



NO. DE PIÈCE	DESCRIPTION
2	L'Ascenseur d'assemblée d'arbre
3	D'Ascenseur d'assemblée de
7	levier C.D.
10	La poigne, le Levier
196492X421	Bondir la Torsion
196314	Epingler la Goupille fendue 7/16
87	Serrure de Noeud-papillon
195303	Bondir Assis d'Ascenseur
88	La rondelle Eclaircit le Zinc
19191912	Epingler la Goupille fendue 5/16
194208	Serrure de Noeud-papillon

NO. DE PIÈCE	DESCRIPTION
91	Relier l'Arrière de Tondeuse à gazon de Susp d'Ascenseur
195181	Relier la Tondeuse à gazon d'Ascenseur
97	Vis 3/8-16 x .75
17060612	Relier la Tondeuse à gazon de Suspension
195270	d'Ascenseur

**REMARQUE:** Toutes les dimensions de composant sont données en pouces E.-U. -- 1 pouce = 25,4 mm.

TRACTEUR -- NUMÉRO DE MODÈLE PB195H42LT (96042003600), NO. DE PRODUIT 960 42 00-36  
 CARTER DE TONDEUSE

NO. DE DÉ	REF. PIÈCE	DESCRIPTION	NO. DE DÉ	REF. PIÈCE	DESCRIPTION
1	196495X421	Logement de tondeuse à gazon	55	197249	Le bras, la Poulie de tension
6	195186	Armer la Suspension	56	199092	Plus spatial, de retenue
7	191611	Vis 10 x 3/4 Sort seul	57	17000616	Vis 3/8-16 x 1
8	193003	Boulon/Rondelle 7/16-20 unF	59	141043	Garde, la Poulie de tension de Tuv (94)
--	139775	La lame, 42" Paillet la Prime (Pour mieux l'usure quand paille)	60	197402	Armer la Tondeuse à gazon de Frein
11	138971	La lame, 42" Salut-Soulève (Pour revient ou décharge)	62	72110616	Boulon 3/8-16 unc x 2
--	134149	La lame, 42" Paillet Std (Pour paille des tondeuses à gazon seulement)	63	199478	Armer la Tondeuse à gazon de Frein
13	192872	Assemblée d'arbre, Mandrel	64	199918	Frein de lien
14	187281	Logement, Mandrel	67	198398X421	Poignée, le Câble De Commande
15	110485X	Maintien, la Balle, Mandrel	68	197253	D'embranchage
16	174493	Démouleuse, le Pont de Tondeuse à gazon	69	72140505	V-ceinture
19	196539	Boulon, Epaule	70	198332	Saisir le Manuel d'Assemblée
20	159770	Confondre, le Tourbillon	69	72140505	Boulon 5/16-18 x 5/8
21	73680500	EcroU, unc de 5/16-18	70	198332	Saisir le Manuel d'Assemblée
22	192557	Crochet, le Défecteur	68	197253	V-ceinture
23	192557	Crochet, le Défecteur	69	72140505	Boulon 5/16-18 x 5/8
24	105304X	Casquette, la Manche	70	198332	Saisir le Manuel d'Assemblée
25	197026	Ressort, la Torsion, le Défecteur	68	197253	D'embranchage
26	110452X	EcroU, la Poussee	69	72140505	Boulon 5/16-18 x 5/8
27	193108X428	Protection, le Défecteur	70	198332	Saisir le Manuel d'Assemblée
29	131491	TringLe, le Gond	68	197253	D'embranchage
30	173984	Vis	69	72140505	Boulon 5/16-18 x 5/8
31	187690	Rondelle, Plus spatial	70	198332	Saisir le Manuel d'Assemblée
32	195945	Poulie, Mandrel	68	197253	D'embranchage
33	400234	EcroU	69	72140505	Boulon 5/16-18 x 5/8
34	72110612	Boulon Carr 3/8-16 x 1-1/2 Gr. 5	70	198332	Saisir le Manuel d'Assemblée
36	196106	Poulie de tension	68	197253	D'embranchage
37	19131316	Rondelle 13/32 x 13/16 x 16 Ja.	69	72140505	Boulon 5/16-18 x 5/8
38	199189	Gardien Ceinture C.G. Mandrel	70	198332	Saisir le Manuel d'Assemblée
40	73900600	EcroU, la Serrure Fig. 3/8-16 unc	68	197253	D'embranchage
42	198410	Bondir le Frein	69	72140505	Boulon 5/16-18 x 5/8
43	197256	Bondir la Torsion de retenue	70	198332	Saisir le Manuel d'Assemblée
46	137729	Vis 1/4-20 x 5/8	68	197253	D'embranchage
47	197250	Support le Câble De Commande	69	72140505	Boulon 5/16-18 x 5/8

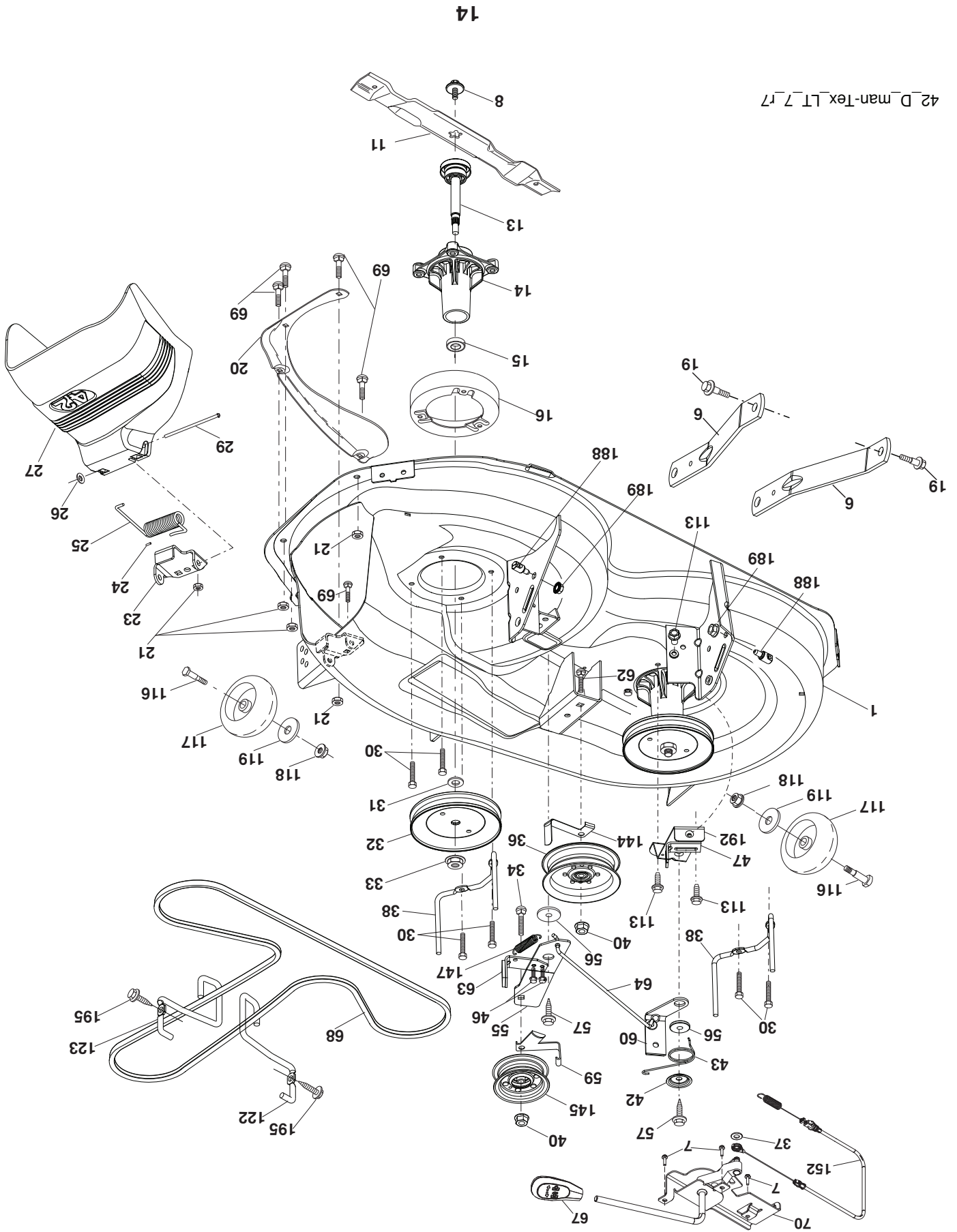
**REMARQUE:** Toutes les dimensions de composant sont données en pouces E.-U. -- 1 pouce = 25,4 mm.

Le bras, la Poulie de tension  
 Plus spatial, de retenue  
 Vis 3/8-16 x 1  
 Garde, la Poulie de tension de Tuv (94)  
 Armer la Tondeuse à gazon de Frein  
 Boulon 3/8-16 unc x 2  
 Armer la Tondeuse à gazon de Frein  
 Frein de lien  
 Poignée, le Câble De Commande  
 D'embranchage  
 V-ceinture  
 Boulon 5/16-18 x 5/8  
 Saisir le Manuel d'Assemblée  
 Vis 5/16-18  
 Boulon  
 Pousser la jauge  
 Verrouiller L'ecrou 3/8-16 unc  
 Rondelle 3/8-7/8 x 14 Ja.  
 Moteur de Ceinture de gardien C.G.  
 Moteur de Ceinture de gardien C.D.  
 Ceinture de gardien  
 Poulie de tension de poulie  
 Bondir le Retour  
 Câbler le Manuel d'Embranchage  
 Clouter Fastener  
 Bride de Sort de Serrure d'ecrou  
 Support C.G. de Position de Frein  
 Vis 3/8-16 x 3/4  
 Ensemble du mandrin (Inclut boîtier, ensemble arbe, et palier seulement - poulie/écrou/rondelle et lame, bou- lon/rondelle ne pas inclut)  
 La Tondeuse à gazon de remplace- ment, Completier

TRACTEUR - - NUMÉRO DE MODÈLE PB195H42LT (96042003600), NO. DE PRODUIT 960 42 00-36

CARTER DE TONDEUSE

42\_D\_man-Tex\_LT\_7.r7



14

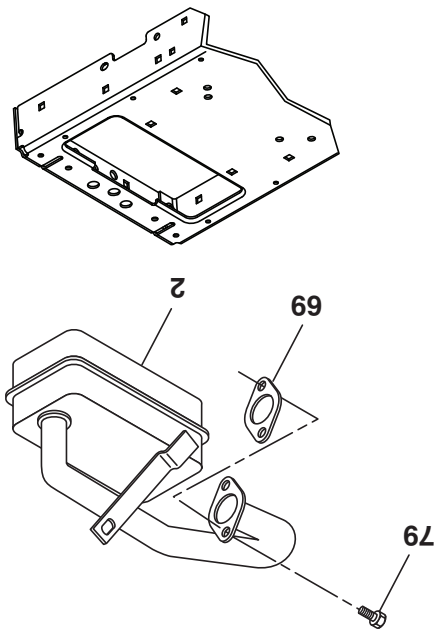
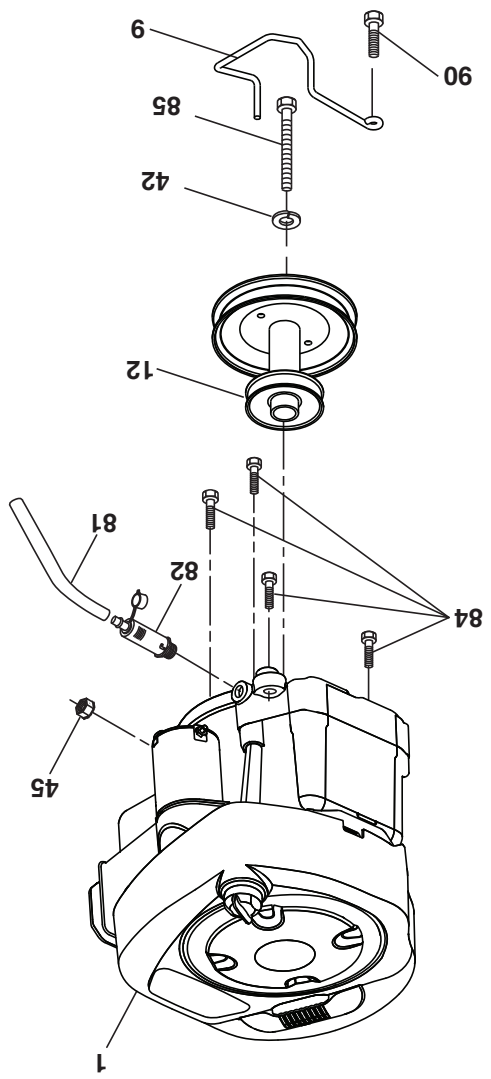
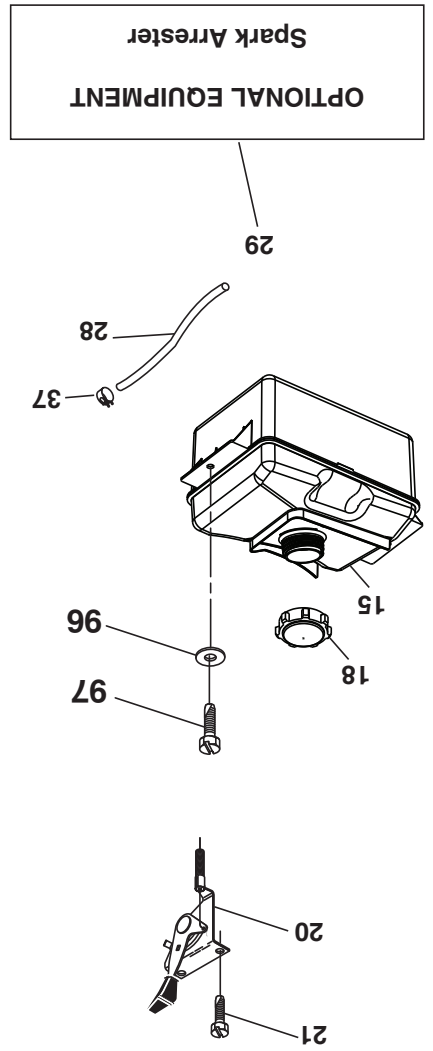
NO. DE DÉ	NO. DE RÉF. PIÈCE	DESCRIPTION
1	----	Moteur B&S Model No. 31P677
2	137352	Silencieux
9	194319	Moteur de Ceinture de gardien
12	401985	Moteur de pompe
15	407545	Carburant de réservoir 1.50
18	197725	Platonner Asembly
20	176636X421	Etrangle/Busse de contrôle
21	191611	Vis 10 x 3/4 Premier-Sort seul
28	401137	Alimenter la Ligne
29	137180	Allumer la Trousse de Arrêter
37	123487X	Serrer le Tuyau
42	10040700	Serrure de rondelle 7/16
45	73510400	Sort de Keps d'ecrou 1/4-20 unc
69	165291	Joint
79	192334	Visser la Douille Hd 5/16-18 x .75
81	148456	Pétrole d'Egout de tube Facile
82	181654	Boucher le Pétrole d'Egout
84	17060620	Vis 3/8-16 x 1-1/4
85	173937	Boulon H 7/16-20 x 4 x Gr. 5-1.5
90	17000612	Vis 3/8-16 x 1.0
96	19091416	Rondelle 9/32 x 7/8 x 16 Ja.
97	17670412	Vis 1/4 - 20 x 3/4

**REMARQUE:** Toutes les dimensions de composant sont données en pouces E.-U. -- 1 pouce = 25,4 mm.

## L'INFORMATION DE CLASSEMENT DE POUVOIR DE MOTEUR

Le pouvoir brut évaluant pour les modèles de moteur de gaz individuels est conformément étiqueté à SAE (la Société d'Ingénieurs Automoteurs) le code J1 1940 (le Petit Pouvoir de Moteur & le Moment de torsion Evaluant la Procédure), et l'exécution de classement a été obtenue et a été corrigée conformément à SAE J1995 (la Révision 2002-5). Le véritable pouvoir de moteur brut sera plus bas et est affecté par, entre autres choses, les conditions d'opération ambiantes et la variété de problèmes écologiques applicables à l'opération de l'équipement, le moteur de gaz ne développera pas le pouvoir de grosse évalué quand utilisé dans un morceau donné d'équipement de pouvoir (la puissance véritable, « sur place » ou nette). Cette différence est en raison d'une assortment de facteurs inclut, mais pas limité à, les accès-soies (le nettoyeur d'air, l'échappement, charger, le refroidissement, le carburateur, la pompe de carburant, etc.), les limitations d'application, les conditions d'opération ambiantes (la température, l'humidité, l'altitude), et le moteur-à-la variabilité de moteur. En raison des limitations de fabrication et capacité, Briggs & Stratton peut substituer un moteur de plus haut pouvoir évalué pour ce moteur de Feuilleton.

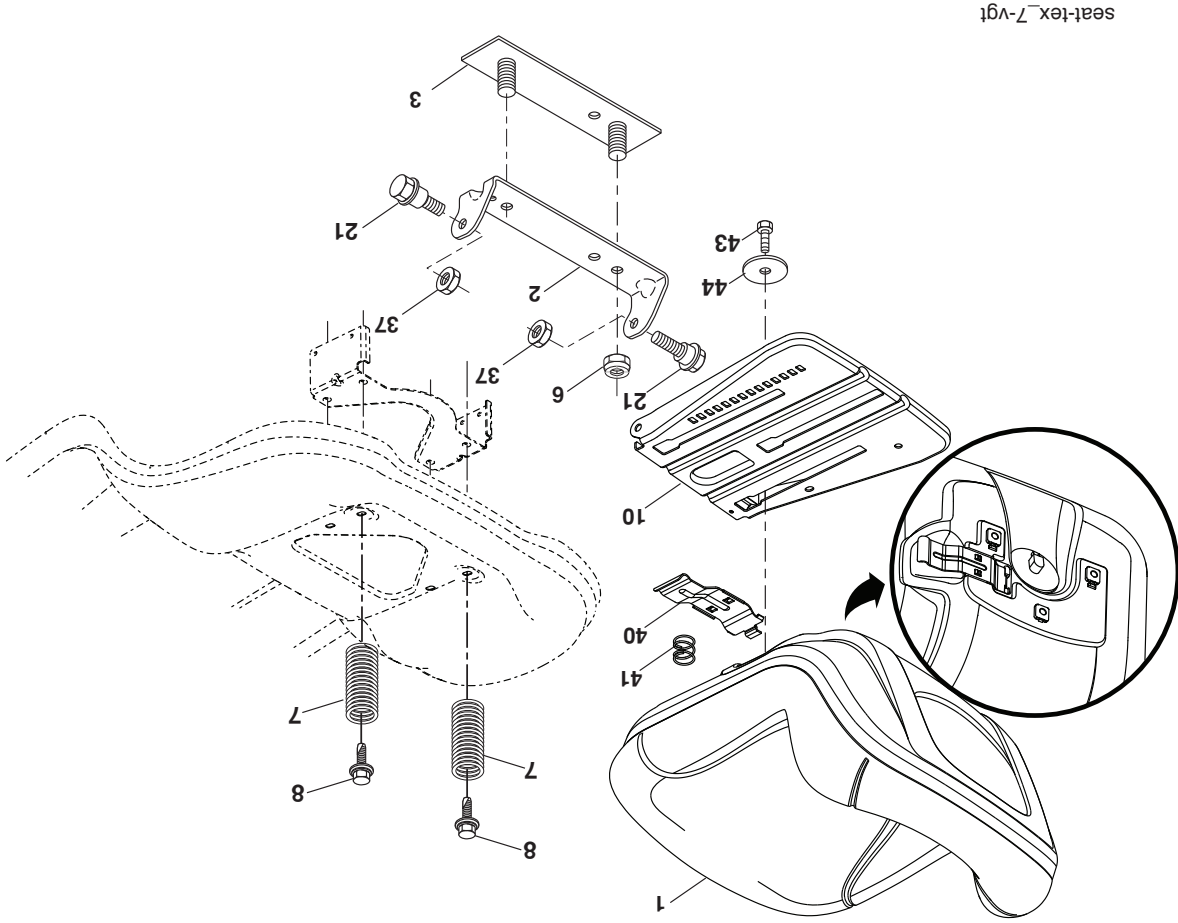




engine-bs-1cyl-tex\_4

TRACTEUR - - NUMÉRO DE MODÈLE PB195H42LT (96042003600), NO. DE PRODUIT 960 42 00-36

ENSEMBLE DU SIÈGE



seat-tex\_7-vgt

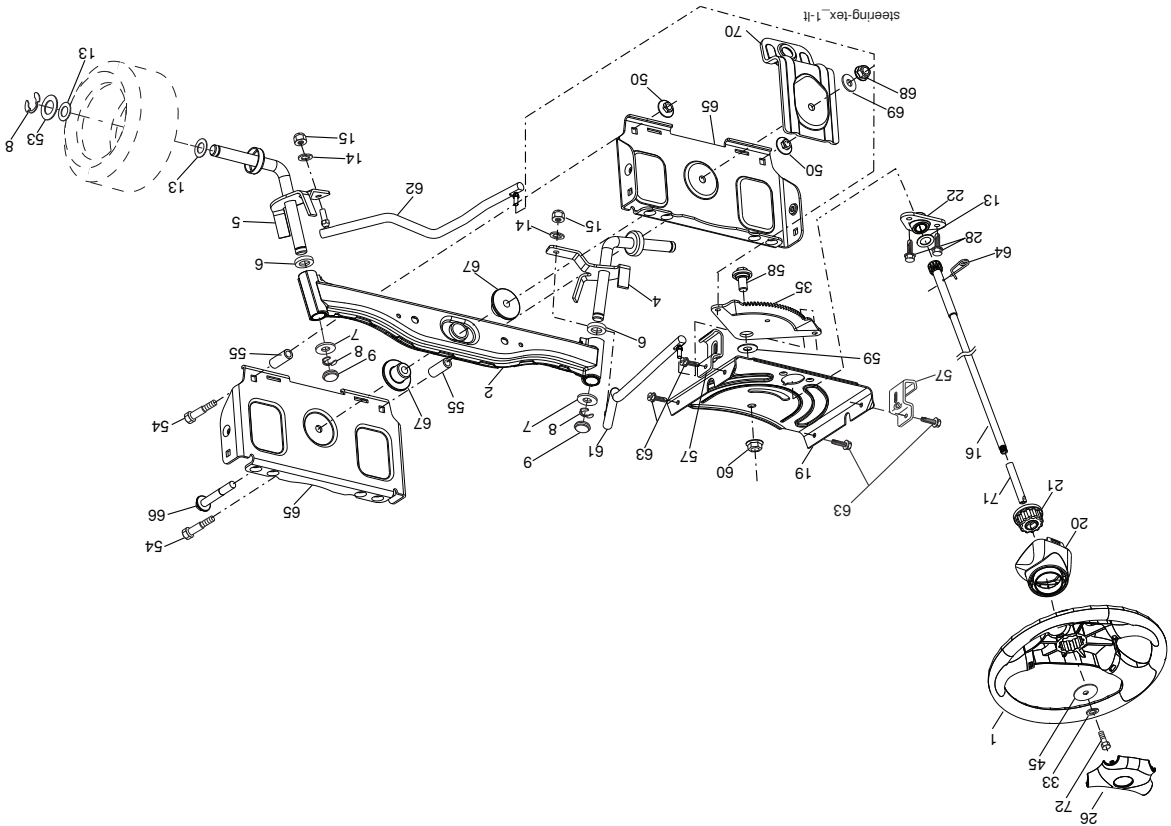
**REMARQUE:** Toutes les dimensions de composant sont données en pouces E.-U. -- 1 pouce = 25,4 mm.

NO. NO.	DÉ DE	REF. PIÈCE	DESCRIPTION
37	73800500	197661	Ecrou, la Serrure 5/16-18 unc
40	197661	198200	Contrôler la Chute
41	198200	74760612	Bondir le Loquet
43	74760612	19133812	Boulon 3/8-16 unc x 3/4
44	19133812		Rondelle 13/32 x 2 3/8 x 12 Ga.

NO. NO.	DÉ DE	REF. PIÈCE	DESCRIPTION
1	406623		Chaise
2	180166		Support le Pare-chocs de Pivot
3	140675		Sangler, le Pare-chocs de Ensemble
6	73800600		Verrouiller L'ecrou 3/8-16 unc
7	124181X		Ressort
8	171877		Boulon 5/16-18 unc x 3/4
10	196977		Plaque
21	171852		Boulon, Epaule 5/16-18

**TRACTEUR - - NUMÉRO DE MODÈLE PB195H42LT (96042003600), NO. DE PRODUIT 960 42 00-36**

**ENSEMBLE DE LA DIRECTION**



NO. DÉ	NO. DÉ	DESCRIPTION	NO. DÉ	NO. DÉ	DESCRIPTION
1	186093X428	Volant de direction	57	407465	Support Upstop
2	184706	Devant d'Assemblée d'axe	58	194747	Verrouilleur CFM de Pivot de Secteur
4	403087	Assemblée de fuséau, C.G.	59	194748	Rondelle Pousser la Direction de d'Epaule
5	403088	Assemblée de fuséau, C.D.	60	73971000	Secteur
6	6266H	Maintien, la Poussee de Course Durcit	61	194740	Serrure de Bride d'écrou 5/8-11
7	121748X	Rondelle 25/32 x 1-5/8 x 16 Ja.	62	194741	Trainier le lien, C.D.
8	1200029	Bague, Klip #T5304-75	63	17000512	Vis 5/16-18 x 3/4
9	121232X	Cap, Spindle	64	199849	Direction de retenue de Ressort de
13	121749X	Rondelle 25/32 x 1-1/4 x 16 Ja.	65	194734	Rentorcer le Devant d'Axe
14	10040600	Rondelle Lock 3/8	66	71020748	Verrouilleur le Sort Fghd 7/16-14 x 3
15	73540600	L'ecrou, Couronner la Serrure 3/8-24 unt	67	194737	Bagne SOIR l'Essieu avant
16	196074	Direction d'arbre	68	73900700	Bride de Serrure d'écrou 7/16-14 Gr. 5
19	194729	Plaquer la Direction	69	199162	Rondelle 1.5 x .505 x .118
20	198375X428	Botte, Dirigeant	70	196197	Suspension de Pont de Crochet de
21	186737	Adaptateur, la Roue Dirigeant	71	196075	Arbre d'Extension de direction
22	194845	Bagne, Dirigeant Bik	72	74780572	Boulon 5/16-18 x 4.5 Gr. 5
26	186095X428	Insertion, la Roue Dirigeant			
28	17000612	Vis 3/8-16 x 3/4			
33	10040500	Rondelle Lock 5/16			
35	194732	Engrenage, la Plaque de Secteur			
45	19113812	Rondelle 11/32 x 2-3/8 x 12 Ja.			
50	73900600	Serrure d'écrou Fig 3/8-16 unc			
53	188967	Rondelle Endurci .793 x 1.637 x .060			
54	74760636	Verrouiller le unc de 3/8-16 de HS de			
55	197636	Sort x 2-1/4			

**REMARQUE:** Toutes les dimensions de composant sont données en pouces E.-U. -- 1 pouce = 25,4 mm.

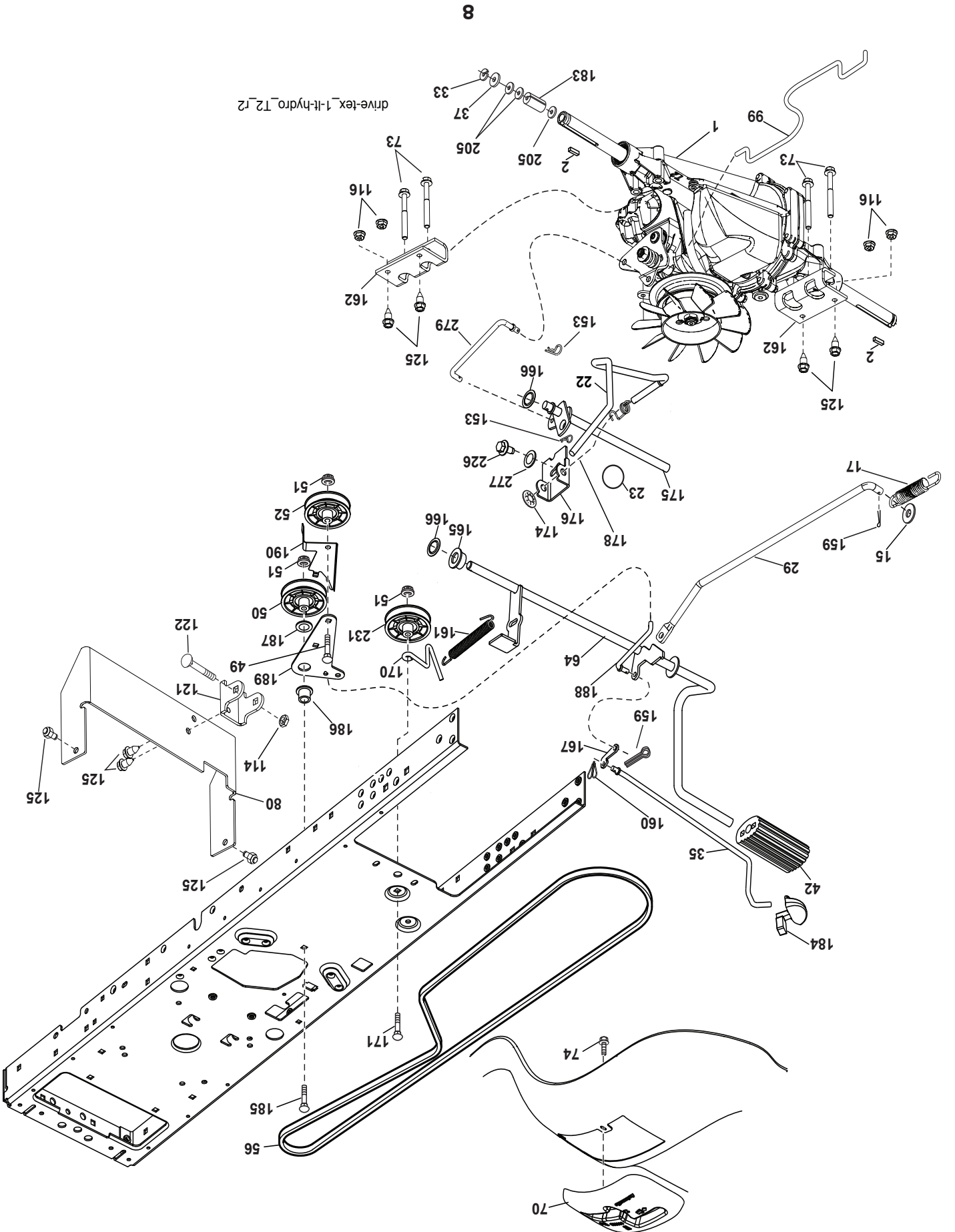
## ENTRAÎNEMENT

NO. DÉ	REF. PIÈCE	DESCRIPTION	NO. DÉ	REF. PIÈCE	DESCRIPTION
1	-----		160	169484	Trombone de retenue
2	123583X	Carre clé	161	195403	Ressort, le Retour, l'Embrayage
15	19131316	Rondelle 13/32 x 13/16 x 16 Ja.	166	197290	Poussée d'écrou .625
17	197296	Ressort, le Frein	167	405257	Fermer au loquet Parking de Frein
22	197660	Changement de tringle	170	194322	Centerspan de Ceinture de gardien
23	409154X421	Bouton	171	72110622	Boulon
29	408391	Tringle, le Frein	174	197289	Poussée d'écrou
33	12000001	Sonner l'E	175	408539	Changement de Asm d'arbre
35	197722	Tringle, le Frein, le Parc	176	196214	Armer le Changement de Tringle
37	121749X	Rondelle 25/32 x 1-1/4 x 16 Ja.	178	197456	Bondir le Changement
42	8883R	Couverture, Payer la Pédale	183	156972	Axe plus spatial
49	72110614	Boulon	184	198403X505	Contrôler le Frein A Main
50	194327	Pouille de tension de pouille Plate	185	72110620	Boulon
51	73900600	Verrouiller L'écrou 3/8-16	186	194321	Plus spatial de retenue
52	194326	Pouille de tension 910" Décalent	187	19133210	Rondelle
56	125907X	V-ceinture, l'Unité	188	194323	Relier l'Unité de Sol d'Embrayage
64	196200	Contrôle de Frein de Pédale	189	194317	Unité de Sol de levier coude
70	193220X428	Console	190	194318	Unité de Sol de levier coude
73	74490544	Boulon 5/16-18 Gr. 5	195	198012	Support la Tringle de Frein
74	142432	Vis 1/4 x 1/2	205	121748X	Rondelle 25/32 x 1-5/8 x 16 Ja.
80	408393	Sangler le Moment de torsion	226	74780716	Boulon 7/16-14 x 1 Gr. 5
99	408418	Ressort de tringle saute 22	227	405296	Rondelle Serrated
114	73800500	Serrure d'écrou 5/16-18 unc	231	407287	Pouille de tension 1,688" Décalent
116	73900500	Écrou 5/16-18	279	408538	Relier le Changement
121	175611	Support	282	400424	Entretoise
122	72010520	Boulon 5/16-18 x 2.50			
125	17000512	Vis 5/16-18 x 3/4			
153	4497H	Ressort de retenue 1"			
159	76020412	Épingler Goupille fendue 1/8 x 3/4			

**REMARQUE:** Toutes les dimensions de composant sont données en pouces E.-U. -- 1 pouce = 25,4 mm.

TRACTEUR - - NUMÉRO DE MODÈLE PB195H42LT (96042003600), NO. DE PRODUIT 960 42 00-36

ENTRAÎNEMENT

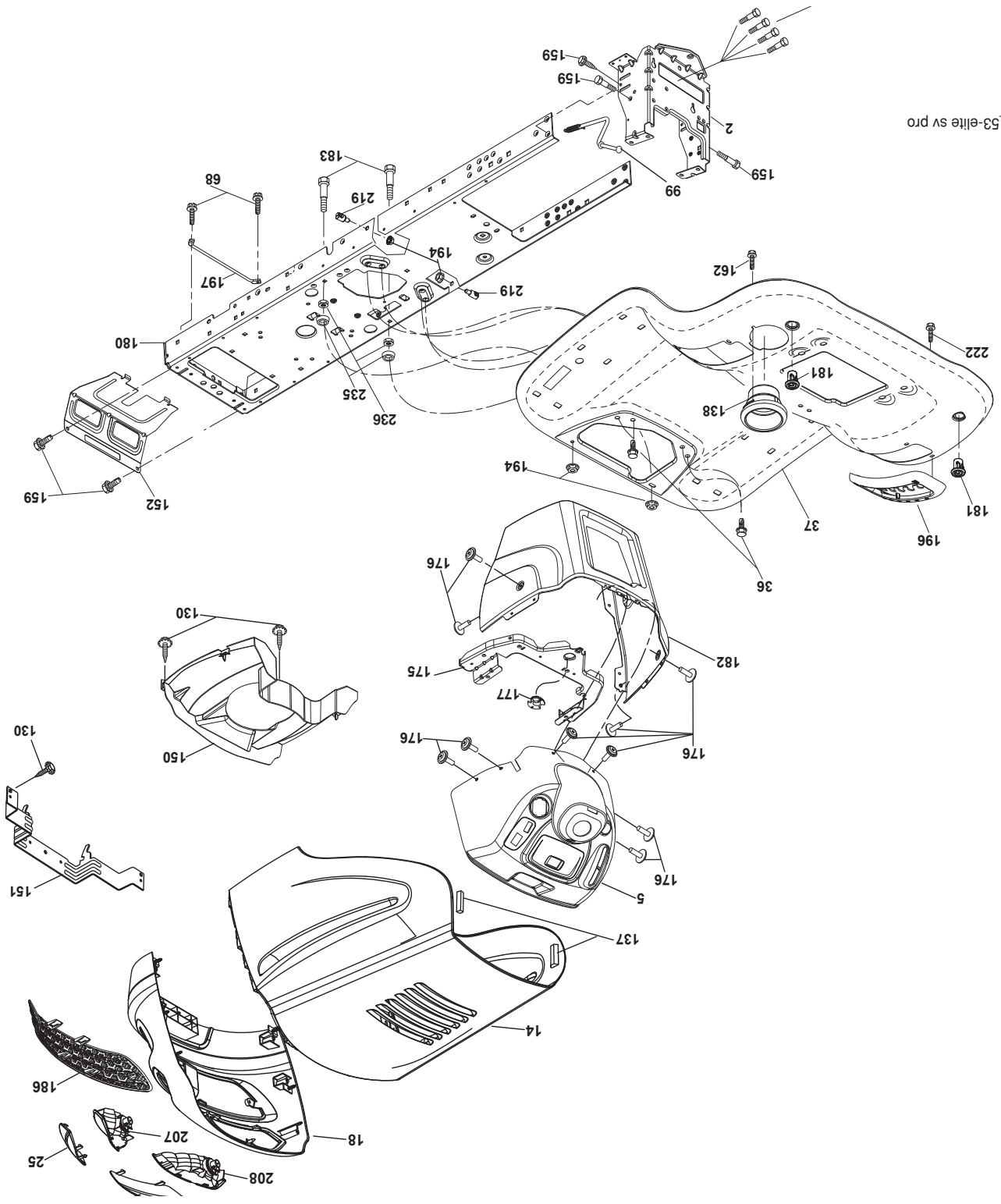


NO. DE DÉ	REF. PIÈCE	DESCRIPTION
2	194263	Dessiner la barre
5	197783X428	Précipiter
14	183393X428	Capot
15	183834X599	Grille de lentille C.G.
18	183828	Grille
25	183835X599	Grille de lentille C.D.
36	17060512	Vis 5/16-18 x 3/4
37	193218X428	Pare-chocs
68	17490508	Vis 5/16-18 x 1/2
99	532408418	Sauter la tringle
130	191611	Vis 10 x 3/4 Premier-Sort seul
137	184921	Capuchon exceptionnel
138	193224X428	Entourer le support
150	184322	Le Capuchon de Chaleur de conduit
151	407807	Support le Pivot
152	194329	Protéger le Browning/Débris
159	17000612	Vis 3/8-16 x 3/4
162	142432	Vis 1/4 x 1/2
175	193243	Traverser le membre
176	400776	Vis 10-24 x 5/8
177	195228	Direction de baigne
180	194260	Châssis
181	193102X428	Mtg de baigne. Cargaison de pare-chocs.
182	193057	Précipiter plus bas
183	74780520	Boulon 5/16-18 x 1-1/4
186	183829X428	Insertion Grille
194	73900500	Bride de Sort de Serrure d'écrou 5/16-18
196	410584	Console l'Ascenseur de Pont d'Assemblée
197	156524	Châssis de Pivot de tringle
207	183833	Panneau Grille C.D.
208	183832	Panneau Grille C.G.
219	195161	Clover le Fermoir
222	137729	Vis 1/4-20 x 5/8
230	170165	Verrouiller l'Epaule 5/16-18
235	406129	Pare-chocs plus spatial
236	73930500	La Serrure de centre d'écrou 5/16-18

**REMARQUE:** Toutes les dimensions de composant sont données en pouces E.-U. -- 1 pouce = 25,4 mm.

TRACTEUR - - NUMÉRO DE MODÈLE PB195H42LT (96042003600), NO. DE PRODUIT 960 42 00-36 CHÂSSIS/ENCEINTES

chassis-tex\_53-elite sv pro

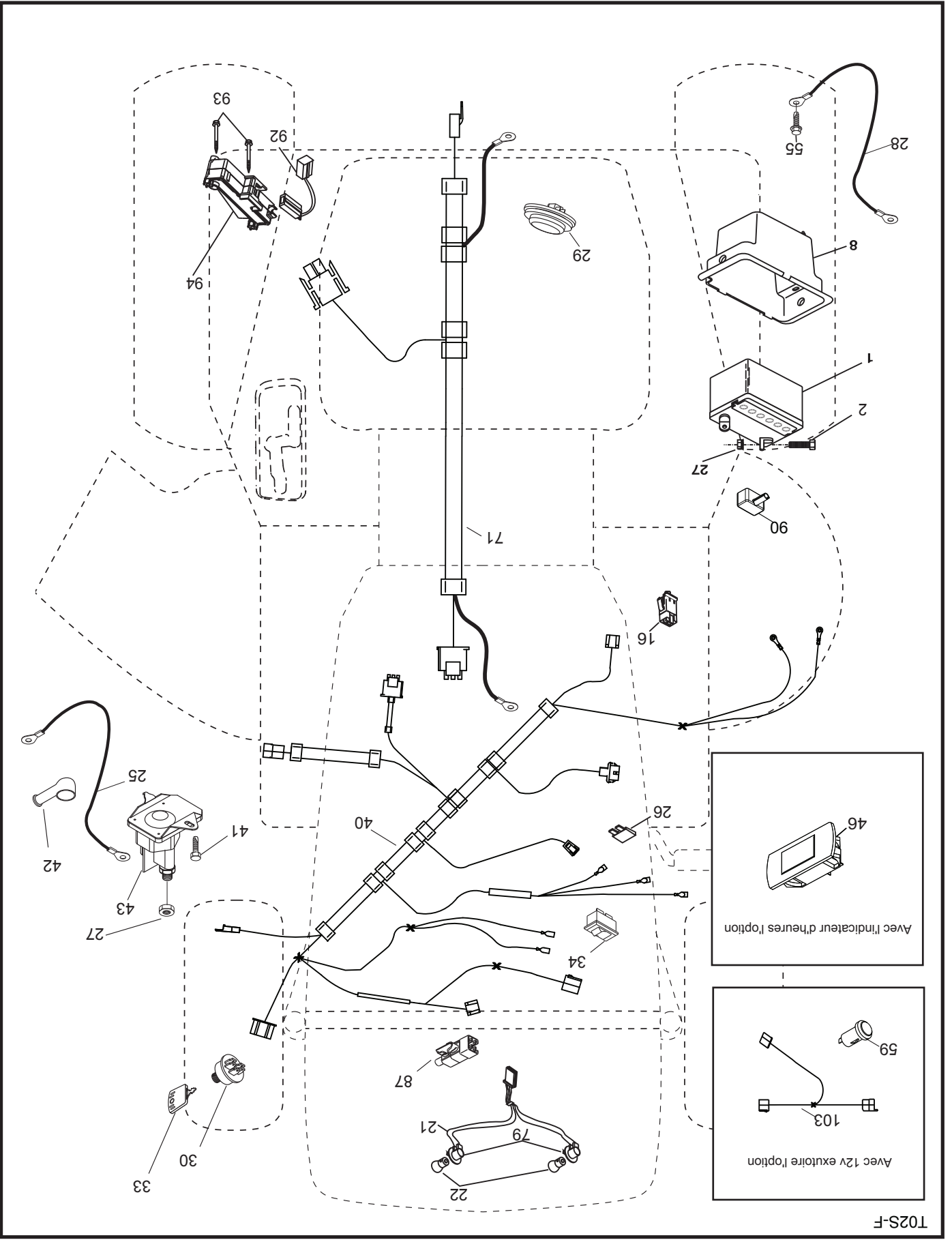


NO.	DÉ	REF.	PIECE	DESCRIPTION
1		163465	Batterie	
2		74760412	Boulon H 1/4-20 unc x 3/4	
8		193228	Bac de batterie	
16		176138	Interrupteur de verrouillage pressé	
21		183759	Harnais des prises de courant des phares	
			avec 4152J	
22		4152J	Ampoule N°1156	
25		401662	Câble de batterie de 6 ja. rouge 14.5	
26		175158	Fusible	
27		73510400	Écrou H 1/4-20 unc	
28		198885	Câble de masse de 6 ja. de 18" pile pos-	
29		401545	Interrupteur	
30		193305	Contacteur d'allumage	
33		140401	Cle de contact	
34		110712X	Interrupteur de lumière	
40		401098	Harnais des câbles d'allumage	
41		17720408	Vis 1/4-20 x 1/2	
42		131563	Couverture de borne	
43		192507	Solénoïde	
55		17060512	Vis 5/16-18 x 3/4	
71		400449	Exploiter le Châssis d'Allumage	
79		175242	Prise de courant du phare	
87		197802	Interrupteur de verrouillage press	
90		400725	Couverture	
92		193465	Harnais	
93		192540	Vis 10-14 x 2.0	
94		191834	Inverse modual ROS	

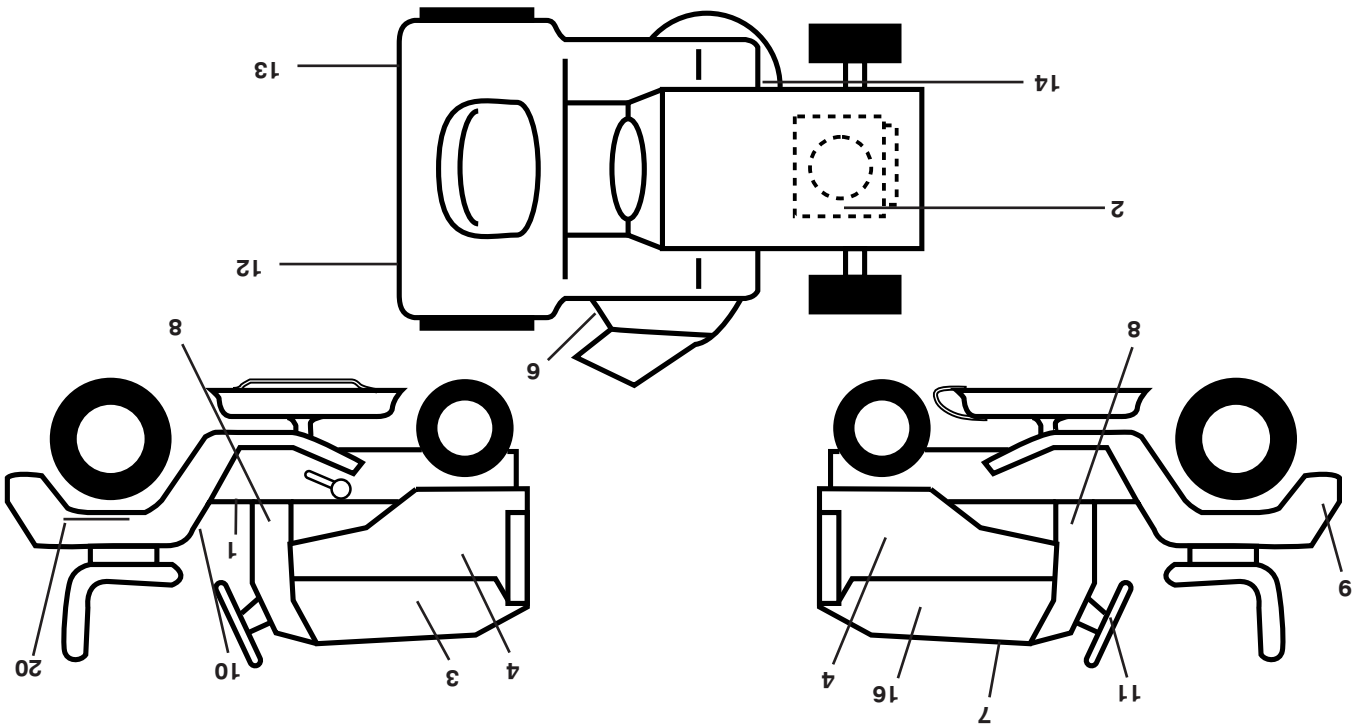
**REMARQUE:** Toutes les dimensions de composant sont données en pouces E.-U. --1 pouce = 25,4 mm



T02S-F

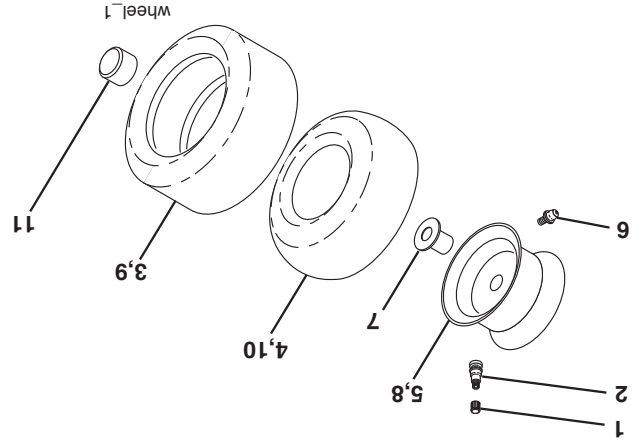


DÉCALCOMANIE



NO.	DÉ	PIÈCE	DESCRIPTION
1	199114		Décalcomanie d'opération
2	408834		Décalcomanie du moteur H.P.
3	186164		Décalcomanie du capot
4	408794		Décalcomanie du panneau latéral
6	170563		Décalcomanie d'avertissement
7	401175		Décalcomanie de pièces de rechange
8	411175		Décalcomanie de LWRDASH
9	172740		Décalcomanie de l'aile Husvarna
11	172743		Décalcomanie de insert
12	408948		Décalcomanie de Pare-chocs SD C.D.
NO.	DÉ	PIÈCE	DESCRIPTION
13	408949		Décalcomanie de Pare-chocs SD C.G.
14	160396		Décalcomanie de la courroie rapézoïdale
16	186163		Décalcomanie du capot
20	145005		Décalcomanie de danger/poison de la batterie
			Décalcomanie
			Coussin d' repose-pied C.G.
			193226X428
			193227X428
			411287
			411288
			Manuel de pièces (anglais/français)
			Manuel du propriétaire (anglais/français)

ROUES & PNEUS

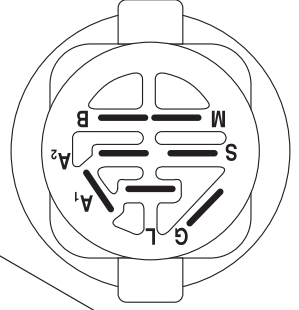


NO.	DÉ	PIÈCE	DESCRIPTION
1	59192		Capuchon de la valve du pneu
2	65139		Tubulure de la valve
3	106222X		Pneu antérieur 15 x 6 0 - 6
4	59904		Chambre à air antérieure
5	106732X421		Ensemble de la jante antérieure de 6"
6	278H		Graisieur (roue antérieure seulement)
7	9040H		Palier à bride (roue antérieure seulement)
8	106108X421		Ensemble de la jante arrière de 8"
9	106268X		Pneu arrière R T 18 X 9.5-8 Turf Saver LT
10	420531		Pneu arrière R T 18 X 9.5-8 Turf Saver LT
11	104757X421		Chambre à air arrière
			Chapeau de l'essieu
			Joint d'étanchéité de pneu (tube de .30L [10 oz. Tube])

REMARQUE: Toutes les dimensions de composant sont données en pouces E.-U. --1 pouce = 25,4 mm

POSITION	CIRCUIT "FAITS"
ARRÊT	M + G + A1
MARCHE/ ALLUMAGE	B + A1
MARCHE	B + A1
DÉPARTAGE	B + S + A1

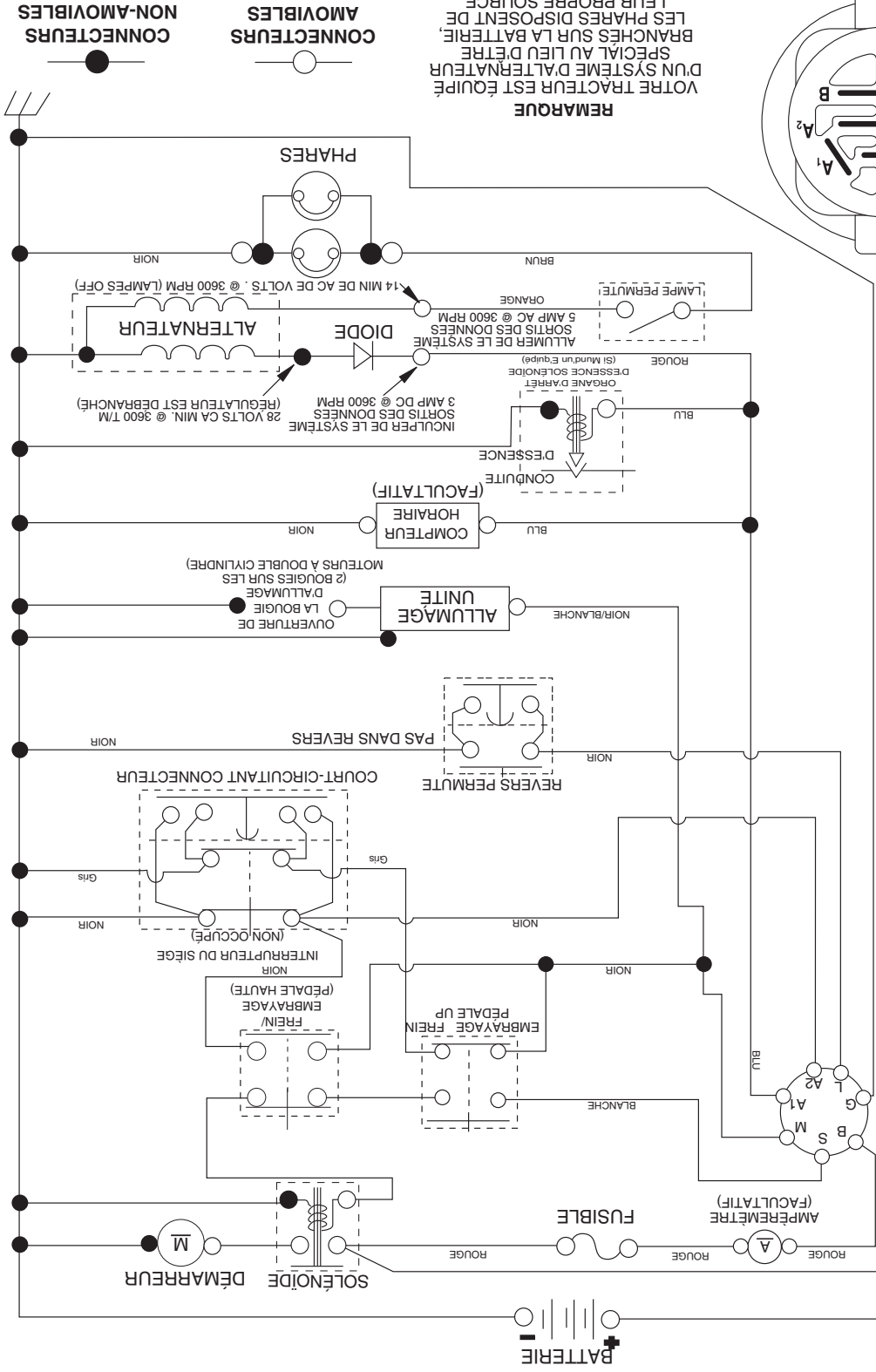
CONTACTEUR D'ALLUMAGE



02836

**REMARQUE**  
 VOTRE TRACTEUR EST ÉQUIPÉ D'UN SYSTÈME D'ALTERNATEUR SPÉCIAL AU LIEU D'ÊTRE BRANCHÉS SUR LA BATTERIE. LES PHARES DISPOSENT DE LEUR PROPRE SOURCE D'ÉNERGIE ÉLECTRIQUE. DONC LA BRILLANCE DES PHARES CHANGERA EN FONCTION DE LA VITESSE DU MOTEUR. AU RALENTI, LA BRILLANCE DES PHARES BAISSERA; QUAND LE MOTEUR EST ACCÉLÉRÉ, LA BRILLANCE ATTEINDRA SON MAXIMUM.

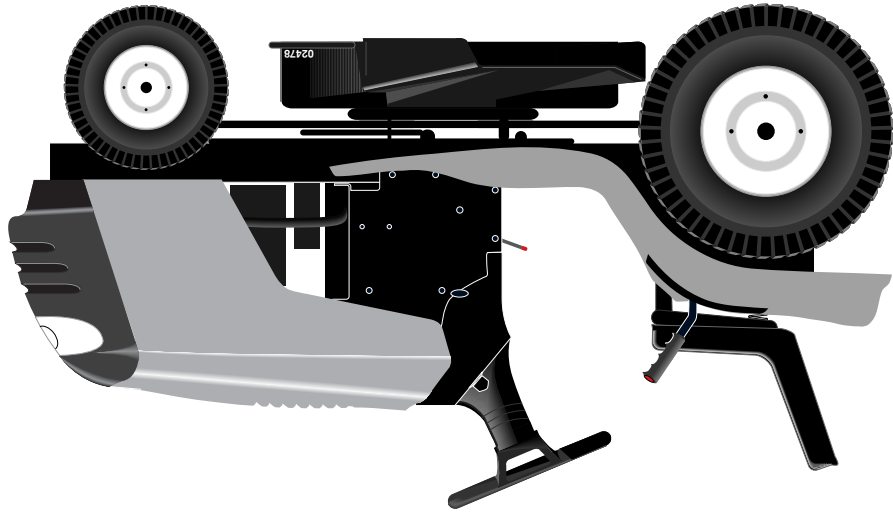
2



CONNECTEURS AMOVIBLES  
 CONNECTEURS NON-AMOVIBLES

**PINCES ISOLÉES**  
 REMARQUE: SI LES PINCES ISOLÉES ONT ÉTÉ ENLEVÉES POUR L'ENTRETIEN DU MODÈLE, ELLES DOIVENT ÊTRE REMISES EN PLACE POUR ASSURER LE BON FONCTIONNEMENT DU CÂBLAGE.

# Poulan PRO




## MANUEL DE PARTIES DE RÉPARATION

MODÈLE:

**PB195H42LT**  
TRACTEUR DE PELOUSE

Portez toujours des lunettes de sécurité lors de l'utilisation.

Visitez notre site web: [www.poulan-pro.com](http://www.poulan-pro.com)

**AVERTISSEMENT:**  Lisez soigneusement le manuel suivez tous les avertissements et les instructions de sécurité. Les blessures sérieuses peuvent en résulter si vous ne lisez pas ces avertissements et instructions de sécurité.