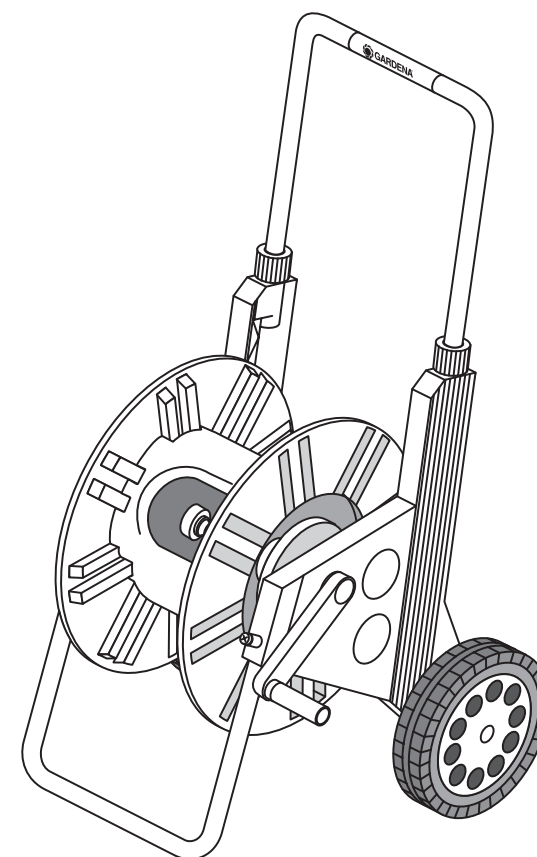


**Art. 2613**



**Art. 2631**

<b>D</b>	<b>Montageanleitung</b> Schlauchwagen 60/100
<b>GB</b>	<b>Operating Instructions</b> Hose Trolley 60/100
<b>F</b>	<b>Mode d'emploi</b> Dévidoirs sur roues 60/100
<b>NL</b>	<b>Gebruiksaanwijzing</b> Slangenwagen 60/100
<b>S</b>	<b>Bruksanvisning</b> Slangvagn 60/100
<b>I</b>	<b>Istruzioni per il montaggio</b> Carrelli avvolgitubo 60/100
<b>E</b>	<b>Manual de instrucciones</b> Carros portamangueras 60/100
<b>P</b>	<b>Instruções de operação</b> Carros porta-mangueiras 60/100
<b>DK</b>	<b>Brugsanvisning</b> Slangevogn 60/100

- D** Zur Montage benötigen Sie einen Kreuzschlitz-Schraubendreher.
1. Trommel entsprechend der Bildfolge **A** montieren.
  2. Schlauchwagen entsprechend der Bildfolge **B** montieren. Dabei den Schubbügel mit Kraft über den spürbaren Anschlag vollständig einschieben.
  3. Kurbelmontage-Empfehlung **C**: **CR** Rechtshänder, **CL** Linkshänder.
- Vor der Frostperiode den Schlauchwagen frostsicher lagern.

- GB** You will need a Phillips (cross-head) screwdriver to assemble your hose trolley.
1. Assemble drum as shown in diagram sequence **A**.
  2. Assemble hose trolley as shown in diagram sequence **B**. Push in guide handle forcefully over the catch as far as it will go.
  3. Recommended position for crank handle **C**: **CR** for right-handed use, **CL** for left-handed use.
- Store your hose trolley away from frost before the first frost sets in.

- F** Pour le montage vous avez besoin d'un tournevis cruciforme.
1. Monter le tambour suivant les illustrations **A**.
  2. Monter le chariot suivant les illustrations **B** en enfonçant entièrement l'arceau fortement au-delà de la butée.
  3. Recommandation pour le montage de la manivelle **C**: **CR** pour les droitiers, **CL** pour les gauchers.
- Ranger le chariot à l'abri du gel avant la saison froide.

- NL** Voor de montage heeft u een kruiskopschroevendraaier nodig.
1. Trommel in de volgorde van afbeelding **A** monteren.
  2. Slangenwagen in de volgorde op afbeelding **B** monteren. Daarbij de duwbeugel krachtig geheel over de voelbare aanslag duwen.
  3. Aanbeveling krukmontage **C**: **CR** rechtshandigen, **CL** linkshandigen.
- Voor de vorstperiode de slangenwagen vorstvrij opbergen.

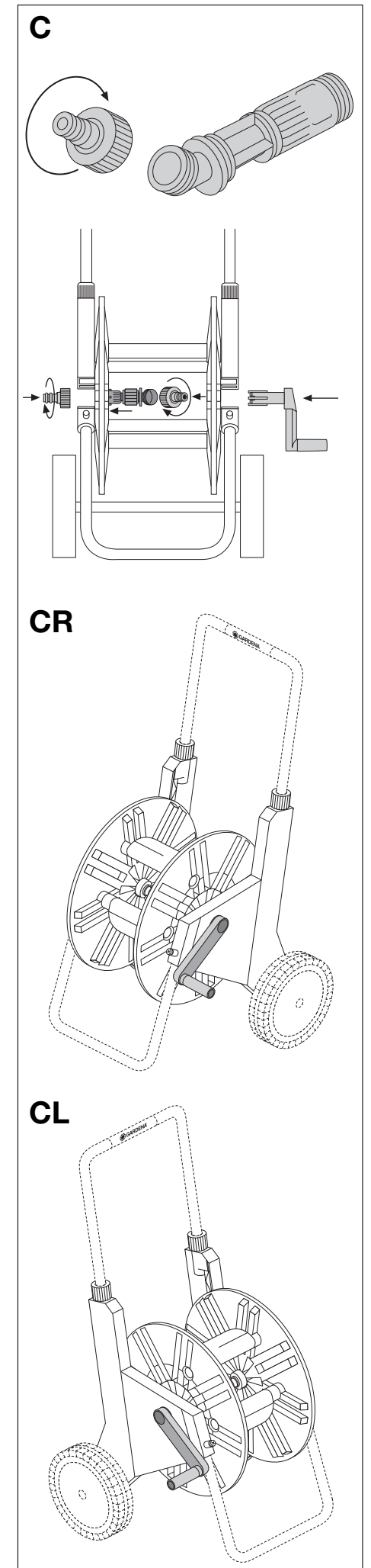
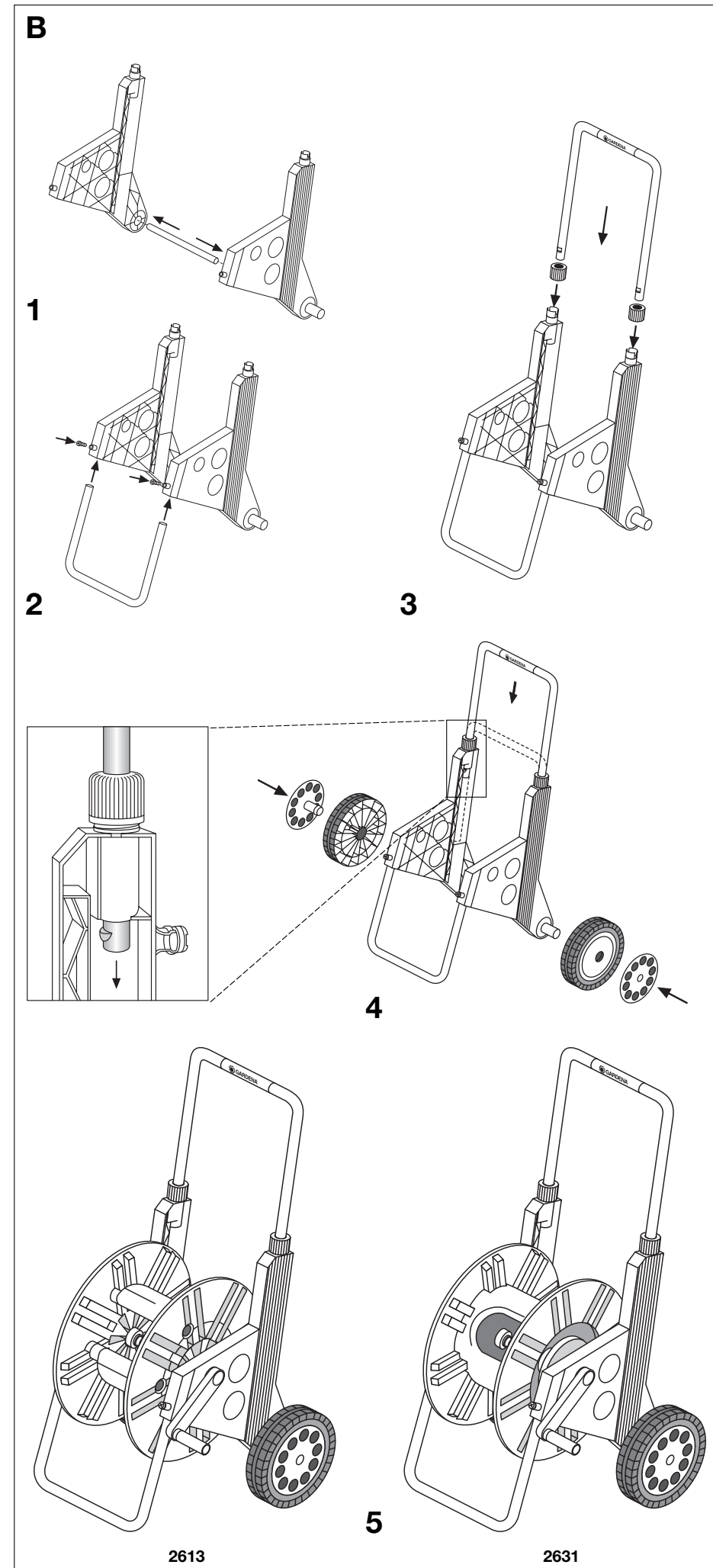
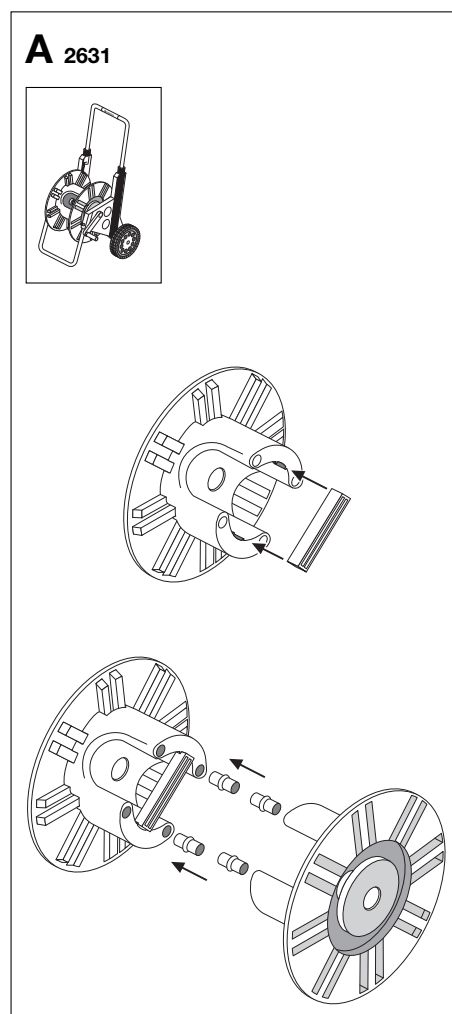
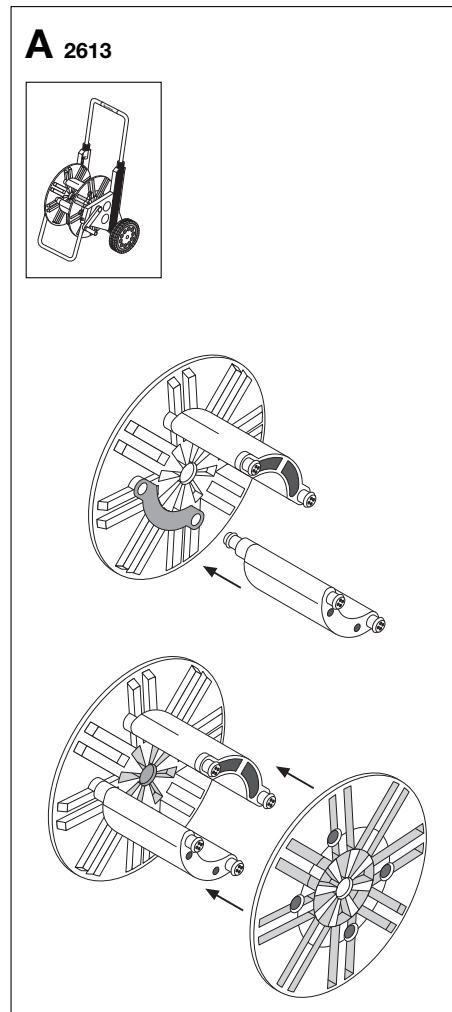
- S** För montering behövs en stjärnskruvmejsel.
1. Montera trumman enligt bildserie **A**.
  2. Montera slangförvaringen enligt bildserie **B**. Tryck till handtaget ordentligt över anslaget och tryck in helt.
  3. Rekommendation för veven **C**: **CR** högerhänta, **CL** vänsterhänta
- Lagra slangförvaringen på frostsäker plats.

- I** Per montare il carrello, servirsi di un cacciavite a croce.
1. Montare il tamburo attenendosi alla figura **A**.
  2. Assemblare le altre parti come da fig. **B**. Inserire il manico spingendolo a fondo con forza fino alla battuta.
  3. Montare la manovella (fig. **C**): come da fig. **CR** per i destrimani; come da fig. **CL** per i mancini.
- Prima dell'inverno riporre il carrello avvolgitubo in luogo riparato.

- E** Para el montaje necesita un destornillador para tornillos con ranura en cruz.
1. Montar el tambor como muestra la figura **A**.
  2. Montar el carro como muestra la figura **B**. Introducir la barra de empuje completamente con fuerza hasta el tope.
  3. Recomendación para el montaje de la manivela **C**: **CR** para diestros, **CL** para zurdos.
- Guardar el carro portamangueras en lugar protegido contra las heladas durante el invierno.

- P** Para montagem necessita de uma chave de parafusos Philips.
1. Montar o tambor de acordo com a sequência de imagens **A**.
  2. Montar o carro de mangueira de acordo com a sequência de imagens **B**. Neste processo, inserir o estribo completamente com força para além do encosto notável.
  3. Recomendação da montagem da manivela **C**: **CR** – para pessoas dextrímanos, **CL** – para pessoas canhotos.
- Guardar o carro de mangueira ao abrigo de geadas, antes do início do período de geadas.

- DK** Du skal bruge en stjerneskruetrækker for at samle din slangevogn.
1. Tromlen monteres i henhold til billederne **A**.
  2. Slangevognen monteres i henhold til billederne **B**. Herved skal skydebøjlen skubbes fuldstændigt ind med magt via det mærkbare anslag.
  3. Anbefaling for montering af håndsving **C**: **CR** højrehåndet, **CL** venstrehåndet.
- For frostperioden skal slangevognen opbevares på et frostfrit sted.



## Service

### Deutschland / Germany

GARDENA  
Manufacturing GmbH  
Central Service  
Hans-Lorenser-Str. 40  
89079 Ulm  
Produktfragen:  
(+49) 731 490-123  
Reparaturen:  
(+49) 731 490-290  
service@gardena.com

### Argentina

Husqvarna Argentina S.A.  
Vera 745  
(C1414A00) Buenos Aires  
Phone: (+ 54) 11 4858-5000  
diego.poggi@ar.husqvarna.com

### Australia

Husqvarna Australia Pty. Ltd.  
Locked Bag 18,  
Gosford NSW 2250  
or: 69 Chivers Rd,  
Somersby NSW 2250  
Phone: + 61 (0) 2 4372 1500  
customer.service@husqvarna.com.au

### Austria / Österreich

Husqvarna Austria GmbH  
Consumer Products  
Industriezeile 36  
4010 Linz  
Phone: (+43)(0)732/770101-90  
consumer.service@husqvarna.at

### Belgium

GARDENA Belgium NV/SA  
Sterrebeekstraat 163  
1930 Zaventem  
Phone: (+32) 27 20 921 2  
info@gardena.be

### Brazil

Palash Importação  
e Comércio Ltda  
Rua São João do Araguaia, 338  
Barueri – SP – CEP: 06409-060  
Phone: (+55) 11 4198-9777  
eduardo@palash.com.br

### Bulgaria

Husqvarna Bulgaria Eood  
72 Andrey Ljapchev Blvd.  
1799 Sofia  
Phone: 02/975 3076

### Canada

GARDENA Canada Ltd.  
100 Summerlea Road  
Brampton, Ontario L6T 4X3  
Phone: (+1) 905 792 93 30  
info@gardenacanada.com

### Chile

Garden Chile S.A.  
San Sebastián 2839  
Ofic. 701 A  
Las Condes - Santiago de Chile  
Phone: (+56) 220 10708  
garfar\_cl@yahoo.com

### Costa Rica

Compania Exim  
Euroiberoamericana S.A.  
Aptdo Postal 1260  
San José  
Phone: (+506) 223 20 75  
exim\_euro@racsa.co.cr

### Croatia

SILK ADRIA d.o.o.  
Josipa Lončara 3  
10090 Zagreb  
Phone: (+385) 13794 580  
silk.adria@zg.t-com.hr

### Cyprus

FARMOKIPIKI LTD  
P.O. Box 7098  
74, Digeni Akrita Ave.  
1641 Nicosia  
Phone: (+357) 22 75 47 62  
condam@spidernet.com.cy

### Czech Republic

GARDENA spol. s.r.o.  
Tuřanka 115  
62700 Brno  
Phone: (+420) 548 217 777  
gardena@gardenabno.cz

### Denmark

GARDENA  
Husqvarna Consumer Outdoor  
Products  
Salgsafdelning Danmark  
Box 9003  
20039 Malmö  
info@gardena.dk

### Estonia

Husqvarna Eesti OÜ  
Consumer Outdoor Products  
Kesk tee 10, Aaviku küla  
Rae vald, Harju maakond 75305  
kontakt.etj@husqvarna.ee

### Finland

Oy Husqvarna Ab  
Consumer Outdoor Products  
Lautatarhankatu 8 B/PL 3  
00581 HELSINKI  
info@gardena.fi

### France

GARDENA France  
Immeuble Exposial  
9 – 11 allée des Pierres Mayettes  
ZAC des Barbanniers  
B.P. 99  
92232 Gennevilliers cedex  
Phone: (+33) 01 40 85 30 40  
service.consommateurs@gardena.fr

### Great Britain

Husqvarna UK Ltd  
Preston Road  
Aycliffe Industrial Park  
Newton Aycliffe  
Co Durham  
DL5 6UP  
info.gardena@husqvarna.co.uk

### Greece

HUSQVARNA ΕΛΛΑΣ Α.Ε.Β.Ε.  
Υπ/μσ Ηφαιστου 33Α  
Βλ. Π.ε. Κορωπίου  
19400 Κορωπί Αττικής  
Phone: (+30) 210 6620225 – 6  
service@agropkip.gr

### Hungary

Husqvarna  
Magyarország Kft.  
Ezred u. 1 – 3  
1044 Budapest  
Phone: (+ 36) 80 20 40 33  
gardena.gardena.hu

### Iceland

Ó. Johnson & Kaaber  
Tunguhalsi 1  
110 Reykjavik  
ooj@ojk.is

### Ireland

McLoughlins RS  
Unit 5  
Norther Cross Business Park  
North Road, Finglas  
Dublin 11

### Italy

GARDENA Italia S.p.A.  
Via Donizetti 22  
20020 Lainate (Mi)  
Phone: (+39) 02.93.94.79.1  
info@gardenaitalia.it

### Japan

KAKUICHI co., Ltd.  
Sumitomo Realty & Development Koji-  
machi  
BLDG., 8F  
5 – 1 Nibanncho, chiyoda-ku,  
Tokyo 102-0084  
Phone: (+81)-(0)3-3264-4721  
m\_ishihara@kaku-ichi.co.jp

### Latvia

SIA „Husqvarna Latvija“  
Consumer Outdoor Products  
Bākūžu iela 6, Rīga, LV-1024  
info@husqvarna.lv

### Lithuania

UAB Husqvarna Lietuva  
Consumer Outdoor Products  
Ateities pl. 77C  
LT-52104 Kaunas  
centras@husqvarna.lt

### Luxembourg

Magasins Jules Neuberg  
39, rue Jacques Stas  
Luxembourg-Gasperich 2549  
Case Postale No. 12  
Luxembourg 2010  
Phone: (+352) - 40 14 01  
api@neuberg.lu

### Netherlands

GARDENA Nederland B.V.  
Postbus 50176  
1305 AD ALMERE  
Phone: (+31) 36 521 00 00  
info@gardena.nl

### Neth. Antilles

Jonka Tuincentrum  
Sta. Rosa Weg 196  
P.O. Box 8200  
Curaçao  
Phone: (+599) 9 767 66 55  
pgm@jonka.com

### New Zealand

Husqvarna New Zealand Ltd.  
51 Aintree Avenue  
Mangere, Manukau 2022  
or: PO Box 76437  
Manukau City 2241  
Phone: (09)9202410

### Norway

GARDENA  
Husqvarna Consumer Outdoor  
Products  
Salgskontor Norge  
Kleiverveien 6  
1540 Vestby  
info@gardena.no

### Poland

HUSQVARNA Poland Spółka z o.o.  
ul. Wysockiego 15 b  
03-371 Warszawa  
Oddział w Szymanowie  
Szymanów 9 d  
05-532 Baniocza

### Portugal

GARDENA Portugal Lda.  
Escritórios  
Sintra Business Park  
Edifício 1 · Fracção 0 G  
Abrunheira  
2710-089 Sintra  
info@gardena.pt

### Romania

MADEX INTERNATIONAL SRL  
Șoseaua Odăii 117 – 123  
Sector 1, București,  
RO 013603  
Phone: (+40) 21 352-7603/4/5/6  
madex@gardena.ro

### Russia / Россия

ООО «Husqvarna»  
Leningradskaya street, vladenie 39  
Khimki Business Park  
Building 2, 4th floor  
141400 Moscow Region, Khimki  
Phone: +7 (495) 797 26 70

### Singapore

HY-RAY PRIVATE LIMITED  
40 Jalan Pemimpin  
#02-08 Tat Ann Building  
Singapore 577185  
Phone: (+65) 6253 2277  
shiyang@hyray.com.sg

### Serbia

DOMEL d.o.o.  
Savski Nasip 7  
11070 Novi Beograd  
Serbia  
Phone: (+381) 11 2772 204  
miroslav.jejina@domel.co.yu

### Slovenia

GARDENA d.o.o.  
Brodišče 15  
1236 Trzin  
Phone: (+386) 1 580 93 32  
servis@gardena.si

### South Africa

GARDENA  
South Africa (Pty.) Ltd.  
P.O. Box 11534  
Vorna Valley 1686  
Phone: (+27) 11 315 02 23  
sales@gardena.co.za

### Spain

GARDENA IBÉRICA S.L.U.  
C/Basauri, nº 6  
La Florida  
28023 Madrid  
Phone: (+34) 91 708 05 00  
(4 líneas)  
atencioncliente@gardena.es

### Sweden

GARDENA  
Husqvarna Consumer Outdoor Products  
Försäljningskontor Sverige  
Box 9003  
20039 Malmö  
info@gardena.se

### Switzerland / Schweiz

Husqvarna Schweiz AG  
Consumer Products  
Industriestrasse 10  
5506 Mägenwil  
Phone: +41 (0) 62 887 37 00  
info@gardena.ch

### Turkey

GARDENA Dost Diş Ticaret  
Mümesillik A.Ş.  
Sanayi Çad. Adil Sok. No. 1  
34873 Kartal – İstanbul  
Phone: (+90) 216 38 93 939  
info@gardena-dost.com.tr

### Ukraine / Україна

ТОВ «ГАРДЕНА УКРАЇНА»  
Васильківська, 34, 204-Г  
03022, Київ  
Тел.: (+38 044) 498 39 02  
info@gardena.ua

### USA

GARDENA Canada Ltd.  
100 Summerlea Road  
Brampton, Ontario L6T 4X3  
Phone: (+1) 905 792 93 30  
info@gardenacanada.com

2613-20.961.04/0309  
© GARDENA Manufacturing GmbH  
D-89070 Ulm  
http://www.gardena.com