

D	Montageanleitung Grasfangkorb für GARDENA Spindelmäher
GB	Assembly Instructions Grass Catcher for GARDENA Cylinder Lawnmower
F	Mode d'emploi Sac de ramassage pour tondeuses hélicoïdales GARDENA
NL	Gebruiksaanwijzing Grasvangzak voor GARDENA kooimesmaaier
S	Bruksanvisning Gräsuppsamlare för GARDENA cylindergräsklippare
DK	Brugsanvisning Græsfang til GARDENA håndplæneklipper
I	Istruzioni per l'uso Cestello raccogliërba per rasapratò elicoidali GARDENA
E	Manual de instrucciones Cesta de recogida para el cortacésped de GARDENA
P	Instruções de montagem Cesto colector de relva para cortador do relva cilíndrico GARDENA

D

→ Zusammenbau erfolgt entsprechend der Bildfolge.

1B: Bei bestimmten GARDENA Fangkörben muss das U-Rohr ① in das Gewebe ② eingefädelt werden.

2: Die mitgelieferten Aufhängungen ③ werden nur für bestimmte GARDENA Spindelmäher benötigt.

3: Wenn der Holm steiler nach oben gehalten wird, sollte das Aufhängeband ④ entsprechend verlängert werden.

GB

→ Assemble as shown in the sequence of illustrations.

1B: With certain GARDENA Grass Catchers, the U-tube ① must be threaded into the fabric ②.

2: The hooks provided ③ are only required for certain GARDENA Cylinder Mowers.

3: If the handle is held up at a steeper angle, the suspension strap ④ should be extended accordingly.

F

→ Pour le montage, suivre les illustrations dans l'ordre.

1B: Sur certains sacs de ramassage GARDENA, le tuyau en U ① doit être enfilé dans le tissu ②.

2: Les suspensions ③ livrées avec le sac de ramassage ne sont nécessaires que pour certaines tondeuses hélicoïdales GARDENA.

3: Si vous tenez le guidon plus à la verticale, la lanière de suspension ④ doit être rallongée en conséquence.

NL

→ Montage vindt plaats volgens de reeks opeenvolgende afbeeldingen.

1B: Bij sommige GARDENA grasvangzakken moet de U-vormige buis ① door de stof ② worden geregen.

2: De meegeleverde ophangingen ③ zijn alleen nodig bij sommige GARDENA kooimesmaaiers.

3: Als de duwstang steiler omhoog wordt gehouden, moet de ophangband ④ dienovereenkomstig worden verlengd.

S

→ Monteringen sker enligt nedanstående illustration.

1B: På vissa GARDENA uppsamlare måste U-röret ① träs in i väven ②.

2: De medföljande upphängningarna ③ behövs endast för vissa GARDENA cylindergräsklippare.

3: När handtaget placeras högre upp bör upphängningsband ④ förlängas.

DK

→ Sammenbygningen foretages i overensstemmelse med rækkefølgen på billederne.

1B: Ved bestemte GARDENA-græsfangertyper skal U-røret ① føres ind i stoffet ②.

2: De leverede ophængninger ③ er kun nødvendige i forbindelse med bestemte GARDENA-håndplæneklippere.

3: Hvis håndtaget holdes mere stejlt opad, skal ophængningsbåndet ④ forlænges tilsvarende.

I

→ Procedere al montaggio seguendo l'ordine delle figure.

1B: Per determinati cestelli raccoglietorba GARDENA bisogna infilare il tubo a U ① nel tessuto ②.

2: Le sospensioni fornite insieme ③ vengono utilizzate solo per determinati rasapratto elicoidali GARDENA.

3: Tendendo il manico sollevato verso l'alto più in verticale, la cinghia delle sospensioni ④ dovrebbe allungarsi di conseguenza.

E

→ El montaje se realiza según la secuencia mostrada.

1B: En determinadas cestas de recogida GARDENA hay que pasar el tubo en U ① por el tejido ②.

2: Las suspensiones adjuntas ③ se requieren únicamente en determinados cortacéspedes helicoidales GARDENA.

3: Cuando se mantenga el manillar levantado hacia arriba se deberá alargar la cinta de suspensión ④ de manera acorde.

P

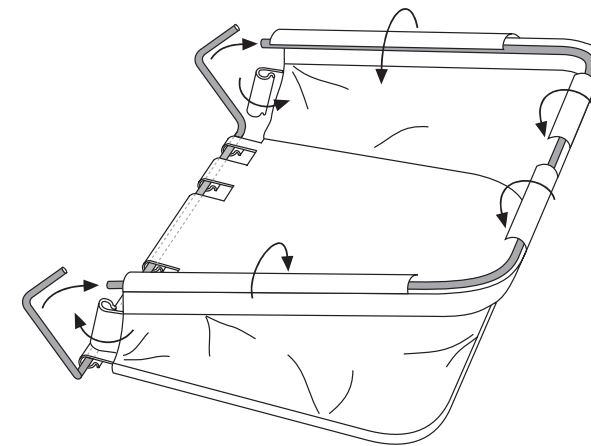
→ A montagem efectua-se de acordo com a sequência das imagens.

1B: No caso de determinados cestos colectores GARDENA, o tubo em U ① deve ser inserido no tecido ②.

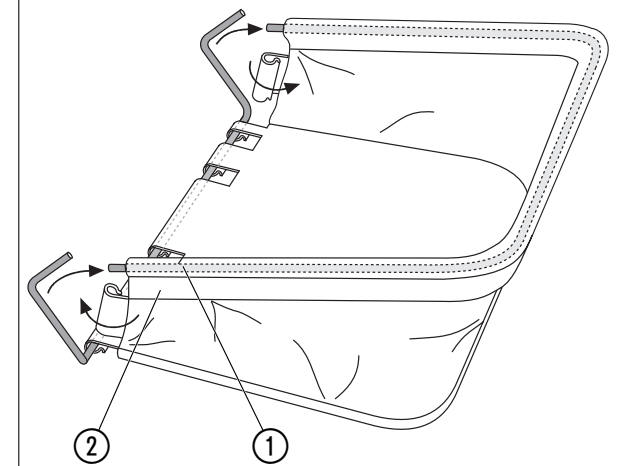
2: O dispositivo de fixação, que é parte do fornecimento ③ só é necessário para determinados cortadores de relva cilindros GARDENA.

3: Quando a haste é segurada mais para cima, a tira ④ deve ser prolongada respectivamente.

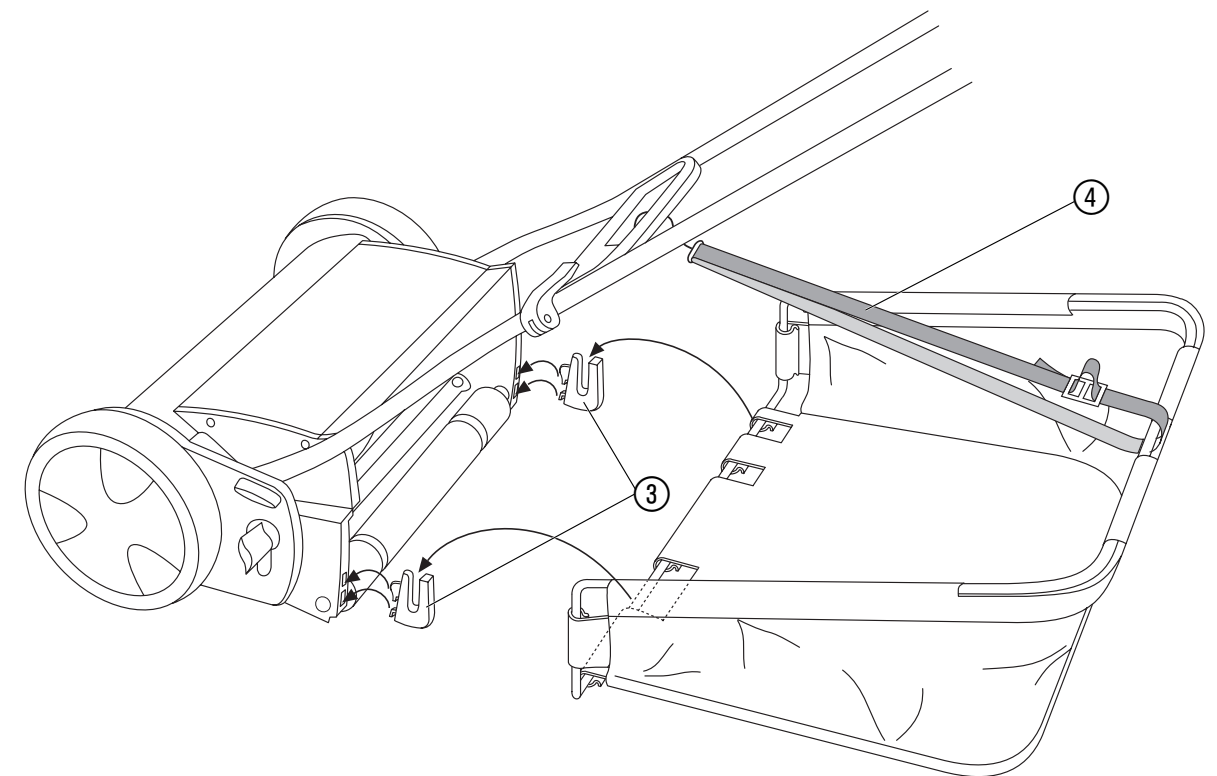
1A



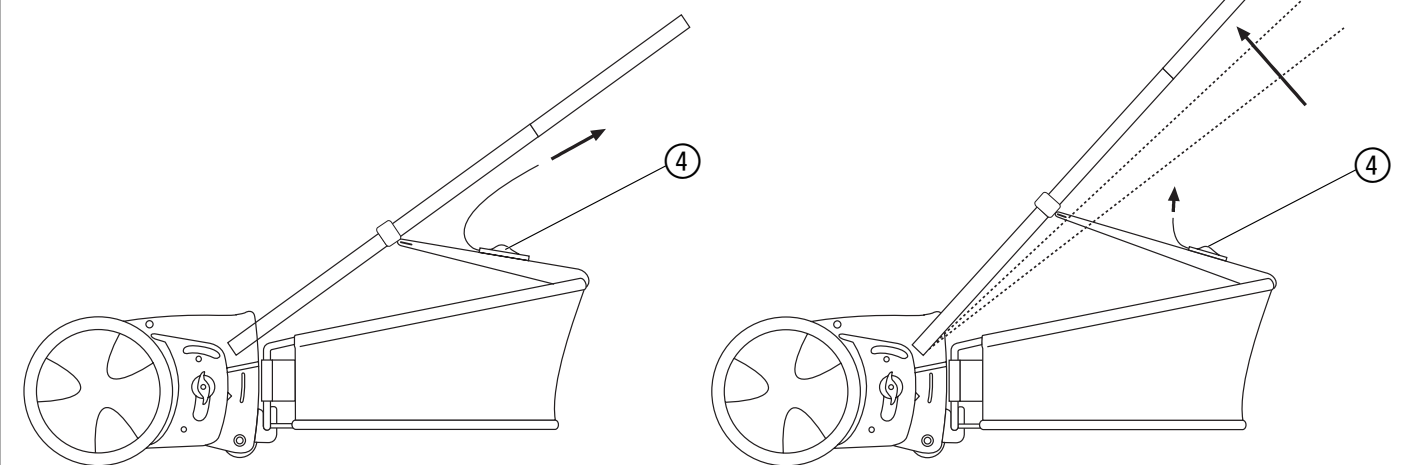
1B



2



3



Service

Deutschland / Germany

GARDENA
Manufacturing GmbH
Central Service
Hans-Lorenser-Str. 40
89079 Ulm
Produktfragen:
(+49) 731 490-123
Reparaturen:
(+49) 731 490-290
service@gardena.com

Argentina

Husqvarna Argentina S.A.
Vera 745
(C1414A00) Buenos Aires
Phone: (+ 54) 11 4858-5000
diego.poggi@ar.husqvarna.com

Australia

Husqvarna Australia Pty. Ltd.
Locked Bag 18,
Gosford NSW 2250
or: 69 Chivers Rd,
Somersby NSW 2250
Phone: + 61 (0) 2 4372 1500
customer.service@husqvarna.com.au

Austria / Österreich

Husqvarna Austria GmbH
Consumer Products
Industriezeile 36
4010 Linz
Phone: (+43)(0)732/770101-90
consumer.service@husqvarna.at

Belgium

GARDENA Belgium NV/SA
Sterrebeekstraat 163
1930 Zaventem
Phone: (+32) 27 20 921 2
info@gardena.be

Brazil

Palash Importação
e Comércio Ltda
Rua São João do Araguaia, 338
Barueri – SP – CEP: 06409-060
Phone: (+55) 11 4198-9777
eduardo@palash.com.br

Bulgaria

Husqvarna Bulgaria Eood
72 Andrey Ljapchev Blvd.
1799 Sofia
Phone: 02/975 3076

Canada

GARDENA Canada Ltd.
100 Summerlea Road
Brampton, Ontario L6T 4X3
Phone: (+1) 905 792 93 30
info@gardenacanada.com

Chile

Garden Chile S.A.
San Sebastián 2839
Ofic. 701 A
Las Condes - Santiago de Chile
Phone: (+56) 2 20 10 708
garfar_cl@yahoo.com

Costa Rica

Compania Exim
Euroiberoamericana S.A.
Aptdo Postal 1260
San José
Phone: (+506) 223 20 75
exim_euro@racsa.co.cr

Croatia

SILK ADRIA d.o.o.
Josipa Lončara 3
10090 Zagreb
Phone: (+385) 1 3794 580
silk.adria@zg.t-com.hr

Cyprus

FARMOKIPIKI LTD
P.O. Box 7098
74, Digeni Akrita Ave.
1641 Nicosia
Phone: (+357) 2275 47 62
condam@spidernet.com.cy

Czech Republic

GARDENA spol. s.r.o.
Tuřanka 115
62700 Brno
Phone: (+420) 548217777
gardena@gardenabrno.cz

Denmark

GARDENA
Husqvarna Consumer Outdoor
Products
Salgsafdelning Danmark
Box 9003
20039 Malmö
info@gardena.dk

Estonia

Husqvarna Eesti OÜ
Consumer Outdoor Products
Kesk tee 10, Aaviku küla
Rae vald, Harju maakond 75305
kontakt.etj@husqvarna.ee

Finland

Oy Husqvarna Ab
Consumer Outdoor Products
Lautatarhankatu 8 B/PL 3
00581 HELSINKI
info@gardena.fi

France

GARDENA France
Immeuble Exposial
9 – 11 allée des Pierres Mayettes
ZAC des Barbanniers
B.P. 99
92232 Gennevilliers cedex
Phone: (+33) 01 40 85 30 40
service.consommateurs@gardena.fr

Great Britain

Husqvarna UK Ltd
Preston Road
Aycliffe Industrial Park
Newton Aycliffe
Co Durham
DL5 6UP
info.gardena@husqvarna.co.uk

Greece

HUSQVARNA ΕΛΛΑΣ Α.Ε.Β.Ε.
Υπ/μα Ηφαίστου 33Α
Βλ. Π.ε. Κορωπίου
19400 Κορωπί Αττικής
Phone: (+30) 210 6620225 – 6
service@agropkip.gr

Hungary

Husqvarna
Magyarország Kft.
Ezred u. 1 – 3
1044 Budapest
Phone: (+ 36) 80 20 40 33
gardena.gardena.hu

Iceland

Ó. Johnson & Kaaber
Tunguhalsi 1
110 Reykjavik
ooj@ojk.is

Ireland

McLoughlins RS
Unit 5
Norther Cross Business Park
North Road, Finglas
Dublin 11

Italy

GARDENA Italia S.p.A.
Via Donizetti 22
20020 Lainate (Mi)
Phone: (+39) 02.93.94.79.1
info@gardenaitalia.it

Japan

KAKUICHI co., Ltd.
Sumitomo Realty & Development Kojima-
chi
BLDG., 8F
5 – 1 Nibanncho, chiyoda-ku,
Tokyo 102-0084
Phone: (+81)-(0)3-3264-4721
m_ishihara@kaku-ichi.co.jp

Latvia

SIA „Husqvarna Latvija“
Consumer Outdoor Products
Bākūžu iela 6, Rīga, LV-1024
info@husqvarna.lv

Lithuania

UAB Husqvarna Lietuva
Consumer Outdoor Products
Ateities pl. 77C
LT-52104 Kaunas
centras@husqvarna.lt

Luxembourg

Magasins Jules Neuberg
39, rue Jacques Stas
Luxembourg-Gasperich 2549
Case Postale No. 12
Luxembourg 2010
Phone: (+352) - 40 14 01
api@neuberg.lu

Netherlands

GARDENA Nederland B.V.
Postbus 50176
1305 AD ALMERE
Phone: (+31) 36 521 00 00
info@gardena.nl

Neth. Antilles

Jonka Tuincentrum
Sta. Rosa Weg 196
P.O. Box 8200
Curaçao
Phone: (+599) 9 767 66 55
pgm@jonka.com

New Zealand

Husqvarna New Zealand Ltd.
51 Aintree Avenue
Mangere, Manukau 2022
or: PO Box 76437
Manukau City 2241
Phone: (09)9202410

Norway

GARDENA
Husqvarna Consumer Outdoor
Products
Salgskontor Norge
Kleiverveien 6
1540 Vestby
info@gardena.no

Poland

HUSQVARNA Poland Spółka z o.o.
ul. Wysockiego 15 b
03-371 Warszawa
Oddział w Szymanowie
Szymanów 9 d
05-532 Baniocha

Portugal

GARDENA Portugal Lda.
Escritórios
Sintra Business Park
Edifício 1 · Fracção 0 G
Abrunheira
2710-089 Sintra
info@gardena.pt

Romania

MADEX INTERNATIONAL SRL
Șoseaua Odăii 117 – 123
Sector 1, București,
RO 013603
Phone: (+40) 21 352-7603/4/5/6
madex@gardena.ro

Russia / Россия

OOO «Husqvarna»
Leningradskaya street, vladenie 39
Khimki Business Park
Building 2, 4th floor
141400 Moscow Region, Khimki
Phone: +7 (495) 797 26 70

Singapore

HY-RAY PRIVATE LIMITED
40 Jalan Pemimpin
#02-08 Tat Ann Building
Singapore 577185
Phone: (+65) 6253 2277
shiyiing@hyray.com.sg

Serbia

DOMEL d.o.o.
Savski Nasip 7
11070 Novi Beograd
Serbia
Phone: (+381) 11 2772 204
miroslav.jejina@domel.co.yu

Slovenia

GARDENA d.o.o.
Brodšiče 15
1236 Trzin
Phone: (+386) 1 580 93 32
servis@gardena.si

South Africa

GARDENA
South Africa (Pty.) Ltd.
P.O. Box 11534
Vorna Valley 1686
Phone: (+27) 11 315 02 23
sales@gardena.co.za

Spain

GARDENA IBÉRICA S.L.U.
C/Basauri, nº 6
La Florida
28023 Madrid
Phone: (+34) 91 708 05 00
(4 líneas)
atencioncliente@gardena.es

Sweden

GARDENA
Husqvarna Consumer Outdoor Products
Försäljningskontor Sverige
Box 9003
20039 Malmö
info@gardena.se

Switzerland / Schweiz

Husqvarna Schweiz AG
Consumer Products
Industriestrasse 10
5506 Mägenwil
Phone: +41 (0) 62 887 37 00
info@gardena.ch

Turkey

GARDENA Dost Diş Ticaret
Mümesillik A.Ş.
Sanayi Çad. Adil Sok. No. 1
34873 Kartal – Istanbul
Phone: (+90) 216 38 93 939
info@gardena-dost.com.tr

Ukraine / Україна

ТОВ «ГАРДЕНА УКРАЇНА»
Васильківська, 34, 204-Г
03022, Київ
Тел.: (+38044) 498 39 02
info@gardena.ua

USA

GARDENA Canada Ltd.
100 Summerlea Road
Brampton, Ontario L6T 4X3
Phone: (+1) 905 792 93 30
info@gardenacanada.com

4029-20.961.05/0409
© GARDENA Manufacturing GmbH
D-89070 Ulm
http://www.gardena.com