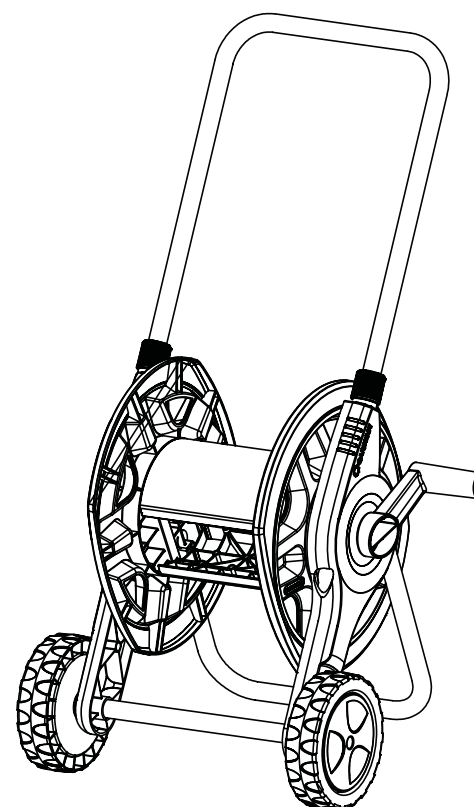


Art. 2691



Art. 2692

D	Montageanleitung Schlauchträger / Schlauchwagen
GB	Assembly Instructions Hose Reel / Hose Trolley
F	Instructions de montage Dévidoir portable / Dévidoir sur roues
NL	Montage-instructie Slanghouder / Slangenwagen
S	Monteringsanvisning Slangvinda / Slangvagn
I	Istruzioni di montaggio Avvolgitubo / Carrelli avvolgitubo
E	Instrucciones de montaje Portamangueras / Carros portamangueras
P	Instruções de montagem Porta Mangueras / Carros porta-mangueras
DK	Monteringsvejledning Slangetromle / Slangevogn

D Montage:

Zur Montage benötigen Sie einen Kreuzschlitz-Schraubendreher.

1. Schlauchwagen/-träger entsprechend der Bildfolge **A** montieren. Schubbügel bei Erstmontage über den spürbaren Anschlag vollständig einschieben.
2. Trommel entsprechend der Bildfolge **B** montieren.
3. Kurbel und Anschluss-Hülse entsprechend der Bildfolge **C** montieren.

Lagerung:

→ Vor der Frostperiode den Schlauchwagen frostsicher lagern.

GB Assembly:

You will need a Phillips (cross-head) screwdriver to assemble your hose trolley.

1. Assemble hose trolley/hose reel as shown in diagram sequence **A**.
When assembling for the first time, push in the guide handle over the catch as far as it will go.
2. Assemble drum as shown in diagram sequence **B**.
3. Assemble crank handle and connection as shown in diagram sequence **C**.

Storage:

→ Store your hose trolley away from frost before the first frost sets in.

F Montage:

Pour le montage vous avez besoin d'un tournevis cruciforme.

1. Monter le dévidoir sur roues/dévidoir portable suivant les illustrations **A**.
Lors du premier montage, enfoncer entièrement l'étrier de poussée en dépassant la butée.
2. Monter le tambour suivant les illustrations **B**.
3. Monter la manivelle et raccord suivant les illustrations **C**.

Stockage:

→ Ranger le chariot à l'abri du gel avant la saison froide.

NL Montage:

Voor de montage heeft u een kruiskopschroevendraaier nodig.

1. Slangenwagen/slanghouder in de volgorde op afbeelding **A** monteren.
Duwerbeugel bij eerste montage volledig over de voelbare aanslag inschuiven.
2. Trommel in de volgorde van afbeelding **B** monteren.
3. Kruk en aansluiting in de volgorde van afbeelding **C** monteren.

Opslag:

→ Voor de vorstperiode de slangenwagen vorstvrij opbergen.

S Montering:

För montering behövs en stjärnskruvmejsel.

1. Montera slangvagn/slangvinda enligt bildserie **A**.
Vid första montering: Skjut in handtaget helt tills det tar emot.
2. Montera trumman enligt bildserie **B**.
3. Montera veven och anslutning enligt bildserie **C**.

Förvaring:

→ Lagra slangförvaringen på frostsäker plats.

I Montaggio:

Per montare il carrello, servirsi di un cacciavite a croce.

1. Assemblare le altre parti come da fig. **A**.
Inserire semplicemente il manico spingendolo a fondo fino alla battuta.
2. Montare il tamburo attenendosi alla figura **B**.
3. Montare la manovella e collegamento attenendosi alla figura **C**.

Ricovero:

→ Prima dell'inverno riporre il carrello avvolgitubo in luogo riparato.

E Montaje:

Para el montaje necesita un destornillador para tornillos con ranura en cruz.

1. Montar el carro portamanguera/portamanguera como muestra la figura **A**.
Introducir la barra de empuje, en el primer montaje, completamente hasta el tope perceptible.
2. Montar el tambor como muestra la figura **B**.
3. Montar la manivela y conexión como muestra la figura **C**.

Almacenaje:

→ Guardar el carro portamangueras en lugar protegido contra las heladas durante el invierno.

P Montagem:

Para montagem necessita de uma chave de parafusos Philips.

1. Montar o carro de mangueira/porta mangueiras de acordo com a sequência de imagens **A**.
Em caso da primeira montagem, insira o estribo de manobra completamente, para além da primeira resistência do entalhe.
2. Montar o tambor de acordo com a sequência de imagens **B**.
3. Montar da manivela e ligação de acordo com a sequência de imagens **C**.

Armazenamento:

→ Guardar o carro de mangueira ao abrigo de geadas, antes do início do período de geadas.

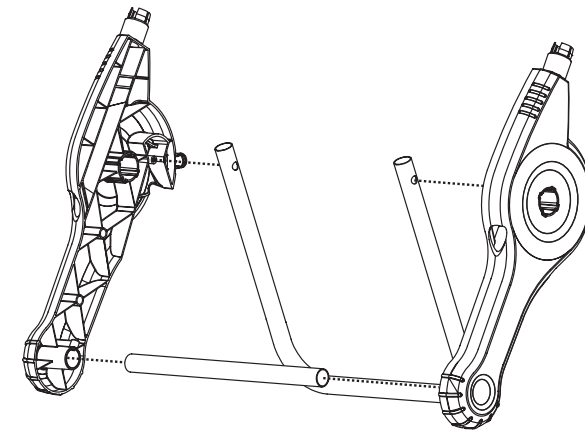
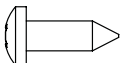
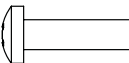
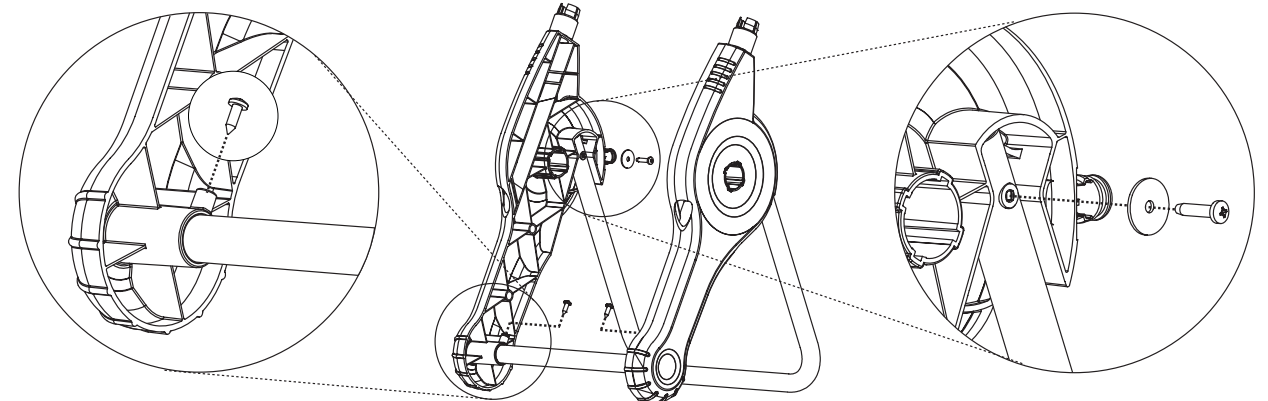
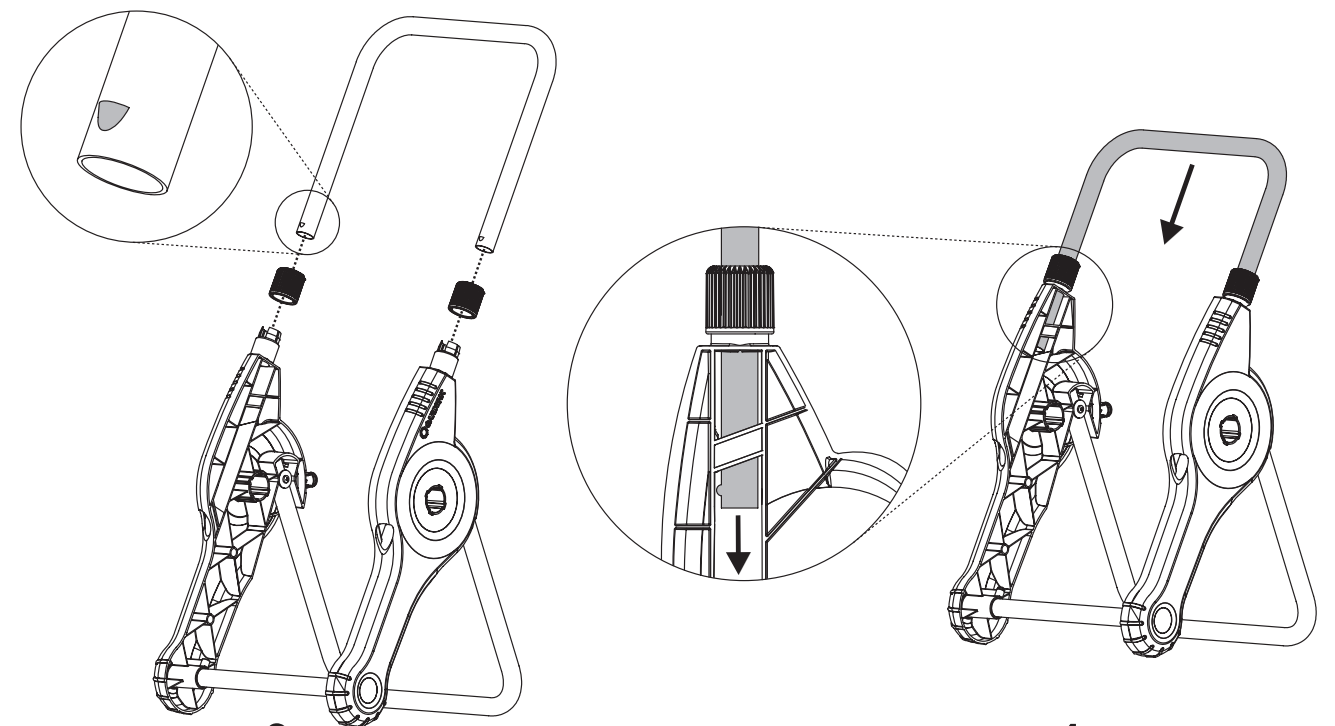
DK Montering:

Du skal bruge en stjerneskruetrækker for at samle din slangevogn.

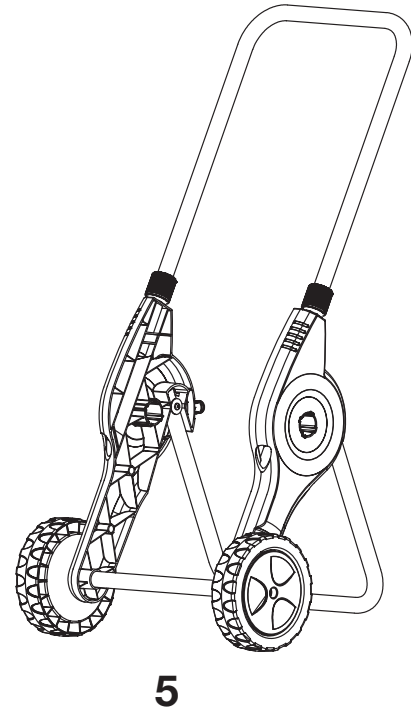
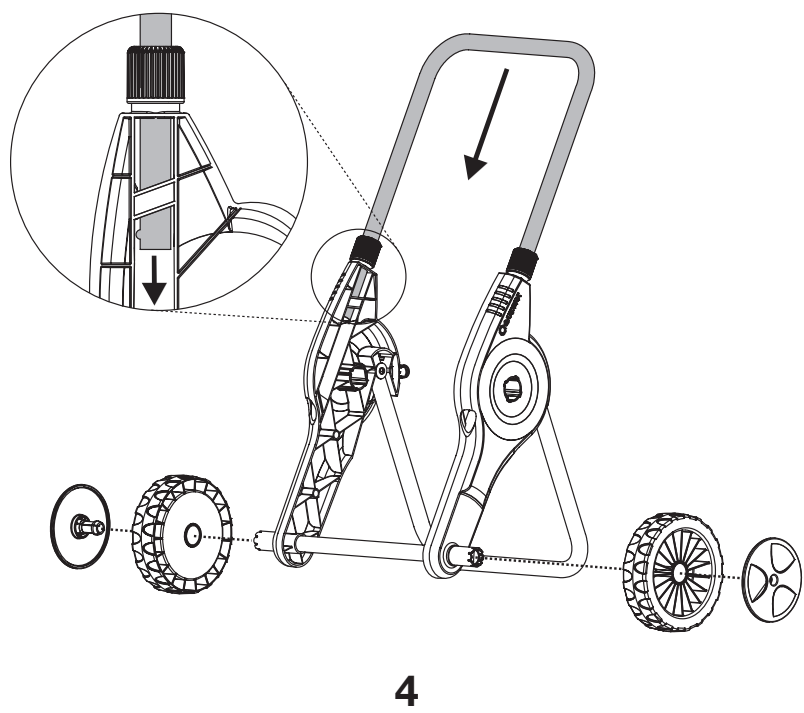
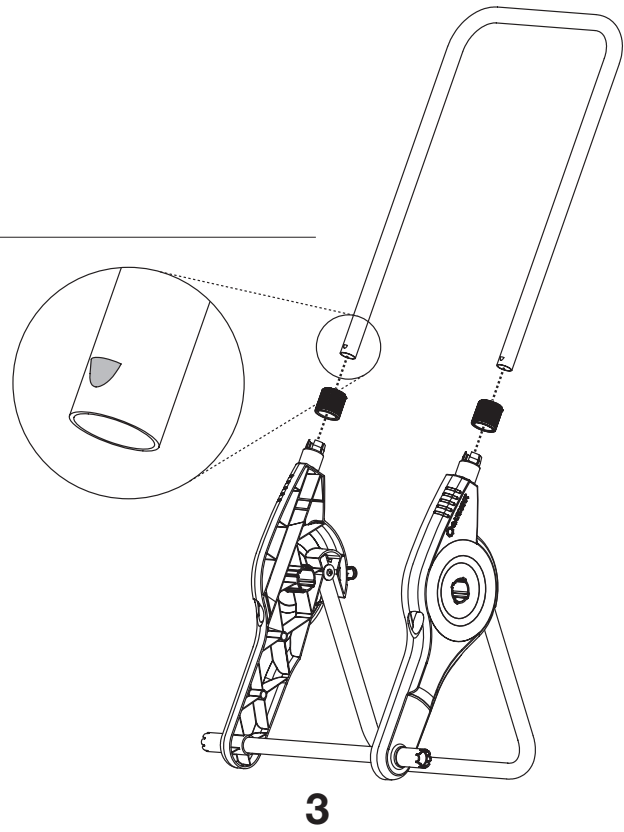
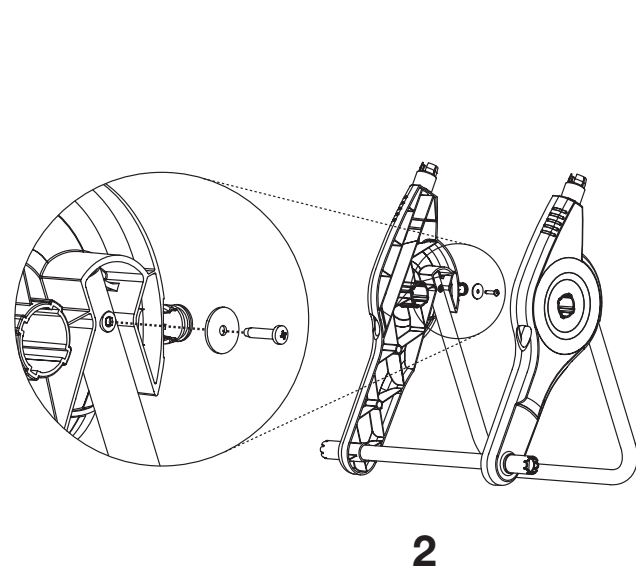
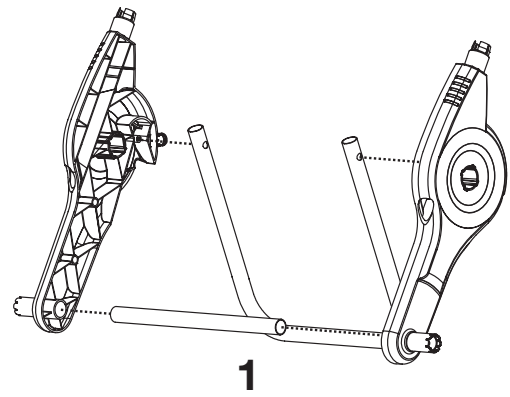
1. Slangevognen/slangetromle monteres i henhold til billederne **A**.
Skydebøjlen skal skubbes fuldstændigt ind over det mærkbare anslag ved første montering.
2. Tromlen monteres i henhold til billederne **B**.
3. Håndsving og kobling monteres i henhold til billederne **C**.

Opbevaring:

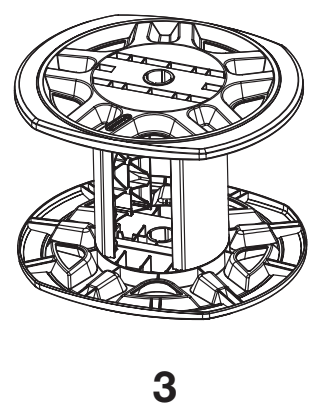
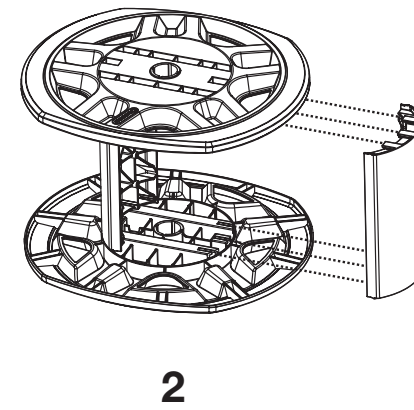
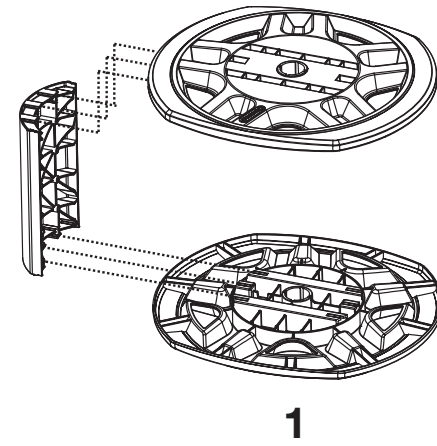
→ Før frostperioden skal slangevognen opbevares på et frostfrit sted.

A 2691**1**2 x  4,2 x 13 mm2 x  4,2 x 19 mm**2****3****4**

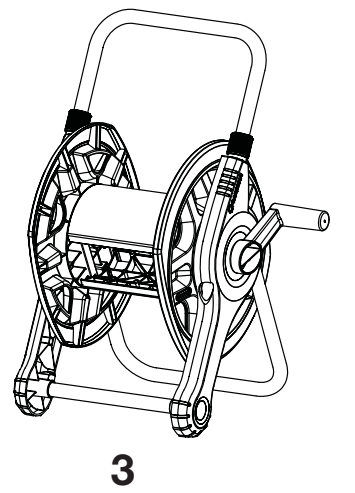
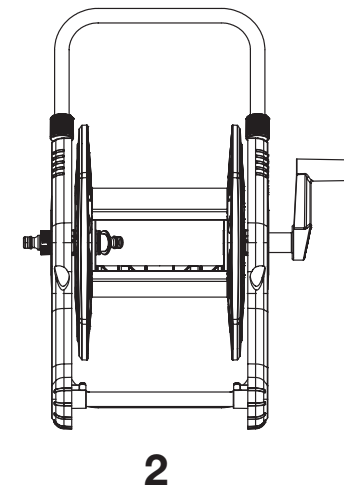
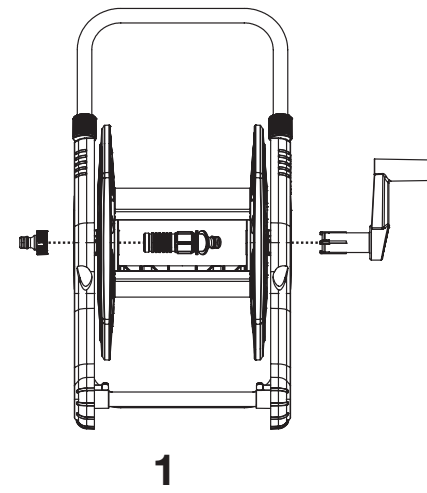
A 2692



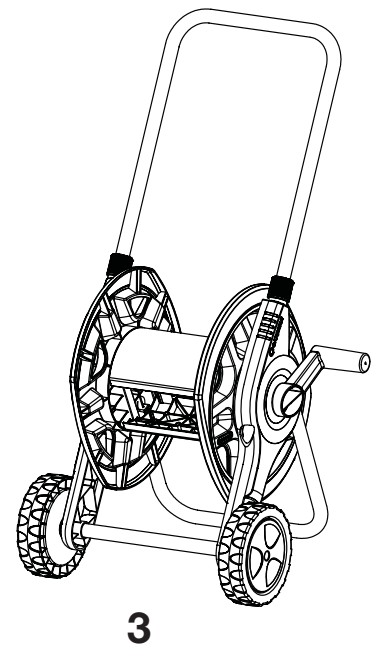
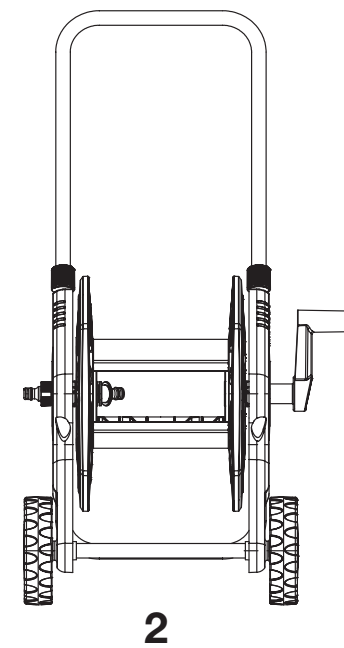
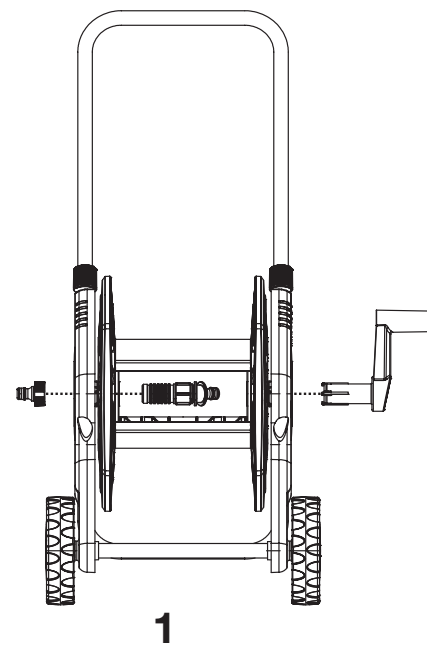
B



C 2691



C 2692



Service

Deutschland / Germany

GARDENA
Manufacturing GmbH
Central Service
Hans-Lorenser-Str. 40
89079 Ulm
Produktfragen:
(+49) 731 490-123
Reparaturen:
(+49) 731 490-290
service@gardena.com

Argentina

Husqvarna Argentina S.A.
Vera 745
(C1414A00) Buenos Aires
Phone: (+ 54) 11 4858-5000
diego.poggi@ar.husqvarna.com

Australia

Husqvarna Australia Pty. Ltd.
Locked Bag 18,
Gosford NSW 2250
or: 69 Chivers Rd,
Somersby NSW 2250
Phone: + 61 (0) 2 4372 1500
customer.service@husqvarna.com.au

Austria / Österreich

Husqvarna Austria GmbH
Consumer Products
Industriezeile 36
4010 Linz
Phone: (+43)(0)732/770101-90
consumer.service@husqvarna.at

Belgium

GARDENA Belgium NV/SA
Sterrebeekstraat 163
1930 Zaventem
Phone: (+32) 27 20 921 2
info@gardena.be

Brazil

Palash Importação
e Comércio Ltda
Rua São João do Araguaia, 338
Barueri – SP – CEP: 06409-060
Phone: (+55) 11 4198-9777
eduardo@palash.com.br

Bulgaria

Husqvarna Bulgaria Eood
72 Andrey Ljapchev Blvd.
1799 Sofia
Phone: 02/975 3076

Canada

GARDENA Canada Ltd.
100 Summerlea Road
Brampton, Ontario L6T 4X3
Phone: (+1) 905 792 93 30
info@gardenacanada.com

Chile

Garden Chile S.A.
San Sebastián 2839
Ofic. 701 A
Las Condes - Santiago de Chile
Phone: (+56) 2 20 10 708
garfar_cl@yahoo.com

Costa Rica

Compania Exim
Euroiberoamericana S.A.
Aptdo Postal 1260
San José
Phone: (+506) 223 20 75
exim_euro@racsa.co.cr

Croatia

SILK ADRIA d.o.o.
Josipa Lončara 3
10090 Zagreb
Phone: (+385) 1 3794 580
silk.adria@zg.t-com.hr

Cyprus

FARMOKIPIKI LTD
P.O. Box 7098
74, Digeni Akrita Ave.
1641 Nicosia
Phone: (+357) 22 75 47 62
condam@spidernet.com.cy

Czech Republic

GARDENA spol. s.r.o.
Tuřanka 115
62700 Brno
Phone: (+420) 548 217 777
gardena@gardenabrno.cz

Denmark

GARDENA
Husqvarna Consumer Outdoor
Products
Salgsafdelning Danmark
Box 9003
200 39 Malmö
info@gardena.dk

Estonia

Husqvarna Eesti OÜ
Consumer Outdoor Products
Kesk tee 10, Aaviku küla
Rae vald, Harju maakond 75305
kontakt.etj@husqvarna.ee

Finland

Oy Husqvarna Ab
Consumer Outdoor Products
Lautatarhankatu 8 B/PL 3
00581 HELSINKI
info@gardena.fi

France

GARDENA France
Immeuble Exposial
9 – 11 allée des Pierres Mayettes
ZAC des Barbanniers
B.P. 99
92232 Gennevilliers cedex
Phone: (+33) 01 40 85 30 40
service.consommateurs@gardena.fr

Great Britain

Husqvarna UK Ltd
Preston Road
Aycliffe Industrial Park
Newton Aycliffe
Co Durham
DL5 6UP
info.gardena@husqvarna.co.uk

Greece

HUSQVARNA ΕΛΛΑΣ Α.Ε.Β.Ε.
Υπ/μα Ηφαιστίου 33Α
Βι. Πλ. Κορωπίου
19400 Κορωπί Αττικής
Phone: (+30) 210 6620225 – 6
service@agrokkip.gr

Hungary

Husqvarna
Magyarország Kft.
Ezred u. 1 – 3
1044 Budapest
Phone: (+ 36) 80204033
gardena.gardena.hu

Iceland

Ó. Johnson & Kaaber
Tunguhalsi 1
110 Reykjavik
ooj@ojk.is

Ireland

McLoughlins RS
Unit 5
Norther Cross Business Park
North Road, Finglas
Dublin 11

Italy

GARDENA Italia S.p.A.
Via Donizetti 22
20020 Lainate (Mi)
Phone: (+39) 02.93.94.79.1
info@gardenaitalia.it

Japan

KAKUICHI co., Ltd.
Sumitomo Realty & Development Koji-
machi
BLDG., 8F
5 – 1 Nibanncoyo, chiyoda-ku,
Tokyo 102-0084
Phone: (+81)-(0)3-3264-4721
m_ishihara@kaku-ichi.co.jp

Latvia

SIA „Husqvarna Latvija“
Consumer Outdoor Products
Bākūžu iela 6, Rīga, LV-1024
info@husqvarna.lv

Lithuania

UAB Husqvarna Lietuva
Consumer Outdoor Products
Ateities pl. 77C
LT-52104 Kaunas
centras@husqvarna.lt

Luxembourg

Magasins Jules Neuberger
39, rue Jacques Stas
Luxembourg-Gasperich 2549
Case Postale No. 12
Luxembourg 2010
Phone: (+352) - 40 14 01
api@neuberger.lu

Netherlands

GARDENA Nederland B.V.
Postbus 50176
1305 AD ALMERE
Phone: (+31) 36 521 00 00
info@gardena.nl

Neth. Antilles

Jonka Tuincentrum
Sta. Rosa Weg 196
P.O. Box 8200
Curaçao
Phone: (+599) 9 767 66 55
pgm@jonka.com

New Zealand

Husqvarna New Zealand Ltd.
51 Aintree Avenue
Mangere, Manukau 2022
or: PO Box 76437
Manukau City 2241
Phone: (09)9202410

Norway

GARDENA
Husqvarna Consumer Outdoor
Products
Salgskontor Norge
Kleverteien 6
1540 Vestby
info@gardena.no

Poland

HUSQVARNA Poland Spółka z o.o.
ul. Wysockiego 15 b
03-371 Warszawa
Oddział w Szymanowie
Szymanów 9 d
05-532 Baniocha

Portugal

GARDENA Portugal Lda.
Escritórios
Sintra Business Park
Edifício 1 - Fracção O G
Abrunheira
2710-089 Sintra
info@gardena.pt

Romania

MADEX INTERNATIONAL SRL
Șoseaua Odăii 117 – 123
Sector 1, București,
RO 013603
Phone: (+40) 21 352-7603/4/5/6
madex@gardena.ro

Russia / Россия

ООО «Husqvarna»
Leningradskaya street, vladenie 39
Khimki Business Park
Building 2, 4th floor
141400 Moscow Region, Khimki
Phone: +7 (495) 797 26 70

Singapore

HY-RAY PRIVATE LIMITED
40 Jalan Pemimpin
#02-08 Tat Ann Building
Singapore 577185
Phone: (+65) 6253 2277
shiyang@hyray.com.sg

Serbia

DOMEL d.o.o.
Savski Nasip 7
11070 Novi Beograd
Serbia
Phone: (+381) 11 2772 204
miroslav.jejina@domel.co.yu

Slovenia

GARDENA d.o.o.
Brodšče 15
1236 Trzin
Phone: (+386) 1 580 93 32
servis@gardena.si

South Africa

GARDENA
South Africa (Pty.) Ltd.
P.O. Box 11534
Vorna Valley 1686
Phone: (+27) 11 315 02 23
sales@gardena.co.za

Spain

GARDENA IBÉRICA S.L.U.
C/Basauri, nº 6
La Florida
28023 Madrid
Phone: (+34) 91 708 05 00
(4 líneas)
atencioncliente@gardena.es

Sweden

GARDENA
Husqvarna Consumer Outdoor Pro-
ducts
Försäljningskontor Sverige
Box 9003
20039 Malmö
info@gardena.se

Switzerland / Schweiz

Husqvarna Schweiz AG
Consumer Products
Industriestrasse 10
5506 Mägenwil
Phone: +41 (0) 62 887 37 00
info@gardena.ch

Turkey

GARDENA Dost Diş Ticaret
Mümesillik A.Ş.
Sanayi Çad. Adil Sok. No. 1
34873 Kartal – Istanbul
Phone: (+90) 216 38 93 939
info@gardena-dost.com.tr

Ukraine / Україна

ТОВ «ГАРДЕНА УКРАЇНА»
Васильківська, 34, 204-Г
03022, Київ
Тел.: (+38044) 498 39 02
info@gardena.ua

USA

GARDENA Canada Ltd.
100 Summerlea Road
Brampton, Ontario L6T 4X3
Phone: (+1) 905 792 93 30
info@gardenacanada.com

2691-20.961.02/0309
© GARDENA Manufacturing GmbH
D-89070 Ulm
http://www.gardena.com