

Art. 2602

D	Montageanleitung Wandschlauchtrommel
GB	Assembly Instructions Wall Mounted Hose Reel
F	Mode d'emploi Dévidoir mural portable
NL	Montage-instructie Wandslanghouder
S	Monteringsanvisning Slangvinda 2-i-ett
I	Istruzioni per il montaggio Avvolgitubo con supporto murale
E	Instrucciones para el montaje Soporte mural para manguera portátil
P	Instrução de montagem Tambor para mangueira de parede
DK	Montageanvisning Slangeholder til væg

D**Wandschlauchhalter montieren:**

1. Untere Halterung ① mit den **mitgelieferten 6-mm-Dübeln** und Schrauben ② waagrecht an eine Wand schrauben.
2. Schlauchträger ③ in die untere Halterung ① einsetzen und die beiden Bohrungen für die obere Halterung ④ markieren.
Die obere Halterung ④ mit den **mitgelieferten 6-mm-Dübeln** und Schrauben ⑤ an die Wand schrauben.
3. Schlauchträger ③ in beide Halterungen ①/④ einsetzen und mit dem Hebel ⑥ sichern.

GB**Mounting the Wall Hose Bracket:**

1. Fasten the lower mount ① horizontally to a wall using the **6 mm dowels** and screws ② **provided**.
2. Insert the hose carrier ③ into the lower mount ① and mark the position of the two drill holes for the upper mount ④.
Fasten the upper mount ④ to the wall using the **6 mm dowels** and screws ⑤ **provided**.
3. Insert the hose carrier ③ into both mounts ①/④ and secure in place with the lever ⑥.

F**Fixation du dévidoir mural :**

1. Fixez horizontalement à un mur le support inférieur ① avec les **chevilles 6 mm** et vis ② **fournies**.
2. Introduisez le dévidoir ③ dans le support inférieur ① et marquez les deux alésages pour le support supérieur ④.
Fixez au mur le support supérieur ④ avec les **chevilles 6 mm** et vis ⑤ **fournies**.
3. Introduisez le dévidoir ③ dans les deux supports ①/④ et bloquez-le avec le levier ⑥.

NL**Wandslanghouder monteren:**

1. Onderste houder ① met de **meegeleverde 6 mm pluggen** en schroeven ② horizontaal tegen een wand schroeven.
2. Slangdrager ③ in de onderste houder ① plaatsen en de beide gaten voor de bovenste houder ④ markeren.
De bovenste houder ④ met de **meegeleverde 6 mm pluggen** en schroeven ⑤ tegen de wand schroeven.
3. Slangdrager ③ in beide houders ①/④ plaatsen en met de hendel ⑥ vastzetten.

S**Montering av väggmonterad slanghållare:**

1. Skruva fast det undre fästet ① vågrätt på en vägg med de **bifogade 6 mm pluggarna** och skruvarna ②.
2. Skjut in slanghållaren ③ i den undre fästet ① och markera de båda hålen för det övre fästet ④. Skruva fast det övre fästet ④ på väggen med de **bifogade 6 mm pluggarna** och skruvarna ⑤.
3. Skjut in slanghållaren ③ i de båda fästena ①/④ och säkra den med spaken ⑥.

I**Montaggio del reggi-carrello:**

1. Fissare a parete il supporto inferiore ①, in posizione orizzontale, usando i **tasselli da 6 mm** e le viti ② in dotazione.
2. Poggiare il carrello ③ sul supporto inferiore ①; posizionare il supporto superiore ④ al centro del manico del carrello, avvicinarlo alla parete e, con una matita, segnare i punti in cui eseguire i due fori. Fissare quindi a parete il supporto superiore ④ usando i **tasselli da 6 mm** e le viti ⑤ in dotazione.
3. Inserire il carrello ③ nei supporti (① e ④) e bloccarlo con il fermo ⑥.

E**Montar el soporte mural para manguera:**

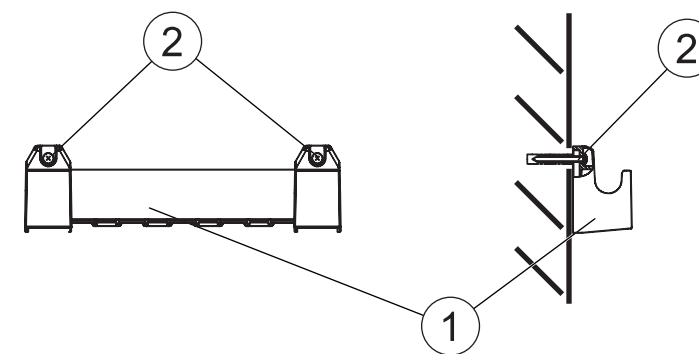
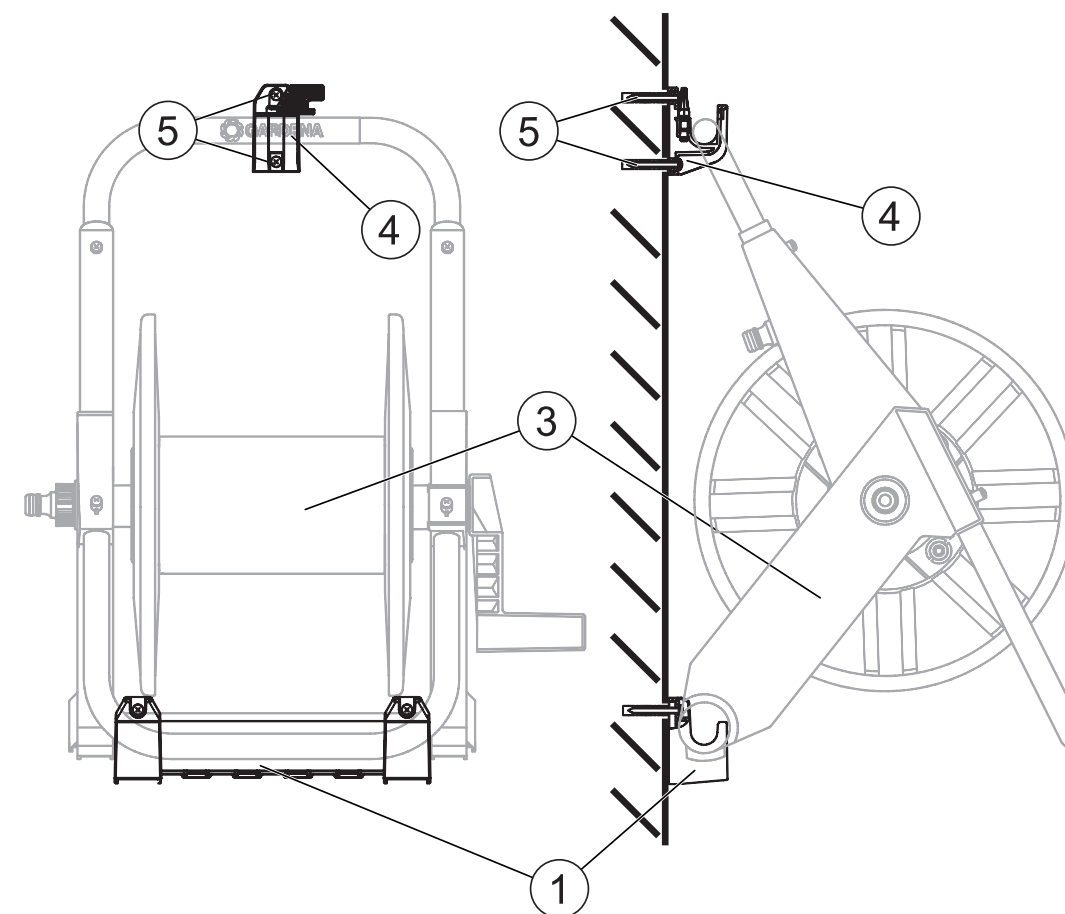
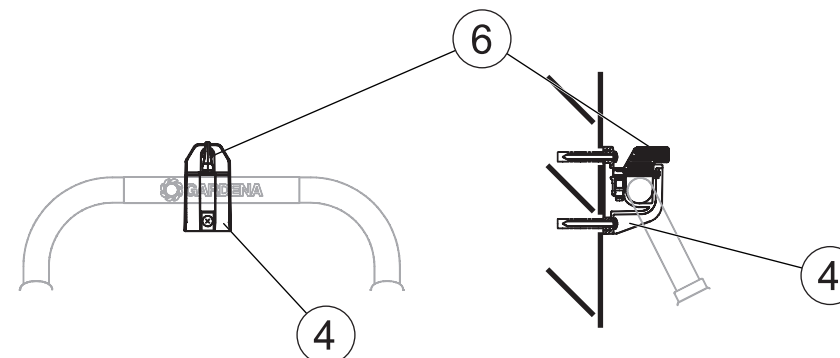
1. Fijar el soporte inferior ① en posición horizontal en la pared con los **tacos** y tornillos **de 6 mm** ②, que se adjuntan.
2. Poner el soporte portamanguera ③ en el soporte inferior ① y marcar los dos agujeros para el soporte superior ④.
Fijar el soporte superior ④ en la pared con los **tacos** y tornillos **de 6 mm** ⑤, que se adjuntan.
3. Poner el soporte portamanguera ③ en ambos soportes ①/④ y sujetarlo con la palanca ⑥.

P**Montagem do suporte de mangueira de parede:**

1. Aparafuse o suporte inferior ① horizontalmente à parede, através das **buchas** e parafusos **de 6 mm** ② **fornecidos**.
2. Insira o porta-mangueira ③ no suporte inferior ① e marque os dois furos para o suporte superior ④. Aparafuse o suporte superior ④ à parede, através das **buchas** e parafusos **de 6 mm** ⑤ **fornecidos**.
3. Insira o porta-mangueira ③ em ambos os suportes ①/④ e segure-o mediante a alavanca ⑥.

DK**Montering af slangeholder til væg:**

1. Den nederste holder ① skrues vandret på en væg med de **medleverede 6 mm-dyvlér** og skruerne ②.
2. Slangebæreren ③ anbringes i den nederste holder ① og begge borerer til den øverste holder ④ markeres.
Den øverste holder ④ skrues på væggen med de **medleverede 6 mm-dyvlér** og skruerne ⑤.
3. Slangebæreren ③ anbringes i begge holdere ①/④ og sikres med håndtaget ⑥.

1**2****3**

Service

Deutschland / Germany

GARDENA
Manufacturing GmbH
Central Service
Hans-Lorenser-Str. 40
89079 Ulm
Produktfragen:
(+49) 731 490-123
Reparaturen:
(+49) 731 490-290
service@gardena.com

Argentina

Husqvarna Argentina S.A.
Vera 745
(C1414A00) Buenos Aires
Phone: (+ 54) 11 4858-5000
diego.poggi@ar.husqvarna.com

Australia

Husqvarna Australia Pty. Ltd.
Locked Bag 18,
Gosford NSW 2250
or: 69 Chivers Rd,
Somersby NSW 2250
Phone: + 61 (0) 2 4372 1500
customer.service@husqvarna.com.au

Austria / Österreich

Husqvarna Austria GmbH
Consumer Products
Industriezeile 36
4010 Linz
Phone: (+43)(0)732/770101-90
consumer.service@husqvarna.at

Belgium

GARDENA Belgium NV/SA
Sterrebeekstraat 163
1930 Zaventem
Phone: (+32) 27 20 921 2
info@gardena.be

Brazil

Palash Importação
e Comércio Ltda
Rua São João do Araguaia, 338
Barueri – SP – CEP: 06409-060
Phone: (+55) 11 4198-9777
eduardo@palash.com.br

Bulgaria

Husqvarna Bulgaria Eood
72 Andrey Ljapchev Blvd.
1799 Sofia
Phone: 02/975 3076

Canada

GARDENA Canada Ltd.
100 Summerlea Road
Brampton, Ontario L6T 4X3
Phone: (+1) 905 792 9330
info@gardenacanada.com

Chile

Garden Chile S.A.
San Sebastián 2839
Ofic. 701 A
Las Condes - Santiago de Chile
Phone: (+56) 220 10708
garfar_cl@yahoo.com

Costa Rica

Compania Exim
Euroiberoamericana S.A.
Aptdo Postal 1260
San José
Phone: (+506) 223 2075
exim_euro@racsa.co.cr

Croatia

KLIS d.o.o.
Stancičeva 79
10419 Vukovina
Phone: (+385) 1 622 7770
gardena@klis-trgovina.hr

Cyprus

FARMOKIPIKI LTD
P.O. Box 7098
74, Digeni Akrita Ave.
1641 Nicosia
Phone: (+357) 2275 4762
condam@spidernet.com.cy

Czech Republic

GARDENA spol. s.r.o.
Tuřanka 115
62700 Brno
Phone: (+420) 548217777
gardena@gardenabrno.cz

Denmark

GARDENA
Husqvarna Consumer Outdoor
Products
Salgsafdelning Danmark
Box 9003
20039 Malmö
info@gardena.dk

Estonia

Husqvarna Eesti OÜ
Consumer Outdoor Products
Kesk tee 10, Aaviku küla
Rae vald, Harju maakond 75305
kontakt.etj@husqvarna.ee

Finland

Oy Husqvarna Ab
Consumer Outdoor Products
Lautatarhankatu 8 B/PL 3
00581 HELSINKI
info@gardena.fi

France

GARDENA France
Immeuble Exposial
9 – 11 allée des Pierres Mayettes
ZAC des Barbanniers
B.P. 99
92232 Gennevilliers cedex
Phone: (+33) 01 40 85 30 40
service.consommateurs@gardena.fr

Great Britain

Husqvarna UK Ltd
Preston Road
Aycliffe Industrial Park
Newton Aycliffe
Co Durham
DL5 6UP
info.gardena@husqvarna.co.uk

Greece

HUSQVARNA ΕΛΛΑΣ Α.Ε.Β.Ε.
Υπ/μα Ηφραίτου 33Α
Βι. Πλ. Κορωπίου
19400 Κορωπί Αττικής
Phone: (+30) 210 6620225 – 6
service@agropkip.gr

Hungary

Husqvarna
Magyarország Kft.
Ezred u. 1 – 3
1044 Budapest
Phone: (+ 36) 80204033
gardena.gardena.hu

Iceland

Ó. Johnson & Kaaber
Tunguhalsi 1
110 Reykjavik
ooj@ojk.is

Ireland

McLoughlins RS
Unit 5
Norther Cross Business Park
North Road, Finglas
Dublin 11

Italy

GARDENA Italia S.p.A.
Via Donizetti 22
20020 Lainate (Mi)
Phone: (+39) 02.93.94.79.1
info@gardenaitalia.it

Japan

KAKUICHI co., Ltd.
Sumitomo Realty & Development Koji-
machi
BLDG., 8F
5 – 1 Nibanncoyo, chiyoda-ku,
Tokyo 102-0084
Phone: (+81)-(0)3-3264-4721
m_ishihara@kaku-ichi.co.jp

Latvia

SIA „Husqvarna Latvija“
Consumer Outdoor Products
Bākūžu iela 6, Rīga, LV-1024
info@husqvarna.lv

Lithuania

UAB Husqvarna Lietuva
Consumer Outdoor Products
Ateities pl. 77C
LT-52104 Kaunas
centras@husqvarna.lt

Luxembourg

Magasins Jules Neuberger
39, rue Jacques Stas
Luxembourg-Gasperich 2549
Case Postale No. 12
Luxembourg 2010
Phone: (+352) - 40 14 01
api@neuberger.lu

Netherlands

GARDENA Nederland B.V.
Postbus 50176
1305 AD ALMERE
Phone: (+31) 36 521 00 00
info@gardena.nl

Neth. Antilles

Jonka Tuincentrum
Sta. Rosa Weg 196
P.O. Box 8200
Curaçao
Phone: (+599) 9 767 66 55
pgm@jonka.com

New Zealand

Husqvarna New Zealand Ltd.
51 Aintree Avenue
Mangere, Manukau 2022
or: PO Box 76437
Manukau City 2241
Phone: (09)9202410

Norway

GARDENA
Husqvarna Consumer Outdoor
Products
Salgskontor Norge
Kleverteien 6
1540 Vestby
info@gardena.no

Poland

HUSQVARNA Poland Spółka z o.o.
ul. Wysockiego 15 b
03-371 Warszawa
Oddział w Szymanowie
Szymanów 9 d
05-532 Baniocza

Portugal

GARDENA Portugal Lda.
Escritórios
Sintra Business Park
Edifício 1 - Fracção 0 G
Abrunheira
2710-089 Sintra
info@gardena.pt

Romania

MADEX INTERNATIONAL SRL
Șoseaua Odăii 117 – 123
Sector 1, București,
RO 013603
Phone: (+40) 21 352-7603/4/5/6
madex@gardena.ro

Russia / Россия

ООО «Husqvarna»
Leningradskaya street, vladenie 39
Khimki Business Park
Building 2, 4th floor
141400 Moscow Region, Khimki
Phone: +7 (495) 797 26 70

Singapore

HY-RAY PRIVATE LIMITED
40 Jalan Pemimpin
#02-08 Tat Ann Building
Singapore 577185
Phone: (+65) 6253 2277
shiyang@hyray.com.sg

Serbia

DOMEL d.o.o.
Savski Nasip 7
11070 Novi Beograd
Serbia
Phone: (+381) 11 2772 204
miroslav.jejina@domel.co.yu

Slovenia

GARDENA d.o.o.
Brodšče 15
1236 Trzin
Phone: (+386) 1 580 93 32
servis@gardena.si

South Africa

GARDENA
South Africa (Pty.) Ltd.
P.O. Box 11534
Vorna Valley 1686
Phone: (+27) 11 315 02 23
sales@gardena.co.za

Spain

GARDENA IBÉRICA S.L.U.
C/Basauri, nº 6
La Florida
28023 Madrid
Phone: (+34) 91 708 05 00
(4 líneas)
atencioncliente@gardena.es

Sweden

GARDENA
Husqvarna Consumer Outdoor Pro-
ducts
Försäljningskontor Sverige
Box 9003
20039 Malmö
info@gardena.se

Switzerland / Schweiz

Husqvarna Schweiz AG
Consumer Products
Industriestrasse 10
5506 Mägenwil
Phone: +41 (0) 62 887 37 00
info@gardena.ch

Turkey

GARDENA Dost Diş Ticaret
Mümesillik A.Ş.
Sanayi Çad. Adil Sok. No. 1
34873 Kartal – Istanbul
Phone: (+90) 216 38 93 939
info@gardena-dost.com.tr

Ukraine / Україна

ТОВ «ГАРДЕНА УКРАЇНА»
Васильківська, 34, 204-Г
03022, Київ
Тел.: (+38044) 498 39 02
info@gardena.ua

USA

GARDENA Canada Ltd.
100 Summerlea Road
Brampton, Ontario L6T 4X3
Phone: (+1) 905 792 9330
info@gardenacanada.com

2602-20.961.06/0209
© GARDENA Manufacturing GmbH
D-89070 Ulm
http://www.gardena.com