

Comfort 500 **Art. 433**

Comfort 800 **Art. 435**

D **Montageanleitung**
Streuwagen

GB **Assembly Instructions**
Spreader

F **Instructions de montage**
Epandeur

NL **Montage-instructie**
Strooiwagen

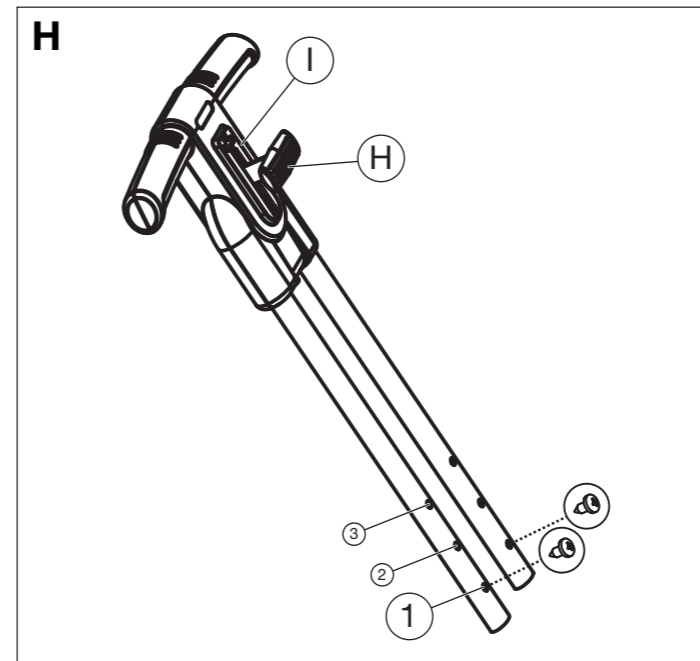
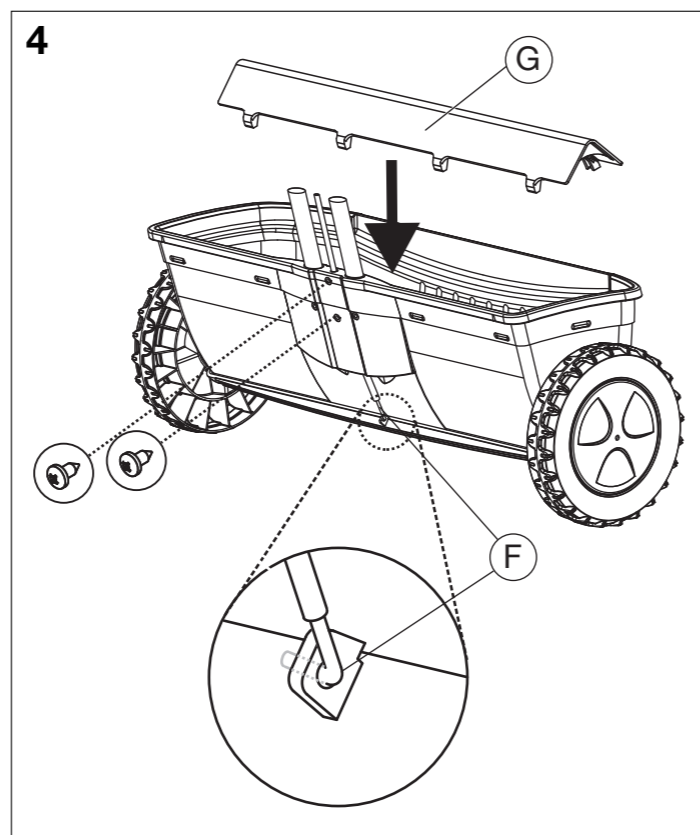
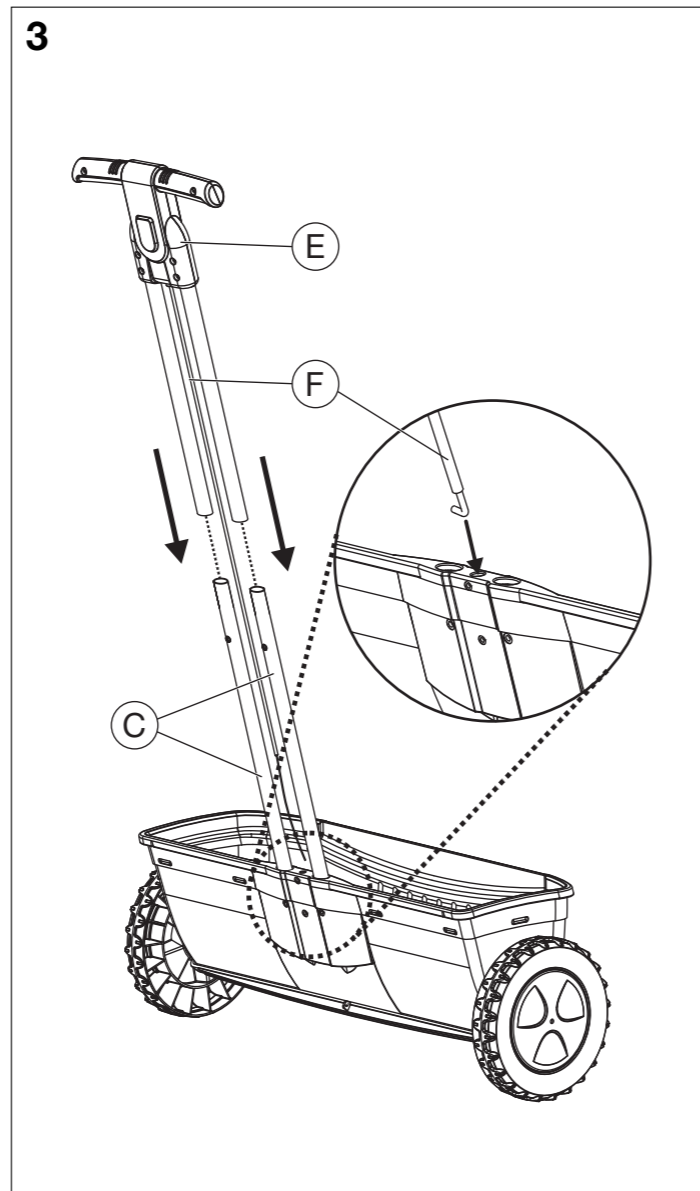
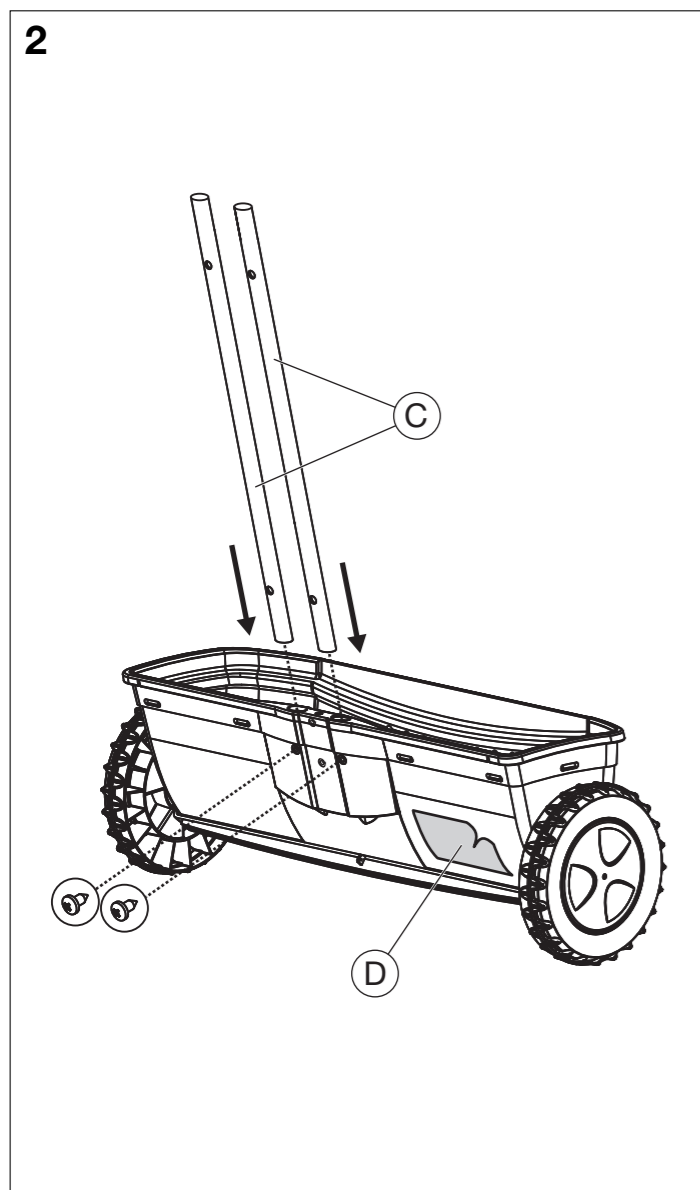
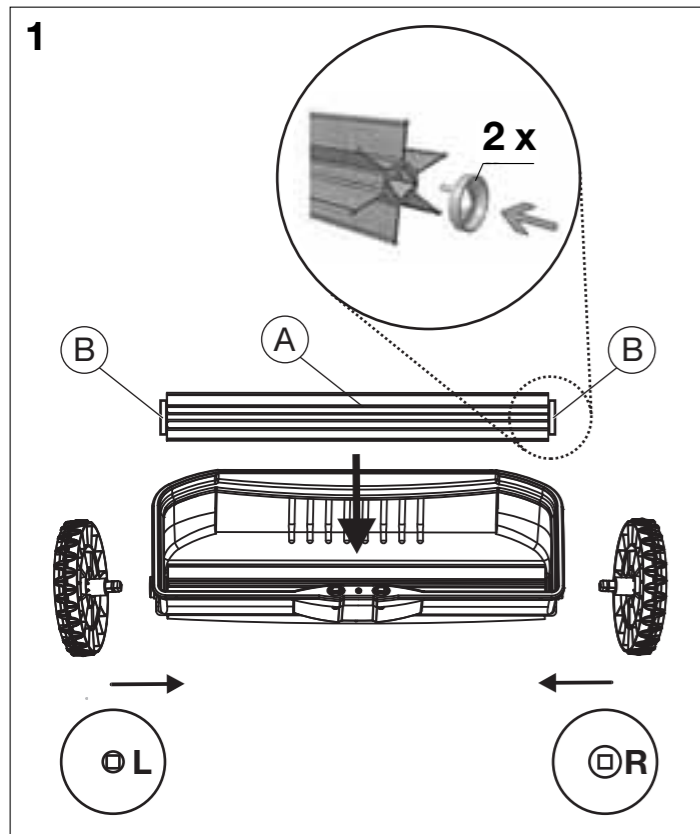
S **Monteringsanvisning**
Universalspridare

DK **Monteringsvejledning**
Universalspreder

I **Istruzioni di montaggio**
Spandiconcime

E **Instrucciones de montaje**
Carro esparcidor

P **Instruções de montagem**
Carro semeador



D

Montage:

1. Walze ④ montieren. Dabei darauf achten, dass die beiden Manschetten ⑤ auf der Walze ④ aufgesteckt sind. Räder bis zur Endposition eindrücken. (L und R beachten).
2. Holme ③ einstecken und festschrauben. Streuguttabelle ⑦ aufkleben.
3. Griff ⑥ auf die Holme ③ schieben und bei Position ① einschrauben (siehe Bild H). Bowdenzug ⑧ durch die Bohrung führen.
4. Hebel ⑨ auf 0-Stellung bringen. Bowdenzug ⑧ in die Lochung der Streuleiste eindrücken (ggf. mit Werkzeug) und mit beiden Schrauben in gestreckter Position festschrauben. Dabei darf der Bowdenzug ⑧ nicht geknickt werden. Walzen-Abdeckung ④ montieren.

Streuenge einstellen:

Gewünschte Streuenge entsprechend der Streuguttabelle ⑦ auf der Einstellskala ① wählen und die Hinweise des Streugutherstellers beachten.

1. Vor dem Einfüllen des Streuguts Hebel ⑨ auf 0-Stellung (geschlossen) bringen.
2. Zum Einstellen der Streuenge den Hebel ⑨ an gewünschter Stelle der Einstellskala ① wieder einrasten lassen.

Bei Unterbrechung und zum Transport den Hebel ⑨ auf 0-Stellung bringen. Auf 0-Stellung den Streuwagen immer ziehen (Freilauf-Funktion). Bei der Wende (Bild W) rückwärts fahren und den Freilauf nutzen (verhindert ungleichmäßiges Ausbringen). Dabei kann eine geringe Menge Streugut ausgestreut werden. Für die Freilauf-Funktion müssen min. 750 g Streugut eingefüllt sein.

GB

Assembly:

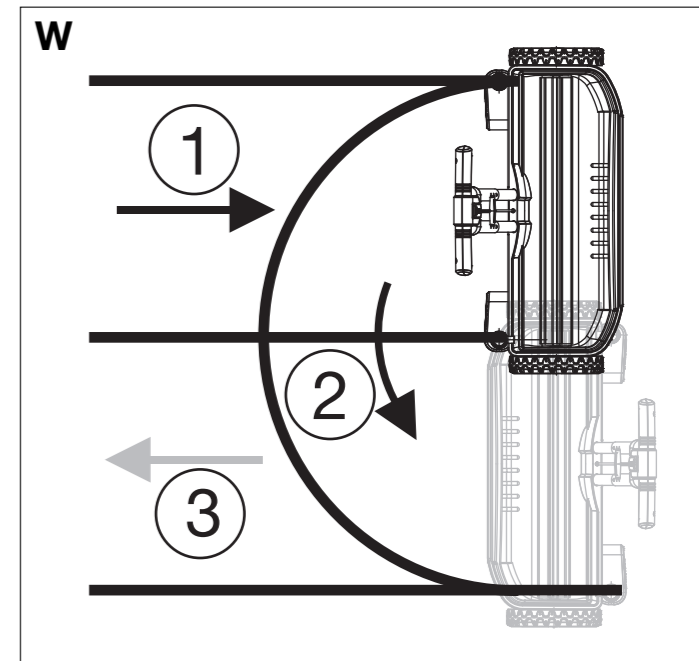
1. Assemble cylinder ④. Ensure that the two collars ⑤ are fitted to the cylinder ④. Push wheels in to end position. (Observe L and R).
2. Insert the beams ③ and screw tightly in place. Stick on the dosage table ⑦.
3. Push handle ⑥ onto the shafts ③ and screw into position ① (see figure H). Feed the Bowden cable ⑧ through the hole.
4. Place lever ⑨ in 0 position. Push Bowden cable ⑧ into the hole of the spreader bar (with tool if necessary) and screw tight in stretched position with the two screws. The Bowden cable ⑧ must not be bent. Fit cylinder cover ④.

Setting the spreading quantity:

Select the spreading quantity you require by referring to the dosage table ⑦ on the setting scale ①. Comply with the instructions given by the grit manufacturer.

1. Before pouring in the spreading material, bring the lever ⑨ into the 0-position (closed).
2. In order to set the spreading quantity, let the lever ⑨ engage in the required position on the setting scale ① again.

When interrupting operation or transporting the device, place the lever ⑨ in the 0-position. Always pull the spreader into 0-position (freewheel function). When turning (Fig. W), move backwards and use freewheel (prevents irregular discharge). Can be used to spread small quantities of



Holmlänge einstellen Bild H:

3-stufige Teleskopierung ①, ② und ③.
→ Holm in gewünschter Stellung einschrauben.

Ordnungsgemäßer Gebrauch:

Der Streuwagen dient der Ausbringung von folgendem Streugut: Dünger, Samen, Kalk, Sand, Splitt, Salz, Winterstreugut.

Wartung / Lagerung:

Nach dem Gebrauch die Walzen-Abdeckung ④ abnehmen, den Streuwagen entleeren und mit Wasser ausspülen. Reste des Streuguts entsprechend den kommunalen Vorschriften entsorgen.

Hinweis:

Die Empfehlungen auf der Streuguttabelle sind wegen den unterschiedlichen Korngrößen von Dünger und Samen nur unverbindliche Richtwerte.

Lieferbares Zubehör für Streuwagen Comfort 500 (Art. 433):

GARDENA Komplettsatz zur Streuweg Markierung Art. 439.

Garantie:

GARDENA gewährt für dieses Produkt 2 Jahre Garantie (ab Kaufdatum). Die Verbrauchsteile (z. B. Dünger) sind von der Garantie ausgeschlossen.

fertiliser, grit etc. At least 750 g fertiliser, grit etc. must be filled for the freewheel function.

Setting the handle length Fig. H:

3-stage telescopic handle ①, ②, and ③.
→ Screw handle in the required position.

Correct usage:

The spreader is used to discharge the following types of material: fertiliser, seeds, lime, sand, chippings, salt and winter grit.

Maintenance / storage:

After use remove cylinder cover ④, empty spreader and rinse out with water. Dispose of any material residue in accordance with local regulations.

Note:

Due to the different sizes of fertiliser and seeds, the information on the dosage table is given for reference purposes only.

Accessories available for Spreader Comfort 500 (Art. 433):

GARDENA complete set for spreading path marking Art. 439.

Warranty:

GARDENA offers a warranty of 2 years (from date of purchase) on this product. The warranty does not cover non-repairable parts (e. g. fertiliser).

P

Montagem:

1. Montar o cilindro [Ⓐ]. Ao fazê-lo, cuidar que as duas guarnições [Ⓑ] estejam colocadas sobre o cilindro [Ⓐ]. Encaixar as rodas até a posição final. (Observar lado direito e esquerdo **(L e R)**).
2. Encaixar as travessas [Ⓒ] e aparafuse-a bem. Colar a tabela de dispersão [Ⓓ].
3. Inserir a pega dentro [Ⓔ] dos tubos [Ⓒ] e enrosque-a na posição [Ⓛ] (ver **imagem H**). Passar o cabo Bowden [Ⓕ] pelo furo.
4. Colocar a alavanca [Ⓜ] na posição 0. Enfiar o cano Bowden [Ⓔ] nos furos da régua de espalhamento (caso necessário, utilizar uma ferramenta) e aparafusar com os dois parafusos na posição inserida. O cabo Bowden [Ⓔ] não deve ser dobrado. Montar a cobertura do cilindro [Ⓒ].

Ajuste da quantidade a dispersar:

Seleccionar a quantidade a dispersar requerida pela tabela de dispersão [Ⓓ] na escala de ajuste [Ⓛ] e ter em atenção as indicações do fabricante fertilizante.

1. Antes de do enchimento com o fertilizante, colocar a alavanca [Ⓜ] na posição 0 (fechado).
2. Para o ajuste da quantidade a dispersar, engatar de novo a alavanca [Ⓜ] na posição desejada da escala de ajuste [Ⓛ].

Após interrupção ou para o transporte, colocar a alavanca [Ⓜ] na posição 0. Arrastar o carro semeador sempre na posição 0 (função roda livre). Numa viragem (**fig. W**) recuar e utilizar a roda livre (evita dispersão irregular). Aqui pode ser distribuída uma pequena quantidade de material de espalhamento. Para o funcionamento com roda livre, têm de estar atestados, pelo menos, 750 g de material de espalhamento.

Service

Deutschland / Germany
 GARDENA
 Manufacturing GmbH
 Central Service
 Hans-Lorenser-Str. 40
 89079 Ulm
 Produktfragen:
 (+49) 731 490-123
 Reparaturen:
 (+49) 731 490-290
 service@gardena.com

Argentina
 Husqvarna Argentina S.A.
 Vera 745
 (C1414A00) Buenos Aires
 Phone: (+ 54) 11 4858-5000
 diego.poggi@ar.husqvarna.com

Australia
 Husqvarna Australia Pty. Ltd.
 Locked Bag 5,
 Central Coast BC, NSW 2252
 Phone: 0061 24352 7400
 customer.service@husqvarna.com.au

Austria / Österreich
 Husqvarna Austria GmbH
 Consumer Products
 Industriezeile 36
 4010 Linz
 Phone: (+43) (0) 732/77 01 01-90
 consumer.service@husqvarna.at

Belgium
 GARDENA Belgium NV/SA
 Leuvensesteenweg 555 b10
 1930 Zaventem
 Phone: (+32) 27 20 921 2
 info@gardena.be

Brazil
 Palash Importação e Comércio Ltda
 Rua São João do Araguaia, 338
 Barueri – SP – CEP: 06409-060
 Phone: (+55) 11 4198-9777
 eduardo@palash.com.br

Bulgaria
 Husqvarna Bulgaria Eood
 72 Andrey Ljapchev Blvd.
 1799 Sofia
 Phone: 02/9 75 30 76

Canada
 GARDENA Canada Ltd.
 100 Summerlea Road
 Brampton, Ontario L6T 4X3
 Phone: (+1) 905 792 93 30
 info@gardenacanada.com

Chile
 Garden Chile S.A.
 San Sebastián 2839
 Ofic. 701 A
 Las Condes - Santiago de Chile
 Phone: (+56) 2 20 10 708
 garfar_cl@yahoo.com

Costa Rica
 Compania Exim
 Euroiberoamericana S.A.
 Aptdo Postal 1260
 San José
 Phone: (+506) 223 20 75
 exim_euro@racsa.co.cr

Croatia
 SILK ADRIA d.o.o.
 Josipa Lončara 3
 10090 Zagreb
 Phone: (+385) 1 3794 580
 silk.adria@zg.t-com.hr

Cyprus
 FARMOKIPIKI LTD
 P.O. Box 7098
 74, Digeni Akrita Ave.
 1641 Nicosia
 Phone: (+357) 22 75 47 62
 condam@spidernet.com.cy

Czech Republic
 GARDENA spol. s.r.o.
 Tuřanka 115
 CZ-62700 Brno
 Phone: (+420) 548 217 777
 gardena@gardenabrno.cz

Denmark
 GARDENA
 Husqvarna Consumer Outdoor Products
 Salgsafdelning Danmark
 Box 9003
 200 39 Malmö
 info@gardena.dk

Estonia
 Husqvarna Eesti OÜ
 Consumer Outdoor Products
 Kesk tee 10, Aaviku küla
 Rae vald, Harju maakond 75305
 kontakt.etj@husqvarna.ee

Finland
 Oy Husqvarna Ab
 Consumer Outdoor Products
 Lautatarhankatu 8 B / PL 3
 00581 HELSINKI
 info@gardena.fi

France
 Husqvarna France S.A.S.
 9 – 11 allée des Pierres Mayettes
 ZAC des Barbannières
 B.P. 99
 92232 Gennevilliers cedex
 Phone: (+33) 01 40 85 30 40
 service.consommateurs@gardena.fr

Great Britain
 Husqvarna UK Ltd
 Preston Road
 Aycliffe Industrial Park
 Newton Aycliffe
 Co Durham
 DL5 6UP
 info.gardena@husqvarna.co.uk

Greece
 HUSQVARNA ΕΛΛΑΣ Α.Ε.Β.Ε.
 Υπ/μα Ηραίου 33Α
 Βλ. Πλ. Κορωπίου
 19 400 Κορωπί Αττικής
 Phone: (+30) 210 6620225 – 6
 service@agropkip.gr

Hungary
 Husqvarna
 Magyarországi Kft.
 Ezred u. 1 – 3
 1044 Budapest
 Phone: (+ 36) 80 20 40 33
 gardena.gardena.hu

Iceland
 Ó. Johnson & Kaaber
 Tunguhalsi 1
 110 Reykjavik
 ooj@ojk.is

Ireland
 McLoughlins RS
 Unit 5
 Norther Cross Business Park
 North Road, Finglas
 Dublin 11

Italy
 GARDENA Italia S.p.A.
 Via Donizetti 22
 20020 Lainate (Mi)
 Phone: (+39) 02.93.94.79.1
 info@gardenaitalia.it

Japan
 KAKUICHI co., Ltd.
 Sumitomo Realty & Development
 Kojimachi
 BLDG., 8F
 5 – 1 Nibanmcyo, chiyoda-ku,
 Tokyo 102-0084
 Phone: (+81)-(0)3-3264-4721
 m_ishihara@kaku-ichi.co.jp

Latvia
 SIA „Husqvarna Latvija“
 Consumer Outdoor Products
 Bākužu iela 6, Rīga, LV-1024
 info@husqvarna.lv

Lithuania
 UAB Husqvarna Lietuva
 Consumer Outdoor Products
 Ateities pl. 77C
 LT-52104 Kaunas
 centras@husqvarna.lt

Luxembourg
 Magasins Jules Neuberg
 39, rue Jacques Stas
 Luxembourg-Gasperich 2549
 Case Postale No. 12
 Luxembourg 2010
 Phone: (+352) - 40 14 01
 api@neuberg.lu

Netherlands
 GARDENA Nederland B.V.
 Postbus 50176
 1305 AD ALMERE
 Phone: (+31) 36 521 00 00
 info@gardena.nl

Ajuste do comprimento das traves Fig. H:

Pega telescópica de 3 estágios [Ⓛ], [Ⓜ] e [Ⓝ].
→ Enroscar a barra na posição desejada.

Utilização correcta:

O carro semeador serve para a dispersão dos seguintes produtos: fertilizantes, sementes, cal, areia, brita, sal, produtos dispersão de Inverno.

Manutenção / armazenamento:

Depois de utilizar, retire a cobertura do rolo [Ⓒ], esvazie o carro semeador e lave com água. Eliminar os restos dos produtos de dispersão, segundo as leis locais correspondentes.

Nota:

As recomendações da tabela de dispersão são somente valores de referência, devido aos diferentes tamanhos dos grãos dos fertilizantes e das sementes.

Acessório disponível para o carro semeador Comfort 500 (Art. 433):

Conjunto completo para a marcação da trajectória de dispersão GARDENA Art. 439.

Garantia:

GARDENA oferece uma garantia de dois (02) anos para este produto (contada a partir da data da compra). As peças de desgaste (p. ex. adubo) estão excluídas da garantia.

Neth. Antilles
 Jonka Tuincentrum
 Sta. Rosa Weg 196
 P.O. Box 8200
 Curaçao
 Phone: (+599) 9 767 66 55
 pgm@jonka.com

New Zealand
 Husqvarna New Zealand Ltd.
 PO Box 76437
 Manukau City 2241
 Phone: 0064 9 9202410
 sales.nz@husqvarna.co.nz

Norway
 GARDENA
 Husqvarna Consumer Outdoor Products
 Salgskontor Norge
 Klieverveien 6
 1540 Vestby
 info@gardena.no

Poland
 HUSQVARNA Poland Spółka z o.o.
 ul. Wysockiego 15 b
 03-371 Warszawa
 Oddział w Szymanowie
 Szymanów 9 d
 05-532 Baniocha

Portugal
 Husqvarna Portugal SA
 Sintra Business Park
 Edifício 1 · Fracção 0 G
 Abrunheira
 2710-089 Sintra
 info@gardena.pt

Romania
 MADEX INTERNATIONAL SRL
 Șoseaua Odăii 117 – 123
 Sector 1, București,
 RO 013603
 Phone: (+40) 21 352-7603 / 4 / 5 / 6
 madex@gardena.ro

Russia / Россия
 000 «Husqvarna»
 Leningradskaya street, vladenie 39
 Khimki Business Park
 Building 2, 4th floor
 141400 Moscow Region, Khimki
 Phone: +7 (495) 797 26 70

Singapore
 HY-RAY PRIVATE LIMITED
 40 Jalan Pemimpin
 #02-08 Tat Ann Building
 Singapore 577185
 Phone: (+65) 6253 2277
 shiying@hyray.com.sg

Serbia
 DOMEŁ d.o.o.
 Savski Nasip 7
 11070 Novi Beograd
 Serbia
 Phone: (+381) 11 2772 204
 miroslav.jejina@domel.co.yu

Slovenia
 GARDENA d.o.o.
 Brodišče 15
 1236 Trzin
 Phone: (+386) 1 580 93 32
 servis@gardena.si

South Africa
 GARDENA
 South Africa (Pty.) Ltd.
 P.O. Box 11534
 Vorna Valley 1686
 Phone: (+27) 11 315 02 23
 sales@gardena.co.za

Spain
 Husqvarna Espana S.A.
 C/Basauri, nº 6
 La Florida
 28023 Madrid
 Phone: (+34) 91 708 05 00
 (4 líneas)
 atencioncliente@gardena.es

Sweden
 GARDENA
 Husqvarna Consumer Outdoor Products
 Försäljningskontor Sverige
 Box 9003
 20039 Malmö
 info@gardena.se

Switzerland / Schweiz
 Husqvarna Schweiz AG
 Consumer Products
 Industriestrasse 10
 5506 Mägenwil
 Phone: +41 (0) 62 887 37 00
 info@gardena.ch

Turkey
 GARDENA Dost Diş Ticaret
 Müessesilik A.Ş.
 Sanayi Cad. Adil Sok. No. 1
 34873 Kartal – Istanbul
 Phone: (+90) 216 38 93 939
 info@gardena-dost.com.tr

Ukraine / Україна
 ТОВ «Хускварна Україна»
 Васильківська, 34, 204-Г
 03022, Київ
 Тел.: (+38 044) 498 39 02
 info@gardena.ua

USA
 GARDENA Canada Ltd.
 100 Summerlea Road
 Brampton, Ontario L6T 4X3
 Phone: (+1) 905 792 93 30
 info@gardenacanada.com

433-20.961.04/1009
 © GARDENA Manufacturing GmbH
 D-89070 Ulm
 http://www.gardena.com