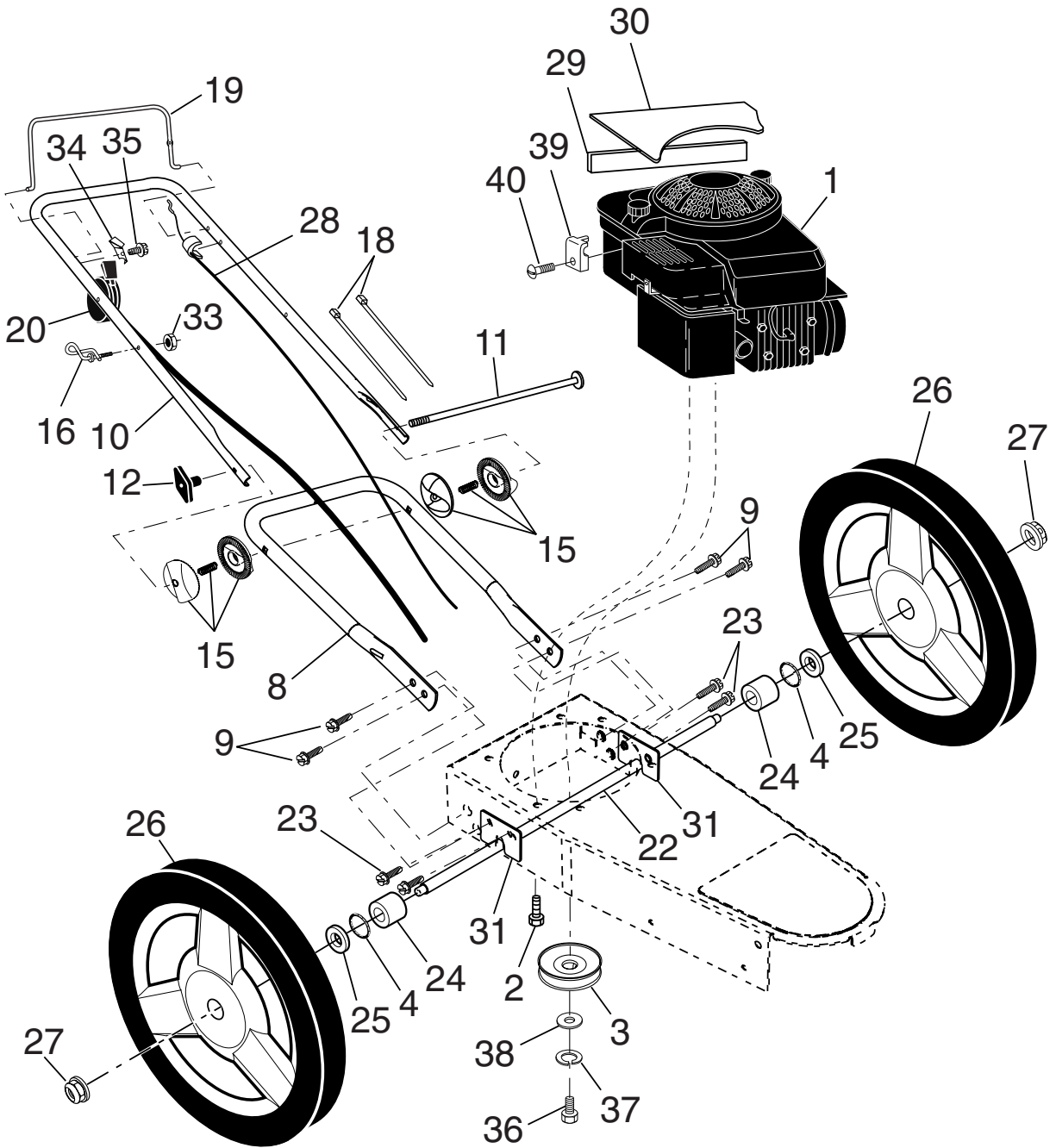


ILLUSTRATED PARTS LIST

**WHEELED WEED TRIMMER
MODEL NUMBER HUS625HWT
MFG. ID. NUMBER 96173000100**

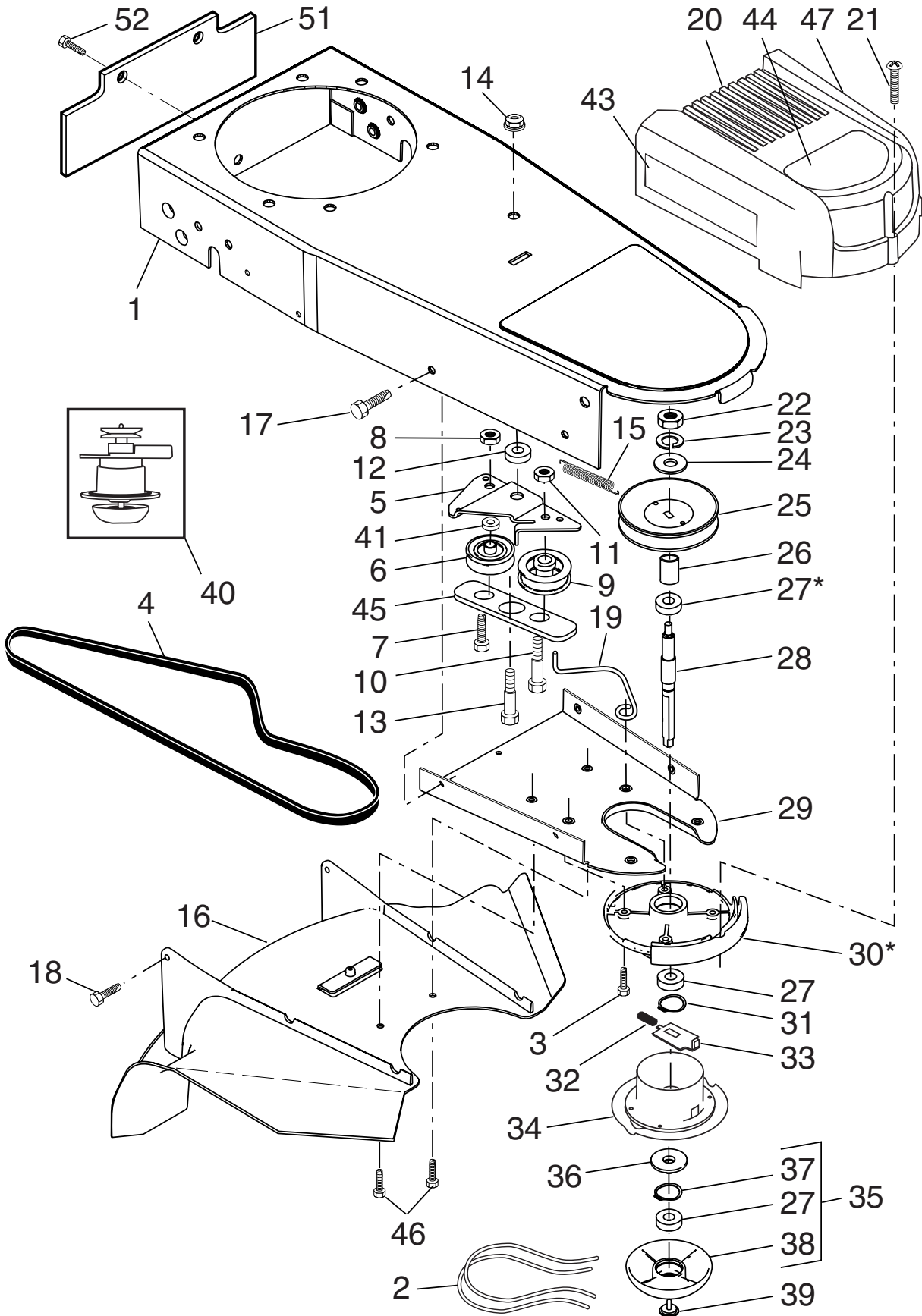
WHEELED WEEDTRIMMER - - MODEL NO. HU625WT
(MFG. ID. NO. 96173000100)



WHEELED WEEDTRIMMER - - MODEL NO. **HU625WT** (MFG. ID. NO. 96173000100)

KEY NO.	PART NO.	DESCRIPTION
1	- - -	Engine, Briggs & Stratton, Model Number 122T02-1382-B1 (For engine service and replacement parts, call Briggs & Stratton at 1-800-233-3723)
2	532 15 04-06	Bolt, Engine Mounting 3/8-16
3	532 17 94-66	Pulley, Engine
4	532 19 74-80	O-Ring
8	532 18 67-54	Handle, Lower
9	532 42 88-67	Screw, Hex Washer Head 5/16-18 x 3/4
10	532 18 67-55	Handle, Upper
11	532 17 09-80	Bolt, Handle
12	532 19 19-38	Knob, Handle
15	532 17 97-51	Handle Adjuster Assembly
16	532 19 47-88	Guide, Rope
18	532 06 64-26	Wire Tire
19	532 17 69-83	Control Bar
20	532 41 72-38	Throttle Control
22	532 16 97-87	Axle Shaft Assembly
23	532 42 88-67	Screw, Hex Washer Head 5/16-18 x 3/4
24	532 16 98-23	Washer, Axle
25	532 08 83-48	Washer, Flat 1/2
26	532 41 08-15	Wheel & Tire Assembly 12 x 1-3/4
27	532 40 91-49	Locknut, Hex 3/8-16
28	532 18 16-99	Drive Control Cable
29	532 40 66-78	Decal, Warning
30	532 17 83-65	Decal, Warning
31	532 42 62-97	Bracket, Axle
33	532 13 20-04	Nut, Hex
34	532 43 00-34	Bracket, Upstop
35	532 75 06-34	Screw #10-24 x 5/8
36	532 85 10-84	Bolt, Hex Head
37	532 85 02-63	Washer, Lock
38	532 85 10-74	Washer, Flat, Hardened
39	532 01 11-90	Clamp, Cable
40	532 08 38-16	Screw

WHEELED WEEDTRIMMER - - MODEL NO. **HU625WT** (MFG. ID. NO. 96173000100)



WHEELED WEEDTRIMMER - - MODEL NO. HU625WT (MFG. ID. NO. 96173000100)

KEY NO.	PART NO.	DESCRIPTION
1	532 42 89-13	Chassis Assembly
2	532 18 22-19	Line, Trimmer .155 diameter x 18.75 long
3	532 17 37-15	Screw, Self-Tapping 5/16-18 x 1
4	532 18 54-76	V-Belt
5	532 18 67-51	Bracket, Idler
6	532 16 60-42	Pulley, Idler, V-Groove
7	532 17 37-16	Bolt, Hex Head 3/8-16 x 1.25
8	873 93 06-00	Locknut, Hex 3/8-16
9	532 16 60-43	Pulley, Idler, Flat
10	532 16 08-29	Bolt, Shoulder
11	873 93 05-00	Locknut, Hex 5/16-18
12	532 17 37-17	Spacer
13	532 17 47-19	Bolt, Shoulder
14	532 40 91-49	Locknut, Flange
15	532 17 38-11	Spring, Return
16	532 18 02-68	Deflector, Bottom
17	817 06 04-10	Screw 1/4-20 x 1/2
18	532 17 88-48	Screw #10-24 x 3/4
19	532 19 95-74	Belt Keeper
20	532 17 83-90	Cover, Chassis, Top
21	532 14 97-46	Screw #10-24 x 1-3/4
22	873 61 06-00	Nut, Hex 3/8-24 UNF
23	532 85 02-63	Washer, Lock 3/8
24	819 12 12-14	Washer, Flat 3/8
25	532 18 03-40	Pulley, Driven
26	532 17 25-51	Spacer, Pulley
27	532 17 45-49	Bearing
28	532 17 25-20	Jackshaft
29	532 18 67-52	Cover, Chassis, Bottom
30	532 17 45-43	Spindle Housing Assembly (* Includes Upper Bearing, Key No. 27)
31	532 17 45-81	Ring, Retaining, External, 17mm
32	532 17 39-73	Spring, Locking Plate
33	532 17 25-19	Locking Plate
34	532 18 03-38	Carrier Plate Assembly
35	532 18 22-17	Mow Ball Assembly (Includes Key Numbers 27, 37 and 38)
36	532 17 25-16	Cover, Bearing
37	532 17 45-80	Ring, Retaining, Internal, 40mm
38	532 17 25-23	Mow Ball
39	532 18 03-34	Bolt, Mow Ball
40	532 18 03-33	Spindle Assembly, Complete (Includes Key No. 22-28 and 30-39)
41	532 17 40-29	Spacer
43	532 17 40-42	Decal, Instruction
44	532 42 82-57	Decal, Chassis Cover
45	532 18 67-53	Belt Keeper, Bottom
46	817 06 04-08	Screw, Self-Tapping
47	532 17 40-36	Decal, Instruction
51	532 18 90-06	Deflector, Rear
52	532 17 88-48	Screw