

GB

INSTRUCTION MANUAL

IMPORTANT INFORMATION: Please read these instructions carefully and make sure you understand them before using this unit. Retain these instructions for future reference.

DE

BETRIEBSANWEISUNG

WICHTIGE INFORMATION: Lesen Sie diese Hinweise zur Handhabung des Geräts aufmerksam durch. Verwenden Sie es erst, wenn Sie sicher sind, daß Sie alle Anweisungen verstanden haben und gut aufbewahren.

FR

MANUEL D'INSTRUCTIONS

RENSEIGNEMENTS IMPORTANTS: Avant d'utiliser cet appareil, veuillez lire attentivement les instructions et assurez-vous de les avoir comprises. Conservez les instructions pour référence ultérieure.

NL

HANDLEIDING

BELANGRIJKE IMPORTANTS: Lees deze handleiding aandachtig en zorg dat u alles begrijpt alvorens de kettingzaag te gebruiken en be-waar ze voor toekomstige raadpleging.

NO

BRUKERHÅNDBOK

VIKTIG INFORMASJON: Les disse anvisningene nøye og forsikre deg om at du forstår dem før du bruker enheten og oppbevar dem for sen-ere bruk.

FI

OHJEKIRJA

TÄRKEÄÄ TIETOA: Lue nämä ohjeet huolellisesti ja varmista, että olet ymmärtänyt ne, ennen kuin alat käyttää tätä laitetta ja säilytä myöhempää tarvetta varten.

SE

BRUKSANVISNING

VIKTIG INFORMATION: Läs instruktionerna noggrant och försäkra dig om att du förstår dem innan du använder utrustningen och spara dem för framtida behov.

DK

BRUGERHÅNDBOG

VIGTIGE OPLYSNINGER: Læs instruktionerne omhyggeligt, før du bruger enheden og gemme til senere henvisning.

ES

MANUAL DE INSTRUCCIONES

INFORMACIÓN IMPORTANTE: Lea atentamente las instrucciones y asegúrese de entenderlas antes de utilizar esta aparato. Conserve las instrucciones para la referencia en el futuro.

PT

MANUAL DO OPERADOR

INFORMAÇÕES IMPORTANTES: Queira ler cuidadosamente estas instruções e tenha certeza de entendê-las antes de usar a serra e guarde para consulta futura.

IT

LIBRETTO D'ISTRUZIONI

INFORMAZIONI IMPORTANTI: Leggere le istruzioni attentamente e capirle bene prima di usare l'utensile. Conservare per ulteriores consultazione.

HU

HASZNÁLATI ÚTMUTATÓ

Jótállást vállalni csak rendeltetésszerűen használatba vett gépekre tudunk. Kérj ü hogy a gép használatba vétele előtt gondosan olvassa el a kezelési utasításokat.

GR

ΕΓΧΕΙΡΙΔΙΟ ΧΕΙΡΙΣΜΟΣ

ΣΗΜΑΝΤΙΚΕΣ ΠΛΗΡΟΦΟΡΙΕΣ: Διαβάστε προσεκτικά αυτές τις οδηγίες και φροντίστε να τις κατανοήσετε από το μηχανήμα και Φυλάξτε το για να το συμβουλευέστε στ έλλον.

CZ

NÁVOD K POUŽÍVÁNÍ

DŮLEŽITÁ INFORMACE! Než začnete stroj používat přečtěte si prosím velmi pozorně tyto instrukce a ujistěte se, že jste jim porozuměli. Uchovejte si tento návod pro použití i v budoucnu.

SK

PRÍRUČKA

IMPORTANT INFORMATION: Please read these instructions carefully and make sure you understand them before using this unit. Retain these instructions for future reference.

PL

INSTRUKCJA OBSŁUGI

Gwarancja traci ważność w przypadku używania urządzenia do celów innych niż wymienione w instrukcji obsługi. Prosimy o uważne przeczytanie instrukcji oraz o stoowanie się do zaleceń i wskazówek w niej zawartych.

RU

ИНСТРУКЦИИ

ВАЖНЫЕ СВЕДЕНИЯ: Внимательно прочитать инструкции и хорошо их понять, перед тем как пользоваться блоком. Хранить инструкции для дальнейших консультаций.

EE

KASUTUSJUHEND

TÄHTIS INFORMATSIOON: Lugege kasutusjuhend enne seadme kasutamist kindlasti põhjalikult läbi ning veenduge, et olete kõigest täpselt aru saanud.

LT

NAUDOJIMOSI INSTRUKCIJA

SVARBI INFORMACIJA: prieš pradedant dirbti įrenginiu, prašome atidžiai perskaityti šią instrukciją ir įsitikinti, kad viską supratote. Išsaugokite ją tolimesniam naudojimui.

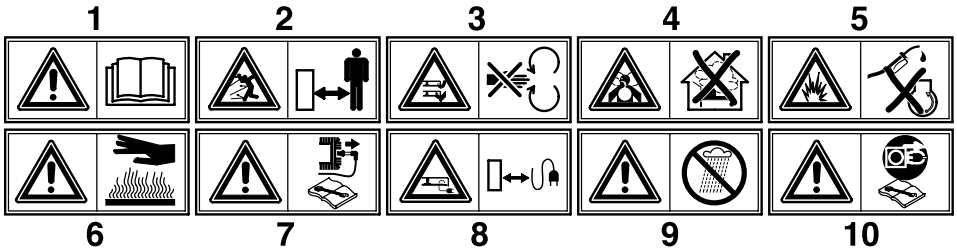
SL

KNJIŽICA Z NAVODILI

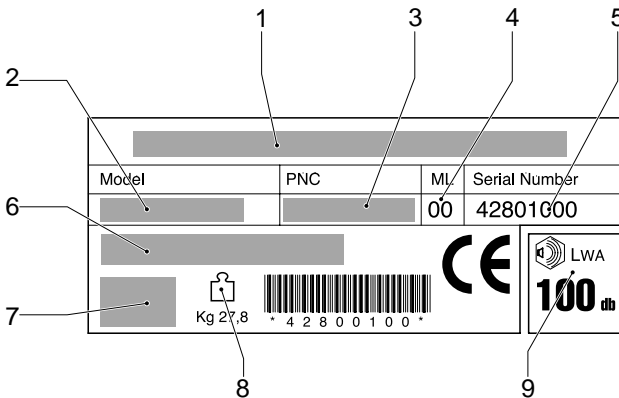
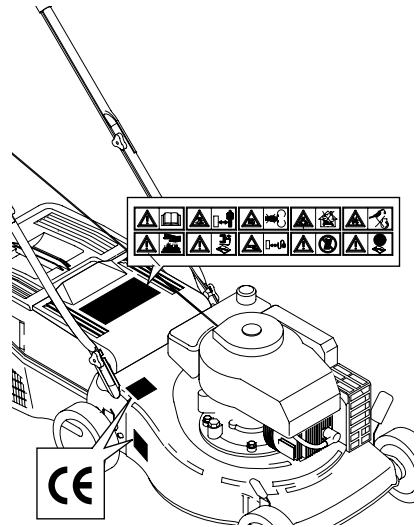
POMEMBNA NAVODILA: Pozorno preberite navodila. Dobro jih morate razumeti, preden začnete uporabljati to orodje.

- GB** Due to a constant product improvement programme, the factory reserves the right to modify technical details mentioned in this manual without prior notice.
- This manual has been prepared for use with different models of lawn mowers having different shapes and equipment.
- DE** Im Sinne des Fortschritts behält sich der Hersteller das Recht vor, technische Änderungen ohne vorherigen Hinweis durchzuführen.
- Diese Bedienungsanleitung wurde für verschiedene Rasenmäher geschrieben.
- FR** La Maison se réserve la possibilité de changer des caractéristiques et des données de ce manuel à n'importe quel moment et sans préavis.
- Ce manuel a été préparé pour usage avec modèle différent de formes de la tondeuse et matériel.
- NL** Door konstante produkt ontwikkeling behoud de fabrikant zich het recht voor om technische specificaties zoals vermeld in deze handleiding te veranderen zonder hiervan vooraf bericht te geven.
- Deze handleiding is samengesteld voor het gebruik van verschillende modellen grasmaaimachines van verschillende afmetingen en met verschillende accessoires.
- NO** Produsenten forbeholder seg all rett og mulighet til å forandre tekniske detaljer i denne manualen uten forhåndsvarsel.
- Denne instruksjonsboken er utformet for å dekke flere gressklippere med forskjellig utseende og utstyr.
- FI** Jatkuvan tuotteen parannusohjelman tähden valmistaja pidättää oikeuden vaihtaa ilman ennakkovaroitusta tässä ohjekirjasessa mainittuja teknisiä yksityiskohtia.
- Ta priročnik je namenjen za uporabo različnih modelov motorne kosilnice različnih oblik in opreme.
- SE** Tilverkaren reserverar sig rätten att ändra fakta och uppgifter ur handboken utan förvarning.
- Denna bruksanvisning är skriven för olika modeller av elektriska gräsklippare med olika utseende och utrustning.
- DK** Producenten forbeholder sig ret til ændringer, hvad angår karakteristika og data i nærværende instruktion, når som helst og uden varsel.
- Denne Brugsanvisning omhandler flere forskellige modeller af plæneklippere, med forskellige former og udstyr.
- ES** La firma productora se reserva la posibilidad de cambiar las características y datos del presente manual en cualquier momento y sin previo aviso.
- Este manual ha sido hecho para el utilizo de todas las tipologías de cortadora de hierba con características distintas.
- PT** A casa productora se reserva a possibilidade de variar características e dados do presente manual em qualquer momento e sen aviso prévio.
- Este manual foi redigido para ser utilizado em diversos modelos de corta relvas com forma e equipamento diferentes.
- IT** La casa produttrice si riserva la possibilità di variare caratteristiche e dati del presente manuale in qualunque momento e senza preavviso.
- Questo manuale è stato redatto per essere utilizzato con diversi modelli di rasaerba con forme ed equipaggiamenti differenti.
- HU** A gyártó cég fenntartja a jogot arra, hogy a használati utalajdonságokon bármikor és előzetes bejelentés nélkül változtasson.
- Ez a kézikönyv, azért lett létrehozva, hogy segítségre legyen a különböző formájú és felszerelésű elektromos fűnyíró gépeknél.
- GR** Λόγω προγράμματος συνεχούς βελτίωσης προϊόντων, το εργοστάσιο επιφυλάσσεται του δικαιώματος να τροποποιεί τις τεχνικές λεπτομέρειες που αναφέρονται στο εγχειρίδιο αυτό χωρίς προηγούμενη ειδοποίηση.
- Το εγχειρίδιο αυτό έχει ετοιμαστεί για μία χρήση σε διαφορετικά μοντέλα μηχανής κοπής του γρασιδιού, οι οποίες διαθέτουν διαφορετικό σχήμα και στοιχεία.
- CZ** Vzhledem k pokračujícím inovacím nositely výrobce vyhrazuje právo mĕnit technické hodnoty uvedené v této příručce bez předchozího upozornĕní.
- Obsah této příručky lze použít pro různé typy sekaček na trávu, lišících se tvarem i vybavením.
- SK** Na základe programu neustáleho zlepšovania produktov si výrobný závod vyhradzuje bez predchádzajúceho upozornenia právo na zmenu technických parametrov uvedených v tejto príručke.
- Táto príručka slúži pre rôzne modely kosačiek na trávu rozličných tvarov a s rôznym príslušenstvom..
- PL** W związku z programem ciągłego ulepszenia swoich wyrobów producent zastrzega sobie prawo do wprowadzania zmian w szczegółach technicznych wymienionych w tej instrukcji bez uprzedniego zawiadomienia. Instrukcja jest częścią wyposaża.
- Książeczka ta została opracowana do wykorzystania dla różnych modeli kosiarek do trawy o różnych formach i wyposażeniu.
- RU** Компания производитель сохраняет за собой право изменять характеристики и данные в настоящем руководстве, в любой момент и без предварительного извещения.
- Данное руководство было подготовлено для использования с различными моделями газонокосилок, имеющими разные формы и оборудование.
- EE** Tootja jätab endale õiguse muuta käesolevas kasutusjuhendis kirjeldatud omadusi ja andmeid suvalisel hetkel ja sellest eelnevalt ette teatamata.
- See kasutusjuhend on koostatud kasutamiseks muruniidukite eri mudelitega, millel võib olla erinev kuju ja varustus.
- LT** Kadangi gaminis nuolat derinamas, įmonė palieka sau teise keisti techninius duomenys, apie kuriuos yra nurodyta šioje instrukcijoje, be išankstinio pranešimo.
- Instrukcija buvo parašyta įvairių vejamųjų modelių vartojimui, kurios turi įvairias forma ir įrengimus.
- SL** Proizvajalec si pridružuje pravico do spremembe karakteristik in podatkov v tem priročniku v katerem koli trenutku brez predhodnega obvestila.
- Ta priročnik je namenjen za uporabo različnih modelov motorne kosilnice različnih oblik in opreme.

We wish to thank you for choosing our lawn mower. We are confident that the high quality of our machine will meet with your satisfaction and appreciation and that your lawn mower will give you long-lasting service. Before starting to use your machine, make sure to read with care this manual, which has been purposely drawn up to provide you with all the necessary information for proper use, in compliance with basic safety requirements.



- 1 **Caution!** Read the instruction manual before use.
- 2 **Keep other people well away from the danger area!**
- 3 **Warning:** Risk of hand and feet injury.
- 4 **Risk of breathing in toxic gases!** Do not use the appliance in closed or poorly ventilated environments.
- 5 **Risk of explosion!** Do not top up with fuel with engine running.
- 6 **Caution!** Hot surface
- 7 **Caution!** Switch off the engine and disconnect the spark plug before undertaking any maintenance work.
- 8 **Keep the power supply cable well away from the cutting tool.**
- 9 **Caution!** Shelter from rain and humidity.
- 10 **Before carrying out any operations on the cutting tool, disconnect the plug**



- 1 Manufacturer
- 2 Model
- 3 Product number
- 4 Maintenance lever
- 5 Serial number
- 6 Type
- 7 Engine info
- 8 Weight
- 9 Sound power level

SAFETY RULES

Safe Operation Practices for Pedestrian-Controlled Rotary Lawnmowers

IMPORTANT: *This cutting machine is capable of amputating hands and feet and throwing objects. Failure to observe the following safety instructions could result in serious injury or death.*

I. Training

- Read the instructions carefully. Be familiar with the controls and the proper use of the equipment.
- Never allow children or people unfamiliar with the instructions to use the lawnmower. Local regulations may restrict the age of the operator.
- Never mow while people, especially children, or pets are nearby.
- Keep in mind that the operator or user is responsible for accidents or hazards occurring to other people or their property.

II. Preparation

- While mowing, always wear substantial footwear and long trousers. Do not operate the equipment when barefoot or wearing open sandals.
- Thoroughly inspect the area where the equipment is to be used and remove all objects which may be thrown by the machine.
- **WARNING - Petrol is highly flammable.**
 - Store fuel in containers specifically designed for this purpose.
 - Refuel outdoors only and do not smoke while refueling.
 - Add fuel before starting the engine. Never remove the cap of the fuel tank or add petrol while the engine is running or when the engine is hot.
 - If petrol is spilled, do not attempt to start the engine but move the machine away from the area of spillage and avoid creating any source of ignition until petrol vapors have dissipated.
 - Replace all fuel tanks and container caps securely.
- Replace faulty silencers.
- Before using, always visually inspect to see that the blades, blade bolts and cutter assembly are not worn or damaged. Replace worn or damaged blades and bolts in sets to preserve balance.
- On multibladed machines, take care as rotating one blade can cause other blades to rotate.

III. Operation

- Do not operate the engine in a confined space where dangerous carbon monoxide fumes can collect.
- Mow only in daylight or in good artificial light.
- Avoid operating the equipment in wet grass, where feasible.
- Always be sure of your footing on slopes.
- Walk, never run.
- For wheeled rotary machines, mow across the face of slopes, never up and down.
- Exercise extreme caution when changing direction on slopes.
- Do not mow excessively steep slopes.
- Use extreme caution when reversing or pulling the lawnmower towards you.

- Stop the blade if the lawnmower has to be tilted for transportation when crossing surfaces other than grass, and when transporting the lawnmower to and from the area to be mowed.
 - Never operate the lawnmower with defective guards, or without safety devices, for example deflectors and/or grass catchers, in place.
 - Do not change the engine governor settings or overspeed the engine. Operating the engine at excessive speed may increase the hazard of personal injury.
 - Disengage all blade and drive clutches before starting the engine.
 - Start the engine or switch on the motor carefully according to instructions and with feet well away from the blade.
 - Do not tilt the lawnmower when starting the engine or switching on the motor, except if the lawnmower has to be tilted for starting. In this case, do not tilt more than absolutely necessary and lift only the part which is away from the operator.
 - Do not start the engine when standing in front of the discharge chute.
 - Do not put hands or feet near or under rotating parts. Keep clear of the discharge opening at all times.
 - Never pick up or carry lawnmower while the engine is running.
 - Stop the engine and disconnect the spark plug wire:
 - before cleaning blockages or unclogging chute;
 - before checking, cleaning or working on the lawnmower;
 - after striking a foreign object. Inspect the lawnmower for damage and make repairs before restarting and operating the lawnmower;
 - if the lawnmower starts to vibrate abnormally (check immediately).
 - Stop the engine:
 - whenever you leave the lawnmower;
 - before refuelling.
 - Reduce the throttle setting during engine shut down and, if the engine is provided with a shut-off valve, turn the fuel off at the conclusion of mowing.
 - Go slow when using a trailing seat.
- #### IV. Maintenance and Storage
- Keep all nuts, bolts and screws tight to be sure the equipment is in safe working condition.
 - Never store the equipment with petrol in the tank inside a building where fumes may reach an open flame or spark.
 - Allow the engine to cool before storing in any enclosure.
 - To reduce the fire hazard, keep the engine, silencer, battery compartment and petrol storage area free of grass, leaves, or excessive grease.
 - Check the grass catcher frequently for wear or deterioration.
 - Replace worn or damaged parts for safety.
 - If the fuel tank has to be drained, this should be done outdoors.

A**DESCRIPTION**

1	Upper handles	12	Rear deflector
2	Lower handles	13	Throttle lever
3	Fastening knobs for upper handles	14	Engine stop lever
4	Grass catcher	15	Reduction gear
5	Oil filler cap	16	Console
6	Oil drain plug	17	Ignition key
7	Deck	18	Clutch lever
8	Adjusting levers for cutting height	19	Blade engagement lever
9	Spark plug	20	Handle advance speed
10	Fuel cap	21	Fuel-enrichment pump
11	Engine start-grip		

B**ASSEMBLY OF GRASS CATCHER****C****ASSEMBLY DEFLECTOR** *(if not already assembly)***D****ASSEMBLY LOWER HANDLES****E****ASSEMBLY UPPER HANDLES****F****ASSEMBLY WHEEL** *(if not already assembly)***G****ADJUSTMENT OF HANDLES** *(for the models where it is included only)***H****MULCHING CAP INSERTION** *(for the models where it is included only)*

To cut the grass with the mulching system (no grass collection), lift the rear deflector panel and insert the cap by fixing it with the spring as shown in the figure.

I**ADJUSTMENT OF CUTTING HEIGHT****J****SAFETY PRECAUTIONS**

- Always operate with the deflector or grasscatcher in the correct position.
- Always stop the engine before removing the grasscatcher or adjusting the height of cut.
- Never place your hands or feet underneath the deck or into the grass discharge chute while the engine is running.

Before mowing, remove all foreign objects from the lawn which may be thrown by the machine. While mowing, stay alert for any foreign objects which may have been missed.

Never lift the rear of the mower while starting the engine or during normal operation.

Never place your hands or feet underneath the deck or into the rear discharge chute while the engine is running.

K OPERATION

ENGINE ADJUSTMENTS (Fig.Ki)

Refer to the engine manufacturer's maintenance manual.



CAUTION:- 0.6l Oil must be added to the engine before use

STARTING THE ENGINE (Fig.KIi)

Once the machine has been set up properly, start the engine as follows:

- Engines with choke system:
when the engine is cold, position the accelerator lever (Fig.KIiii - pos.13) on START
- Operate the engine stop lever (14) to prepare the engine for start, keep lever pressed against handle while starting and using the machine (it operates the engine brake).
- Engines with primer system:
Press the fuel-enrichment pump (21) located on the carburettor 3 or 4 times position the accelerator lever (13) on MAX.

For further information and explanations, read carefully the user instruction manual of the engine.

d) Start engine.

MANUAL STARTING: (While holding the engine stop lever (14)).

- Hold the engine start-grip (11) and pull the starter rope gently until you feel the resistance caused by compression. Return the starter rope slowly then pull the handle firmly towards you to its full extent.

ELECTRICAL STARTING: (While holding the engine stop lever (14)).

- Insert the plug (G) in the socket (H) on the engine. Turn the ignition key (17).

L ADJUSTMENT OF CLUTCH CABLE (for self-propelled versions only)

Important: If, when you press the clutch lever, the automatic advance gear does not engage, the clutch cable should be adjusted by inserting the spring (P) in one of the subsequent holes in the plate (R) or in the hole "S".

M MAINTENANCE



Caution! Switch off the motor and disconnect the spark plug before undertaking any maintenance work.

- For a four stroke engine, check the oil level and change the oil when dirty. For further explanation, see ENGINE INSTRUCTION BOOK.
- Frequently check the mower and ensure that all grass deposits are removed from beneath the deck.
- Never clean the mower by pouring water over it: this may seriously damage the electric start system.
- Take care, the exhaust muffler may be very hot.
- Frequently check the blade for damage.
- The lawn mower must be checked by a SERVICE DEALER.
- Cleaning under the bodywork
With machine at a standstill and off.
 - Attach fitting (22) on the deck to the water supply tap. Turn on the tap.
 - start up the motor (blade in rotation), allowing it to warm up for a few minutes.
 - at the end of cleaning switch off the motor, turn off the tap, detach the tube from the deck connection..



CAUTION: The blade starts turning as soon as the engine is started.

Keep the engine stop lever (14) depressed during machine operation.

MOWING (Fig.KIiii - KIv)

To cut the grass, push the lawn mower manually or insert the automatic advance gear.

How to insert automatic advance: Lift up the clutch handle (18) and keep it pressed in position.



CAUTION: Engage the gear only when the engine is running.

How to disengage advance: Release the clutch handle.

VERSION WITH BLADE BRAKE (Fig.KV)

With engine running, pull the handle (14) towards the bar and keep depressed. Push the blade engagement lever (19) forward to make the blade rotate.



WARNING! When the handle (14) is released the blade stops while the motor continues running.

MOWING

To cut the grass, push the lawn mower manually or insert the automatic advance gear.

How to insert automatic advance: Lift up the clutch handle (18) and keep it pressed in position.



CAUTION: Engage the gear only when the engine is running.

How to disengage advance: Release the clutch handle.

N BLADE

- To remove the blade (23) unscrew the screw (24).
- Check the conditions of the blade-support (25), the washer (26), the key (27) and the washer (28) and replace any parts which are damaged.
- When reassembling, make sure that the key (27) is correctly seated in the shaft and that the cutting edges face in the direction of the engine rotation. The blade screw (24) must be torqued to 5,34 Kgm (52,4 Nm)..

O KIT ELECTRIC STARTING

- Before starting the motor for the first time, you are advised to keep the battery on charge for 2 to 3 hours.
- If the battery proves to be low during starting, charge it for 24 hours.
- When starting, don't keep trying to start for more than 5 seconds.

BATTERY MAINTENANCE



IMPORTANT

For correct battery maintenance (31), especially in preparation for a long period of inactivity, and for recharging, it is not necessary to remove it from its casing, but to simply proceed as follows:

- 1) Remove contact (32).
- 2) Store the battery in a fresh and dry place.
- 3) Recharge the battery before use at room temperature for 24-36 hours.
- 4) Restore the contact (32) before use

GUARANTEE AND GUARANTEE POLICY

If any part is found to be defective due to faulty manufacture within the guarantee period, Husqvarna Outdoor Products, through its Authorised Service Repairers will effect the repair or replacement to the customer free of charge providing:

- a) The fault is reported directly to the Authorised Repairer.
- b) Proof of purchase is provided.
- c) The fault is not caused by misuse, neglect or faulty adjustment by the user.
- d) The failure has not occurred through fair wear and tear.
- e) The machine has not been serviced or repaired, taken apart or tampered with by any person not authorised by Husqvarna Outdoor Products.
- f) The machine has not been used for hire.
- g) The machine is owned by the original purchaser.
- h) The machine has not been used commercially.

● This guarantee is additional to, and in no way diminishes the customers statutory rights.

Failures due to the following are not covered, therefore it is important that you read the instructions contained in this Operator's Manual and understand how to operate and maintain your machine:

VERSION WITH BLADE BRAKE

- To remove the blade (29) unscrew the two screws (30).
- Check the condition of the blade and replace any parts that are damaged, re-assemble using two screws (30) which must be torqued to 5,34 Kgm (52,4Nm).

BATTERY DISPOSAL



Those batteries marked with a "crossed out waste disposal bin" and bearing the chemical symbol Pb (battery containing lead) are not to be disposed in domestic waste bins.



The user is legally obliged to take the used batteries to special collection points or to return them to the retailer.

Failures not covered by guarantee

- Replacing worn or damaged blades
- Failures as a result of not reporting an initial fault.
- Failures as a result of sudden impact.
- Failures as a result of not using the product in accordance with the instructions and recommendations contained in this Operator's Manual.
- Machines used for hire are not covered by this guarantee.
- The following items listed are considered as wearing parts and their life is dependent on regular maintenance and are, therefore not normally subject to a valid warranty claim: Blades, Electric Mains cable, Belt

● CAUTION!

Husqvarna Outdoor Products does not accept liability under the warranty for defects caused in whole or part, directly or indirectly by the fitting of replacement parts or additional parts that are not either manufactured or approved by Husqvarna Outdoor Products, or by the machine having been modified in any way.

EC DECLARATION OF CONFORMITY

I, the undersigned Bengt Ahlund, of Husqvarna Outdoor Products Italia Spa, Via Como 72, 23868 Valmadrera (LC).
Certify that the Lawnmower:-

Category.....Petrol Wheeled Rotary
Make.....Husqvarna Outdoor Products
Conforms to the specifications of Directive 2000/14/EEC

Type.....A
Version.....B
Width of cut.....C
Guaranteed sound power level.....D
Measured sound power level.....E
Sound pressure level at the ear.....F
Vibration of the handle.....G
(See the last page for references)

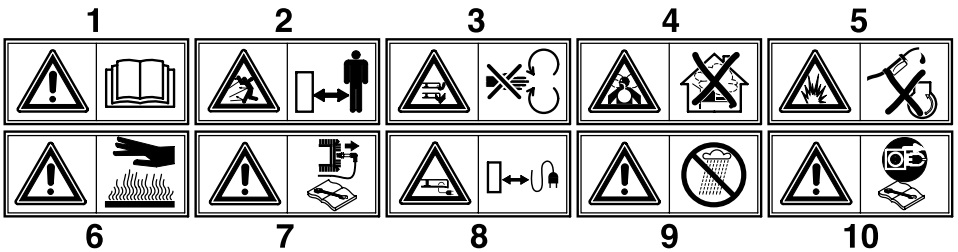
Type of Cutting DeviceRotary Blade
Identification of SeriesSee Product Rating Label
Conformity Assessment ProcedureANNEX VI
Notified Body:Nr. 0470 - NEMKO AS
Gautadalleen 30 - PO Box 73 Blindern
0314 OSLO - Norway
Other Directives98/37/EC, 93/68/EEC, 2002/88/EC, 2004/108/EC
& applicable standards normativeEN836,EN ISO14982,EN1033,EN ISO 3744,EN ISO11201



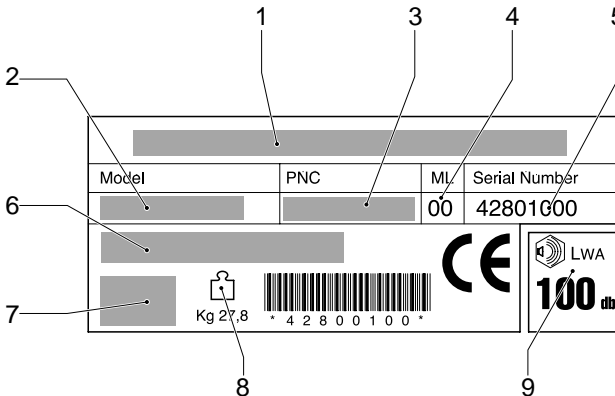
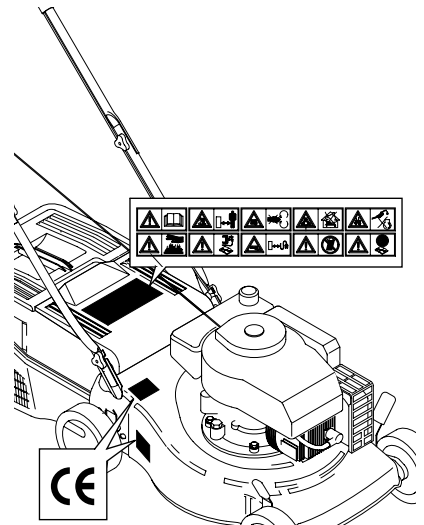
Bengt Ahlund
Technical Manager

Husqvarna Outdoor Product Italia S.p.A.
Via Como 72 - 23868 Valmadrera (LC)
3/08/2006

Wir danken Ihnen für Ihr Vertrauen, das Sie uns durch den Kauf unseres Rasenmäher entgegengebracht haben und sind sicher, daß Sie mit der Qualität unseres Produkte zufrieden sein werden. Wir bitten Sie, dieses Handbuch aufmerksam durchzulesen, das Sie über die richtige Verwendung in Übereinstimmung mit den Sicherheitsvorschriften informiert



- 1 **Achtung!** Vor der Verwendung ist die Bedienungsanleitung zu lesen.
- 2 Unbefugte dürfen nicht in den Gefahrenbereich gelangen!
- 3 **Achtung:** Hand- und Fussverletzung
- 4 Gefahr des Einatmens giftiger Gase ! Das Gerät darf nicht in geschlossenen oder schlecht belüfteten Räumen verwendet werden.
- 5 Explosionsgefahr ! Treibstoff darf nicht bei laufendem Motor nachgefüllt werden.
- 6 **Achtung!** Oberfläche ist heiß.
- 7 **Achtung!** Vor der Ausführung jeglicher Wartungsarbeiten ist der Motor abzuschalten und die Zündkerze abzuklemmen.
- 8 Das Speisekabel darf nicht in den Bereich des Schneidwerkzeuges gelangen.
- 9 **Achtung!** Vor Regen und Nässe schützen.
- 10 Vor jeglicher Arbeit am Schneidwerkzeug den Stecker abnehmen



- 1 Baufirma
- 2 Modell
- 3 Produkt Nummer
- 4 Wartung
- 5 Seriennummer
- 6 Typ
- 7 Motoren Info
- 8 Gewicht
- 9 Geräuschpegel

SICHERHEITSHINWEISE

Sicherheitsvorkehrungen für Handgeführte Rasenmäher mit Rotationsklinge.

WICHTIG: Diese Mähmaschine kann Hände und Füße abtrennen und Gegenstände mit hoher Geschwindigkeit schleudern. Nichtbeachtung der folgenden Sicherheitsvorschriften könnte schwere oder tödliche Verletzungen zur Folge haben.

I. Schulung

- Die Anleitungen sorgfältig durchlesen. Mit den Bedienungselementen und der vorschriftsmäßigen Bedienung der Maschine vertraut machen.
- Auf keinen Fall Kindern oder Erwachsenen, die mit der Bedienungsanleitung des Mähers nicht vertraut sind, den Betrieb der Maschine gestatten. Das Mindestalter von Fahrern ist womöglich gesetzlich geregelt.
- Auf keinen Fall mähen, solange sich andere, besonders Kinder oder Haustiere, im Arbeitsbereich befinden.
- Bitte denken Sie daran, daß der Fahrer oder Benutzer für jegliche Unfälle oder Gefahren, denen andere oder deren Eigentum ausgesetzt werden, verantwortlich ist.

II. Vorbereitung

- Während dem Mähen immer festes Schuhwerk und lange Hosen tragen. Die Maschine nicht barfuß oder mit offenen Sandalen in Betrieb nehmen.
- Das Arbeitsgelände sorgfältig untersuchen und alle Gegenstände, die von der Maschine aufgeschleudert werden könnten, entfernen
- **WARNUNG** - Benzin ist äußerst leicht entzündlich.
 - Kraftstoff in speziell dafür ausgelegten Behältern lagern.
 - Nur im Freien tanken und währenddessen nicht rauchen.
 - Kraftstoff nachfüllen, bevor der Motor angelassen wird. Auf keinen Fall den Tankdeckel entfernen oder Benzin nachfüllen, solange der Motor läuft oder heiß ist.
 - Falls Kraftstoff verschüttet wurde, nicht versuchen, den Motor anzulassen, sondern die Maschine vom verschütteten Benzin wegschieben und das Verursachen jeglicher Zündquellen vermeiden, bis die Benzindämpfe sich verflüchtigt haben.
 - Alle Deckel wieder fest auf Kraftstofftanks und Kraftstoffbehältern anbringen.
- Schadhafte Schalldämpfer ersetzen.
- Vor dem Gebrauch immer mit einer Sichtprüfung sicherstellen, daß Mähmesser, Messerschrauben und die Mähinheit nicht abgenutzt oder beschädigt sind. Abgenutzte oder beschädigte Messer und Schrauben ersetzen, um Auswuchtung zu gewährleisten.
- Bei Maschinen mit mehreren Mähmessern ist Vorsicht geboten, da beim Drehen eines Mähmessers die anderen Mähmesser sich womöglich mit drehen.

III. Betrieb

- Maschine nicht in einem geschlossenen Bereich betreiben, in dem die gefährlichen Kohlenoxydgase sich sammeln können.
- Nur bei Tageslicht oder guter künstlicher Beleuchtung mähen.
- Vermeiden Sie den Gebrauch des Geräts auf nassem Gras, soweit möglich.
- Achten Sie bei geneigten Böden stets auf Ihr Gleichgewicht.
- Gehen Sie (nicht rennen).
- Bewegen Sie sich mit fahrbaren Motor-Rasenmähern stets quer zur Neigung der Fläche, gehen Sie nie auf und ab.
- Gehen Sie beim Richtungswechsel auf geneigten Flächen besonders vorsichtig vor.
- Mähen Sie nicht auf besonders steilen Abhängen.
- Gehen Sie besonders vorsichtig vor, wenn Sie den Mäher ziehen oder zu sich hin drehen.

- Stoppen Sie die Klinge, wenn der Rasenmäher für den Transport über Flächen ohne Gras angekippt werden muss, bzw. auf dem Hin-/Rückweg zur/von der zu mähenden Fläche.
 - Benutzen Sie den Rasenmäher nie mit defekten Schutzabdeckungen, oder nicht in Position befindlichen Schutzvorrichtungen, wie beispielsweise Leitblechen und/oder Grasfänger.
 - Die Einstellung des Drehzahlreglers nicht ändern, und die Drehzahl des Motors nicht über die Werkspezifikationen heraufsetzen. Der Betrieb des Motors bei zu hohen Drehzahlen kann die Gefahr von Körperverletzungen vergrößern.
 - Vor dem Starten der Maschine alle Blockierungen der Klingen und des Antriebs lösen.
 - Beim Starten der Maschine und Einschalten des Motors vorsichtig vorgehen. Halten Sie sich an die Gebrauchsanleitung und achten Sie darauf, dass Ihre Füße weit genug von der Klinge entfernt sind.
 - Kippen Sie den Rasenmäher nicht während des Starts oder Einschaltens des Motors, es sei denn, dass dies für den Start erforderlich ist. Kippen Sie ihn in diesem Fall nicht mehr als unbedingt nötig und heben Sie nur den vom Bediener entfernteren Bereich an.
 - Starten Sie die Maschine nicht, wenn Sie nahe an der Entladevorrichtung stehen.
 - Bringen Sie Ihre Hände und Füße nicht in die Nähe der rotierenden Organe. Halten Sie die Entladeöffnung stets sauber.
 - Den Rasenmäher bei laufendem Motor nie anheben oder tragen.
 - Den Motor stoppen und das Kabel der Zündkerze trennen:
 - vor dem Entfernen von Verstopfungen aus dem Mähwerk oder dem Auswurf;
 - vor dem Prüfen, Reinigen oder Reparieren des Rasenmähers;
 - nachdem auf ein Fremdkörper gestoßen wurde. Den Rasenmäher auf Schäden untersuchen und die Reparaturen durchführen, bevor die Maschine wieder angelassen und in Betrieb genommen wird;
 - falls die Maschine anfangen sollte, ungewöhnlich zu vibrieren (sofort prüfen).
 - Den Motor stoppen:
 - immer wenn Sie den Mäher zurücklassen;
 - vor dem Auftanken.
 - Die Drosselklappe während des Auslaufens des Motors schließen und, falls der Motor mit einem Absperrventil ausgestattet ist, dieses bei Beendigung der Mäharbeiten schließen.
 - Fahren Sie langsam, wenn Sie einen Sitz benutzen.
- ### IV. Wartung und Lagerung
- Darauf achten, daß alle Muttern, Bolzen und Schrauben fest angezogen sind, um zu gewährleisten, daß die Maschine für den Betrieb sicher ist.
 - Die Maschine auf keinen Fall mit Benzin im Tank in einem Gebäude lagern, in dem die Benzindämpfe ein offenes Feuer oder einen Funken erreichen könnten.
 - Den Motor abkühlen lassen, bevor er in einem geschlossenen Raum gelagert wird.
 - Um die Feuergefahr herabzusetzen, den Motor, den Schalldämpfer, den Batteriekasten und das Kraftstofflager von Gras, Laub und übermäßigem Schmierfett freihalten.
 - Den Grasfänger häufig auf Abnutzung oder Verschleiß prüfen.
 - Abgenutzte oder beschädigte Teile zur Sicherheit immer sofort ersetzen.
 - Falls der Kraftstofftank entleert werden muß, sollte dies im Freien geschehen

A**BESCHRIJVING**

1	Oberer Holm	12	Prallschutz
2	Unterer Holm	13	Gashebel
3	Befestigungsknopf oberer Holm	14	Sicherheitshandgriff
4	Grasfangkorbes	15	Untersetzungsantrieb
5	Öleinfüllschraube	16	Verbindungsblech
6	Ölablaßstutzen	17	Zündschlüssel
7	Mähgehäuse	18	Kupplungshebe
8	Einstellhebel für Schnitthöhe	19	Einschalthebel
9	Zündkerze	20	Hebel
10	Tankdeckel	21	Anreicherungspumpe
11	Startergriff		

B**AUFBAU DES GRASFANGKORBES****C****AUFBAU DEFLEKTOR** *(Wenn nicht bereits vormontiert)***D****AUFBAU UNTERER GRIFF****E****AUFBAU OBERER GRIFF****F****MONTAGE DER RÄDER** *(Wenn nicht bereits vormontiert)***G****EINSTELLEN DES GRIFFES** *(wenn vorhanden)***H****MULCHING VERSCHLUSS EINSETZEN** *(wenn vorhanden)*

Wenn man beim Mähen das Mulching System verwenden möchte (ohne Grasaufnehmen), muss man die Schütze aufheben, den Verschluss einsetzen und - wie in der Abbildung angegeben - fixieren

I**EINSTELLEN DER SCHNITTÖHE****J****VORBEREITUNG DER SCHUTZE**

- Immer mit eingehängter Grasfangbox oder Schutzklappearbeiten.
- Motor abstellen, bevor die Grasfangbox ausgehängt oder die Schneidhöhe verstellt wird.
- Bei laufendem Motor, niemals mit den Händen oder Füßen innerhalb des Maschinengehäuses kommen oder in die Schutzklappe greifen.

Vor dem Mähen sollen Fremdkörper vom Rasen entfernt werden, beim Mähen ist auf Fremdkörper zu achten. Der Benutzer ist im Arbeitsbereich des Mähers gegenüber Dritten verantwortlich.

Beim Anlassen oder Einschalten des Motors darf der Benutzer den Mäher nicht hochkant, sondern, falls erforderlich, nur so schrägstellen, daß das Schneidwerkzeug in die vom Benutzer abgewandte Richtung zeigt.

Bei laufendem Motor unter keinen Umständen mit der Hand oder den Fußspitzen unter den Rand oder in die Auswurföffnung des Mähergehäuses kommen.

K

FUNKTIONSWEISE

VORBEREITUNG DES MOTORS (Abb.KI)

Für die Vorbereitung des Motors vor dem Einsatz und Wartungsarbeiten ist die Betriebsanleitung des Motorenherstellers zu beachten.



ACHTUNG: Vor Gebrauch muss der Motor mit Öl versorgt werden (0.6 l).

START DES MOTORS (Abb.KII)

Nachdem die Einstellungen vorgenommen wurden, kann der Motor wie folgt gestartet werden:

a) Für Motoren mit Choke-System:

bei Modellen mit Beschleuniger, im Falle von kaltem Motor, den Beschleunigerhebel (Abb.KIII . pos.13) in die Position START stellen.

b) Startergriff (14) betätigen, Motor zum Anlaufen vorbereiten, Hebel beim Anlaufen und auf dem Betrieb des Gerätes gegen den Griff gedrückt halten (damit die Motorbremse funktionieren kann).

c) Für Motoren mit Primer-System:

Die Anreicherungs-pumpe (21) auf dem Vergaser 3/4 drücken; bei Modellen mit Beschleuniger, den Beschleunigerhebel (13) in die Position MAX. stellen.

Für weitere Erläuterungen wird auf die Betriebsanleitung des Motors verwiesen. d) Avviare il motore:

d) Motor starten:

START VON HAND: (- Motor-Stopphebel (14) halt).

• den Startergriff (11) anfassen und das Seil ohne Kraftanwendung anziehen, bis ein leichter Widerstand durch die Kompression fühlbar wird. Den Griff zurückgleiten lassen und danach kräftig ziehen..

ELEKTRISCHER START: (- Motor-Stopphebel (14) halt).

• Stift (G) in den Buchse (H) hineindrücken. Drehen Sie den Zündschlüssel (17) .



ACHTUNG: bei Inbetriebnahme des Motors beginnt das Schneidwerkzeug zu drehen.

Den Startergriff (14) während des Betriebs gedrückt halten. Beim Loslassen des Griffs stellt sich der Motor ab.

MÄHEN (Abb.KIII - KIV)

Zum Mähen des Grases das Gerät von Hand anschieben oder den automatischen Vorschub einschalten.

Einschalten des automatischen Vorschubs: den Kupplungsgriff (18) anheben und gedrückt halten.



ACHTUNG: nur bei laufendem Motor einschalten.

Ausschalten des automatischen Vorschubs: den Kupplungsgriff auslassen.

VERSION MIT MESSERSTOPP (Abb.KV)

Bei laufendem Motor, den Handgriff (14) in Richtung der Stange ziehen und gedrückt halten. Den Einschalthebel (19) des Messers nach vorne drücken, um das Messer drehen zu lassen.



ACHTUNG! Wird der Handgriff (14) losgelassen, schaltet sich das Messer aus, indem der Motor weiter läuft.

MÄHEN

Zum Mähen des Grases das Gerät von Hand anschieben oder den automatischen Vorschub einschalten.

Einschalten des automatischen Vorschubs: den Kupplungsgriff (18) anheben und gedrückt halten.



ACHTUNG: nur bei laufendem Motor einschalten.

Ausschalten des automatischen Vorschubs: den Kupplungsgriff auslassen.

L

EINSTELLEN DES ANTRIEBKABELS (nur bei Radantrieb Versionen)

Wichtig: wenn sich beim Drücken des Kupplungshebels der automatische Vorschub nicht einschaltet, muß die Einstellung des Kupplungskabels durch Einfügen der Feder (P) in eine der Bohrungen auf der Platte (R) oder in die Bohrung "S".

M

WARTUNG UND PFLEGE



Achtung! Vor der Ausführung jeglicher Wartungsarbeiten ist der Motor abzuschalten und die Zündkerze abzuklemmen.

- Bei Viertakt-Motor ist der Ölstand zu prüfen, ev. auf normalen Stand bringen oder wenn verschmutzt neu mit frischem Öl füllen. Weitere Einzelheiten können aus der Bedienungsanleitung des Motors entnommen werden.
- Kontrollieren Sie regelmäßig den Sitz der Schrauben.
- Der Mäher ist stets sauber zu halten. Es ist zu vermeiden, dass sich das Mähgut unter dem Chassis sammelt.
- Nach dem Mähen nicht mit dem Auspuffrohr in Kontakt kommen, da sehr erhitzt.
- Messerwerk regelmäßig auf Schäden kontrollieren.

- Den Rasenmäher durch einen Fachmann prüfen lassen wenn gegen harte Widerstände gestoßen ist
- REINIGEN DES UNTEREN KASTENS
Bei ausgeschaltetem und stillstehendem Gerät.
- Anschlussrohr (22) an Wasserhahn am Kasten schließen und Hahn aufstellen.
- Motor starten (Messer dreht sich) und diesen einige Minuten laufen lassen.
- Nach dem die Reinigungsarbeiten abgeschlossen wurden: Motor abschalten Wasserhahn schließen und Rohr aus Gehäuseanschluss nehmen.

N SCHNEIDWERK

- Auswechseln des Messers (23): Schrauben (24) lösen.
- Kontrollieren Messerhalter (25), Kupplungs-scheibe (26) der Hohlkeil (27) und die Scheiben (28) und wenn nötig ersetzen.
- Bei der Montage achten Sie darauf daß der Hohlkeil (27) im Sitz des Wellen motors liegt und das Messer mit der Schneidkante im Drehsinn des Motors gesetzt wird. Der erforderliche Anzugdrehmoment der Messer-befestigungsschraube (24) muss 5,34 Kpm (52,4 Nm) betragen. Sollten Sie Frangen haben, so wenden Sie sich an eine Fachwerksatt.

O KIT ELEKTRISCHE STARTER

- Die Batterie sollte vor dem ersten Start 2-3 Stunden aufgeladen werden.
Wenn beim Start Zeichen von Schwäche auftre-ten, die Batterie 24 Stunden aufladen.
Bei jedem Start nicht länger als 5 Sekunden probieren.

WARTUNG DER BATTERIE



ACHTUNG

Für eine korrekte Wartung der Batterie (31) speziell bei längeren Stillstandzeiten sowie für die Aufladung, ist es nicht notwendig, diese aus dem Support zu nehmen. Hier wie folgt vorgehen:

- 1) Kontakt (32) trennen.
- 2) Batterie in einem trockenen kühlen Raum lagern.
- 3) Batterie vor dem neuerlichen Einsatz bei Raumtempe-ratur 24-36 Stunden aufladen.
- 4) Vor Betrieb Kontakt (32) wieder anschliessen.

GARANTIE & GARANTIEPOLICE

Falls sich ein Teil aufgrund eines Herstellungsfehlers innerhalb der Garantiezeit als defekt herausstellen sollte, wird Husqvar-na Outdoor Products über seine autorisierten Wartungstech-niker kostenlos Reparaturarbeiten ausführen oder Teile auswechseln lassen. Dies gilt unter folgenden Voraussetzungen:

- a) Der Fehler wird direkt dem autorisierten Husqvarna Outdoor Products service center gemeldet.
 - b) Ein Kaufnachweis kann vorgelegt werden.
 - c) Der Fehler läßt sich nicht auf einen Mißbrauch, eine Vernachlässigung oder eine falsche Einstellung durch den Benutzer zurückführen.
 - d) Der Fehler läßt sich nicht auf normale Abnutzung zurückführen.
 - e) Die Maschine wurde nicht von einer von Husqvarna Outdoor Products nicht autorisierten Person gewartet oder repariert, auseinandergenommen oder daran herumgebastelt.
 - f) Die Maschine wurde nicht vermietet.
 - g) Die Maschine ist noch Eigentum des ursprünglichen Käufers.
 - h) Die Maschine wurde nicht kommerziell verwendet.
- Diese Garantie stellt eine Ergänzung der gesetzlichen Rechten des Kunden dar und schränkt diese auf keine Weise ein.

Nachfolgend werden Fehler beschrieben, die nicht von

VERSION MIT MESSERSTOPP

- Zum Ausbau des Messers (29) müssen die beiden Schrauben (30) abgenommen werden.
- Messer kontrollieren und beschädigte Teile wechseln. Danach alle Teile mit den beiden Schrauben (30) unter einem Anzugsmoment von 5,34 Kgm (52,4Nm) montieren.

ENTSORGUNG DER BATTERIE



Die Batterie ist mit dem Symbol des "durchge-strichenen Müllcontainers" und des chemischen Symbols Pb (=Batterie mit Blei) versehen, das bedeutet, dass diese nicht mit Hausratsmüll entsorgt werden darf



Der Benutzer ist gesetzlich verpflichtet, verbrauchte Batterien in die vorgesehenen Sammelstellen für Sondermüll oder bei den Vertriebshändlern zu entsorgen

der Garantie gedeckt sind. Es ist deshalb unbedingt erforderlich, daß Sie die in dieser Betriebsanleitung gegebenen Anweisungen durchlesen und verstehen, wie Ihre Maschine bedient und gewartet wird.

Fehler, die nicht von der Garantie gedeckt sind:

- Auswechseln von abgenutzten oder beschädigten Messern.
- Fehler, die dadurch entstanden sind, daß ein anfänglicher Defekt nicht sofort gemeldet wurde.
- Fehler, die durch einen plötzlichen Stoß entstanden sind.
- Fehler, die dadurch entstanden sind, daß das Produkt nicht gemäß den Anweisungen und Empfehlungen der Betriebsanleitung verwendet wurde.
- Maschinen, die vermietet werden, werden von dieser Garantie nicht gedeckt.
- Folgende Teile werden als Verschleißteile angesehen, ihre Benutzungsdauer hängt von regelmäßiger Wartung ab. Sie unterliegen deshalb normalerweise keinem gültigen Garantieanspruch: Messer, Netzkabel, Riemen.

● Vorsicht!

Alle Garantieansprüche entfallen, wenn Fehler ganz oder teilweise, direkt oder indirekt durch den Einbau von Ersatzteilen oder zusätzlichen Teilen verursacht wurden, die nicht von Husqvarna Outdoor Products hergestellt oder zugelassen urden. Dasselbe trifft für modifizierte Maschinen zu.

EC KONFORMITÄTSERKLÄRUNG

Ich, der Unterzeichner Bengt Ahlund, Husqvarna Outdoor Products Italia Spa, Via Como 72, 23868 Valmadrera (LC) bescheinige hiermit, dass der Rasenmäher:-

Kategorie Rasenmäher mit Benzinmotor
Fabrikat..... Husqvarna Outdoor Products
die Spezifikationen der Direktive 2000/14/EG erfüllt

Typ..... A
Version..... B
Schnittbreite..... C
Garantierter Geräuschpegel..... D
Gemessener Geräuschpegel..... E
Schalldruckpegel..... F
Vibration des Griffes G

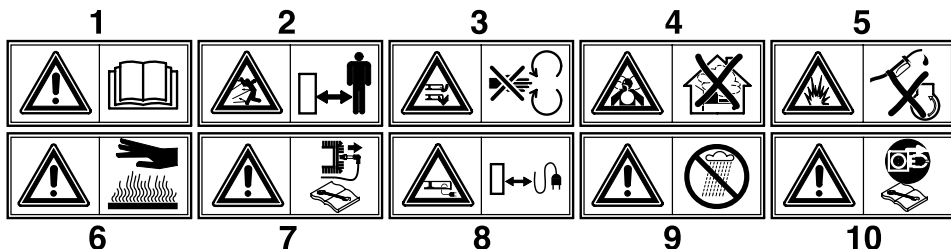
Schneidwerktyp Rotierendes Messer
Identifizierung der reihe Siehe Produkttypenschild
Konformitätsbestätigungsverfahren..... ANNEX VI
Benachrichtigte Behörde..... Nr. 0470 - NEMKO AS
Gautadalleen 30 - PO Box 73 Blindern
0314 OSLO - Norway
Andere Direktiven 98/37/EC, 93/68/EEC, 2002/88/EC, 2004/108/EC
und Normen:e EN836,EN ISO14982,EN1033,EN ISO 3744,EN ISO11201



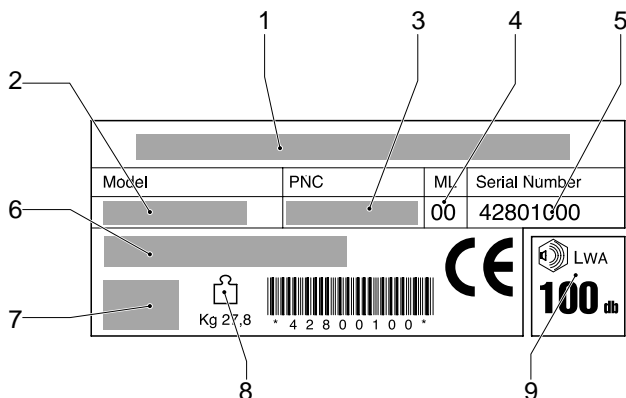
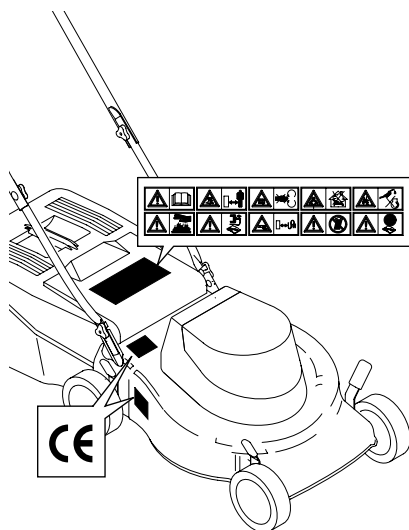
Bengt Ahlund
Technischer Leiter

Husqvarna Outdoor Product Italia S.p.A.
Via Como 72 - 23868 Valmadrera (LC)
3/08/2006

Nous vous remercions de la préférence que vous nous avez accordée en choisissant notre tondeuse. Nous sommes persuadés que vous pourrez apprécier dans le temps la qualité de notre produit et que vous en serez entièrement satisfaits. Nous vous prions de lire attentivement ce manuel, spécialement conçu pour illustrer l'utilisation correcte de cette machine, dans le respect des normes de sécurité fondamentales.



- 1 **Attention!** Lire le manuel d'instructions avant utilisation.
- 2 **Eloigner toute personne étrangère de la zone dangereuse!**
- 3 **Attention!** Danger de blessures des mains et des pieds.
- 4 **Danger d'inhalation de gaz toxiques!** Ne pas utiliser l'appareil dans des espaces fermés ou peu ventilés.
- 5 **Danger d'explosion!** Ne pas faire le plein de carburant, moteur en marche.
- 6 **Attention!** Surface chaude
- 7 **Attention!** Eteindre le moteur et enlever la bougie avant d'effectuer quelque opération d'entretien que ce soit.
- 8 **Ecarter le câble d'alimentation de l'outil tranchant.**
- 9 **Attention!** Protéger de la pluie et de l'humidité.
- 10 **Déconnecter la fiche avant d'intervenir sur l'outil tranchant**



- 1 Constructeur
- 2 Modèle
- 3 Code produit
- 4 Maintenance levier
- 5 Numéro de série
- 6 Type
- 7 Informations sur le moteur
- 8 Poids
- 9 Niveau de puissance sonore

NORMES DE SÉCURITÉ

Mesures de sécurité d'utilisation d'une tondeuse à hélice horizontale à conducteur marchant

ATTENTION: Cette tondeuse est capable d'amputer mains ou pieds et de projeter des objets. L'inobservation des règles de sécurité ci-dessous peut être la cause de blessures sérieuses voire mortelles.

I. Précautions d'utilisation

- Lisez toutes les instructions soigneusement. Familiarisez vous avec les commandes pour apprendre à utiliser efficacement cette machine.
- Ne jamais autoriser les enfants ou les personnes qui n'auraient pas lu ce manuel d'utilisation à utiliser cette tondeuse. La réglementation locale peut de plus interdire l'utilisation de telle machine au-dessous d'un certain âge.
- Ne jamais tondre à proximité de personnes, d'enfants ou d'animaux.
- Ne pas oublier que tout utilisateur ou propriétaire d'un tondeuse à gazon est responsable des accidents ou dommages causés à une personne ou à ses biens.

II. Préparation

- Pendant la tonte, ne portez que des chaussures solides et des pantalons longs. Ne jamais tondre pieds nus ou chaussés de sandales.
- Contrôlez systématiquement et soigneusement l'état de la surface à tondre et retirez tous les objets susceptibles de devenir des projectiles lors du passage de la machine.
- **ATTENTION** – Le carburant est très inflammable.
 - Pour transporter ou stocker le carburant, utilisez exclusivement des récipients conçus et approuvés pour ces usages.
 - Toujours remplir le réservoir de carburant à l'air libre et ne pas fumer pendant le remplissage.
 - Remplir le réservoir de carburant avant de démarrer le moteur. Ne jamais retirer le bouchon du réservoir et ne jamais rajouter de carburant tant que le moteur est en fonctionnement ou qu'il est encore chaud.
 - Si du carburant a été renversé, ne pas tenter de démarrer la tondeuse, mais la pousser hors de la zone où le carburant a été renversé et éviter de créer une quelconque source de chaleur avant que les vapeurs de carburant ne se soient dissipées.
 - Refermez avec précautions les bouchons des réservoirs ou des récipients contenant du carburant pour garantir la sécurité.

- Remplacez les pots d'échappement défectueux.
- Avant d'utiliser un tondeuse à gazon, toujours vérifier que les lames, les boulons de lame et le carter de coupe ne sont pas usés ou endommagés. Toujours remplacer les lames et les boulons simultanément de façon à éviter tout problème d'équilibrage.
- Sur les machines de multi-lames, ne pas oublier que la rotation d'une lame peut entraîner celle des autres.

III. Utilisation

- Ne jamais démarrer un moteur à l'intérieur dans un espace confiné où des émanations dangereuses de monoxyde de carbone pourraient s'accumuler.
- Tondez uniquement à la lumière du jour ou avec une bonne lumière artificielle.
- Évitez de faire fonctionner l'équipement sur le gazon mouillé, si possible.
- Soyez toujours sûrs de bien prendre pied sur les pentes.
- Marchez, ne courez jamais.
- Pour les machines rotatives à roues, tondre à travers les surfaces des pentes, jamais de haut en bas.
- Soyez très prudents lorsque vous changez de direction sur les pentes.

- Ne tondez pas excessivement les pentes escarpées.
- Soyez extrêmement prudents lorsque vous faites marche arrière ou tirez la tondeuse à gazon vers vous.
- Utilisez une butée d'arrêt afin de maintenir la lame immobile si la tondeuse à gazon doit être inclinée pour le transport lorsqu'elle traverse des surfaces autres que le gazon, et lorsque vous transportez la tondeuse à gazon d'un endroit à l'autre.
- N'utilisez jamais la tondeuse à gazon avec des protections défectueuses ou sans dispositif de sécurité, comme par exemple des déflecteurs ou bacs à herbe, en place.
- Conserver le régime de rotation du moteur et ne jamais le faire fonctionner au-dessus de son régime nominal car cela peut être dangereux.
- Débrayer toutes les lames et actionner l'embrayage avant de mettre le moteur en marche.
- Mettez le moteur en marche ou mettez le contact avec soin selon les instructions, les pieds éloignés des lames.
- N'inclinez pas la tondeuse à gazon lors de la mise en marche ou de contact du moteur, sauf si la tondeuse à gazon doit être inclinée pour ce faire. Dans ce cas, n'inclinez pas plus que nécessaire et soulevez seulement la partie éloignée de l'opérateur.
- Ne mettez pas le moteur en marche lorsque vous vous trouvez devant la goulotte d'éjection.
- Ne mettez pas les mains ou les pieds près ou sous les parties rotatives. Tenez-vous toujours à l'écart de l'orifice de sortie
- Ne ramassez ou ne transportez jamais la tondeuse à gazon pendant son fonctionnement
- Arrêtez la machine et débranchez le câble de bougie.
 - avant de retirer l'insert broyeur ou avant de retirer la goulotte d'éjection pour la nettoyer.
 - avant de contrôler, nettoyer ou travailler sur le carter de coupe,
 - avant de retirer un objet coincé dans le tondeuse.
 - si la machine commence à vibrer anormalement.
 - Arrêtez la machine.
 - en tous temps lorsque vous vous éloignez de la tondeuse à gazon
 - avant le ravitaillement en combustible.
- Lorsque la tonte est terminée, réduisez les gaz avant de couper le moteur et, si le tondeuse à gazon est équipé d'un robinet d'arrêt du carburant, fermez celui-ci.
- Ralentissez lorsque vous utilisez un siège arrière.

IV. Entretien et Entreposage

- Assurez-vous que tous les écrous, boulons et vis sont bien serrés pour être certain que l'équipement est prêt à fonctionner de nouveau, dans de bonnes conditions.
- Ne jamais entreposer la tondeuse à gazon avec du carburant dans le réservoir, dans un bâtiment où les vapeurs pourraient s'enflammer au contact d'une flamme ou d'une étincelle de l'allumage.
- Attendre le refroidissement du moteur avant d'entreposer la tondeuse dans un espace fermé.
- Pour supprimer les risques d'incendie s'assurer que le moteur, le pot d'échappement, le logement de la batterie et du réservoir de carburant ne sont pas encrassés par de l'herbe, des feuilles ou des surplus de graisse.
- Vérifier souvent le bac ou le collecteur pour vous assurer qu'il est propre et qu'il n'est pas endommagé.
- Pour plus de sécurité, remplacer systématiquement les pièces usées ou détériorées.
- Si le réservoir de carburant doit être vidangé, procéder à cette opération à l'extérieur. plus de sécurité

A**NOMENCLATURE**

1	Guidon supérieur	12	Déflecteur arrière
2	Guidon inférieur	13	Manette des gaz
3	Vis, écrou de serrage manche supérieur	14	Dispositif de sécurité
4	Bac	15	Groupe réducteur
5	Bouchon de remplissage d'huile	16	Plaquette du guidon
6	Bouchon de vidange d'huile	17	Clé de contact
7	Châssis	18	Manette d'embrayage
8	Leviers de réglage de hauteur de coupe	19	Lever d'engagement de la lame
9	Bougie	20	Manette de la vitesse
10	Bouchon du réservoir d'essence	21	Pompe d'enrichissement
11	Lanceur		

B**MONTAGE DU BAC****C****MONTAGE DU DEFLECTEUR** *(parfois non assembler)***D****MONTAGE DU GUIDON INFÉRIEUR****E****MONTAGE DU GUIDON SUPÉRIEUR****F****MONTAGE DES ROUES** *(parfois non assembler)***G****REGULATION DU GUIDON** *(pour les modèles où il est inclus)***H****INSERTION DU BOUCHON MULCHING** *(pour les modèles où il est inclus)*

Pour effectuer la coupe de l'herbe avec système mulching (sans recueillir l'herbe), soulever la paroi de division et insérer le bouchon en le fixant avec le ressort comme indiqué dans la figure.

I**REGLAGE DE COUPE****J****PRE-EQUIPEMENT PROTECTIONS**

- Effectuer toujours la tonte avec bac à herbe ou déflecteur installé.
- Arrêter le moteur avant de retirer le bac ou régler la hauteur de coupe
- Lorsque le moteur tourne, ne mettez jamais vos mains ou vos pieds sous le carter ou dans le tunnel d'éjection

Avant de commencer la coupe de l'herbe, il faut enlever du gazon les éventuels corps étrangers.

Lors de la mise en marche du moteur l'utilisateur ne doit pas soulever la tondeuse, toutefois si nécessaire, il peut seulement l'incliner de sorte que la lame se trouve du côté opposé à l'utilisateur.

Lorsque le moteur tourne il faut absolument éviter de mettre le main ou le bout des pieds sous le bord du carter ou dans le tunnel d'éjection.

K

FONCTIONNEMENT

MISE AU POINT DU MOTEUR (Fig.KI)

Pour cela, il est nécessaire de consulter le livret d'instruction du fabricant, du moteur.



ATTENTION : Avant l'utilisation, ajouter de l'huile au moteur (0.6 l)

DÉMARRAGE DU MOTEUR (Fig.KII)

Après avoir effectué les opérations de mise au point, procéder au démarrage du moteur de la manière suivante:

- Moteurs avec système "choke":
en cas de moteur froid, positionner le levier d'accélérateur (Fig.KIII - pos.13) sur START.
- Agir sur la poignée de frein (14) pour permettre le démarrage du moteur, tenir le levier serré contre la poignée en phase de démarrage et lors de l'utilisation de la machine (actionne le frein moteur).
- Moteurs avec système "primer":
appuyer 3/4 fois sur la petite pompe d'enrichissement (21) située sur le carburateur; positionner le levier d'accélérateur (13) sur MAX.

Pour tous renseignements complémentaires, voir la notice d'entretien du moteur..

d) Mettre en marche le moteur:

DÉMARRAGE MANUEL: (En tenant le levier d'arrêt du moteur (14)).

● saisir la poignée de démarrage (11) et tirer le lanceur sans effort, jusqu'à percevoir la résistance entraînée par la compression; relâcher la poignée, puis donner un coup sec.

DÉMARRAGE ÉLECTRIQUE: (En tenant le levier d'arrêt du moteur (14)).

● introduire la fiche de plastique (G) dans la fiche (H) attaché au moteur . et tourner la clé (17) pour démarrer la tondeuse.



ATTENTION: La lame est entraînée en rotation dès le démarrage du moteur.)

Pendant le fonctionnement, maintenir appuyée la poignée (14). Dès qu'on la relâche, le moteur s'arrête.

TONTE (Fig.KIII - KVI)

Pour tondre le gazon, pousser manuellement la machine ou enclencher l'avancement automatique.

Enclenchement avancement automatique: soulever la poignée d'embrayage (18) et la maintenir appuyée.



ATTENTION: ne procéder à l'enclenchement que lorsque le moteur est en marche.

Exclusion avancement automatique: relâcher la poignée d'embrayage.

VERSION AVEC FREIN DE LAME (Fig.KV)

Avec moteur en fonction, tirer la manette (14) vers la poignée et la tenir pressée pour enclencher la lame; pousser en avant le levier d'engagement de la lame (19), maintenant la lame commence à tourner.



ATTENTION: Lorsqu'on laisse la manette (14) la lame s'arrête, tandis que le moteur continue à marcher.

TONTE

Pour tondre le gazon, pousser manuellement la machine ou enclencher l'avancement automatique.

Enclenchement avancement automatique: soulever la poignée d'embrayage (18) et la maintenir appuyée.



ATTENTION: ne procéder à l'enclenchement que lorsque le moteur est en marche.

Exclusion avancement automatique: relâcher la poignée d'embrayage.

L

REGULATION DU CABLE D'EMBRAYAGE (seulement pour version auto portee)

Avertissement: si, tout en appuyant sur la poignée d'embrayage, l'avancement ne s'enclenche pas, il faut régler le câble d'embrayage en introduisant le ressort (P) dans un des orifices de la plaque (R) ou dans l'orifice "S".

M

MAINTENANCE



Attention! Eteindre le moteur et enlever la bougie avant d'effectuer quelque opération d'entretien que ce soit

- Pour les moteurs 4 temps, vérifiez régulièrement le niveau d'huile, rajoutez de l'huile ou remplacez la si nécessaire. Lisez attentivement la notice d'entretien du moteur.
- Contrôlez souvent les écrous, les boulons et les vis. L'usure de la visserie présente des dangers mayeurs.
- Nettoyez toujours la tondeuse afin d'éviter que le gazon ne s'attache au dessous du châssis.
- Contrôler fréquemment la lame afin de vérifier d'éventuelles détériorations.

- Faites contrôler votre tondeuse par une station service spécialisée
- Nettoyage sous la coque
Avec la machine à l'arrêt et éteinte :
-Déconnecter le raccord (22) sur la coque au robinet alimentaire eau. Ouvrir le robinet.
-Mettre en marche le moteur (lame en rotation), en le laissant fonctionner quelques minutes.
-Lorsque le nettoyage est terminé, éteindre le moteur, fermer le robinet, détacher la came du raccord coque..

N LAME

- Pour démonter la lame (23) dévisser le boulon (24).
- Contrôler le support porte-lame (25), la rondelle friction (26), la clavette (27) et les rondelles (28) si elles sont usées ou endommagées doivent être remplacé.
- Pendant le montage s'assurer que le clavette (27) est bien à sa place sur l'arbre-moteur et que le côté tranchant de la lame soit dans le sens de rotation du moteur. La vis de lame (24) doit être bloquée avec une couple de serrage de 5,34 Kgm (52,4 Nm).

O KIT DEMARRAGE ELECTRIQUE

- Avant de procéder au premier démarrage, il y a lieu de garder la batterie sous charge pendant 2-3 heures.

En cas de défaillance de la batterie lors du démarrage, la charger pendant 24 heures.

Lors de chaque tentative de démarrage, ne pas insister au-delà de 5 secondes.

MAINTENANCE DE LA BATTERIE



ATTENTION

Pour un bon entretien de la batterie (31), surtout en cas de longues périodes d'arrêt, et pour la recharger, il n'est pas nécessaire que vous la sortiez de sa protection mais vous devez toutefois suivre les règles suivantes :

- 1) Coupez le contact (32).
- 2) Placez la batterie dans un endroit protégé, à l'abri de l'humidité et de la chaleur.
- 3) Rechargez la batterie avant de l'utiliser, à température ambiante pendant 24-36 heures
- 4) Rétablissez le contact (32) avant la mise en service .

GARANTIE ET CONDITIONS DE GARANTIE

Si une pièce s'avère défectueuse pour cause de défaut de fabrication, au cours de la période de garantie, Husqvarna Produits d'extérieur se chargera, sans frais pour le consommateur, de la réparation ou du remplacement, à ses agents de service après-vente agréés, dès lors que :

- a) Le défaut est directement signalé au réparateur autorisé.
- b) La fourniture du justificatif d'achat
- c) Le défaut n'est pas causé par une mauvaise utilisation, une négligence ou un mauvais réglage effectué par l'utilisateur.
- d) La panne n'est pas causée par l'usure normale.
- e) La machine n'a pas été entretenue ou réparée, démontée ou manipulée par toute personne non autorisée par Husqvarna Outdoor Products.
- f) La machine n'a pas été utilisée pour la location.
- g) La machine appartient au premier acheteur.
- h) La machine n'a pas été commercialement utilisée.

- Cette garantie est additionnelle à, et dans aucune circonstance elle diminue les droits statutaires des clients.

Les défauts causés par les articles définis au paragraphe suivant ne sont pas couverts. Il est par conséquent très important de lire les instructions définies au Manuel d'Utilisation et de comprendre comment utiliser et entretenir votre machine.

VERSION AVEC FREIN DE LAME

- Pour retirer la lame (29), desserrer les deux vis (30).
- Vérifier l'état de la lame et remplacer toute partie endommagée, remonter en utilisant les deux vis (30) qui devront être serrées à 5,34 kgm (52,4 Nm).

DESTRUCTION DE LA BATTERIE



Les batteries portant le symbole "conteneur poubelle effacé" et l'indication du symbole chimique Pb (=batterie au plomb) ne doivent absolument pas être jetées dans les poubelles domestiques.



En conformité avec la loi, l'utilisateur doit obligatoirement transporter les batteries usées dans des centres spéciaux de retraitement des déchets, ou bien les remettre aux revendeurs qui se chargeront de son évacuation.

Défauts non couverts par la garantie

- Le remplacement des lames usées ou endommagées.
- Défauts causés par un défaut initial non signalé.
- Défauts causés par un choc soudain.
- Défauts causés par une utilisation non conforme aux instructions et recommandations contenues dans ce Manuel d'Instructions.
- Les machines utilisées pour la location ne sont pas couvertes par cette garantie.
- Les lames, courroie et le câble électriques sont considérés comme parties soumises à l'usure, leur durée d'utilisation dépend d'un entretien régulier, et par voie de conséquence, ils ne font normalement pas l'objet de réclamations dans le cadre de la garantie.

● ATTENTION !

Sous la garantie, Husqvarna Outdoor Products n'accepte pas dans l'ensemble ou en partie, directement ou indirectement, la responsabilité des défauts causés par le montage de pièces de rechange ou de parties supplémentaires qui ne sont pas fabriquées ou approuvées par Husqvarna Outdoor Products, u si la machine a été modifiée de quelque façon que ce soit.

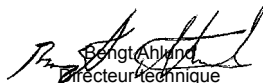
EC DÉCLARATION DE CONFORMITÉ

Je soussigné Bengt Ahlund, Husqvarna Outdoor Products Italia Spa, Via Como 72, 23868 Valmadrera (LC) certifie que la tondeuse:-

Catégorie Thermique rotative à roues
Marque Husqvarna Outdoor Products
est conforme aux spécifications de la Directive 2000/14/EEC

Type A
Version B
Largeur de coupe C
Niveau garanti de puissance sonore D
Niveau mesuré de puissance sonore E
Niveau de puissance sonore F
vibration au guidon G

Type d'outil de coupe Lame rotative
Identification de la serie Voir la Plaquette D'identification
Procédure d'évaluation de la conformité ANNEX VI
Organisme notifié Nr. 0470 - NEMKO AS
Gautadalleen 30 - PO Box 73 Blindern
0314 OSLO - Norway
Autres directives 98/37/EC, 93/68/EEC, 2002/88/EC, 2004/108/EC
et aux normes EN836, EN ISO14982, EN1033, EN ISO 3744, EN ISO11201

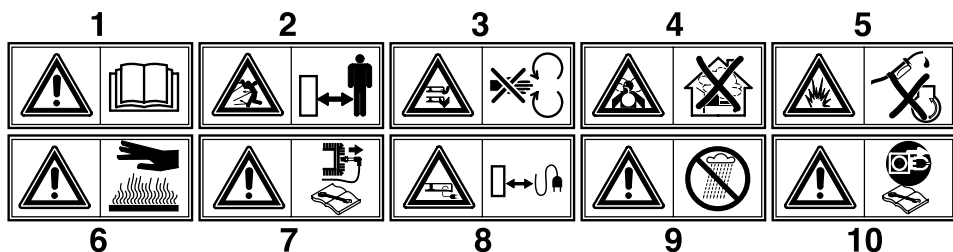


Bengt Ahlund
Directeur technique
Husqvarna Outdoor Product Italia S.p.A.
Via Como 72 - 23868 Valmadrera (LC)
3/08/2006

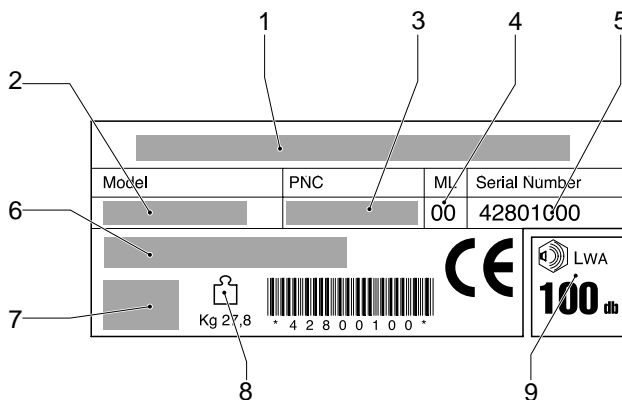
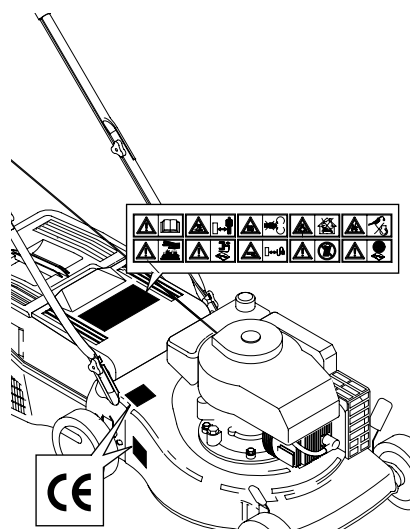
Wij danken u voor het vertrouwen waarmee voor u onze maaimachine heeft gekozen.

U zult langdurig plezier hebben van de kwaliteit van dit produkt.

Leest u aandachtig dit handboek, dat speciaal bedoeld is om u te informeren over het juiste gebruik ervan volgens de vereiste veiligheidsvoorwaarden.



- 1 **Pas op!** De gebruiksaanwijzing voor het gebruik nauwkeurig doorlezen.
- 2 Zorg ervoor dat andere personen buiten de gevarenzone blijven!
- 3 **Let op,** gevaar voor verwondingen aan handen en voeten.
- 4 **Gevaar voor inademing van giftige gassen!** Gebruik het apparaat niet in gesloten of niet goed geventileerde ruimtes
- 5 **Gevaar voor explosie!** Vul geen brandstof met draaiende motor bij.
- 6 **Pas op!** Warm oppervlak
- 7 **Pas op!** De motor uitzetten en de bougie ontkoppelen alvorens enige onderhoudshandeling uit te voeren.
- 8 De voedingskabel op afstand van de maairichting houden.
- 9 **Voorzichtig!** Beschermen tegen regen en vocht. .
- 10 Voor alle onderhoudswerkzaamheden aan de gazonmaaier de stekker uittrekken



- 1 Fabrikant
- 2 Model
- 3 Productnummer
- 4 Onderhoudshandel
- 5 Serienummer
- 6 Type
- 7 Motorinformatie
- 8 Gewicht
- 9 Geluidsvermogen

VEILIGHEIDSVOORSCHRIFTEN

Veilig werken met handbediende grasmaaimachines

BELANGRIJK: *Deze maaimachine kan handen en voeten amputeren en voorwerpen wegslingeren. Het niet opvolgen van deze veiligheidsinstructies kan ernstig of dodelijk letsel tot gevolg hebben.*

I. Training

- Lees de instructies aandachtig. Zorg dat u vertrouwd bent met de bedieningselementen en het juiste gebruik van de machine.
- Laat kinderen of mensen die niet bekend zijn met de instructies, de maaimachine niet gebruiken. Het is mogelijk dat plaatselijke voorschriften een beperking stellen aan de leeftijd van de bestuurder.
- Maai nooit terwijl mensen, vooral kinderen, of huisdieren in de buurt zijn.
- Bedenk dat de bestuurder of gebruiker verantwoordelijk is voor ongelukken of risico's die andere mensen of hun eigendommen kunnen overkomen.

II. Voorbereiding

- Draag tijdens het maaien altijd stevige schoenen en een lange broek. Gebruik de ma chine niet blootsvoets of terwijl u open sandalen draagt.
- Inspecteer de plek waar de machine zal worden gebruikt, grondig en verwijder alle voorwerpen die door de ma chine kunnen worden weggeslingerd.
- **WAARSCHUWING**
 - Benzine is licht ontvlambaar.
 - Bewaar brandstof in blikken die speciaal voor dat doel zijn bestemd.
 - Tank alleen buiten en rook niet tijdens het tanken.- Tank voordat u de motor start. Draai de dop nooit van de benzinetank af of tank nooit terwijl de motor draait of heet is.
 - Als benzine is gemorst, probeer de motor dan niet te starten maar haal de machine van de plaats vandaan waar u benzine heeft gemorst en zorg dat u geen ontstekingsbron teweeg brengt totdat de benzinedampen zijn verdreven.
 - Draai de dop van alle brandstoftanks en -blikken weer goed vast.
- Vervang defecte geluiddempers.
- Inspecteer vóór het gebruik altijd of de messen, mesbouten en maai-inrichting niet versleten of beschadigd zijn. Vervang versleten of beschadigde messen en bouten in sets om het evenwicht in stand te houden.
- Op machines met meerdere messen dient u eraan te denken dat het draaien van één mes andere messen kan doen draaien.

III. Bediening

- Laat de motor niet draaien in een besloten ruimte waar gevaarlijke koolmonoxydedampen zich kunnen verzamelen.
- Maai alleen bij daglicht of goed kunstlicht.
- Ook om nat gras te maaien, waar mogelijk.
- Loop voorzichtig op hellingen.
- Loop normaal, ren niet.
- Maai met een grasmaaier met wielen altijd dwars op de helling, nooit van boven naar onder of omgekeerd.
- Wees bijzonder voorzichtig als u op een helling van richting verandert.
- Maai niet op erg steile hellingen.
- Wees bijzonder voorzichtig als u de grasmaaier naar uzelf toe duwt of draait.

- Zet het mes uit als u de grasmaaier moet optillen om deze over plaatsen zonder gras of van het ene naar het volgende gazon te vervoeren.
 - Werk niet met de grasmaaier als de beschermkappen of veiligheidsmechanismen niet in orde of niet aangebracht zijn (bijv. beschermkappen of grasvangmechanismen).
 - Verander de instelling van de motorregelaar niet en laat de motor niet met te hoge toeren draaien. Als de motor met te hoog toerental draait, kan het risico van lichamelijk letsel groter worden.
 - Zet alle mes- en aandrijfkoppelingen in hun vrij voordat u de machine start.
 - Start de machine of de motor voorzichtig en volgens de gebruiksaanwijzingen en houd uw voeten uit de buurt van het mes.
 - Til de grasmaaier niet op terwijl u deze start of de motor ervan aanzet, tenzij de grasmaaier dient te worden opgetild om deze te kunnen starten. Til de ma chine in dit geval niet hoger op dan nodig en til alleen het gedeelte op dat het verst van de bediener is verwijderd.
 - Zet de machine niet aan terwijl u voor de afvoer staat.
 - Steek uw handen of voeten nooit onder of in de buurt van draaiende delen. Houd de afvoeropening altijd vrij.
 - Til de grasmaaier nooit op en draag deze nooit terwijl de motor draait.
 - Zet de machine uit en maak de bougiedraad los:- voordat u opgehoopt materiaal weghaalt of een verstopte afvoer leeg maakt;
 - voordat u de maaimachine controleert, schoonmaakt of eraan werkt;
 - nadat u een ongewenst voorwerp heeft geraakt. Inspecteer de maaimachine op schade en voer reparaties uit voordat u de machine weer start en gebruikt;
 - als de machine abnormaal begint te trillen (onmiddellijk controleren).
 - Zet de machine uit:
 - als u de grasmaaier achterlaat;
 - voordat u brandstof bijvult.
 - Minder gas tijdens het uitlopen van de motor, en als de motor met een afsluitklep is uitgerust, moet u de brandstofvoevoer aan het einde van het maaien afsluiten.
 - Rijd langzaam als u een meeloopstoeltje gebruikt.
- ### IV. Onderhoud en Opslag
- Houd alle moeren, bouten en schroeven goed vastgedraaid zodat u er zeker van kunt zijn dat de machine in een veilige bedrijfsstaat verkeert.
 - Sla de machine nooit in een gebouw op, waar dampen een open vlam of vonk kunnen bereiken, terwijl zich benzine in de tank bevindt.
 - Laat de motor afkoelen voordat u hem in een besloten ruimte opbergt.
 - Beperk brandgevaar: houd de motor, geluiddemper, accuuruimte en benzine-opslagruimte vrij van gras, bladeren of een overmaat aan smeervet.
 - Controleer de opvangzak vaak op slijtage of verwerking.
 - Vervang versleten of beschadigde onderdelen om veiligheidsredenen.
 - Als de brandstoftank afgetapt moet worden, moet dit buiten worden gedaan.

A**BESCHRIJVING**

1	Bovenste handgreep	11	Starterhandgreep
2	Onderste handgreep	12	Deflector
3	Schroef, moer bevestiging bovenste handgreep	13	Gashendel
4	Graszak	14	Veiligheidshendel
5	Olievuldop	15	Complete reductor
6	Olie-aftapdop	16	Bedieningspaneel
7	Maaikast	17	Contactsleutel
8	Afstelhendels snijhoogte	18	Koppelingshendel
9	Bougie	19	Hendel
10	Tankdop	20	Hendel
		21	Verrijkingspompje

B**BEVESTIGEN VAN DE GRASOPVANGBAK****C****BEVESTIGEN VAN DE DEFLECTOR** *(indien niet reeds gemonteerd)***D****BEVESTIGEN VAN DE ONDERSTE HENDELS****E****BEVESTIGEN VAN DE BOVENSTE HENDELS****F****MONTAGE VAN DE WIELEN** *(indien niet reeds gemonteerd)***G****STELLEN VAN DE HENDELS** *(alleen voor modellen waarbij deze is inbegrepen)***H****PLAATSEN VAN DE MULCHING-DOP** *(alleen voor modellen waarbij deze is inbegrepen)*

Doe, om het gras te maaien met het mulching-systeem (zodat het gras blijft liggen), de kap omhoog en plaats de dop door het met de veer vast te zetten zoals aangegeven op de tekening.

I**AFSTELLEN VAN DE SNIJHOOGTE****J****VOORBEREIDING BESCHERMSTUKKEN**

- Werk altijd met geplaatste grasbak of beschermkap.
- Voor het verwijderen van de grasbak en het afstellen van de snijhoogte altijd de motor stopzetten.
- Bij lopende motor nooit met handen of voeten onder de rand of in de uitwerp-opening van het maaikast komen

Voor het maaien dienen vreemde voorwerpen van het terrein verwijderd te worden. Let tijdens het maaien op eventueel achtergebleven vreemde voorwerpen. De gebruiker is binnen zijn werkzone verantwoordelijk voor derden.

Tijdens het werken of het starten van de motor de maa-machine niet optillen. Indien nodig kan de machine wel

zodanig schuin gehouden worden dat de snijkant zich altijd weg van de gebruiker bevindt.

Bij lopende motor in géén geval met handen of voeten onder de rand of in de uitwerp-opening van het maa-huis komen.

K

WERKEN MET DE MAAIMACHINE

VOORBEREIDING VAN DE MOTOR (Fig.KI)
Voor de voorbereiding van de motor het instructiehandboek van de motorfabrikant raadplegen.



LET OP: Voor het gebruik olie aan de motor toevoegen (0.6l).

STARTEN VAN DE MOTOR (Fig.KII)

Na de voorbereiding kan de motor op de volgende manier gestart worden:

a) Voor motoren met choke-systeem:

bij koude motor, de gashendel (Fig.KIII - pos.13) op de START zetten

b) Het remhandvat (14) indrukken om de motor te kunnen starten, houd de hendel tegen het handvat aangedrukt bij het starten en tijdens het gebruik van de machine (laat de rem van de motor werken).

c) voor motoren met primer-systeem:

de primerknop op de carburateur (21) 3 of 4 keer indrukken; de gashendel (13) op MAX zetten.

Voor nadere aanwijzingen is het raadzaam het instructieboekje van de motor te raadplegen.

d) Motor starten:

HANDMATIG STARTEN: (De stophendel van de motor vasthoudend (14)).

●grijp de starterhandgreep (11) vast en trek langzaam aan het koord tot er compressie ontstaat. Laat de starterhandgreep vieren en trek vervolgens met een snelle krachtige beweging.

ELEKTRISCH STARTEN: (De stophendel van de motor vasthoudend (14)).

●Plaats de plug (G) in het gat (H) op de motor. Draai de sleutel (17)om of druk.



PAS OP: zodra de motor gestart wordt gaat het mes draaien.

Houd de handgreep (14) ingedrukt tijdens het gebruik, bij het loslaten ervan stopt de motor.

MAAIEN (Fig.KIII - KIV)

Begin het maaien door de machine met de hand voortduren of de automatische besturing inschakelen.

Voor het inschakelen van de automatische beweging **Inschakelen aandrijving:** het koppelingshandvat (18) omhoog trekken en ingedrukt houden.



PAS OP: alleen inschakelen bij lopende motor

Uitschakelen aandrijving: het koppelingshandvat loslaten.

VERSIE MET BLADREM (Fig.KV)

Om het mes bij draaiende motor in te schakelen moet u de handgreep (14) naar het handvat toetrekken en ingedrukt houden; druk nu de hendel (19) voor de inschakeling van het mes naar voren, daardoor gaat het mes draaien.



LET OP! Bij het loslaten van de handgreep (14) gaat het mes stilstaan, terwijl de motor blijft functioneren.

MAAIEN

Begin het maaien door de machine met de hand voortduren of de automatische besturing inschakelen.

Inschakelen aandrijving: het koppelingshandvat (18) omhoog trekken en ingedrukt houden.



PAS OP: alleen inschakelen bij lopende motor

Uitschakelen aandrijving: het koppelingshandvat loslaten.

L

STELLEN VAN DE SCHAKELINGSKABEL (alleen voor zelfaangedreven versies)

Belangrijk: wanneer bij aangetrokken koppelingshandvat de aandrijving niet ingeschakeld wordt, dient de koppelingsschakel afgesteld te worden door de veer (P) in een van de volgende gaten van het plaatje (R) te plaatsen "S"

M

ONDERHOUD



Pas op! De motor uitzetten en de bougie ontkoppelen alvorens enige onderhoudshandeling uit te voeren

- Bij viertakt-verbrandingsmotor regelmatig het oliepeil controleren. Indien nodig olie bijvullen of ververset. Voor nadere aanwijzingen het instructiehandboek van de motor raadplegen.
- Regelmatig de schroeven en moeren controleren.
- Na het maaien de machine altijd zowel van boven als van onderen schoonhouden. Vermijden dat zich gras onder het chassis verzamelt.
- Niet met de uitlaat in contact komen, daar deze erg heet kan zijn.
- Het mes vaak controleren: voor een goed snijresultaat dient het mes scherp en in balans te zijn.
- Controleer vaak het mes op eventuele beschadigingen.

- Het is raadzaam aan het eind van elk seizoen de maaaimachine door een vakman te laten nakijken; vooral wanneer het mes hard tegen hindernissen heeft gestoten.
- Reiniging orderchassis
Met stilstaande en uitgeschakelde machine.
 - Verbind het verbindingssstuk (22) op het chassis met de watertoevoerkraan. Zet de kraan open.
 - Start de motor (draaiend mes) en laat hem enkele minuten draaien.
 Na de reiniging: zet de motor uit, draai de kraan dicht, verwijder de buis

MES

- Voor het verwijderen van het mes (23) de schroef (24) losdraaien
- Controleren: de messteun (25), koppelingsschijf (26), de spie (27) en de schijven (28) en in geval van beschadiging vervangen.
- Tijdens de montage ervoor zorgen dat de spie (27) in de zitting van de aandrijfas ligt en dat het mes met de snijkant in de draairichting van de motor geplaatst is. Het aanloopkoppel van de mesbevestigingsschroef (24) dient 5,34 Kpm (52,4 Nm) te bedragen.

0 KIT ELEKTRISCH STARTSYSTEEM

- Het is raadzaam om de accu voor de eerste keer starten gedurende 2-3 uur op te laden. Indien de accu gedurende het starten onvoldoende lading blijkt te hebben, 24 uur opladen. Bij elke start niet langer dan 5 seconden aanhouden

ONDERHOUD ACCU



LET OP

Voor een correct onderhoud van de accu (31), vooral voor lange rustperiode's, en voor het opladen, hoeft hij niet uit zijn behuizing genomen te worden, maar moet u als volgt te werk gaan:

- 1) Verwijder het contact (32)
- 2) Bewaar de accu in een koele en droge omgeving
- 3) Laad de accu voor het gebruik bij omgevingstemperatuur op gedurende 24-36 uur.
- 4) Herstel het contact (32) weer voor het gebruik

GARANTIE EN GARANTIEBELEID

Als er binnen de garantieperiode onderdelen defect blijken als gevolg van fabrieksfouten, dan verzorgt Husqvarna Outdoor Products via diens bevoegde monteurs gratis voor reparatie of vervanging, mits:

- a) de fout onmiddellijk wordt doorgegeven aan de geautoriseerde service centre;
- b) het aankoopbewijs getoond kan worden;
- c) de fout niet veroorzaakt werd door misbruik, verwaarlozing of een foute instelling door de gebruiker;
- d) de fout geen gevolg is van normale slijtage;
- e) geen andere persoon, die niet door Husqvarna Outdoor Products geautoriseerd is, de machine onderhouden, hersteld of uit elkaar genomen heeft;
- f) de machine niet verhuurd werd;
- g) de machine het eigendom is van de oorspronkelijke klant;
- h) de machine niet voor commerciële doeleinden gebruikt werd.

- Deze garantie is een extra service en zal in geen geval in de weg staan van uw statutaire rechten.

Onderstaande defecten worden niet gedekt door de garantie. Daarom is het belangrijk dat u de richtlijnen in deze handleiding aandachtig leest, zodat u begrijpt hoe u de machine dient te bedienen en onderhouden:

VERSIE MET BLADREM

- Om het mes (29) te verwijderen, de twee schroeven (30) losdraaien.
- Controleer de staat van het mes en vervang alle onderdelen die beschadigd blijken te zijn, weer monteren met de twee schroeven (30) die aangedraaid moeten worden op 5,34 Kgm (52,4Nm)..

AFVOER VAN DE ACCU



De accu's met het symbool "doorgestreepte vuilniscontainer" en met het chemische symbool Pb (=accu met lood) mogen niet bij het huisvuil weggegooid worden



De gebruiker is verplicht de oude accu's op de speciale verzamelpunten of bij de wederverkopers in te leveren.

Defecten die niet door de garantie gedekt worden:

- Vervangen van versleten of beschadigde messen.
- Defecten die het gevolg zijn van een oorspronkelijke fout die niet werd doorgegeven aan de geautoriseerde service center.
- Defecten die veroorzaakt werden door een botsing met iets.
- Defecten die optreden omdat het product niet gebruikt werd in overeenkomst met de richtlijnen en aanbevelingen die in deze handleiding staan.
- Machines die verhuurd worden, zijn niet gedekt door deze garantie.
- De volgende onderdelen worden beschouwd als onderdelen die onderhevig zijn aan slijtage. Hun functionele levensduur hangt af van een egelmatige onderhoudsbeurt en zij worden bijgevolg niet gedekt door de garantie: messen, elektrisch snoer, riem

● Opgelet!

Husqvarna Outdoor Products garantie dekt geen defecten die een rechtstreeks of onrechtstreeks gevolg zijn van de montage van reserveonderdelen of extra's die niet geproduceerd of goedgekeurd zijn door Husqvarna Outdoor Products, of defecten die het gevolg zijn van een wijziging aan de machine.

EC CONFORMITEITSVERKLARING

Ik, ondergetekende Bengt Ahlund, Husqvarna Outdoor Products Italia Spa, Via Como 72, 23868 Valmadrera (LC), verklaar dat de grasmaaimachine:-

Categorie..... Benzine, met wielen, roterend

Merk..... Husqvarna Outdoor Products

Voldoet aan de specificaties van directief 2000/14/EEC

Type..... A

Versie..... B

Maaibreedte..... C

Gegarandeerd geluidsvermogen..... D

Gemeten geluidsvermogen..... E

Geluidsdrukkniveau..... F

Trilling van de hendel..... G

Type maaier..... Roterend mes

Identificatie van serie..... Zie Productlabel

Procedure voor het beoordelen van conformiteit...ANNEX VI

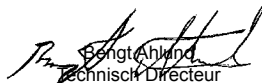
Op de hoogte gestelde instantie.....Nr. 0470 - NEMKO AS

Gaustadalleen 30 - PO Box 73 Blindern

0314 OSLO - Norway

Andere directieven.....98/37/EC, 93/68/EEC, 2002/88/EC, 2004/108/EC

en aan de volgende normen.....EN836,EN ISO14982,EN1033,EN ISO 3744,EN ISO11201



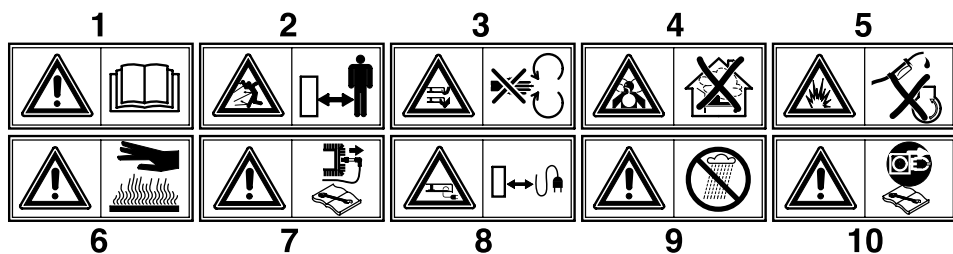
Bengt Ahlund
Technisch Directeur

Husqvarna Outdoor Product Italia S.p.A.

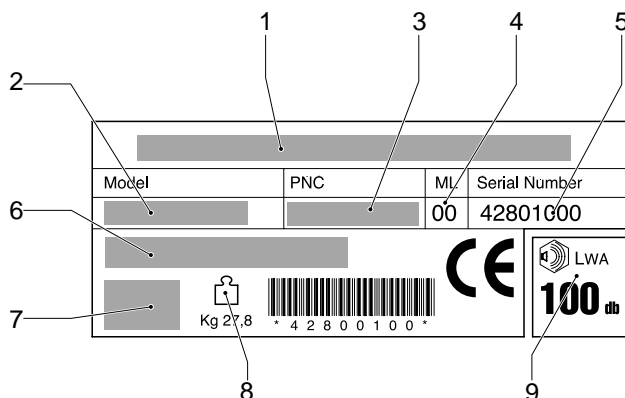
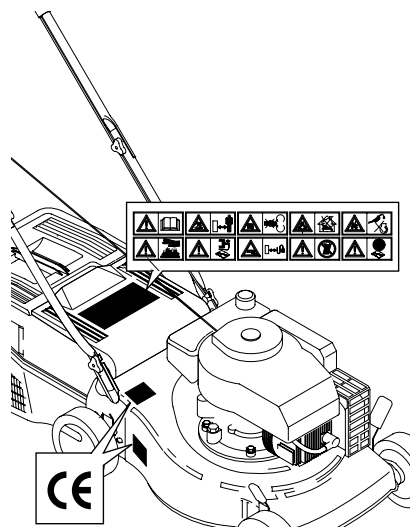
Via Como 72 - 23868 Valmadrera (LC)

3/08/2006

Takk for tilliten du har vist ved å kjøpe vår gressklipper. Vi er sikker på at du i fremtiden vil sette pris på og ha glede av kvaliteten på vårt produkt. Vi ber deg om å lese denne veiledningen for å få all informasjon om riktig bruk i overensstemmelse med de viktigste sikkerhetskravene.



- 1 **Advarsel!** Les bruksveiledningen før bruk.
- 2 **Hold uvedkommende utenfor faresonen!**
- 3 **Advarsel:** Fare for å skade hender og føtter.
- 4 **Fare for å puste inn giftige gasser!** Ikke bruk apparatet i lukkede eller dårlig ventilerte lokaler.
- 5 **Fare for eksplosjon!** Ikke etterfyll drivstoff med motoren i gang.
- 6 **Advarsel!** Varm overflate
- 7 **Advarsel!** Slå av motoren og koble fra tennpluggen før det utføres vedlikehold.
- 8 **Hold strømkabel i god avstand fra kniven.**
- 9 **Pas på!** Beskyttelse mot regn og fuktighet.
- 10 **Koble fra strømkabelen før noe arbeide under klipningen utføres.**



- 1 Konstruktøren
- 2 Modell
- 3 Produkt nummer
- 4 Vedlikehold nivå
- 5 Godsserietallet
- 6 Type
- 7 Motor info
- 8 Vekt
- 9 Lydkraftnivå

SIKKERHETS NORMER

Sikre driftsmetoder for gangkontrollerte roterende plenklippere

VIGTIGT: Denne plæneklipper kan, i værste fall, amputere hender og fødder og slynge genstande langt væk. Hvis du ikke følger følgende sikkerhetsinstruksjoner, kan det medføre alvorlige kvæstelser eller død.

I. Utdannelse

- Læs instruksjonene omhyggelig.
- Du bør have kjennskap til betjeningsgrebene og korrekt bruk av utstyret.
- Lad ikke barn, eller personer der ikke har kjennskap til instruksjonene, benytte plæneklipperen. Benytt ikke plæneklipperen, mens mennesker, spesielt barn, eller kæledyr opholder sig i nærheten.
- Husk, at føreren eller brukeren er ansvarlig for ulykker eller evt. faresituasjoner, der forekommer, overfor andre mennesker eller deres eiendom.

II. Forberedelse

- Når du slår græs, skal du alltid benytte solidt fottøj og lange bukser; du må ikke være barfodet eller gå med åbne sandaler.
- Efterse området grundigt, hvor plæneklipperen skal benyttes, og fjern alle genstande, som kan slynges væk af maskinen.
- **ADVARSEL**
 - Benzin er yderst brandfarligt.
 - Opbevar brændstof i dunke, der er godkendt til formålet.
 - Påfyld kun brændstof udendørs. Rygning er forbudt ved påfyldning af brændstof.
 - Påfyld brændstof, før motoren startes. Tag aldrig dækslet af brændstoftanken eller påfyld benzin, mens motoren er i gang eller er varm.

- Ved spild af brændstof: For at undgå at antænde brændstoffet må du ikke forsøge at starte motoren, før du har flyttet maskinen væk fra stedet, hvor brændstoffet blev spildt.

- Udskift evt. defekte lydpotter.
- Forud for brug, bør du altid efterse følgende grundigt for slid eller skader: Knive, knivbolte og skærehoveder. Udskift slidte eller beskadigede knive og bolte i sæt, for at bevare balancen.
- Da maskinen har flere knive, bør du være forsigtig, fordi de andre knive kan dreje med, når du drejer én kniv.

III. Betjening

- Lad ikke motoren gå i lukkede rum, hvor der kan udvikles farlig kulilte.
- Benyt kun plæneklipperen i dagslys eller i god kunstig belysning.
- Unngå å bruke utstyret på vått gress, der dette er praktisk mulig.
- Forsikre deg om at du trår stødig i skråninger.
- Gå, ikke løp.
- Med roterende maskiner med hjul, klipp på tvers av skråninger, ikke oppover og nedover.
- Vær spesielt forsiktig når du skifter retning i skråninger.
- Ikke klipp i spesielt bratte skråninger.
- Vær spesielt forsiktig når du setter den i revers eller trekker plenklipperen mot deg.

- Stopp bladet dersom plenklipperen må holdes på skrå for transportering på andre underlag enn gress, og ved trans port av plenklipperen til og fra det området som skal klippes.
 - Plenklipperen skal aldri brukes med defekte verneinnretninger, eller uten at sikkerhetsinnretninger, f.eks. defl ektorer og/eller gressfangere, er på plass.
 - Du må ikke ændre motorens regulatorindstilling eller overskride motorens tilladte hastighed. Hvis motoren kører med for stor hastighed, kan det forøge risikoen for personskader.
 - Kople ut alle blad- og kjørekløtsjer før motoren startes.
 - Start motoren eller skru på motoren forsiktig etter instruksene og med føttene plassert på god avstand fra bladet.
 - Ikke skrå plenklipperen når motoren startes eller skrur på, unntatt hvis klipperen må skrås for å startes. I så fall, ikke skrå mer enn absolutt nødvendig, og løft kun den delen som vender bort fra brukeren.
 - Ikke start motoren når du står foran utladningsrennen. Ikke putt hender eller føtter i nærheten av eller under de roterende delene. Hold alltid avstand fra utladningsåpningen.
 - Plenklipperen skal aldri løftes opp eller bæres når motoren er i gang.
 - Stopp motoren og kople fra tennpluggledningen:
 - før blokeringer eller tilstopninger i græs udkaster fjernes;
 - inden kontrol, rengøring eller arbejde på plæneklipperen;
 - efter at have ramt et fremmedlegeme. Efterse plæneklipperen for skader og foretag reparationer, før du starter maskinen og benytter den igen;
 - hvis maskinen begynder at vibrere unormalt, kontroller den omgående.
 - Stopp motoren:
 - når du forlater plenklipperen;
 - før du fyller drivstoff.
 - Reducer hastigheden, mens motoren standses. Hvis motoren er utstyret med en afspæringsventil, lukkes for brændstoffet, når du er færdig med at slå græs.
 - Gå sakte når det brukes etterplate.
- ### IV. Vedlikeholdelse og Oplagring
- Sørg for, at alle møtrikker, bolte og skruer er spændt sikkert for at sikre, at utstyret er i forsvarlig driftsmæssig stand.
 - Udstyret må aldrig oplagres med benzin i tanken i en bygning, hvor dampene kan komme i forbindelse med åben ild eller gnister.
 - Lad motoren køle af, før plæneklipperen oplagres i en lukket bygning.
 - Brandfaren reduceres, ved at rengøre motoren, lyd-potten, batterirummet og brændstoffområdet for græs, blade og overskydende smørefedt.
 - Efterse klippeaggregatet hyppigt for slid eller beskadigelse.
 - Udskift slidte eller beskadigede dele af sikkerhedsgrunde.
 - Hvis brændstoftanken skal tømmes, skal det gøres udendørs.

A**BESKRIVELSE**

1	Øvre håndtak	12	Luke/deflektor
2	Nedre håndtak	13	Turtallsregulator
3	Skrue og mutter	14	Sikkerhets hendel
4	Gressoppsamler	15	Gearkasse
5	Olje påfylling	16	Konsoll
6	Plugg for oljeavtapping	17	Startnøkkel
7	Chassis	18	Hendel for drivhjul
8	Høydejustering	19	Kniv innkobling
9	Tennplugg	20	Fremdrift, hastighetsvelger
10	Bensintanklokk	21	Anrikningspumpe
11	Start-snor/-håndta		

B**MONTERING AV OPPSAMLER****C****MONTERING AV DEFLEKTOR** *(hvis ikke allerede montert)***D****MONTERING AV NEDRE STYRE****E****MONTERING AV ØVRE STYRE****F****PYÖRIEN ASENTAMINEN** *(hvis ikke allerede montert)***G****JUSTERING AV STYRET** *(for modeller dette er aktuelt)***H****INNSETTING AV MULCHING LOKKET** *(for modeller dette er aktuelt)*

For å utføre klippingen av gresset med mulching systemet (uten oppsamling av gresset) hev lemmen og sett inn lokket ved å feste det med fjæra som vist i figuren

I**REGULERING AV KLIPPEHØYDEN****J****SIKKERHETSFORSKRIFTER**

- Gressklipperen må alltid brukes sammen med montert oppsamler eller deflektor.
- Stopp motoren før du fjerner oppsamleren eller regulerer klippehøyden.
- Stikk aldri hender eller føtter under chassiset eller i utkasteråpningen når motoren går.

Før du begynner å klippe, rydd gressplenen for eventuelle fremmedlegemer som kan skade gressklipperen under bruk.

Under arbeidet er det nødvendig å være oppmerksom på eventuelle fremmedlegemer som ligger igjen på plenen. I arbeidsområdet er brukeren ansvarlig overfor tredjepersoner.

Under oppstart eller start av motoren må ikke brukeren heise opp gressklipperen, men kun vippe den over dersom det er nødvendig slik at kniven er vendt mot motsatt side av operatøren.

Man må ikke under noen omstendigheter stikke hender eller føtter under klipperen eller i utkaster åpningen når motoren er i gang

K DRIFT

KLARGJØRING AV MOTOR (Fig.KI)

For klargjøring av motoren, se motorens bruksveiledning som leveres av motorprodusenten.



OBS! FØR DU STARTER MOTOREN MÅ DET FYLLES MOTOROLJE. (SAE 30 - 0,6L)

START AV MOTOREN (Fig.KII)

Når motoren er klargjort startes motoren på følgende måte:

a) For motorer med "choke":

Dersom motoren er kald må reguleringshendel (Fig.KIII - 13) skyves i START posisjon

b) For motorer med "primer":

Trykk 3 - 4 ganger på primeren (21) på forgasseren.

c) Hold sikkerhetshendelen (14) inne både under start og under drift.

For ytterligere oppklaringer se motorens bruksveiledning.

d) Start motoren med startsnoren (11). Trekk forsiktig i snoren til du kjenner motstand, dra deretter i gang motoren med full kraft.

● Sett inn pluggen (G) i sokkelen (H) på motoren. Drei tenningsnøkkelen (17)

Hold håndtaket (14) inntrykket under drift. Når det slippes opp stopper også motoren opp

KLIPPING (Fig.KIII - KIV)

Klipperen kan skyves eller bakhjulsdiftten kobles inn.

Innkobling av bakhjulsdrift: Klem inn hendelen (18) og hold den inne.



Advarsel: Må kun innkobles mens motoren er i gang.

Utkopling av automatisk fremføring: slipp opp clutch-håndtaket.

VERSJON MED KNIVBREMS (Fig.KV)

Med motoren i gang kobler du inn kniven ved å holde hendelen (14) mot styret og skyver hendelen for knivclutchen (19) fremover.

Når hendelen (14) slippes kobles kniven ut.



FORSIKTIG! Når håndtaket (14) løslates, sumpen vil stanse mens motoren vil forsette å virke.

KLIPPING

Klipperen kan skyves eller bakhjulsdiftten kobles inn.

Innkobling av bakhjulsdrift: Klem inn hendelen (18) og hold den inne.



Advarsel: Må kun innkobles mens motoren er i gang.

Utkopling av automatisk fremføring: slipp opp clutch-håndtaket.

L JUSTERING AV CLUTCHWIRE (for versjoner med fremdrift)

OBS! Dersom bakhjulsdriften ikke kobler inn når man klemmer inn hendelen (18), justerer man innkoblingskabelen ved å flytte fjæren (P) til et av de andre hullene på endestykket (R) eller braketten (S).

M VEDLIKEHOLD



ADVARSEL! Ved reparasjoner og vedlikehold av gressklipperen skal alltid tennpluggen kobles fra og holdes bort fra tennpluggen

- For 4-takts bensinmotorer må oljenivået kontrolleres jevnlig. Fyll opp eller bytt ut oljen dersom det er nødvendig. For ytterligere forklaringer se motorens bruksveiledning.
- Kontroller jevnlig at skruene og mutrene er strammet skikkelig. Etter at gresset har blitt klippet må alltid apparatet rengjøres både på under- og oversiden. Unngå at det samler seg opp gress under chassiset.
- Vær oppmerksom på eksosrøret. Det er veldig varmt.
- Kontroller kniven regelmessig for eventuelle skader og sprekker.

- Det er en god vane å la gressklippere bli kontrollert av et "Partner Serviceverksted" og eventuelt foreta en service etter endt sesong. Dette spesielt hvis kniven er skadet eller sløv.
- **DERSON DET SKAL UTFØRES NOEN FORM FOR VEDLIKEHOLD UNDER KLIPPEREN, SKAL DENNE KUN VIPPES OPP I FRAMKANT SLIK AT TENNPLUGGEN BLIR HØYESTE PUNKT**
- For rengjøring under chassiset:
Koble en vannslange til nippelen (22), skru på vannet og start motoren og koble eventuelt inn kniven. La motoren gå noen minutter..

N KNIV

- Løsne skruen (25) for å fjerne kniven (24)
- Kontroller: knivholderen(25), friksjonsskiven(26), kilen (27) og brikken (28). Skift defekte eller skadde deler.
- Ved montering må du passe på at kilen (27) er plassert i sporet i motorakselen og at kniven er montert med den skarpe kanten mot motorens rotasjonsretning. Knivskruen (24) må tiltrekkes med et moment på 5,4 Kpm (53 Nm).

0 ELEKTRISK START

- Før første start er det fordelaktig å lade batteriet i 2 - 3 timer.
- Dersom dette ikke er tilstrekkelig lades det i ytterlige 24 timer.
- Kjør ikke startmotoren mer enn ca. 5 sekunder for hvert startforsøk.

BATTERIVEDLIKEHOLD



OBS!

Ved lengere lagringsperioder f.eks. om vinteren er det nødvendig å gi batteriet en opplading. Dette er også nødvendig dersom man merker at batterieffekten blir for svak i sesongen. Gå frem på følgende måte:

- 1) Koble fra koblingstykket (32).
 - 2) Koble til batteriladeren og lad batteriet i 24 timer.
 - 3) Koble sammen koblingstykket (32) igjen.
- Oppbevar batteriet tørt og kjølig.

GARANTI

Hvis noen del skulle vise seg å være defekt grunnet produksjonsfeil i garantiperioden, vil Husqvarna Outdoor Products gjennom sine autoriserte servicereparatører stå for reparasjon eller bytte, vederlagsfritt for kunden, forutsatt at:

- a) Det meldes fra om feilen direkte til serviceverkstedet eller forhandler.
 - b) Det fremlegges kjøpsbevis.
 - c) Feilen ikke har oppstått på grunn av misbruk, vannskjøltsel eller feilaktig justering av brukeren.
 - d) Svikten ikke skyldes alminnelig bruk og slitasje.
 - e) Maskinen har ikke vært ettersett eller reparert, tatt fra hverandre eller vært fingret med av personer som ikke er autorisert av Husqvarna Outdoor Products.
 - f) Svikten har ikke vært leid ut.
 - g) Maskinen er eid av den opprinnelige kjøperen.
 - h) Maskinen ikke har vært brukt kommersielt.
- Denne garantien er i tillegg til, og reduserer ikke på noen måte, kundens lovbestemte rettigheter.

Svikt som skyldes nedenstående, er ikke dekket. Det er derfor viktig at du leser anvisningene i denne bruksanvisningen og forstår hvordan du skal bruke og vedlikeholde maskinen:

VERSJON MED KNIVBREMS

- For å demontere kniven (29) skru ut de to boltene (30). Skift ut defekte eller skadde deler.
- Knivskruene (30) må tiltrekkes med et moment på 5,4 Kpm (53 Nm).

BATTERIRETUR



Batterier merket med dette merket og det kjemiske symbolet "Pb" inneholder bly og er spesialavfall. Dette får ikke kastes blant vanlig avfall



Batteriet skal leveres inn på særskilte innsamlingsstasjoner eller hos forhandlere av startbatterier. Dette er kostnadsfritt.

Svikt som ikke er dekket av garantien

- Bytte av slitte eller skadde kniver.
- Svikt som skyldes at det ikke ble meldt fra om feilen i utgangspunktet.
- Svikt som skyldes plutselig støt eller kollisjon.
- Svikt som skyldes at produktet ikke har vært brukt i henhold til anvisningene og anbefalingene i denne bruksanvisningen.
- Maskiner som har vært utleid dekkes ikke av denne garantien.
- Følgende deler ansees for å være deler som utsettes for slitasje; knive og elektrisk kabel. Deres levetid avhenger av regelmessig vedlikehold og derfor er de ikke vanligvis gjenstand for gyldige garantikrav: kniver, elektrisk kabel og rem

● Advarsel!

Husqvarna Outdoor Products påtar seg intet ansvar under garantien for feil som helt eller delvis, direkte eller indirekte, har oppstått som følge av at nye deler eller ekstra deler er montert, som ikke er fabrikkert eller godkjent av Husqvarna Outdoor Products, eller som følge av at maskinen på noen måte har vært modifisert.

EC KONFORMITETSERKLÆRING

Undertegnede, Bengt Ahlund, Husqvarna Outdoor Products Italia Spa, Via Como 72, 23868 Valmadrera (LC), attesterer at følgende gressklipper:-

Kategori Bensindreven, roterende på hjul

Merke.....Husqvarna Outdoor Products

Svarer til spesifikasjonene i Direktiv 2000/14/EEC

Type A

Versjon B

Klippebredde C

Garantert lydkraftnivå D

Målt lydkraftnivå E

Støynivå F

Vibrasjoner i styre G

Type klippeinnretning.....Roterende kniv

SerieidentifikasjonSe Produktets Klassifiseringsetikett

Prosedyre for konformitetsvurdering.ANNEX VI

Etat det er meldt fra tilNr. 0470 - NEMKO AS

Gaustadalleen 30 - PO Box 73 Blindern

0314 OSLO - Norway

Andre direktiver98/37/EC, 93/68/EEC, 2002/88/EC, 2004/108/EC

og standarderEN836,EN ISO14982,EN1033,EN ISO 3744,EN ISO11201



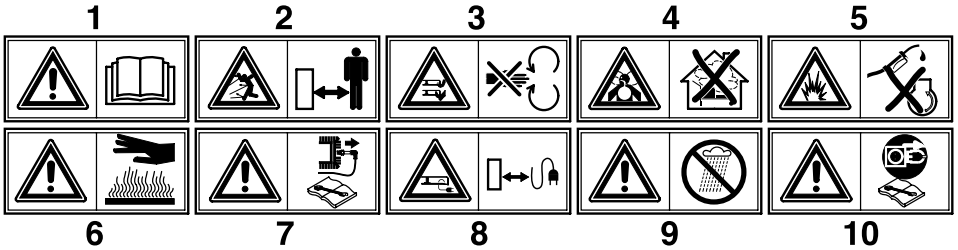
Bengt Ahlund
teknisk direktør

Husqvarna Outdoor Product Italia S.p.A.

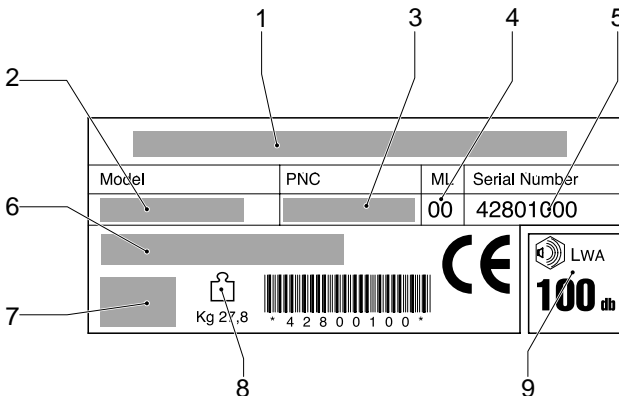
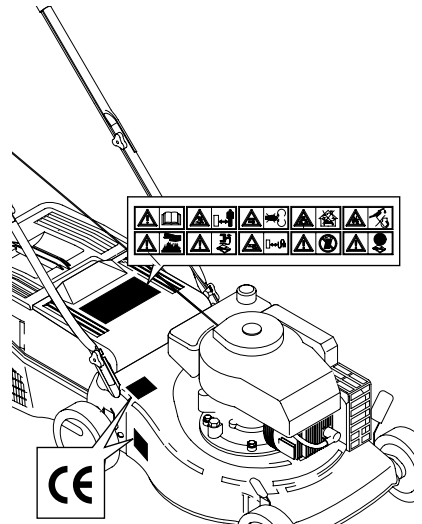
Via Como 72 - 23868 Valmadrera (LC)

3/08/2006

Kiitämme ruohonleikkurimme valinnasta. Olemme varmoja, että tuotteemme tarjoaa parhaan mahdollisen suorituskyvyn ja kestää käytössä pitkään. Lue käyttöopas huolellisesti, sillä se antaa tärkeää laitteen oikeaan ja turvalliseen käyttöön liittyvää tietoa.



- 1 **Huomio!** Lue käyttöopas huolellisesti ennen laitteen käyttöönottoa.
- 2 Älä anna asiattomien henkilöiden oleskella vaara-alueella!
- 3 **Huomio:** käsien ja jalkojen loukkaantumisen vaara
- 4 **Myrkyllisten kaasujen hengittämisen vaara!** Älä käytä laitetta suljetuissa tai riittämättömästi ilmastoiduissa tiloissa.
- 5 **Räjähdyksen vaara!** Älä suorita polttoaineentäydennystä moottorin käydessä.
- 6 **Huomio!** Kuuma pinta
- 7 **Huomio!** Sammuta moottori ja irrota sytytystulppa ennen minkään huoltotoimenpiteen aloittamista.
- 8 Pidä virtajohto kaukana leikkaavasta terästä.
- 9 **Varoitus!** Suojele sateelta ja kosteudelta.
- 10 **Irrota pistotulppa pistorasiasta ennen minkään leikkaavaan terään tehtävän toimenpiteen suorittamista.**



- 1 Valmistaja
- 2 Malli
- 3 Tuotteen koodi
- 4 Muutosluettelo
- 5 Tuotteen sarjanumero
- 6 Tyyppi
- 7 Moottorin tekniset ominaisuudet
- 8 Paino
- 9 Luotettava tehontaso

TURVANORMIT

Käyden ohjattavien ruohonleikkureiden turvalliset käyttötavat

TÄRKEÄÄ: Tämä leikkuri voi vahingoittaa käsiä ja jalkoja ja se voi heittää esineitä. Alla olevin turvallisuusohjeiden laiminlyöminen voi johtaa vakavaan vammaan tai kuolemaan.

I. Koulutus

- Lue ohjeet huolellisesti. Tutustu säätimiin ja opettele välineiden oikea käyttö.
- Älä koskaan anna lasten tai ihmisten, jotka eivät ole tutustuneet käyttöohjeisiin, käyttää ruohonleikkuria. Paikalliset säännöt voivat rajoittaa ajajan ikää.
- Älä koskaan leikkaa ruohoa, kun ihmisiä, varsinkin lapsia on lähellä.
- Muista, että ajaja tai käyttäjä on vastuussa alueella toisille ihmisille sattuvista onnettomuuksista tai vaaroista.

II. Valmistelu

- Ruohoa leikattaessa on aina käytettävä vahvoja jalkineita ja pitkiä housuja. Älä käytä konetta paljain jaloin tai avoimin sandaalein.
- Tarkasta huolellisesti alue, jolta ruoho leikataan ja poista kaikki esineet, joita kone voi heittää ympäri.
- VAROITUS! Bensiini on hyvin tulenarkaa.
 - Säilytä polttoaine tähän tarkoitukseen erityisesti suunnitelluissa astioissa.
 - Lisää polttoainetta ainoastaan ulkona; älä tupakoi polttoainetäytön aikana.
 - Lisää polttoainetta ennen kuin käynnistät moottorin. Älä koskaan poista tulppaa polttoainesäiliöstä tai lisää bensiiniä moottorin ollessa käynnissä tai kuumana.
 - Jos bensiiniä läikkyä, älä yritä käynnistää moottoria, vaan siirrä kone pois läikkyäalueelta ja vältä luomasta mitään syytyslähdetä ennen kuin bensiinihöyryt ovat hävinneet.
 - Pane kaikki polttoainesäiliöiden ja astioiden kannet huolellisesti paikoilleen.
- Vaihda vialliset äänenvaimentimet.
- Ennen käyttöä tarkista aina visuaalisesti, että terät, terien pultit ja leikkuulaite eivät ole kuluneita tai vaurioituneita. Vaihda kuluneet tai vahingoittuneet terät ja pultit sarjoittain tasapainon säilyttämiseksi.
- Monitoraisissa koneissa on oltava varovainen, yhden terän pyörittäminen voi aiheuttaa toisten terien pyörimisen.

III. Käyttö

- Älä käytä moottoria suljetussa tilassa, johon voi keräytyä vaarallisia hiilimonoksidihöyryjä.
- Leikkaa ruoho vainpäivänvalossa tai hyvässä valaistuksessa.
- Mikäli mahdollista, vältä käyttämästä laitetta märällä nurmikolla.
- Varmista aina jalansijasi rinteissä.
- Kävele, älä koskaan juokse. • Kuljeta pyöriällä varustettuja vaakatasoleikkureita rinteiden pitkittäissuunnassa, älä koskaan ylös ja alas.
- Ole äärimmäisen varovainen vaihtaessasi suuntaa rinteissä.
- Älä leikkaa erittäin jyrkkiä rinteitä.
- Ole erittäin varovainen peruuttaessasi tai vetäessäsi ruohonleikkuria itseäsi kohti.

- Pysäytä terä, jos ruohonleikkuri täytyy kallistaa kuljetusta varten tai ylittäessäsi muita pintoja kuin ruohikkoa ja kuljettaessasi ruohonleikkuria leikattavalle alueelle tai siltä pois.
- Älä koskaan käytä ruohonleikkuria, jona turvasuojat ovat viallisia tai ilman paikoilleen kiinnitettyjä turvalaitteita, esimerkiksi ohjauslevyjä ja/tai ruohonkerääjiä.
- Älä muuta moottorin säätöjä tai aja moottoria liian suurilla nopeuksilla. Jos moottoria ajetaan ylinopeuksilla voi henkilövämmän vaara lisääntyä.
- Vapauta kaikki terän ja ajokytkimet ennen moottorin käynnistystä.
- Käynnistä moottori ja kytke moottoriin virta varoen ohjeiden mukaan ja jalat kunnolla erossa terästä.
- Älä kallista ruohonleikkuria moottoria käynnistettäessä tai kytkettäessä moottoriin virta paitsi jos ruohonleikkuri on tarkoitettu kallistettavaksi käynnistettäessä. Tässä tapauksessa älä ehdottomasti kallista enempää kuin on tarpeen ja nosta ainoastaan käyttäjästä pois päin olevaa osaa.
- Älä käynnistä moottoria seisten poistokourun edessä.
- Älä laita käsiä tai jalkoja pyörievien osien lähelle. Pysy aina sivussa poistoaukosta.
- Älä koskaan nosta tai kanno ruohonleikkuria moottorin käydessä.
- Pysäytä moottori ja irrota syytystulpan johto:
 - ennen kuin puhdistat tukoksia tai poistat esteen poistokourusta;
 - ennen kuin tarkistat, puhdistat tai huollat konetta.
 - jos osut vieraaseen esineeseen. Tarkista ruohonleikkuriin kohdistunut vahinko ja korjaa ennen kuin aloitat ja käytät sitä uudelleen;
- jos kone alkaa täristä epänormaalisti (tarkista heti) terälaite on vahingoittunut.
- Pysäytä moottori:
 - aina jättäessäsi ruohonleikkurin;
 - ennen polttoaineen lisäystä.
- Vähennä kaasun säätöä moottorin hidastamiseksi; jos moottorissa on sulkuventtiili, käännä polttoaine pois ruohonleikkauksen päätyttyä.
- Aja hitaasti käyttäessäsi hinnattavaa istuinta.

IV. Huolto ja Säilytys

- Pidä kaikki mutterit, pultit ja ruuvit tiukalla varmistaaksesi, että välineistö on hyvässä toimintakunnossa.
- Älä koskaan säilytä konetta bensiinin ollessa säiliössä rakennuksessa, jossa höyryt voivat joutua kosketuksiin avoimen liekin tai kipinän kanssa.
- Anna moottorin jäähtyä ennen kuin säilytät sitä missään suljetussa tilassa.
- Palovaaran vähentämiseksi, pidä moottori, vaimen-nin, akkuosasto ja bensiinin säilytyspaikka vapaana ruohosta, lehdistä tai liiallisesta rasvasta.
- Tarkista usein, ettei ruohonkerääjä ole kulunut ja muuten huonossa kunnossa.
- Vaihda kuluneet tai vahingoittuneet osat turvallisuuden vuoksi.
- Mikäli polttoainesäiliö on tyhjennettävä, on se suoritettava ulkona.

A**NIMIKKEISTÖ**

1	Työntöaisa	12	Sulkuluukku
2	Ala-ais	13	Kaasuvipu
3	Työntöaisan kinnikkeet	14	Turvavipu
4	Ruohonkeruupussi	15	Vaihdeyksikkö
5	Öljykorkki	16	Hallintapaneeli
6	Öljyn tyhjennyskorkki	17	Sähkökäynnistysvipu
7	Runk	18	Autostart-avain
8	Leikkuukorkeuden säätönuppi	19	Terän käynnistysvipu
9	Sytytystulppa	20	Etenemisnopeuden vipu
10	Polttoainesäiliön korkki	21	Rikastinpumppu
11	Moottorin käynnistyskahva		

B**RUOHONKERÄYSPUSSIN/KORIN ASENNUS****C****SUOJUKSEN ASENNUS** *(jos ei jo asennettu)*

Malleissa, joissa olemassa, asenna suojuukset (Kuva CVII)

D**ALEMMAN KAHVAN ASENNUS****E****YLEMMÄN KAHVAN ASENNUS****F****MONTIRANJE KOLES** *(jos ei jo asennettu)***G****TYÖNTÖAISAN KORKEUDEN SÄÄTÖ** *(vain malleille, joissa olemassa)***H****BIO-TULPAN ASENNUS** *(vain malleille, joissa olemassa)*

Halutessasi käyttää ruohonleikkurin allejättötoimintoa on bio-tulppa asennettava paikoilleen s. 54 osion G kuvien osoittamalla tavalla. Nosta sulkuluukku (12) ja asenna bio-tulppa paikoilleen kiinnitysjousten avulla.

I**LEIKKUUKORKEUDEN SÄÄTÖ****J****TURVALLISUUS**

- Laitetta käytettäessä on ruohonkokoajan oltava paikoillaan tai allejättötoiminnon yhteydessä sulkuluukun (12) oltava kiinni.
- Sammuta moottori aina kun poistat ruohonkeruukorin tai säädät leikkuukorkeutta.
- Älä pane käsiäsi tai jalkojasi milloinkaan rungon reunojen alle tai poistoaukkoon moottorin toimiessa.

Poista kaikki mahdolliset esineet nurmikolta ennen ruohonleikkuun aloittamista.

Varo nurmikolle jääneitä esineitä ruohonleikkuun aikana. Laitteen käyttäjä on vastuussa muille henkilöille sattuneista vahingoista työalueella.

Älä nosta ruohonleikkuria sen käytön tai moottorin käynnistämisen yhteydessä. Kallista sitä ainoastaan tarvittaessa siten, että terä on suunnattuna itsestäsi pois päin.

Älä pane käsiäsi tai jalkojasi milloinkaan rungon reunojen alle tai leikkuujätteen poistoaukkoon moottorin toimiessa

K RUOHONLEIKKURIN KÄYTTÖ

MOOTTORI (Kuva Ki)

Suorita moottoriin tehtävät toimenpiteet sen valmistajan antaman käyttöoppaan ohjeiden mukaisesti.



HUOMIO: Lisää moottoriöljyä ennen käyttöönottoa (0.6i).

MOOTTORIN KÄYNNISTYS (Kuva Kii)

Käynnistä moottori seuraavassa annettujen ohjeiden mukaisesti esivalmistelujen suorittamisen jälkeen:

a) "Choke"-järjestelmällä varustetut moottorit:

Aseta kaasuvipu (Kuva Kiii - 13) START- asentoon, mikäli moottori on kylmä

b) Vedä moottorin turvakytkin (14) kiinni työntöaisaan, jonka jälkeen voit käynnistää moottorin. Moottori sammutuu automaattisesti, jos irrotat otteesi turvakytkimestä. Turvakytkin on siis pidettävä työskentelyn aikana painettuna työntöaisaa vasten.

c) "Primer"-järjestelmällä varustetut moottorit:

Paina kaasuttimelle sijoitettua rikastinpumppua (21) 3 tai 4 kertaa ja aseta kaasuvipu (13) MAX- asentoon.

Lisätietoja löydät moottorin omasta käyttöoppaasta.

d) Käynnistä moottori:

KÄSIKÄYNNISTYS: Vedä moottorin turvakytkin (14) kiinni työntöaisaansa.

- Ota moottorin käynnistyskahvasta kiinni (11) ja vedä köyttä kevyesti, kunnes tunnet puristuksesta johtuvan vastuksen. Vapauta kahva ja vedä voimakkaasti.

SÄHKÖKÄYNNISTYS: (painamalla alas moottorin pysäytysjarrua (14)).

- Työnnä pistoke (G) pistorasiaan (H) moottorissa. Käännä virtalukon avainta (17).



HUOMIO! Terä alkaa pyöriä heti moottorin käynnistyksen yhteydessä.

Pidä turvakytkin (14) painettuna toiminnan aikana, sillä moottori pysähtyy kahvan vapauttamisen yhteydessä.

LEIKKUU (Kuva Kiii - Kiv)

Suorita ruohonleikkuu työntämällä laitetta käsin kytke veto päälle.

Vedon käyttö: nosta kytkinvipua (18) ja pidä se painettuna.



HUOMIO: kytke veto päälle ainoastaan moottorin käydessä.

Vedon poiskytkentä: vapauta kytkinvipu

VERSIO TERÄJARRUN KANSSA (Kuva Kv)

Moottorin toimiessa terä käynnistetään vetämällä kahvaa (19) kädensijaa kohdin. Pidä se painettuna. Työnnä terän käynnistysvipua (19) eteenpäin, jolloin terä alkaa pyöriä.



HUOMIO! Kahvan (14) vapauttamisen yhteydessä terä pysähtyy, mutta moottori jatkaa toimintaansa.

LEIKKUU

Suorita ruohonleikkuu työntämällä laitetta käsin tai kytke veto päälle.

Vedon käyttö: nosta kytkinvipua (18) ja pidä se painettuna.



HUOMIO: kytke veto päälle ainoastaan moottorin käydessä.

Vedon poiskytkentä: vapauta kytkinvipu

L KYTKINJOHDON SÄÄTÖ (vain itse liikkuville versioille)

Tärkeää: mikäli veto ei kytkeydy kytkinvivun painamisen yhteydessä, säädä vaihdekaapelia asettamalla jousi (P) yhteen levyllä (R) olevista rei'istä tai kytkinvivun reikään "S".

M HUOLTO



Huomio! Sammuta moottori ja irrota sytytystulppa ennen minkään huoltotoimenpiteen aloittamista

- Tarkista öljyn taso säännöllisesti nelitahtisilla poltto-moottoreilla varustetuissa malleissa. Lisää tai vaihda öljy tarpeen mukaan. Lisätietoja saat moottorin omasta käyttöoppaasta.
- Tarkista ruuvien ja muttereiden kireys säännöllisesti. Puhdista ruohonleikkuri aina käytön jälkeen sekä päältä että alta. Varmista, ettei ruoho pääse kerääntymään rungon alle. Älä kuitenkaan koskaan kaada vettä ruohonleikkurin päälle, sillä se voi vaurioittaa koneen mekanismeja.
- Varo pakoputken äänenvaimenninta, sillä se voi olla tuluksuama.
- Tarkista terän kunto säännöllisesti, ja korjaa viall mahdollisimman nopeasti.

- Ruohonleikkurin teränsä voi johtua epätasapainossa olevasta terästä. Vaihda terä välittömästi tai tasapainota se.
- Anna huoltopisteen tarkistaa ruohonleikkuri jokaisen käyttökauden jälkeen. Tämä on erityisen tärkeää silloin, jos terä on vahingoittunut törmäyksen yhteydessä.
- Ruohonleikkurin alustan puhdistus
Tähän ruohonleikkuriin on mahdollista kiinnittää vesiletku alustan puhdistamiseksi. Toimi seuraavasti:
 - 1) sammuta moottori
 - 2) kyke vesijohto (Gardena-liitin) kiinni ruohonleikkuriin kuvan osoittamalla tavalla ja aukaise hana.
 - 3) käynnistä moottori ja anna sen käydä muutama minuutti
 - 4) sammuta moottori, sulje hana ja irrota letku

N TERÄ

- Poista terä (23) ruuvaamalla ruuvi (24) irti
- Tarkista : terän kannatin (25), kytkimen aluslaatta (26), kiila (27) ja aluslaatat (28). Vaihda ne uusiin, mikäli niissä ilmenee puutteita.
- Varmista asennuksen yhteydessä, että kiila (27) on moottorin akselin istukassa ja että terä on asennettu siten, että leikkaava sivu osoittaa moottorin kiertosuuntaan. Terän ruuvi (24) on kiristettävä vääntömomentilla 5,34 Kpm (52,4 Nm).

O SÄHKÖINEN KÄYNNISTYSARJ

- Lataa akkua 2-3 tunnin verran ennen ensimmäistä käynnistystä.
- Mikäli akun toiminnassa ilmenee puutteita käynnistykseen erityisesti pitkien seisokkiaikojen sekä uudelleen latauksen yhteydessä, lataa sitä 24 tuntia. Älä yritä käynnistää laitetta yli 5 sekuntia kerrallaan

AKUN HUOLTO HUOMIO



Akkua (31) ei tarvitse poistaa laatikostaan huollon suorittamiseksi erityisesti pitkien seisokkiaikojen sekä uudelleen latauksen yhteydessä. Toimi tällöin seuraavasti:

- 1) Irrota liitin(32)
- 2) Säilytä akku kuivassa ja viileässä paikassa
- 3) Lataa akku uudelleen huoneen lämpötilassa ennen käyttöä 24-36 tunnin ajan.
- 4) Kiinnitä liitin (32) uudelleen ennen käyttöönottoa.

TAKUU & TAKUUTODISTUS

Jos jokin osa osoittautuu vialliseksi valmistusvirheen takia takuuajan sisällä, Husqvarna Outdoor Products korjaa vian tai vaihtaa uuteen valtuutetussa huoltoliikkeessä maksutta asiakkaalle edellyttäen, että:-

- a) viasta ilmoitetaan suoraan valtuutetulle korjaamolle;
- b) ostotodistus esitetään;
- c) vika ei johdu väärinkäytöstä, laiminlyömisestä tai käyttäjän suorittamista vääristä säädöistä;
- d) vika ei johdu normaalista kulumisesta;
- e) ruohonleikkuria ei ole huoltanut tai korjannut, purkanut tai muuten käsitellyt kukaan muu kuin Husqvarna Outdoor Products valtuuttama henkilö;
- f) ruohonleikkuria ei ole vuokrattu;
- g) ruohonleikkurin omistaa sen alkuperäinen ostaja;
- h) ruohonleikkuria ei ole käytetty kaupallisiin tarkoituksiin.

- Kulutuskaupan osalta noudatetaan lisäksi jälleenmyyjän ja kuluttajan välillä kuluttajasuojalain säännöksiä.
- Takuu ei kata seuraavista johtuvia vikoja. Siksi on tärkeää, että luet tässä käyttöoppaassa esiintyvät ohjeet huolella, ja ymmärrät, kuinka ruohonleikkuria käytetään.

VERSIO TERÄJARRUN KANSSA

- Poista terä (29) ruuvaamalla kaksi ruuvi (30) irti
- Tarkista terän kunto ja vaihda kaikki vahingoittuneet osat. Kokoa uudelleen käyttämällä kahta ruuvia (30), jotka on kiristettävä 5,34 Kgm (52,4Nm) momenttiin.

AKUN HÄVITTÄMINEN



Akkuja, jotka on merkitty "roskasäiliön päällä oleva risti" symbolilla ja joissa on kemiallinen symboli Pb (= lyijyakku) ei saa heittää tavallisiin kotitalouksille tarkoitettuihin roskasäiliöihin.



Käyttäjän on lain mukaisesti vietävä käytetyt akut asianmukaisiin keräilypisteisiin tai jälleenmyyjille

Takuu ei kata seuraavia:

- Vahingoittuneiden tai kuluneiden terien vaihto.
- Ilmoittamatta jätetystä häiriöstä aiheutuneet viat.
- Yhtäkkisestä iskusta aiheutuneet viat.
- Ruohonleikkurin tässä käyttöoppaassa esitettyjen ohjeiden ja suositusten vastaisesta käytöstä aiheutuvat viat.
- Vuokrakäytössä olevia ruohonleikkureita.
- Seuraavat osat kuluvat normaalikäytössä ja niiden käyttöikä riippuu siitä, kuinka niitä huolletaan ja näin ollen ne eivät normaalisti ole takuun kattamia: terät, verkkojohto ja hihna.

● HUOM!

Husqvarna Outdoor Products takuu ei kata sellaisia vahinkoja, jotka johtuvat suoraan tai epäsuoraan sellaisten varaosien tai lisäosien käytöstä, jotka eivät ole Husqvarna Outdoor Products valmistamia tai sen hyväksy

EC VAATIMUSTENMUSTENMUKAISUUSVAKUUTUS

Minä allekirjoittanut Bengt Ahlund, Husqvarna Outdoor Products Italia Spa, Via Como 72, 23868 Valmadrera (LC).
vakuutan, että seuraava ruohonleikkuri:-

LuokitusBensiinikäyttöinen työnnettävä ruohonleikkuri
MerkkiHusqvarna Outdoor Products

Vastaa direktiivin 2000/14/ETY vaatimuksia.

TyyppiA
VersioB
LeikkausleveysC
Taattu luotettava tehontasoD
Mitattu luotettava tehontasoE
Äänenpaineen tasoF
Tärinä kahvassaG

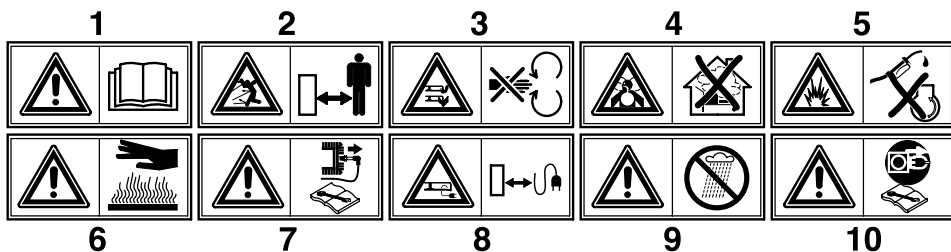
Leikkauslaitteen tyyppiPyörivä terä
Sarjan TunnusKatso Tuotteen Arvokilpeä
YhdenmukaisuusarviointiANNEX VI
TiedotusosapuoliNr. 0470 - NEMKO AS
Gausdalleen 30 - PO Box 73 Blindern
0314 OSLO - Norway
Muut direktiivit98/37/EC, 93/68/EEC, 2002/88/EC, 2004/108/EC
sekä standardejaEN836,EN ISO14982,EN1033,EN ISO 3744,EN ISO11201



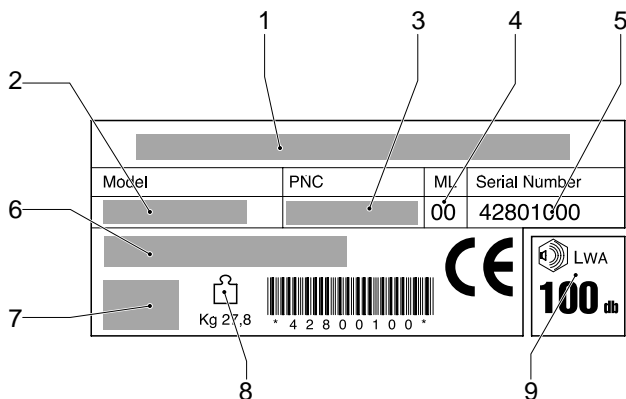
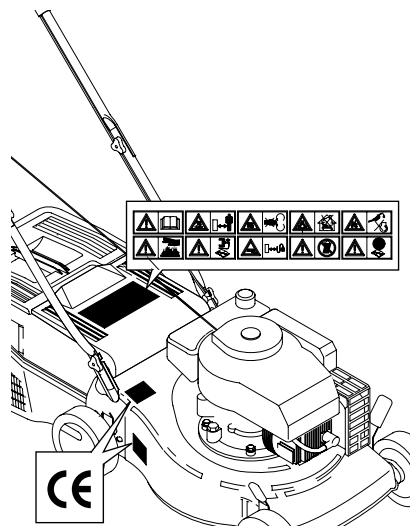
Bengt Ahlund
Tekninen johtaja

Husqvarna Outdoor Product Italia S.p.A.
Via Como 72 - 23868 Valmadrera (LC)
3/08/2006

Vi tackar er för det förtroende ni visat oss genom att köpa vår gräsklippare. Vi är övertygade om att ni med tillfredsställelse kommer att uppskatta vår produkts kvalitet under en lång tid framöver. Vi ber er att noggrant läsa denna bruksanvisning som har till uppgift att informera er om hur man ska använda gräsklipparen på ett korrekt sätt i enlighet med nödvändiga säkerhetskrav.



- 1 **Varning!** Läs bruksanvisningen innan ni använder gräsklipparen
- 2 Håll alla obehöriga på avstånd från riskområdet!
- 3 **Varning:** risk för skada på händer och fötter.
- 4 **Risk för inandning av giftiga gaser!** Använd inte apparaten i stängda eller dåligt ventilerade lokaler.
- 5 **Risk för explosion!** Utför inte påfyllning av bränsle med motorn igång.
- 6 **Varning!** Mycket het yta
- 7 **Varning!** Stäng av motorn och lossa tändstiftet innan något som helst ingrepp för underhåll utförs.
- 8 Håll matningskabeln på säkert avstånd från klippningsverktyget.
- 9 **Varning!** Skyddas från regn och fukt.
- 10 Innan något som helst ingrepp på klippningsverktyget sker, tag ut kontakten för elektrisk matning.



- 1 Tillverkare
- 2 Modell
- 3 Produkt nummer
- 4 Revisions siffra
- 5 Serienummer
- 6 Typ
- 7 Motor information
- 8 Vikt
- 9 Ljudnivå på motor

SÄKERHETSNORMER

Säkerhetsföreskrifter för roterande gräsklippare

VIKTIGT: Denna klippare kan klippa av händer och fötter samt slunga iväg föremål. Underlåtenhet att följa säkerhetsanvisningarna kan resultera i allvariga skador eller dödsfall.

I. Övning

- Läs noga igenom anvisningarna. Se till att du har bekantat dig med alla reglage och hur utrustningen ska användas.
- Tillåt aldrig barn eller personer som inte är införstådda med anvisningarna att använda gräsklipparen. Lokala föreskrifter kan reglera förarens ålder.
- Använd aldrig klippare om personer, speciellt barn, eller husdjur uppehåller sig i närheten.
- Kom ihåg att föraren är ansvarig för olyckor eller olyckstillbud som påverkar andra personer eller deras ägor och ägodelar.

II. Förberedelser

- Bär alltid kraftiga skor och långbyxor under användning av klipparen. Var aldrig barfota eller bär sandaler när du använder utrustningen.
- Undersök noga omgivningen där utrustningen ska användas och avlägsna alla föremål som kan komma att slungas iväg av maskinen.
- **WARNING**
 - Bensin är ytterst lättantändligt.
 - Förvara alltid bränsle i behållare som är avsedda för detta ändamål.
 - Fyll alltid på bränsle utomhus och rök inte under tiden.
 - Fyll på bränsle innan motorn startas. Avlägsna aldrig locket till bensintanken eller fyll på bensin medan motorn är igång eller medan den fortfarande är varm.
 - Om du skulle spilla bensin ska du inte starta motorn utan rulla undan maskinen från området med den utspilda bensinen samt undvika alla former av gnistbildning tills dess att bensinen har dunstat.
 - Sätt alltid tillbaka locket till bensintanken och andra behållare.

- Ersätt trasiga ljuddämpare.

- Utför alltid en visuell inspektion för att kontrollera att knivbladen, bultarna och klipparen inte är slitna eller skadade före starten. Ersätt hela satsen av knivblad och bultar för att bibehålla balansen.
- Var försiktig när du roterar ett knivblad på en maskin med flera blad eftersom detta kan förorsaka att även de andra bladen roterar.

III. Användning

- Kör inte motorn i ett slutet rum där farliga mängder av koldioxid kan samlas.
- Klipp endast i dagsljus eller under fullgott artificiellt ljus.
- Undvik bruk i vått gräs, om möjligt.
- Tänk på stabilt fotfäste i slutningar.
- Gå, spring aldrig.
- Vid bruk av roterande gräsklippare, klipp långsamt med slutningar, aldrig upp och ner.
- Lakta extrem varsamhet vid byte av riktning i slutning.
- Klipp inte överdrivet branta partier.

- Lakta extrem varsamhet vid dragande av gräsklipparen mot dig.
- Stanna rotorbladet när gräsklipparen måste lutas för transport över områden andra än gräs och vid transport till och från området som skall klippas.
- Använd aldrig maskinen med defekta skydd, eller utan säkerhetsanordningar, till exempel avskärmare och/eller gräsupsamlare, på plats.
- Ändra inte stryplackens inställning eller kör motorn på allt för hög hastighet. Om motorn körs med för hög hastighet kan detta öka riskerna för olyckor och personskador.
- Koppla ur alla blad- och drivkopplingar innan motorn startas.
- Starta motorn försiktigt enligt instruktionerna och håll fötterna väl undan från rotorbladet.
- Luta inte gräsklipparen vid start om det inte behövs. Om så är fallet, luta inte mer än absolut nödvändigt och lyft endast den del som är vänd bort från användaren.
- Starta inte motorn stående framför gräsublåset.
- Stoppa inte händer eller fötter nära eller under roterande delar. Håll alltid ur vägen för utblåset.
- Plocka aldrig upp eller försök bära gräsklipparen när motorn är igång.
- Stanna motorn och koppla ur tändstiftshatten:
 - innan du rensar utkastet från maskinen;
 - innan du kontrollerar, rengör eller reparerar gräsklipparen;
 - efter det att du har kört in i ett främmande föremål. Undersök gräsklipparen för att se om den har skadats och utför reparationer innan du åter startar och kör maskinen;
 - om maskinen börjar att vibrera onormalt mycket (kontrollera omedelbart).
- Stanna motorn:- när du lämnar gräsklipparen;- innan påfyllning av drivmedel sker.
- Minska gasreglagets inställning medan motorn stannar och om motorn är försedd med en avstängningsventil ska du stänga av bränsletillförseln efter avslutad klippning.
- Åk långsamt vid användande av påsatt säte

IV. Underhåll och Förvaring

- Se till att alla muttrar, bultar och skruvar är ordentligt åtdragna för att vara säkra på att utrustningen är säker att använda.
- Se till att det inte finns bensin i tanken om du förvarar utrustningen i en byggnad där ångorna kan nå öppen eld eller gnistor.
- Låt motorn svalna innan du förvarar den i ett stängt utrymme.
- Undvik brandrisk genom att se till att motorn, ljuddämparen, batterihållaren och bensinförvaringsutrymmet är fritt från gräs, löv och överflödigt smörjmedel.
- Kontrollera ofta att gräsupsamlare inte är slitna eller trasiga.
- Av säkerhetsskäl skall slitna eller skadade delar omedelbart bytas ut.
- Om du måste tömma bensintanken ska detta göras utomhus.

A**BESKRIVNING**

1	Övre handtag	12	Bakre deflektor
2	Undre handtag	13	Gasreglage
3	Skruv, mutter för fixering av övre handtag	14	Säkerhetshandtag
4	Gräsuppsamlare	15	Automatisk framdrivnings
5	Lock för oljepåfyllning	16	Fästplatta handtag
6	Lock för oljeurtappning	17	Startnyckel
7	Ram	18	Kopplingshandtag
8	Ratt för inställning av klipphöjd	19	Spak för inkoppling av kniv
9	Tändstift	20	Spak framdrivningshastighet
10	Lock bensintank	21	Primerpumpen
11	Handtag för start av motor		

B**MONTERING AV GRÄSUPPSAMLARE****C****MONTERING AV DEFLEKTOR (om ej monterad)****D****MONTERING AV NEDRE STYRE****E****MONTERING AV ÖVRE STYRE****F****MONTERING AV HJUL (om ej monterad)****G****JUSTERING AV STYRE (enbart modeller där sådan ingår)****H****ISÄTTNING AV PROPPEN MULCHING (enbart modeller där sådan ingår)**

För att utföra gräsklippningen med systemet mulching (utan gräsuppsamling) ska du lyfta luckan, sätta i proppen och sätta fast den med fjädern enligt anvisningarna i figuren.

I**INSTÄLLNING AV KLIPPHÖJD****J****SÄKERHETSFÖRESKRIFTER**

- Arbeta alltid med gräsuppsamlaren eller deflektorn monterade i rätt position.
- Stäng alltid av motorn innan gräsuppsamlaren tas bort och innan klippningshöjden ställs in.
- Placera aldrig händer eller fötter under gräsklipparens kant eller i den bakre öppningen för gräsublåsning när motorn är i funktion.

Innan man påbörjar klippningen av gräsmattan, måste eventuella främmande föremål tas bort.

Man måste, under arbetet, vara mycket uppmärksam på främmande föremål som eventuellt blivit kvar på gräsmattan. Användaren är ansvarig för andra personers säkerhet, som befinner sig inom arbetsområdet.

Användaren får inte lyfta upp gräsklipparen under det att motorn startas, om det skulle vara nödvändigt får man luta den åt motsatt håll, med kniven vänt från användaren..

Placera absolut inte händer eller fötter under gräsklipparens kant eller i den bakre öppningen för gräsublåsning, när motorn är i funktiona

K FUNKTION

FÖRBEREDELSE AV MOTOR (Fig.KI)

För att förbereda motorn, måste man konsultera den bruksanvisning som kommer från tillverkaren av densamma.



VIKTIGT: Innan ni använder maskinen måste ni fylla på motorolja (0.6l).

START AV MOTOR (Fig.KII)

Efter att motorn har förberetts, startas den på följande sätt:

- a) För motorer med chokesystem:
om motorn är kall, placera gasreglaget (Fig.KIII - 13) i läget START
- b) Håll in säkerhetshandtaget (14) för att möjliggöra start av motorn. Håll säkerhetshandtaget intryckt mot handtaget under startfasen och under det att ni använder maskinen (den gör så att motorbromsen fungerar).
- c) För motorer med primersystem:
tryck 3 eller 4 gånger på primerpumpen (21) som finns på förgasaren, placera gasreglaget (13) i läget MAX.
- För ytterligare information, rekommenderar vi er att konsultera bruksanvisningar för själva motorn.

d) Starta motorn:

MANUELL START : (Håll in säkerhetshandtaget (14)).

- Ta tag i starthandtaget (11) och drag i snöret utan större kraft tills du känner ett motstånd som orsakas av kompressionen, släpp sakta tillbaka snöret och dra sedan bestämt ut snöret i dess fulla längd..

ELEKTRISK START : (Håll in säkerhetshandtaget (14)).

- Anslut kontakten (G) till uttaget (H) på motorn. Vrid startnyckeln (17) .



VARNING! kniven börjar rotera när motorn sätts i funktion

Håll säkerhetshandtaget (14) intryckt under det att motorn är i funktion, när man släpper säkerhetshandtaget stannar motorn

KLIPPNING (Fig.KIII - KIV)

Skjut maskinen framåt manuellt för att klippa gräset eller koppla in den automatiska framdrivningen

Inkoppling av automatisk framdrivning: dra in kopplingshandtaget (18) och håll det intryckt.



VARNING: koppla endast in den automatiska framdrivningen när motorn är i gång.

Frånkoppling av automatisk framdrivning: släpp kopplingshandtaget.

MODELL GRÄSKLIPPARE MED BBC (Blade Brake Control) (Fig.KV)

För att koppla in kniven med motorn i funktion ska man dra säkerhetshandtaget (14) mot handtaget och hålla den intryckt; tryck sedan säkerhetshandtaget för inkoppling av kniven (19) framåt, på detta sätt startar knivens rotation.



VARNING! När man släpper säkerhetshandtaget (14) kommer kniven att stanna, medan motorn fortsätter att gå.

KLIPPNING

Skjut maskinen framåt manuellt för att klippa gräset eller koppla in den automatiska framdrivningen

Inkoppling av automatisk framdrivning: dra in kopplingshandtaget (18) och håll det intryckt.



VARNING: koppla endast in den automatiska framdrivningen när motorn är i gång.

Frånkoppling av automatisk framdrivning: släpp kopplingshandtaget.

L JUSTERING AV KOPPLINGS VAJER (enbart modeller med drivning)

Viktigt: om den automatiska framdrivningen inte kopplas in när man drar in kopplingshandtaget, är det nödvändigt att justera kopplingskabeln genom att sätta in fjädern (P) i ett av de påföljande hålen på plattan (R) eller i hålet "S" på kopplingshandtaget.

M UNDERHÅLL



Varning! Stäng av motorn och lossa tändhatten från tändstiftet innan något som helst ingrepp för underhåll utförs

- För 4-takts bensinmotorer är det viktigt att med jämna mellanrum kontrollera oljenivån. Fyll på eller byt ut oljan om det visar sig nödvändigt. För ytterligare information se motorns bruksanvisning.
- Kontrollera med jämna mellanrum att skruvar och muttrar är ådragna. Rengör alltid maskinen både på under- och översidan efter gräsklippningen. Undvik att låta gräs ansamlas under ramen.
- Var försiktig med ljuddämparen eftersom den kan bli mycket het.
- Kontrollera kniven ofta för att upptäcka eventuella skador.

- Det är en god vana att efter varje säsong låta en servicestation kontrollera gräsklipparen; detta är speciellt viktigt om kniven mottagit våldsamma slag under arbetet
- Rengöring under ramen
Med maskinen stillastående och avstängd
 - Koppla in anslutningen (22) på ramen. Öppna kranen.
 - Starta motorn (kniven roterar) och låt den vara igång under några minuter.
 - Efter att rengöringen avslutats: stäng av motorn. Stäng kranen, lossa slangen från anslutningen på ramen.

N KNIV

- För att avlägsna kniven (23) skruva loss skruven (24)
- Kontrollera : knivfästet (25), brickan (26), brickan (27) samt brickorna (28), om någon av dessa skulle visa sig vara skadade eller sneda, byt ut dem.
- Försäkra er vid monteringen om att brickan(27) är placerad i motoraxelns utrymme och att kniven är monterad med den skärande sidan vänd i motorns rotationsriktning. Knivens skruv (24) ska åtdragas med ett åtdragningsmoment av 5,34 Kpm (52,4 Nm).

O KIT FÖR ELEKTRISK START

- Det är lämpligt att ladda batteriet under 2-3 timmar innan första start av motorn sker. Om batteriet visar sig vara otillräckligt laddat vid start av motorn, ladda det under 24 timmar. Varje startförsök bör inte vara längre än 5 sekunder.

UNDERHÅLL AV BATTERI

! VIKTIGT

Det är inte nödvändigt att ta loss batteriet (31) från dess fäste för att underhålla det på ett korrekt sätt, speciellt under längre perioder av inaktivitet, eller för att ladda det. Gå tillväga på följande sätt:

- 1) Tag ut kontakten (32)
- 2) Förvara batteriet på en torr och sval plats
- 3) Ladda batteriet i rumstemperatur under 24-36 timmar innan ni använder det .
- 4) Återställ kontakten (32) innan ni använder batteriet.

GARANTI OCH POLICY

Om någon del befins vara defekt på grund av fabriktionsfel under garantitiden kommer Husqvarna division för utomhusprodukter genom en auktoriserad verkstad att reparera eller byta ut delen utan kostnad för kunden under förutsättning att:

- a) Felet rapporteras direkt till den auktoriserade reparatören.
 - b) Köpbevis föreligger.
 - c) Felet inte har orsakats av missbruk, vanskötsel eller felaktigt bruk.
 - d) Felet inte beror på normal förslitning.
 - e) Maskinen inte har reparerats, plockats isär eller behandlats av en icke-auktoriserad reparatör.
 - f) Maskinen inte har hyrts ut.
 - g) Maskinens ägs av den ursprunglige kunden.
 - h) Maskinen inte har brukats kommersiellt.
- Denna garanti utgör ett komplement till kundens lagliga rättigheter och begränsar inte på något sätt dessa.

Garantin omfattar ej fel grundade på nedanstående orsaker. Det är därför viktigt att du läser instruktionerna i denna bruksanvisning och förstår hur din maskin ska användas och underhållas:

MODELL GRÅSKLIPPARE MED BBC (Blade Brake Control)

- För att avlägsna kniven (29) skruva loss de två skruvarna (30)
- Kontrollera knivens tillstånd och byt ut alla delar som är skadade. Montera dit kniven igen med hjälp av de två skruvarna (30) som måste vara åtdragna med 5,34 Kpm (52,4Nm).

NEDBRYTNING AV BATTERI



De batterier som är märkta med symbolen "avfallscontainer överstruken" och med den kemiska symbolen Pb (=blybatteri) får inte kastas i hushållsavfallet.



Användaren är enligt lag tvungen att lämna in använda batterier på för detta avsedda samlingsplatser eller till återförsäljaren

Fel som ej omfattas av garantin

- Byte av nötta eller skadade kniv.
- Underlåtelse att rapportera ett fel som uppkommit tidigare.
- Uppkommet fel efter plötslig stöt.
- Underlåtelse att bruka produkten enligt instruktionerna och rekommendationerna i bruksanvisningen.
- Maskinen har hyrts ut.
- Följande maskindelar anses vara utsatta för normal förslitning och kräver regelbundet underhåll. De omfattas därför inte normalt av denna garanti: kniv, elkabel, bälte.

● Varning!

Husqvarna Outdoor Products ansvarar ej under denna garanti för fel som direkt eller indirekt uppstått efter att reservdelar som inte har tillverkats eller godkänts av Husqvarna Outdoor Products monte

EC FÖRSÄKRAN OM ÖVERENSSTÄMMELSE

Jag, undertecknad Bengt Ahlund, Husqvarna Outdoor Products Italia Spa, Via Como 72, 23868 Valmadrera (LC), intygar härmed att gräsklipparen:-

Kategori Bensin, hjulgående, roterande

Tillverkare Husqvarna Outdoor Products

överensstämmer med specifikationerna i direktiv 2000/14/EEC

Typ..... A

Modell B

Klippbredd C

Garanterad ljudnivå på motor D

Uppmätt ljudnivå på motor..... E

Ljudtrycks nivå..... F

Vibrationer i styre..... G

Typ av klippanordning..... Roterande blad

Identifiering av serie Se Produktidentifieringsetikett

Metod för bedömning av överensstämmels..... ANNEX VI

Notifierat organ Nr. 0470 - NEMKO AS

Gaustadalleen 30 - PO Box 73 Blindern

0314 OSLO - Norway

Andra direktiv..... 98/37/EC, 93/68/EEC, 2002/88/EC, 2004/108/EC

samt följande standarder EN836,EN ISO14982,EN1033,EN ISO 3744,EN ISO11201



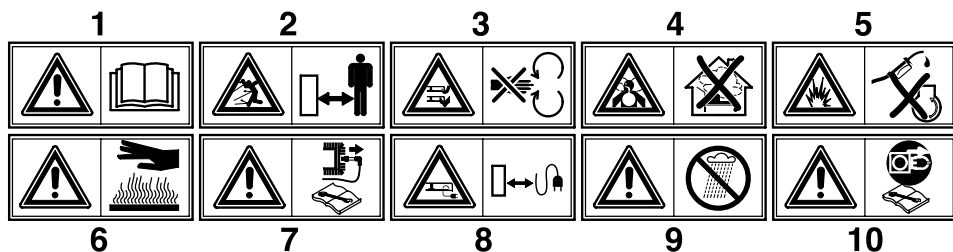
Bengt Ahlund
Teknisk chef

Husqvarna Outdoor Product Italia S.p.A.

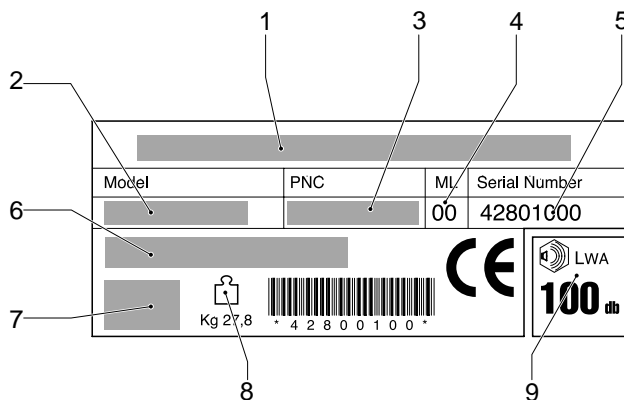
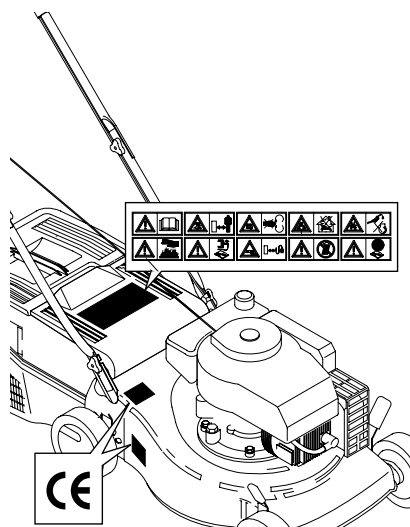
Via Como 72 - 23868 Valmadrera (LC)

3/08/2006

Vi takker dig for at have valgt en af vores plæneklippere. Vi er overbeviste om, at maskinens høje kvalitet og præstationer vil tilfredsstille dine forventninger og klippe din plæne lang tid fremover. Læs vejledningen grundigt igennem, da den indeholder vigtige råd til en korrekt anvendelse i overensstemmelse med de vigtigste sikkerhedskrav.



- 1 **Forsigtig!** Læs vejledningen igennem inden ibrugtagning
- 2 Hold uvedkommende personer på sikker afstand af farezonen!
- 3 **Forsigtig!** Fare for tilføjelse af sår på hænder og fødder.
- 4 **Fare for indånding af giftige gasser!** Anvend aldrig maskinen i lukkede eller dårligt ventilerede rum.
- 5 **Eksplussionsfare!** Fyld aldrig brændstof på med motoren tændt
- 6 **Forsigtig!** Varm overflade.
- 7 **Forsigtig!** Enhver form for vedligeholdelse skal ske med slukket motor og frakoblet tændrør.
- 8 Strømtilførselskablet må ikke være i nærheden af skæreredskabet.
- 9 **BEMÆRK!** Skal beskyttes mod regn og fugtighed
- 10 Tag stikket ud af stikkontakten, inden der røres ved kniven.



- 1 Fabrikant
- 2 Model
- 3 Produktnummer
- 4 ML-nummer
- 5 Serienummer
- 6 Type
- 7 Motor info
- 8 Vægt
- 9 Lydeffektniveau

SIKKERHEDSNORMER

Sikre fremgangsmåder til betjening af fodgængerstyrede roterende græsslåmaskiner.

VIKTIG: Denne klipperen er i stand til å kutte av hender og føtter samt kaste ting rundt omkring. Hvis du unnlater å overholde de følgende sikkerhetsforanstaltninger kan dette resultere i alvorlig skade eller dødssfall.

I. Opplysning

- Bruksanvisningene må leses nøye. Pass godt på at du gjør deg kjent med betjeningsutstyret og lærer hvordan det skal brukes.
- La aldri barn eller uvedkommende personer som ikke er kjente med bruksanvisningene bruke gressklipperen/traktoren. Lokale retningslinjer kan eventuelt begrense operatørens aldersgrense.
- Bruk aldri gressklipperen mens folk, spesielt barn eller dyr, befinner seg i nærheten.
- Husk alltid på at operatøren eller brukeren har ansvar for de ulykker eller farer som eventuelt forekommer på andre mennesker eller deres eiendommer.

II. Forberedelse

- Når gressklipperen/traktoren er i bruk, er det viktig at føreren alltid bruker kraftige sko og lange bukser. Kjøretøyet må ikke drives barbert eller med åpne sandaler.
- Kontroller hele området hvor utstyret skal brukes og fjern eventuelle ting som lett kan bli slengt omkring av maskinen.
- **ADVARSEL**
 - Bensin er meget brannfarlig.
 - Oppbevar bensin i spesielle beholdere laget til dette formål.
 - Fyll kun på bensin utendørs. Det er viktig å huske på at røyking mens man fyller på bensin er meget farlig.
 - Bensinen må tilsettes før maskinen startes. Ta aldri lokket av bensintanken eller tilsett bensin mens motoren er i gang eller mens den er varm.
 - Hvis du tilfeldigvis søler med bensin, må du ikke prøve å starte motoren. Flytt maskinen bort fra det området hvor du sølte, og la vær å start motoren igjen helt til bensinlukten har forsvunnet.
 - Sett alle loddene på bensinstankene og beholderne godt fast igjen.
- Fjern alle defekte lyddempere.
- Før du tar maskinen i bruk, må du alltid sjekke kjøretøyet visuelt for å være sikker på at bladene, bladskruene og hele skjæremonteringen ikke har blitt slitt eller skadet. Eventuelle slitte eller skadede blader og skruer erstattes i satsen slik at balansen opprettholdes til alle tider.
- På maskiner med flere blader, vær forsiktig da rotering av ett blad, kan forårsake at andre blader også begynner å rotere.

III. Drift

- Denne maskinen må ikke brukes innenfor et begrenset område hvor farlig karbonmonoksid kan oppsamles.
- Bruk gressklipperen/traktoren kun om dagen eller med god kunstig lys.
- Undgå bruk av maskinen på vådt græs, hvis mulig.
- Vær alltid sikker på fodfæste på skråninger.
- Gå, løb aldrig.
- For rotormaskiner på hjul, slås langs med fladerne på skråninger, aldrig op og ned.
- Vær yderst forsiktig hvis der skiftes retning på skråninger.

- Slå ikke meget stejle skråninger.
- Vær yderst forsiktig hvis græsslåmaskinen vendes eller trækkes imod Dem.
- Stop klingen hvis græsslåmaskinen skal vippes når der krydses andre overflader end græs, og når græsslåmaskinen transporteres til og fra stedet som skal slås
- Anvend aldrig græsslåmaskinen med defekt beskyttelse, eller uden sikkerhedsudstyr, for eksempel aflædninger og/eller græsopsamlere istedet.
- Motorens regulatorinnstillinger må ikke endres, og motoren må ikke kjøres for fort. Drift av motoren med ekstra sterk hastighet kan forårsake personskader.
- Frigjør alle klinge og drifts koblinger før motoren startes.
- Start motoren eller tilslut motoren forsigtigt i henhold til instruksjonerne og med fødderne passende langt fra klingen.
- Græsslåmaskinen må ikke vippes når motoren startes eller tilsluttes, undtagen hvis græsslåmaskinen skal vippes for å starte. I dette tilfælde må den ikke vippe mere end absolut nødvendig og kun den del som vender væk fra operatøren må vippes.
- Start ikke motoren hvis De står foran ukladningsrenden.
- Hold ikke hænder eller fødder tæt på eller under drejende dele. Hold hele tiden afstand til ukladningsåbningen.
- Græsslåmaskinen må ikke løftes eller bæres når motoren er i gang.
- Stop motoren og frigjør tændkablet:
 - før du skal rengjøre blokkeringer eller forhindre tilstopning av gress-sjakten;
 - før du kontrollerer, rengjør eller arbeider på gressklipperen;
 - hvis du har kommet bort i en fremmed gjenstand, må du kontrollere gressklipperen nøye for å se om eventuell skade og reparasjoner må utføres før du kan ta utstyret i bruk igjen;
 - hvis maskinen begynner med unormale vibrasjoner (dette må undersøkes øyeblikkelig).
- Stop motoren:
 - hver gang De går væk fra græsslåmaskinen;
 - før påfyldning af brændstof.
- Slå ned strupeinnstillingen hvis motoren løper ut, og hvis motoren er utstyrt med en avstengningsventil, slå av bensinen når du er ferdig med å klippe gresset.
- Kjør langsomt hvis der anvendes et påsat sæde.

IV. Vedlikehold og Oppbevaring

- Pass på at alle skruer og bolter sitter godt fast for å kunne forsikre deg om at utstyrets driftsforhold er gode og trygge.
- Maskinen må aldri oppbevares med bensin i tanken inndørs hvor dunstene kan nå åpen flammeholder eller gnister.
- La motoren avkjøles før gressklipperen settes til oppbevaring hvor som helst.
- For å kunne redusere faren for brann, må motoren, lyddempere, batteriseksjonen og bensinbeholderen holdes borte fra gressområder, løv, eller områder som er omgitt av meget olje.
- Sjekk gressfangere ofte for å unngå slitasje eller skade.
- Slitte eller ødelagte deler må sjekkes ofte av sikkerhetsmessige årsaker.
- Hvis bensintanken må tømmes, må dette gjøres utendørs.

A**BESKRIVELSE**

1	Øvre håndtag	12	Håndtag deflektor
2	Nedre håndtag	13	Speederhåndtag
3	Skruer, kontramøtrik for øvre håndtag	14	Sikkerhedshåndtag
4	Opsamler	15	Reduktionsenhed
5	Oliepåfyldningsdæksel	16	Gitter håndtag
6	Oliefætningsprop	17	Tændingsnøgle
7	Stel	18	Koblingshåndtag
8	Håndtag for indstilling af klippehøjde	19	Håndtag for tilkobling af klinge
9	Tændrør	20	Håndtag for fremføringshastighed
10	Benzindæksel	21	Primperpumpe
11	Håndtag for start af motor		

B**MONTERING AF OPSAMLER****C****MONTERING AF OPSAMLER** (hvis ikke allerede samlet)**D****MONTERING AF NEDRE STYR****E****MONTERING AF ØVRE STYR****F****MONTERING AF RAT** (hvis ikke allerede samlet)**G****JUSTERING AF STYR-HØJDE** (kun til modeller hvor dette er inkluderet)**H****PÅMONTERING AF MULCHIN DÆKSLET** (kun til modeller hvor dette er inkluderet)

For at udføre græsslåning med mulching systemet (uden opsamling af græsset) hæves klappen og dækslet påmonteres med fjederen som vist i figuren..

I**INDSTILLING AF KLIPPEHØJDE****J****SIKKERHEDSFORANSTALTNINGER**

- Anvend aldrig plæneklipperen uden opsamler eller deflektor.
- Sluk altid motoren, inden du tager opsamleren af eller ændrer klippehøjden.
- Placer aldrig hænder eller fødder under plæneklipperens kant eller i græsudblæseren, når motoren er tændt.

Fjern eventuelle fremmedlegemer fra plænen, inden klipningen.

Vær opmærksom under klipningen på eventuelle fremmedlegemer, som stadig ligger i græsset. Brugeren er ansvarlig for sikkerheden for andre personer, der befinder sig inden for arbejdsområdet.

Løft aldrig plæneklipperen, når der tændes for motoren eller under græsklipningen. Den kan skubbes let fremover, hvis nødvendigt, så klingens vinkel vender væk fra brugeren.

Placer aldrig hænder eller fødder under plæneklipperens kant eller i græsudblæseren, når motoren er tændt.

K IBRUGTAGNING

FORBEREDELSE AF MOTOREN (Fig.KI)

Læs motorfabrikantens brugsvejledning for forberedelse af motoren.



ADVARSEL: Fyld olie på motoren inden ibrugtagning (0.6l).

START AF MOTOREN (Fig.KII)

Når motoren ellers er gjort klar, tænder du den således:

a) Motorer med chokersystem:

Placer speederhåndtaget (Fig.KIII - 13) på START, hvis motoren er kold.

b) Aktiver bremsehåndtaget (14) for at starte motoren, hold udløserarmen trykket ned mod håndtaget, når maskinen startes og når den er i brug (den styrer motorbremsen).

c) Motorer med primersystem:

Tryk på karburatorens primerpumpe (21) 3 til 4 gange; placer speederhåndtaget (13) på MAX.

Yderligere oplysninger findes i motorfabrikantens vejledning.

d) Start af motoren:

MANUEL START : (Mens du holder motorens stophåndtag (14)).

● Tag fat om starthåndtaget (11) og træk i startsnøren, indtil du mærker modstand, som skyldes kompressionen. Før startsnøren tilbage igen og træk herefter kraftigt i snøren for at starte motoren.

ELEKTRISK START : (Mens du holder motorens stophåndtag (14)).

● Sæt stikket fra håndtaget (G) sammen med stikket fra motoren (H). Drej nøglen (17).



FORSIGTIG! Klingen begynder at dreje, så snart motoren tændes

Hold håndtaget (14) nede under brug, når det slippes standses motoren.

KLIPNING (Fig.KIII - KIV)

Slå græsset ved manuelt at skubbe plæneklipperen eller indrykke den automatiske fremdrift.

Indrykning af automatisk fremdrift: Løft koblingshåndtaget (18) og hold det indrykket.



FORSIGTIG: Indryk den kun ved gående motor.

Frakobling af automatisk fremdrift: Slip koblingshåndtaget.

VERSION MED KNIVBREMSE (Fig.KV)

Med motoren tændt tilkobles klingene ved at trække håndtaget (14) mod grebet og holde det nede; skub håndtaget for tilkobling af klinger frem (19), klingene begynder at rotere.



ADVARSEL! Når håndtaget (14) slippes, standser klingene, mens der stadig er tændt for motoren.

KLIPNING

Slå græsset ved manuelt at skubbe plæneklipperen eller indrykke den automatiske fremdrift.

Indrykning af automatisk fremdrift: Løft koblingshåndtaget (18) og hold det indrykket.



FORSIGTIG: Indryk den kun ved gående motor.

Frakobling af automatisk fremdrift: Slip koblingshåndtaget.

L

JUSTERING AF KOBLINGSKABEL (kun flere selvkørende plæneklipper)

Vigtigt: Hvis den automatiske fremdrift ikke starter, når du trykker på koblingshåndtaget, kan det være nødvendigt at justere koblingskablet ved at sætte fjederen (P) i et af de efterfølgende huller på pladen (R) eller i huller „S“.

M

VEDLIGEHOLDELSE



Forsigtig! Enhver form for vedligeholdelse skal ske med slukket motor og frakoblet tændrør

- For 4-taktsmotorer er det vigtigt at kontrollere oliestanden regelmæssigt. Tilføj eller udskift olie, hvis nødvendigt. Yderligere oplysninger herom findes i motorens brugsvejledning.
- Kontroller regelmæssigt at skruer og møtrikker er skruet ordentligt fast. Rengør altid plæneklipperen efter brug. Sørg for, at der ikke samler sig græs under plæneklipperen.
- Pas på lydæmperen, den bliver meget varm.
- Kontroller regelmæssigt om klingene er beskadiget.

- Det anbefales at få plæneklipperen kontrolleret på et servicecenter, når sæsonen for græsslåning er slut; især hvis klingene udsættes for kraftige stød mod fremmedlegemer under klipningen.
- Rensning af undervogn
Med stilstående og slukket maskine.
 - Slut karrosseriets samlestykke (22) til hanen for vandforsyning. Åbn for hanen.
 - Start motoren (klingen roterer) og lad den køre et par minutter.
 - Efter rensningen: Sluk for motoren. Luk for hanen, tag slangen af samlestykket/karrosseriet.

N KLINGE

- Fjern klingen (23) ved at skrue skruen løs (24)
- Kontroller : Klingeholder (25), koblingskive (26), not (27) og skiver (28). Udskift de beskadigede eller slidte dele.
- Sørg for at noten (27) monteres korrekt på krumtapskalsen og at klingens skærekant vender i motorens rotationsretning. Klingens skrue (24) skal skrues fast med en momentnøgle ved 5,34 Kpm (52,4 Nm).

VERSION MED KNIVBREMSE

- Skru de to skruer (29) løs for at fjerne klingen (30).
- Kontroller klingens tilstand og udskift de beskadigede dele. Monter klingens igen ved brug af de to skruer (30), der skal skrues fast ved 5,34 Kgm (52,4Nm).

O BATTERIOPLADNING

- Lad batteriet op 2-3 timer, inden du starter motoren første gang.
- Hvis batteriet viser sig at være utilstrækkeligt opladet, når du starter motoren, skal du lade det op i 24 timer.
- Hvert startforsøg bør ikke vare mere end fem sekunder.

BORTSKAFFELSE AF BATTERI



Batterier med "containeraffald streget" symbolet og med angivelse af det kemiske symbol Pb (= batteri med bly) må ikke smides ud sammen med hjemmets anden affald.

VEDLIGEHOLDELSE AF BATTERI



ADVARSEL

For en korrekt vedligeholdelse af batteriet (31), især når det ikke bruges i længere perioder, og for genopladningen er det ikke nødvendigt at tage det væk fra opbevaringsstedet, men fortsæt således:

- 1) Frakobl kontakten (32)
- 2) Opbevar batteriet et tørt og køligt sted
- 3) Genoplad batteriet ved stuetemperatur i 24-36 timer inden brug
- 4) Genopret kontakten (32) enden brug



Brugeren skal ved lov indlevere opbrugte batterier på de særlige opsamlingssteder eller hos forhandleren

GARANTI OG RAKLAMATIONSRET

Hvis en del inden for garantiperioden viser sig at være defekt som følge af en fejlproduktion, reparerer eller udskifter Husqvarna Outdoor Products gratis via en autoriseret servicereparatør fejlen, for så vidt:-

- a) Fejlen rapporteres direkte til det autoriserede servicecenter.
 - b) Der kan fremvises en købsnota.
 - c) Fejlen ikke skyldes misbrug, vanrøgt eller fejljustering fra brugerens side.
 - d) Fejlen ikke er opstået som følge af slitage.
 - e) Maskinen ikke er blevet efterset eller repareret, skilt ad eller pillet ved af andre personer end de af Husqvarna Outdoor Products autoriserede servicecentre.
 - f) Maskinen ikke er blevet brugt til udlejning.
 - g) Maskinen ikke er blevet anvendt til kommercielle formål.
 - h) Maskinen ikke er blevet anvendt til kommercielle formål
- Denne garanti udgør en tilføjelse til og mindsker på ingen måde kundens lovbefalede rettigheder.

Fejl som følge af efterfølgende årsager dækkes ikke. Det er derfor vigtigt, at du læser anvisningerne i denne brugervejledning og forstår, hvorledes maskinen skal bruges og vedligeholdes:

Fejl der ikke er dækket af garantien

- Udskiftning af slidte eller beskadigede knive.
- Svigt som resultat af ikke at have rapporteret en tidligere fejl.
- Svigt som følge af slag eller lignende.
- Svigt som resultat af ikke at bruge produktet i overensstemmelse med anvisningerne og anbefalingerne i denne brugsvejledning.
- Maskiner brugt til udlejning er ikke dækket af denne garanti
- Følgende dele betragtes som slidbare dele og deres levetid afhænger af, om de vedligeholdes regelmæssigt, følgelig er de normalt ikke dækket af en gyldig garanti: Knive, elkabel, bælte.

● Forsigtig!

Husqvarna Outdoor Products kan under garantien ikke påtage sig ansvaret for fejl, der helt eller delvist, direkte eller indirekte skyldes monteringen af reservedele eller ekstradele, der ikke er fremstillet eller godkendt af Husqvarna Outdoor Products, eller at maskinen er blevet modificeret på nogen måde.

EC KONFORMITETSERKLÆRING

Undertegnede, Bengt Ahlund, Husqvarna Outdoor Products Italia Spa, Via Como 72, 23868 Valmadrera (LC), bekræfter hermed, at plæneklipperen:-

Kategori Benzindrevet rotorplæneklipper

Fabrikat Husqvarna Outdoor Products

over holder specifikationerne i direktivet 2000/14/EØ

Type A

Version B

Klippebredde C

Garanteret lydeffektniveau D

Målt lydeffektniveau E

Støjniveau F

Vibrationsniveau G

Type klippeenhed Rotorklinge

Identifikation af serie Se Produktmærkat

Fremgangsmåde til vurdering af overensstemmelse ANNEX VI

Underrettet organ Nr. 0470 - NEMKO AS

Gaustadalleen 30 - PO Box 73 Blindern

..... 0314 OSLO - Norway

Andre direktiver 98/37/EC, 93/68/EEC, 2002/88/EC, 2004/108/EC

og standarderne EN836, EN ISO14982, EN1033, EN ISO 3744, EN ISO11201



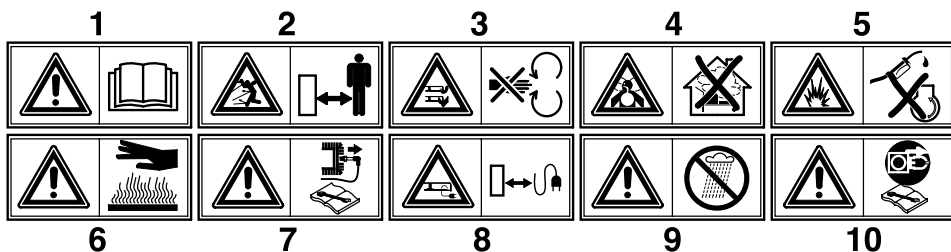
Bengt Ahlund
Teknisk Leder

Husqvarna Outdoor Product Italia S.p.A.

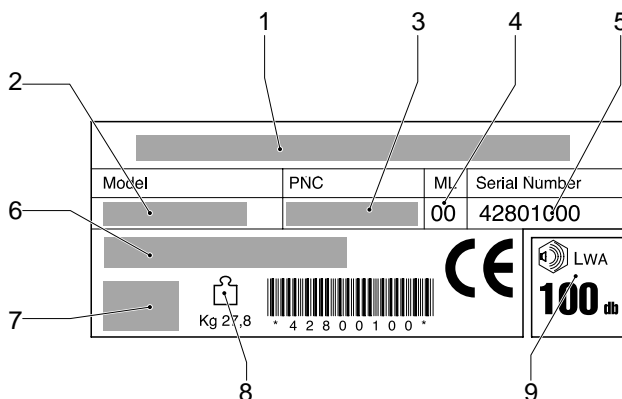
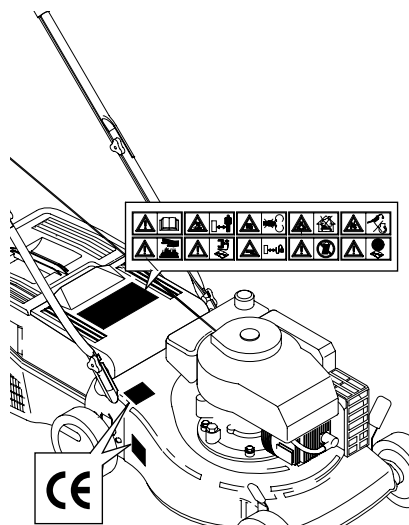
Via Como 72 - 23868 Valmadrera (LC)

3/08/2006

Le damos las gracias por la confianza que nos ha demostrado al comprar nuestro cortacesped. Estamos seguros de que podrá apreciar con el tiempo y con satisfacción la calidad de nuestro producto. Le rogamos lea atentamente este manual preparado expresamente para informarle sobre el uso correcto con arreglo a los requisitos básicos de seguridad.



- 1 **Atención!** Leer el manual de instrucciones antes del uso.
- 2 Mantener al personal ajeno fuera de la zona de peligro!
- 3 **Atención:** peligro heridas a manos y pies.
- 4 **Peligro de aspiración de gases tóxicos!** No utilizar el aparato en ambientes cerrados o poco ventilados.
- 5 **Peligro de explosión!** No rellenar con carburante cuando el motor está encendido
- 6 **Atención!** Superficie caliente
- 7 **Atención!** Apagar el motor y extraer la bujía antes de efectuar cualquier manutención
- 8 Mantener el cable de alimentación lejos de la herramienta de corte
- 9 **Atención!** Proteger de la lluvia de la humedad.
- 10 Antes de intervenir en la herramienta de corte quitar la clavija



- 1 Constructor
- 2 Modelo
- 3 El número del producto
- 4 El nivel de mantenimiento
- 5 Número de serie
- 6 Tipo
- 7 Motor info
- 8 Peso
- 9 Nivel de potencia sonora

NORMAS DE SEGURIDAD

Normas de funcionamiento seguro para cortacéspedes giratorios de pie

IMPORTANTE: Esta máquina cortadora es capaz de amputar las manos y los pies y de lanzar objetos. Si no se observan las instrucciones de seguridad siguientes se pueden producir lesiones graves o la muerte.

I. Instrucción

- Lea todas las instrucciones cuidadosamente. Familiarícese completamente con los controles y con el uso adecuado del equipo
- Nunca permita que los niños o las personas sin los conocimientos adecuados operen la segadora. Leyes locales pueden restringir la edad del operador.
- Asegúrese que el área esté despejada de personas antes de segar, especialmente de niños o animales domésticos.
- El operador o el usuario es el responsable por accidentes o daños ocurridos a otras personas o a su propiedad.

II. Preparación

- Cuando este segando, siempre use zapatos adecuados y pantalones largos. No opere el equipo sin zapatos o usando sandalias.
- Inspeccione cuidadosamente el área en donde se va a utilizar el equipo y remueva los obstáculos que puedan ser lanzados por la máquina.
- **ATENCIÓN** - los combustibles son muy inflamables. -Almacene el combustible en envases especialmente diseñados para este propósito. -Agregue combustible a la máquina afuera y no fume cuando este agregando combustible.
- Agregue el combustible antes de arrancar el motor. Nunca remueva la tapa del depósito de gasolina o agregue combustible con el motor fusionando o cuando el motor este caliente.
- Si derrama combustible, no intente arrancar el motor pero mueva la máquina lejos del área de derrame y no arranque el motor hasta que los vapores se hallan evaporado.
- Vuelva a poner todas las tapas de los tanques y de los envases con seguridad.
- Reemplace los silenciadores defectuosos.
- Antes de usarlo, siempre inspeccione visualmente para ver que las cuchillas, los pernos de las cuchillas y el conjunto cortador no estén gastados o dañados. Reemplace las cuchillas y los pernos gastados o dañados de dos en dos para mantener el equilibrio.
- En máquinas de más de una cuchilla, tenga cuidado puesto que la rotación de una cuchilla puede causar la rotación de otras cuchillas.

III. Operación

- Nunca haga funcionar la máquina dentro de un área cerrada donde gases peligrosos de óxido de carbono pueden acumularse.
- Siegue solamente con luz de día o con una buena luz artificial.
- Si es posible evitar el uso del aparato sobre hierba mojada.
- En caso de pendientes, asegurarse de estar bien firme en los pies.
- Caminar, nunca correr.
- Con las máquinas giratorias con ruedas, cortar horizontalmente con respecto al frente de las pendientes, nunca arriba y abajo.
- Tener mucho cuidado, cuando se camina dirección en las pendientes.
- No cortar demasiado las pendientes muy fuertes.

- Tener mucho cuidado cuando se hace marcha atrás o se empuja el cortacésped hacia sí mismos.
- Parar la hoja en caso de que se tenga que inclinar el cortacésped para transportarlo por una superficie que no sea de hierba, o cuando se transporte de un área a otra por cortar.
- Nunca hacer funcionar el cortacésped con las protecciones defectuosas, o sin los dispositivos de seguridad, por ejemplo deflectores y/o las tomas de hierba en su sitio.
- Nunca cambie los ajustes del regulador o no haga que el motor tenga una velocidad excesiva.
- Desembragar todos los embragues de la hoja y de la transmisión antes de arrancar el motor.
- Arrancar el motor o encender el motor eléctrico con cuidado según las instrucciones y con los pies bien lejos de las hojas.
- No inclinar el cortacésped cuando se arranca el motor o se enciende el motor eléctrico, a menos de que el cortacésped no se tenga que inclinar para poderlo poner en marcha. En este caso, no inclinarlo más de lo absolutamente necesario y levantar solamente la parte más lejos del operador.
- No arrancar el motor cuando se está frente del pasillo de inyección.
- No poner las manos o los pies cerca o debajo de partes rotatorias. Mantenerse siempre lejos de la abertura de descarga.
- Nunca levantar o transportar el cortacésped cuando el motor está en marcha.
- Parar el motor y desconectar el cable de la bujía:
 - antes de limpiar bloqueos o desatascar del conducto;
 - antes de inspeccionar, limpiar o trabajar sobre la segadora;
 - después de golpear un objeto extraño. Inspeccione la segadora cuidadosamente, para verificar si hay daños y haga reparaciones antes de volver a arrancar y a operar el equipo;
 - si la máquina empieza a vibrar anormalmente (verifique inmediatamente).
- Parar el motor:
 - siempre cuando se deja el cortacésped;
 - antes de abastecer el carburante.
- Reduzca los ajustes de la aceleración durante el tiempo que el motor se apague, si el motor viene diseñado con una válvula de apagado, sierre el combustible cuando halla terminado de segar.
- Ir despacio cuando se utiliza un asiento posterior.

IV. Mantenimiento y Almacenamiento

- Guarde todos las tuercas, los pernos y los tornillos apretados para asegurarse que el equipo esta en condiciones de buena operación.
- Nunca guarde la máquina con combustible en el estanco de combustible dentro de un edificio en donde hay fuentes de ignición presente.
- Permita que ese enfríe el motor antes de guardarlo en algún lugar cerrado.
- Para reducir el riesgo de encendido, guarde el motor, el silenciador, el comportamiento de la batería limpios de césped, hojas, y de demasiado grasa.
- Verifique frecuentemente el recogedor del césped para ver si hay uso o deterioración.
- Para la seguridad reemplace las partes que estén usadas o dañadas.
- Si el tanque del combustible debe ser vaciado hágalo afuera.

A**DESCRIPCION**

1	Manillar superior	12	Deflector posterior
2	Manillar inferior	13	Palanca acelerador
3	Tornillo mariposa fijación manillares	14	Mando de seguridad
4	Recogedor de hierba	15	Caja de cambios
5	Tapón llenado aceite	16	Placa de manillar
6	Tapón vaciado aceiteo	17	Llave de contacto
7	Chasis	18	Palanca de embrague
8	Palanca regulación altura de corte	19	Palanca
9	Bujía	20	Palanca
10	Tapón depósito gasolina	21	Bomba de enriquecimiento
11	Puño arranquee		

B**ASEMBLAJE DE SACO****C****ASEMBLAJE PARAPIEDRAS** *(si aún no ha sido ensamblado)***D****ASEMBLAJE PARTE INFERIOR DEL MANGO****E****ASEMBLAJE PARTE SUPERIOR DEL MANGO****F****MONTAJE DE LAS RUEDAS** *(si aún no ha sido ensamblado)***G****REGULACION DEL MANGO** *(solamente para las versiones con este equipo)***H****MONTAJE RECOGEDOR DE HIERBA** *(solamente para las versiones con este equipo)*

Para efectuar el corte de la hierba con el sistema mulching (sin la recogida de la hierba) levanten la compuerta e introduzcan el tapón fijándolo con el muelle como indicado en la figura.

I**REGULACION DE LA ALTURA DE CORTE****J****PRE-INSTALACION PARA PROTECCIONES**

- Trabaje siempre con el recogedor o el deflector de hierba montados.
- Para montar y desmontar el recogedor y regular la altura de corte, para el motor.
- Tenga mucho cuidado de no meter las manos o los pies debajo de la carcasa o en la boca de expulsión del cortacésped con el motor funcionando, podría cortarle

Antes de empezar a cortar la hierba, quite todos los objetos que haya en la misma. Mientras corta, tenga cuidado por si todavía queda algún objeto extraño en el césped. Al arrancar o hacer funcionar el motor, el operario no debe levantar el cortacésped, pero, si es preciso, puede inclinarlo de forma que la cuchilla quede orientada hacia el lado opuesto del operario.

Cuando el motor está en marcha, nunca ponga las manos o los pies bajo el borde del chasis ni tampoco dentro del canal de expulsión.

K FUNCIONAMIENTO

PREPARACION DEL MOTOR (Fig.KI)

Para preparar el motor, siga las instrucciones del manual de mantenimiento del motor, publicado por el fabricante del mismo.



ATENCIÓN: Antes del uso, añadan aceite al motor (0.6l).

ARRANQUE DEL MOTOR (Fig.KII)

Una vez efectuadas las operaciones de puesta a punto arrancar el motor de la forma siguiente:

a) Para motores con sistema choke:

en caso de motor frío, colocar la palanca del acelerador (Fig.KIII - 13) en la posición START

b) Accionar la manilla del freno (14) para poder arrancar el motor, tener la palanca presionada contra la manija en la fase de arranque y durante el empleo de la máquina (hace funcionar el freno del motor).

c) Para motor con sistema primer:

apretar 3 o 4 veces la bomba de enriquecimiento (21) situada en el carburador; colocar la palanca del mismo (13) en la posición MAX.

Para más aclaraciones, se aconseja consultar el libro de instrucciones del motor.d)Avviare il motore:

d) Arrancar el motor:

ARRANQUE MANUAL: (Teniendo la palanca de stop del motor (14)).

- empuñar la manilla de arranque (11) y tirar del cable sin esfuerzo hasta notar la resistencia provocada por la compresión, soltar la manilla y luego dar un tirón energético

ARRANQUE ELÉCTRICO: (Teniendo la palanca de stop del motor (14)).

- conectar le espina (G) en lo zócalo (h) del motor. Quitar la llave de contacto (17).



ATENCIÓN: la cuchilla comienza a girar cuando se pone en marcha el motor.

Mantener apretada la manilla (14) durante el funcionamiento, al soltarla el motor se parará

CORTE (Fig.KIII - KIV)

Para cortar la hierba empujar manualmente la máquina e accionar el avance automático.

Accionamiento del avance automático: levantar la manilla del embrague (18) y mantenerla apretada.



ATENCIÓN: accionar sólo con el motor en marcha

Desaccionamiento del avance automático: soltar la manilla del embrague

VERSION BBC BLADE BRAKE CLUTCH (Fig.Kv)

Con el motor en función, para acoplar la cuchilla es necesario tirar la manija (14) hacia el mango y tenerla presionada; empujar hacia adelante la palanca de acoplamiento de cuchilla (19), luego de lo cual la cuchilla comienza a girar.



ATENCIÓN! Cuando se libera la manija (14) la cuchilla se detiene, mientras que al motor sigue funcionando.

CORTE

Para cortar la hierba empujar manualmente la máquina e accionar el avance automático.

Accionamiento del avance automático: levantar la manilla del embrague (18) y mantenerla apretada.



ATENCIÓN: accionar sólo con el motor en marcha

Desaccionamiento del avance automático: soltar la manilla del embrague

L

REGULACIONE DE LA CORREA DE TRACCION (versión propulsada)

Importante: si apretando la manilla del embrague no se acciona el avance, habrá que regular el cable del embrague introduciendo el muelle (P) en uno de los orificios siguientes de la chapa (R) o en el orificio "S"

M

MANTENIMIENTO



Atención! Apagar el motor y extraer la bujía antes de efectuar cualquier manutención

- En los motores de gasolina 4 tiempos, controlar regularmente el nivel del aceite. Añadirle o cambiar el aceite si es necesario. Para otras intervenciones ver el manual de instrucciones del motor.
- Controlar periódicamente todas las tuerca y tornillos.
- Después de cada corte de la hierba, limpiar siempre la máquina por encima y por debajo. Quitar toda la hierba que pueda quedar pegada debajo del chasis.
- Atención con el tubo de escape porque...quema.
- Controlar frecuentemente la cuchilla para verificar eventuales daños.

- Es muy recomendable que al final de cada campaña de corte se haga revisar el cortacesped por una estación de servicio autorizada.
- Limpieza de la parte inferior de la carrocería
Con la máquina detenida y apagada.
 - Conectar la unión (22) sobre la carrocería al grifo de alimentación del agua. Abrir el grifo.
 - Poner el motor en marcha (cuchilla en rotación) dejándolo funcionar durante algunos minutos.
 - Una vez efectuada la limpieza: apagar el motor, cerrar el grifo, separar el tubo de la unión carrocería.

N CUCHILLA

- Para desmontar la cuchilla (23) destornillar el tornillo (24).
- Compruebe el estado del portacuchilla (25), la arandela (26), la llave (27) y las otras arandelas (28). Sustituya las piezas dañadas.
- Durante el montaje asegurarse que la llave (27), esté asentada con el filo girando en el sentido de la rotación del motor. Bloquear el tornillo cuchilla (24) con un momento de 5,34 Kpm (52,4 Nm).

O KIT ARRANQUE ELECTRICO

- Antes de efectuar el primer arranque conviene cargar la batería durante 2 ó 3 horas.
- Si durante el arranque la batería da señales de insuficiencia, cargarla durante 24 horas.
- No insistir en cada arranque más de 5 segundos.

MANUTENCIÓN DE LA BATERÍA



ATENCIÓN

Para efectuar una correcta mantenimiento de la batería (31), especialmente para largos períodos de inactividad y para la recarga, no es necesario extraerla de su estuche, sino que hay que proceder en el modo siguiente:

- 1) Extraer el contacto (32)
- 2) Guardar la batería en un ambiente seco y fresco
- 3) Recargar la batería antes del uso a temperatura ambiente durante 24-36 horas
- 4) Restablecer el contacto (32) antes del empleo.

GARANTÍA Y POLÍTICA DE GARANTÍA

Si se encuentra alguna pieza defectuosa debido a una fabricación incorrecta dentro del período de garantía, Husqvarna Outdoor Products, a través de sus Reparadores de Servicio Autorizados, efectuarán la reparación o la sustitución gratuitamente para el cliente, con tal de que:-

- a) Se informe el fallo directamente al Reparador Autorizado.
 - b) Se provea prueba de compra.
 - c) El fallo no es el resultado de maltrato, descuido o mal ajuste por el usuario.
 - d) El fallo no haya ocurrido por uso y desgaste normal.
 - e) La máquina no haya tenido reparaciones o servicio, desmantelaje o interferencia por personas sin la autorización de Husqvarna Outdoor Products.
 - f) La máquina no haya tenido uso de alquiler.
 - g) La máquina es la propiedad del comprador original.
 - h) La máquina no haya tenido uso comercial.
- Esta garantía es adicional a, y de ninguna manera disminuye, los derechos legales del cliente.

Fallos debidas a lo siguiente no están cubiertas, por lo tanto es importante que usted lea las instrucciones contenidas en este Manual del Operario y comprenda como se opera y mantiene su máquina:
Fallos no cubiertas por la garantía

VERSION BBC BLADE BRAKE CLUTCH

- Para extraer la cuchilla (29) hay que destornillar los dos tornillos (30).
- Verificar la condición de la cuchilla y sustituir todas las piezas que resulten dañadas; volver a ensamblar utilizando dos tornillos (30) que hay que apretar a 5,34 Kgm (52,4Nm).

ELIMINACIÓN DE LA BATERÍA



Las baterías marcadas con el símbolo "contenedor basura cancelado" y con la indicación del símbolo químico Pb (=batería con plomo) no deben tirarse con la basura casera



El usuario está obligado por la ley a entregar las baterías usadas a los apropiados puntos de recolección o a los revendedores

- Recambio de hojas gastadas o dañadas.
- Fallos que resulten de no haber informado un fallo inicial.
- Fallos que resulten de impactos repentinos.
- Fallos que resulten del uso impropio del producto y no de acuerdo a las instrucciones y recomendaciones contenidas en este Manual del Operario.
- Máquinas que se usen para alquiler no están cubiertas por esta garantía.
- Los artículos que se enumeran a continuación se consideran partes de desgaste y su vida depende del mantenimiento regular y no son por lo tanto materia válida para reclamos de garantía: Hojas, Cable de Suministro Eléctrico, Cinturón
- **Atención!**
Husqvarna Outdoor Products no acepta responsabilidad bajo la garantía por defectos causados total o parcial, directa o indirectamente por el montaje drepuestos o partes adicionales que no sean de manufactura aprobada por Husqvarna Outdoor Products, o si la máquina ha sido modificada en cualquier forma.

EC DECLARACIÓN DE CONFORMIDAD

El abajo firmante Bengt Ahlund, Husqvarna Outdoor Products Italia Spa, Via Como 72, 23868 Valmadrera (LC). Certifica que el cortacésped:-

Categoría.....de gasolina rotativo sobre ruedas

Marca.....Husqvarna Outdoor Products

Está conforme con las especificaciones de la Directiva 2000/14/EEC

Tipo.....A

Versión.....B

Anchura de corte.....C

Nivel de potencia sonora garantizado.....D

Nivel de potencia sonora medido.....E

Nivel the potencia acustica..... F

Vibración de mango.....G

Tipo de dispositivo de corte.....Cuchilla rotativa

Identificación de la serie.....Ver Etiqueta de Identificación Del Producto

Procedimiento de evaluación de conformidad.....ANNEX VI

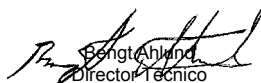
Organismo notificado.....Nr. 0470 - NEMKO AS

Gaustadalleen 30 - PO Box 73 Blindern

0314 OSLO - Norway

Otras directivas98/37/EC, 93/68/EEC, 2002/88/EC, 2004/108/EC

y con las normativasEN836,EN ISO14982,EN1033,EN ISO 3744,EN ISO11201



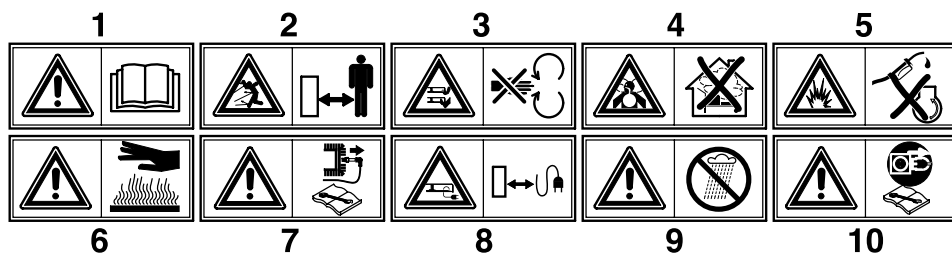
Bengt Ahlund
Director Técnico

Husqvarna Outdoor Product Italia S.p.A.

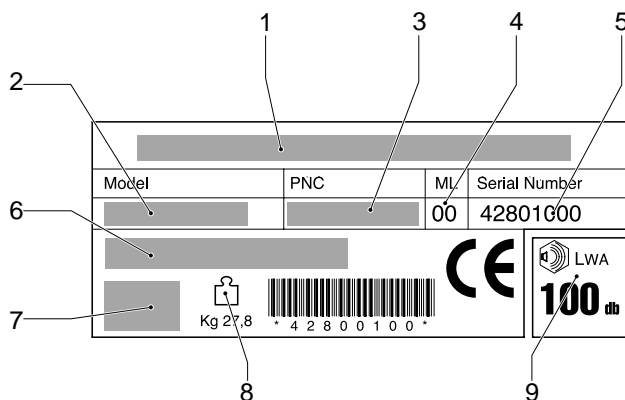
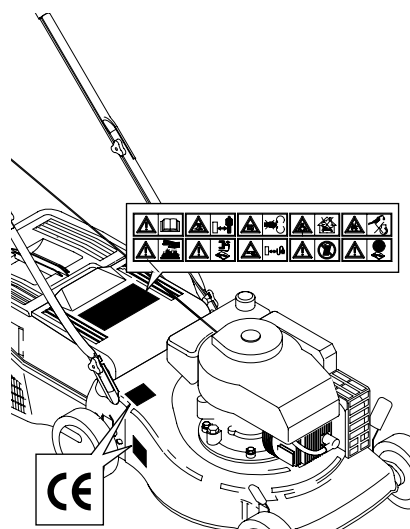
Via Como 72 - 23868 Valmadrera (LC)

3/08/2006

Agradecemos a preferência que nos deram, escolhendo a nossa cortadores de relva. Estamos seguros que, com o tempo, podereis apreciar a qualidade dos nossos produtos e ficareis plenamente satisfeitos. Pedimos a leitura atenta deste manual, preparado especialmente para informar da utilização correcta da máquina e das normas de segurança fundamentais



- 1 **Atenção!** Ler o manual de instruções antes do uso.
- 2 Manter pessoas estranhas fora da zona de perigo
- 3 **Atenção,** perigo machucamento mãos e pés.
- 4 **Peligro de aspiración de gases tóxicos!** No utilizar el aparato en ambientes cerrados o poco ventilados.
- 5 **Perigo de explosão!** Não juntar o carburante com o motor em função
- 6 **Atenção!** Superfície quente
- 7 **Atenção!** Desligar o motor e a vela antes de qualquer manutenção
- 8 Manter o cabo de alimentação longe de objetos cortantes
- 9 **Atenção!** Proteger contra a chuva e a humidade.
- 10 Afastar o cabo de alimentação da parte de corte.



- 1 Fabricante
- 2 Modelo
- 3 Codigo de produto
- 4 Indice de alterações
- 5 Numero de série
- 6 Tipo
- 7 Características do motor
- 8 Peso
- 9 Nível de Intensidade de Som

NORMAS DE SEGURANÇA

Treinamento para operar com segurança para pedestres –Cortador de grama giratório manobrado

IMPORTANTE: *Esta máquina de corte é capaz de amputar mãos e pés e lançar objetos. A falta de observação das instruções de segurança a seguir pode causar ferimentos sérios ou morte.*

I. Treinamento

- Leia as instruções com atenção. Familiarize-se com os controles e o uso apropriado do equipamento.
- Nunca devem ser deixadas crianças ou pessoas que não conhecem as instruções usar o cortador de grama. As normas locais podem impor um limite para a idade do operador.
- Nunca corte quando pessoas, sobretudo crianças ou animais, estiverem perto.
- Deve ser lembrado que o operador ou o usuário é responsável por acidentes ou perigos causados a outras pessoas ou sua propriedade.

II. Preparação

- Enquanto estiver cortando, use sempre calçados de segurança e calças compridas. Não opere o equipamento quando estiver descalço ou com sandálias abertas.
- Deve-se inspecionar a área onde o equipamento for usado e remova todos os objetos que podem ser lançados pela máquina.
- **AVISO** - o combustível é altamente inflamável.
 - Armazene o combustível em recipientes apropriados para tal finalidade.
 - Abasteça somente ao ar livre e não fume enquanto estiver abastecendo.
 - Acrescente combustível antes de dar a partida no motor. Nunca remova a tampa do tanque de combustível ou acrescente gasolina enquanto o motor estiver funcionando ou quando o motor está quente.
 - Se derramar gasolina não deve ser dada a partida no motor , mas desloque a máquina longe da área de derramamento e evite de criar qualquer fonte de ignição até dissipar os vapores de gasolina.
 - Recoloque todos os tanques de combustível e tampas de recipiente firmemente.
- Substitua os silenciadores com defeito.
- Antes do uso, inspecione sempre visualmente para ver que as lâminas, parafusos das lâminas e o conjunto de corte não estejam danificados. Substitua lâminas estragadas ou gastas e parafusos nos jogos para preservar o contrapeso.
- Em máquinas com multi-lâminas, tome cuidado que virando uma lâmina pode causar a rotação de outras lâminas.

III. Operação

- Não coloque o motor em funcionamento num espaço fechado onde podem se acumular fumos perigosos de monóxido de carbono.
- Corte somente com a luz do dia ou com boa luz artificial.
- Evite de fazer o equipamento funcionar em grama molhada, onde possível.
- Esteja sempre certo de seu piso nos declives.
- Ande, nunca corra.
- Para máquinas giratórias com rodas, corte através da superfície das pendências, nunca para cima e para baixo.
- Tome muito cuidado quando trocar de direção nas pendências.
- Não corte excessivamente em pendências íngremes.

- Tome o máximo cuidado quando inverter ou puxar o cortador de grama na própria direção.
- Trave a lâmina se o cortador de grama tiver que ser inclinado para o transporte quando cruzar superfícies diferentes de grama e quando transportar o cortador de grama para e a área a ser cortada.
- Nunca opere o cortador de grama com proteções defeituosas, ou sem dispositivos de segurança, por exemplo, deflatores e/ou separadores de grama, no lugar.
- Não troque as configurações do ajuste do motor e não acelere demais o motor. Fazendo o motor funcionar com excesso de velocidade pode aumentar o risco de ferimentos às pessoas.
- Desconecte todas as lâminas e a caixa de velocidade antes de dar a partida no motor.
- Dê a partida no motor ou ligue o motor cuidadosamente de acordo com as instruções e com os pés bem longe da lâmina.
- Não incline o cortador de grama quando der a partida no motor ou ligar, exceto se o cortador de grama tiver que ser inclinado para partir. Nesse caso, não incline mais do que o absolutamente necessário e levante somente a parte que está longe do operador.
- Não dê a partida no motor quando estiver na frente da rampa de descarga.
- Não coloque mãos ou pés próximo ou embaixo de partes rotativas. Mantenha sempre livres as aberturas de descarga.
- Nunca pegue ou transporte o cortador de grama enquanto o motor estiver funcionando.
- Pare o motor e desligue o fi o da vela de ignição:
 - antes de limpar as obstruções ou liberar a rampa;
 - antes de controlar, limpar ou trabalhar no cortador de grama;
 - depois de ter batido num objeto estranho. Inspecione os danos no cortador de grama e faça as reparações antes de reiniciar e funcionar o cortador de grama;
 - se o cortador de grama inicia a vibrar irregularmente (controle imediatamente).
- Pare o motor:
 - sempre quando deixar o cortador de grama;
 - antes de reabastecer.
- Reduza a regulação do afogador enquanto o motor estiver parado e, se o motor tiver a válvula de interrupção, desligue o combustível quando terminar de cortar.
- Ande devagar quando usar um assento posterior.

IV. Manutenção e Armazenamento

- Mantenha todas as porcas e parafusos apertados para estar seguro que o equipamento possa trabalhar em condição de segurança.
- O equipamento nunca deve ser armazenado com gasolina dentro do tanque no interior de um edifício onde os fumos possam alcançar uma chama aberta ou faísca.
- Deixe o motor arrefecer antes de armazenar em lugar fechado.
- Para reduzir o perigo de fogo, mantenha o motor, silenciador, compartimento de bateria e área de armazenamento de gasolina, livre de grama, folhas ou grama excessiva.
- Controle com frequência o coletor de grama quanto a desgaste e deterioração.
- Por segurança substitua peças gastas ou danificadas.
- Se o tanque de combustível tiver que ser descarregado, isto deve ser feito ao ar livre.

A DESCRIÇÃO

1	Guiador superior	12	Deflector
2	Guiador inferior	13	Manete do gás
3	Parafuso, porca de aperto guiador	14	Alavanca de segurança
4	Colecta relve	15	Grupo reductor
5	Bojão do óleo	16	Placa do guiador
6	Bojão de esvaziamento do óleo	17	Chave de ignição
7	Chassis	18	Punho de embraiagem
8	Alavanca da regulação da altura	19	Alavanca
9	Vela	20	Alavanca velocidade avançamento
10	Bojão do depósito da gasolina	21	Bomba de enriquecimento
11	Arrancador		

B MONTAGEM DO SACO/CESTO COLECTA RELVA

C MONTAGEM DA PARATURA *(se não é montado)*

D MONTAGEM DO MANIPULO INFERIOR

E MONTAGEM DO MANIPULO SUPERIOR

F MONTAGEM DAS RODAS *(se não é montado)*

G REGULAÇÃO DO MANIPULO *(somente para os modelos em que esteja previsto)*

H INTRODUÇÃO DA TAMPA MULCHING *(somente para os modelos em que esteja previsto)*

Para efetuar o corte da grama com o sistema mulching (sem recolher a grama) levantar o aparador e inserir a tampa, fixando-a com a mola, como indicado na figura

I REGULAÇÃO DA ALTURA DO CORTE

J PREPARATIVO DE PROTECÇÕES



- Trabalhar sempre com o saco para relva ou o deflector instalados
- Parar o motor antes de retirar o saco ou regular a altura
- Quando o motor está a trabalhar não meter as mãos ou pés debaixo do carter ou do túnel de ejeção

Antes de iniciar o trabalho, retirar do terreno todos os corpos estranhos. O utilizador é responsável pelas ocorrências na zona de trabalho.

Ao fazer arrancar o motor não deve alavancantar o cortador de relva, mas, se necessário, somente incliná-lo de modo a que a lamina fique do lado oposto ao utilizador

Quando o motor está a trabalhar não deve colocar a mão ou a ponta do pé debaixo do carter ou na saída relva.

K FUNCIONAMENTO

PREPARAÇÃO DO MOTOR (Fig.KI)

Para isso deve consultar o Livro de Instruções do motor.



ATENÇÃO: Antes do uso juntar óleo no motor (0.6l)

ARRANQUE DO MOTOR (Fig.KII)

Efectuadas as operações preliminares de preparar o motor para o arranque, procede-se do seguinte modo:

a) Motores com sistema CHOKE:

em caso do motor frio, colocar a alavanca (Fig.KIII - 13) na posição START.

b) Accionar o manípulo do travão (14) para permitir o arranque, manter a alavanca pressionada contra a manopula na fase de accionamento e durante o utilizo da maquina (acionar o freio do motor).

c) Motores com sistema PRIMER:

premir 3 ou 4 vezes a bomba de enriquecimento (21) situada no carburador; colocar a alavanca (13) na posição MAX.

Para mais esclarecimentos, consultar o Livro de Instruções do motor.

c) Arrancar o motor:

ARRANQUE MANUAL (Segurar a alavanca de stop do motor (14)).

● Pegar o manípulo do arranque (11), puxar o cabo sem esforço até encontrar a resistência provocada pela compressão, soltar o manípulo e, de seguida, dar um puxão enérgico

ARRANQUE ELÉCTRICO (Segurar a alavanca de stop do motor (14)).

● Ligar o cabo (G) na ligação (H) do motor. Rodar a chave de ignição (17).



ATENÇÃO: a lamina começa a girar, logo que o motor funciona;

Conservar premido o manípulo (14) durante o funcionamento; soltando-o o motor pára

CORTE (Fig.KIII - KIV)

Para efectuar o corte da relva empurrar manualmente a máquina ou accionar o avanço automático.

Accionamento do avanço automático: premir o manípulo de embraiagem (18) e conservá-lo apertado



ATENÇÃO: accionar só com o motor a trabalhar.

Desaccionamento do avanço automático: soltar o manípulo de embraiagem.

VERSÃO COM TRAVÃO À LÂMINA (Fig.KV)

Para inserir a lâmina, com o motor a funcionar, é necessário poxar a manilha (14) em direção ao cabo e mantê-la pressionada; empurrar para frente a alavanca devida para a colocação da lâmina (19), neste momento a lâmina entrará em rotação.



ATENÇÃO! Deixando de pressionar a manilha (14), a lâmina para a sua rotação, enquanto o motor continua a funcionar.

CORTE

Para efectuar o corte da relva empurrar manualmente a máquina ou accionar o avanço automático.

Accionamento do avanço automático: premir o manípulo de embraiagem (18) e conservá-lo apertado



ATENÇÃO: accionar só com o motor a trabalhar.

Desaccionamento do avanço automático: soltar o manípulo de embraiagem.

L

REGULAÇÃO DO CABO DE EMBRAIAGEM (somente para versões com tracção)

Importante: se, premindo o manípulo da embraiagem, a máquina não avança, terá que se regular o cabo da embraiagem introduzindo a mola (P) num dos orificios seguintes da palca (R).

M

MANUTENÇÃO



Atenção! Desligar o motor e a vela antes de qualquer manutenção

- Nos motores a 4 tempos, verificar regularmente o nível do óleo, atestar ou mudar, se necessário. Ler com atenção as instruções de assistência do motor.
- Verificar sempre parafusos e porcas. Depois de cada corte de relva, limpar sempre a máquina por cima e por baixo, retirando toda a erva colada ao chassi.
- Lubrificar periodicamente os eixos das rodas
- Controlar de frequente a lamina para verificar eventuais danos.
- Fazer o controle do vosso cortador por oficina apropriada.

- Limpeza armação
Com máquina parada e desligada.
 - Ligar a conexão (22) sobre a armação à torneira alimentação água.Abrir a torneira.
 - Accionar o motor (lamina em rotação) deixando-o funcionar por alguns minutos.
 - Terminada a limpeza: desligar o motor, fechar a torneira, tirar a cana da conexão.

N LAMINA

- Para desmontar a lamina (23) desapertar o parafuso (24).
- Verificar o estado do suporte da lamina (25), a anilha de fricção (26), a chaveta (27) e as outras anilhas (28), substituindo-as, se danificadas.
- Durante a montagem assegurar-se que a chaveta (27) está bem colocada sobre o veio do motor e que a parte de corte da lamina gira no sentido de rotação do motor. O parafuso da lamina (24) deve estar bloqueado..

O KIT ARRANQUE ELÉCTRICO

- Antes de efectuar o primeiro arranque convém ter a bateria à carga 2 ou 3 horas.
- Se durante o arranque a bateria dá sinais de falta de carga, colocá-la à carga durante 24 horas

MANUTENÇÃO BATERIA

ATENÇÃO

Para uma correta manutenção da bateria (31), particularmente para períodos de longa inatividade, e para a recarga não é necessário tirá-la da proteção, mas operar assim:

- 1) Tirar o contato (32)
- 2) Guardar a bateria num lugar seco e fresco
- 3) Recargar a bateria antes do uso a temperatura ambiente por 24-36 horas.
- 4) Repristinar o contato (32) antes do utilizo.

GARANTIA E POLÍTICA DE GARANTIA

No caso de verificar que uma peça está defeituosa por defeito de fabrico durante o período de garantia, a Husqvarna Outdoor Products efectuará a sua reparação ou substituição através dos seus Representantes de Assistência Técnica Autorizados, sem quaisquer encargos para o cliente, desde que:-

- a) O Centro de Serviços Autorizado seja informado directamente.
- b) Seja apresentada prova de compra.
- c) A avaria não seja devido a uso impróprio, negligência ou tentativa de reparação pelo utente.
- d) A avaria não tenha ocorrido durante a utilização normal.
- e) A máquina não tenha sido reparada, desmontada ou forçada por uma pessoa não autorizada pela Husqvarna Outdoor Products.
- f) A máquina não tenha sido alugada.
- g) A máquina pertença à pessoa que a comprou.
- h) A máquina não tenha sido usada para comércio.

- Esta garantia é adicional e não diminui os direitos estatutários do cliente.

As avarias devido aos motivos seguintes não são cobertas pela garantia, por isso é importante que leia as instruções

VERSÃO COM TRAVÃO À LÂMINA

- Para tirar a lamina (29) desapertar os dois parafusos (30).
- Verificar a condição da lamina e substituir todas as partes que forem estragadas, remontar utilizando dois parafusos (30) que devem ser apertados a 5,34 Kgm (52,4Nm).

ELIMINAÇÃO BATERIA



As baterias indicadas com o símbolo “contai-ner lixo cancelado” e com o símbolo químico Pb (=bateria com chumbo) não devem ser jogadas no lixo



O usuário, por lei, deve entregar as baterias usadas nos pontos de coleta ou aos revendedores.i

neste Manual e compreenda como usar e manter a máquina em boas condições:

Avarias que a garantia não cobre

- Substituição de lâminas gastas ou danificadas.
- Avarias resultantes da não comunicação de uma avaria prévia.
- Avarias resultantes de um embate brusco.
- Avarias resultantes do uso indevido do produto, contrário às instruções e recomendações deste Manual.
- Máquinas para alugar não estão cobertas por esta garantia.
- Os seguintes artigos são peças que necessitam substituição, a sua duração depende de manutenção regular, por isso normalmente não são cobertas pela garantia: lâminas, cabo eléctrico de alimentação, correia

● Cuidado!

A Husqvarna Outdoor Products não toma responsabilidade nem por avarias causadas totalmente ou em parte, directa ou indirectamente pela reparação ou substituição de peças ou peças adicionais que não são manufacturadas ou aprovadas pela Husqvarna Outdoor Products, nem quando a máquina foi modificada.

EC DECLARAÇÃO DE CONFORMIDADE

Eu, abaixo assinado, Bengt Ahlund, Husqvarna Outdoor Products Italia Spa, Via Como 72, 23868 Valmadrera (LC).
Certifico que a Máquina de Cortar Relva:-

CategoriaA Gasolina, Rotativa, com Rodas

MarcaHusqvarna Outdoor Products

Está em conformidade com a Directiva 2000/14/CEE

TipoA

VersãoB

Largura de CorteC

Nível de Intensidade de Som GarantidoD

Nível de Intensidade de Som MedidoE

Nível de ruídoF

Vibração do guiadorG

Tipo de Dispositivo de CorteLâmina Rotativa

Identificação da sérieConsulte a Etiqueta de Especificações do Produto

Procedimento de Avaliação de ConformidadeANNEX VI

Órgão NotificadoNr. 0470 - NEMKO AS

Gaustadalleen 30 - PO Box 73 Blindern

0314 OSLO - Norway

Outras Directivas98/37/EC, 93/68/EEC, 2002/88/EC, 2004/108/EC

e com as normasEN836,EN ISO14982,EN1033,EN ISO 3744,EN ISO11201



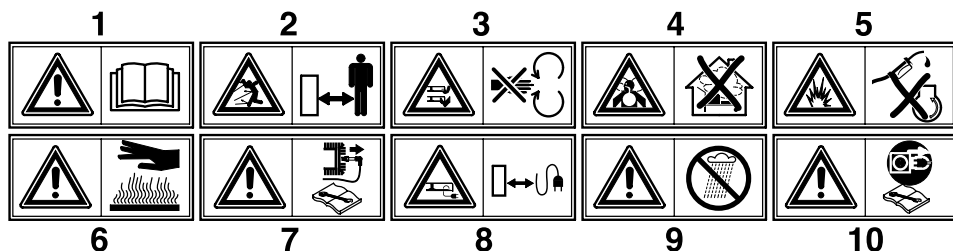
Bengt Ahlund
Director técnico

Husqvarna Outdoor Product Italia S.p.A.

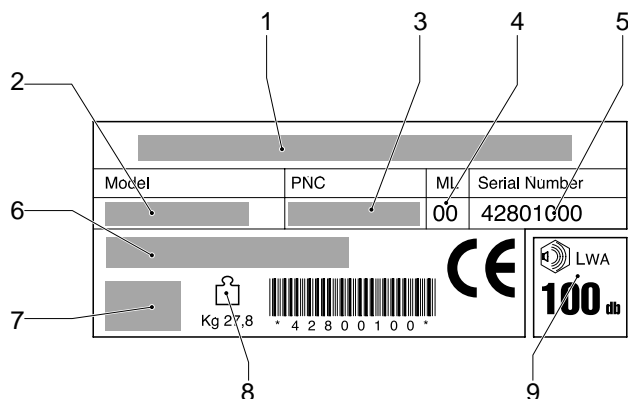
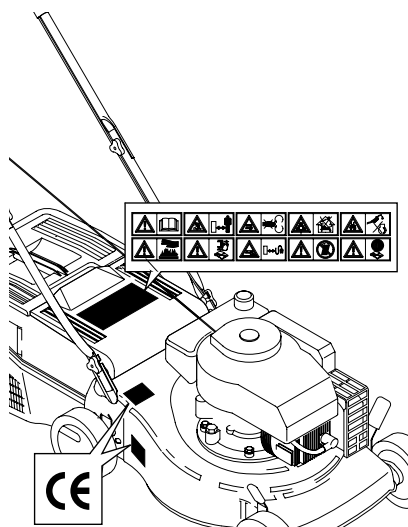
Via Como 72 - 23868 Valmadrera (LC)

3/08/2006

La ringraziamo per la fiducia accordataci con l'acquisto della nostra rasaerba. Siamo certi che avrà modo di apprezzare nel tempo e con soddisfazione la qualità del nostro prodotto. La preghiamo di leggere attentamente questo manuale predisposto appositamente per informarla circa il suo uso corretto in conformità ai requisiti essenziali di sicurezza.



- 1 **Attenzione!** Leggere il manuale di istruzioni prima dell'uso
- 2 Tenere le persone estranee fuori dalla zona di pericolo!
- 3 **Attenzione:** pericolo ferimento mani e piedi.
- 4 **Pericolo di aspirazione di gas tossici!** Non utilizzare l'apparecchio in ambienti chiusi o poco ventilati.
- 5 **Pericolo di esplosione!** Non effettuare rabbocchi di carburante con motore in moto.
- 6 **Attenzione!** Superficie calda.
- 7 **Attenzione!** Spegner il motore e staccare la candela prima di effettuare qualunque manutenzione.
- 8 Tenere il cavo di alimentazione lontano dall'utensile tagliente.
- 9 **Attenzione!** Proteggere dalla pioggia e dall'umidità.
- 10 Prima di qualsiasi intervento sull'utensile tagliente togliere la spina di alimentazione



- 1 Costruttore
- 2 Modello
- 3 Codice prodotto
- 4 Indice di modifica
- 5 Numero di serie
- 6 Tipo
- 7 Caratteristiche motore
- 8 Peso
- 9 Livello sonoro

NORME DI SICUREZZA

Misure operative di sicurezza per tosaerba controllate da pedoni

ATTENZIONE: *Questo trattorino tosaerba ha una potenza sufficiente ad amputare mani e piedi e a scagliare oggetti. La mancata osservanza delle seguenti istruzioni antinfortunistiche potrebbe causare lesioni gravi e persino il decesso della vittima*

I. Addestramento all'uso

- Studiare attentamente le istruzioni. Acquisire dimestichezza con i comandi e conoscere a fondo l'uso corretto dell'equipaggiamento.
- Non consentire mai l'uso dei trattorini tosaerba ai bambini né agli adulti che non abbiano dimestichezza con le istruzioni sull'uso. Le norme locali possono stabilire l'età minima per operare i trattorini tosaerba.
- Non operare mai con i tosaerba in caso vi siano persone, specialmente bambini, o animali domestici nella zona di lavoro.
- Tenere presente che in caso di incidenti, rischi o pericoli provocati a persone o a beni, la responsabilità dell'operato ricade sull'operatore, od utilizzatore.

II. Preparazione

- Indossare sempre scarpe robuste da lavoro e pantaloni lunghi. Non usare i tosaerba a piedi nudi o indossando soltanto sandali.
- Controllare scrupolosamente l'area in cui verrà utilizzato l'equipaggiamento e togliere tutti gli oggetti che potrebbero venire scagliati dal macchinario.
- **ATTENZIONE** - La benzina è infiammabilissima.
 - Conservare il carburante in contenitori appositi.
 - Fare rifornimento soltanto all'aperto. E' vietato fumare durante il rifornimento.
 - Fare rifornimento prima di avviare il motore. Non svitare mai il tappo del serbatoio, né fare rifornimento con il motore acceso o caldo.
 - In caso di fuoriuscita di benzina, non mettere in moto il motore. Spostare l'equipaggiamento dall'area in cui si è verificata la fuoriuscita del carburante ed evitare di provocare qualsiasi tipo di accensione fino a quando i vapori non si siano dissipati.
 - Reinserrire e serrare bene il tappo del serbatoio e del contenitore.
- Sostituire le marmitte che non funzionino bene.
- Prima di iniziare il lavoro ispezionare visualmente le lame, i bulloni delle lame e il gruppo falciante per verificare che non vi siano tracce di usura o danneggiamenti. In caso di lame e bulloni danneggiati od usurati, installare un nuovo set completo in modo che il macchinario rimanga bilanciato.
- In caso di trattorini tosaerba a lame multiple prestare la massima attenzione in quanto ruotando una lama si può provocare la rotazione delle altre.

III. Funzionamento

- Non accendere il motore in spazi ristretti dove vi si possa accumulare ossido di carbonio, un gas inodore ma letale.
- Usare i tosaerba soltanto con la luce del giorno oppure in presenza di buona luce artificiale.
- Se possibile, evitare di utilizzare l'apparecchio sull'erba bagnata.
- Stare sempre bene in equilibrio nei tratti scoscesi.
- Camminare sempre, non correre mai.
- Per macchine rotanti a ruote, nei tratti scoscesi, falciare l'erba seguendo la costa del pendio, non salendo e scendendo.
- Prestare estrema attenzione al cambio di direzione su un tratto scosceso.
- Non falciare tratti eccessivamente ripidi.

- Prestare estrema attenzione girando o tirando la macchina verso di sé.
 - Fermare le lame nel caso in cui la macchina debba essere trasportata su superfici non erbose, oppure verso la zona da falciare.
 - Non utilizzare mai la macchina con protezioni difettose, oppure in assenza di dispositivi di sicurezza, ad esempio, deflettori e/o separatori di erba.
 - Non modificare le impostazioni del regolatore del motore né far operare il motore a velocità eccessive. Le velocità eccessive possono aumentare il pericolo di infortuni.
 - Disinnestare tutte le lame e le frizioni prima di avviare il motore.
 - Avviare o accendere il motore ponendo molta attenzione, attenendosi alle istruzioni e con i piedi ben lontani dalla lame.
 - Non inclinare mai la macchina avviando o accendendo il motore, con la sola eccezione dei casi in cui questo sia assolutamente necessario. In questo caso, comunque non inclinarla mai oltre quanto sia strettamente necessario e sollevare solamente la parte distante dall'operatore.
 - Non avviare il motore stando davanti al tubo di scarico.
 - Non avvicinare mani o piedi alle parti rotanti. Mantenersi a distanza dal tubo di scarico, sempre aperto.
 - Non rimorchiare o trasportare mai la macchina con il motore in funzione.
 - Arrestare il motore e staccare il cavo della candela:
 - prima di pulire eventuali intasamenti e prima di stasare lo scivolo;
 - prima di interventi o controlli sul tosaerba e prima delle operazioni di pulizia;
 - dopo aver colpito un oggetto estraneo. Controllare che il tosaerba non sia stato danneggiato ed effettuare le riparazioni del caso prima di riavviare e mettere in funzione l'equipaggiamento;
 - se il tosaerba, o trattorino, vibra in modo anomalo (in qual caso eseguire immediatamente dei controlli).
 - Arrestare il motore:
 - ovunque sia stata lasciata la macchina;
 - prima di fare carburante.
 - Ridurre la velocità, con la leva dell'acceleratore, per rallentare il motore prima dello spegnimento. Se il motore è provvisto di valvola di arresto, chiudere l'alimentazione del carburante alla fine del lavoro.
 - Guidare lentamente qualora si utilizzi il sedile posteriore.
- #### IV. Manutenzione e Periodi di Inattività
- Verificare che tutti i dadi, i bulloni e le viti siano sempre ben stretti per assicurare che l'equipaggiamento sia in buone condizioni operative.
 - Non lasciare mai l'equipaggiamento, con benzina nel serbatoio, in locali chiusi dove i vapori possano raggiungere fiamme libere o scintille.
 - Lasciare raffreddare il motore prima di riporre i tosaerba, o trattorini, in qualsiasi spazio stretto e chiuso.
 - Per ridurre i pericoli d'incendio assicurarsi che il motore, la marmitta, il vano batteria e la zona di stoccaggio benzina siano liberi da erba, foglie o quantità eccessive di grasso.
 - Controllare spesso il raccoglitore dell'erba tagliata per individuare eventuali segni di usura o di danneggiamento.
 - Per maggiore sicurezza, sostituire le parti usurate o danneggiate.
 - Il serbatoio del carburante va vuotato all'aperto, qualora necessario.

A**NOMENCLATURA**

1	Manico superiore	12	Paratoia posteriore
2	Manico inferiore	13	Leva acceleratore
3	Vite, dado fissaggio manico superiore	14	Leva di sicurezza
4	Raccoglierba	15	Gruppo riduttore
5	Tappo carico olio	16	Mascherina manico
6	Tappo scarico olio	17	Chiave avviamento elettrico
7	Scocca	18	Maniglia frizione
8	Leve regolazione altezza taglio	19	Leva innesto lama
9	Candela	20	Leva velocità avanzamento
10	Tappo serbatoio benzina	21	Pompetta arricchimento
11	Maniglia avviamento motore		

B**MONTAGGIO SACCO/CESTELLO RACCOGLIERBA****C****MONTAGGIO PARATOIA** *(se non già assemblato)***D****MONTAGGIO MANICO INFERIORE****E****MONTAGGIO MANICO SUPERIORE****F****MONTAGGIO RUOTE** *(se non già assemblato)***G****REGOLAZIONE MANICO** *(solo per i modelli in cui è previsto)***H****INSERIMENTO TAPPO MULCHING** *(solo per i modelli in cui è previsto)*

Per effettuare il taglio dell'erba con sistema mulching (senza la raccolta dell'erba) alzare la paratoia ed inserire il tappo fissandolo con la molla come indicato in figura.

I**REGOLAZIONE ALTEZZA TAGLIO****J****PREDISPOSIZIONE PROTEZIONI**

- Operare sempre con il raccoglierba o il deflettore montati.
- Spegnerne il motore per la rimozione del raccoglierba e per la regolazione altezza taglio
- A motore funzionante evitare assolutamente di mettere le mani o piedi sotto il bordo della carcassa o nell'apertura di espulsione

Prima di iniziare il taglio del prato, bisogna togliere eventuali corpi estranei dallo stesso.

Durante il lavoro bisogna fare attenzione ad eventuali corpi estranei, rimasti sul prato. L'utilizzatore è responsabile verso terzi nella zona di lavoro.

Durante la messa in moto o l'avviamento del motore, l'operatore non deve alzare la rasaerba, però, se necessario,

solo inclinarla, in modo che la lama sia rivolta verso il lato opposto all'operatore.

Quando il motore è in movimento, bisogna assolutamente evitare di avvicinarsi con la mano o le punte dei piedi, sotto il bordo della carcassa o nell'apertura di espulsione della stessa

K FUNZIONAMENTO

PREDISPOSIZIONE MOTORE (Fig.KI)

Per la preparazione del motore, occorre consultare il libretto istruzioni motore della casa costruttrice dello stesso.



ATTENZIONE: *Prima dell'uso aggiungere olio al motore (0.6 l).*

AVVIAMENTO MOTORE (Fig.KII)

Effettuate le operazioni di messa a punto, si procede all'avviamento del motore nel seguente modo:

- Per motori con sistema "choke":
in caso di motore freddo, posizionare la leva acceleratore (Fig.KIII - pos.13)) nella posizione START
- Azionare la maniglia freno (14) per permettere l'avviamento del motore, tenere la leva premuta contro la maniglia in fase di avvio e durante l'utilizzo della macchina (funzionamento del freno del motore).
- Per motori con sistema "primer":
premere 3 o 4 volte la pompetta di arricchimento (21) posta sul carburatore; posizionare la leva acceleratore (13) nella posizione MAX.

Per ulteriori chiarimenti si raccomanda la consultazione del libretto di istruzioni del motore stesso.

d)Avviare il motore:

AVVIAMENTO MANUALE (Mantenendo premuta la leva freno motore (14)).

●Impugnare la maniglia dell'avviamento (11) e tirare la fune senza sforzo sino ad avvertire la resistenza provocata dalla compressione, rilasciare la maniglia quindi dare uno strappo energico.

AVVIAMENTO ELETTRICO (Mantenendo premuta la leva freno motore (14)).

●Innestare la spina (G) nella presa (H) sul motore. Girare la chiave di accensione (17) .



ATTENZIONE! *La lama entra in rotazione quando si mette in funzione il motore.*

Mantenere premuta la maniglia (14) durante il funzionamento, al rilascio della stessa il motore si ferma.

TAGLIO (Fig.KIII - KIV)

Per effettuare il taglio dell'erba spingere manualmente la macchina o innestare l'avanzamento automatico.

Innesto avanzamento automatico: alzare la maniglia frizione (18) e tenerla premuta.



ATTENZIONE: *innestare solo a motore funzionante.*

Disinnesto automatico avanzamento: rilasciare la maniglia frizione.

VERSIONE CON FRENO LAMA (Fig.KV)

A motore funzionante, per innestare la lama occorre tirare la maniglia (14) verso il manico e tenerla premuta; spingere in avanti la leva innesto lama (19), a questo punto la lama entra in rotazione.



ATTENZIONE! *Al rilascio della maniglia (14), la lama si fermerà, mentre il motore continuerà a funzionare.*

TAGLIO

Per effettuare il taglio dell'erba spingere manualmente la macchina o innestare l'avanzamento automatico

Innesto avanzamento automatico: alzare la maniglia frizione (18) e tenerla premuta.



ATTENZIONE: *innestare solo a motore funzionante.*

Disinnesto automatico avanzamento: rilasciare la maniglia frizione

L

REGOLAZIONE CAVO FRIZIONE *(solo per versioni semoventi)*

Importante: *se premendo la maniglia frizione l'innesto dell'avanzamento non avviene, occorre effettuare la regolazione del cavo frizione inserendo la molla (P) in uno dei successivi fori della piastrina (R) o nel foro "S".*

M

MANUTENZIONE



Attenzione! *Spegnere il motore e staccare la candela prima di effettuare qualunque manutenzione*

- Per motori a scoppio a 4 tempi verificare regolarmente il livello dell'olio. Aggiungere o cambiare l'olio se necessario. Per ulteriori delucidazioni vedasi il manuale istruzioni del motore.
- Controllare periodicamente il serraggio delle viti e dadi. Dopo il taglio dell'erba pulire sempre la macchina sia sotto che sopra. Evitare che si depositi l'erba sotto lo chassis.
- Non utilizzare getti d'acqua per la pulizia esterna della rasaerba: potrebbe provocare seri danni al sistema di avviamento elettrico.
- Fare attenzione al silenziatore di scarico dei fumi perchè scotta.

- Controllare di frequente la lama per accertare eventuali danni.
- E' buona cosa ogni fine stagione far controllare la rasaerba da una stazione di servizio.
- Pulizia sottoscocca
A macchina ferma e spenta.
 - Collegare il raccordo (22) sulla scocca al rubinetto alimentazione acqua. Aprire il rubinetto.
 - Avviare il motore (lama in rotazione) lasciandola funzionare per alcuni minuti.
 - A pulizia avvenuta: spegnere il motore. Chiudere il rubinetto, staccare il tubo dal raccordo/scocca.

N LAMA

- Per togliere la lama (23) svitare la vite (24)
- Controllare : il supporto lama (25), la rondella frizione (26), la chiavetta (27) e le rondelle (28), se risultassero danneggiati o incrinati sostituirli.
- Durante il montaggio accertarsi che la chiavetta (27) sia nella sede dell'albero motore e che la lama sia montata con il lato tagliente rivolto verso il senso di rotazione del motore. La vite lama (24) va bloccata con coppia di serraggio di 5,34 Kpm (52,4 Nm).

O KIT AVVIAMENTO ELETTRICO

- E' opportuno prima di eseguire il primo avviamento tenere sotto carica la batteria per 2-3 ore. Se durante l'avviamento la batteria da segni di insufficienza, caricarla per 24 ore. Non insistere per ogni avviamento oltre i 5 secondi

MANUTENZIONE BATTERIA



ATTENZIONE

Per una corretta manutenzione della batteria (31), specie per lunghi periodi di inattività, e per la ricarica non è necessario toglierla dalla custodia, ma procedere nel seguente modo:

- 1) Togliere il contatto (32)
- 2) Custodire la batteria in un ambiente secco e fresco
- 3) Ricaricare la batteria prima dell'uso a temperatura ambiente per 24-36 ore
- 4) Ripristinare il contatto (32) prima dell'utilizzo.

GARANZIA E CONDIZIONI DI GARANZIA

Se una qualsiasi parte dovesse guastarsi a causa di una lavorazione scadente nel periodo della garanzia, Husqvarna Outdoor Products, tramite i suoi Centri di riparazione autorizzati, effettuerà gratuitamente la riparazione o la sostituzione, sempre che:

- a) Il guasto sia stato notificato direttamente al centro riparazioni autorizzato.
 - b) Venga presentata la ricevuta d'acquisto.
 - c) Il guasto non sia stato causato da uso improprio, negligenza o regolazioni errate da parte dell'utente.
 - d) Il guasto non sia dovuto al normale logoramento per uso.
 - e) La macchina non sia stata sottoposta a manutenzione né riparata, smontata o manomessa da persone non autorizzate da Husqvarna Outdoor Products.
 - f) La macchina non sia stata noleggiata a terzi.
 - g) La macchina sia di proprietà dell'acquirente originale.
 - h) La macchina non sia stata adibita a uso commerciale.
- Questa garanzia è supplementare ai diritti legali del cliente e non li limita in alcun modo.

Guasti dovuti a una o più delle cause elencate di seguito non sono coperti dalla garanzia, quindi è importante leggere le istruzioni riportate nel Manuale per l'utente nonché capire appieno il funzionamento e le procedure di manutenzione della macchina.

VERSIONE CON FRENO LAMA

- Per togliere la lama (29) svitare le due viti (30)
- Verificare la condizione della lama e sostituire tutte le parti che risultano danneggiate, riassembleare utilizzando due viti (30) che devono essere serrate a 5,34 Kgm (52,4Nm).

SMALTIMENTO BATTERIA



Le batterie contrassegnate con il simbolo "contenitore spazzatura cancellato" e con l'indicazione del simbolo chimico Pb (=batteria con piombo) non vanno gettate nei rifiuti casalinghi.



L'utente è obbligato dalla legge a consegnare batterie usate in appositi punti di raccolta oppure ai rivenditori

Guasti non coperti dalla garanzia.

- Sostituzione di lame logorate o danneggiate.
- Guasti dovuti alla mancata notificazione del guasto originale.
- Guasti dovuti ad impatto improvviso.
- Guasti dovuti alla mancata osservanza delle istruzioni e delle raccomandazioni riportate nel Manuale per l'utente.
- Non sono coperte da garanzia le macchine date a noleggio.
- Le parti elencate di seguito sono considerate come parti di consumo e la loro vita dipende dalla manutenzione regolare ; di conseguenza non sono coperte da garanzia lame, cavi di alimentazione, cinghia.

● ATTENZIONE

Entro i termini della presente garanzia Husqvarna Outdoor Products non accetta responsabilità alcuna per difetti dovuti nella loro totalità o in parte, direttamente o indirettamente, all'uso di parti di ricambio o parti accessorie non prodotte o autorizzate da Husqvarna Outdoor Products oppure a modifiche apportate in un modo qualsiasi alla macchina.

EC DICHIARAZIONE DI CONFORMITA'

Il sottoscritto Bengt Ahlund, della ditta Husqvarna Outdoor Products Italia Spa, Via Como 72, 23868 Valmadrera (LC) dichiara che il tosaerba:

CategoriaRotativo, a benzina, con ruote

Marca.....Husqvarna Outdoor Products

è conforme alla Direttiva 2000/14/EC.

TipoA

VersioneB

Larghezza di taglioC

Livello sonoro garantitoD

Livello sonoro misurato.....E

Livello di pressione acustica.....F

Vibrazioni al manicoG

(vedere ultima pagina del manuale per i riferimenti)

Tipo di lamaRotativa

Identificazione serie.....Vedi Etichetta Dati Prodotto

Procedura di valutazione della conformità.....ANNEX VI

Ente notificato.....Nr. 0470 - NEMKO AS

Gaustadalleen 30 - PO Box 73 Blindern

0314 OSLO - Norway

Altre direttive98/37/EC (Macchine), 93/68/EEC (Marcatura CEE), 2002/88/EC

(emissioni), 2004/108/EC (Compatibilità Elettromagnetica)

normative.....EN836,EN ISO14982,EN1033,EN ISO 3744,EN ISO11201

98/37/EC, 93/68/EEC, 2002/88/EC, 2004/108/EC



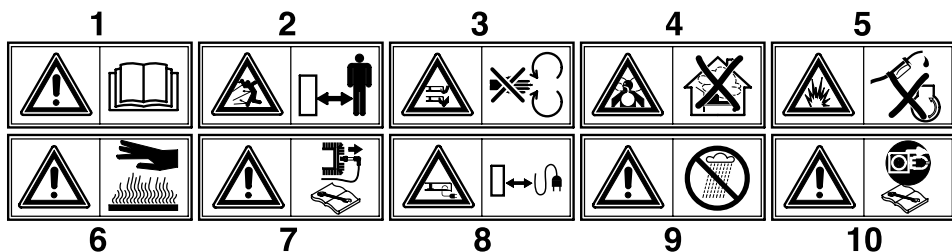
Bengt Ahlund
Direttore tecnico

Husqvarna Outdoor Product Italia S.p.A.

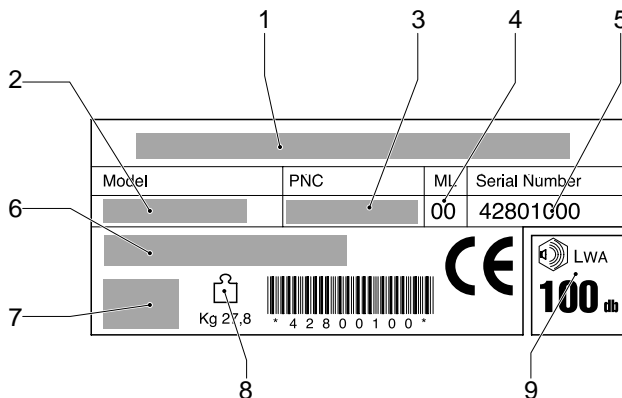
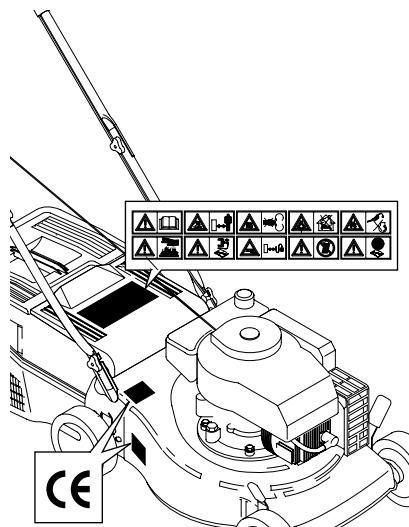
Via Como 72 - 23868 Valmadrera (LC)

3/08/2006

Köszönjük Fűnyírógép megvásárlása útján belénk helyezett bizalmat. Biztosak vagyunk, hogy meg lesz elégedve gyártmányunk minőségével.
Kérjük, olvassa el figyellemmel ezt az utasítást a helyes használati mód és a biztonsági előírások betartása érdekében.



- 1 **Figyelem!** Elolvasni az utasításokat a használat előtt.
- 2 A veszélyes területen ne tartózkodjanak idegenek!
- 3 **Figyelem,** veszély: kezek és lábak megsebzése
- 4 **Mérgező gázok belégzése veszély!** Ne használni a gépet zárt vagy evésbé szellőztetett helységeken.
- 5 **Robbanásveszély!** Ne hajtani végre az uzemanyag töltést amikor a motor működésben van.
- 6 **Figyelem!** Meleg felület.
- 7 **Figyelem!** Kikapcsolni a motort és iiktatni a gyertyát minden karbantartási muvelet előtt.
- 8 A veszélyes területen ne tartózkodjanak idegenek!
- 9 **Figyelem!** Óvni az esőtől és a nedvességtől.
- 10 Elektromos kábelt a pengétől távvaltartan



- 1 Epito
- 2 Típus
- 3 Termék kód
- 4 Módosítási mutató
- 5 Széria szám
- 6 Típus
- 7 Motor jellemzői
- 8 Súly
- 9 Hangerőszint

BIZTONSÁGI NORMÁK

A gyalogos operátor által vezérelt forgókéses fűnyírógép biztonságos használata

FONTOS: Vigyázat, a gép vágószerkezete képes a végtagok amputálására és kisebb tárgyak levegőbe vetésére. Az alábbi biztonsági előírások elhanyagolása súlyos vagy akár halálos sérülést is okozhat.

I. Gyakorlati utasítások

- Olvassa el gondosan a használati utasítást. Tanulmányozza a vezérlőgombokat és a berendezés megfelelő használatát.
- A fűnyíró használatát ne engedélyezze gyermekeknek vagy olyan személynek aki nem ismeri annak használatát. Helyi előírások szabályozhatják a felhasználó életkorát.
- Soha ne nyírja a fűvet más személyek, különösen gyermekek vagy háziállatok közelében.
- Tartsa fi gyelemben, hogy a berendezés felhasználója felelős az esetleges, más személyekben vagy vagyon-tárgyakban okozott kárért.

II. Előkészületek

- Fűnyírás közben viseljen zárt, vastag cipőt és hosszúnadrágot. Ne használja a berendezést mezitláb vagy nyitott sandalban.
- Ellenőrizze alaposan a terepet a berendezés használata előtt és távolítson el minden olyan tárgyat (pl. nagyobb kavicsok) amit a gép levegőbe vethet.
- **FIGYELEM-** A benzint fokoztatan gyúlékony anyag.
 - Tartsa az üzemanyagot erre megfelelő, biztonságos tartályban.
 - Csak a szabadban töltsen fel az üzemanyagtartályt és ne dohányozzon e művelet végzése közben!
 - Az üzemanyagot a motor beindítása előtt töltsen be. A motor működése közben és forró motor esetén tilos az tanksapkát lecsavarni vagy benzint hozzátölteni!
 - Ha az üzemanyag kifolyt, ne kísérelje meg a motor beindítását, távolodjon el a berendezéssel a benzintöcsától és amíg a benzingőz el nem párolog kerülni minden olyan tevékenységet amely annak begyulladását okozhatja.
 - Csavarja vissza a tanksapkát és a benzinkanna kupakját.
- Cserélje ki a hibás kipufogódobot.

- Használat előtt nézze át a berendezést, ellenőrizze hogy a kések, a kések csapszegei és a késrögzőítő szerkezet ne legyenek kopottak vagy hibásak. A kopott vagy hibás késeket és csavarokat helyettesítse garnitüränként hogy a gép egyensúlyban maradjon.
- Többkéses változat esetén vegye fi gyelemben, hogy egy kés elforgatása elfordíthatja a többi kést is.

III. Üzemeltetés

- Ne üzemeltesse a motort zárt helyen, ahol a veszélyes szénmonoxid gáz felgyűlhet.
- Csak nappali fénynél, vagy megfelelő mesterséges megvilágítás esetén használja a berendezést.
- Kerülje, ha lehetséges, a berendezés használatát nedves fű esetén.
- Ha lejtős talajon dolgozik, győződjön meg mindig arról, hogy biztonságosan áll.
- A gép használata közben lassan haladjon, ne fusson.
- Kerekes forgókéses gép használata esetén fűnyírás közben kövesse a lejtő oldalát, ne menjen hegynek fel és le.
- Legyen különösen óvatos mikor lejtőn vált irányt.

- Ne használja a gépet túl meredek lejtőkön.
- Legyen nagyon óvatos miközben a gépet maga felé fordítja vagy húzza
 - Állítsa le a kést ha a fűnyírót el kell dönteni a szállításhoz, ha a fűtől különböző felületen kell áthaladnia és miközben a lenyírandó fűterületre vagy onnan elszállítja.
- Sose használja a fűnyírót hiányos védőráccsal vagy ha a biztonsági berendezések, pl. a terelőlapok és/ vagy a fűgyűjtők nincsenek a helyükön.
- Ne változtasson a motorbeállításán és ne gyorsítsa túl a motort. A motor túlzott sebességen való működtetése fokozza a személyi sérülés veszélyét.
- A a motor beindítása előtt iktassa ki a késeket és a kuplungot.
- Indítsa el a gépet vagy kapcsolja be a motort az utasításoknak megfelelően, lábait a késektől biztonságos távolságra tartva.
- Ne döntse el a fűnyírót miközben a gépet beindítja vagy a motort bekapcsolja, kivéve ha a fűnyírót el kell dönteni a beindításhoz. Ebben az esetben is csak annyira döntse el, amennyire feltétlen szükséges, és csak a magától távol eső részt emelje fel.
- Ha a fűkiszóró terelőlap előtt áll, ne kapcsolja be a gépet.
- Ne rakja végtagjait a forgó részek közelébe és azok alá. Tartsa mindig tisztán a kiszórónnyílást!
- A motor működése közben ne emelje fel és ne hordozza a fűnyírót!
- Állítsa le a motort és kapcsolja le a gyújtógyertya vezetéket :
 - rögzítők vagy a fűkiszóró kitisztítása előtt;
 - mielőtt átnézn, tisztítan vagy dolgozna a fűnyírón;
 - idegen tárgyal való ütközés után. Vizsgálja meg a fűnyírót, hogy nem sérült-e meg és javítsa meg az esetleges hibát mielőtt újra használna.
 - ha a fűnyíró szokatlanul rezeg (ellenőrizze azonal).
- Állítsa le a berendezést:
 - valahányszor magára hagyja a fűnyírót;
 - mielőtt üzemanyagot töltene be.
- A motor kikapcsolásához vegye le a gázt, és ha a gép elzáró szeleppel van ellátva zárja el a benzint a fűnyírás végeztével.
- Haladjon lassan mikor vezető ülésen elatott gépet használ.

IV. Karbantartás és tárolás

- Húzza szorosra az összes csapszeget, csavaranyát és csavart, hogy biztosítsa a berendezés biztonságos használatát.
- Ne tárolja a berendezést teli tankkal olyan épületben ahol a benzingőz nyílt lánggal vagy szikrákkal érintkezésbe léphet.
- Hagyja a berendezést kihűlni mielőtt zárt helyre elrakná.
- A tűzveszély csökkentése érdekében tisztítsa meg a motort, a kipufogódobot, az akkumulátort és a üzemanyag tárolóhelyet a fűtől, a falevelektől és a felesleges kenőanyagtól.
- Ellenőrizze gyakran a fűgyűjtő kopását és elhasználódását.
- Cserélje ki a megkopott vagy sérült részeket biztonsága érdekében.
- Ha az üzemanyagtartályt ki kell üríteni, a szabadban végezze ezt a műveletét!

A**NOMENKLATURA**

1	Felső markolat	12	Terelőlemez
2	Alsó markolat	13	Gázkar
3	Felső markolat rögzítő csavar és anya	14	Biztonsági kar
4	Szák	15	Reduktor csoport
5	Olajbetöltő dugó	16	Markolatvédo
6	Olajleeresztő dugó	17	Elektromos indítókulcs
7	Váz	18	Kuplung markolat
8	Vágási magasságot szabályozó kar	19	Késbefogó kart
9	Gyújtógyertya	20	Az előrehaladás sebességszabályzóka
10	Benzintartály dugó	21	Dúsító szivattyú
11	Indítókar		

B**FÜGYŰJTŐ ZSÁK / KOSÁR FELSZERELÉSE****C****VÉDŐBORÍTÓ FELSZERELÉSE** *(ha már nem összeszerelt)***D****ALSÓ KAR FELSZERELÉSE****E****FELSŐ KAR FELSZERELÉSE****F****AZ ELSO KEREK FELSZERELÉSE** *(ha már nem összeszerelt)***G****A KAR BEÁLLÍTÁSA** *(csak azoknál a modelleknél ahol tartozék)***H****MULCHING RUGÒ BEILLESZTÉSE** *(csak azoknál a modelleknél ahol tartozék)*

Ahhoz hogy a MULCHING szisztémával le lehessen nyírni a fűvet (a fű beszédese nélkül) fel kell húzni a zsilip táblát és beilleszteni a dugót a rugóhoz hozzákötve ahogy a képen látszik.

I**VÁGÁSI MAGASSÁG BEÁLLÍTÁSA****J****BIZTONSÁGI ELŐKÉSZÜLETEK**

- Csakis felszerelt fűgyűjtőkosárral vagy terelőlemezsel dolgozni.
- Fűgyűjtő levételénél és a vágási magasság beállításánál motort leállítani
- Működő motornál kezét és lábat a váz szegélyétől és nyílásától távol tartani.

Munka megkezdése előtt a gyepről minden idegen tárgyat eltávolítani. Munkaközben figyelni az esetleg ottmaradt tárgyakra.

A motor beindítása alatt az operátor ne emelje fel a funyírógépet, hanem ha szükséges, döntse meg úgy, hogy a kés a vele ellentétes irányban legyen.

Járó motornál feltétlenül elkerülendő a kezeknek és lábaknak a váz alá vagy a kifűvő nyíláshoz való közelítése.

K MŰKÖDÉS

MOTOR ELŐKÉSZÍTÉSE (K1 ábra)

A motor előkészítéséhez a motor gyártójának használati utasítását kell figyelembe venni.



Figyelem: Használat előtt olajat tölteni a motorba (0,6 l)..

MOTOR BEINDÍTÁSA (K11 ábra)

A motor előkészítése után a beindítás a következőképpen történik:

a) choke-rendszerű motornál:

gázkarral ellátott motoroknál, hideg motor esetében, a gázkart (K111 ábra - 13) START helyzetbe állítani

b) Féket (14) meghúzni, előkészíteni a motort az indításra, az emeltyű a fogantyúhoz nyomni és így tartani az gép indítása és hasznáta alatt; ez működteti a motorféket.

c) primer-rendszerű motornál:

a karburátoron lévő sűrítő pumpát (21) 3-4-szer megnomni; gázkarral ellátott motoroknál a gázkart (13) MAX helyzetbe állítani.

Esetleges további felvilágosítások a motor használati utasításában találhatók.

d) Motort beindítani:

KÉZI INDÍTÁS: (A motor stop- fogantyúját tartva (14)).

- Az idítő fogantyút megmarkolva (11) a kötelet különböző erő kifejtés nélkül addig húzni, míg a kompresszió által előidézett ellenállás érezhetővé nem válik, majd visszaengedése után erőlesen megrántani.

ELEKTROMOS INDÍTÁS : (A motor stop- fogantyúját tartva (14)).

- Beilleszteni a csatlakozó dugót (G) a gépen található csatlakozó aljzatba (H). A slusszkulcsot (17) elfordítani vagy .



VIGYÁZAT! A motor beindításakor a kés is fogorni kezd.

Működés közben a fogantyút (14) lenyomva tartani; annak elengedésekor a motor leáll.

TNYIRÁS (Fig.K111 - K14)

A fűnyírás elvégzéséhez a gépet kézzel tolni, vagy az automatikus előremenetet bekapcsolni.

Automatikus előremenet bekapcsolása: kuplungfogantyút (18) felemelni és nyomva tartani.



VIGYÁZAT: bekapcsolás csak járó motornál.

Előrehaladás automatikus kikapcsolása: kuplungfogantyút elengedni.

PENGEFÉKES VÁLTOZAT (Kv ábra)

Járó motor mellett a kés beillesztéséhez húzza a fogót (14) a markolat felé és tartsa lenyomva; tolja előre a késbefogó kart (19), ekkor a kés fogorni kezd.



FIGYELEM: a fogó (14) elengedésével a kés megáll, míg a motor továbbra is jár.

NYIRÁS

A fűnyírás elvégzéséhez a gépet kézzel tolni, vagy az automatikus előremenetet bekapcsolni.

Automatikus előremenet bekapcsolása: kuplungfogantyút (18) felemelni és nyomva tartani.



VIGYÁZAT: bekapcsolás csak járó motornál.

Előrehaladás automatikus kikapcsolása: kuplungfogantyút elengedni.

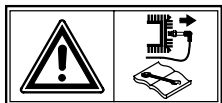
L

UPLUNG KÁBEL BEÁLLÍTÁSA (csak önműködő változatoknál)

Fontos: ha a kuplungfogantyú megnyomásakor a kapcsolás nem jön létre akkor a kuplungkábelbe be kell szabályozni a (P) rugónak az (R) lemezen található következő lukába, vagy a kuplungfogantyú allati lemezén lévő "S".

M

KARBANTARTÁS



Figyelem! Kikapcsolni a motort és kiiktatni a gyertyát minden karbantartási művelet előtt

- 4 ütemű robbanómotoroknál az olajsíntet rendszeresen ellenőrizni. Ha szükséges, olajat utánaölteni, vagy cserélni. További felvilágosítások a motor használati utasításában.
- Időnkint ellenőrizni, hogy a csavarok és anyák kellően meg legyenek húzva. Fűnyírás után a gépet alul-felül alaposan meg tisztítani. Megakadályozni a váz alatti fulerakodást.
- Ügyelni a füstkipufogó hangtompítójára...mert forró
- Pengét gyakran ellenőrizni: akkor nyír jól, ha alaposan meg van fenne és ki van egyensúlyozva.
- Gyakran ellenőrizni a kést az esetleges károsodás megállapítása végett.

- Minden esetre ajánlatos az évszak végeztével a fűnyírógépet egy szervíz állomáson ellenőriztetni, különösen ha a penge akadályokba ütközve erős utéseket kapott.
- Altest tisztítás
Amikor ez történik a gép le kell legyen állítva és ki kell egyen kapcsolva.
- Osszekapcsolni a kapcsolást (22) az altestre a vízcsaphoz víztáplálás. Kinyitani a vízcsapot.
- Beindítani a motort (a pengék forgásban vannak) és ukodtetni egy pár percre.
- Amikor megtörtént a tisztítás: kikapcsolni a motort, elzárni a vízcsapot, kivenni a csövet az altest kapcsolásból.

N KÉS

- A penge (23) leszereléséhez kicsavarni a (24) csavart
- Ellenőrizni: pengetartó (25), dörzsalátét (26), csap (27), alátételemezek (28). Ha sérültek, kicserélni.
- Főlszereléskor ügyelni hogy a csap (27) a motortengelyen lévő furatában legyen és a penge a vágóélével a motor forgási irányában legyen felszerelve. A penge csavarját (24) 5,34 Kpm (52,4 Nm) forgatónyomatékkal kell befogni.

O ELEKTROMOS INDÍTÓ KIT

- Az első beindítás előtt ajánlatos 2-3 óráig feltölteni.
Ha az indítás alatt gyengének bizonyul, 24 óráig tölteni.
Indításonkint legfőbb 5 másodpercig próbálkozni.

AZ AKKUMULÁTOR KARBANTARTÁSA



FIGYELEM

Az akkumulátor helyes karbantartása érdekében (31), főképpen amikor hosszabb ideig nem üzemeltetjük, a feltöltésnél nem szükséges kivenni ezt a védőtokból, hanem a következő lépések szerint kell eljárni:

1. Levenni a 32-es kontaktust.
2. Az akkumulátort üvös és száraz helyen tárolni
3. Feltölteni az akkumulátort a használat előtt 24-36 órán keresztül környezeti hőmérsékletben.
4. Visszatenni a 32-es kontaktust a használat előtt.

JÓTÁLLÁS ÉS JÓTÁLLÁSI IRÁNYELVEK

Ha bármelyik alkatrész gyártási hiba miatt hibásnak bizonyul a vásárlástól számított két éven belül, akkor az Husqvarna kerti cikkekkel foglalkozó részlege a szakszerveizein keresztül a vevők számára díjmentes javítást vagy cserét biztosít:

- a) A hibabejelentés közvetlenül a megbízott szervizközpont keresztül történik.
 - b) A vevő fel tudja mutatni a vételi elismervényt.
 - c) A hiba nem rendellenes használatból, hanyagságból vagy hibás beállításból fakad.
 - d) A hiba nem elfogadható mértékű kopásból vagy elnyíródásból ered.
 - e) A berendezést a Husqvarna Outdoor Products által felhatalmazott személyen kívül más nem szervizelte, nem javította, nem szedte darabjaira ill. nem bolygatta.
 - f) A gép nem szolgált bérbeadási célokra.
 - g) A berendezés az eredeti vásárló tulajdonát képezi.
 - h) A berendezést nem használták kereskedelmi célokra.
- Ez a jótállás kiegészítésként szolgál, és semmiképp nem csökkenti a vevők törvényszerű jogait.

A jótállás nem fedezi az alább felsoroltakból eredő meghibásodást, és éppen ezért fontos, hogy a gép kezelője a Kezelési útmutatóban leírtakat alaposan át tanulmányozza, és megértse a fűnyírógép működésének módját és karbantartásának mikéntjét.

PENGEFÉKES VÁLTOZAT

- A kés eltávolításához (29) kicsavarni a két csavart (30).
- Leellenőrizni a kés állapotát és kicserélni a meghibásodott részeket, visszaszerelni a két csavarral (30) amiket 5,34 Kgm – re (52,4Nm) kell szorítani.

AZ AKKUMULÁTOR GYŰTÉSE



Az akkumulátort melyen a “ hulladékkonténer thuzva” vagy a Pb egyjel (= olmot tartalmazó akkumulátor) látható tilos a telepi hulladékhoz dobni



A törvényrendeletek szerint a használt akkumulátort az engedélyezett gyűjtőközpontoknak vagy az eladónak kell átadni.

A jótállás nem tér ki az alábbiakra:

- Elkopott és megrongálódott kések cseréje.
- Eredeti hibabejelentésnek elmulasztásából fakadó meghibásodás.
- Hirtelen ütésből származó meghibásodások.
- A Kezelési útmutatóban leírt utasítások és javaslatok figyelmen kívül hagyásából fakadó meghibásodások.
- Bérbe adott fűnyírókat nem fedezi a jótállás.
- Az alább felsorolt tartozékok kopásnak kitett alkatrészeknek minősülnek, és élettartamuk a rendszeres karbantartáson és előregedésen múlik, - ezért nem sorolhatók azon tételek közé, amelyekre elfogadható garanciaigény nyújtható be: kések, elektromos csatlakozókábel, szalag

● Figyelmeztetés!

A Husqvarna Outdoor Products nem vállal semminemű felelősséget a jótálláson belül az olyan jellegű meghibásodásért, amely részben vagy egészben, közvetlen vagy közvetett módon a nem a Husqvarna Outdoor Products által gyártott ill. jóváhagyott cserealkatrészekkel vagy kiegészítő tartozékokkal történő cseréből vagy a berendezés bármely módon történő módosításából fakad.

EC MEGFELELŐSÉGI TANÚSÍTVÁNY'

Alulírott, Bengt Ahlund, Husqvarna Outdoor Products Italia Spa, Via Como 72, 23868 Valmadrera (LC). hogy a fűnyíró:-

KategóriaBenzinmotoros, kerekes, rotari rendszerű

GyártmányHusqvarna Outdoor Products

Megfelel a 2000/14/EEC direktívák specifikációinak

TípusA

VáltozatB

VágószélességC

Garantált hangerőszintD

Mért hangerőszintE

Akusztkai nyomásszintF

A kar vibrációjaG

VágóéltípusForgókéses

Széria azonosításaLásd a Termékminősítő Cédulát

TermékmegfeleléségANNEX VI

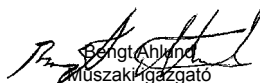
Értésített testület.....Nr. 0470 - NEMKO AS

Gaustadalleen 30 - PO Box 73 Blindern

0314 OSLO - Norway

Egyéb direktívák98/37/EC, 93/68/EEC, 2002/88/EC, 2004/108/EC

valamint azEN836,EN ISO14982,EN1033,EN ISO 3744,EN ISO11201



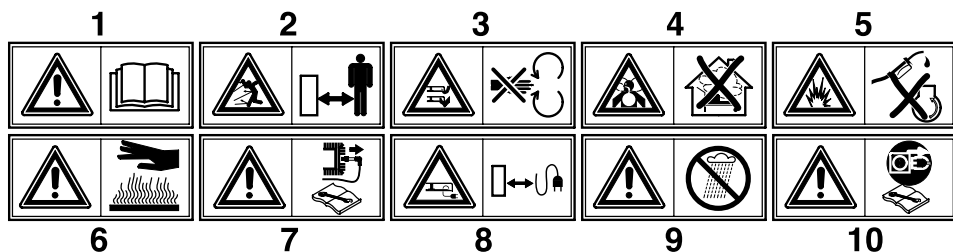
Bengt Ahlund
Műszaki igazgató

Husqvarna Outdoor Product Italia S.p.A.

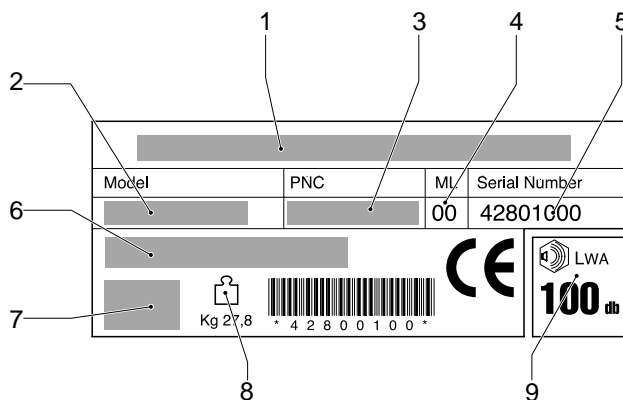
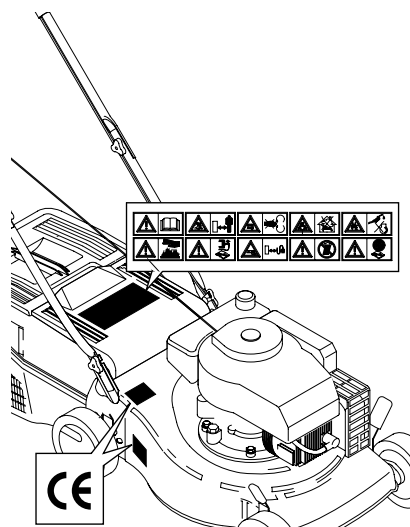
Via Como 72 - 23868 Valmadrera (LC)

3/08/2006

Σα΄ ευχαριστούμε για την προτίμηση που μα΄ δείξατε αγοράζοντα΄ την χλοοκοπτική μα΄ μηχανή. Είμαστε βέβαιοι οτι χρησιμοποιούντα΄ την θα μπορέσετε να εκτιμήσετε με ευχαρίστηση την ποιότητα του προϊόντα μα΄. Σα΄ παρακαλούμε να διαβάσετε προσεκτικά το εγχειρίδιο αυτό που συντάχθηκε επί τηδε΄ για να Σα΄ πληροφοροεί κατά σωστό τρόπο όσον αφορά την σωστή χρήση τη΄ μηχανη΄ σύμφωνα με του΄ βασικού΄ κανόνε΄ ασφαλεία΄.



- 1 **Προσοχή!** Διαβάστε προσεκτικά το εγχειρίδιο οδηγιών πριν απο την χρήση.
- 2 Απομακρύνετε τα άσχετα πρόσωπα απο τον χώρο κινδύνου.
- 3 **Προσοχή!** Κίνδυνος τραυματισμού χειρών και
- 4 **Κίνδυνος εισπνοής τοξικών αερίων.** Μη χρησιμοποιείτε την συσκευή σε κλειστους ή λίγο αεριζομενου΄ χώρους.
- 5 **Κίνδυνος έκρηξης!** Μη βάζετε τα καύσιμα με τον κινητήρα υπο κίνηση.
- 6 **Προσοχή!** Επιφάνεια θερμή.
- 7 **Προσοχή!** Σβήνετε τον κινητήρα και αποσυνδέετε το μπουζί προτού κάνετε οποιαδήποτε επέμβαση συντήρησης.
- 8 Κρατάτε το τροφοδοτικό καλώδιο μακριά απο το κοφτερό εργαλείο.
- 9 **Προσοχη!** Προστατευετε απο την βροχη και την υγρασια
- 10 Προτού κάνετε οποιαδήποτε επέμβαση στο κοφτερό εργαλείο βγάζετε το φινς τροφοδοσίας.



- 1 Κατασκευαστης
- 2 Μοντέλο
- 3 Κωδικός προϊόντος
- 4 Δείκτης τροποποίησης
- 5 Αριθμο΄ σειρά΄
- 6 Τιπ
- 7 Χαρακτηριστικά τη΄ μηχανής
- 8 Βάρω
- 9 Ηχητικω΄ βαθμό

ΚΑΝΟΝΕΣ ΑΣΦΑΛΕΙΑΣ

Ασφαλείς πρακτικές λειτουργίας για περιστρεφόμενες μηχανές κουρέματος γκαζόν με πεζό χειριστή ΣΗΜΑΝΤΙΚΟ: Το παρόν μηχανήμα κοπής μπορεί να ακρωτηριάσει χέρια και πόδια και να εκτοξεύσει αντικείμενα. Αν δεν ακολουθήσετε τις παρακάτω οδηγίες ασφαλείας, μπορεί να προκληθεί σοβαρός τραυματισμός ή θάνατος.

I. Κατάσταση

- Διαβάστε προσεκτικά τις οδηγίες. Εξοικειωθείτε με τα χειριστήρια και τη σωστή χρήση του εξοπλισμού.
- Μην αφήνετε ποτέ παιδιά ή άτομα που δεν γνωρίζουν τις παρούσες οδηγίες να χειρίζονται το μηχανήμα κουρέματος γκαζόν. Η ηλικία του χειριστή ενδοχόμενως να περιορίζεται από τοπικούς κανονισμούς.
- Μην κουρεύετε το γκαζόν όταν βρίσκονται κοντά άτομα, και ιδιαίτερα παιδιά, ή κατοικίδια ζώα.
- Να λαμβάνετε υπόψη σας ότι ο χειριστής ή ο χρήστης είναι υπεύθυνος για τυχόν ατυχήματα που συμβαίνουν ή κινδύνους που υπάρχουν για άλλα άτομα ή για την ιδιοκτησία τους.

II. Προετοιμασία

- Όταν κουρεύετε το γκαζόν, να φοράτε πάντοτε σταθερά υποδήματα και μακρά παντελόνι. Μην χερίζετε το μηχανήμα ξυπόλυτοι ή φορώντας ανοιχτά σανδάλια.
- Ελέγξτε προσεκτικά την περιοχή όπου θα χρησιμοποιήσετε τον εξοπλισμό και απομακρύνετε κάθε αντικείμενο το οποίο μπορεί να εκτοξευτεί από το μηχανήμα.
- **ΠΡΟΕΙΔΟΠΟΙΗΣΗ** – Η βενζίνη είναι πολύ εύφλεκτη.
 - Να αποθηκεύετε τη βενζίνη σε δοχεία ειδικά σχεδιασμένα για το σκοπό αυτό.
 - Να εκτελείτε τον ανεφοδιασμό μόνο σε εξωτερικό χώρο και μην καπνίζετε ενώ κάνετε ανεφοδιασμό.
 - Να προσέχετε καύσιμο πριν από την εκκίνηση του κινητήρα. Μην βγάζετε ποτέ την τάπα από το ρεζερβουάρ και μην προσθέτετε ποτέ βενζίνη όταν ο κινητήρας βρίσκεται σε λειτουργία ή όταν είναι ζεστός.
 - Σε περίπτωση που χυθεί βενζίνη, μην προσπαθήσετε να θέσετε τον κινητήρα σε λειτουργία, αλλά απομακρύνετε το μηχανήμα από τη περιοχή όπου έχει χυθεί καύσιμο και αποφύγετε τη δημιουργία πηγής ανάφλεξης έως ότου σκορπιστούν οι αναθυμιάσεις της βενζίνης.
 - Τοποθετήστε ξανά όλες τις τάπες του ρεζερβουάρ και των δοχείων με ασφάλεια.

- Αλλάξτε τους ελαττωματικούς σιλιανείς.
- Πριν από τη χρήση, πάντοτε να ελέγχετε οπτικά ότι οι λεπίδες, τα μπουλόνια των λεπίδων και η κοπτική διάταξη δεν έχουν υποστεί φθορές ή ζημιές. Αλλάξτε τις λεπίδες και τα μπουλόνια που έχουν υποστεί φθορές ή ζημιές κατά ομάδες για να διατηρήσετε την ισορροπία.
- Προσέχετε στις μηχανές με πολλαπλές λεπίδες επειδή η περιστροφή μίας λεπίδας μπορεί να προκαλέσει την περιστροφή άλλων λεπίδων.

III. Λειτουργία

- Μην θέτετε τον κινητήρα σε λειτουργία σε κλειστό χώρο όπου μπορεί να συσσωρευτούν επικίνδυνες αναθυμιάσεις μονοξειδίου του άνθρακα.
- Να κουρεύετε γκαζόν μόνο κατά τη διάρκεια της ημέρας ή με καλό τεχνητό φωτισμό.
- Όταν είναι δυνατό, αποφεύγετε να θέτετε τον εξοπλισμό σε λειτουργία σε βρεγμένο γκαζόν.
- Στις ανηφόρες πάντοτε να βεβαιώνετε ότι στέκεστε σταθερά.
- Να περπατάτε, ποτέ να μην τρέχετε.
- Για τροχοφόρα περιστρεφόμενα μηχανήματα, να κουρεύετε το γκαζόν κατά πλάτος της ανηφόρας και ποτέ ανηφορικά και κατηφορικά.
- Προσέχετε πολύ όταν αλλάζετε ανακείμενη στις ανηφόρες.
- Μην κουρεύετε γκαζόν σε υπερβολικά απότομες ανηφόρες.
- Προσέχετε πολύ όταν κάνετε όπισθεν ή τραβάτε το μηχανήμα προς το μέρος σας.

- Διακόψτε τη λειτουργία της λεπίδας αν πρέπει να δώσετε κλίση στο μηχανήμα κουρέματος γκαζόν για λόγους μεταφοράς, όταν διασχίζετε επιφάνειες που δεν έχουν γκαζόν και όταν μεταφέρετε τη μηχανή κουρέματος γκαζόν προς και από την περιοχή όπου θα κουρέετε το γκαζόν.
- Μην θέτετε ποτέ τη μηχανή κουρέματος γκαζόν σε λειτουργία με ελαττωματικά προστατευτικά ή χωρίς να βρίσκονται στη θέση τους οι συσκευασίες ασφαλείας, για παράδειγμα τους ανακλαστικές ή/και συλλέκτες χορταριών.
- Μην αλλάζετε τις ρυθμίσεις του ρυθμιστή στροφών κινητήρα και μην υπερβαίνετε το όριο στροφών του κινητήρα. Αν θέτετε τον κινητήρα σε λειτουργία σε υπερβολικές στροφές μπορεί να αυξηθεί ο κίνδυνος πρόκλησης τραυματισμού.
- Αποσυνδέστε όλες τις λεπίδες και τους συμπλέκτες κίνησης πριν θέσετε τον κινητήρα σε λειτουργία. • Ξεκινήστε τη λειτουργία του κινητήρα ή ανάψτε το μοτέρ προσεκτικά σύμφωνα με τις οδηγίες, ενώ τα πόδια σας βρίσκονται μακριά από τη λεπίδα.
- Μην γέρνετε τη μηχανή κουρέματος γκαζόν όταν ξεκινάτε τη λειτουργία του κινητήρα ή όταν ανάβετε το μοτέρ, εκτός αν είναι απαραίτητο να γέρνετε τη μηχανή κουρέματος γκαζόν για να τη θέσετε σε λειτουργία. Σε αυτήν την περίπτωση, μην τη γέρνετε περισσότερο από ό,τι απαιτείται και σηκώστε μόνο το τμήμα που βρίσκεται μακριά από το χειριστή.
- Μην θέσετε τον κινητήρα σε λειτουργία όταν στέκεστε μπροστά από τη χοάνη εκβολής.
- Μην πλησιάζετε τα χέρια ή τα πόδια σας κοντά ή κάτω από περιστρεφόμενα μέρη. Να μενετε πάντοτε μακριά από τα ανοιγμένα εκβολής.
- Μην σηκώνετε ποτέ και μη μεταφέρετε ποτέ τη μηχανή κουρέματος γκαζόν όταν ο κινητήρας βρίσκεται σε λειτουργία.
- Σβήστε τον κινητήρα και αποσυνδέστε την ντίζα του μοτούζι:
 - πριν καθαρίσετε ανοίγματα και πριν ξεβουλώσετε τη χοάνη.
 - πριν ελέγξετε, καθαρίσετε ή εκτελέσετε εργασίες στη μηχανή κουρέματος γκαζόν.
 - αν συγκροτήσετε επάνω σε ξένο αντικείμενο. Ελέγξτε τη μηχανή κουρέματος γκαζόν για ζημιές και εκτελέστε τις εργασίες επισκευής πριν θέσετε τη μηχανή κουρέματος γκαζόν ξανά σε λειτουργία:
 - αν η μηχανή κουρέματος γκαζόν αρχίσει να δονείται περριερα (ελέγξτε αμέσως).
- Σβήστε τον κινητήρα:
 - κάθε φορά που απομακρύνετε από τη μηχανή κουρέματος γκαζόν.
 - πριν από τον ανεφοδιασμό.
- Μειώστε τη ρύθμιση του μοχλού πεταλούδας όταν σβήνετε τον κινητήρα και σε περίπτωση που ο κινητήρας διαθέτει βαλβίδα διακοπής, αποκόψτε το καύσιμο όταν ολοκληρώσετε το κούρεμα του γκαζόν.
- Όταν χρησιμοποιείτε ρυμολκούμενο κάθισμα, να προχωράτε αργά.

IV. Χρήση και αποθήκευση

- Διατηρείτε σφικτά όλα τα παξιμάδια, τα μπουλόνια και τις βίδες για να εξασφαλίσετε ότι ο εξοπλισμός βρίσκεται σε ασφαλή κατάσταση λειτουργίας.
- Μην αποθηκεύετε ποτέ τον εξοπλισμό με βενζίνη στο ρεζερβουάρ στο εξωτερικό κτίριο, όπου οι αναθυμιάσεις μπορεί να φτάσουν σε γυμνή φλόγα ή σπινθήρα.
- Αφήστε τον κινητήρα να κρυσώσει πριν τον αποθηκεύσετε σε οποιοδήποτε κλειστό χώρο.
- Για να μειώσετε το κίνδυνο πυρκαγιάς, διατηρείτε τον κινητήρα, το σιλιανσί, το χώρο μπαταρίας και το χώρο αποθήκευσης βενζίνης χωρίς φυτά ή βλάστηση και υπερβολικό γρσσο.
- Ελέγχετε τακτικά το συλλέκτη χορταριών για φθορά.
- Για ασφάλεια, αλλάξτε τα μέρη που έχουν υποστεί φθορές ή ζημιές.
- Αν πρέπει να αποστραγγίσετε το ρεζερβουάρ, η διαδικασία αυτή πρέπει να γίνεται σε εξωτερικό χώρο.

A**ΟΝΟΜΑΤΟΛΟΓΙΟ**

1	Άνω λαβή	12	Οπίσθια καταρρακτή
2	Κάτω λαβή	13	Μοχλος επι ταχυντήρα
3	Βίδα, περικόχλιο στερέωσης άνω λαβής	14	Μοχλος ασφαλείας
4	Σάκο Συλλεκτικό καλάθι χορταριών	15	Ομάδα μειωτήρα
5	Τάπα γεμιστή ελαίου	16	Λαβή μίσσας
6	Τάπα εκφόρτωση ελαίου	17	Κλειδί ηλεκτρική εκκίνησης
7	Σασί	18	Λαβή μίσσας
8	Μοχλος ρύθμιση ύψους κοπής	19	Μοχλος σύνδεσης μαχαίριου
9	Μπουζί	20	Μοχλος ταχύτητας ώθησης
10	Τάπα ρεζερβουάρ βενζίνης	21	Αντλία εμπλουτισμού
11	Λαβή εκκίνησης κινητήρα		

B**ΣΥΣΤΗΜΑ ΤΟΥ ΣΥΛΛΕΚΤΗ ΤΟΥ ΓΡΑΣΙΔΙΟΥ****C****ΣΥΣΤΗΜΑ ΤΟΥ ΕΚΤΡΟΠΕΑ (εάν δεν είναι ήδη συναρμολογημένο)****D****ΣΥΣΤΗΜΑ ΤΩΝ ΚΑΤΩ ΧΕΙΡΟΛΑΒΩΝ****E****ΣΥΣΤΗΜΑ ΤΩΝ ΕΠΙΠΛΩ ΧΕΙΡΟΛΑΒΩΝ****F****ΣΥΝΑΡΜΟΛΟΓΗΣΗ ΤΡΟΧΩΝ (εάν δεν είναι ήδη συναρμολογημένο)****G****ΔΙΟΡΘΩΣΗ ΤΟΥ ΨΥΟΥΣ ΤΩΝ ΧΕΙΡΟΛΑΒΩΝ (για τα μοντέλλα τα οποία τον συμπεριλαμβάνουν)****H****ΤΟΠΟΘΕΤΗΣΗ ΤΑΠΑΣ ΜΥΛΑΧΗΝΓ (για τα μοντέλλα τα οποία τον συμπεριλαμβάνουν)**

Για να πραγματοποιήσετε το κόψιμο του χόρτου με το σύστημα μυλαχηνγ (χωρίς δηλαδή το μάξωμα του χόρτου) σηκώστε την υδραυλική καταπακτή και τοποθετήστε την τάπα σταθεροποιώντας την με το ελατήριο όπου σας δείχνεται στην εικόνα.

I**ΡΥΘΜΙΣΗ ΨΥΟΥΣ ΚΟΠΗΣ****J****ΠΡΟΔΙΑΘΕΣΗ ΠΡΟΣΤΑΣΙΩΝ**

- Εργάζεσθε πάντα με τον συλλέκτη χορταριών ή με τον εκτροπέα συναρμολογημένους.
- Σβήνετε τον κινητήρα για να κάνετε την μετακίνηση του συλλέκτη χορταριών και για την ρύθμιση του ύψους κοπής.
- Μη βάζετε τα χέρια ή τα πόδια κάτω από το πλαίσιο ή στο άνοιγμα αποβολής εάν ο κινητήρας είναι υπό λειτουργία.

Προτού αρχίσετε το κόψιμο των χορταριών, βγάξτε ενδεχόμενα ξένα σώματα από το έδαφος. Κατά την εργασία προσέχετε μηψή έχουν μείνει ξένα σώματα στο έδαφος. Ο χειριστής είναι υπεύθυνος απέναντι τρίτων στο χώρο εργασίας.

Κατά την εκκίνηση του κινητήρα, ο χειριστής δεν πρέπει να σηκώνει την κοπιτική μηχανή, αλλά μόνο εάν χρειασθεί, να την γέρνει λίγο κατά τέτοιο τρόπο, ώστε το μαχαίρι να είναι γυρισμένο αντίθετα από το μέρος του χειριστή. Μη βάζετε τα χέρια ή τα πόδια κάτω από το πλαίσιο ή στο άνοιγμα αποβολής εάν ο κινητήρας είναι υπό κίνηση.

K ΛΕΙΤΟΥΡΓΙΑ

ΠΡΟΔΙΑΘΕΣΗ ΚΙΝΗΤΗΡΑ (Fig.KI)

Για την προστασία του κινητήρα συμβουλευτείτε το εγχειρίδιο οδηγιών του ίδιου του κατασκευαστικού οίκου του κινητήρα.



ΠΡΟΣΟΧΗ! Πρίν απο την χρήση προσθέτετε έλαιο στον κινητήρα (0.6 l).

ΕΚΚΙΝΗΣΗ ΚΙΝΗΤΗΡΑ (Fig.KII)

Αφού κάνετε όλες τί ενέργειες τακτοποίησης, προχωρείτε στην εκκίνηση του κινητήρα κατά τον εξής τρόπο:

α) Για κινητήρας με σύστημα "choke":

εάν ο κινητήρας είναι κρύοι, τοποθετείτε τον μοχλό επιταχυντήρα (Fig.K.III - 13) στην θέση START

β) Ενεργοποιείτε την λαβή φρένου (14) για να γίνει η εκκίνηση του κινητήρα, κρατάτε τον μοχλό πιεσμένο κατά της λαβής σε φάση εκκίνησης και κατά την χρησιμοποιήση τη μηχανής (λειτουργία φρένου του κινητήρα).

γ) Για κινητήρες με σύστημα "primer":

πιέζετε 3 ή 4 φορές την αντλία εμπλουτισμού (21) που βρισκεται στο καμπουράτε.

Τοποθετείτε τον μοχλό επιταχυντήρα (13) στην θέση MAX.

Για περαιτέρω επεξηγήσεις Σας συιστούμε να συμβουλευτείτε το εγχειρίδιο οδηγιών του ίδιου του κινητήρα.

δ) Εκκίνηση του κινητήρα:

ΧΕΙΡΟΚΙΝΗΤΗ ΕΚΚΙΝΗΣΗ (Κρατώντα' πιεσμένο το μοχλό φρένου κινητήρα (14)).

Παίρνετε την λαβή εκκίνησης (11) και τραβάτε το σχοινί χωρίς δύναμη μέχρις ότου νιώσετε την αντίσταση η οποία προκαλείται απο την συμπύεση, αφήνετε την λαβή και κατόπιν δίνετε ενα δυνατό τραβήγμα.

ΗΛΕΚΤΡΙΚΗ ΕΚΚΙΝΗΣΗ

Συνδέστε το φιλς (G) στην μπρίζα (H) στην μηχανή. Γυρίστε το κλειδί εκκίνησης (17).



ΠΡΟΣΟΧΗ! Το μαχαίρι αρχίζει να περιστρέφεται όταν ο κινητήρας αρχίζει να λειτουργεί.

Κρατάτε πιεσμένη την λαβή (14) κατά την λειτουργία. Αφήνοντάς την, ο κινητήρας σταματά.

ΚΟΠΗ (Fig.K.III - K.IV)

Προτού αρχίσετε το κόψιμο των χορταριών σπώχνετε με το χέρι την μηχανή ή συνδέετε την αυτόματη προώθηση.

Σύνδεση αυτόματης προώθησης: σηκώνετε την λαβή συμπλέκτη (18) και την κρατάτε πιεσμένη.



ΠΡΟΣΟΧΗ! η σύνδεση γίνεται μόνο με τον κινητήρα υπο λειτουργία.

Αποσύμπλεξη αυτόματης προώθησης: αφήνετε την λαβή συμπλέκτη.

ΕΚΔΟΣΗ ΜΕ ΦΡΕΝΟ ΣΤΟ ΜΑΧΑΙΡΙ (Fig.K.V)

Με τον κινητήρα σε λειτουργία, για την σύνδεση του μαχαριού πρέπει να τραβήξετε το χερουλί (14) προς την λαβή και το κρατάτε πιεσμένο. Σπώχνετε προ' τα εμπρο' τον μοχλό σύνδεση' μαχαριού (19), στο σημείο αυτό το μαχαίρι αρχίζει να περιστρέφεται.



ΠΡΟΣΟΧΗ! Αφήνοντα' το χερουλί (14), το μαχαίρι θα σταματήσει, ενώ ο κινητήρας θα συνεχίσει να λειτουργεί.

ΚΟΠΗ

Προτού αρχίσετε το κόψιμο των χορταριών σπώχνετε με το χέρι την μηχανή ή συνδέετε την αυτόματη προώθηση.

Σύνδεση αυτόματης προώθησης: σηκώνετε την λαβή συμπλέκτη (18) και την κρατάτε πιεσμένη.



ΠΡΟΣΟΧΗ! η σύνδεση γίνεται μόνο με τον κινητήρα υπο λειτουργία.

Αποσύμπλεξη αυτόματης προώθησης: αφήνετε την λαβή συμπλέκτη.

L

ΔΙΟΡΘΩΣΗ ΤΟΥ ΚΑΛΩΔΙΟΥ ΤΟΥ ΣΥΜΠΛΕΚΤΗ (Μόνο για τις αυτόματες εκδόσεις.)

Προσοχή εάν πιέζοντας την λαβή συμπλέκτη, η σύνδεση αυτόματης προώθησης δεν γίνεται, πρέπει να κάνετε την ρύθμιση του καλωδίου συμπλέκτη εισχωρώντας το ελατήριο (P) σε μια απο τις διαδοχικές οπές της πλακίστας (R) ή στην οπή (S).

M

ΣΥΝΤΗΡΗΣΗ



Προσοχή! Σβήνετε τον κινητήρα και βγάξτε το μπουζί προτού κάνετε ποιαδήποτε ενέργεια συντήρησης

- Ελέγχετε τακτικά την στάθμη ελαίου των τετράχρονων κινητήρων με εσωτερική καύση. Προσθέτετε ή αλλάζετε το έλαιο εάν χρειάζεται. Για περαιτέρω διευκρινήσεις συμβουλευτείτε το εγχειρίδιο οδηγιών του κινητήρα.
- Ελέγχετε περιοδικά το σφίξιμο των βίδων και των περιχοχλίων. Μετά το κόψιμο των χορταριών πρέπει να καθαρίζετε την μηχανή και στο κάτω και στο άνω μέρος. Μην αφήνετε χορτάρια κάτω απο το σασί.
- Μη χρησιμοποιείτε νερό για το εξωτερικό καθαρίσμα τη μηχανής. Μπορεί να προκαλέσει σοβαρές ζημιές στο σύστημα ηλεκτρικής εκκίνησης.
- Προσέχετε τον σιγαστήρα διαφυγής αερίων μπορεί να ...καίει.

- Ελέγχετε συχνά τα μαχαίρια για να βεβαιωθείτε οτι δεν έχουν υποστεί φθορές.
- Στο τέλος της κάθε εποχής καλό θα είναι η μηχανή να το γκαζόν να ελέγχετε απο ενα κέντρο σέρβις.
- Καθαρισμος υποσασί
Με την μηχανή σβησμένη και σταματημένη.
- Συνδέετε το κακό (22) επι του σασί με το ρουμπινέτο τροφοδοσία' νερού. Ανοίγνετε το ρουμπινέτο.
- Εκκινείτε τον κινητήρα (μαχαίρι σε περιστροφή) αφήνοντας το να λειτουργήσει για μερικά λεπτά.
- Αφού γίνει ο καθαρισμος σβήνετε τον κινητήρα. Κλείνετε το ρουμπινέτο, βγάξτε τον σωλήνα απο το κακόρσασί.

N

ΜΑΧΑΙΡΙ

- Για να βγάλετε το μαχαίρι (23) ξεβιδώνετε την βίδα (24).
- Ελέγχετε το στήριγμα μαχαιριού (25), την ροδέλα συμπλέκτη (26), το κλειδί (27) και την ροδέλα (28). Εάν είναι φθαρμένα ή ραγισμένα τα αντικαθιστάτε.
- Κατά την συναρμολόγηση βεβαιωθείτε ότι το κλειδί (27) είναι στην θέση του στον κινητήριο άξονα και ότι το μαχαίρι είναι συναρμολογημένο με την κοφτερή πλευρά προς την κατεύθυνση περιστροφής του κινητήρα. Η βίδα μαχαιριού (24) μπλοκάρει με ροπή σφιγκτήρα των 5,34 Knm (52,4Nm).

O

ΗΛΕΚΤΡΙΚΗ ΕΚΚΙΝΗΣΗ

- Προτού κάνετε την πρώτη εκκίνηση καλό θα είναι να κρατήσετε την μπαταρία υπο φόρτιση για 2-3 ώρες.

Εάν κατά την εκκίνηση η μπαταρία δείξει σημάδια ανεπάρκειας, την φορτίζετε για 24 ώρες. Μην επιμένετε πάνω από 5 δευτερόλεπτα για την κάθε εκκίνηση.

ΣΥΝΤΗΡΗΣΗ ΜΠΑΤΑΡΙΑΣ



ΠΡΟΣΟΧΗ

Για μια σωστή συντήρηση της μπαταρίας (31), ειδικά μετά από μια μεγάλη περίοδο απραξίας και για την φόρτιση δεν χρειάζεται να την βγάλετε από την θήκη αλλά προχωρείτε κατά τον εξής τρόπο:

- 1) Βγάλετε την επαφή (32)
- 2) Φυλάγετε την μπαταρία σε ξηρό και δροσερό μέρος
- 3) Φορτίζετε την μπαταρία πριν την χρήση σε θερμοκρασία περιβάλλοντος επί 24-36 ώρες.
- 4) Επαναφέρετε την επαφή (32) πριν την χρήση.

ΕΝΤΥΠΟ ΕΓΓΥΗΣΗΣ

Εάν ένα οποιοδήποτε από τα μέρη χαλάσει, εξαιτίας μιας ελαττωματικής επεξεργασίας κατά την περίοδο της εγγύησης, η Husqvarna Outdoor Products, διαμέσω των εξουσιοδοτημένων Κέντρων Επιδιορθώσεων που διαθέτει, θα πραγματοποιήσει δωρεάν την επισκευή ή την αντικατάσταση, πάντα εφόσον:

- a) Η βλάβη γνωστοποιήθηκε απευθείας στο εξουσιοδοτημένο κέντρο επιδιορθώσεων
- b) Παρουσιάζεται η απόδειξη αγοράς
- c) Η βλάβη δεν προκλήθηκε από ακατάλληλη χρήση, αμέλεια ή λανθασμένες ρυθμίσεις από την μεριά του χρήστη.
- d) Η βλάβη δεν οφείλεται στην φυσική φθορά από την χρήση
- e) Η μηχανή δεν έχει επιδιορθωθεί ή συντηρηθεί, αποσυναρμολογηθεί ή τροποποιηθεί από άτομα τα οποία δεν είναι εξουσιοδοτημένα από την Husqvarna Outdoor Products.
- f) Η μηχανή δεν έχει εννοικιαστεί σε άλλα άτομα
- g) Η μηχανή είναι ιδιοκτησία του αρχικού αγοραστή
- h) Η μηχανή δεν προορίζεται για εμπορική χρήση

● Βλάβες που οφείλονται σε μιά ή περισσότερες από τις αιτίες που αναφέρονται παρακάτω δεν καλύπτονται από την εγγύηση. Είναι λοιπόν πολύ σημαντικό να διαβάσετε τις οδηγίες που υπάρχουν στο Εγχειρίδιο για τους χρήστες και επίσης να καταλάβετε καλά την λειτουργία και τις διαδικασίες συντήρησης της μηχανής.

ΕΚΔΟΣΗ ΜΕ ΦΡΕΝΟ ΣΤΟ ΜΑΧΑΙΡΙ

- Για να βγάλετε το μαχαίρι (29) ξεβιδώνετε την βίδα (30).
- Ελέγχετε την κατάσταση του μαχαιριού και αντικαθιστάτε όλα τα μέρη που προκύπτουν χαλασμένα, επανασυναρμολογείτε χρησιμοποιώντας δυο βίδες (30) που πρέπει να σφικθούμ με 5,34 Kgm (52,4Nm).

ΜΠΑΤΑΡΙΑΣ



Η μπαταρία με το σύμβολο "χονταίνερ σκουπίδια διαγραμμένο" και με την ένδειξη του χημικού συμβόλου Pb (= μπαταρία με μόλυβδο) δεν πετιούνται στον κάδο των σπιτίσιων σκουπιδιών.



Ο χρήστης είναι υποχρεωμένος από τον νόμο να παραδίδει τισάχρηστες μπαταρίες στα ειδικά συγκεντρωτικά σημεία επεξεργασίας αποβλήτων ή στου ματαπωλητες

Βλάβες που δεν καλύπτονται από την εγγύηση:

- Αντικατάσταση των φθαρμένων ή χαλασμένων μαχαιριών
- Βλάβες που οφείλονται στο γεγονός ότι δεν γνωστοποιήθηκε η αρχική βλάβη
- Βλάβες που οφείλονται σε ξαφνική πρόσκρουση της μηχανής
- Βλάβες που οφείλονται στο γεγονός ότι δεν ακολουθήθηκαν οι οδηγίες και οι συστάσεις που αναφέρονται στο Εγχειρίδιο για τον χρήστη.
- Δεν καλύπτονται από την εγγύηση οι μηχανές που έχουν δοθεί σε εννοικίαση
- Τα μέρη που αναφέρονται παρακάτω θεωρούνται ως μέρη που φθείρονται και επομένως η διαρκεία τους εξαρτάται από την τακτική τους συντήρηση. Κατά συνέπεια δεν καλύπτονται από την εγγύηση, τα μαχαίρια, τα καλώδια τροφοδοσίας, ο μιάνας.

● ΠΡΟΣΟΧΗ

Εντός των όρων της παρούσας εγγύησης η Husqvarna Outdoor Products δεν αποδέχεται καμιά ευθύνη για ελαττώματα τα οποία εν μέρει ή εξ ολοκλήρου και άμεσα ή έμμεσα οφείλονται στην χρησιμοποίηση ανταλλακτικών μερών ή αξεσουάρ που δεν παράγονται ή δεν έχουν εξουσιοδοτηθεί από την Husqvarna Outdoor Products ή για τροποποιήσεις που έχουν προκληθεί με οποιοδήποτε τρόπο στην μηχανή.

ΕΟΚ ΔΗΛΩΣΗ ΣΥΜΜΟΡΦΩΣΗΣ

Εγώ ο υποφαινόμενος Bengt Ahlund της Husqvarna Outdoor Products Italia S.p.a., Via Como 72, 23868 Valmadrera (LC) δια του παρόντος πιστοποιώ ότι η Θερμωτική Μηχανή,

Κατηγορία

Περιστροφική Λεπίδα

Μάρκα

Husqvarna Outdoor Products

Συμμορφώνεται με τις προδιαγραφές της Οδηγίας 2000/14/ΕΟΚ

Τίρ..... A
Έκδοση..... B
Πλάτος κοπής C
Εγγυημένος ηχητικός βαθμός D
Μετρημένος ηχητικός βαθμός E
Επίπεδο ηχητικής πίεσης..... F
Κραδασμοί της χειρολαβής..... G

Είδος Κοπτικής Συσκευής..... *Περιστροφική Λεπίδα*

Αναγνώριση σειράς..... *Βλέπε ετικέτα αναλογίαι προϊόντος*

Διαδικασία Αξιολόγησης Συμμόρφωσης..... ANNEX VI

Οργανισμός Γνωστοποίησης Nr. 0470 - NEMKO AS

Gaustadalleen 30 - PO Box 73 Blindern

0314 OSLO - Norway

Άλλες Οδηγίες”..... 98/37/EC, 93/68/EEC, 2002/88/EC, 2004/108/EC

και με τα πρότυπα..... EN836, EN ISO14982, EN1033, EN ISO 3744, EN ISO11201



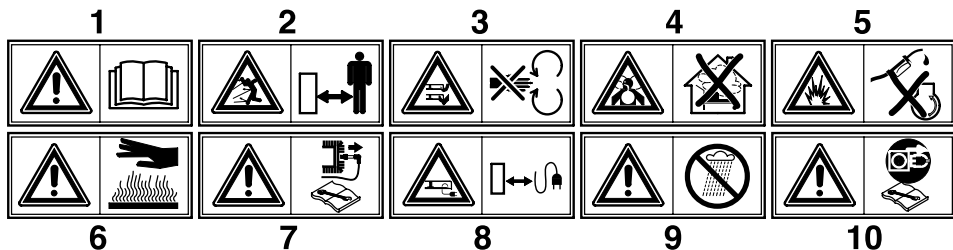
Bengt Ahlund
Γενικός Διευθυντής

Husqvarna Outdoor Product Italia S.p.A.

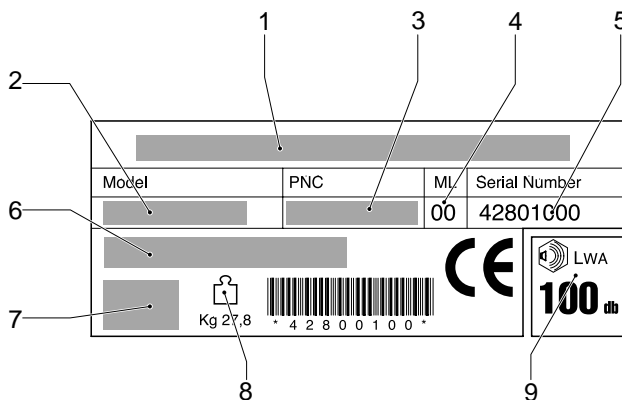
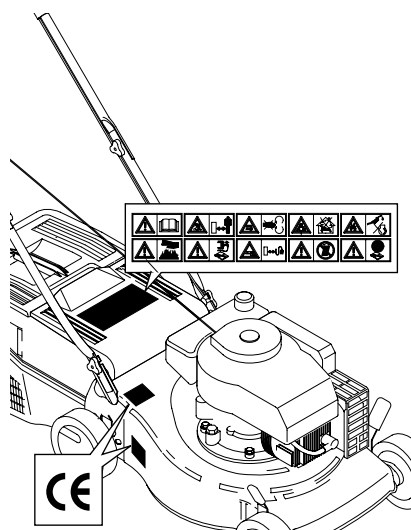
Via Como 72 - 23868 Valmadrera (LC)

3/08/2006

Děkujeme za Vaši důvěru, kterou jste projevili nákupem naší sekačky na trávu. Jsme přesvědčeni, že vysoká kvalita našich výrobků splní Vaše očekávání a sekačka Vám bude spolehlivě sloužit po dlouhou dobu. Než sekačku nastartujete, přečtete si pozorně tento návod k používání, který Vám poskytne všechny nezbytné informace týkající se použití stroje v souladu se základními bezpečnostními předpisy.



- 1 **Upozornění!** Než začnete sekačku používat, pozorně si prostudujte návod k používání.
- 2 V nebezpečné vzdálenosti se nesmí zdržovat cizí osoby!
- 3 **Pozor,** nebezpečí poranění rukou a nohou.
- 4 **Nebezpečí vdechování toxických plynů!** Výrobek nesmí být používán v uzavřených nebo nedostatečně větraných prostorech.
- 5 **Nebezpečí výbuchu!** Pohonné hmoty je zakázáno doplňovat pokud je motor v chodu.
- 6 **Výstraha!** Horký povrch.
- 7 **Výstraha!** Před zahájením jakékoli údržby stroje vypněte motor a odpojte kabel ze zapalovací svíčky.
- 8 **Zákaz pohybu cizích osob v nebezpečné zóně.**
- 9 **POZOR!** Chraňte před deštěm a vlhkem.
- 10 **Elektrický kabel nesmí přijít do blízkosti řezného nástroje.**



- 1 Výrobce
- 2 Model
- 3 Kód výrobku
- 4 Index varianty
- 5 Sériové číslo výrobku
- 6 Typ
- 7 Technické údaje motoru
- 8 Hmotnost
- 9 Hladina akustického výkonu

BEZPEČNOSTNÍ POKYNY

Bezpečnostní pokyny pro ruční rotační sekačka na trávu

DŮLEŽITÉ: *Tato traktorová sekačka dokáže useknout ruce a nohy a odmršťovat předměty. Nedodržení následujících bezpečnostních pokynů může mít za následek vážná nebo smrtelná poranění.*

I. Školení – Příprava

- Pečlivě si přečtete instrukce. Seznamte se s ovládacími prvky a správným použitím stroje.
- Nikdy nedovolte dítěti, nebo osobám, které nebyly seznámeny s tímto instrukcemi, aby použily sekačku. Sekačku nesmí obsluhovat osoby mladší 18 let.
- Nikdy nesekejte, pokud se v blízkosti pohybují lidé, zejména děti a domácí zvířata.
- Míjte vždy na paměti, že obsluha stroje nebo uživatel, je odpovědný za nehody nebo za rizika, způsobené jiným osobám nebo na jejich majetku.

II. Příprava

- Při sekání vždy noste pevnou obuv a dlouhé kalhoty. Sekačku neprovazujte, pokud jste bosí nebo v sandálech.
- Pečlivě prohlédněte pracovní plochu a odstraňte z ní všechny předměty, které by mohly být odmrštiny strojem.
- **VAROVÁNÍ** – Benzin je vysoce zápalný.
 - Skladujte palivo v nádobách specificky k tomu určených.
 - Palivo doplňujte pouze venku a nekuřte při doplňování paliva.
 - Palivo se doplňuje před nastartováním motoru. Nikdy nesnímejte víčko palivové nádrže, nebo nedoplňujte benzin, pokud je motor v chodu, nebo je horký.
 - Pokud rozlijete benzin, nepokoušejte se nastartovat motor, ale přemístíte stroj dál od místa rozliti. Vyhněte se vytvoření jakéhokoliv zdroje zapálení do doby, než budou benzínové páry rozptýleny.
 - Řádní dotáhněte víčka palivových nádrží a nádob.

- Vymíňte vadný tlumič výfuku.
- Před použitím, vizuální přezkoumajte, zda nejsou žací nože, upevňovací šrouby nožů a žací ústrojí, opotřebované nebo poškozené. Poškozené nebo opotřebované žací nože vymíňujte vždy v sadě společně s upevňovacími šrouby, aby bylo dodrženo správné vyvážení.
- U více nožových strojů, dbejte opatrnosti, jelikož otáčení jednoho nože může způsobit, že se roztočí druhý nož.

III. Provoz

- Neprovazujte stroj v uzavřeném prostoru, kde by mohlo dojít ke koncentraci nebezpečného kyslíčnicku uhelnatého.
- Se sekačkou pracujte pouze za denního světla nebo při dobrém umělém osvětlení.
- Pokud je možné, omezujte použití přístroje na mokré trávi.
- Vždy stůjte pevně na zemi.
- Choďte, nebihejte.
- V případě kotoučové sekačky, sekejte trávu vždy po směru svahu nikdy přímo vzhůru či dolů.
- Při otáčení ve sklonu dávejte velký pozor.
- Nepoužívejte sekačku na příliš prudké svahy.

- Dávejte velký pozor při otáčení nebo pohybu ve směru k sobě.
- Pokud potřebujete sekačku zvednout či přenést na jiné místo, nebo přemístit z a do místa práce, vypněte nože sekačky.
- Nikdy nepoužívejte sekačku s poškozeným ochranným krytem nebo bez nasazeného bezpečnostního zařízení, např. vychylovacích plechů či zásobnice.
- Nemíste nastavení regulátoru otáček a nepřetáčejte motor. Provozování motoru při nadměrných otáčkách, může zvýšit riziko osobního poranění.
- Před spuštěním motoru vypněte všechny nože a jejich pohon.
- Nastartujte nebo zapněte motor podle pokynů a s dostatečnou vzdáleností nožů od nohou.
- Při spuštění motoru nezvedejte sekačku, s výjimkou modelů, které je třeba při zapínání zvedat. V tomto případě, nezvedejte výše, než je nutné a zvedejte pouze tu část, která je od uživatele vzdálenější.
- Nezapínajte motor pokud stojíte na straně odpadního otvoru.
- Nestrekejte ruce a nohy do blízkosti nebo pod rotační nože. Vždy udržujte odpadní otvor volný.
- Nikdy nezvedejte a nepřenašejte sekačku při zapnutém motoru.
- Vypněte motor a vytáhněte napájecí kabel:
 - před odstraňováním materiálu ucpávajícího nůž nebo vyhazovací žlab;
 - před kontrolou, čištěním nebo údržbou traktoru;
 - po nárazu na cizí předmět. Zkontrolujte, zda není stroj poškozen a proveďte opravu před opitovným nastartováním a provozováním stroje;
 - začne-li stroj neobvykle vibrovat (provést kontrolu ihned).
- Vypněte motor:
 - vždy, když nepracujete;
 - před doplněním paliva.
- Sníže nastavení plynu v době dobíhu motoru a pokud je motor vybaven uzavíracím ventilem pro přívod paliva, zavřete jej po skončení práce.
- Když používáte vlečné sedadlo, pracujte pomalu.

IV. Údržba a Skladování

- Dbejte na to, aby všechny matice, svorníky a šrouby byly pevně utaženy, aby bylo zaručeno, že bude stroj při provozu bezpečný.
- Nikdy traktor neskladujte s benzinem v nádrži v místech, kde by výpary mohly přijít do styku s otevřeným ohněm, nebo jiskrami.
- Motor nechte vychladnout před uskladněním v uzavřených prostorách.
- Aby se snížilo nebezpečí požáru, udržujte motor, tlumič výfuku, skříň akumulátoru a prostor kde skladujete benzin, prostý od trávy, listí, nebo nadměrného množství mazacího tuku.
- Kontrolujte často opotřebení a poškození koše na trávu.
- Z bezpečnostních důvodů vymíňte opotřebované nebo poškozené díly.
- Má-li být palivová nádrž vyprázdňena, provádějte to venku.

A**POPIS STROJE**

- | | | | |
|----|--|----|---------------------------------|
| 1 | Horní rukojeť | 12 | Kryt vyhazovacího otvoru trávy |
| 2 | Spodní rukojeť | 13 | Páčka plynu |
| 3 | Šroub, pojistná křídlová matice horní rukojeti | 14 | Páka pro zastavení motoru |
| 4 | Koš na trávu | 15 | Redukční převodovka |
| 5 | Víčko nalévacího otvoru motorového oleje | 16 | Panel |
| 6 | Vypouštěcí otvor motorového oleje | 17 | Klíček zapalování |
| 7 | Kryt sekačky | 18 | Páka spojky/pojezdu sekačky |
| 8 | Páka pro nastavení výšky sečení | 19 | Páka brzdy žacího nože |
| 9 | Zapalovací svíčka | 20 | Páka regulace rychlosti pojezdu |
| 10 | Víčko palivové nádrže | 21 | Pumpička sycení |
| 11 | Rukojeť startovací šňůry motoru | | |

B**MONTÁŽ PYTLÉ/KOŠE PRO SBĚR TRÁVY****C****MONTÁŽ PŘEPÁŽKY** (není-li přimontovaná)**D****MONTÁŽ SPODNÍ RUKOJETI****E****MONTÁŽ HORNÍ RUKOJETI****F****MONTÁŽ KOL** (jen pro určité modely)**G****SEŘÍZENÍ RUKOJETI** (jen pro určité modely)**H****VLOŽENÍ UZÁVĚRU PRO MULČOVÁNÍ (MULCHING)** (jen pro určité modely)

Pro sekání trávy s mulčováním (bez sběru posekané trávy) nadzdvihněte přepážku, nasadte uzávěr a připevněte jej pružinou podle znázornění na obrázku.

I**NASTAVENÍ VÝŠKY SEČENÍ****J****BEZPEČNOSTNÍ POKYNY**

- Sekačku použijte s nasazeným sběracím košem na trávu nebo s připevněným ochranným krytem otvoru pro výhoz trávy.
- Vždy vypněte motor před tím, než sejmete koš na trávu nebo při nastavování výšky sečení.
- Nikdy nedávejte ruce ani nohy pod kryt sekačky nebo do otvoru pro vyhazování posečené trávy pokud je motor v chodu.

Než začnete sekat odstraňte z pracovní plochy všechny cizí předměty (kamení, kosti, dráty, hračky atp.), které by mohly být rotujícím nožem odhozeny. Při sečení pozorně sledujte, zda nějaké cizí předměty nezůstaly neodklizené.

Při startování motoru a sečení je zakázáno zvedat zadní část sekačky.

Nikdy nedávejte ruce ani nohy pod kryt sekačky nebo do otvoru pro vyhazování posečené trávy pokud je motor v chodu.

K PROVOZ

Seřízení motoru (obr.KI)

Postupujte dle instrukcí uvedených v Návodu k používání dodaném výrobcem motoru.



POZOR: Před uvedením motoru do provozu musí být do motoru nalito 0,6 litru motorového oleje pro čtyřtákní, vzduchem chlazené motory (třída SAE 30)

STARTOVÁNÍ MOTORU (obr.KII)

Jestliže byla sekačka řádně sestavena, postupujte při startování motoru následovně:

a) Motor se sytíčem:

Pokud je motor studený, posuňte páčku plynu (obr.KIII - 13) do polohy START.

b) Páku pro vypnutí motoru (14) přitáhněte směrem k horní rukojeti a držte ji stlačenou po dobu startování i vlastního provozu sekačky (touto pákou je ovládáno zastavení motoru).

c) Motor vybavený pomocnou pumpičkou:

Zmáčkněte 3 – 4 krát balónek pomocné pumpičky (21) umístěný v prostoru karburátoru a páčku plynu (13) posuňte do polohy MAX.

Další informace a vysvětlení o provozu motoru naleznete v Návodu k používání příslušného motoru.

d) Nyní nastartujte motor.

Ruční startování: (Páka pro vypnutí motoru (14) musí být stlačena k horní rukojeti)

● Uchopte startovací rukojeť (11) a pomalu vytažte startovací šňůru, dokud neucítíte slabý odpor způsobený kompresí v motoru. Pomalu vraťte šňůru startování a pak silně zatáhněte za startovací šňůru směrem dozadu.

Elektrický start: (Páka pro vypnutí motoru (14) musí být stlačena k horní rukojeti)

● Zasuňte zástrčku (G) do zásuvky (H) umístěné u motoru. Přidržte stlačenou páku pro vypnutí motoru (14) k horní rukojeti a otočte klíčkem zapalování (17).



VÝSTRAHA! Žací nůž se začne otáčet jakmile je motor nastartovaný. Toto neplatí pro sekačky vybavené brzdou nože.

V průběhu práce se sekačkou držte páku pro zastavení motoru (14) neustále stlačenou k přední rukojeti. Jakmile je páka uvolněna, motor se zastaví.

SEČENÍ (Obr. KIII - KIV)

Pro sečení trávy : tlačte sekačku ručně směrem dopředu nebo zapojte pojezd sekačky.

Jak se zapojí pojezd sekačky: Páku pro pojezd (18) stiskněte a přitlačte směrem k horní rukojeti a držte ji v této poloze.



UPOZORNĚNÍ: Páku pro pojezd aktivujte pouze když je motor v chodu.

Jak se vypíná pojezd sekačky : Uvolněte sevření páky pro pojezd sekačky.

VERZE S BRZDOU NOŽE (Obr. KV)

Jestliže je motor v chodu, přitlačte páku pro zastavení motoru (14) a držte ji neustále stlačenou k přední rukojeti. Nyní posuňte páku brzdy nože (19) směrem dopředu, aby se nůž začal otáčet.



VÝSTRAHA! Jakmile je páka brzdy motoru (14) uvolněna, nůž se zastaví, zatímco motor zůstává stále v chodu.

SEČENÍ

Pro sečení trávy : tlačte sekačku ručně směrem dopředu nebo zapojte pojezd sekačky.

Jak se zapojí pojezd sekačky: Páku pro pojezd (18) stiskněte a přitlačte směrem k horní rukojeti a držte ji v této poloze.



UPOZORNĚNÍ: Páku pro pojezd aktivujte pouze když je motor v chodu.

Jak se vypíná pojezd sekačky : Uvolněte sevření páky pro pojezd sekačky.

L REGULACE LANKA SPOJKY (jen pro samojízdné modely)

Důležité: Pokud se po stlačení ovládací páky pojezdu sekačka nerozjede, ovládací lanko seřídte tak, že pružinu (P) zasunete do některého z otvorů „R“ nebo „S“ (podle provedení sekačky), které jsou umístěny na ovládací páce.

M ÚDRŽBA



Výstraha! Vypněte motor a odpojte kabel zapalovací svíčky než zahájíte údržbu sekačky.

- U čtyřtákních motorů provádějte pravidelně kontrolu hladiny oleje a motorový olej vyměňte pokud je znečištěný, viz Návod k používání výrobce motoru.
- Pravidelně kontrolujte sekačku a zajistěte, aby byly odstraněny zbytky posekané trávy, které ulpěly na spodní části krytu sekačky.
- Nikdy nečistěte sekačku proudem vody ze shora : toto by mohlo vážně poškodit elektrický motor.
- Buďte opatrní, tlumič výfuku může být velmi horký.

- Pravidelně kontrolujte zda nedošlo k poškození žacího nože.
- Pravidelně prohlídky sekačky by měly být provedeny Autorizovaným servisním střediskem.
- Čištění spodku Traktorek stojí s vypnutým motorem.- Připojte přípojku (22) na spodku karoserie ke kohoutkupro přívod vody. Otevřete kohoutek.- Spusťte motor (nůž rotuje) a nechte jej v provozu po několik minut.- Po skončení čištění: vypněte motor, zavřete kohoutek,odpojte trubici od přípojky na spodku.

N ŽACÍ NŮŽ

- Při demontáži žacího nože (23) vyšroubujte šroub (24).
- Zkontrolujte stav unašeče žacího nože (25), podložky (26), klínku (27) a podložky (28) a vyměňte všechny součásti, které jsou poškozené.
- Při zpětné montáži dbejte na to, aby byl klínek (27) správně umístěn v zámku klikového hřídele a žací hrany nože byly postaveny ve směru otáček motoru. Upínací šroub nože (24) musí být dotažen silou utahovacího momentu 52,4 Nm.

O ELEKTRICKÝ START

- Před prvním nastartováním motoru je doporučeno, aby byla baterie nabíjena po dobu 2 – 3 hodin. Jestliže zjistíte v průběhu startování, že je baterie zčásti vybitá, nechejte ji nabíjet po dobu 24 hodin.
- Při startování držte klíček zapalování v poloze startování pouze 5 vteřin. Pokud motor nenaskočí, uvolněte klíček a pokus opakujte nejdříve po 10 vteřinách.

ÚDRŽBA BATERIE

DŮLEŽITÉ

Pro správnou údržbu baterie (31), zejména pak při přípravě na dlouhodobé uskladnění a pro dobíjení, není nutné vyjmát baterii z jejího pouzdra. V takovýchto případech postupujte dle níže popsaných kroků:

- 1) Rozpojte kabelový spoj (32)
- 2) Baterii skladujte na suchém, větraném místě.
- 3) Před použitím baterii dobíjejte při pokojové teplotě po 24 – 36 hodin.
- 4) Před použitím zapojte kabelový spoj (32).

ZÁRUKA A ZÁRUČNÍ POLITIKA

Pokud se zjistí vada některého dílu z důvodu chyby při výrobě během dvou let od nákupu, firma Husqvarna Outdoor Products prostřednictvím autorizovaných servisních oprav provede zákazníkovi opravu nebo výměnu zdarma za předpokladu, že:

- a) Vada je nahlášena přímo autorizované opravě.
- b) Je předloženo potvrzení o nákupu.
- c) Vada není způsobena nesprávným používáním, nedbalostí nebo nesprávným nastavením uživatelem.
- d) K vadě nedošlo běžným opotřebením.
- e) Na zařízení nebyl proveden servis nebo oprava, nebylo demontováno a nebyly na něm prováděny změny osobou, která není autorizovaná firmou Husqvarna Outdoor Products.
- f) Zařízení nebylo zapůjčováno.
- g) Zařízení je ve vlastnictví původního kupujícího.
- h) Zařízení nebylo používáno ke komerčním účelům.

- Tato záruka je dodatkem k zákonným právům zákazníka a žádným způsobem tato práva neomezuje.

Záruka nezahrnuje vady způsobené následujícími způsoby. Proto je důležité, abyste si přečetli pokyny v tomto Návodu k obsluze a porozuměli, jak provozovat a udržovat vaše zařízení:

VERZE S BRZDOU NOŽE

- Při demontáži žacího nože (29) vyšroubujte šroub (30).
- Překontrolujte stav žacího nože a vyměňte všechny poškozené díly. Při zpětné montáži připevněte nůž pomocí dvou šroubů (30) a dotáhněte silou utahovacího momentu 52,4 Nm.

LIKVIDACE BATERIE



Takové baterie, které jsou označeny symbolem „přeškrtnutá nádoba pro odpad“ a mající označení chemického prvku Pb (baterie obsahující olovo) nesmí být vyhozeny do nádob pro domovní odpad.



Konečný uživatel musí odnést nefunkční baterii do specializovaného střediska nebo vrátit tuto baterii autorizovanému prodejci.

Závady, které záruka nepokrývá:

- Výměna opotřebených nebo poškozených nůžů.
- Vady důsledkem nenahlášené počáteční vady.
- Vady důsledkem náhlého nárazu.
- Vady důsledkem toho, že tento výrobek nebyl používán v souladu s pokyny a doporučeními tohoto Návodu k obsluze.
- Zařízení, která jsou zapůjčována, tato zato záruka nekrývá.
- Následující součásti jsou považovány za opotřebovatelné a jejich životnost závisí na pravidelné údržbě. Proto nejsou běžně předmětem záruční pohledávky. Jsou to: bity, elektrický přívodní kabel, řemen

● Pozor!

Firma Husqvarna Outdoor Products nepřijímá zodpovědnost podle této záruky za vady způsobené zcela nebo částečně, přímo nebo nepřímo instalací nebo výměnou částí nebo instalací dodatečných částí, které nejsou vyrobeny nebo schváleny firmou Husqvarna Outdoor Products a nebo pokud bylo zařízení jakýmkoli způsobem modifikováno.

EC PROHLÁŠENÍ O SOULADU SE SMĚRNICÍ¹

Já, níže podepsaný Bengt Ahlund, Husqvarna Outdoor Products Italia Spa, Via Como 72, 23868 Valmadrera (LC), potvrzují, že sekačka:-

KategorieBenzínová kolová rotační
ZnačkaHusqvarna Outdoor Products
splňuje specifikace Směrnice 2000/14/EEC.

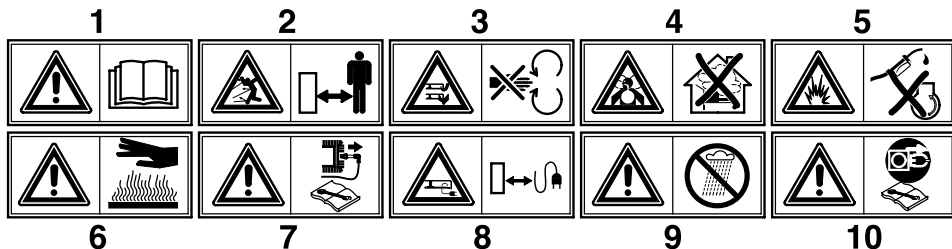
TypA
VerzeB
Šířka sekáníC
Zaručená hladina akustického výkonuD
Naměřená hladina akustického výkonuE
Hladina akustického tlakuF
Vibrace na rukojetiG

Typ řezného nástrojeRotační nůž
Identifikace SérieViz Štítek Technických Údajů Výrobku
Postup vyhodnocování souladuANNEX VI
Oznámeno orgánuNr. 0470 - NEMKO AS
Gautstadalleen 30 - PO Box 73 Blindern
0314 OSLO - Norway
Jiné směrnice98/37/EC, 93/68/EEC, 2002/88/EC, 2004/108/EC
a normyEN836, EN ISO14982, EN1033, EN ISO 3744, EN ISO11201

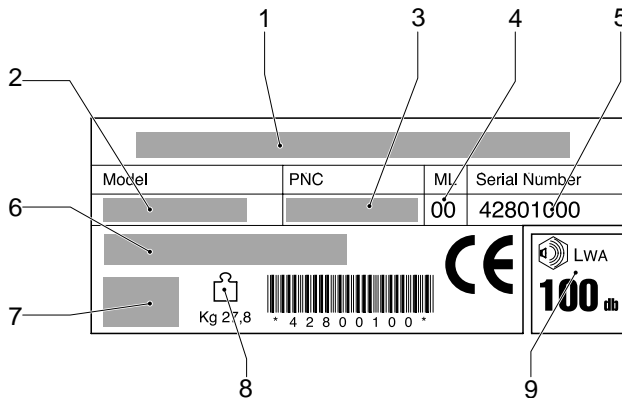
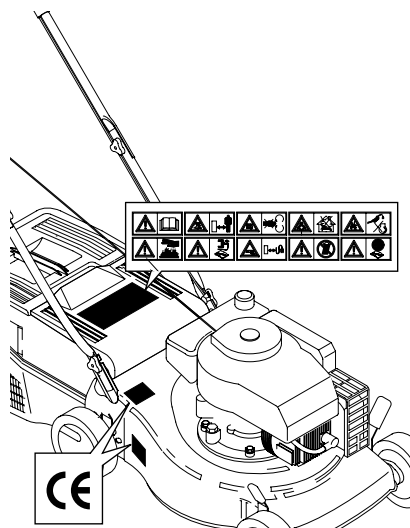

Bengt Ahlund
technický ředitel

Husqvarna Outdoor Product Italia S.p.A.
Via Como 72 - 23868 Valmadrera (LC)
3/08/2006

Ďakujeme za Vašu dôveru, ktorú ste prejavili kúpou našej kosačky na trávu. Sme presvedčení, že vysoká kvalita nášho prístroja splní Vaše očakávania a kosačka Vám bude veľmi dlho spoľahlivo slúžiť. Než stroj naštartujete, pozorne si prečítajte túto príručku, ktorá Vám poskytne všetky potrebné informácie týkajúce sa správneho použitia v súlade so základnými bezpečnostnými predpismi. bezpečnostnými predpismi.



- 1 **Upozornenie!** Než začnete prístroj používať, pozorne si prečítajte príručku.
- 2 Cudzie osoby sa nesmú zdržiavať v nebezpečnej vzdialenosti!
- 3 **Varovanie:** Nebezpečenstvo poranenia rúk a nôh.
- 4 **Nebezpečenstvo vdýchnutia toxických plynov!** Výrobok sa nesmie používať v uzatvorených alebo nedostatočne vetraných priestoroch.
- 5 **Nebezpečenstvo výbuchu!** Pohonné hmoty sa nesmú dopĺňať pri bežiacom motore!
- 6 **Upozornenie!** Horúci povrch.
- 7 **Upozornenie!** Pred zahájením akejkoľvek údržby prístroja vypnite motor a odpojte zapalovaciu sviečku.
- 8 Dozerajte na to, aby sa prívodný elektrický kábel nedostal pod žací nôž.
- 9 **Upozornenie!** Chráňte prístroj pred dažďom a vlhkosťou.
- 10 Pred zahájením akejkoľvek údržby žacieho noža vytiahnite elektrický kábel zo zásuvky.



- 1 Výrobca
- 2 Model
- 3 Výrobné číslo
- 4 Páčka pre údržbu
- 5 Sériové číslo
- 6 Typ
- 7 Špecifikácie motora
- 8 Hmotnosť
- 9 Hladina akustického výkonu

BEZPEČNOSTNÉ POKYNY

Predpisy pre bezpečnú obsluhu rotačných kosačiek na trávu s kráčajúcou obsluhou

DÔLEŽITÉ UPOZORNENIE: Tento žací stroj by mohol amputovať končatiny a vymrštiť predmety. Pri nedodržaní nasledovných bezpečnostných pokynov by mohlo dôjsť k vážnemu úrazu alebo smrti.

I. Zaškolenie

- Pozorne si prečítajte návod. Oboznámte sa s ovládacími tlačidlami a správnu obsluhu zariadenia.
- Nikdy nedovoľte, aby kosačku používali deti a ľudia, ktorí nie sú oboznámení s bezpečnostnými predpismi. Miestne predpisy môžu obmedzovať vek osôb obsluhujúcich zariadenie.
- Nikdy nekoste, ak sa v blízkosti nachádzajú ľudia, najmä deti, alebo domáce zvieratá.
- Pamätajte, že za nehody alebo ohrozenie druhých ľudí a ich majetku zodpovedá obsluha stroja alebo užívateľ.

II. Príprava

- Pri kosení vždy noste primeranú obuv a dlhé nohavice. Neobsluhujte zariadenie s bosými nohami alebo v sandáloch s otvorenou špičkou.
- Dôkladne preskúmajte plochu, na ktorej bude zariadenie použité, a odstráňte všetky predmety, ktoré by mohli stroj vymrštiť.
- **VYSTRÁHA** – Benzín je vysoko horľavý
- Benzín skladujte v kanistroch, ktoré sú na tento účel špeciálne určené.
- Palivo doplňajte iba mimo budovy, na otvorenom priestore, a pri dopĺňaní paliva nefajčite.
- Palivo pridajte pred spustením motora. Nikdy neodstraňujte vrchnák palivovej nádrže a nikdy nedoplňajte benzín, pokiaľ beží motor, alebo pokiaľ je motor horúci.
- Ak dôjde k vyliatiu benzínu, nikdy sa nepokúšajte spustiť motor, ale odsuňte stroj z priestoru, v ktorom došlo k vyliatiu, a vyvarujte sa vytvoreniu akéhokoľvek zápalného zdroja, pokiaľ sa benzínové pary nerozptýlia.
- Pevne nasadzte všetky vrchnáky palivových nádrží a ostatných nádob
- Vymeňte chybné tlmiče.
- Pred použitím vždy skontrolujte, či nie sú nože, skrutky žacích nožov a žací mechanizmus opotrebované alebo poškodené. Všetky opotrebované a poškodené nože alebo skrutky vymeňte naraz, aby ste zachovali rovnováhu.
- Na strojach s viacerými nožmi buďte opatrní, pretože rotácia jednej lamely môže vyvolať rotáciu ostatných nožov.

III. Obsluha

- Neobsluhujte stroj v obmedzenom priestore, kde sa môžu zhromažďovať nebezpečné plyny oxidu uhoľnatého.
- Koste iba cez deň alebo pri dobrom umelom osvetlení.
- Pokiaľ je to možné, vyvarujte sa obsluhu stroja na mokrej tráve.
- Na svahoch sa vždy ubezpečte, či stojíte na pevnej pôde.
- Prístroj obsluhujte za chôdze, nikdy nebežte. Pri kosačkách s kolesami koste naprieč svahom, nikdy nekoste smerom hore a dolu z kopca.
- Pri zmene smeru na svahoch buďte zvlášť opatrní. Nekoste nadmerne strmé svahy.

- V prípadoch, kedy meníte smer, alebo ťaháte kosačku smerom k sebe, buďte nadmieru opatrní.
 - Zabrzdíte žací nôž, ak je kosačku potrebné nakloniť počas prevozu, keď prechádzate nezatrávnými povrchmi, a keď presúvate kosačku z a na miesto kosenia.
 - Nikdy neobsluhujte kosačku s chybnými ochrannými krytmi a bez bezpečnostných zariadení, napríklad bez defl ektorov alebo zberných košov na trávu.
 - Nemeňte nastavenie regulátora motora a nevytáčajte motor do vysokých otáčok. Obsluha motora pri nadmernej rýchlosti môže zvýšiť nebezpečenstvo zranenia.
 - Pred spustením motora rozpojte žací mechanizmus (uvoľnite všetky žacie lišty) a vyradte spojku pohonu zo záberu.
 - Pri zapínaní stroja a spúšťaní motora postupujte opatrne, podľa návodu a s nohami v dostatočnej vzdialenosti od noža.
 - Pri zapínaní stroja a spúšťaní motora nenakláňajte kosačku, s výnimkou prípadov, kedy je kosačku pre naštartovanie potrebné nakloniť. V tomto prípade nevychýľujte kosačku viac, ako je potrebné, a zdvihnite iba tú časť, ktorá je od obsluhy vzdialená.
 - Nespúšťajte stroj, keď stojíte pred tunelom pre vyhadzovanie trávy.
 - Ruky a nohy neumiestňujte pod otáčajúce sa časti a do ich blízkosti. Vždy stojte mimo otvorov pre vyhadzovanie trávy.
 - Kosačku nikdy nedvíhajte a neprenášajte, pokiaľ je spustený motor.
 - Zastavte stroj a odpojte zapalovacie káble sviečky:
- pred čistením upchatých miest a tunela na vyhadzovanie trávy;
- pred kontrolou, čistením a údržbou kosačky;
- ak zasiahnete neznámy predmet. Skontrolujte, či kosačka nie je poškodená, a vykonajte opravy pred tým, ako kosačku opätovne spustíte a budete obsluhovať;
- ak kosačka začne nadmerne vibrovať (ihneď skontrolujte).
 - Zastavte stroj:
- kedykoľvek sa od kosačky vzdialite;
- pred tým, ako doplníte palivo
 - Nastavenie škrtiacej klapky uveďte do správnej polohy, keď je stroj zastavený; ak je súčasťou vybavenia stroja poistný uzatvárací ventil, pri ukončení kosenia odpojte prívod paliva.
- ## IV. Údržba a uskladnenie
- Udržiavajte všetky matice a skrutky pevne utiahnuté, aby ste tak zabezpečili bezpečné prevádzkové podmienky stroja.
 - Zariadenie s benzínom v nádrži nikdy neuskladňujte vo vnútri budovy, v ktorej by mohli plyny dosiahnuť otvorený oheň alebo iskra.
 - Umožnite ochladenie motora skôr, ako ho uskladníte v akomkoľvek ohradenom priestranstve.
 - Nebezpečenstvo ohňa znížte tým, že uskladníte stroj, tlmič, úložný priestor batérie, ako aj úložný priestor pre benzín očistené od trávy a nadmerného maziva.
 - Často kontrolujte, či nie je zberný kôš na trávu opotrebovaný alebo poškodený.
 - Opotrebované alebo poškodené časti vymeňte z bezpečnostných dôvodov.
 - Ak je potrebné vyprázdniť palivovú nádrž, malo by sa tak stať mimo budovu.

A**POPIS**

1	Horné rúčky	12	Kryt vyhadzovacieho otvoru trávy
2	Dolné rúčky	13	Páčka plynu
3	Poistná krídlová matica pre horné rúčky	14	Páka zastavenia motora
4	Kôš na trávu	15	Redukčná prevodovka
5	Viečko plniaceho otvoru motorového oleja	16	Panel
6	Vypúšťací otvor motorového oleja	17	Kľúč zapalovania
7	Kryt	18	Páčka spojky
8	Páka nastavenia výšky kosenia	19	Páka brzdy žacieho noža
9	Zapaľovacia sviečka	20	Páka regulácie rýchlosti jazdy
10	Viečko palivovej nádrže	21	Čerpadlo sytenia
11	Rukoväť štartovacej šnúry motora		

B**PRIPEVNIENIE KOŠA NA TRÁVU****C****PRIPEVNIENIE ODKLOŇOVAČA** (ak už nie je pripevnené)**D****PRIPEVNIENIE DOLNÝCH RÚČOK****E****PRIPEVNIENIE HORNÝCH RÚČOK****F****PRIPEVNIENIE KOLIESOK** (ak už nie je pripevnené)**G****NASTAVENIE RÚČOK** (ak už nie je pripevnené)**H****VLOŽENIE UZÁVERU PRE MULČOVANIE** (k dispozícii len pri niektorých modeloch)

Ak chcete kosiť trávu s mulčovaním (bez zberu pokosenej trávy) zodvihnite priehradku, nasadte uzáver a pripevnite ju pružinou podľa obrázka.

I**NASTAVENIE VÝŠKY KOSENIA** (k dispozícii len pri niektorých)**J****BEZPEČNOSTNÉ POKYNY**

- Kosačku vždy používajte so správne nasadeným odkloňovačom alebo zberným košom.
- Vždy vypnite motor pred odstránením koša na trávu alebo pri nastavovaní výšky kosenia.
- Nikdy nedávajte ruky ani nohy pod kryt kosačky alebo do otvoru pre vyhadzovanie pokosenej trávy, keď je motor zapnutý.

Pred kosením odstráňte z trávniku všetky cudzie predmety, ktoré by mohli byť odhodnené rotujúcim nožom. Počas kosenia pozorne sledujte, či na trávniku nezostali cudzie predmety.

Pri štartovaní motora alebo počas kosenia nikdy nezdvíhajte zadnú časť kosačky. Nikdy nedávajte ruky ani nohy pod kryt kosačky alebo do otvoru pre vyhadzovanie pokosenej trávy, keď je motor zapnutý.

K PREVÁDZKA

NASTAVENIE MOTORA (obr. K1)

Postupujte podľa pokynov uvedených v návode na údržbu dodanom výrobcom motora.



UPOZORNENIE:- Pred použitím sa do motora musí naliať 0,6 litra motorového oleja.

ŠTARTOVANIE MOTORA (obr. K11)

AK bola kosačka riadne zostavená, postupujte pri štartovaní motora nasledovne:

a) Motor so sytičom:

Ak je motor studený, posuňte páčku plynu (obr. K11, č.13) do polohy START.

b) Páku vypnutia motora (14) pritiahnite smerom k hornej rukoväti a držte ju stlačenú po dobu štartovania a vlastnej prevádzky kosačky (touto pákou je ovládané zastavenie motora).

c) Motor vybavený pomocným čerpadlom:

Stlačte 3 – 4 krát balónik pomocného čerpadla (21) umiestnený v priestore karburátora a páčku plynu (13) posuňte do polohy MAX.

Ďalšie informácie a vysvetlenie prevádzky motora nájdete v návode na používanie príslušného motora.

d) Naštartujte motor.

RUČNÍ ŠTARTOVANIE: (Páka vypnutia motora (14) musí byť stlačená k hornej rukoväti.)

● Uchopte štartovaciu rukoväť (11) a pomaly vyťahujte štartovaciu šnúru, kým nezacítíte slabý odpor spôsobený kompresiou v motore. Pomaly vráťte šnúru štartovania a potom silno zatiahnite za štartovaciu šnúru smerom dozadu.

ELEKTRICKÝ ŠTART: (Páka vypnutia motora (14) musí byť stlačená k hornej rukoväti.)

● Zasuňte zástrčku (G) do zásuvky (H) na stroji. Otočte kľúčikom zapalovania (17).



UPOZORNENIE: Žací nůž sa začne otáčať ihneď po spustení motora.

Počas práce s kosačkou držte páku zastavenia motora (14) neustále stlačenú k prednej rukoväti. Akonáhle páku uvoľníte, motor sa zastaví.

KOSENIE (obr. K111 - K114)

Trávu pokosíte ručným tlačením kosačky smerom dopredu, prípadne môžete zapojiť automatický podvozok kosačky.

Zapojenie podvozku kosačky: Zdvihnite páčku spojky (18) a nechajte ju v tejto polohe.



UPOZORNENIE: Páku pre jazdy aktivujte jedine vtedy, keď je motor v činnosti.

Odpojenie podvozku kosačky: Uvoľnite páčku spojky.

VERZIA S BRZDOU NOŽA (obr. KV)

Ak je motor v činnosti, pritlačte páku zastavenia motora (14) a držte ju neustále stlačenú k prednej rukoväti. Teraz posuňte páku brzdy noža (19) smerom dopredu, aby sa nůž začal otáčať.



VAROVANIE! Akonáhle je páka brzdy motora (14) uvoľnená, nůž sa zastaví, kým motor zostáva stále v činnosti.

KOSENIE

Trávu pokosíte ručným tlačením kosačky smerom dopredu, prípadne môžete zapojiť automatický podvozok kosačky.

Zapojenie podvozku kosačky: Zdvihnite páčku spojky (18) a nechajte ju v tejto polohe.



UPOZORNENIE: Páku pre jazdy aktivujte jedine vtedy, keď je motor v činnosti.

Odpojenie podvozku kosačky: Uvoľnite páčku spojky.

L

NASTAVENIE LANKA SPOJKY (len pri modeloch s vlastným pohonom)

Poznámka: Ak sa po stlačení páčky spojky kosačka nezačne sama pohybovať, ovládacie lanko nastavte tak, že pružinu (P) zasuniete do niektorého z po sebe idúcich otvorov v doske (R), alebo do otvoru „S“.

M

ÚDRŽBA



Upozornenie! Pred zahájením akejkoľvek údržby prístroja vypnite motor a odpojte zapalovaciu sviečku.

- U štvrtaktých motorov vykonávajte pravidelne kontrolu hladiny oleja a motorový olej vymeňte, ak je znečistený. Ďalšie pokyny nájdete v PRÍRUČKE MOTORA.
- Pravidelne kontrolujte kosačku a zaisťte, aby boli odstránené zvyšky pokosenej trávy, ktoré sa prichytili na spodnej časti krytu kosačky.
- Nikdy nečistíte kosačku tak, že na ňu vylejete vodu: mohol by sa tým vážne poškodiť systém elektrického štartéra.
- Buďte opatrní, tlmič výfuku môže byť veľmi horúci.
- Pravidelne kontrolujte, či nie je poškodený žací nůž.

- Kosačku je treba nechať pravidelne prekontrolovať Autorizovaným servisným strediskom.
- Čistenie spodku
Kosačka stojí s vypnutým motorom.
- Pripojte prípojku (22) na kohútik prívodu vody spodku karosérie. Otvorte kohútik.
- spustte motor (žací nůž rotuje) a nechajte ho niekoľko minút zahrievať.
- po dokončení čistenia vypnite motor, zatvorte kohútik a odpojte hadicu od prípojky na spodku karosérie.

N ŽACÍ NŮŽ

- Pri demontáži žacieho noža (23) vyskrutkujte skrutku (24).

Skontrolujte stav unášača žacieho noža (25), podložky (26), klinu (27) a podložky (28) vymeňte všetky súčiastky, ktoré sú poškodené.

- Pri späťnej montáži dbajte na to, aby bol klin (27) správne umiestnený v zámku kľukového hriadeľa a žacie hrany noža boli postavené v smere rotácie motora. Uťahovacia skrutka noža (24) musí byť dotiahnutá silou uťahovacieho momentu 5,34 Kgm (52,4 Nm).

O ELEKTRICKÝ ŠTART

- Pred prvým naštartovaním motora sa odporúča, aby sa batéria nabíjala po dobu 2 –3 hodín.

Ak počas štartovania zistíte, že je batéria sčasti vybitá, nechajte ju nabíjať po dobu 24 hodín.

Pri štartovaní držte kľúč zapalovania v polohe štartovania iba 5 sekúnd

ÚDRŽBA BATÉRIE

POZNÁMKA



Pre správnu údržbu batérie (31), hlavne pri príprave na dlhodobé uskladnenie a dobíjaní, nie je nutné vyberať batériu z jeho puzdra. V takýchto prípadoch postupujte podľa týchto krokov:

- 1) Rozpojte káblový spoj (32).
- 2) Batériu skladujte na suchom a vetranom mieste.
- 3) Pred použitím batériu dobíjajte pri izbovej teplote po 24 – 36 hodín.
- 4) Pred použitím zapojte káblový spoj (32)

ZÁRUČNÝ LIST A POISTENIE

Ak sa počas dvoch rokov od pôvodného zakúpenia výrobku nájde nejaká jeho časť chybná, a ak je táto chyba zapríčinená výrobcom, prevádzkou Husqvarna Outdoor Products v autorizovanom servisnom stredisku opravu alebo výmenu výrobku zdarma, a poskytnú:

- a) Vada bola zahlásená priamo schválenému servisnému oddeleniu.
- b) Predložíte doklad o kúpe.
- c) Vada nebola spôsobená nesprávnym zaobchádzaním, zanedbaním, alebo nesprávnym nastavením zapríčineným užívateľom.
- d) Vada nebola spôsobená neprimeraným opotrebovaním.
- e) Stroj nebol opravovaný, rozoberaný, alebo ním nebolo neodborne manipulované osobami, ktoré nemajú oprávnenie od firmy Husqvarna Outdoor Products.
- f) Stroj nebol prenájatý.
- g) Stroj je vo vlastníctve pôvodného majiteľa.
- h) Stroj nebol použitý na komerčné účely.

- Táto záruka je dodatkom a v žiadnom prípade neobmedzuje výhradné práva zákazníka.

Nasledujúce vady nie sú kryté poistením, preto je dôležité prečítať si návod obsiahnutý v tejto príručke a porozumieť obsluhu a údržbe Vášho stroja.

VERZIA S BRZDOU NOŽA

- Pri demontáži žacieho noža (29) vyskrutkujte obe skrutky (30).
- Skontrolujte stav žacieho noža, vymeňte prípadne poškodené súčasti a potom ho znovu zložte pomocou dvoch skrutiek (30), ktoré musia byť dotiahnuté silou uťahovacieho momentu 5,34 Kgm (52,4 Nm).

LIKVIDÁCIA BATÉRIE



Batérie, ktoré sú označené symbolom „preškrtnutá nádoba na odpad“ a majú označenie chemického prvku Pb (batérie obsahujúce olovo), nesmú byť vyhodnené do nádob na domáci odpad.



Koncový používateľ musí odnieť nefunkčnú batériu do špecializovaného strediska alebo ju vrátiť autorizovanému predajcovi.

Poruchy na ktoré sa záruka nevzťahuje:

- Náhrada opotrebovaných, alebo poškodených čepelí.
- Poruchy spôsobené v dôsledku neohlásenia pôvodnej vady.
- Poruchy spôsobené prudkým nárazom.
- Poruchy spôsobené nesprávnym používaním, ktoré sa nezhoduje s pokynmi a doporučeniami, ktoré sú obsiahnuté v tejto príručke na obsluhu.
- Záruka sa nevzťahuje na stroje určené na prenájom.
- Nasledujúce časti sú pokladané za časti, ktoré podliehajú opotrebovaniu a ich životnosť závisí na pravidelnej údržbe. Preto za normálnych okolností nepodliehajú reklamácii: čepele, elektrický kábel, remeň

● Upozornenie!

Husqvarna Outdoor Products podľa reklamačných ustanovení neakceptuje zodpovednosť za poruchy spôsobené čiastočne, alebo výhradne, priamo, alebo nepriamo inštaláciou, alebo náhradou častí, alebo náhradných súčiastok, ktoré nie sú vyrobené, alebo schválené Husqvarna Outdoor Products. Tiež neakceptuje zodpovednosť za poruchy spôsobené na strojoch, ktoré boli upravované.

EC PREHLÁSENIE O PRÁVNEJ SPÔSOBILOSTI TOVARU'

Ja, dolupodpísaný, Bengt Ahlund, Husqvarna Outdoor Products Italia Spa, Via Como 72, 23868 Valmadrera (LC) týmto potvrdzujem, že kosačka:

KategóriaBenzínová koliesková rotačná

VýrobaHusqvarna Outdoor Products

Vyhovuje špecifikáciám uvedeným v Norme 2000/14/EEC.

Typ.....A

Verzia.....B

Šírka skosu.....C

Garantovaný stupeň sily zvuku.....D

Nameraný stupeň sily zvuku.....E

Hladina akustického výkonu.....F

Vibrácia rúčky.....G

Typ rezného telesa.....Rotačný nôž

Identifikácia série.....Vid Štítok Parametrov Výrobku

Postupy určenia právnej spôsobilosti tovaruANNEX VI

Informované orgány.....Nr. 0470 - NEMKO AS

Gaustadalleen 30 - PO Box 73 Blindern

0314 OSLO - Norway

Ďalšie nariadenia98/37/EC, 93/68/EEC, 2002/88/EC, 2004/108/EC

a normámEN836,EN ISO14982,EN1033,EN ISO 3744,EN ISO11201



Bengt Ahlund
Technický riaditeľ

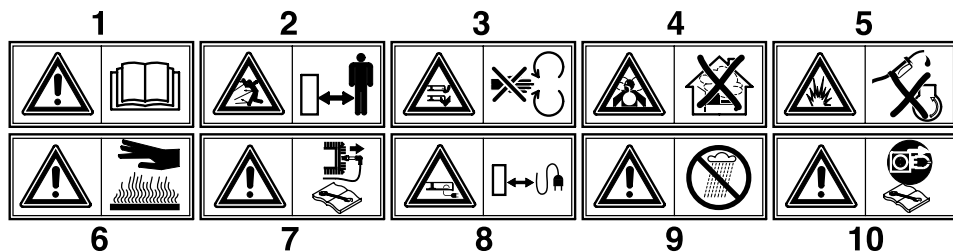
Husqvarna Outdoor Products Italia spa.

Via Como 72 - 23868 Valmadrera (LC)

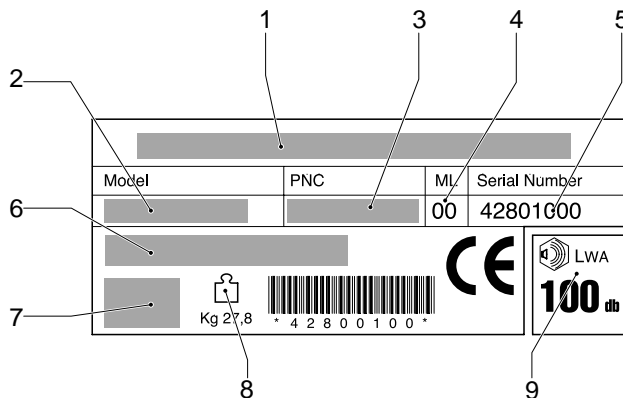
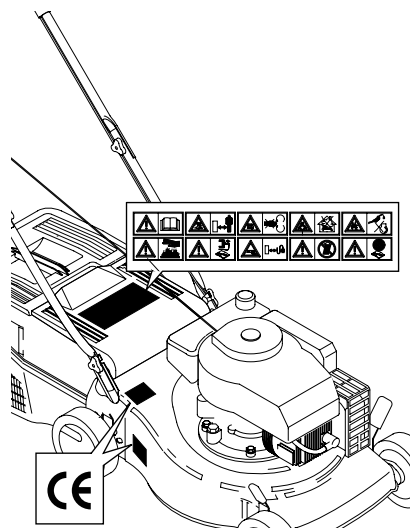
3/08/2006

Gratulujemy Państwu zakupu naszej kosiarki do trawy jesteśmy pewni, że będziecie Państwo usatysfakcjonowani wysoką jakością naszego produktu.

Prosimy o uważne przeczytanie całej instrukcji obsługi i szczegółowe zapoznanie się ze wskazaniami dotyczącymi bezpieczeństwa użytkownika urządzenia.



- 1 **Uwaga!** Przed użyciem przeczytać instrukcję obsługi.
- 2 Osoby postronne nie powinny przebywać w zasięgu pracy urządzenia.
- 3 **Uwaga,** wirujący nóż niebezpieczeństwo zranienia rąk i nóg.
- 4 **Niebezpieczeństwo wdychania gazów trujących!** Nie używać urządzenia w pomieszczeniach zamkniętych lub o słabym przewietrzeniu.
- 5 **Niebezpieczeństwo wybuchu!** Nie przelewać paliwa przy zapalonym silniku
- 6 **Uwaga!** Powierzchnia gorąca
- 7 **Uwaga!** Przed wykonaniem jakiegokolwiek konserwacji zgasić silnik zdjąc przewód ze świecy
- 8 Przewód zasilający nie może znajdować się w zasięgu pracy noża.
- 9 **Uwaga!** Zabezpieczyć przed deszczem i wilgocią.
- 10 Odlączyć przewód zasilający w przypadku wykonywania czynności serwisowych



- 1 Producent
- 2 Model
- 3 Kod wyrobu
- 4 Wskaźnik zmiany
- 5 Numer serii
- 6 Typ
- 7 Charakterystyka silnika
- 8 Ciężar
- 9 Poziom Mocy Akustycznej

WYMOGI BEZPIECZEŃSTWA

Przepisy Bezpieczeństwa

Zachowac niniejszą instrukcję obsługi dla ewentualnych późniejszych informacji.

Operator

- Przeczytaj uważnie instrukcję obsługi i upewnij się, że znasz działanie wszystkich urządzeń sterujących.
- Pamiętaj, że operator lub użytkownik jest odpowiedzialny za wypadki lub zagrożenia dla osób postronnych lub ich własności.
- Zawsze noś długie, grube spodnie i buty; nigdy nie pracuj w krótkich spodniach, sandałach lub boso.
- Upewnij się, że powierzchnia robocza jest wolna od kamieni, patyków lub kawałków drewna. Obiekty te mogą być odrzucone od maszyny i spowodować zranienie lub uszkodzenie sprzętu. Unikaj przejeżdżania przez wyżyrowane ścieżki itp.
- Nigdy nie uruchamiaj silnika i nie pozwól mu pracować w zamkniętych pomieszczeniach. Wdychanie gazów spalinyowych może spowodować śmierć.
- Nie pozwalaj nikomu, zwłaszcza dzieciom, przebywać na powierzchni roboczej w czasie pracy.
- Kosiarki nie wolno użytkować dzieciom, ani osobom, które nie zapoznały się z niniejszą instrukcją.
- Zwróć szczególną uwagę podczas zmiany biegów oraz pchając kosiarkę swoim kierunkiem.
- Przed włączeniem silnika odłącz przrząd uruchamiający noże i mechanizm napędu.

Narzędzie

- Przejrzyj całą maszynę przed każdym użyciem. Wymień uszkodzone części. Sprawdź, czy nie ma wycieków paliwa i upewnij się, czy wszystkie mocowania są na miejscu i czy są odpowiednio dociągnięte.
- Wymień nadmierny tłumik.
- Przed uruchomieniem zawsze sprawdź wizualnie, czy noże, ich śruby oraz cały zespół tnący nie są zużyte lub uszkodzone. Wymieniaj zużyte lub uszkodzone noże i śruby zestawami, aby zachować wyważenie.

Paliwo

- UWAGA - benzyna jest oerodkiem łatwopalnym.
- Nalewaj paliwo na zewnątrz pomieszczeń i, gdzie nie ma iskr i otwartego płomienia.
- Stosuj kanister dopuszczony do przechowywania paliwa.
- Nie pal i nie pozwalaj palić w pobliżu paliwa, maszyny oraz w czasie pracy maszyną.
- Przed włączeniem silnika wyczyść ewentualne resztki paliwa i poczekaj aż zapach paliwa ulotni się.
- Zanim uruchomisz silnik, odejdź przynajmniej 3 metry od miejsca, w którym nalewałś paliwo.
- Zatrzymaj silnik przed otwarciem wlewu paliwa.
- Przed włączeniem silnika nastawic zatyczkę od paliwa oraz korek od zbiornika paliwa zapasowego.
- Nie wlewaj paliwa kiedy silnik jest gorący.
- Nie zmieniać ustawienia regulacji szybkości silnika oraz nie używać silnika przynadmiernej szybkości.
- Jeś li zajdzie taka potrzeba, opróżnić zbiornik z paliwem.

Koszenie

- Unikac jeśli to możliwe koszenia mokrej trawy.
- Zwrócić szczególną uwagę podczas zmiany biegów oraz pchając kosiarkę swoim kierunkiem.

- Koszenie na pochyłościach terenu może być niebezpieczne. Nie kosć na bardzo stromych pochyłościach. Poruszać się wzdłuż pochyłości, w żadnym przypadku w górę i w dół pochyłości. Zachować szczególną uwagę przy nawracaniu na terenie pochyłym.
- Nigdy nie transportuj kosiarki z pracującym silnikiem. Jeśli kosiarka musi być podniesiona, operator musi przedtem upewnić się, że nóż tnący zatrzymał się.
- Nigdy nie pracuj kosiarką z uszkodzonymi zabezpieczeniami i osłonami lub bez zamontowanych urządzeń bezpieczeństwa, np.
- Uruchamiaj i zatrzymuj silnik ostrożnie, zgodnie z instrukcją; stopy trzymaj z daleka od ostrza(y).
- Nie przechylaj kosiarki w czasie uruchamiania lub włączania silnika (za wyjątkiem przypadków, kiedy kosiarka musi być przechylona w celu uruchomienia; w tym przypadku nie przechylaj jej bardziej, niż jest to absolutnie konieczne i podnoś tylko tę część, która jest oddalona od operatora).
- Nie uruchamiaj silnika, kiedy stoisz naprzeciwko wylotu trawy.
- Trzymaj ręce i stopy z daleka od obracającego się noża. W przypadku modeli z otwartym wylotem, nigdy nie wkładaj ręki w gardziel wylotu.
- Nigdy nie podnoś i nie przenoś kosiarki przy pracującym silniku.
- Zatrzymaj silnik i odłącz przewód wysokiego napięcia odświecy zapłonowej zanim przystąpisz do sprawdzania przyczyn zablokowania kosiarki, ich usuwania, czyszczenia wylotu, czyszczenia lub jakiegokolwiek prac przy kosiarce, po uderzeniu w obcy obiekt. W tym ostatnim przypadku sprawdź uszkodzenia i napraw je przed ponownym uruchomieniem i rozpoczęciem pracy. Zatrzymaj silnik i odłącz przewód wysokiego napięcia odświecy zapłonowej również wtedy, gdy kosiarka znacznie nienormalnie wibruje (natychmiast sprawdź przyczynę), zanim opuścisz maszynę oraz przed przystąpieniem do uzupełniania paliwa.
- Po zakończeniu koszenia ustaw włącznik w pozycji STOP, natomiast zawór zatrzymujący paliwo w pozycji OFF.

Obsługa Maszyny

- Regularnie sprawdzaj, czy śruby i nakrętki są odpowiednio dokręcone. Wymieniaj natychmiast uszkodzone części. Stosuj tylko oryginalne części zamienne.
- Przechowuj maszynę i paliwo w miejscach, gdzie opary paliwa nie będą mogły zetknąć się z iskrami lub otwartym płomieniem z palenisk, podgrzewaczy wody, silników elektrycznych, włączników itp.
- Pozwól silnikowi ostygnąć przed umieszczeniem maszyny w zamkniętym pomieszczeniu.
- Aby zapobiec niebezpieczeństwu pożaru, czyść komorę silnika, tłumika i akumulatora oraz miejsce przechowywania paliwa z liści, trawy i nadmiaru smarów.
- Często sprawdzaj, czy chwytacz trawy nie jest zużyty lub zniszczony.

Transport

- Usuń przewód świecy zapłonowej. Poluzuj linkę/przewód na uchwycie przed ostrożnym złożeniem uchwytu. Unikaj uszkodzeń linki/przewodu. Opróżnij zbiornik paliwa. Przed przewozem publicznymi środkami transportu olej silnikowy i paliwo muszą być us

A**SCHEMAT URZĄDZENIA**

1	Górny uchwyt	12	Klapka ochronna
2	Dolny uchwyt	13	Dźwignia gazu
3	Nakrętka górnego uchwytu	14	Dźwignia bezpieczeństwa
4	Worek	15	Przekładnia
5	Korek wlewu oleju	16	Płyta sterownicza
6	Korek spustu oleju	17	Kluczyk rozruchowy
7	Obudowa	18	Dźwignia napędu
8	Dźwignia regulacji wysokości koszenia	19	Pociągnąć za uchwyt
9	Świeca zapłonowa	20	Dźwignia szybkości poruszania
10	Zbiornik paliwa	21	Przycisnąć pomkę
11	Starter		

B**MONTAŻ WORKA/ KOSZA ZBIERAJĄCEGO TRAWĘ****C****MONTAŻ OSŁONY** *(jeżeli jeszcze nie jest złożony)***D****MONTAŻ UCHWYTU DOLNEGO****E****MONTAŻ UCHWYTU GÓRNEGO****F****MONTAŻ KÓŁ** *(jeżeli jeszcze nie jest złożony)***G****REGULACJA UCHWYTU** *(wyłącznie dla modeli, gdzie została przewidziana)***H****WPROWADZENIE KORKA MULCHING** *(wyłącznie dla modeli, gdzie została przewidziana)*

Aby ściąć trawę w systemie mulching (bez zbierania skoszonej trawy) podnieść osłonę i włożyć korek mocujący go na sprężynie, zgodnie z przedstawionym rysunkiem.

I**USTAWIANIE WYSOKOŚCI KOSZENIA****J****ZASADY OCHRONY**

- Pracować zawsze z zamontowanym zbiornikiem na trawę lub klapą.
- Wyłączyć silnik przed zdjęciem zbiornika na trawę lub przed przestawieniem wysokości koszenia.
- Podczas pracy silnika nigdy nie wkładać rąk i nóg pod obudowę noża tnącego oraz nie podnosić klapki ochronnej.

Przed uruchomieniem urządzenia upewnić się czy wszystkie obce przedmioty, leżące w zasięgu pracy urządzenia, zostały usunięte. W czasie koszenia zwracać uwagę na pozostałe na trawie obce przedmioty. Operator kosiarki jest odpowiedzialny za bezpieczeństwo osób trzecich, przebywających w zasięgu pracy urządzenia.

W czasie uruchamiania silnika lub rozruchu kosiarki nie należy nigdy jej podnosić. W razie konieczności przechylić ją tak, aby ostrze noża tnącego znajdowało się po przeciwnej stronie operatora.

W czasie pracy silnika nie wolno nigdy wkładać rąk i nóg pod obudowę noża tnącego i w otwór klapki ochronnej.

K PRACA URZĄDZENIA

PRZYGOTOWANIE SILNIKA (Rys.KI)

Szczegółowe informacje dotyczące przygotowania silnika znajdują się w osobnej instrukcji obsługi silnika spalinowego, wydanej przez producenta silnika.



UWAGA: *Przed użyciem dodać oleju do silnika (0.6l) AVVIAMENTO MOTORE*

URUCHOMIENIE SILNIKA (Rys.KII)

Po operacjach przygotowawczych, przystąpić do uruchomienia silnika w następujący sposób:

a) **W wypadku silników z systemem ssania choke:**

w tych silnikach dźwignię gazu (Rys.KIII -13), w przypadku zimnego silnika, ustawić w pozycji START.

b) Dźwignię (14) przygotować silnik do uruchomienia, trzymać dźwignię przycisniętą do rączki w fazie uruchomienia i podczas używania maszyna (włącza hamulec silnika).

c) **W wypadku silników z systemem primer:**

3/4 razy przycisnąć pomkę (21), znajdującą się na gazniku. Dla modeli wyposażonych w linke gazu, ustawić dźwignię gazu (13) w pozycji MAX.

Radzimy je konsultować, kiedy są problemy z pracą silnika.

RĘCZNY ROZRUSZNIK - (Trzymając dźwignię zatrzymania silnika (14)).

● Linkę startera(11) pierwszy raz pociągnąć powoli do końca i wrócić do poprzedniej pozycji, a następnie drugi raz pociągnąć energicznie, aby uruchomić silnik.

ELEKTRYCZNY ROZRUSZNIK - (Trzymając dźwignię zatrzymania silnika (14)).

● Włożyć wtyczkę (G) do gniazdka (H) na silniku. Przekręcić klucz zapłonu (17).



UWAGA! *Urządzenie tnące zaczyna pracować (wirować) w momencie włączenia silnika*

Dźwignię (14) trzymać cały czas wciśniętą podczas pracy kosiarki.

KOSZENIE (Rys.K.III - K.IV)

W czasie koszenia pchać urządzenie do przodu. W przypadku kosiarki samojezdnej włączyć napęd.

Włączanie napędu: podnieść i docisnąć do maksimum dźwignię sprzęgła (18). W czasie koszenia dźwignia powinna cały czas pozostać w tej pozycji.



UWAGA! *Dźwignię sprzęgła włączać tylko wtedy, gdy silnik pracuje.*

W celu automatycznego wyłączenia napędu kółek, pusścić dźwignię sprzęgła.

WERSJA Z HAMULCEM NOŻA (Rys.K.V)

Abym włączy ostrze podczas pracy silnika, nakeżyć pociągnąć za uchwyt (14) w kierunku rączki i trzymać go wciśnięty; pchnąć do przodu dźwignię sprzęgła ostrza (19), w tym momencie ostrza zacznie się obracać.



UWAGA! *Puszczając uchwyt (14) ostrze zatrzyma się ale silnik dalej będzie pracować*

KOSZENIE

W czasie koszenia pchać urządzenie do przodu. W przypadku kosiarki samojezdnej włączyć napęd.

Włączanie napędu: podnieść i docisnąć do maksimum dźwignię sprzęgła (18). W czasie koszenia dźwignia powinna cały czas pozostać w tej pozycji.



UWAGA! *Dźwignię sprzęgła włączać tylko wtedy, gdy silnik pracuje.*

W celu automatycznego wyłączenia napędu kółek, pusścić dźwignię sprzęgła.

L

REGULACJA PRZEWODU SPRZĘGŁA (wyłącznie dla wersji samobieżnych)

UWAGA! *Jeseli napęd nie działa, pomimo włączenia dźwigni sprzęgła, konieczna jest regulacja linki sprzęgła poprzez przesunięcie sprężyny (P) w jeden z następujących otworów na płycie (R) lub w otwór "S*

M

KONSERWACJA MASZINY



Uwaga! *Przed wykonaniem jakiegokolwiek konserwacji zgasić silnik i wyjąć świecę*

- W silnikach czterosuwowych z zapłonem iskrowym regularnie kontrolować poziom oleju. Kiedy taka potrzeba, dolać oleju lub wymienić go. Dla uzyskania dodatkowych informacji odnośnie pracy silnika, przeczytać załączona do niego instrukcję obsługi.
- Kontrolować regularnie, czy wszystkie śruby i nakrętki są dokręcone. Po każdym koszeniu dokładnie oczyścić całe urządzenie, tak z wierzchu jak i spod spodu. Nie dopuszczać, aby trawa gromadziła się pod obudową.
- Po wyłączeniu silnika nigdy nie zbliżać się do łożyska wydechowego, ponieważ jest on gorący.
- Często kontrolować stan noża tnącego. Aby kosiarka dobrze kosiła, noże powinny być naostrzone i wyważone.
- Kontrolować często ostrze w celu sprawdzenia czy nie ma uszkodzeń.

- Corocznie po skończonym sezonie należy oddać kosiarkę do przeglądu w autoryzowanym serwisie. Jest to nieodzowne szczególnie w tych przypadkach, kiedy noże mogły zostać uszkodzone przez przedmioty, które dostały się pod obudowę w czasie koszenia.
- Mycie podkorpusu
Przy maszynie zatrzymanej i zgaszonej.
 - Połączyć złącze (22) na korpusie do kranu zasilania wody. Otworzyć kran.
 - Włączyć silnik (ostrze obracające) pozostawiając w działaniu przez kilka minut.
 - Po zakończeniu mycia: zgasić silnik, zamknąć kran, odłączyć rurę od złącza korpusu.

N URZĄDZENIE TNĄCE

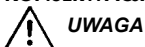
- Dla wymiany noża (23) odkręcić śrubę (24).
- Kontrolować: uchwyt noża (25), podkładki (26), klin (27) i podkładki (28). Jeżeli są uszkodzone lub wygięte, wymienić je na nowe.
- W czasie montażu zwrócić uwagę czy klin (27) jest umiejscowiony w wycięciu na wale korbowym silnika, a nóż tnący założony tak, aby jego ostrza były skierowane w stronę obrotów wału korbowego. Śrubę (24) dokręcić kluczem dynamometrycznym (52,4 Nm).

O ROZRUSZNIK ELEKTRYCZNY

- Przed pierwszym uruchomieniem urządzenia ładować akumulator przez 2 - 3 godziny. Jeśli w czasie uruchamiania okaże się że akumulator jest niedostatecznie naładowany, należy ładować go przez 24 godziny.

Nie uruchamiać urządzenia dłużej niż przez 5 sekund

KONSERWACJA BATERII



UWAGA

Do poprawnej konserwacji baterii (31), szczególnie przy długich okresach nie użytkowania, i do ładowania nie jest konieczne wyjmowanie jej z oprawy, lecz należy postępować w następujący sposób:

- 1) Odłączyć styk (32)
- 2) Przechowywać baterię w pomieszczeniu suchym i chłodnym
- 3) Ładować baterie przed użyciem w temperaturze pomieszczenia przez 24-36 godziny.
- 4) Przywrócić styk (32) przed użyciem

GWARANCJA I WARUNKI GWARANCJI

Jeżeli jakakolwiek część uległaby uszkodzeniu z powodu złej obróbki, w okresie gwarancji Husqvarna Outdoor Products, poprzez swe Autoryzowane Ośrodki Napraw, wykona bezpłatnie naprawę bądź wymianę, po warunkiem, że:

- a) usterka została zgłoszona bezpośrednio w autoryzowanym ośrodku napraw.
 - b) zostanie przedstawiony rachunek zakupu.
 - c) usterka nie została spowodowana przez niewłaściwe działanie, zaniedbanie lub błędne wyregulowanie dokonane przez użytkownika.
 - d) usterka nie jest spowodowana normalnym zużyciem następującym w następstwie użytkowania.
 - e) maszyna nie została podana konserwacji ani naprawie, nie została zdemontowana ani naruszona przez osoby, które nie posiadają autoryzacji Husqvarna Outdoor Products.
 - f) Maszyna nie została wypożyczona osobom trzecim.
 - g) Maszyna jest własnością pierwszego nabywcy.
 - h) Maszyna nie jest przeznaczona do działalności przynoszącej dochód.
- Gwarancja ta stanowi dodatek do praw klienta wynikających z przepisów prawa i w żaden sposób ich nie ogranicza.

WERSJA Z HAMULCEM NOŻA

- Dla wymiany noża (29) odkręcić dwie śruby (30).
- Sprawdzić stan ostrza i wymienić wszystkie części, które są uszkodzone, zamontować ponownie używając dwie śruby (30), które muszą być zaciśnięte na 5,34 Kgm (52,4Nm).

USUWANIE BATERII



Baterie oznaczone symbolem "kontener odpadów skroślonny" i ze wskazaniem symbolu chemicznego Pb (=bateria z ołowiem) nie mogą być wyrzucane do odpadów domowych.



Użytkownik jest zobowiązany przez przepisy prawne do dostarczenia baterii zużytych do odpowiednich ośrodków zbiorczych lub do sprzedawcy.

Usterki spowodowane jedną bądź kilkoma podanymi poniżej przyczynami nie są objęte gwarancją, a więc jest ważne, by przeczytać instrukcje podane w niniejszej Książeczce Użytkownika, jak również by w pełni zrozumieć działanie i procedury konserwacji maszyny. Usterki nie objęte gwarancją:

- Wymiana zużytych bądź uszkodzonych noży.
- Usterki spowodowane brakiem zgłoszenia usterki pierwotnej.
- Usterki spowodowane niespodziewanym uderzeniem.
- Usterki spowodowane nie zastosowaniem się do instrukcji i zaleceń zawartych w niniejszej Książeczce Użytkownika.
- Nie są objęte gwarancją maszyny wypożyczone.
- Części wymienione poniżej należy traktować jako części zużywające się i ich czas działania zależy od regularnej konserwacji; w związku z tym gwarancja nie obejmuje noży, przewodów zasilania, paska.

● UWAGA

W ramach niniejszej gwarancji Husqvarna Outdoor Products nie ponosi odpowiedzialności za usterki spowodowane w całości lub w części, bezpośrednio lub pośrednio, przez wykorzystanie części zamiennych bądź akcesoriów nie wyprodukowanych lub nie autoryzowanych przez Husqvarna Outdoor Products lub przez zmiany wprowadzone w maszynie w jakikolwiek sposób.

EC DEKLARACJA ZGODNOŚCI

Ja, niżej podpisany Bengt Ahlund, Husqvarna Outdoor Products Italia Spa, Via Como 72, 23868 Valmadrera (LC).
Zaświadczam że Kosiarka do strzyżenia trawników:-

KategoriaRotacyjna Kosiarka kołowa z napędem benzynowym

Wykonanie.....Husqvarna Outdoor Products

Odpowiada wymaganiom technicznym Dyrektywy Europejskiej Wspólnoty Gospodarczej (EWG) nr 2000/14/EEC

Typ.....A

WersjaB

Szerokość koszenia.....C

Gwarantowany Poziom Mocy Akustycznej.....D

Mierzony Poziom Mocy AkustycznejE

Poziom ciśnienia akustycznego.....F

Drgania uchwytu.....G

Typ Urządzenia Tnącego.....Ostrze Obrótowe

Identyfikacja serii.....Patrz Tabliczka Znamionowa Wyrobu

Procedura Oceny Zgodności.....ANNEX VI

Organ Rejestrując.....Nr. 0470 - NEMKO AS

Gaustadalleen 30 - PO Box 73 Blindern
0314 OSLO - Norway

Inne Dyrektywy.....98/37/EC, 93/68/EEC, 2002/88/EC, 2004/108/EC

oraz normEN836,EN ISO14982,EN1033,EN ISO 3744,EN ISO11201

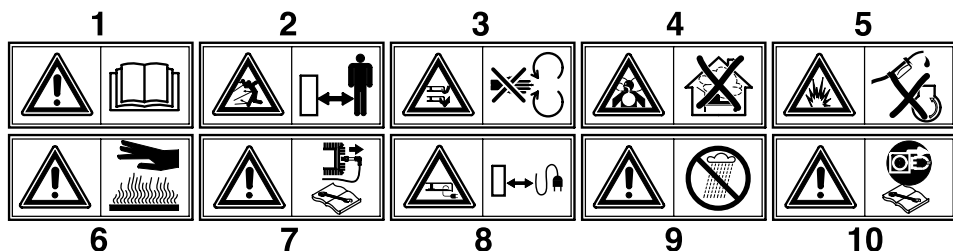


Bengt Ahlund
Dyrektor techniczny

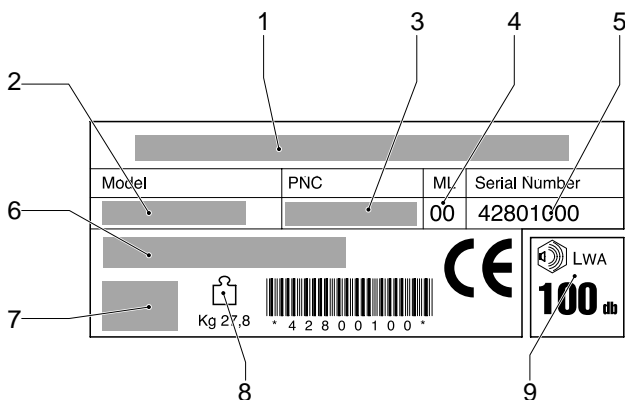
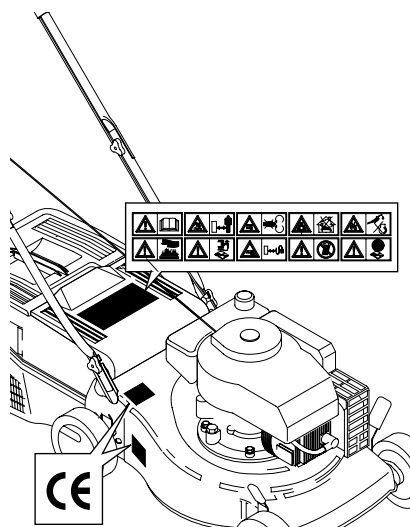
Husqvarna Outdoor Product Italia S.p.A.
Via Como 72 - 23868 Valmadrera (LC)
3/08/2006

Вследствие программы постоянного совершенствования изделия, предприятие сохраняет право изменять технические детали, упомянутые в данном руководстве, без предварительного уведомления.

Данное руководство было подготовлено для использования с разными моделями электрических газонокосилок, имеющих различные формы и оборудование.



- 1 **Внимание!** Прочтите данное руководство перед использованием.
- 2 Удерживайте других людей на достаточном расстоянии от опасной зоны.
- 3 **Предупреждение:** Существует риск получения травмы рук и ног.
- 4 **Риск от вдыхания токсичных газов!** Не используйте данный прибор в закрытых или плохо проветриваемых помещениях.
- 5 **Риск взрыва!** Не производите дозаправку горючим при работающем двигателе.
- 6 **Внимание!** Горячие поверхности.
- 7 **Внимание!** Выключайте двигатель и отсоединяйте свечу зажигания перед предприятием работ по техническому обслуживанию.
- 8 Держите кабель источника питания достаточно далеко от режущего инструмента.
- 9 **Внимание!** Укрывайте от дождя и влажности.
- 10 Перед выполнением любых действий на режущем инструменте, отсоедините шнур питания.



- 1 Производитель
- 2 Модель
- 3 Номер изделия
- 4 Уровень технического обслуживания
- 5 Серийный номер
- 6 Тип
- 7 Сведения по двигателю
- 8 Масса
- 9 Уровень звуковой мощности

ПРАВИЛА БЕЗОПАСНОСТИ

Правила техники безопасности при эксплуатации самоходной ротационной газонокосилки

ВАЖНО: Режущие механизмы этой машины могут привести к ампутации верхних или нижних конечностей, а также вызвать выброс предметов на расстояние. Несоблюдение следующих инструкций по технике безопасности может привести к получению тяжелых телесных повреждений и смерти.

I. Обучение

- Внимательно прочитайте инструкции. Вы должны ознакомиться с органами управления и иметь представление о надлежащем использовании оборудования.
- Никогда не позволяйте детям или лицам, не знакомым с инструкциями, пользоваться газонокосилкой. Местные законодательные постановления могут ограничивать возраст оператора.
- Не подпускайте детей и домашних животных к работающей газонокосилке.
- Помните, что оператор или пользователь несут ответственность за вред или ущерб, нанесенные третьим лицам или их имуществу.

II. Подготовка

- При работе с газонокосилкой всегда носите прочную обувь и длинные брюки. Нельзя работать с оборудованием босиком или в открытых сандалиях.* Тщательно проверьте участок работы и удалите все предметы, которые могут быть отброшены машиной на расстояние.
- ОСТОРОЖНО** – Бензин – это сильно горючая жидкость.
 - Храните топливо в специально предназначенных для этого емкостях.
 - Заправляйте топливом только на открытом воздухе и не курите при заправке.
 - Заливайте топливо при выключенном двигателе. Запрещается снимать крышку топливного бака и заливать топливо при работающем или при горячем двигателе.
 - В случае пролития бензина не запускайте двигатель: удалите машину с места пролития бензина и избегайте образования каких-либо источников воспламенения до тех пор, пока пары бензина не рассеются.- Прочно закрутите крышки всех топливных баков и емкостей.
- Замените неисправные глушители.
- Каждый раз перед использованием проводите визуальный осмотр на предмет повреждения или износа лезвий, болтов крепления лезвий и ножевого блока. Замените изношенные или поврежденные режущие лопасти и болты попарно в целях сохранения баланса.
- В случае машин с несколькими лезвиями будьте осторожны, т.к. вращение одного лезвия может вызвать вращение других лезвий.III. Эксплуатация
- Не включайте двигатель в закрытом помещении, где возможно скопление опасного угарного газа.
- Косите только при дневном свете или при хорошем искусственном освещении.
- По возможности, избегайте косить при мокрой траве.
- На склонах всегда находите твердую опору для ног.
- Перемещайтесь в темпе шага, никогда не бегите.
- В случае ротационных машин на колесах косите вдоль поверхности склона, никогда вверх и вниз.
- Будьте особо осторожны, если Вы меняете направление движения на склоне.
- Не косите на слишком крутых склонах.
- Будьте особо осторожны, если Вы поворачиваете косилку или подвигаете ее к себе.

- Остановите лезвия, если газонокосилка наклонена для транспортировки по участку без наличия травы или при перемещении к скашиваемым зонам и обратно.
- Никогда не работайте с газонокосилкой с неисправными защитными приспособлениями или снятыми защитными устройствами, например, без дефлектора и/или травосборника.
- Не изменяйте регулировочных уставок двигателя и не превышайте допустимой скорости работы двигателя. Работа двигателя на слишком высокой скорости увеличивает риск получения травм.* Перед тем, как приступить к запуску двигателя, выведите из сцепления все лезвия и муфты привода.
- Запустите двигатель или включите мотор соблюдая осторожность и в соответствии с инструкциями, уделяя внимание тому, чтобы ваши ноги находились вдалеке от лезвий.
- Не наклоняйте газонокосилку при запуске двигателя или при включении мотора, за исключением случаев, когда для запуска газонокосилка должна быть наклонена. В последнем случае, не наклоняйте ее больше чем необходимо и поднимите только ту часть, которая находится вдалеке от оператора.* Не запускайте двигатель, стоя перед разгрузочным желобом.
- Не помещайте рук или ног рядом или под вращающимися частями. Разгрузочное отверстие должно быть всегда свободно.
- Никогда не поднимайте и не транспортируйте газонокосилку при работающем двигателе.
- Остановите двигатель и отсоедините штекер провода свечи зажигания:
 - при удалении закурорк или прочистке желоба;
 - перед проверкой, чисткой или обслуживанием газонокосилки;
 - после соударения с посторонним предметом. Проверьте газонокосилку на предмет повреждений и проведите ремонт перед тем, как включить и эксплуатировать газонокосилку;
 - если газонокосилка начинает необычно вибрировать (немедленно проверьте).
- Остановите двигатель:
 - каждый раз, когда вы оставляете газонокосилку без присмотра;
 - перед заправкой топливом.
- При выключении двигателя необходимо уменьшить регулировку дросселя и, если двигатель оснащен отсечным клапаном, выключить подачу топлива по завершению работы газонокосилки.
- При использовании заднего сидения перемещайтесь медленно.

IV. Техобслуживание и хранение

- Все гайки, болты и винты должны быть надежно затянуты для обеспечения безопасных условий работы оборудования.
- Запрещается хранить оборудование с бензином в баке в помещении, где газы могут достичь открытого пламени или искр.
- Дождитесь охлаждения двигателя перед тем, как помещать на хранение в любое закрытое помещение.
- С целью исключения возгорания держите двигатель, глушитель, батарейный отсек и место хранения бензина свободными от травы, листьев или излишнего количества смазочных материалов.
- Периодически проверяйте травосборник на предмет износа или порчи.
- В целях обеспечения безопасности проводите замену изношенных или поврежденных частей.
- Если необходимо слить топливо из топливного бака, проводите эту операцию на открытом воздухе.

A**ОПИСАНИЕ**

1	верхние рукоятки	12	задний отражатель
2	нижние рукоятки	13	рычаг дросселя
3	закрепление ручек вращения на верхние рукоятки	14	рычаг остановки двигателя
4	уловитель травы	15	редукционная передача)
5	крышка масляного фильтра	16	консоль
6	сливная пробка для масла	17	ключ зажигания
7	плита	18	рычаг включения муфты сцепления
8	регулируемые рычаги для высоты срезания	19	рычаг зацепления лезвия
9	свеча зажигания	20	ручка скорости подвода
10	топливная крышка	21	насос обогащения горячего
11	стартер двигателя		

B**СБОРКА УЛОВИТЕЛЯ ТРАВЫ****C****СБОРКА ОТРАЖАТЕЛЯ** (если уже не собрано)**D****СБОРКА НИЖНИХ РУКОЯТОК****E****СБОРКА ВЕРХНИХ РУКОЯТОК****F****СБОРКА КОЛЕСА** (если уже не собрано)**G****РЕГУЛИРОВКА РУКОЯТОК** (только для моделей, где это включено в состав)**H****УСТАНОВКА КОЛПАКА МУЛЬЧИРОВАНИЯ** (только для моделей, где это включено в состав)

Для среза травы с помощью системы мульчирования (без сбора травы), поднимите заднюю панель отражателя и вставьте колпак, фиксируя его с помощью пружин, как показано на рисунке..

I**РЕГУЛИРОВКА СРЕЗА****J****МЕРЫ БЕЗОПАСНОСТИ**

- Всегда эксплуатируйте агрегат с установленным в правильном положении отражателем или уловителем травы.
- Всегда останавливайте двигатель, перед снятием улавливателя травы или регулировкой высоты срезания.
- Никогда не подставляйте Ваши руки или ноги под опалубку или внутрь лотка выгрузки травы, пока двигатель работает

Перед перемещением, уберите посторонние предметы с лужайки, которые могут разбрасываться машиной. Во время кошения, внимательно следите за посторонними предметами, которые вы могли упустить из виду.

Никогда не поднимайте заднюю часть косилки во время запуска двигателя или в течение нормальной работы. Никогда не подставляйте Ваши руки или ноги под опалубку или внутрь лотка выгрузки травы, пока двигатель работает.

К

ЭКСПЛУАТАЦИЯ

РЕГУЛИРОВКИ ДВИГАТЕЛЯ

Обратитесь к руководству по техническому обслуживанию изготовителя двигателя.



Внимание: Необходимо долить 0,6 л масла в двигатель перед использованием.

Запуск двигателя (Рисунок КII)

Как только машина была настроена правильно, запустите двигатель следующим образом:

- a) Двигатели со шпунтовой (дроссельной) системой: когда двигатель холодный, положение рычага акселерации (Рис. КII – поз.13) на Запуск.
- b) Поработайте рычагом остановки двигателя (14) для подготовки двигателя к запуску, удерживайте рычаг прижатым к ручке при запуске и эксплуатации машины (он управляет тормозом двигателя).
- c) Двигатели с детонирующей системой:

Понажимайте насос обогащения горючего (21), размещенный на карбюраторе 3 или 4 раза с помощью рычага акселерации (13) до положения Максимум.

Дальнейшие сведения и объяснения прочтите внимательно в руководстве пользователя для двигателя.

d) Запустите двигатель.

РУЧНОЙ ЗАПУСК: (При удержании рычага остановки двигателя (14)).

- Удерживайте сцепление двигателя (11) и потяните шнур стартера мягко до тех пор, пока вы не почувствуете сопротивление, вызванное компрессией. Возвратите медленно шнур стартера, затем потяните рукоятку твердо до полного растяжения.

ЭЛЕКТРИЧЕСКИЙ ЗАПУСК: (При удержании рычага остановки двигателя (14)).

- Вставьте вилку (G) в гнездо (H) на двигателе. Поверните ключ зажигания (17).



Внимание: Лезвие начинает вращение, как только запускается двигатель.

Держите рычаг остановки двигателя (14) прижатым в течение работы машины. Когда рычаг отпускается, двигатель останавливается.

КОШЕНИЕ (Рисунок КIII - KIV)

Для срезки травы, толкайте газонокосилку вручную или вставьте зубчатую передачу автоматического подвода.

Как вставить автоматический подвод: Поднимите рукоятку управления муфтой сцепления (18) и удерживайте ее прижатой в данном положении.



Внимание: Вводите сцепление зубчатой передачи только, когда двигатель работает.

Как отсоединить подвод: Освободите ручку управления муфтой сцепления.

ВАРИАНТ С ТОРМОЗОМ ЛЕЗВИЯ (Рисунок KV)

При работающем двигателе, потяните рукоятку (14) к стойке и удерживайте прижатой. Надавите на рычаг сцепления лезвия (19) прямо для придания вращения лезвию.



Предупреждение! Когда рукоятка (14) отпускается, лезвие останавливается в то время, как двигатель продолжает работать.

КОШЕНИЕ

Для срезки травы, толкайте газонокосилку вручную или вставьте зубчатую передачу автоматического подвода.

Как вставить автоматический подвод: Поднимите рукоятку управления муфтой сцепления (18) и удерживайте ее прижатой в данном положении.



Внимание: Вводите сцепление зубчатой передачи только, когда двигатель работает.

Как отсоединить подвод: Освободите ручку управления муфтой сцепления.

L

РЕГУЛИРОВКА КАБЕЛЯ МУФТЫ СЦЕПЛЕНИЯ (только для самоходных вариантов)

Важное замечание: Если, когда вы нажимаете рычаг управления муфтой сцепления, автоматическое сцепление подвода не происходит, трос муфты сцепления должен регулироваться установкой пружины (P) в одно из последующих отверстий в пластине (R) или в отверстия (S).

M

ТЕХНИЧЕСКОЕ ОБСЛУЖИВАНИЕ



Внимание! Отключите двигатель и отсоедините кабель свечи зажигания перед проведением работ по техническому обслуживанию

- Для четырехтактного двигателя, проверьте уровень масла и замените масло, когда оно грязное. Дальнейшие объяснения смотрите Руководство по двигателю.
- Как можно чаще проверяйте косилку и обеспечьте, чтобы все остатки травы убирались из-под опалубки (приборного блока).
- Никогда не вычищайте двигатель, поливая его водой сверху: это может привести к серьезным повреждениям системы электрического запуска.
- Будьте осторожны, выхлопная труба может быть очень горячей.
- Как можно чаще проверяйте лезвие на предмет повреждений.
- Газонокосилка должна проверяться Представителем сервисной службы.
- Вычищайте пространство под конструкцией. Когда машина в покое и отключена:
 - Присоедините патрубок (22) на опалубку к крану подачи воды. Отверните кран.
 - Запустите двигатель (лезвие во вращении), давая ему прогреться несколько минут.
 - В конце чистки отключите двигатель, закройте кран, отсоедините трубу от подсоединения к опалубке.

N ЛЕЗВИЕ

- Для снятия лезвия (23), открутите винт (24).
- Проверьте состояние держателя лезвия (25), прокладки (26), шпонки (27) и шайбы (28) и замените любые детали, которые повреждены.
- При повторной сборке, убедитесь, что шпонка (27) правильно садится на вал и что режущие края обращены в направлении вращения двигателя. Винт лезвия (24) должен закручиваться с усилием до 5,34 кгм (52,4 Нм).

Вариант с тормозом лезвия.

Для снятия лезвия (29), открутите винт (30).

Проверьте состояние лезвия и замените любые детали, которые повреждены. При повторной сборке используйте два винта (30) должен закручиваться с усилием до 5,34 кгм (52,4 Нм).

O КОМПЛЕКТ ДЛЯ ЭЛЕКТРИЧЕСКОГО ЗАПУСКА.

- Перед запуском двигателя в первый раз, Вам рекомендуется подержать батарею на зарядке в течение 2-3 часов.

Если батарея продолжает отдавать низкое напряжение в течение запуска, зарядите ее в течение 24 часов.

При запуске, не удерживайте нажатым старт более 5 секунд.

Техническое обслуживание аккумуляторной батареи.



Важное замечание:

Для правильного технического обслуживания аккумуляторной батареи (31), особенно при подготовке для длительного периода бездействия, и для перезарядки, необязательно вынимать ее из отсека, а просто проделайте следующее:

- 1) Отсоедините контакт (32).
- 2) Сохраняйте аккумуляторную батарею в прохладном и сухом месте.
- 3) Перезарядите батарею перед использованием при комнатной температуре в течение 24-36 часов.
- 4) Восстановите контакт (32) перед использованием.

Утилизация аккумуляторной батареи.



Данные батареи маркируются надписью «замкнутая банка на отходы утилизации» и несущие символ Pb (батарея, содержащая свинец) не должны утилизироваться в контейнерах для бытовых отходов.



Пользователь по закону обязан передавать использованные аккумуляторные батареи на специальные сборные пункты или возвращать их торговцу.

ГАРАНТИЯ И УСЛОВИЯ ГАРАНТИИ

В случае поломки любой части, в зависимости от некачественной обработки во время периода гарантии, фирма Husqvarna Outdoor Products, посредством своих разрешенных ремонтных Центров, будет выполнять бесплатно ремонт или замену, в случае если:

- a) Поломка была сообщена прямо разрешенному ремонтному Центру.
- b) Представляется квитанцию покупки.
- c) Поломка не зависит от неправильного использования, небрежности или неправильных регулировок, выполнены пользователем.
- d) Поломка не зависит от обычного износа из-за использования.
- e) На машине не были выполнены операции обслуживания, ремонта, она не была демонтирована или искажена персоналом не разрешенным фирмой Husqvarna Outdoor Products.
- f) Машина не была сдана напрокат третьим лицам.
- g) Машина является имуществом оригинального покупателя.
- h) Машина не используется для коммерческого употребления.

- Настоящая гарантия - дополняет легальные права клиента и не сократит их в любом способом.

Поломки, которые зависят от одной или большие нижеперечисленных причин не покрыты гарантией, поэтому рекомендуется читать внимательно инструкции на Руководстве по пользователю и вполне понимать работу и процедуры по обслуживанию машины.

Поломки не покрыты гарантией.

- Замена изношенных или поврежденных ножей.

- Поломки, которые зависят от отсутствия сообщения начальной поломки.

- Поломки, которые зависят от неожиданного удара.

- Поломки, которые зависят от несоблюдения инструкции и рекомендаций указанных на Руководстве по пользователю.

- Гарантия не покрывает машины сданы напрокат.

- Нижеуказанные части считаются расходными частями и их срок работы зависит от нормального обслуживания, поэтому гарантия не покрывает ножи, питательные кабели, ремни.

● ОСТОРОЖНО

Внутри условия настоящей гарантии фирма Husqvarna Outdoor Products не возмещает на себя ответственность за дефекты, которые вполне или частично, прямо или косвенно, зависят от употребления запчастей или дополнительных частей не произведены или не разрешены фирмой Husqvarna Outdoor Products или за те дефекты, которые зависят от изменений выполнены в любом способе на машине.

ЕС ДЕКЛАРАЦИЯ СООТВЕТСТВИЯ

Подписавший Bengt Ahlund, Husqvarna Outdoor Products Italia Spa, Via Como 72, 23868 Valmadrera (LC) заявляет, что газонокосилку:-

КатегорияВращательная, бензиной, с колесами

МаркаHusqvarna Outdoor Products

соответствует нормативам Директив 2000/14/CEE.

Тип.....A

ВариантB

Ширина резания.....C

Гарантированный звуковой уровеньD

Измеренный звуковой уровеньE

Уровень акустического давления.....F

Вибрации на рукоятке.....G

Тип ножаВращательный

идентификация серииСмотри Етикетку о Данных о Продукте

Процедура оценки соответствия.....ANNEX VI

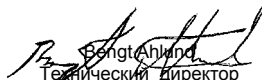
Орган заявления.Nr. 0470 - NEMKO AS

Gaustadalleen 30 - PO Box 73 Blindern

0314 OSLO - Norway

Другие директивы98/37/EC, 93/68/EEC, 2002/88/EC, 2004/108/EC

и другие нормативыEN836,EN ISO14982,EN1033,EN ISO 3744,EN ISO11201



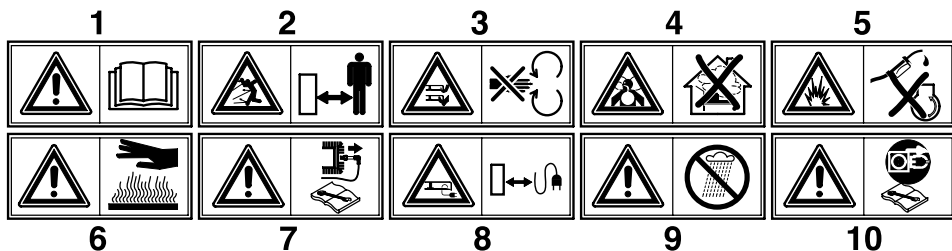
Bengt Ahlund
Технический директор

Husqvarna Outdoor Product Italia S.p.A.

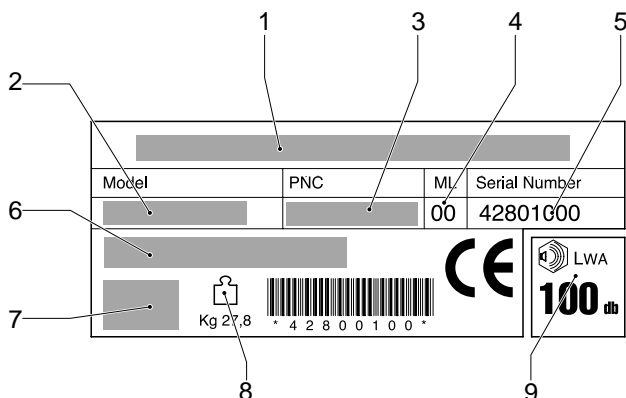
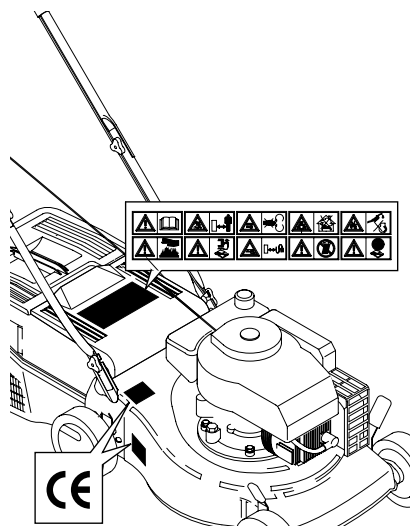
Via Como 72 - 23868 Valmadrera (LC)

3/08/2006

Soovime teid tänada, et valisite meie muruniiduki. Usume, et meie masina kõrge kvaliteet leiab teiepoolse tunnustuse ning et muruniiduk teenib teid kaua. Enne kui hakkate masinat kasutama, lugege kindlasti kasutusjuhend hoolikalt läbi, sest see on koostatud teadlikult eesmärgiga anda teile kogu vajalik info masina õigeks kasutamiseks vastavalt ohutusnõuetele.



- 1 **Tähelepanu!** Enne masina kasutamist lugege kasutusjuhendit.
- 2 Jälgige, et ohualas ei viibiks inimesi!
- 3 **Hoiatus:** Käte ja jalgade vigastamise oht.
- 4 **Oht hingata sisse mürkgaase!** Ärge kasutage masinat kinnises või halva ventilatsiooniga keskkonnas.
- 5 **Plahvatusoht!** Ärge lisage kütust, kui masin töötab.
- 6 **Ettevaatust!** Kuum pind
- 7 **Tähelepanu!** Enne hooldustöid lülitage masin välja ja ühendage lahti süüteküünel.
- 8 Jälgige, et toitekaabel ei sattuks lõiketera lähedusse.
- 9 **Tähelepanu!** Kaitske vihma ja niiskuse eest.
- 10 Enne lõiketera puudutamist ühendage süüteküünel lahti



- 1 Tootja
- 2 Mudel
- 3 Tootenumber
- 4 Hooldustase
- 5 Seerianumber
- 6 Tüüp
- 7 Mootori info
- 8 Kaal
- 9 Müratase

OHUTUSREEGLID

Väljaõpe

- a) Isikud, kes ei ole tuttavad kasutusjuhendiga, ei tohi muru niidukit kasutada. Ärge lubage lastel ega inimestel, kes ei ole kasutusjuhendist aru saanud, muruniidukit kasutada. Masina kasutamise miinimumvanus võidakse kohalike määrustega kindlaks määrata.
- b) Käitaja vastutab teiste tööalal viibivate inimeste turvalisuse eest. Jälgige, et lapsed ja koduloomad oleksid töötavast muruniidukist turvalises kauguses.
- c) Masin on mõeldud ainult loodusliku rohu lõikamiseks. Ärge kunagi kasutage niidukit muul otstarbel (näit. pinnase ebatasasuste, nagu mutiaugud või sipelgapesad, tasandamiseks).
- d) Töötage ainult siis, kui selleks on piisavalt valgust.
- e) Enne niitmist eemaldage murult kõik võõrkehaded, mis võivad masinast eemale paiskuda. Niites olge tähelepanelik võõrkehade suhtes, mida te võibolla varem ei märganud.

Muruniiduki tööks ettevalmistamine ja töö muruniidukiga

- a) Kandke niites tugevaid jalatseid (saapaid või tugevaid kingi) ning pikki pükse.
 - b) Enne niitmise alustamist veenduge, et tera ja selle kinnituskruvi oleksid korralikult kinni.
Kui tera on vigastatud, tuleb see välja vahetada.
 - c) Lülitage mootor välja, oodake, kuni tera enam ei liigu ja eemaldage süüteküünlal, enne kui:
 - transpordite, tõstate või liigutate masinat tööalast eemale;
 - teostate hooldus- või puhastustöid, või töid lõiketera juures;
 - eguleerite lõikekõrgust;
 - jätate masina järelvalveta.
- Ettevaatus!* Lõiketera hakkab kohe pöörlema, kui masin käivitatakse
- d) Ettevaatus! Kütus on kergestisüttiv:
- Säilitage kütust selleks ettenähtud mahutites.
 - Lisage kütust ainult vabas õhus ning seda tehes ärge süsetage.
 - Enne mootori käivitamist täitke kütusepaak. Ärge mingil juhul avage kütusepaagi kaant ega lisage kütust, kui mootor töötab või on veel kuum.
 - Kui bensiini on välja voolanud, ärge mingil juhul käivitage mootorit. Viige niiduk eemale kohast, kuhu kütust maha läks, ja vältige võimalikke süttimisallikaid, kuni bensiiniaur on hajunud.
 - Pange kütusepaagi kaas tagasi ja keerake korralikult kinni.
- e) Ärge laske mootoril töötada suletud ruumis, kuhu võivad koguneda ohtlikud vingugaasi aarud.
- f) Samuti peab niites alati käima, kunagi ei tohi joosta.
- g) Muruniidukit pöörates või enda suunas tõmmates olge eriti ettevaatlik.
- h) Eriti ettevaatlik tuleb olla kallakutel või mäest alla niites:
- Kasutage sobivaid mittelibisevaid jalatseid.
 - Jälgige, et teil oleks alati kindel jalgealune.

- Niitke kallakuga paralleelselt, mitte kunagi üles ega alla.
- Suunda muutes olge väga ettevaatlik.
- Ärge niitke liiga järskudel nõlvadel.
- i) Ärge kunagi kasutage muruniidukit, kui kaitsevahendid ja ohutusseadused (näit. deflektor, rohukoguja) ei ole korralikult paigas ja töökorras.
- j) Veenduge, et rohukoguja ja deflektor oleksid korralikult paigas. Vastasel korral võib lõiketera paisata eemale võõrkehi.
- k) Turvakaalutlustel ei tohi mootor kunagi ületada kiirust (p/m), mis on kleebisel ära toodud.
- l) Olge mootorit käivitades ettevaatlik ja järgige kindlasti kasutusjuhiseid. Kui mootor töötab, ärge kunagi pange käsi ega jalgu katte alla ega tagumisse välja-stusavasse.
- m) Mootorit käivitades või normaalse töö ajal ärge kunagi tõstke muruniiduki tagumist osa üles.
- n) Kui lõiketera põrkub vastu takistust, seisake koheselt niiduk. Seejärel laske asjatundjal tera üle vaadata.

Hooldus ja säilitamine

- a) Et niidukiga oleks turvaline töötada, veenduge, et kõik mutrid, poldid ja kruvid oleksid korralikult pingutatud.
- b) Kui paagis on kütust, ärge kunagi jätke masinat suletud ruumi, kus kütuseaur võib puutuda kokku lahtise tule või sädemetega.
- c) Enne seadme suletud ruumis ladustamist laske mootoril jahtuda.
- d) Jälgige, et mootoris, summutis, akupesas ning kütusepaagis ei oleks rohtu, lehti ega liigset määret, et vähendada tuleohtu.
- e) Kontrollige regulaarselt rohukogujat kulumise või seisundi halvenemise osas
- f) Turvakaalutlustel asendage kindlasti õigeaegselt kulunud või vigastatud detaileid.
- g) Kui kütusepaak tuleb tühjendada, on tähtis, et seda tehtaks vabas õhus.
- h) Monteerige lõiketera vastavalt juhisteile ning kasutage ainult selliseid lõiketeri, millel on tootja nimi või tootja või müüja kaubamärk ning mis on tähistatud vastava tootenumbriga.
- i) Et kaitsta käsi lõiketerade paigaldamisel või eemaldamisel, tuleb kindlasti kanda sobivaid kaitsekindaid.

A**KIRJELDUS**

1	Ülemised käepidemed	12	Tagumine deflektor
2	Alumised käepidemed	13	Drossel
3	Ülemiste käepidemete kinnituspud	14	Mootori seiskamise hoob
4	Rohukoguja	15	Reduktor
5	Õli lisamise koht	16	Konsool
6	Õli väljalaske koht	17	Süütevõti
7	Kate	18	Sidurihoob
8	Lõikekõrguse reguleerimishoovad	19	Lõiketera hoob
9	Süüteküünal	20	Liikumiskiiruse hoob edasisuunas
10	Kütusepaagi kaas	21	Kütuse rikastuspump
11	Mootori käivitamise käepide		

B**ROHUKOGUJA PAIGALDAMINE****C****DEFLEKTORI PAIGALDAMINE** (kui ei ole juba paigaldatud)**D****ALUMISTE KÄEPIDEMETE PAIGALDAMINE****E****ÜLEMISTE KÄEPIDEMETE PAIGALDAMINE****F****RATTA PAIGALDAMINE** (kui ei ole juba paigaldatud)**G****KÄEPIDEMETE REGULEERIMINE** (ainult mudelitele, millel see olemas on)**H****MULTŠIMISNÕU PAIGALDAMINE** (ainult mudelitele, millel see olemas on)

Et lõigata rohtu multšimissüsteemiga (rohu kogumist ei toimu), tõstke tagumine deflektori paneel üles ja pange nõu kohale, kinnitades selle vedruga nagu joonisel kujutatud.

I**LÕIKE REGULEERIMINE****J****OHUTUSABINÕUD**

- Jälgige alati, et töötades oleks deflektor või rohkoguja õiges asendis.
- Enne rohkoguja eemaldamist või lõikekõrguse reguleerimist seisake alati mootor.
- Kui mootor töötab, ärge kunagi pange käsi ega jalgu katte alla või rohu väljutusavasse.

Enne niitmist eemaldage murult kõik võõrkehaded, mis võivad masinast eemale paikneda. Niites olge tähelepanelik võõrkehade suhtes, mida te võibolla varem ei märganud.

Mootorit käivitades või normaalse töö ajal ärge kunagi tõstke muruniiduki tagumist osa üles.

Kui mootor töötab, ärge kunagi pange käsi ega jalgu katte alla ega tagumisse väljutusavasse.

K KÄITAMINE

MOOTORI REGULEERIMINE (joonis K1)

Vt mootori tootja hooldusjuhendit.



ETTEVAATUST!- 0.6l õli tuleb lisada mootorile enne kasutamist

MOOTORI KÄIVITAMINE (joonis KII)

Kui masin on nõuetekohaselt ette valmistatud, käivitage mootor järgmisel viisil:

a) Starteriklapiga mootorid:

kui mootor on külm, seadke gaasikang (joonis KIII - nr.13) asendisse START

b) Vajutage mootori seiskamise hoovale (14), et valmistada mootor käivitamieks ette; masinat käivitades ja sellega töötades suruge hoo vastu käepidet (see paneb tööle mootori piduri).

a) Starteriklapiga mootorid:

Vajutage karburaatoril olevat kütuse rikastuspumpa (21) 3 või 4 korda, seadke gaasikang (13) asendisse MAX.

Täiendava info ja selgituste saamiseks lugege tähelepanelikult mootori kasutusjuhendit.

d) Käivitage mootor.

KÄSITSI KÄIVITAMINE: (Hoides all mootori seiskamise hooaba (14)).

Hoidke mootori käivitamise käepidemest (11) ja tõmmake starteri trossi õrnalt, kuni tunnete kompressioonist põhjustatud vastupanu. Laske starteritross aeglaselt tagasi, seejärel tõmmake käepidet tugevasti enda suunas nii kaugele kui võimalik.

ELEKTRILINE KÄIVITAMINE: (Hoides all mootori seiskamise hooaba (14)).

Pange pistik (G) mootoril olevasse pessa (H). Keerake süütevõtit (17).



ETTEVAATUST! Lõiketera hakkab pöörelma kohe, kui mootor käivitatakse.

Hoidke masinaga töötades mootori seiskamise hooaba (14) all. Kui hooab vabastatakse, siis mootor seiskub.

NIITMINE (joonis KIII - KIV)

Rohu lõikamiseks lükake niidukit käsitsi või paigaldage automaatne liikumisseade.

Kuidas paigaldada automaatset liikumisseadet: Tõstke siduri hooab (18) üles ja hoidke selles asendis.



ETTEVAATUST! Lülitage seade sisse ainult siis, kui mootor töötab.

Kuidas automaatset liikumisseadet vabastada: Vabastage siduri hooab.

LÕIKETERA PIDURIGA VERSIOON (joonis KV)

Kui mootor töötab, tõmmake käepidet (14) kangi suunas ja hoidke all. Lükake lõiketera sisselülitamise hooaba (19) edasi, et panna lõiketera pöörlema.



HOIATUS: Kui käepide (14) lahti lasta lõiketera peatub, samal ajal kui mootor jätkab tööd.

NIITMINE

Rohu lõikamiseks lükake niidukit käsitsi või paigaldage automaatne liikumisseade.

Kuidas paigaldada automaatset liikumisseadet: Tõstke üles sidurihooab (18) ja hoidke selles asendis.



ETTEVAATUST! Lülitage sidur sisse ainult siis, kui mootor töötab.

Kuidas automaatset liikumisseadet välja lülitada: Vabastage sidurihooab.

L

SIDURIKAABLI REGULEERIMINE (ainult iseliikuvatele versioonidele)

Tähtis: Kui vajutate sidurihoovale ja automaatne liikumisseadis ei käivitu, tuleb siduritrossi reguleerida, pannes vedru (P) mõnda plaadil (R) olevasse auku (S).

M

HOOLDUS



Ettevaatust! Enne hooldustöid lülitage mootor välja ja ühendage lahti süüteküüna.

- Neljataktilise mootori puhul kontrollige õlitaset ja vahetage õli, kui see on must. Täiendavaid selgitusi vt MOOTORI KASUTUSJUHEND.
- Kontrollige niidukit sageli ja veenduge, et rohuäägid oleksid katte alt eemaldatud.
- Ärge kunagi puhastage niidukit, valades sellele vett: see võib elektrisüsteemi tõsiselt rikkuda.
- Olge ettevaatlik, väljalasketoru võib olla väga kuum.
- Kontrollige sageli lõiketera võimalike kahjustuste osas.
- Muruniidukit tuleb kontrollida VOLITATUD ESINDUSES.
- Kerealune puhastamine
Masin peab seisma ja olema välja lülitatud.
 - Kinnitage otsik (22) kraani külge. Keerake kraan lahti.
 - käivitage mootor (lõiketera pöörleb), laske sel mõni minut soojeneda.
 - kui olete puhastamise lõpetanud, lülitage mootor välja, keerake kraan kinni, võtke voolik ära.

N

LÕIKETERA

- Lõiketera (23) eemaldamiseks vabastage kruvi (24).
- Kontrollige lõiketera toe (25) seisundit, pesuriti (26), võtit (27) ning pesuriti (28) ja vahetage välja kõik defektsed osad.
- Uuesti kokku pannes veenduge, et võti (27) oleks võlliile õigesti asetatud ning et lõikeservad oleksid mootori pöörlemise suunas. Lõiketera kruvi (24) peab olema pingutatud 5,34 Kgm (52,4 Nm).

O

ELEKTRILINE KÄIVITAMINE:

- Enne mootori esmakordset käivitamist on soovitatav laadida akut 2 kuni 3 tundi. Kui käivitamisel selgub, et aku on nõrk, laadige seda 24 tundi.

Ärge jätkake käivitamist rohkem kui 5 sekundi vältel.

AKU HOOLDAMINE



TÄHTIS

Aku õigeks hooldamiseks (31), eriti valmistudes seadet pikemaks ajaks seisma jätma ning laadimiseks valmistudes laadimiseks ei ole vaja akut pesast eemaldada, vaid toimida tuleb järgmisel viisil:

- 1) Eemaldage kontakt (32).
- 2) Säilitage akut värske õhuga ja kuivas kohas.
- 3) Enne kasutamist laadige akut toatemperatuuril 24-36 tundi.
- 4) Enne kasutamist taastage kontakt (32).

GARANTII JA GARANTIIPOLIITIKA

Kui garantiiajal avastatakse mõne detaili defekt, mis on tingitud tootmisveast, parandab või asendab firma Husqvarna Outdoor Products selle oma volitatud töökodade kaudu kliendile tasuta, eeldusel, et:

- a) veast teatatakse otse volitatud töökotta
 - b) esitatakse ostu tõendav dokument
 - c) viga ei ole tingitud väärust kasutamisest, hooletusest ega ebaõigest reguleerimisest kasutaja poolt
 - d) viga ei ole tingitud kulumisest
 - e) masin ei ole olnud teeninduses ega remondis, seda ei ole koost lahti võetud ega omavoliliselt muudetud isiku poolt, kellel puudus selleks firma Husqvarna Outdoor luba Tooted
 - f) masinat ei ole välja renditud
 - g) masin on isiku omanduses, kes selle algselt ostis
 - h) masinat ei ole kasutatud äriotstarbel
- See garantii täiendab kliendile seadusega ettenähtud õigusi ega vähenda neid mingil viisil.
- Garantii ei kata allpool loetletud põhjustel tekkinud rikkeid, seetõttu on tähtis, et loeksite tähelepanelikult läbi selles kasutusjuhendis sisalduvad juhised ning mõistaksite, kuidas oma masinat käitada ja hooldada.

LÕIKETERA PIDURIGA VERSIOON

- Lõiketera (29) eemaldamiseks vabastage kruvi (30).
- Kontrollige lõiketera toe (25) seisundit, ja vahetage välja kõik defektsed osad, pange uuesti kokku, kasutades kahte kruvi (30), mida tuleb pingutada kuni 5,34 Kgm (52,4Nm).

AKU LIKVIDEERIMINE



Akusid, millel on tähis "mahatõmmatud prügikonteiner" ning keemiline sümbol Pb (aku sisaldab pliid), ei tohi visata kodumajapidamiste prügikonteinerisse.



Kasutaja on seaduslikult kohustatud viima kasutatud akud spetsiaalsesse kogumispunkti või tagastama müüjale.

Garantii ei kata järgmisi rikkeid:

- kulunud või vigastatud terade asendamine
- rikked, mis on tingitud asjaolust, et algselt veast ei teatatud
- rikked, mis on tekkinud äkilise kokkupõrke tagajärjel
- rikked, mis on tingitud asjaolust, et toodet ei kasutatud vastavalt kasutusjuhendis sisalduvatele juhistele ja soovitudele
- garantii ei laiene masinatele, mida kasutatakse rendimasinatena
- järgnevalt loetletud detaile käsitatakse kuluvate osadena ning nende eluiga sõltub korrapärasest hooldusest, mistõttu need ei saa reeglina olla garantiinõude aluseks: lõiketerad, elektrikaabel, rihm

● ETTEVAATUST!

Firma Husqvarna Outdoor Products ei võta endale garantiist tulenevat vastutust defektide eest, mis on tervikuna või osaliselt, otseselt või kaudselt põhjustatud asendusosade või lisadetailide paigaldamisest, mis ei ole toodetud firmas Husqvarna Outdoor Products või selle poolt heaks kiidetud, ega defektide eest, mis on põhjustatud masina ükskõik millisel viisil muutmisest.

EÜ VASTAVUSDEKLARATSIOON

Mina, allakirjutanu Bengt Ahlund, Husqvarna Outdoor Products Italia Spa, Via Como 72, 23868 Valmadrera (LC) tõendan, et muruniiduk:-

kategooria.....*bensiinimootoriga ratastega rootor*

Mark.....*Husqvarna Outdoor Products*

Vastab direktiivi 2000/14/EMÜ spetsifikatsioonidele.

Tüüp*A*

Versioon.....*B*

Lõikelaius.....*C*

Garanteeritud müratase.....*D*

Mõõdetud müratase.....*E*

Müratase kõrvas.....*F*

Käepideme vibratsioon.....*G*

Lõikeseadme tüüproteeruv tera

Seeria IDvt toote nimeplaat

Vastavushindamise protseduurANNEX VI

Teavitatud asutus.....Nr. 0470 - NEMKO AS

Gaustadalleen 30 - PO Box 73 Blindern

0314 OSLO - Norway

Muud direktiivid:98/37/EC, 93/68/EEC, 2002/88/EC, 2004/108/EC

& kohaldatavad standardid:EN836,EN ISO14982,EN1033,EN ISO 3744,EN ISO11201



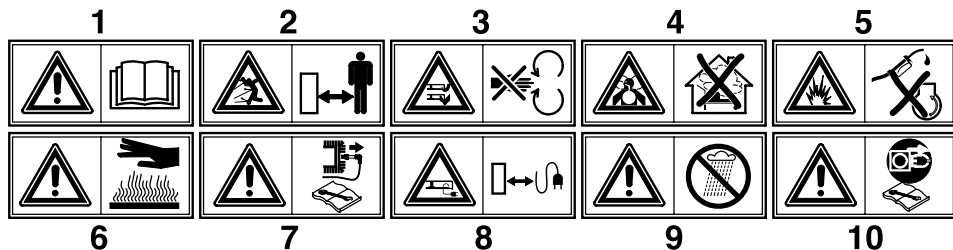
Bengt Ahlund
Technical Manager

Husqvarna Outdoor Product Italia S.p.A.

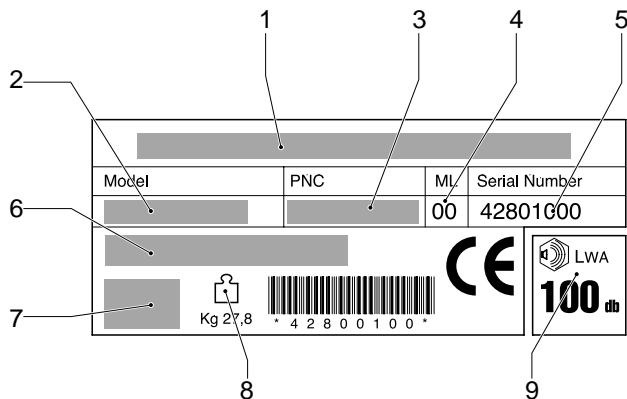
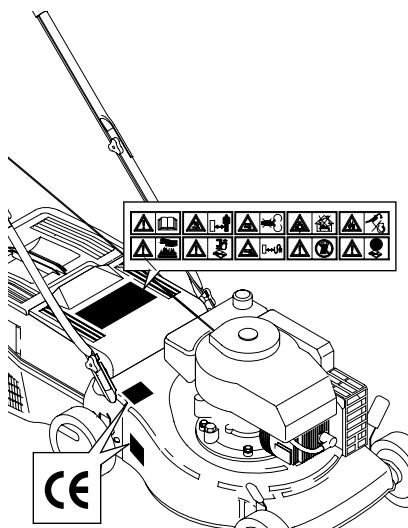
Via Como 72 - 23868 Valmadrera (LC)

3/08/2006

Dėkojame, kad pasirinkote mūsų vejąpjovę. Mes esame įsitikinę, kad aukšta mūsų gaminio kokybė pateisins jūsų lūkesčius ir ilgai jums tarnaus. Prieš pradėdami naudoti vejąpjovę, atidžiai perskaitykite šią instrukciją, kuri buvo sukurta tam, kad suteiktų jums naudingos informacijos apie vejąpjovės naudojimą ir pagrindinius saugos reikalavimus.



- 1 **Dėmesio!** Prieš pradėdami dirbti, perskaitykite naudojimosi instrukciją.
- 2 Pasirūpinkite, kad pašaliniai žmonės pasitrauktų iš pavojingos darbo zonos.
- 3 **Įspėjimas!** Galite susižeisti rankas ir kojas.
- 4 **Nuodingų dujų įkvėpimo pavojus!** Nenaudokite prietaiso uždaroje ar blogai vėdinamose patalpose.
- 5 **Sprogimo pavojus!** Nepilkite degalų, kai variklis yra užvestas.
- 6 **Dėmesio!** Įkaitęs paviršius.
- 7 **Dėmesio!** Prieš pradėdami bet kokius priežiūros darbus išjunkite variklį ir atjunkite uždegimo žvakės antgalį.
- 8 Pasirūpinkite, kad elektros maitinimo kabelis nepatektų į pjovimo įtaiso darbo sritį.
- 9 **Dėmesio!** Saugokite nuo lietaus ir drėgmės.
- 10 Prieš bet kokius pjovimo agregato remonto ar reguliavimo darbus ištraukite kištuką iš elektros tinklo rozetės.



- 1 Gamintojas
- 2 Modelis
- 3 Gaminio numeris
- 4 Techninio aptarnavimo lygis
- 5 Serijinis numeris
- 6 Tipas
- 7 Variklio duomenys
- 8 Masė
- 9 Garso galios lygis

SAUGUMO NUORODOS

Nurodymas

- a) Jaunesni nei 16 metų ir su vejapjovės naudojimo nurodymais nesusipažinę asmenys jos naudoti negali.
- b) Naudojantis vejapjovę asmuo darbo teritorijoje atsako už pašalinių asmenų saugumą. Kai vejapjovė įjungta, vaikai ir naminiai gyvūnai turi būti atokiau nuo prietaiso.
- c) Prietaisu galima tik pjauti žolę. Negalima jo naudoti kitais tikslais (pvz. lyginti kurmių išraustos žemės ar skruzdėlynų).
- d) Dirbkite tik pakankamai apšviestoje teritorijoje.
- e) Prieš pradėdami pjauti patikrinkite, ar žolėje nėra pašalinių daiktų, kuriuos vejapjovė gali išsviesti. Pjaudami stebėkite, ar neliko jų pjaunamoje teritorijoje.

Paruošimas/veikimo būdas

- a) Pjaudami avėkite patvarius batus ir ilgus kelnes.
- b) Prieš pradėdami pjauti patikrinkite, ar peilis ir peilio tvirtinimo varžtas yra gerai pritvirtinti. Jei peilis sugadintas, jis turi būti pakeistas.
- c) Turite išjungti variklį, nuimti uždegimo žvakės antgalį ir palaukti, kol peilis nustos judėti prieš:
 - * transportuodami, perkeldami arba paimdami prietaisą iš darbo teritorijos;
 - * atlikdami remonto ir valymo darbus bei peilio apžiūrą;
 - * nustatydami pjovimo aukštį;
 - * palikdami prietaisą be priežiūros.Dėmesio! Užvedus variklį, peilis iš karto pradeda sukstis.
- d) Dėmesio! Kuras gali lengvai užsidegti:
 - * Laikykite kurą tik jam skirtuose bakuose.
 - * Baką pildykite tik atvirame ore ir jokiū būdu tai darydami nerūkykite.
 - * Prieš užveddami variklį, baką visiškai užpildykite benzinu. Kai variklis įjungtas ar dar šiltas, niekada neatidarykite bako dangtelio ir nepilkite benzino.
 - * Jei išpylėte benzina, niekada nebandykite užvesti variklio. Pastatykite prietaisą kitoje vietoje ir saugokite nuo galimo ugnies židinio, kol išgaruos benzinas.
 - * Gerai užsukite bako dangtelį.
- e) Prietaisai su vidaus degimo varikliu, siekiant išvengti apsinuodijimo pavojaus, neturi būti užvedami uždaroje patalpose.
- f) Pjaudami eikite, niekada nebėkite.
- g) Kai norėsite prietaisą apsukti, arba kai jį trauksite savęs link, būkite ypatingai atsargūs.
- h) Jei dirbate šlaituose ar pakalnėse, turite imtis ypatingų atsargumo priemonių:
 - * avėkite neslystančius batus;
 - * atsargiai vaikščiokite;
 - * dirbdami eikite aplink kalną, o ne į kalną ar pakalnę;
 - * keisdami eigos kryptį, būkite labai atsargūs;
 - * nedirbkite pernelyg stačiuose šlaituose.
- i) Vejapjovės negalima naudoti, jei apsaugos įrenginiai (dangtis, žolės surinktuvas ir t.t.) sugadinti, netinkamai įmontuoti arba jų visiškai nėra.
- j) Dėl netinkamai įmontuotos žolės surinkimo ar išmetimo įrangos, peiliai gali pakelti į orą ir išsviesti papuolusius daiktus.

- k) Saugumo sumetimais variklio apsisukimų skaičius negali viršyti duomenų, pateiktų ant gaminio etiketės.
- l) Pagal naudojimo nurodymus atsargiai užveskite variklį. Kai variklis įjungtas, niekada nelieskite ir neikiškite kojų ar rankų po vejapjovės korpusu. Apsauginio dangčio liesti taip pat negalima..
- m) Užvesdami variklį bei dirbdami, nekelkite aukštyn galinės vejapjovės dalies.
- n) Jei peiliai susidūrė su kokia nors kliūtimi, reikia nedelsiant išjungti variklį ir nuimti uždegimo žvakės antgalį. Vejapjovė turi būti patikrinta įgaliotame techninės priežiūros centre.

Priežiūra ir saugojimas

- a) Visos veržlės, sraigčiai ir varžtai visada turi būti gerai priveržti, kad jūsų vejapjovė būtų paruošta saugiam darbui.
- b) Niekada nestatykite prietaiso (kai jo bakas pilnas kuro) tokiose vietose, kur kuro garai galėtų pasiekti atviros ugnies šaltinį ar kibirkštis.
- c) Tik varikliui atvėsus, gaminį galite padėti į patalpą.
- d) Ant variklio, duslintuvo, akumuliatoriaus tvirtinimo skyriaus ir kuro bako neturi būti žolės, lapų ir tepalo. Taip sumažės gaisro rizika.
- e) Nuolat tikrinkite, ar vejapjovės žolės surinktuvas nesusidėvėjo.
- f) Reikia nedelsiant pakeisti susidėvėjusias arba pažeistas vejapjovės detales.
- g) Jei reikia išpilti iš bako benzina, tai darykite tik atvirame ore.
- h) Pagal nurodymus sumontuokite peilius. Naudokite tik tokius peilius, ant kurių yra nurodytas gamintojas (ar jo ženklas) arba tiekėjas ir pažymėtas užsakymo numeris.
- i) Keisdami peilius, naudokite apsaugines pirštines - taip apsaugosite rankas.

A**APRAŠYMAS**

1	Viršutinė rankena	12	Apsauginis dangtis
2	Apatinė rankena	13	Akseleratoriaus svirtelė
3	Viršutinės rankenos tvirtinimo sparnuojami veržlė	14	Variklio stabdymo svirtis
4	Žolės surinktuvas	15	Pavaros reduktorius
5	Alyvos bakelio dangtelis	16	Gembė
6	Variklio alyvos išleidimo varžtas	17	Uždegimo raktas
7	Korpusas	18	Pavaros sankabos svirtis
8	Pjovimo aukščio nustatymo svirtis	19	Ašmenų užkabinimo svirtis
9	Uždegimo žvakė	20	Pagerintos automatinės pavaros greičio svirtis
10	Kuro bako dangtelis	21	Kuro siurbliukas
11	Variklio starterio rankenėlė		

B**ŽOLĖS SURINKTUVO MONTAVIMAS****C****APSAUGINIO MONTAVIMAS** *(jeigu dar nesurinktas)***D****ŽEMUTINIŲ RANKENŲ MONTAVIMAS** *(Žemutinių)***E****AUKŠTUTINIŲ RANKENŲ MONTAVIMAS** *(Aukštutinių)***F****RATO SURINKIMAS** *(jeigu dar nesurinktas)***G****RANKENŲ REGULIAVIMAS** *(tik tiems modeliams, kur tai įeina į sudėtį)***H****MULČIAVIMO KAMŠČIO ĮSTATYMAS** *(tik tiems modeliams, kur tai įeina į sudėtį)*

Norėdami pjauti žolę mulčiavimo sistema (žolė nesurenkama), pakelkite apsauginį dangtį, įmontuokite kamštį ir pritvirtinkite spyruoklę, kaip parodyta.

I**PJOVIMO AUKŠČIO NUSTATYMAS****J****APSAUGOS PRIEMONĖS**

- Dirbkite tik tinkamai uždeję žolės surinktuvą arba apsauginį dangtį.
- Prieš nuimdami žolės surinktuvą arba nustatydami pjovimo aukštį, išjunkite variklį.
- Kai variklis įjungtas, niekada nelieskite ir neikiškite kojų ar rankų po vejpajovės korpusu. Apsauginio dangčio liesti taip negalima.

Prieš pradėdami pjauti, pašalinkite iš žolės visus pašalinius daiktus, o pjaudami stebėkite ar jų neliko pjaunamame plote.

Užvesdami variklį bei dirbdami, nekelkite aukštyn galinės vejpajovės dalies.

Kai variklis įjungtas, niekada nelieskite ir neikiškite kojų ar rankų po vejpajovės korpusu. Apsauginio dangčio liesti taip negalima.



VEIKIMAS

VVARIKLIO PARUOŠIMAS (Piešinis KI)

Skaitykite variklio gamintojo pateiktą naudojimosi instrukciją.



Dėmesio: prieš naudodami vejąplovę, į variklį pripilkite alyvos (0,6 l).

VARIKLIO UŽVEDIMAS (Piešinis KII)

Paruošę prietaisą, galite užvesti variklį:

a) Varikliai su oro sklende:

jei variklis šaltas, akceleratoriaus svirtelę (Piešinis KIII-13) nustatykite į „START“ padėtį.

b) Prispauskite variklio stabdymo svirtį (14) prie viršutinės rankenos, taip paruošite variklį užvedimui. Užvesdami variklį ir darbo metu, laikykite stabdymo svirtį pritrauktą - taip stabdžių trinkelė bus atitraukta nuo smagračio.

c) Varikliai su degalų pildymo sistema:

3 arba 4 kartus paspauskite ant karbiuratoriaus esantį kuro siurbliuką (21), akceleratoriaus svirtelę (13) nustatykite į „MAXI“ padėtį.

Variklio naudojimo instrukcijoje pateikta daugiau nuorodų.

d) Variklio užvedimas:

Rankinis užvedimas (prispauskite variklio stabdymo svirtį (14) prie viršutinės rankenos).

● Variklio starterio rankenėlę (11) nestipriai patraukite, kol, veikiant kompresijai, pajusite pasipriešinimą. Atleiskite rankenėlę ir stipriai patraukite.

ELEKTRINIS PALEIDIMO BŪDAS. (prispauskite variklio stabdymo svirtį (14) prie viršutinės rankenos).

● Įstatykite elektros šakute (G) į variklio elektros rozetę (H). Pasukit uždegimo raktą (17).



DEMESIO! Ašmenys pradeda sukstis tik paleidus variklį.

Mašinos darbo metu laikykite variklio stabdymo svirtį (14) prispaudus. Kai svirtis nusileidžia variklis sustoja.

PJOVIMAS (Piešinis KIII - KIV)

Norėdami pjauti žolę, stumkite prietaisą rankomis arba įjunkite automatinę pavarą.

Automatinė pavarą įjungiamo nuspaužiant sankabos svirtį (18) (Piešinis JIV); laikykite pavaros sankabos svirtį prispaužtą prie vejąplovės rankenos.



Atsargiai: įjunkite sankabą tik veikiant varikliui.

Automatinę pavarą išjunkite atleisdami sankabos svirtį (18).

AŠMENŲ STABDYMO VARIANTAS (Piešinis KV)

Dirbant varikliui patraukite rankeną (14) prie ramsčio ir laikykite prispaudus. Tiesiai paspauskite ašmenų sankabos svirtį (19) tam, kad ašmenys pradėtų sukstis.



Ispėjimas: kai rankena (14) nusileidžia, ašmenys sustoja, bet variklis dirba toliau.

PJOVIMAS

Norėdami pjauti žolę, stumkite prietaisą rankomis arba įjunkite automatinę pavarą.

Automatinė pavarą įjungiamo nuspaužiant sankabos svirtį (18) (Piešinis JIV); laikykite pavaros sankabos svirtį prispaužtą prie vejąplovės rankenos.



Atsargiai: įjunkite sankabą tik veikiant varikliui.

Automatinę pavarą išjunkite atleisdami sankabos svirtį (18).



SANKABOS MOVOS KABELIO REGULIAVIMAS (tik savaeigiams variantams)

Svarbu: jei, spaudžiant sankabos svirtį, neišjūngia automatinė priekinė pavarą, reikia sureguliuoti sankabos troselį. Ikiškite spyruoklę (P) į vieną iš kiaurymių (R) arba (S).



TECHNINĖ PRIEŽIŪRA



DĖMESIO! Prieš atlikdami techninės priežiūros darbus išjunkite variklį ir nuimkite uždegimo žvakės antgalį..

- Keturtakčiuose varikliuose reikia patikrinti alyvos lygį, papildyti, o jei ji nešvari - pakeisti. Daugiau informacijos rasite variklio naudojimosi instrukcijoje.
- Nuolat tikrinkite vejąplovę ir pašalinkite korpuso apačioje susikaupusią žolę.
- Valydami vejąplovę niekada nepilkite ant jos vandens, nes galite sugadinti elektrinį starterį.
- Būkite atsargūs, nes duslintuvas gali būti karštas.
- Dažnai tikrinkite, ar rotaciniai peiliai nėra pažeisti.

- Ei vejąplovės peilis atsimušė į kokį nors kietą daiktą, prietaisas turi būti patikrintas įgaliojame techninės priežiūros centre.
- Apatinės korpuso dalies valymas
Mašina turi būti išjungta, nejudančioje padėtyje.
 - Vandens žarnos antgalį (22) prijunkite prie korpuso esančios jungties. Paleiskite vandenį.
 - Užveskite variklį (peilis sukasi) ir palikite jį keletą minučių užvestą.
 - Baigę valyti išjunkite variklį, nutraukite vandens tiekimą, atjunkite vandens žarną nuo jungties ant korpuso.

N

ROTACINIS

- Norėdami nuimti peilį (23), atsukite varžtą (24).
- Patikrinkite peilio laikiklį (25), poveržles (26), pleišta (27) ir, jei reikia, pakeiskite.
- Montuodami patikrinkite, ar pleištas (27) įstatytas į ašį, o peilis pritvirtintas taip, kad ašmenys būtų nukreipti variklio sukimosi kryptimi. Peilis turi būti pritvirtintas varžtu (24) ir jo užveržimo momentas turi būti 5.34 Kgm (52.4 Nm).

AŠMENŲ STABDYMO VARIANTAS

- Tam, kad nuimti ašmenys (29) atsukite sraigta (30)
- Patikrinkite ašmenų būklę ir pakeiskit turinčias pažeidimus detales. Pakartotiniai surinkdami naudokite du sraigtus (30) kurie turi būti užveržti su apsisukimo momentu iki 5,34 kgm (52,4 Hm)

O

ELEKTRINIO PALEIDIMO KOMPLEKTAS

- Prieš pirmą karą paleidžiant variklį rekomenduojama maždaug 2 – 3 valandas pakrauti bateriją
- Jeigu bateriją paleidimo metu duoda mažą įtampą, pakraukite ją 24 valandas.
- Paleidžiant nelaikykite startą paspaustu ilgiau, nei 5 sek.

AKUMULIATORINĖS BATERIJOS UTILIZACIJA.



Šios baterijos turi markiruote su užrašu „uždaroji dėžė utilizavimo atliekoms“, turi simbolį Pb (baterija turi savo sudėtyje šviną) ir neturi būti utilizuotos buitinių atliekų konteineriuose.

AKUMULIATORINĖS BATERIJOS TECHNINIS AP-TARNAVIMAS.



SVARBI PASTABA:

Teisingam akumuliatorinės baterijos (31) techniniam aptarnavi-mui, ypač ruošiant ją ilgai prastovai, tam, kad perkrauti nebūtina reikalinga išimti ją iš skyriaus, paprastai padarykite sekanti:

- 1) Atjunkit kontaktą (32)
- 2) Laikykite bateriją vėsoje sausoje vietoje.
- 3) Prieš naudojant perkraukite ją kambarinėje temperatūroje 24-36 valandas.
- 4) Prieš naudojant vėl prijunkit kontaktą (32)



Vartotojas pagal įstatymus privalo perduoti išnaudotas akumuliatorines baterijas į specialų surinkimo punktą ar grąžinti jų pardavėjui.

GARANTUJAMAS IR GARANTAVIMO POLITIKA

Jeigu garantinio laikotarpio metu dėl nekokybiškos gamybos atsiras bet kurios dalies gedimu, kompanija „Husqvarna Auto-door Prodakst“ savo įgaliotųjų serviso specialistų pagalba atliks klientui nemokamą remontą ar pakeis dalys su sąlyga, kad

- a) Dėl gedimo bus tiesioginiai pranešta remonto įgaliotajam specialistui;
- b) Bus pateikti pirkimo įrodymai
- c) Gedimas atsitiko ne dėl nedėmesingo ar netinkamo vartojimo ir ne dėl naudotojo neteisingos reguliotes;
- d) Gedimas atsirado ne dėl natūralaus nusidėvėjimo priežasčių;
- e) Jeigu šis prietaisas nebuvo serviso aptarnavime ar nebuvo remontuojamas, nebuvo demontuotas ir jo atžvilgiu nebuvo kokio nors kito žmogaus įsikišimo, kuris neturėjo tam „Husqvarna Autodoor Prodakst“ įgaliojimų;
- f) Jeigu šis prietaisas nebuvo nuomojamas;
- g) Jeigu šis prietaisas nebuvo vartojamas už tos šalies ribų, kurioje jis buvo nupirktas;
- h) Jeigu šis prietaisas nebuvo vartojamas komercijos tikslams.

- Ši garantija yra papildoma ir jokių būdu nesumažina kliento teisių.

Surišti su žemiai išdėstytu gedimai nekompensuojami, todėl yra labai svarbu kad Jus susipažintum su šia Operatoriaus

Instrukciją ir suprastum kaip reikia dirbti ir kaip reikia atlikti šio prietaiso techninį aptarnavimą;

Gedimai, kuriems netaikoma šia garantija:

- Pažeistų ar nusidėvėjusių ašmenų keitimas;
- Gedimai, kurie atsirado dėl pirminio gedimo pranešimo nebuvimo;
- Gedimai, kurie atsirado dėl staigaus stūmimo;
- Gedimai, kurie atsirado dėl instrukcijų ar rekomendacijų neprisilaikymo eksploataavimo metu, kurios yra aprašytos šioje Operatoriaus Instrukcijoje.
- Atiduotiems ir nuomą prietaisams ši garantija netaikoma;
- Toliau įvardinti gaminiai skaitosis turintieji palinkimą nusidėvėjimui ir jų tarnybos terminas priklauso nuo regulia-raus techninio aptarnavimo, todėl dėl jų paprastai nereiškia jokių teisminių pretenzijų dėl garantinių įsipareigojimų: Ašmenys, Elektros tinklų kabeliai, Pavaros diržai.

• DĖMESIO!

„Husqvarna Autodoor Prodakst“ neprisiima sau atsakomybės šios garantijos ribose dėl tų gedimų, kurie pilnai ar dalinai, tiesioginiai ar netiesioginiai atsirado dėl atsarginių dalių ar papildomų dalių pastatymo, kurios nebuvo „Husqvarna Auto-door Prodakst“ pagamintos ar patvirtintos ar jeigu prietaisas buvo pakeistas kaku nors kitu būdu.

ATITIKTIES DEKLARACIJA

Aš, žemiau pasirašęs Bengt Ahlund, Husqvarna Outdoor Products Italia Spa, Via Como 72, 23868 Valmadrera (LC) liudiju, kad ši vežapjovė:

Kategorija..... *Ritulinė benzininė sukimosi mašina*

Gamintojas *Husqvarna Autodoor Prodakt*

Atitinka Direktyvos 2000\14\ EES specifikacijoms..

Tipas..... *A*

Versija *B*

Apiėmimo plotis *C*

Garantuojamas garso galios lygis *D*

Išmatuotas garso galios lygis *E*

Garso slėgio lygis klausai *G*

Pjaunamojo įtaiso rūšis *sukantis atgalis*

Serijos nustatymas *Žiūrėkit šio produkto nominalinių reikšmių etiketė*

Atitikties nustatymo procedūra *ANNEX VI*

Gavusios pranešimą instancijos *Nr. 0470 - NEMKO AS*

Gaustadalleen 30 - PO Box 73 Blindern

0314 OSLO - Norway

Kitos Direktyvos *98/37/EC, 93/68/EEC, 2002/88/EC, 2004/108/EC*

Rankenos vibracija..... *EN836,EN ISO14982,EN1033,EN ISO 3744,EN ISO11201*



Bengt Ahlund
Techniskais direktors

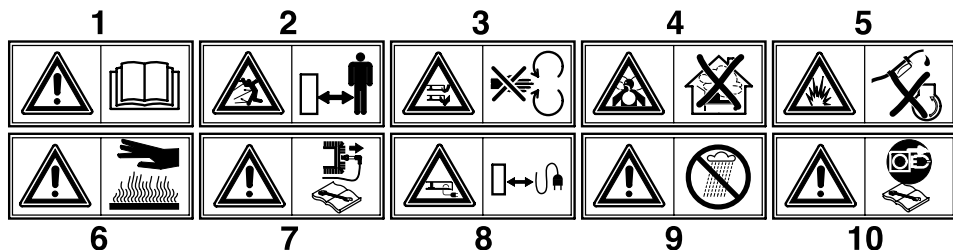
Husqvarna Outdoor Product Italia S.p.A.

Via Como 72 - 23868 Valmadrera (LC)

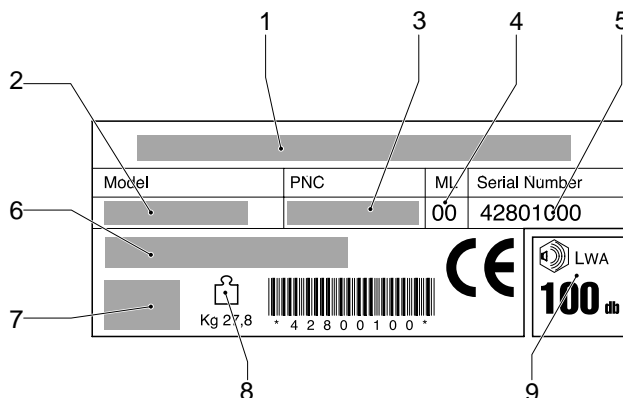
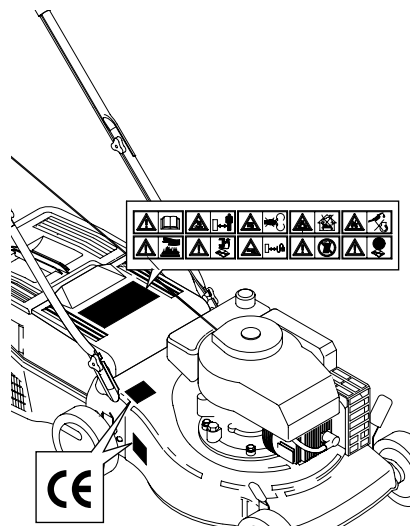
3/08/2006

Spoštovani kupec, zahvaljujemo se Vam za nakup enega naših proizvodov in Vam želimo veliko zadovoljstva pri delu z novo kosilnico.

Preden pričnete z uporabo kosilnice, pozorno preberite navodila, predstavljena v tem prirorniku, da bi spoznali in razumeli njeno vsebino glede pravilne uporabe kosilnice in temeljnih varnostnih ukrepov pri delu.



- 1 **Pozor!** Pozorno preberite navodila preden pričnete z uporabo kosilnice.
- 2 Oddaljite tuje osebe iz delovnega območja kosilnice!
- 3 **Pozor!** Nevarnost poškodb rok in nog!
- 4 **Nevarnost vdihavanja strupenih izpušnih plinov!** Nikoli ne uporabljajte kosilnice v zaprtem ali slabo zraccnem prostoru.
- 5 **Nevarnost eksplozije!** Ne nalivajte gorivo v kosilnico, ko motor deluje.
- 6 **Pozor!** Vroča površina.
- 7 **Pozor!** Ugasnite motor in snemite kabel s svečke pred kakršnekoli vzdrževalnem delu
- 8 Vedno ohranite razdaljo med električnim kablom in rezilom.
- 9 **Pozor!** Zaščitite pred dežjem in vlažnostjo.
- 10 Ugasnite motor in snemite električni kabel pred kakršnekoli vzdrževalnem delu.



- 1 Izdelovalec
- 2 Modell
- 3 Šifra izdelka
- 4 Oznaka spremembe
- 5 Serijska številka izdelka
- 6 Tip
- 7 Lastnosti motorja
- 8 Teža
- 9 Nivo hrupa

VARNOSTNI UKREPI

Usposabljanje

- a) Osebe, ki niso seznanjene z navodili za uporabo, ne smejo uporabljati motorno kosilnico. Lokalni predpisi lahko določijo najnižjo starost za uporabo stroja
- b) Za nastalo škodo pri delu s kosilnico odgovarjate sami. Oddaljite iz delovnega območja stroja otroke in domače zivali.
- c) Kosilnico lahko uporabljate samo za košnjo trave. Ni dovoljena uporaba kosilnice v druge namene (npr.: za izravnavanje terena ipd.).
- d) Kosite vedno pri dobri vidljivosti.
- e) Pred začetkom košnje je potrebno s travnika odstraniti vse trde predmete. Med košnjo bodite pozorni na morebitne predmete, ki so ostali na travniku.

Prisravnica/Delovanje

- a) Med košnjo nosite evrsto obutev in dolge hlače.
- b) Pred začetkom košnje preverite, če je orodje dobro pritrjeno. Če je potrebno, rezilo enakomerno zbrusite na obeh straneh, da bi ohranili ravnovesje rezila. Ob večjih poškodbah rezila potrebno ga je zamenjati z novim.
- c) Ugasnite motor, odstranite kabel iz svečke preden:
 - kosilnico premikate, dvigujete ali prevržate,
 - prienete z vzdrževanjem ali eiščenjem kosilnice,
 - prienete kakršenkoli poseg na rezilu,
 - nastavite višino reza,
 - pustite kosilnico nezavarovano.Rezilo se vrti še nekaj sekund po tem, ko ste motor ugasnili!
- d) **Pozor!** Gorivo je zelo hitro vnetljivo:
 - Gorivo hranite samo v namenskih sodih.
 - Nalivanje/pretakanje goriva opravite vedno na prostem in ne kadite!
 - Rezervoar napolnite z gorivom vedno pred zagonom motorja. Ko motor deluje ali je še vroc, zamašek rezervoarja nikoli ne odpirajte in ne dolivajte goriva.
 - Če ste polili gorivo, nikoli ne poskusite zagnati motor. Prestavite kosilnico na suho in preprecite, da pride do vziga dokler bencin ne izhlapi.
 - Evrsto zaprite zamašek rezervoarja.
- e) Kosilnice s 4-taktnim motorjem nikoli ne uporabljajte na zaprtem, ker obstaja nevarnost zastrupitve z izpušnimi plini.
- f) Med košnjo hodite, nikoli ne tecite.
- g) Bodite skrajno previdni, ko kosilnico obračate ali ko jo vlečete proti sebi.
- h) Med košnjo na strmini ali bregu bodite skrajno previdni:
 - uporabiti protizdrsne čevlje,
 - biti pozoren pri prestavljanju nog,
 - kositi vedno precno na strmino, nikoli proti bregu,
 - biti previden pri spremembi smeri vožnje,
 - ne kositi na veliki strmini ali bregu
- i) Ne uporabljajte kosilnice s popravljenimi, poškodovanimi varnostnimi napravami ali celo brez pravilno nameščenih varnostnih naprav (npr.: zadnji ščitnik, zbiralec pokošene trave).
- j) V primeru neprimerne uporabe zbiralca pokošene trave obstaja nevarnost s strani rotirajočega rezila in možnost izmeta predmetov navzven.

k) Iz varnostnih razlogov, motor ne sme nikoli preko-raiti tovarniško nastavljenega števila obratov, ki so navedeni na tipni tablici motorja.

l) Pazljivo pozenite motor ob upoštevanju navodil za uporabo motorja. Ko motor pozene, zmeraj poskrbite da se nihce ne približa z rokami ali nogami rotirajočemu rezilu ali odprtini za izmet pokošene trave.

m) Ko motor deluje, kosilnice ne dvigujte. Če je le potrebno, nagnite kosilnico tako, da je rezilo obrnjeno stran od uporabnika stroja.

n) Če ste z rezilom zadeli ob oviro, ustavite motor in odstranite kabel iz svečke. Kosilnico naj pregleda strokovno usposobljena oseba.

Vzdrževanje in hranjenje

- a) Za varno delo s kosilnico redno preverjajte, da so vijaki in matice pravilno pritrjeni.
- b) Nikoli ne nalivajte goriva v prostoru, kjer bi lahko bencinski hlapi prišli v stik z odprtim ognjem ali iskro. Obstaja nevarnost eksplozije! ve. cjem od 20 %! Obstaja nevarnost eksplozije!
- c) Pustite, da se motor ohladi, preden kosilnico shranite v zaprt in ozek prostor.
- d) Vedno odstranite ostanke trave, listja in mazava z motorja, glušnika in rezervoarja, ker lahko pride do pregrevanja motorja ali celo do požara.
- e) Redno preverite stanje zbiralca pokošene trave (košare).
- f) Iz varnostnih razlogov pravočasno zamenjajte obrabljene in poškodovane dele.
- g) Preden kosilnico pustite na zaprtem v zimskem obdobju, izpraznite rezervoar goriva na odprtem.
- h) Namestite rezila vedno ob upoštevanju ustreznih navodil. Uporabljajte samo originalna rezila z oznako imena ali znamke proizvajalca ali pooblaščenega trgovca ter referenčno številko.
- i) Za zaščitno rok pri opravlilih na rezilu vedno uporabite zaščitne rokavice

A**SESTAVNI DELI KOSILNICE**

1	Zgornji del ročaja	12	Zadnji ščitnik
2	Spodnji del ročaja	13	Vzvod za plin
3	Vijaki, matice za pritrditev ročaja	14	Varnostni vzvod (zaustavitev motorja)
4	Zbiralnik pokošene trave – košara	15	Sklop reduktorja
5	Zamašek za nalivanje olja	16	Komandna plošča
6	Zamašek za izpust olja	17	Ključ električnega zagona
7	Ohišje	18	Ročaj sklopke
8	Vzvodi za nastavitev višine reza	19	Vzvod za nastavitev rezila
9	Svečka	20	Vzvod hitrosti
10	Zamašek rezervoarja goriva	21	Črpalka za obogatitev
11	Ročica zagonске vrvice		

B**MONTIRANJE LOVILCA TRAVE****C****MONTIRANJE ZAPORNICE** *(če ni že sestavljen)***D****MONTIRANJE SPODNJE ROKE****E****MONTIRANJE ZGORNJE ROKE****F****MONTIRANJE KOLES** *(če ni že sestavljen)***G****NASTAVITEV ROKE** *(samo za tiste modele, kjer je to predvideno)***H****VKLOP ZAMAŠKA »MULCHING«** *(samo za tiste modele, kjer je to predvideno)*

Za košnjo s pomojo sistema »mulching« (brez pobiranja trave), dvignite š itnik in vstavite zamašek ter ga pritrdite, kot prikazano.

I**NASTAVITEV VIŠINE REZA****J****NASTAVITEV ŠČITNIKOV**

- Pred uporabo kosilnice, zmeraj namestite zbiralnik trave ali ščitnik.
- Preden odstranite zbiralnik trave ali naravnate višino reza, ugasnite motor.
- Med delovanjem motorja ne molite rok ali stopal pod rob ohišja ali v odprtino za izmet pokošene trave.

Pred začetkom košnje, s travnika odstranite vse tude predmete.

Med košnjo bodite pozorni na morebitne predmete, ki so ostali na travniku. Uporabnik kosilnice je odgovoren za tretje osebe v delovnem območju stroja.

Ne dvigujte kosilnice, ko se motor zaganja. Če je potrebno, kosilnico lahko nagnete tako, da rezilo obrnete stran od uporabnika.

Med delovanjem motorja se ne približujte z rokami ali stopali robu ohišja ali odprtini za izmet pokošene trave

K DELOVANJE

PRIPRAVA MOTORJA (slika Ki)

Pripravite motor ob upoštevanju navodil za uporabo motorja, ki ga je izdal proizvajalec.



POZOR: Pred uporabo kosilnice, nalijte olje v motor (0,6l).

ZAGON MOTORJA (slika KII)

Potem ko ste motor pripravili in namestili, poženite ga, kot sledi:

a) Motorji s sistemom "choke":

Ko je motor hladen, postavite vzvod za plin (slika KIII - 13) v položaj START.

b) Stisnite varnostni vzvod za zaustavitev (14), da omogočite zagon motorja in ga držite stisnjene med delovanjem kosilnice, ker se z izpustitvijo vzvoda motor ustavi.

c) Motorji s sistemom "primer":

Pritisnite 3-4 krat črpalko za gorivo na uplinjaču (21); prestavite vzvod za plin (13) v položaj MAX.

Za dodatna pojasnila si preberite navodila za uporabo motorja.

d) Zagon motorja:

ROČNI ZAGON (ob stisnjem vzvodu za zaustavitev motorja (14))

- Zgrabite ročico zagonske vrvice (11) in jo počasi vlecite dokler ne začutite odpor, ki ga povzroči kompresija, nato ročico malo popustite in jo potem sunkovito potegnite.

ELEKTRIČNI ZAGON

- Vtičač (G) vtaknite v vtičnico (H) na motorju. Obrnite ključ za vžig (17)



POZOR! Ko motor deluje, je v pogonu tudi rezilo!

Med delovanjem kosilnice držite stisnjen ročaj (14), ker se z njegovo izpustitvijo motor ustavi.

REZANJE (slika KIII - KIV)

Pri rezanju kosilnico potiskajte naprej ali vklopite funkcijo avtomatskega pogona.

Vklop avtomatskega pogona: dvignite ročico sklopke (18) in jo držite stisnjeno.



POZOR: Avtomatski pogon uporabljajte le med delovanjem motorja.

Izklop funkcije avtomatskega pogona: izpustite ročaj sklopke.

VERZIJA Z ZAVORO NOŽA (slika KV)

Med delovanjem motorja, povlecite ročaja (14) in jo držite stisnjeno; potisnite naprej vzvod za zagon rezila (19), da poženete rezilo. Med delovanjem kosilnice držite stisnjen ročaj (14), ker se z njegovo izpustitvijo motor ustavi.



POZOR! Po izpustitvi ročaja (14) se bo rezilo ustavilo, medtem ko bo motor nadaljeval z delovanjem.

REZANJE

Pri rezanju kosilnico potiskajte naprej ali vklopite funkcijo avtomatskega pogona.

Vklop avtomatskega pogona: dvignite ročico sklopke (18) in jo držite stisnjeno.



POZOR: Avtomatski pogon uporabljajte le med delovanjem motorja.

Izklop funkcije avtomatskega pogona: izpustite ročaj sklopke.

L NASTAVITEV KABLA SKLOPKE (samo za samohodne verzije)

OPOMBA: Če se ob stisnjem ročaju sklopke avtomatski pogon ne vklopi, nastavite kabel sklopke tako, da vstavite vzmet (P) v eno od naslednjih odprtih ploščice (R) ali v odprtino "S".

M VZDRŽEVANJE



Pozor! Ugasnite motor in snemite kabel s svečke pred kakršnekoli vzdrževalnim delom.

- Pri 4-taktnih motorjih redno preverite nivo olja. Če je potrebno dolijte ali zamenjajte olje. Za dodatna pojasnila, upoštevajte navodila za uporabo motorja.
- Občasno preverite, da so vijaki in matice dobro pritrjeni. Po končani košnji vedno odstranite ostanke pokošene trave in kosilnico temeljito očistite. Poskrbite, da je spodnji del ohišja kosilnice vedno čist.
- Ne čistite kosilnice z močnimi curki vode, ker lahko poškodujete sistem električnega zagona.
- Bodite pozorni na glušnik izpušnih plinov, ker se lahko opecete.
- Pogosto preverjajte stanje rezila, ki ne sme biti poškodovano.
- Priporočamo, da po končani sezoni košnje, kosilnico pregleda strokovno usposobljeni servis.
- Čiščenje pod ohišjem
Ustavite in ugasnite kosilnico
- Povežite priključek (22) na ohišju z črevom za vodo. Odprite vodo.
- Poženite motor (rezilo se vrti) in pustite delovati nekaj minut.
- Po čiščenju ugasnite motor. Zaprite vodo, odklopite črevo s priključka/ohišja.

N REZILU

- Za demontažo rezila (23), odvijte vijak (24).
- Preverite: nosilec rezila (25), torno podložko (26), zagozdo (27) in podložko (28). Če so ti deli poškodovani ali poceni, zamenjajte jih z novimi, originalnimi deli.
- Pri montaži rezila zagotovite, da bo zagozda (27) pravilno sedla v utor na motorni gredi in da bo ostrí del rezila obrnjen v smeri vrtenja motorja. Nato privijte vijak (24) s silo 5,34 Kpm (52,4 Nm).

VERZIJA Z ZAVORO NOŽA

- Za demontažo rezila (29), odvijte vijak (30).
- Preverite stanje rezila in zamenjajte morebitne poškodovane dele. Pri montaži rezila uporabite vijaka (30) in jih privijte s silo 5,34 Kgm (52,4Nm).

O SKLOP ELEKTRIČNEGA ZAGONA

- Preden prvič poženete motor, polnite baterijo 2-3 ure.

V primeru, da med zagonom baterija opazite nezadostno moč baterije, ponovno jo polnite 24 ur.

Pri zagonu motorja ne vztrajajte dlje kot 5 sekund.

VZDRŽEVANJE BATERIJE



POZOR

Za pravilno vzdrževanje baterije (31), posebej med dolgimi obdobji mirovanja in pri polnjenju, baterije ni potrebno odstraniti iz ohišja ampak ukrepati, kot sledi:

- 1) Iztaknite kontakt (32)
- 2) shranite baterijo v suhem in hladnem prostoru
- 3) Pred uporabo ponovno polnite baterijo 24-36 ur pri sobni temperaturi
- 4) Vtaknite vklop (32) pred uporabo.

ODLAGANJE BATERIJE



Baterije z oznako "prečrtanega zabojnika" in kemijskega elementa Pb (=baterija, ki vsebuje svinec) ne odlagati med hišni odpad.



Uporabnik ima obveznost odlagati uporabljene baterije v namenske zabojnike ali jih vrniti prodajalcem.

GARANCIJA & POLICA GARANCIJE

Dele, za katere bi se pokazalo v obdobju dveh let od prvega nakupa, da so okvarjeni zaradi slabe izdelave proizvajalca, bo firma Husqvarna Outdoor Products preko pooblaščenih servisov brezplačno popravila ali zamenjala pod sledečimi pogoji:

- a) da, napako prijavite direktno pooblaščenemu servisu.
- b) predložite dokazilo o nakupu.
- c) da, napaka ni vzrok nepravilne uporabe, malomarnosti ali napačne nastavitve.
- d) da, napaka ni posledica naravne obrabe.
- e) da, je bila naprava servisirana, popravljena, razstavljena ali drugače strokovno vzdrževana le od osebe pooblaščen od firme Husqvarna Outdoor Products.
- f) da, naprava ni bila na posodo
- g) da, je naprava last prvotnega kupca
- h) da naprava ni bila uporabljena v tržne namene.

● Ta dodatek h garanciji nikakor ne zmanjšuje kupčevih zakonitih pravic.

Naslednje okvare niso pokrite in je torej zelo pomembno, da pazljivo prečitate navodila v tem priročniku in razumete, kako opravljate in vzdržujete Vašo napravo:

Okvare, ki jih garancija ne pokriva:

- menjavo izrabljenih ali poškodovanih rezil

- okvare, ki so nastale vsled nepravilne prijave prvotne okvare
- okvare zaradi nenadnega udarca.
- okvare, ki so posledica uporabe proizvoda v nasprotju z navodili in priporočili, ki jih vsebuje priročnik.
- naprave, ki se uporabljajo za izposojanje
- Naslednji deli se smatrajo kot naravno obrabljivi. Njihova življenska doba je odvisna od vzdrževanja in torej ne morejo biti predmet normalnih garancijskih zahtevkov: rezila, električni kabel, jermen

● Opozorilo

Husqvarna Outdoor Products ne prevzame garancijske odgovornosti za okvare povzročene v celoti ali delno, direktno ali indirektno z zamenjavo nadomestnih ali dodatnih delov, ki niso proizvedeni ali potrjeni kot originalni deli Husqvarna Outdoor Products. Garancijska odgovornost preneha tudi če je bila naprava kakorkoli predelana.

EC IZJAVA PROIZVAJALCA O SKLADNOSTI PROIZVODA Z STANDARDI

Spodaj podpisani Bengt Ahlund, Husqvarna Outdoor Products Italia Spa, Via Como 72, 23868 Valmadrera (LC), potrjujem, da je kosilnica:

kategorija Rotacijska kosilnica na bencinski pogon

blagovna znamka Husqvarna Outdoor Products

v skladu z določbami Direktive 2000/14/EEC

Tip A

Verzija B

Širina rezaca C

Zajamčen nivo hrupa D

Izmerjen nivo hrupa E

Nivo akustičnega tlaka F

Vibriranje pri roki G

Vrsta naprave za rezanje Rotacijsko rezilo

Identifikacija serije Glej Etiketo Označbe Proizvoda

Postopek ugotavljanja skladnosti ANNEX VI

Obveščeno telo Nr. 0470 - NEMKO AS

Gaustadalleen 30 - PO Box 73 Blindern

0314 OSLO - Norway

Druge direktive 98/37/EC, 93/68/EEC, 2002/88/EC, 2004/108/EC

in po standardih EN836, EN ISO14982, EN1033, EN ISO 3744, EN ISO11201



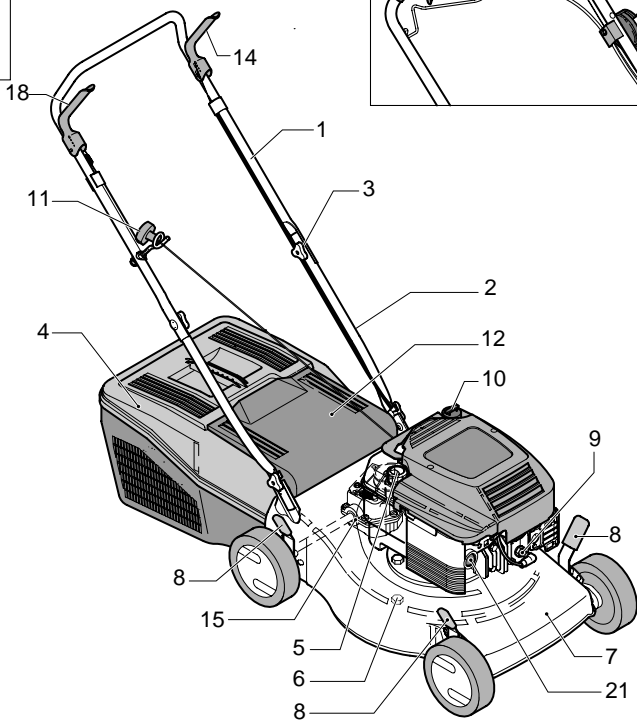
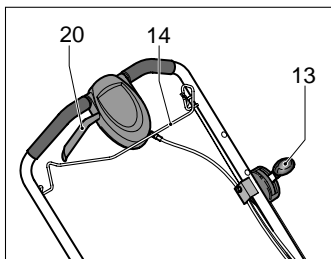
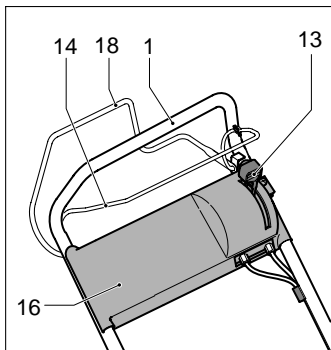
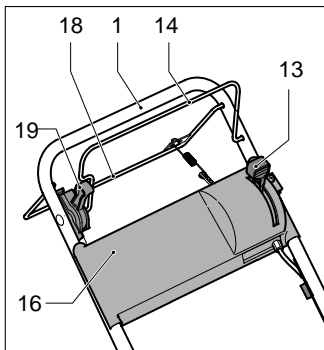
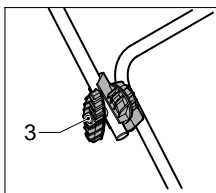
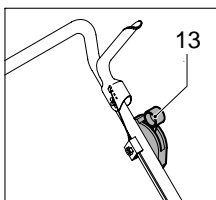
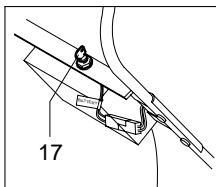
Bengt Ahlund
Technical Manager

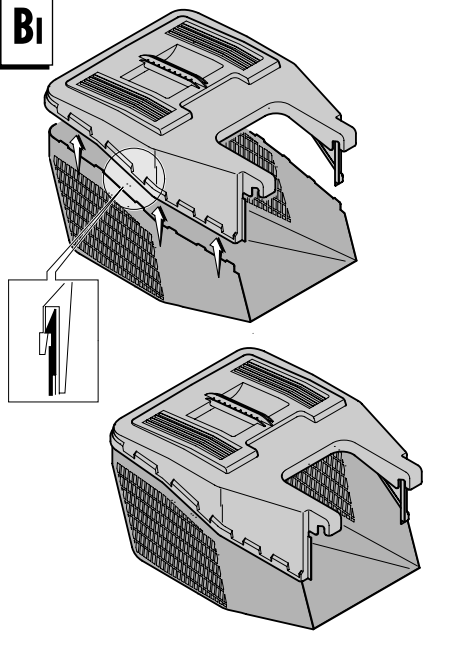
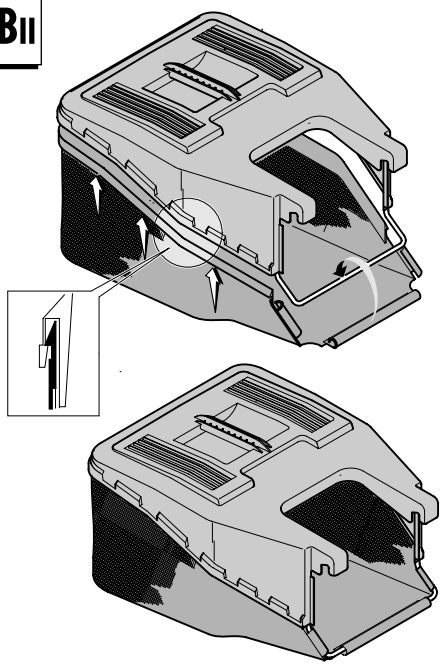
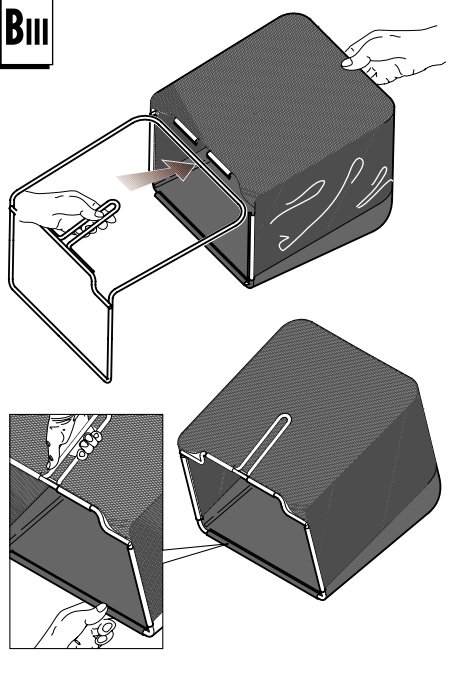
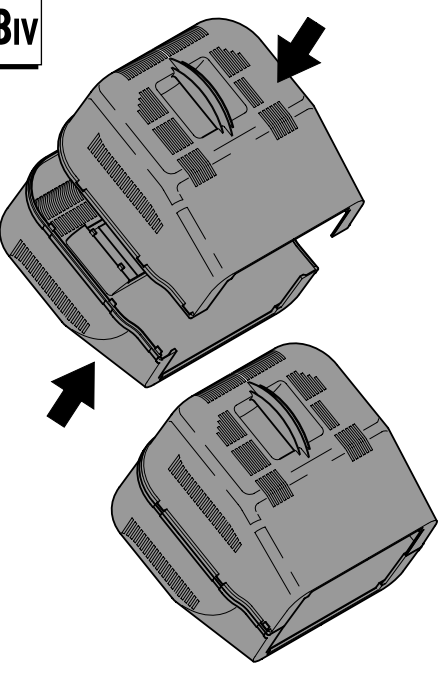
Husqvarna Outdoor Product Italia S.p.A.

Via Como 72 - 23868 Valmadrera (LC)

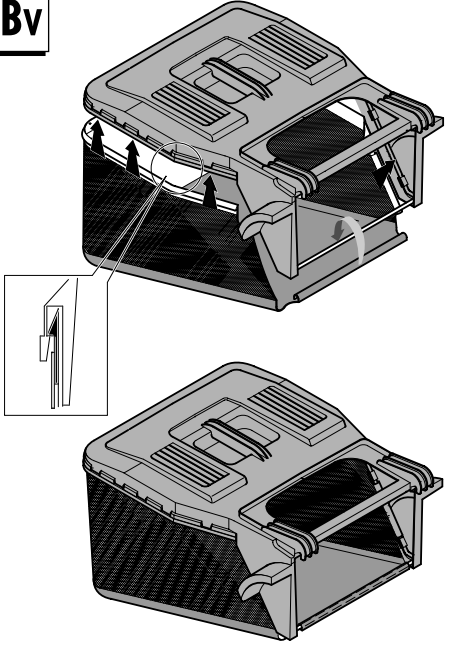
3/08/2006

A

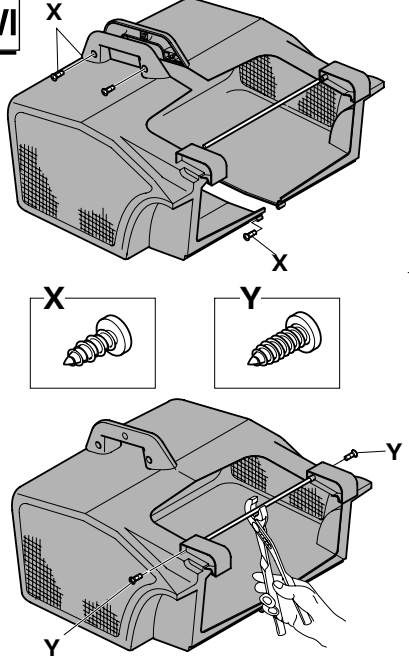


B I**B II****B III****B IV**

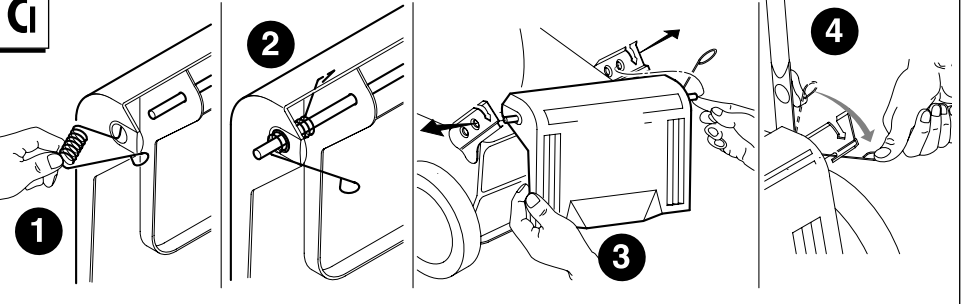
Bv



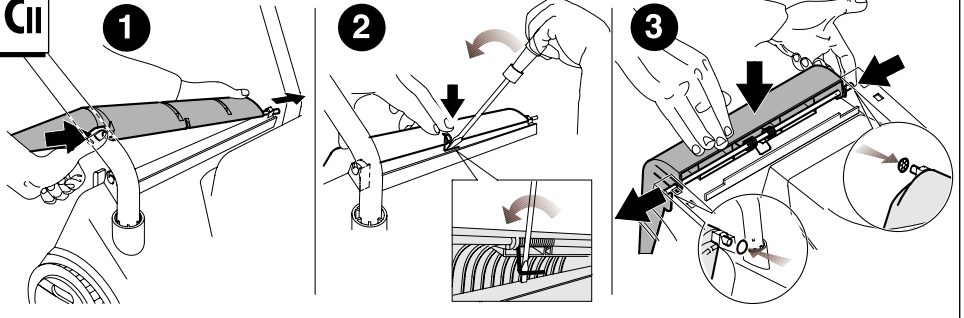
Bvi



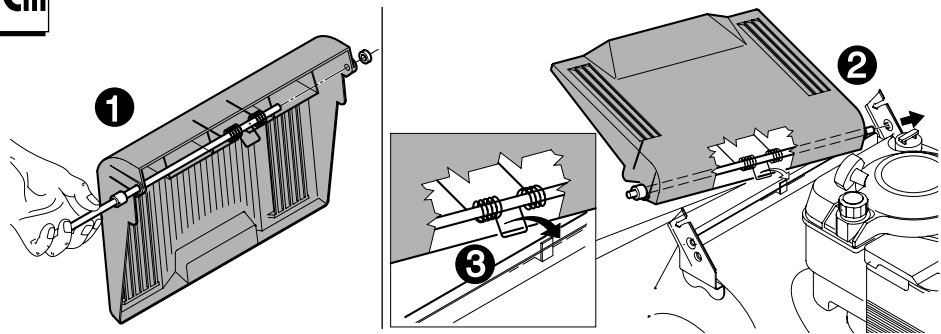
Ci



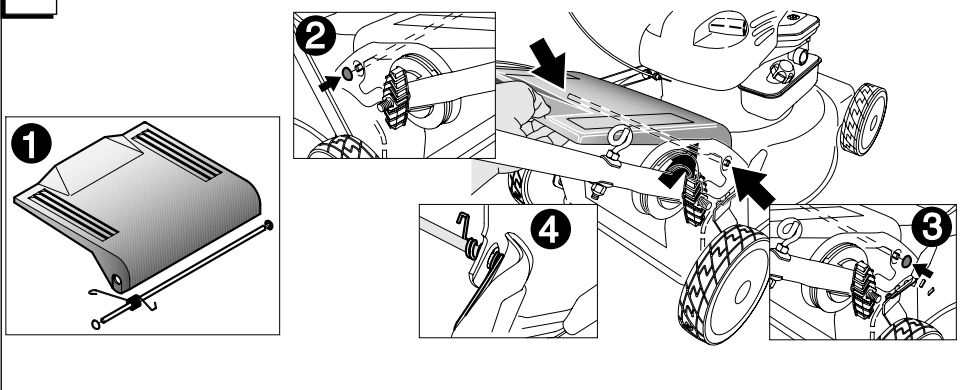
Cii



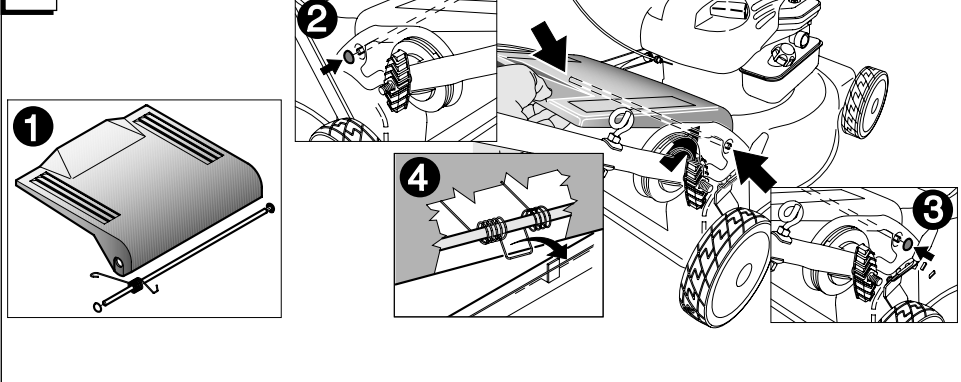
Ciii



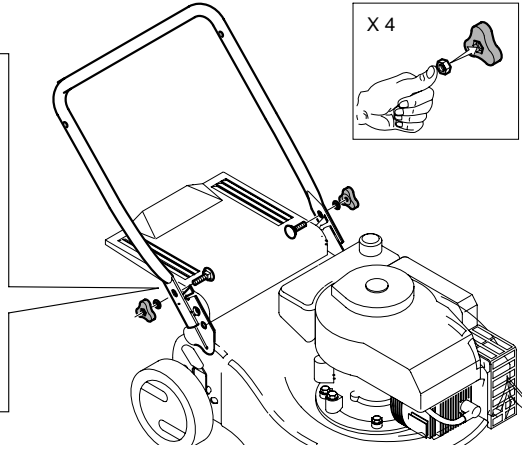
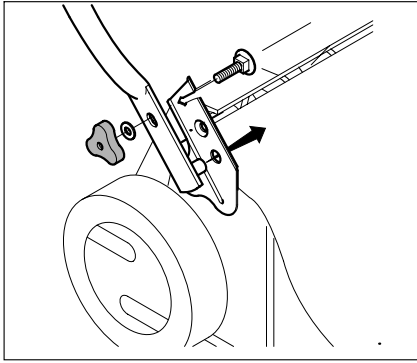
Civ



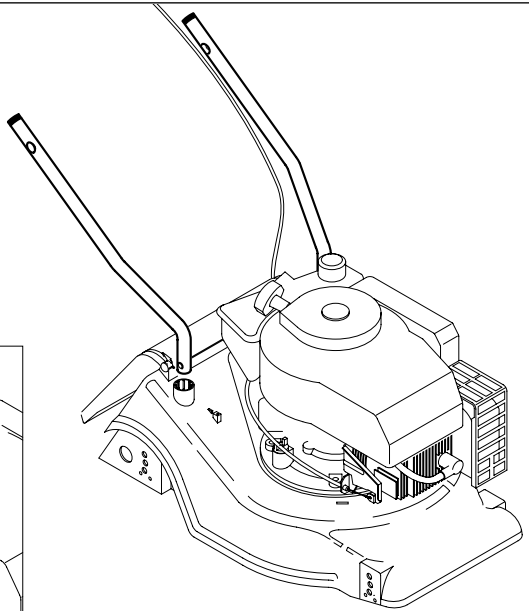
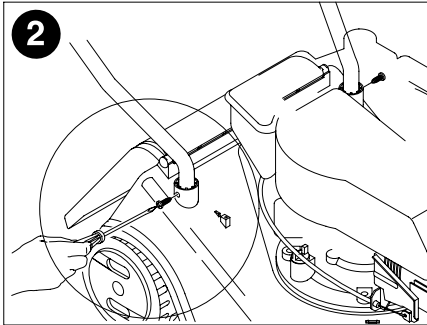
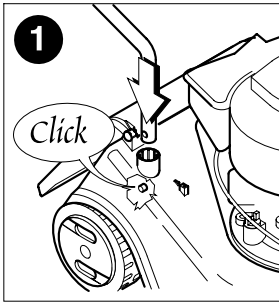
Cv



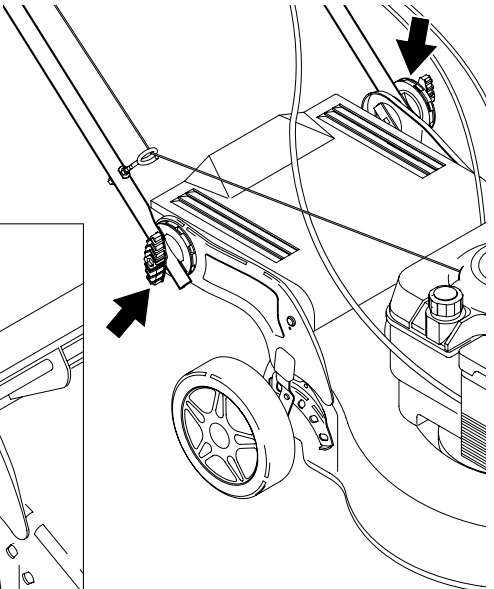
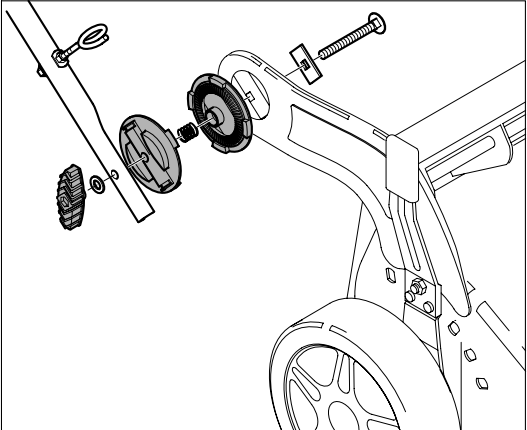
D I



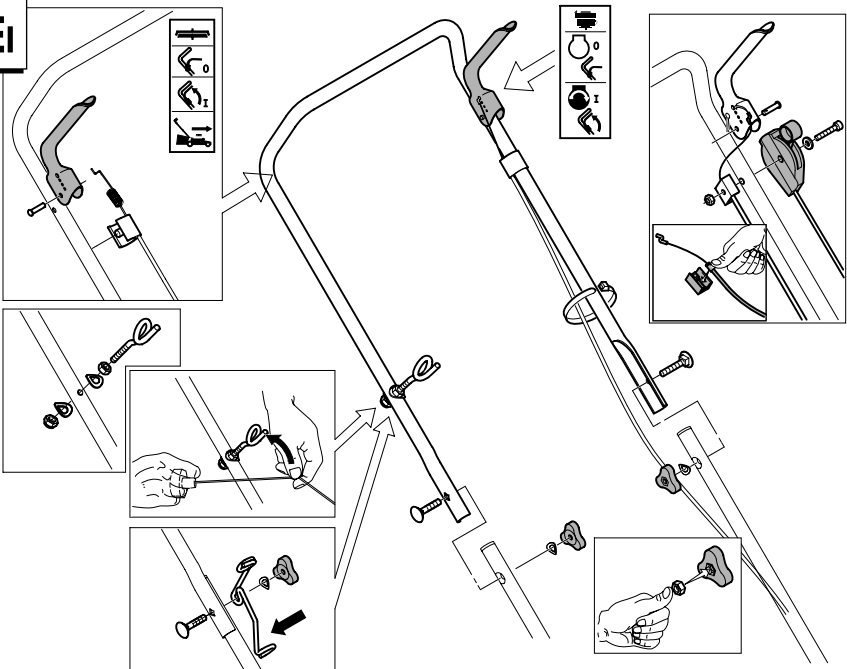
D II



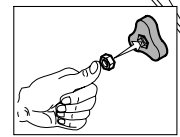
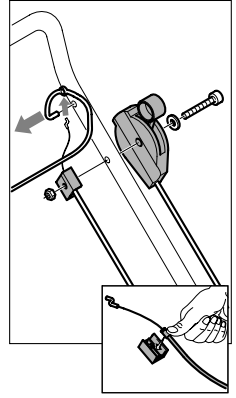
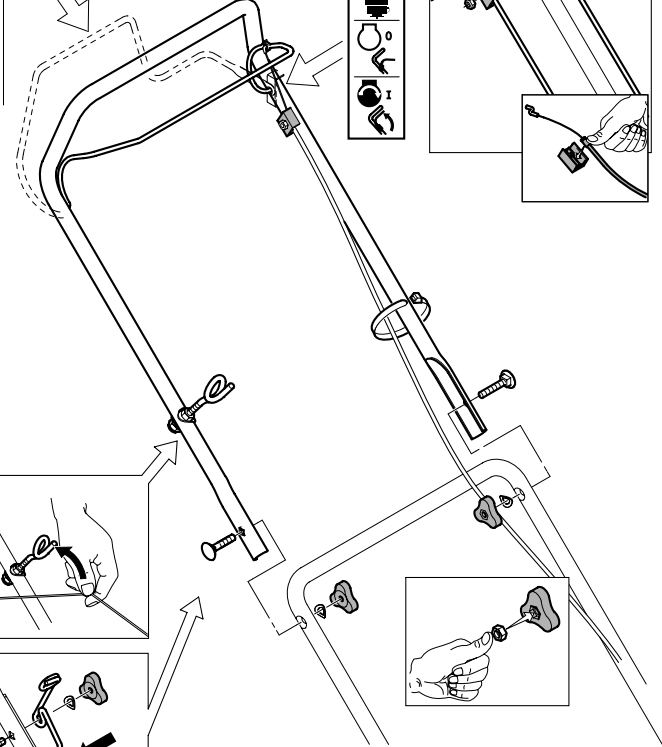
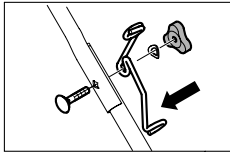
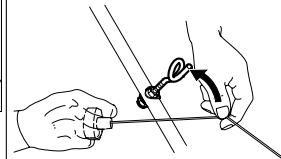
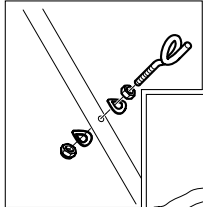
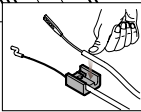
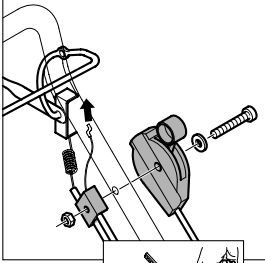
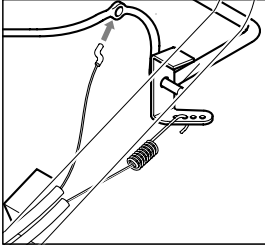
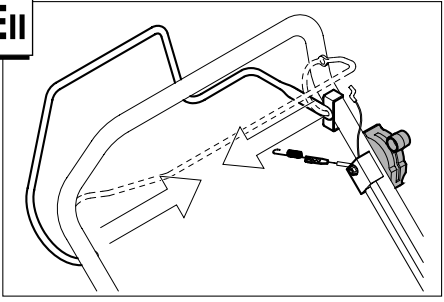
DIII



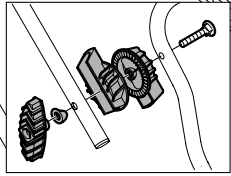
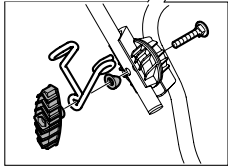
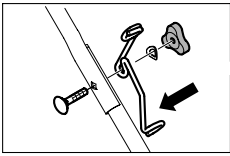
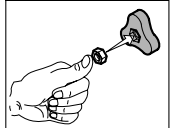
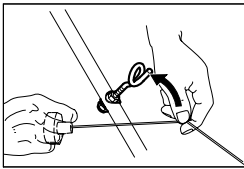
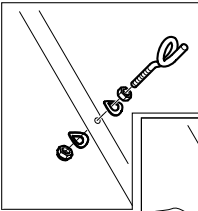
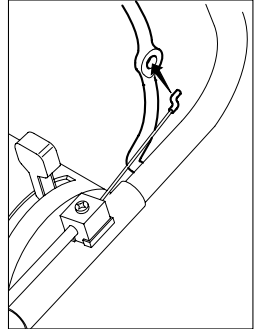
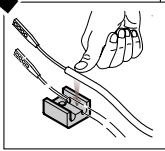
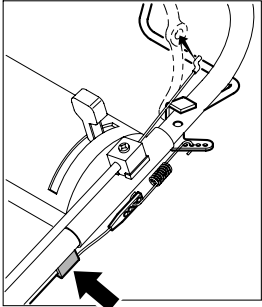
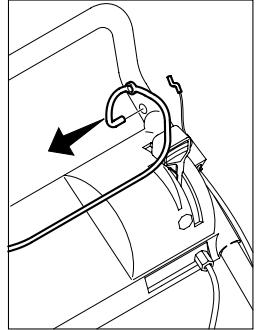
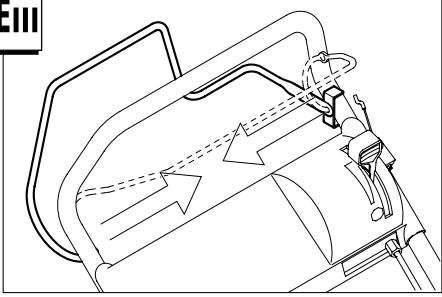
E1



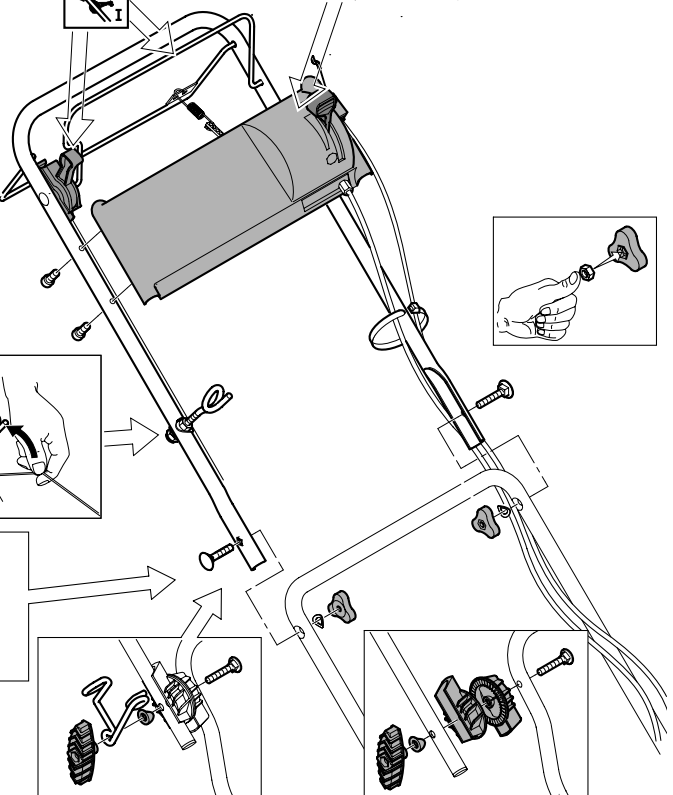
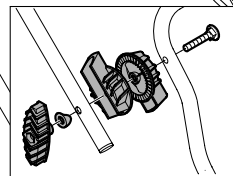
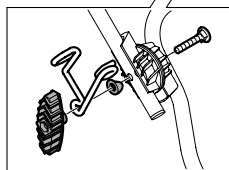
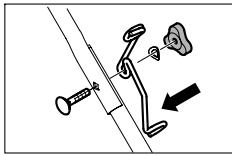
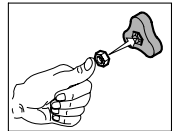
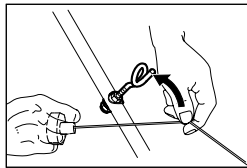
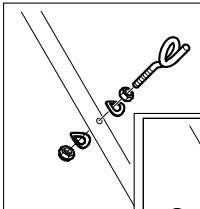
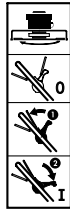
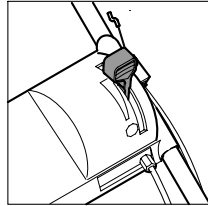
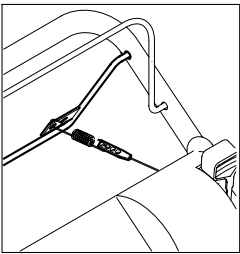
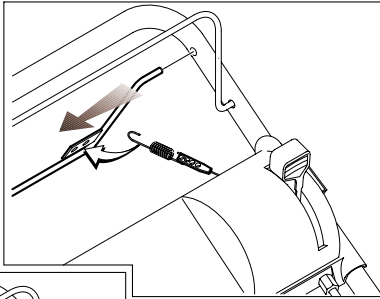
E11



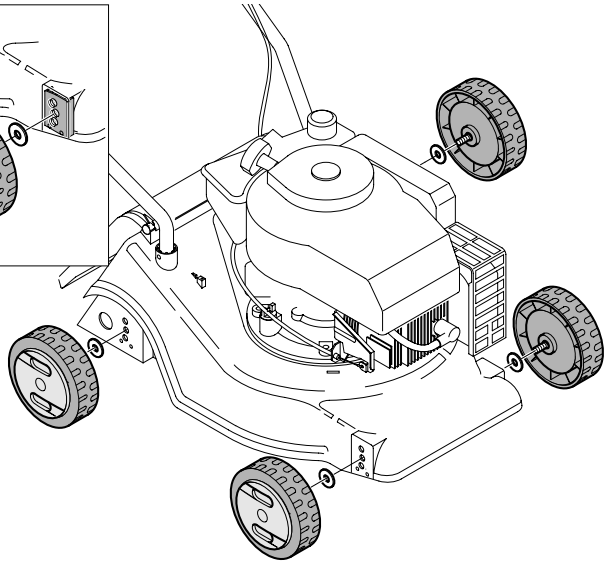
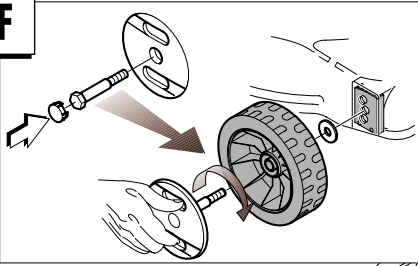
Ein



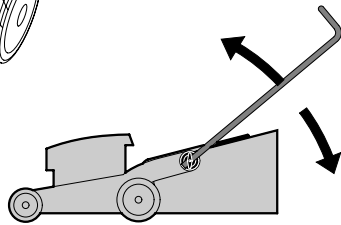
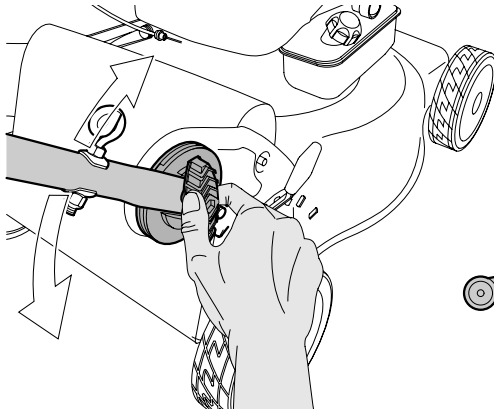
Eiv



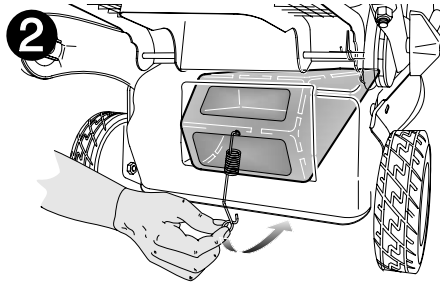
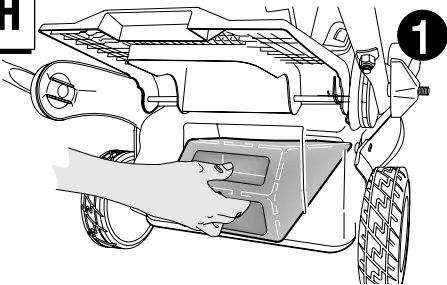
F

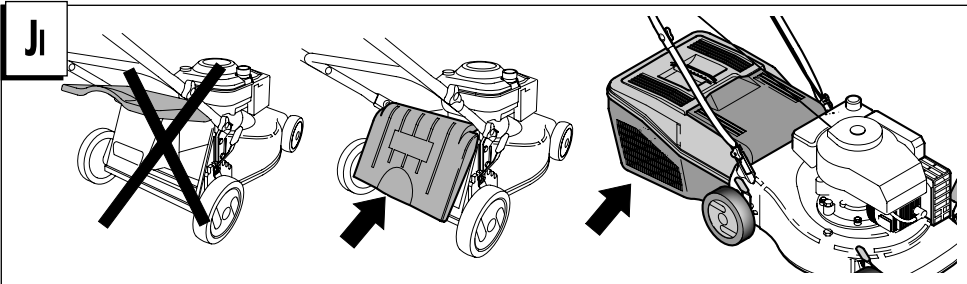
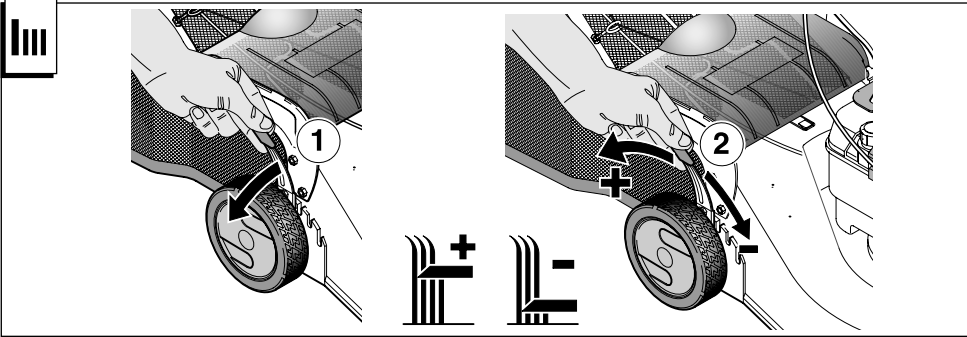
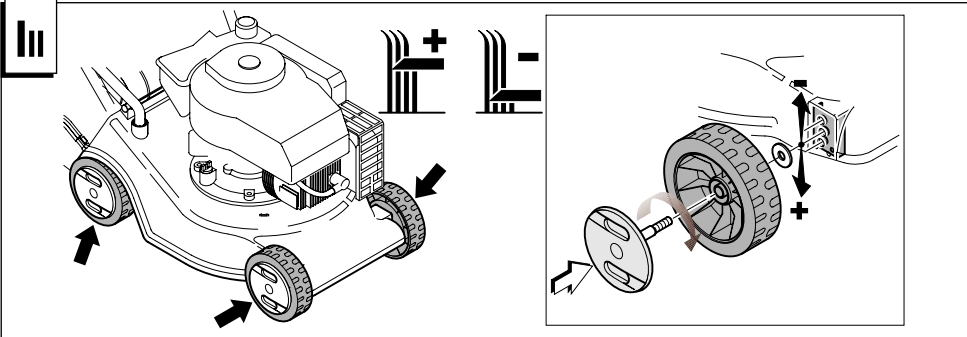
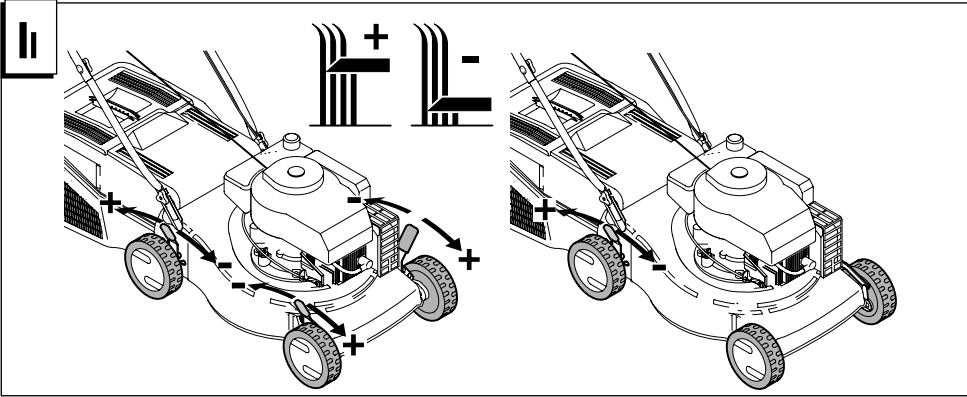


G

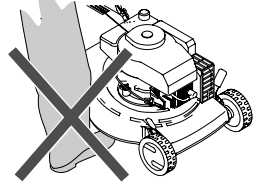
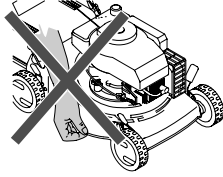
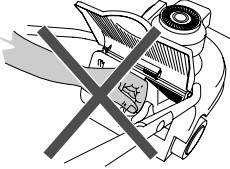


H

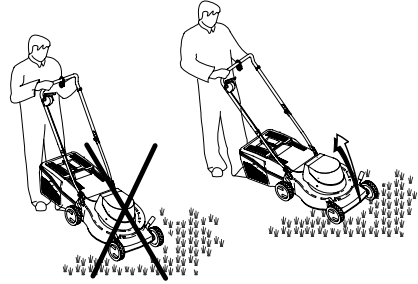
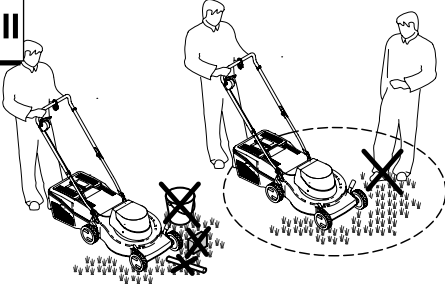




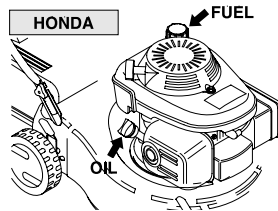
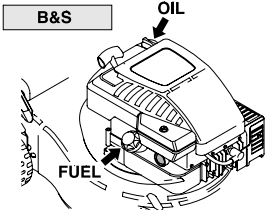
Jii



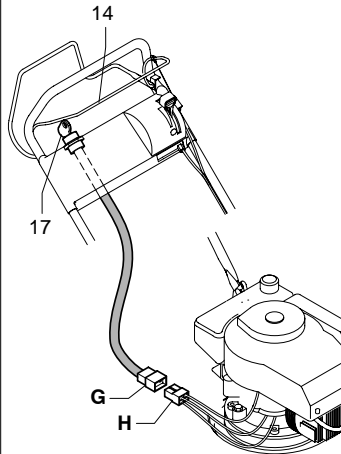
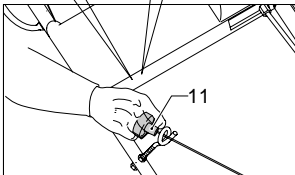
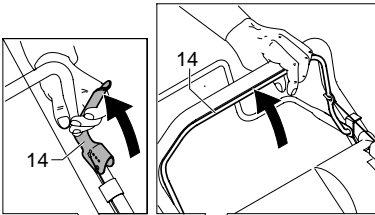
Jiii

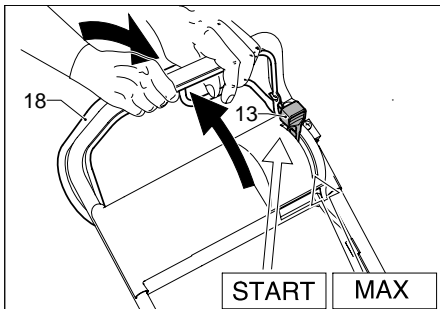
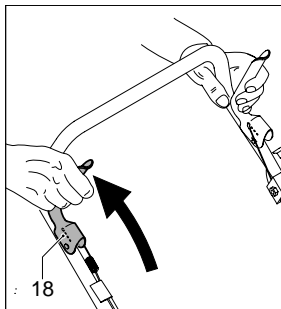
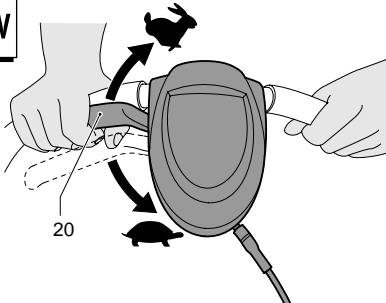
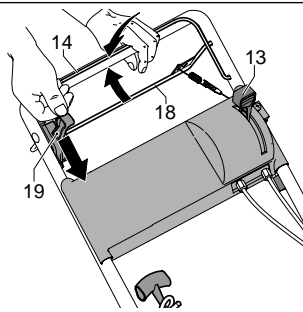
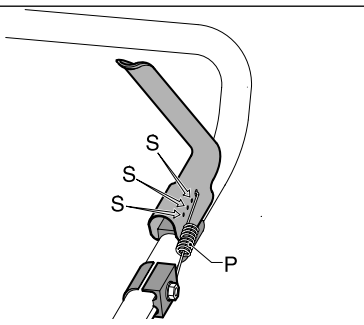
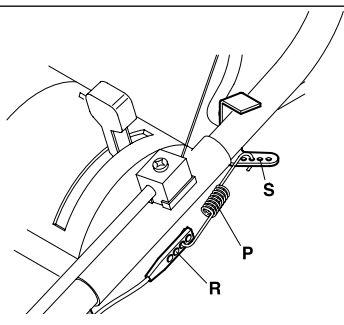
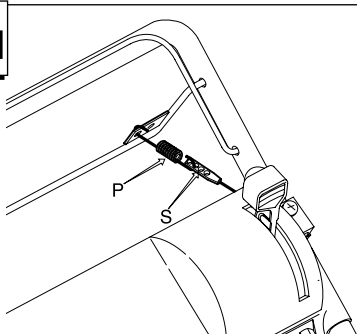
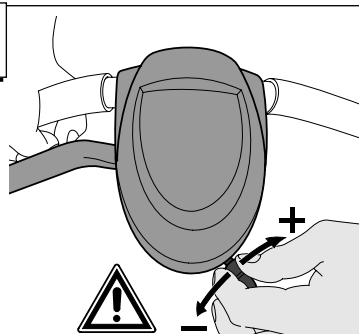


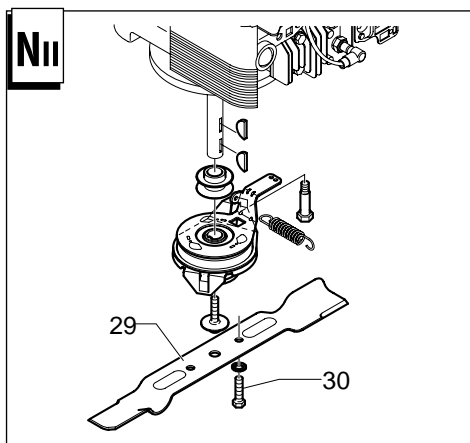
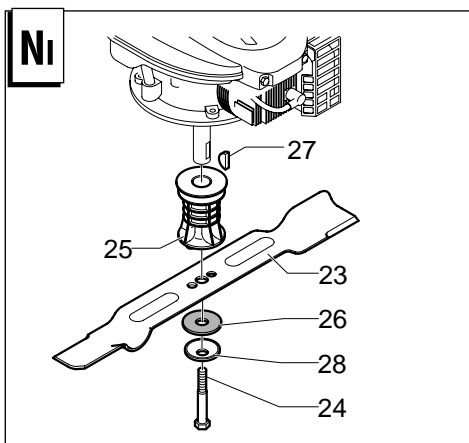
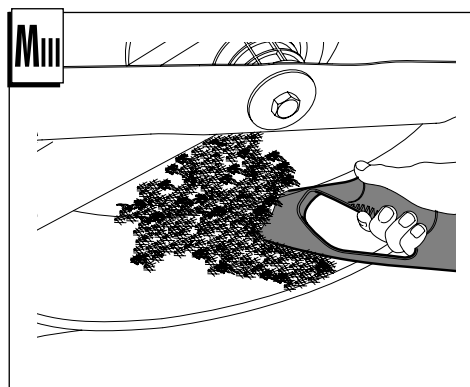
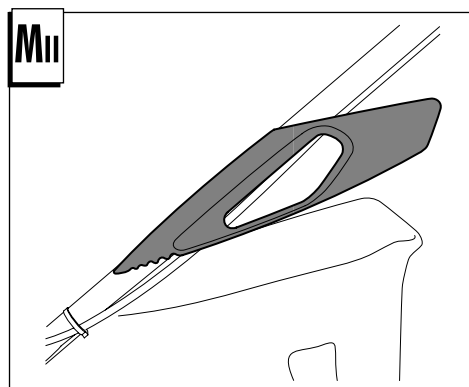
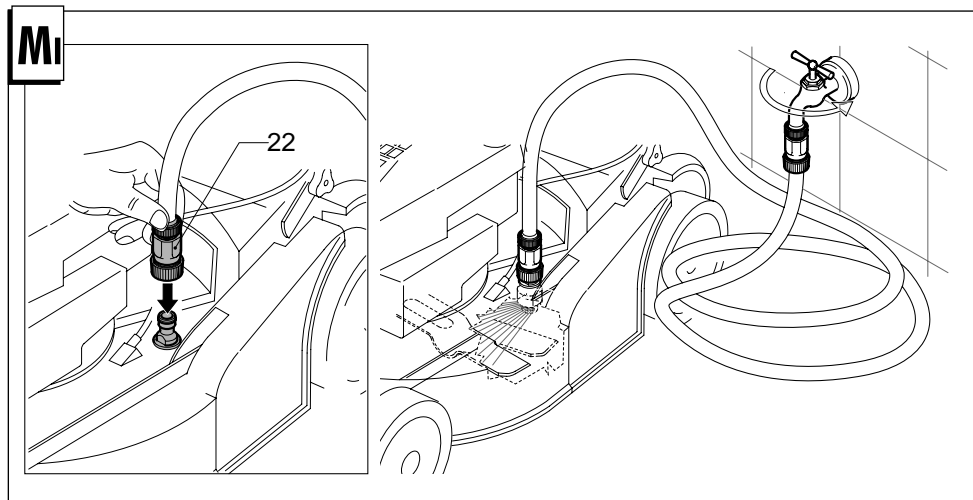
Ki

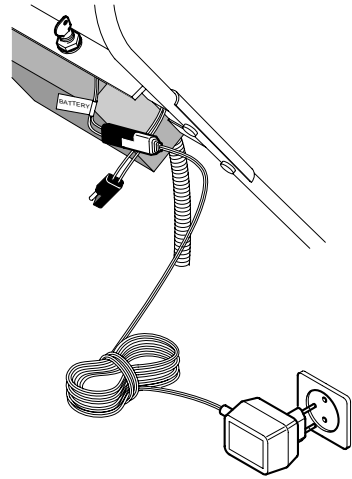
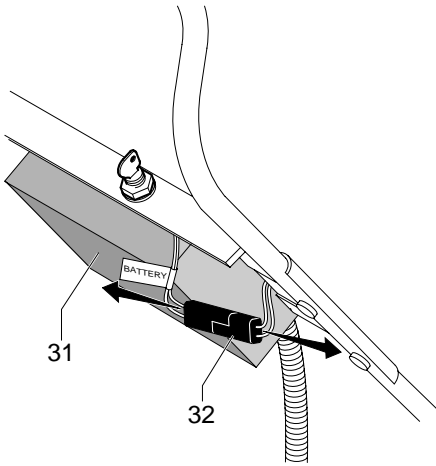


Kii



Kiii**Kiv****Kv****Li****Lii****Liii****Liv**



0

A	400
B	CV-CC-CT
C	40 cm
D	96 dB (A)
E	95 dB (A)
F	81 dB (A)
G	5 m/s ²

A	460
B	CV-CC-SP-SC-SL-CL-SK
C	46 cm
D	96 dB (A)
E	95 dB (A)
F	84 dB (A)
G	5 m/s ²

A	540
B	CV-SP
C	40 cm
D	96 dB (A)
E	95 dB (A)
F	81 dB (A)
G	5 m/s ²

A	546
B	CV-CC-CA-CT-SP-SN-SC-CL-SL-SK-ST-SX-KC-KM-MC-MK-ML-MT
C	46 cm
D	96 dB (A)
E	95 dB (A)
F	84 dB (A)
G	5 m/s ²

A	553
B	SV-3V-3B-3K-MS-3H-3W-HM-ST-MS-MT-ML
C	53 cm
D	98 dB (A)
E	97 dB (A)
F	84 dB (A)
G	5 m/s ²

A	653
B	CL-CV-CC-ML-SC-SN-SK-SL-SP-ST-SX-KC-MC-MS-MT-KM-ML
C	53 cm
D	98 dB (A)
E	97 dB (A)
F	87 dB (A)
G	5 m/s ²

A	940
B	CV-CC-CT-EV-EC
C	40 cm
D	96 dB (A)
E	95 dB (A)
F	81 dB (A)
G	5 m/s ²

A	946
B	CV-CC-CA-CT-SP-SN-SC-CL-SL-SK-ST-SX-KC-KM-MC-MK-ML-MT
C	46 cm
D	96 dB (A)
E	95 dB (A)
F	84 dB (A)
G	5 m/s ²

A	651
B	CV-CC-CA-CT-SP-SN-SC-CL-SL-SK-ST-SX-KC-KM-MC-MK-ML-MT
C	51 cm
D	98 dB (A)
E	97 dB (A)
F	84 dB (A)
G	5 m/s ²

A	951
B	CV-CC-CA-CT-SP-SN-SC-CL-SL-SK-ST-SX-KC-KM-MC-MK-ML-MT
C	51 cm
D	98 dB (A)
E	97 dB (A)
F	84 dB (A)
G	5 m/s ²

A	530
B	3B-3H-3K-3M-3V-SB-SK-SN-ST-SV-HM-KM-MK-MS-MT
C	51 cm
D	98 dB (A)
E	97 dB (A)
F	84 dB (A)
G	5 m/s ²

A	730
B	3B-3H-3K-3M-3V-SB-SK-SN-ST-SV-HM-KM-MK-MS-MT
C	51 cm
D	98 dB (A)
E	97 dB (A)
F	84 dB (A)
G	5 m/s ²

A	930
B	3B-3H-3K-3M-3V-SB-SK-SN-ST-SV-HM-KM-MK-MS-MT
C	51 cm
D	98 dB (A)
E	97 dB (A)
F	84 dB (A)
G	5 m/s ²

A	640
B	CV-CC-CT
C	40 cm
D	96 dB (A)
E	95 dB (A)
F	81 dB (A)
G	5 m/s ²

A	646
B	CV-CC-SP-SC-SL-CL-SK
C	46 cm
D	96 dB (A)
E	95 dB (A)
F	81 dB (A)
G	5 m/s ²

HUSQVARNA OUTDOOR PRODUCTS ITALIA S.P.A.

Headquarters: Via Como 72 - 32868 - VALMADRERA (LC) - ITALY- Tel. +39 0341 203111 - Fax +39 0341 581671



COD. 99991703 - 531213397

ED.01/2008

Q.TY 10000

PRINTED IN ITALY

