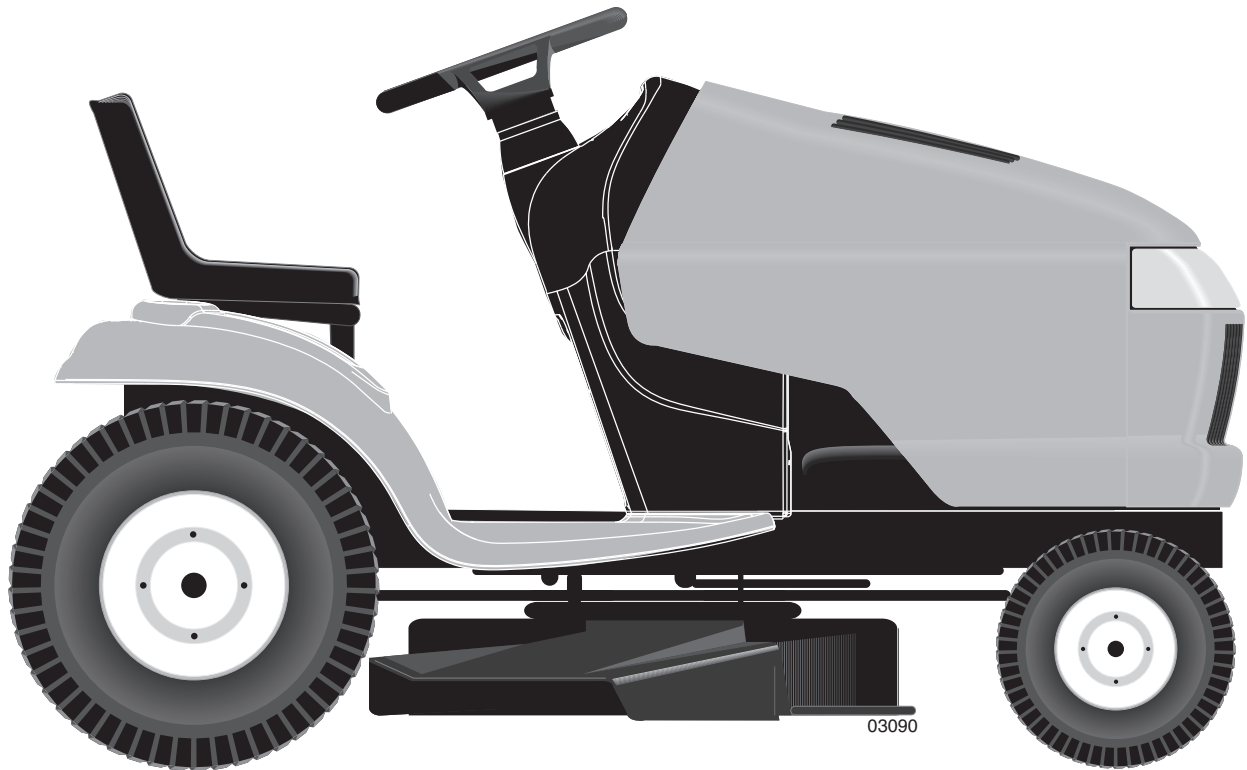


IMPORTANT MANUAL

DO NOT THROW AWAY

Poulan PRO



OPERATOR'S MANUAL

MODEL:

XT22H54
LAWN TRACTOR

⚠ WARNING:

Read this Manual and follow all Warnings and Safety Instructions. Failure to do so can result in serious injury.

ALWAYS WEAR EYE PROTECTION DURING OPERATION

Visit our website: www.poulanpro.com



SAFETY RULES



Safe Operation Practices for Ride-On Mowers

DANGER: THIS CUTTING MACHINE IS CAPABLE OF AMPUTATING HANDS AND FEET AND THROWING OBJECTS. FAILURE TO OBSERVE THE FOLLOWING SAFETY INSTRUCTIONS COULD RESULT IN SERIOUS INJURY OR DEATH.



WARNING: In order to prevent accidental starting when setting up, transporting, adjusting or making repairs, always disconnect spark plug wire and place wire where it cannot contact spark plug.



WARNING: Do not coast down a hill in neutral, you may lose control of the tractor.



WARNING: Tow only the attachments that are recommended by and comply with specifications of the manufacturer of your tractor. Use common sense when towing. Operate only at the lowest possible speed when on a slope. Too heavy of a load, while on a slope, is dangerous. Tires can lose traction with the ground and cause you to lose control of your tractor.



WARNING



Engine exhaust, some of its constituents, and certain vehicle components contain or emit chemicals known to the State of California to cause cancer and birth defects or other reproductive harm.



WARNING



Battery posts, terminals and related accessories contain lead and lead compounds, chemicals known to the State of California to cause cancer and birth defects or other reproductive harm. Wash hands after handling.

I. GENERAL OPERATION

- Read, understand, and follow all instructions on the machine and in the manual before starting.
- Do not put hands or feet near rotating parts or under the machine. Keep clear of the discharge opening at all times.
- Only allow responsible adults, who are familiar with the instructions, to operate the machine.
- Clear the area of objects such as rocks, toys, wire, etc., which could be picked up and thrown by the blades.
- Be sure the area is clear of bystanders before operating. Stop machine if anyone enters the area.
- Never carry passengers.
- Do not mow in reverse unless absolutely necessary. Always look down and behind before and while backing.
- Never direct discharged material toward anyone. Avoid discharging material against a wall or obstruction. Material may ricochet back toward the operator. Stop the blades when crossing gravel surfaces.
- Do not operate machine without the entire grass catcher, discharge guard, or other safety devices in place and working.

- Slow down before turning.
- Never leave a running machine unattended. Always turn off blades, set parking brake, stop engine, and remove keys before dismounting.
- Disengage blades when not mowing. Shut off engine and wait for all parts to come to a complete stop before cleaning the machine, removing the grass catcher, or unclogging the discharge guard.
- Operate machine only in daylight or good artificial light.
- Do not operate the machine while under the influence of alcohol or drugs.
- Watch for traffic when operating near or crossing roadways.
- Use extra care when loading or unloading the machine into a trailer or truck.
- Always wear eye protection when operating machine.
- Data indicates that operators, age 60 years and above, are involved in a large percentage of riding mower-related injuries. These operators should evaluate their ability to operate the riding mower safely enough to protect themselves and others from serious injury.
- Follow the manufacturer's recommendation for wheel weights or counterweights.
- Keep machine free of grass, leaves or other debris build-up which can touch hot exhaust / engine parts and burn. Do not allow the mower deck to plow leaves or other debris which can cause build-up to occur. Clean any oil or fuel spillage before operating or storing the machine. Allow machine to cool before storage.

II. SLOPE OPERATION

Slopes are a major factor related to loss of control and tip-over accidents, which can result in severe injury or death. Operation on all slopes requires extra caution. If you cannot back up the slope or if you feel uneasy on it, do not mow it.

- Mow up and down slopes, not across.
- Watch for holes, ruts, bumps, rocks, or other hidden objects. Uneven terrain could overturn the machine. Tall grass can hide obstacles.
- Choose a low ground speed so that you will not have to stop or shift while on the slope.
- Do not mow on wet grass. Tires may lose traction. Always keep the machine in gear when going down slopes. Do not shift to neutral and coast downhill.
- Avoid starting, stopping, or turning on a slope. If the tires lose traction, disengage the blades and proceed slowly straight down the slope.
- Keep all movement on the slopes slow and gradual. Do not make sudden changes in speed or direction, which could cause the machine to roll over.
- Use extra care while operating machine with grass catchers or other attachments; they can affect the stability of the machine. Do no use on steep slopes.
- Do not try to stabilize the machine by putting your foot on the ground.
- Do not mow near drop-offs, ditches, or embankments. The machine could suddenly roll over if a wheel is over the edge or if the edge caves in.



SAFETY RULES

Safe Operation Practices for Ride-On Mowers



III. CHILDREN

Tragic accidents can occur if the operator is not alert to the presence of children. Children are often attracted to the machine and the mowing activity. Never assume that children will remain where you last saw them.

- Keep children out of the mowing area and in the watchful care of a responsible adult other than the operator.
- Be alert and turn machine off if a child enters the area.
- Before and while backing, look behind and down for small children.
- Never carry children, even with the blades shut off. They may fall off and be seriously injured or interfere with safe machine operation. Children who have been given rides in the past may suddenly appear in the mowing area for another ride and be run over or backed over by the machine.
- Never allow children to operate the machine.
- Use extra care when approaching blind corners, shrubs, trees, or other objects that may block your view of a child.

IV. TOWING

- Tow only with a machine that has a hitch designed for towing. Do not attach towed equipment except at the hitch point.
- Follow the manufacturer's recommendation for weight limits for towed equipment and towing on slopes.
- Never allow children or others in or on towed equipment.
- On slopes, the weight of the towed equipment may cause loss of traction and loss of control.
- Travel slowly and allow extra distance to stop.

V. SERVICE

SAFE HANDLING OF GASOLINE

To avoid personal injury or property damage, use extreme care in handling gasoline. Gasoline is extremely flammable and the vapors are explosive.

- Extinguish all cigarettes, cigars, pipes, and other sources of ignition.
- Use only approved gasoline container.
- Never remove gas cap or add fuel with the engine running. Allow engine to cool before refueling.
- Never fuel the machine indoors.
- Never store the machine or fuel container where there is an open flame, spark, or pilot light such as on a water heater or other appliances.
- Never fill containers inside a vehicle or on a truck or trailer bed with plastic liner. Always place containers on the ground away from your vehicle when filling.
- Remove gas-powered equipment from the truck or trailer and refuel it on the ground. If this is not possible, then refuel such equipment with a portable container, rather than from a gasoline dispenser nozzle.
- Keep the nozzle in contact with the rim of the fuel tank or container opening at all times until fueling is complete. Do not use a nozzle lock-open device.
- If fuel is spilled on clothing, change clothing immediately.
- Never overfill fuel tank. Replace gas cap and tighten securely.

GENERAL SERVICE

- Never operate machine in a closed area.
- Keep all nuts and bolts tight to be sure the equipment is in safe working condition.
- Never tamper with safety devices. Check their proper operation regularly.
- Keep machine free of grass, leaves, or other debris build-up. Clean oil or fuel spillage and remove any fuel-soaked debris. Allow machine to cool before storing.
- If you strike a foreign object, stop and inspect the machine. Repair, if necessary, before restarting.
- Never make any adjustments or repairs with the engine running.
- Check grass catcher components and the discharge guard frequently and replace with manufacturer's recommended parts, when necessary.
- Mower blades are sharp. Wrap the blade or wear gloves, and use extra caution when servicing them.
- Check brake operation frequently. Adjust and service as required.
- Maintain or replace safety and instruction labels, as necessary.



- Be sure the area is clear of bystanders before operating. Stop machine if anyone enters the area.
- Never carry passengers.
- Do not mow in reverse unless absolutely necessary. Always look down and behind before and while backing.
- Never carry children, even with the blades shut off. They may fall off and be seriously injured or interfere with safe machine operation. Children who have been given rides in the past may suddenly appear in the mowing area for another ride and be run over or backed over by the machine.
- Keep children out of the mowing area and in the watchful care of a responsible adult other than the operator.
- Be alert and turn machine off if a child enters the area.
- Before and while backing, look behind and down for small children.
- Mow up and down slopes (15° Max), not across.
- Choose a low ground speed so that you will not have to stop or shift while on the slope.
- Avoid starting, stopping, or turning on a slope. If the tires lose traction, disengage the blades and proceed slowly straight down the slope.
- If machine stops while going uphill, disengage blades, shift into reverse and back down slowly.
- Do not turn on slopes unless necessary, and then, turn slowly and gradually downhill, if possible.

PRODUCT SPECIFICATIONS

GASOLINE CAPACITY AND TYPE:	4 GALLONS UNLEADED REGULAR
OIL TYPE (API: SF-SJ):	SAE 30 (above 32°F) SAE 5W-30 (below 32°F)
OIL CAPACITY:	W/ FILTER: 64 Oz. W/O FILTER: 60 Oz.
SPARK PLUG:	CHAMPION QC12YC (GAP: .040")
GROUND SPEED (MPH):	Forward: 0 - 5.2 Reverse: 0 - 2.9
CHARGING SYSTEM:	16 AMPS @ 3600 RPM
BATTERY:	AMP/HR: 28 MIN. CCA: 230 CASE SIZE: U1R
BLADE BOLT TORQUE:	45-55 FT. LBS.

CONGRATULATIONS on your purchase of a new tractor. It has been designed, engineered and manufactured to give you the best possible dependability and performance.

Should you experience any problem you cannot easily remedy, please contact your nearest authorized service center/department. We have competent, well-trained technicians and the proper tools to service or repair this tractor.

Please read and retain this manual. The instructions will enable you to assemble and maintain your tractor properly. Always observe the "SAFETY RULES".

CUSTOMER RESPONSIBILITIES

- Read and observe the safety rules.
- Follow a regular schedule in maintaining, caring for and using your tractor.
- Follow the instructions under "Maintenance" and "Storage" sections of this owner's manual.

WARNING: This tractor is equipped with an internal combustion engine and should not be used on or near any unimproved forest-covered, brush-covered or grass-covered land unless the engine's exhaust system is equipped with a spark arrester meeting applicable local or state laws (if any). If a spark arrester is used, it should be maintained in effective working order by the operator.

A spark arrester for the muffler is available through your nearest authorized service center/department (See REPAIR PARTS section of this manual).

In the state of California the above is required by law (Section 4442 of the California Public Resources Code). Other states may have similar laws. Federal laws apply on federal lands.

TABLE OF CONTENTS

SAFETY RULES	2-3
PRODUCT SPECIFICATIONS.....	4
CUSTOMER RESPONSIBILITIES.....	4
ASSEMBLY	6-9
OPERATION	10-16
MAINTENANCE SCHEDULE	17

MAINTENANCE.....	17-20
SERVICE AND ADJUSTMENTS	21-25
STORAGE.....	26
TROUBLESHOOTING	27-28
WARRANTY.....	30

UNASSEMBLED PARTS

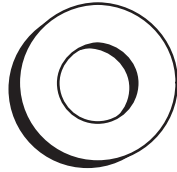
Mower



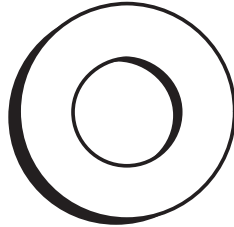
(5) Large Retainer Springs - 7/16



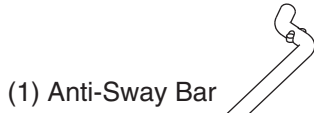
(2) Smaller Retainer Springs - 5/16



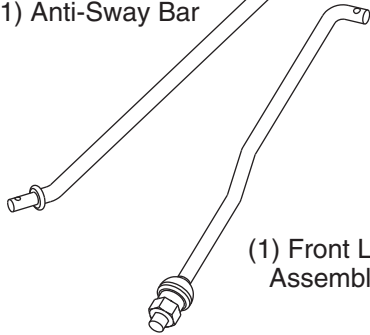
(1) 3/4 O.D. Washers



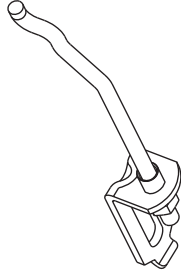
(5) 1-3/16 O.D. Washers



(1) Anti-Sway Bar

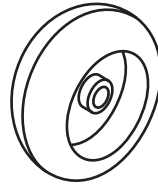


(1) Front Link Assembly

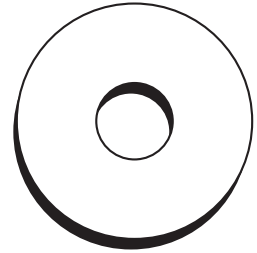


(2) Rear Lift Link Assemblies

Mower Front Wheel



(1) Wheel



(1) 1-1/4 O.D. Washer



(1) Shoulder Bolt

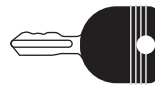


(1) Locknut 3/8-16



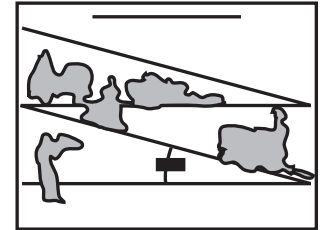
(1) Oil Drain Tube For Future Use

Keys



(2) Keys

Slope Sheet



ASSEMBLY

Your new tractor has been assembled at the factory with exception of those parts left unassembled for shipping purposes. To ensure safe and proper operation of your tractor all parts and hardware you assemble must be tightened securely. Use the correct tools as necessary to insure proper tightness.

TOOLS REQUIRED FOR ASSEMBLY

A socket wrench set will make assembly easier. Standard wrench sizes are listed.

- | | |
|---------------------------------|---------------------|
| (2) 7/16" wrenches | Utility knife |
| (1) 1/2" wrench | Tire pressure gauge |
| (1) 3/4" wrench | Pliers |
| (1) 3/4" socket w/drive ratchet | |

When right or left hand is mentioned in this manual, it means when you are in the operating position (seated behind the steering wheel).

TO REMOVE TRACTOR FROM CARTON

UNPACK CARTON

- Remove all accessible loose parts and parts cartons from carton .
- Cut along dotted lines on all four panels of carton. Remove end panels and lay side panels flat.
- Remove mower and packing materials.
- Check for any additional loose parts or cartons and remove.

BEFORE REMOVING TRACTOR FROM SKID

TO CHECK BATTERY (See Fig. 1)

- Lift hood to raised position.

NOTE: If this battery is put into service after month and year indicated on label (label is located between terminals) charge battery for minimum of one hour at 6-10 amps. (See "BATTERY" in Maintenance section of this manual for charging instructions).

- For battery and battery cable installation see "REPLACING BATTERY" in the "Service and Adjustments" section in this manual.

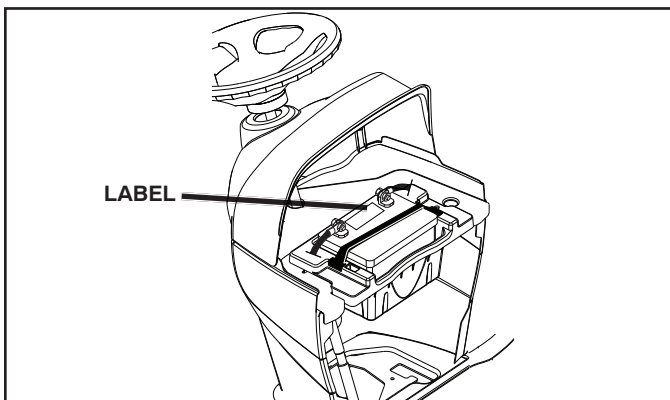


Fig. 1

ADJUST SEAT (See Fig. 2)

- Sit in seat.
- Lift up adjustment lever (A) and slide seat until a comfortable position is reached which allows you to press clutch/brake pedal all the way down.
- Release lever to lock seat in position.

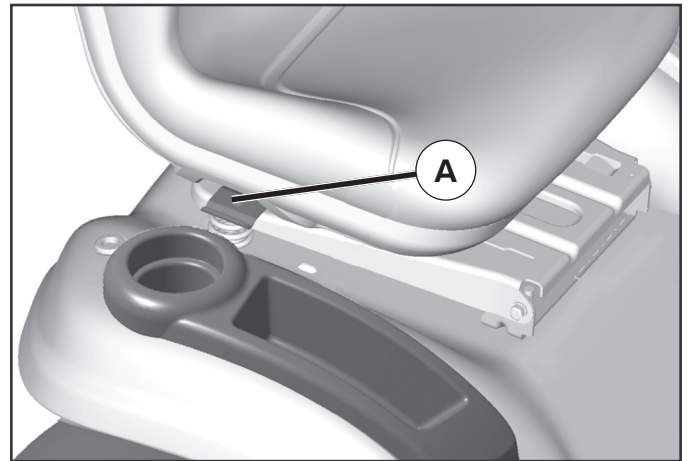


Fig. 2

NOTE: You may now roll your tractor off the skid. Follow the instructions below to remove the tractor from the skid.

WARNING: Before starting, read, understand and follow all instructions in the Operation section of this manual. Be sure tractor is in a well-ventilated area. Be sure the area in front of tractor is clear of other people and objects.

TO ROLL TRACTOR OFF SKID (See Operation section for location and function of controls)

- Raise attachment lift lever to its highest position.
- Release parking brake by depressing clutch/brake pedal.
- Place freewheel control in "transmission disengaged" position (See "TO TRANSPORT" in the Operation section of this manual).
- Roll tractor forward off skid.

Continue with the instructions that follow.

ASSEMBLY

ASSEMBLE FRONT WHEEL TO MOWER (See Fig. 3)

- Using shoulder bolt, washer and locknut from parts bag, assemble front wheel to mower as shown. Tighten securely.

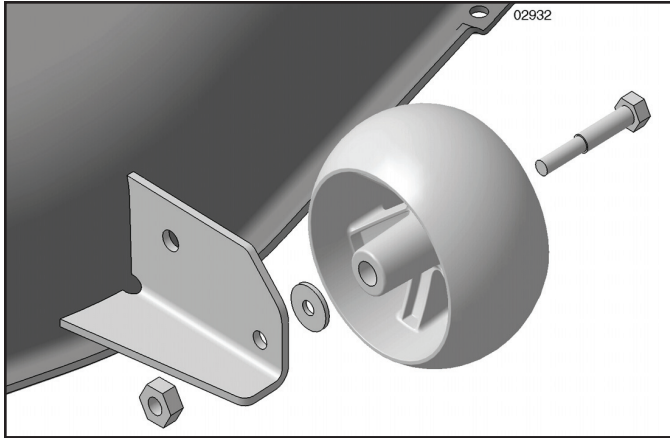


Fig. 3

TO INSTALL MOWER (See Figs. 4-12)

Be sure tractor is on level surface and engage parking brake.

- Lower attachment lift lever to its lowest position.



CAUTION: Lift lever is spring loaded. Have a tight grip on lift lever, lower it slowly and engage in lowest position.

- Turn steering wheel to the left as far as it will go and position mower on right side of tractor with deflector shield to the right.

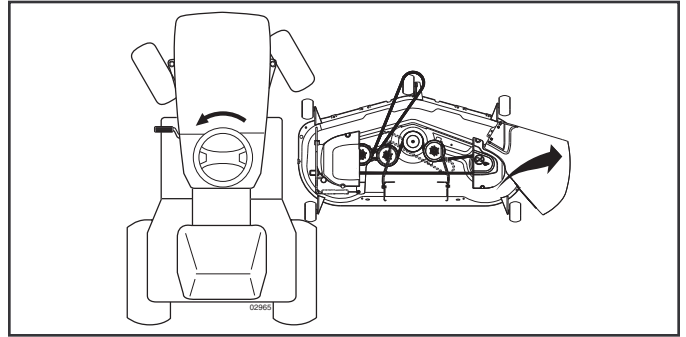


Fig. 4

NOTE: Be sure mower side suspension arms (A) are pointing forward before sliding mower under tractor.

- Slide mower under tractor until it is centered under tractor.

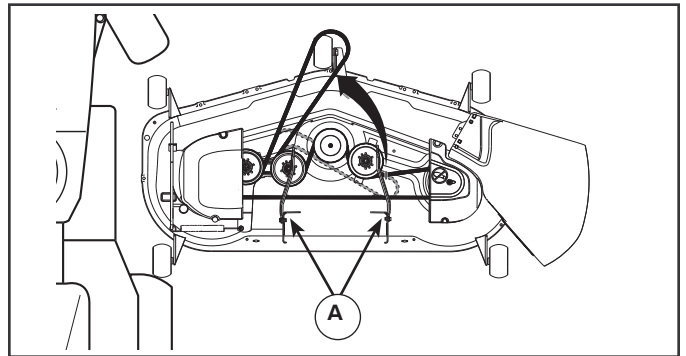


Fig. 5

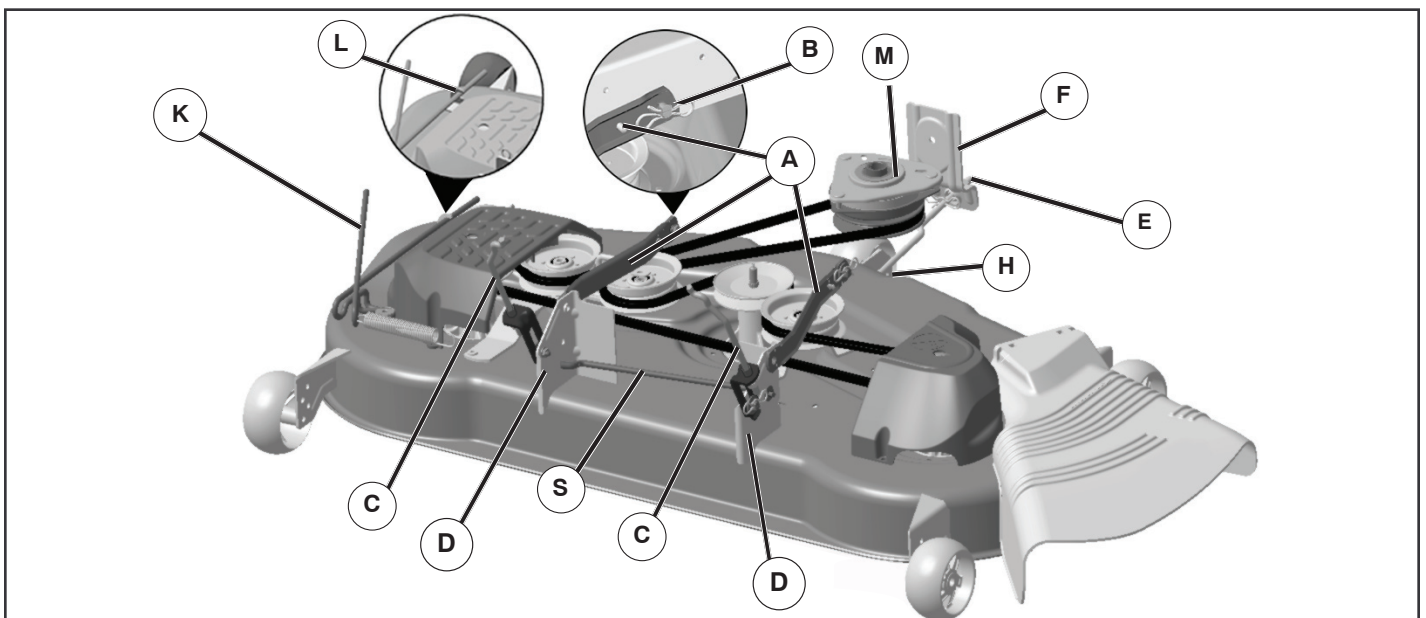


Fig. 6

ASSEMBLY

- FIRST INSTALL ANTI-SWAY BAR (S).
 - From right side of mower, insert anti-sway bar into hole in transmission bracket (T).

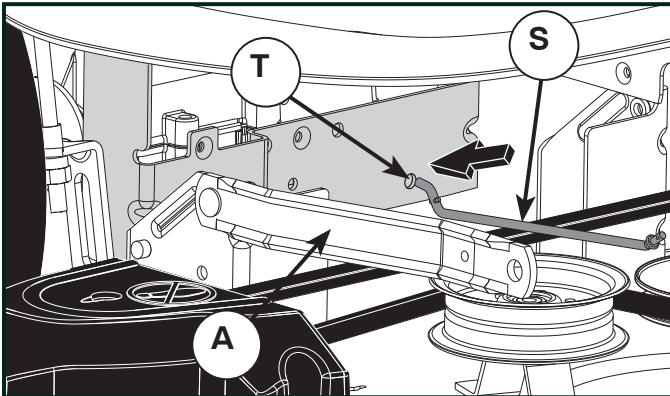


Fig. 7

- Pivot bar towards you and insert other end of bar into hole in rear mower bracket (D). Move mower as needed to insert bar.
- Secure with washer and retainer spring as shown

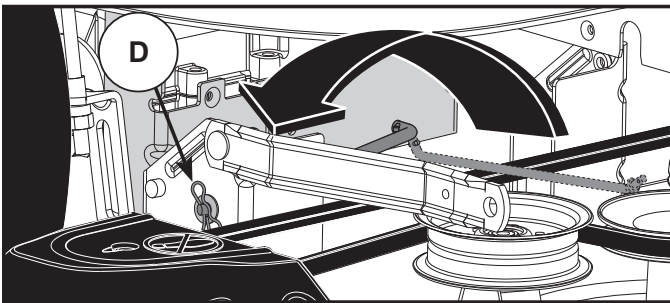


Fig. 8

- ATTACH MOWER SIDE SUSPENSION ARMS (A) TO CHASSIS - Position hole in arm over pin (B) on outside of tractor chassis and secure with retainer spring.
- Repeat on opposite side of tractor.

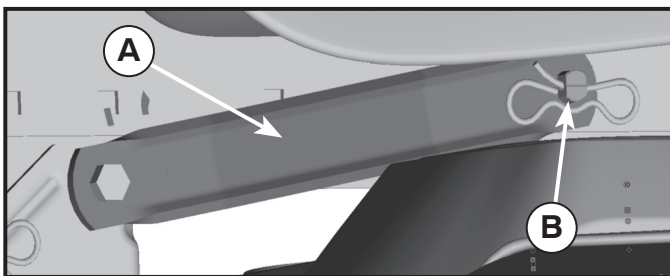


Fig. 9

- ATTACH REAR LIFT LINKS (C) - Lift rear corner of mower and position slot in link assembly over pin on rear mower bracket (D) and secure with washer and retainer spring.
- Repeat on opposite side of tractor.
- Turn steering wheel to position wheels straight forward.

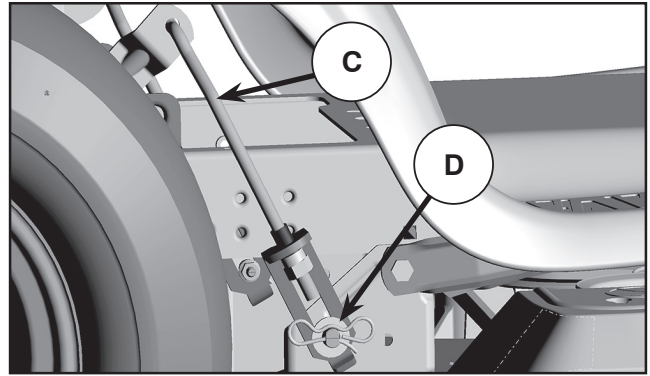


Fig. 10

- ATTACH FRONT LINK (E) - Work from left side of tractor. Insert rod end of link assembly through front hole in tractor front suspension bracket (F) and secure with retainer spring (G) through hole in link located behind the bracket.
- Insert other end of link (E) into hole in front mower bracket (H) and secure with washer and retainer spring (J).
- Disengage belt tension rod (K) from locking bracket (L).

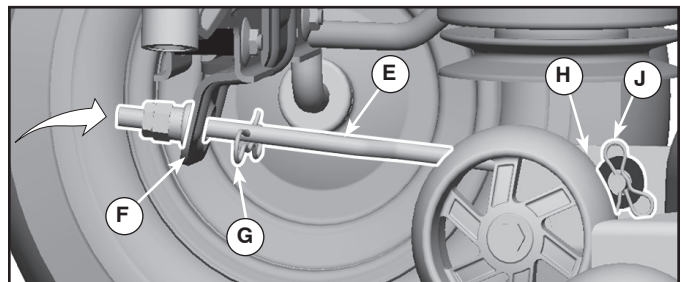


Fig. 11

- Install belt onto engine clutch pulley (M).

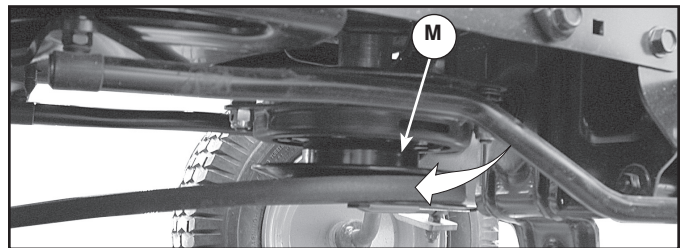


Fig. 12

IMPORTANT: Check belt for proper routing in all mower pulley grooves.

- Engage belt tension rod (K) on locking bracket (L).



CAUTION: Belt tension rod is spring loaded. Have a tight grip on rod and engage slowly.

- Raise attachment lift lever to highest position.
- If necessary, adjust gauge wheels before operating mower as shown in the Operation section of this manual.

MOWER DRIVE BELT INSTALLATION

Follow procedure described in "TO REPLACE MOWER BLADE DRIVE BELT" in the "Service and Adjustments" section of this manual.

ASSEMBLY

CHECK TIRE PRESSURE

The tires on your tractor were overinflated at the factory for shipping purposes. Correct tire pressure is important for best cutting performance.

- Reduce tire pressure to PSI shown on side of tires.

CHECK DECK LEVELNESS

For best cutting results, mower housing should be properly leveled. See "TO LEVEL MOWER HOUSING" in the Service and Adjustments section of this manual.

CHECK FOR PROPER POSITION OF BELTS

See the figures that are shown for replacing motion and mower blade drive belts in the Service and Adjustments section of this manual. Verify that the belts are routed correctly.

CHECK BRAKE SYSTEM

After you learn how to operate your tractor, check to see that the brake is operating properly. See "TO CHECK BRAKE" in the Service and Adjustments section of this manual.

✓ CHECKLIST

BEFORE YOU OPERATE YOUR NEW TRACTOR, WE WISH TO ASSURE THAT YOU RECEIVE THE BEST PERFORMANCE AND SATISFACTION FROM THIS QUALITY PRODUCT.

PLEASE REVIEW THE FOLLOWING CHECKLIST:

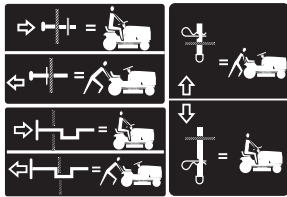
- ✓ All assembly instructions have been completed.
- ✓ No remaining loose parts in carton.
- ✓ Battery is properly prepared and charged.
- ✓ Seat is adjusted comfortably and tightened securely.
- ✓ All tires are properly inflated. (For shipping purposes, the tires were overinflated at the factory).
- ✓ Be sure mower deck is properly leveled side-to-side/ front-to-rear for best cutting results. (Tires must be properly inflated for leveling).
- ✓ Check mower and drive belts. Be sure they are routed properly around pulleys and inside all belt keepers.
- ✓ Check wiring. See that all connections are still secure and wires are properly clamped.
- ✓ Before driving tractor, be sure freewheel control is in "transmission engaged" position (see "TO TRANSPORT" in the Operation section of this manual).

WHILE LEARNING HOW TO USE YOUR TRACTOR, PAY EXTRA ATTENTION TO THE FOLLOWING IMPORTANT ITEMS:

- ✓ Engine oil is at proper level.
- ✓ Fuel tank is filled with fresh, clean, regular unleaded gasoline.
- ✓ Become familiar with all controls, their location and function. Operate them before you start the engine.
- ✓ Be sure brake system is in safe operating condition.
- ✓ Be sure Operator Presence System and Reverse Operation System (ROS) are working properly (See the Operation and Maintenance sections in this manual).
- ✓ It is important to purge the transmission before operating your tractor for the first time. Follow proper starting and transmission purging instructions (See "TO START ENGINE" and "PURGE TRANSMISSION" in the Operation section of this manual).

OPERATION

These symbols may appear on your tractor or in literature supplied with the product. Learn and understand their meaning.



FREE WHEEL
(Automatic Models only)



Failure to follow instructions could result in serious injury or death. The safety alert symbol is used to identify safety information about hazards which can result in death, serious injury and/or property damage.



DANGER indicates a hazard which, if not avoided, will result in death or serious injury.



WARNING indicates a hazard which, if not avoided, could result in death or serious injury.



CAUTION indicates a hazard which, if not avoided, might result in minor or moderate injury.

CAUTION when used **without** the alert symbol, indicates a situation that **could result in damage to the tractor and/or engine.**



HOT SURFACES indicates a hazard which, if not avoided, could result in death, serious injury and/or property damage.



FIRE indicates a hazard which, if not avoided, could result in death, serious injury and/or property damage.

OPERATION

KNOW YOUR TRACTOR

READ THIS OWNER'S MANUAL AND SAFETY RULES BEFORE OPERATING YOUR TRACTOR

Compare the illustrations with your tractor to familiarize yourself with the locations of various controls and adjustments. Save this manual for future reference.

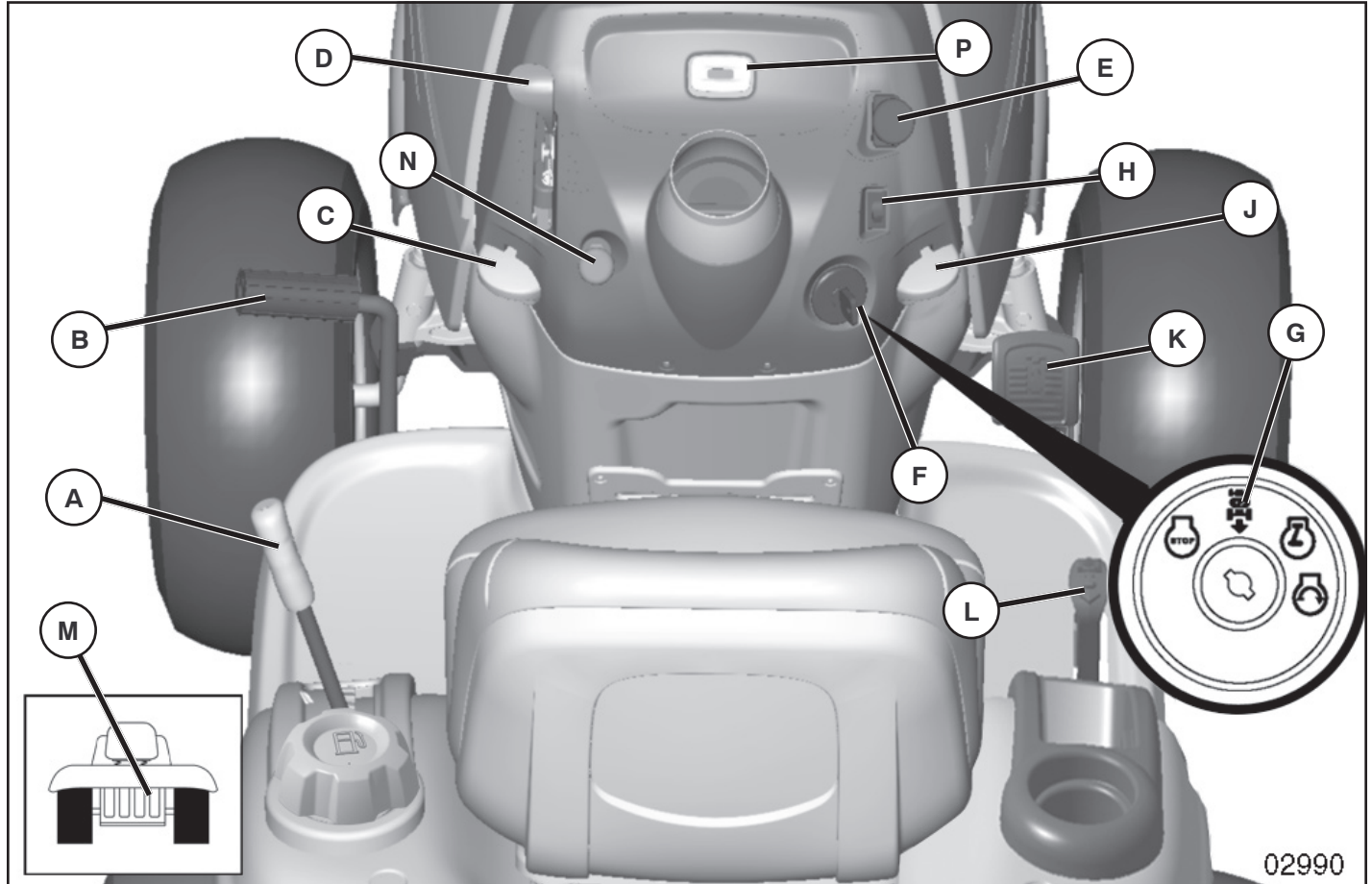


Fig. 13

(A) ATTACHMENT LIFT LEVER - Used to raise and lower the mower or other attachments mounted to your tractor.

(B) BRAKE PEDAL - Used for braking the tractor and starting the engine.

(C) PARKING BRAKE - Locks clutch/brake pedal into the brake position.

(D) THROTTLE CONTROL - Used to control engine speed.

(E) ATTACHMENT CLUTCH SWITCH - Used to engage the mower blades, or other attachments mounted to your tractor.

(F) IGNITION SWITCH - Used for starting and stopping the engine.

(G) REVERSE OPERATION SYSTEM (ROS) "ON" POSITION - Allows operation of mower or other powered attachment while in reverse.

(H) LIGHT SWITCH - Turns the headlights on and off.

(J) CRUISE CONTROL LEVER - Used to set forward movement of tractor at desired speed without holding the forward drive pedal.

(K) FORWARD DRIVE PEDAL - Used for forward movement of tractor.

(L) REVERSE DRIVE PEDAL - Used for reverse movement of tractor.

(M) FREEWHEEL CONTROL - Disengages transmission for pushing or slowly towing the tractor with the engine off.

(N) CHOKE CONTROL - Used when starting a cold engine.

(P) SERVICE REMINDER / HOUR METER - Indicates when service is required for the engine and mower.

OPERATION



The operation of any tractor can result in foreign objects thrown into the eyes, which can result in severe eye damage. Always wear safety glasses or eye shields while operating your tractor or performing any adjustments or repairs. We recommend standard safety glasses or a wide vision safety mask worn over spectacles.

HOW TO USE YOUR TRACTOR

TO SET PARKING BRAKE (See Fig. 14)

Your tractor is equipped with an operator presence sensing switch. When engine is running, any attempt by the operator to leave the seat without first setting the parking brake will shut off the engine.

- Depress clutch/brake pedal (B) all the way down and hold.
- Pull parking brake lever (C) up and hold, release pressure from clutch/brake pedal (B), then release parking brake lever. Pedal should remain in brake position. Make sure parking brake will hold tractor secure.

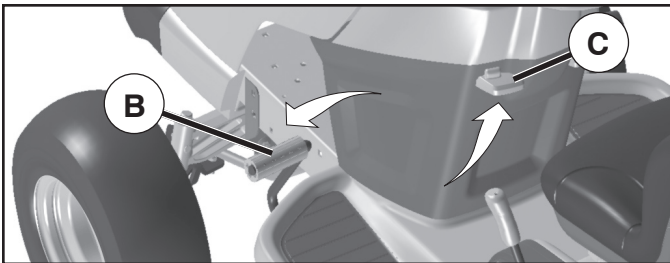
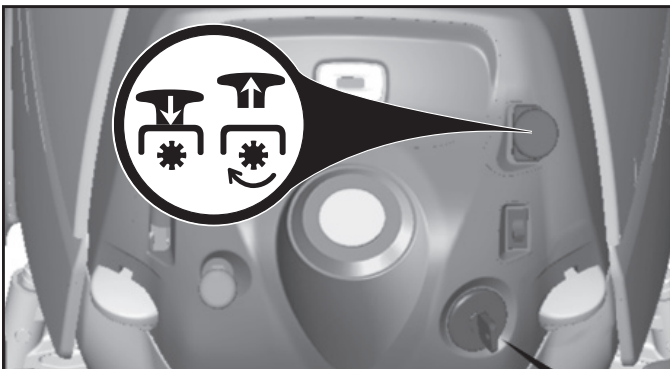


Fig. 14

STOPPING (See Fig. 15)

MOWER BLADES -

- To stop mower blades, place attachment clutch control in the "DISENGAGED" position (☒).



(☒) ATTACHMENT CLUTCH SWITCH "DISENGAGED"

(☑) ATTACHMENT CLUTCH SWITCH "ENGAGED"

Fig. 15

GROUND DRIVE -

- To stop ground drive, depress brake pedal into full "BRAKE" position.

IMPORTANT: FORWARD AND REVERSE DRIVE PEDALS RETURN TO NEUTRAL POSITION WHEN NOT DEPRESSED.

ENGINE -

- Move throttle control (D) between half and full speed (fast) position.

NOTE: Failure to move throttle control between half and full speed (fast) position, before stopping may cause engine to "backfire".

- Turn ignition key (F) to "STOP" position and remove key. Always remove key when leaving tractor to prevent unauthorized use.
- Never use the choke to stop the engine.

IMPORTANT: LEAVING THE IGNITION SWITCH IN ANY POSITION OTHER THAN "STOP" WILL CAUSE THE BATTERY TO BE DISCHARGED, (DEAD).

NOTE: Under certain conditions when tractor is standing idle with the engine running, hot engine exhaust gases may cause "browning" of grass. To eliminate this possibility, always stop engine when stopping tractor on grass areas.



CAUTION: Always stop tractor completely, as described above, and set parking brake before leaving the operator's position.

TO USE THROTTLE CONTROL (D) (See Fig. 16)

Always operate engine at full speed (fast).

- Operating engine at less than full speed (fast) reduces the engine's operating efficiency.
- Full speed (fast) offers the best mower performance.

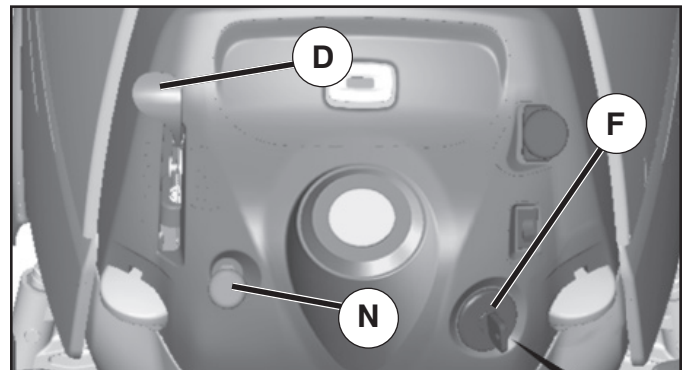


Fig. 16

TO USE CHOKE CONTROL (N) (See Fig. 16)

Use choke control whenever you are starting a cold engine. Do not use to start a warm engine.

- To engage choke control (N), pull knob out. Slowly push knob in to disengage.

TO MOVE FORWARD AND BACKWARD (See Fig. 17)

The direction and speed of movement is controlled by the forward and reverse drive pedals.

- Start tractor and release parking brake.
- Slowly depress forward (K) or reverse (L) drive pedal to begin movement. Ground speed increases the further down the pedal is depressed.

OPERATION

TO USE CRUISE CONTROL (J) (See Fig. 17)

The cruise control feature can be used for forward travel only.

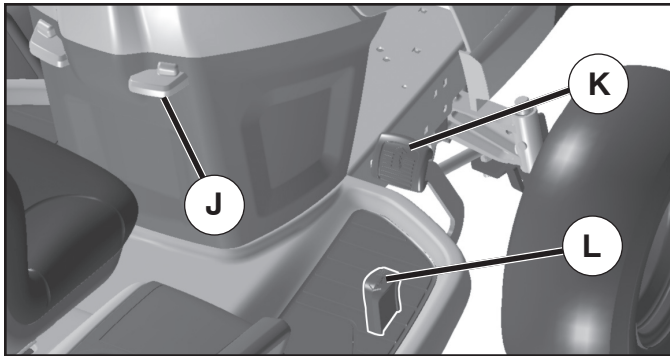


Fig. 17

SYSTEM CHARACTERISTICS

The cruise control should only be used while mowing or transporting on relatively smooth, straight surfaces. Other conditions such as trimming at slow speeds may cause the cruise control to disengage. Do not use the cruise control on slopes, rough terrain or while trimming or turning.

- With forward drive pedal depressed to desired speed, pull cruise control lever (J) up and hold while lifting your foot off the pedal, then release the lever.

To disengage the cruise control, depress the brake pedal or tap on forward drive pedal.

TO ADJUST MOWER CUTTING HEIGHT (See Fig. 18)

The position of the attachment lift lever (A) determines the cutting height.

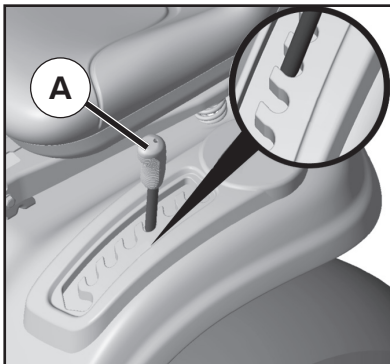


Fig. 18

- Put attachment lift lever in desired cutting height slot.

The cutting height range is approximately 1" to 4". The heights are measured from the ground to the blade tip with the engine not running. These heights are approximate and may vary depending upon soil conditions, height of grass and types of grass being mowed.

- The average lawn should be cut to approximately 2-1/2" during the cool season and to over 3" during hot months. For healthier and better looking lawns, mow often and after moderate growth.
- For best cutting performance, grass over 6" in height should be mowed twice. Make the first cut relatively high; the second to desired height.

TO ADJUST GAUGE WHEELS (See Fig. 19)

Gauge wheels are properly adjusted when they are slightly off the ground when mower is at the desired cutting height in operating position. Gauge wheels then keep the deck in proper position to help prevent scalping in most terrain conditions.

NOTE: Adjust gauge wheels with tractor on a flat level surface.

- Adjust mower to desired cutting height (See "TO ADJUST MOWER CUTTING HEIGHT" in the Operation section of this manual).
- With mower in desired height of cut position, gauge wheels should be assembled so they are slightly off the ground. Install gauge wheel in appropriate hole as shown and tighten securely.
- Repeat for opposite side installing gauge wheel in same adjustment hole.

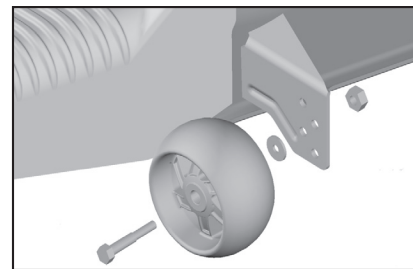


Fig. 19

TO OPERATE MOWER

Your tractor is equipped with an operator presence sensing switch. Any attempt by the operator to leave the seat with the engine running and the attachment clutch engaged will shut off the engine. You must remain fully and centrally positioned in the seat to prevent the engine from hesitating or cutting off when operating your equipment on rough, rolling terrain or hills.

- Select desired height of cut (see "TO ADJUST MOWER CUTTING HEIGHT")
- Start mower blades by engaging attachment clutch control.

TO STOP MOWER BLADES

- Disengage attachment clutch control.



CAUTION: Do not operate the mower without either the entire grass catcher, on mowers so equipped, or the deflector shield (S) in place (See Fig. 20).

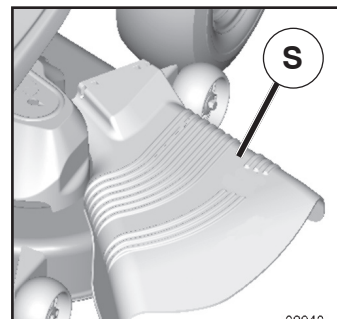


Fig. 20

OPERATION

REVERSE OPERATION SYSTEM (ROS)

(See Fig. 21)

Your tractor is equipped with a Reverse Operation System (ROS). Any attempt by the operator to travel in the reverse direction with the attachment clutch engaged will shut off the engine unless ignition key is placed in the ROS "ON" position.

WARNING: Backing up with the attachment clutch engaged while mowing is strongly discouraged. Turning the ROS "ON", to allow reverse operation with the attachment clutch engaged, should only be done when the operator decides it is necessary to reposition the machine with the attachment engaged. **Do not mow in reverse unless absolutely necessary.**

USING THE REVERSE OPERATION SYSTEM -

Only use if you are certain no children or other bystanders will enter the mowing area.

- Depress brake pedal all the way down.
- With engine running, turn ignition key counterclockwise to ROS "ON" position.
- Look down and behind before and while backing.
- Slowly depress reverse drive pedal to start movement.
- When use of the ROS is no longer needed, turn the ignition key clockwise to engine "ON" position.

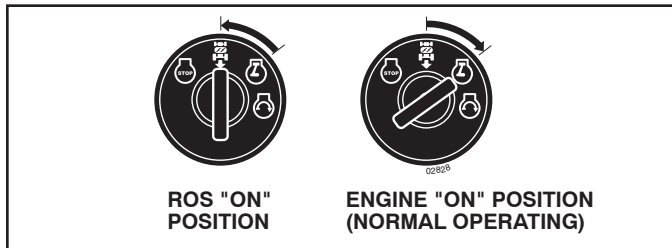


Fig. 21

TO TRANSPORT (See Fig. 22)

When pushing or towing your tractor, be sure to disengage transmission by placing freewheel control in freewheeling position. Free wheel control is located under the seat.

- Raise attachment lift to highest position
- Raise seat and pull freewheel control up and back into the slot and release so it is held in the disengaged position.
- Do not push or tow tractor at more than two (2) MPH.
- To reengage transmission, reverse above procedure.

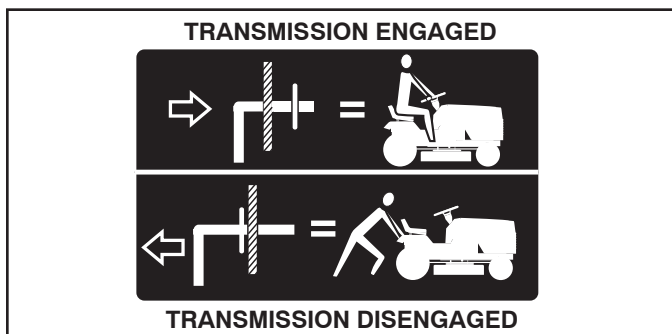


Fig. 22

NOTE: To protect hood from damage when transporting your tractor on a truck or a trailer, be sure hood is closed and secured to tractor. Use an appropriate means of tying hood to tractor (rope, cord, etc.).

TOWING CARTS AND OTHER ATTACHMENTS

Tow only the attachments that are recommended by and comply with specifications of the manufacturer of your tractor. Use common sense when towing. Too heavy of a load, while on a slope, is dangerous. Tires can lose traction with the ground and cause you to lose control of your tractor.

TO OPERATE ON HILLS



CAUTION: Do not drive up or down hills with slopes greater than 15° and do not drive across any slope.

- Choose the slowest speed before starting up or down hills.
- Avoid stopping or changing speed on hills.
- If stopping is absolutely necessary, push brake pedal quickly to brake position and engage parking brake.
- To restart movement, slowly release parking brake and brake pedal.
- Slowly depress appropriate drive pedal to slowest setting.
- Make all turns slowly.

SERVICE REMINDER/HOUR METER

Service reminder shows the total number of hours the engine has run and flashes to indicate that the engine or mower needs servicing. When service is required, the service reminder will flash for two hours. To service engine and mower, see the Maintenance section of this manual.

NOTE: Service reminder runs when the ignition key is in any position but "STOP". For accurate reading, be sure key remains in the "STOP" position when engine is not running.

BEFORE STARTING THE ENGINE

CHECK ENGINE OIL LEVEL

The engine in your tractor has been shipped, from the factory, already filled with summer weight oil.

- Check engine oil with tractor on level ground.
- Remove oil fill cap/dipstick and wipe clean, reinsert the dipstick and screw cap tight, wait for a few seconds, remove and read oil level. If necessary, add oil until "FULL" mark on dipstick is reached. Do not overfill.
- For cold weather operation you should change oil for easier starting (See "OIL VISCOSITY CHART" in the Maintenance section of this manual).
- To change engine oil, see the Maintenance section in this manual.

ADD GASOLINE

- Fill fuel tank to bottom of filler neck. Do not overfill. Use fresh, clean, regular unleaded gasoline with a minimum of 87 octane. (Use of leaded gasoline will increase carbon and lead oxide deposits and reduce valve life). Do not mix oil with gasoline. Purchase fuel in quantities that can be used within 30 days to assure fuel freshness.



CAUTION: Wipe off any spilled oil or fuel. Do not store, spill or use gasoline near an open flame.

IMPORTANT: WHEN OPERATING IN TEMPERATURES BELOW 32°F (0°C), USE FRESH, CLEAN WINTER GRADE GASOLINE TO HELP ENSURE GOOD COLD WEATHER STARTING.

OPERATION

CAUTION: Alcohol blended fuels (called gasohol or using ethanol or methanol) can attract moisture which leads to separation and formation of acids during storage. Acidic gas can damage the fuel system of an engine while in storage. To avoid engine problems, the fuel system should be emptied before storage of 30 days or longer. Drain the gas tank, start the engine and let it run until the fuel lines and carburetor are empty. Use fresh fuel next season. See Storage Instructions for additional information. Never use engine or carburetor cleaner products in the fuel tank or permanent damage may occur.

TO START ENGINE (See Fig. 13)

When starting the engine for the first time or if the engine has run out of fuel, it will take extra cranking time to move fuel from the tank to the engine.

- Be sure freewheel control is in the transmission engaged position.
- Sit on seat in operating position, depress brake pedal and set parking brake.
- Move attachment clutch to "DISENGAGED" position.
- Move throttle control to fast position
- Pull choke control out for a cold engine start attempt. For a warm engine start attempt the choke control may not be needed.

NOTE: Before starting, read the warm and cold starting procedures below.

- Insert key into ignition and turn key clockwise to "START" position and release key as soon as engine starts. Do not run starter continuously for more than fifteen seconds per minute. If the engine does not start after several attempts, push choke control in, wait a few minutes and try again. If engine still does not start, pull the choke control out and retry.

WARM WEATHER STARTING (50° F and above)

- When engine starts, slowly push choke control in until the engine begins to run smoothly. If the engine starts to run roughly, pull the choke control out slightly for a few seconds and then continue to push the control in slowly.
- The attachments and ground drive can now be used. If the engine does not accept the load, restart the engine and allow it to warm up for one minute using the choke as described above.

COLD WEATHER STARTING (50° F and below)

- When engine starts, slowly push choke control in until the engine begins to run smoothly. Continue to push the choke control in small steps allowing the engine to accept small changes in speed and load, until the choke control is fully in. If the engine starts to run roughly, pull the choke control out slightly for a few seconds and then continue to push the control in slowly. This may require an engine warm-up period from several seconds to several minutes, depending on the temperature.

AUTOMATIC TRANSMISSION WARM UP

- Before driving the unit in cold weather, the transmission should be warmed up as follows:
 - Be sure the tractor is on level ground.
 - Release the parking brake and let the brake slowly return to operating position.
 - Allow one minute for transmission to warm up. This can be done during the engine warm up period.
- The attachments can be used during the engine warm-up period after the transmission has been warmed up and may require the choke control be pulled out slightly.

NOTE: If at a high altitude (above 3000 feet) or in cold temperatures (below 32° F) the carburetor fuel mixture may need to be adjusted for best engine performance. See "TO ADJUST CARBURETOR" in the Service and Adjustments section of this manual.

PURGE TRANSMISSION



CAUTION: Never engage or disengage freewheel lever while the engine is running.

To ensure proper operation and performance, it is recommended that the transmission be purged before operating tractor for the first time. This procedure will remove any trapped air inside the transmission which may have developed during shipping of your tractor.

IMPORTANT: SHOULD YOUR TRANSMISSION REQUIRE REMOVAL FOR SERVICE OR REPLACEMENT, IT SHOULD BE PURGED AFTER REINSTALLATION BEFORE OPERATING THE TRACTOR.

1. Place tractor safely on a level surface - that is clear and open - with engine off and parking brake set.
2. Disengage transmission by placing freewheel control in disengaged position (See "TO TRANSPORT" in this section of manual).
3. Sitting in the tractor seat, start engine. After the engine is running, move throttle control to slow position. Disengage parking brake



CAUTION: At any time, during step 4, there may be movement of the drive wheels.

4. Depress forward drive pedal to full forward position, hold for five (5) seconds and release pedal. Depress reverse drive pedal to full reverse position, hold for five (5) seconds and release pedal. Repeat this procedure three (3) times.
5. Shut- off engine and set parking brake.
6. Engage transmission by placing freewheel control in engaged position (See "TO TRANSPORT" in this section of manual).
7. Sitting in the tractor seat, start engine. After the engine is running, move throttle control to half (1/2) speed. Disengage parking brake.
8. Drive tractor forward for approximately five feet then backwards for five feet. Repeat this driving procedure three times.

Your transmission is now purged and now ready for normal operation.

OPERATION

MOWING TIPS

- Tire chains cannot be used when the mower housing is attached to tractor.
- Mower should be properly leveled for best mowing performance. See "TO LEVEL MOWER HOUSING" in the Service and Adjustments section of this manual.
- The left hand side of mower should be used for trimming.
- Drive so that clippings are discharged onto the area that has been cut. Have the cut area to the right of the tractor. This will result in a more even distribution of clippings and more uniform cutting.
- When mowing large areas, start by turning to the right so that clippings will discharge away from shrubs, fences, driveways, etc. After one or two rounds, mow in the opposite direction making left hand turns until finished (See Fig. 23).

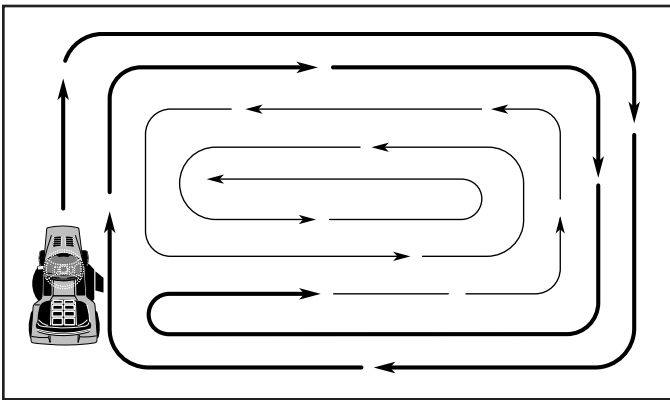


Fig. 23

- If grass is extremely tall, it should be mowed twice to reduce load and possible fire hazard from dried clippings. Make first cut relatively high; the second to the desired height.
- Do not mow grass when it is wet. Wet grass will plug mower and leave undesirable clumps. Allow grass to dry before mowing.
- **Always operate engine at full throttle when mowing** to assure better mowing performance and proper discharge of material. Regulate ground speed by selecting a low enough gear to give the mower cutting performance as well as the quality of cut desired.
- When operating attachments, select a ground speed that will suit the terrain and give best performance of the attachment being used.

MAINTENANCE

MAINTENANCE SCHEDULE		BEFORE EACH USE	EVERY 8 HOURS	EVERY 25 HOURS	EVERY 50 HOURS	EVERY 100 HOURS	EVERY SEASON	BEFORE STORAGE
TRACTOR	Check Brake Operation	✓	✓					
	Check Tire Pressure	✓	✓					
	Check Operator Presence & ROS Systems	✓						
	Check for Loose Fasteners	✓				✓		✓
	Check/Replace Mower Blades			✓ ³				
	Lubrication Chart			✓				✓
	Check Battery Level			✓ ⁴				
	Clean Battery and Terminals			✓				✓
	Check Transaxle Cooling			✓				
	Check Mower Levelness				✓			
	Check V-Belts					✓		
ENGINE	Check Engine Oil Level	✓	✓					
	Change Engine Oil (with oil filter)				✓ ^{1,2}			✓
	Change Engine Oil (without oil filter)			✓ ^{1,2}				✓
	Clean Air Filter			✓ ²				
	Clean Air Screen			✓ ²				
	Inspect Muffler/Spark Arrester				✓			
	Replace Oil Filter (If equipped)					✓ ^{1,2}		
	Clean Engine Cooling Fins					✓ ²		
	Replace Spark Plug					✓	✓	
	Replace Air Filter Paper Cartridge					✓ ²		
	Replace Fuel Filter						✓	

1 - Change more often when operating under a heavy load or in high ambient temperatures.
2 - Service more often when operating in dirty or dusty conditions.

3 - Replace blades more often when mowing in sandy soil.
4 - Not required if equipped with maintenance-free battery.

GENERAL RECOMMENDATIONS

The warranty on this tractor does not cover items that have been subjected to operator abuse or negligence. To receive full value from the warranty, operator must maintain tractor as instructed in this manual.

Some adjustments will need to be made periodically to properly maintain your tractor.

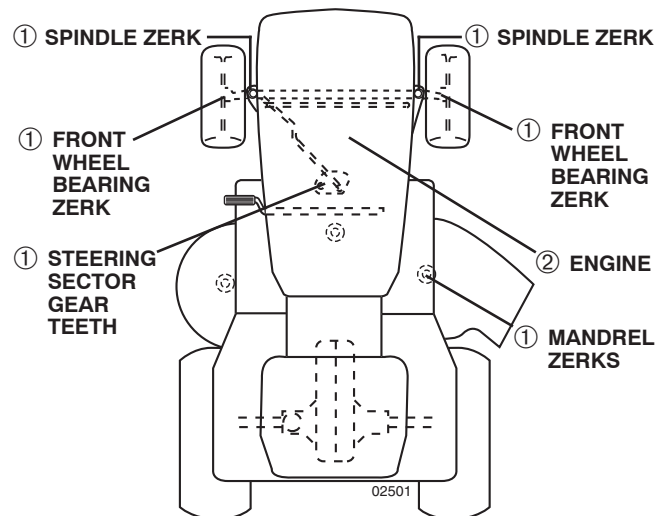
At least once a season, check to see if you should make any of the adjustments described in the Service and Adjustments section of this manual.

- At least once a year you should replace the spark plug, clean or replace air filter, and check blades and belts for wear. A new spark plug and clean air filter assure proper air-fuel mixture and help your engine run better and last longer.

BEFORE EACH USE

- Check engine oil level.
- Check brake operation.
- Check tire pressure.
- Check operator presence and ROS systems for proper operation.
- Check for loose fasteners.

LUBRICATION CHART



- ① General Purpose Grease
- ② Refer to Maintenance "ENGINE" Section

IMPORTANT: DO NOT OIL OR GREASE THE PIVOT POINTS WHICH HAVE SPECIAL NYLON BEARINGS. VISCOUS LUBRICANTS WILL ATTRACT DUST AND DIRT THAT WILL SHORTEN THE LIFE OF THE SELF-LUBRICATING BEARINGS. IF YOU FEEL THEY MUST BE LUBRICATED, USE ONLY A DRY, POWDERED GRAPHITE TYPE LUBRICANT SPARINGLY.

MAINTENANCE

TRACTOR

Always observe safety rules when performing any maintenance.

BRAKE OPERATION

If tractor requires more than five (5) feet to stop at highest speed in highest gear on a level, dry concrete or paved surface, then brake must be checked and adjusted. (See "TO CHECK BRAKE" in the Service and Adjustments section of this manual).

TIRES

- Maintain proper air pressure in all tires (See the sides of tires for proper PSI).
- Keep tires free of gasoline, oil, or insect control chemicals which can harm rubber.
- Avoid stumps, stones, deep ruts, sharp objects and other hazards that may cause tire damage.

NOTE: To seal tire punctures and prevent flat tires due to slow leaks, tire sealant may be purchased from your local parts dealer. Tire sealant also prevents tire dry rot and corrosion.

OPERATOR PRESENCE SYSTEM AND REVERSE OPERATION SYSTEM (ROS) (See Fig. 24)

Be sure operator presence and reverse operation systems are working properly. If your tractor does not function as described, repair the problem immediately.

- The engine should not start unless the brake pedal is fully depressed, and the attachment clutch control is in the disengaged position.

CHECK OPERATOR PRESENCE SYSTEM

- When the engine is running, any attempt by the operator to leave the seat without first setting the parking brake should shut off the engine.
- When the engine is running and the attachment clutch is engaged, any attempt by the operator to leave the seat should shut off the engine.
- The attachment clutch should never operate unless the operator is in the seat.

CHECK REVERSE OPERATION SYSTEM (ROS) SYSTEM

- When the engine is running with the ignition switch in the engine "ON" position and the attachment clutch engaged, any attempt by the operator to shift into reverse should shut off the engine.
- When the engine is running with the ignition switch in the ROS "ON" position and the attachment clutch engaged, any attempt by the operator to shift into reverse should NOT shut off the engine.

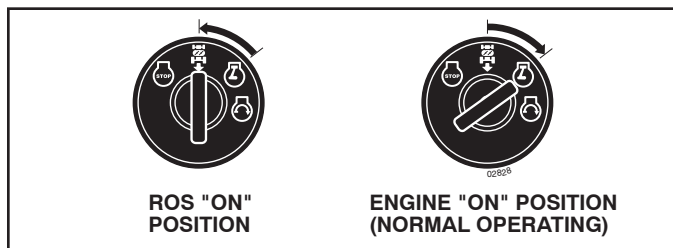


Fig. 24

BLADE CARE

For best results mower blades must be kept sharp. Replace bent or damaged blades.



CAUTION: Use only a replacement blade approved by the manufacturer of your tractor. Using a blade not approved by the manufacturer of your tractor is hazardous, could damage your tractor and void your warranty.

BLADE REMOVAL (See Fig. 25)

- Raise mower to highest position to allow access to blades.
- NOTE:** Protect your hands with gloves and/or wrap blade with heavy cloth.

- Remove blade bolt by turning counterclockwise.
- Install new or resharpened blade with stamped "THIS SIDE UP" facing deck and mandrel assembly.

IMPORTANT: TO ENSURE PROPER ASSEMBLY, CENTER HOLE IN BLADE MUST ALIGN WITH STAR ON MANDREL ASSEMBLY.

- Install and tighten blade bolt securely (45-55 Ft. Lbs. torque).

IMPORTANT: SPECIAL BLADE BOLT HEAT TREATED.

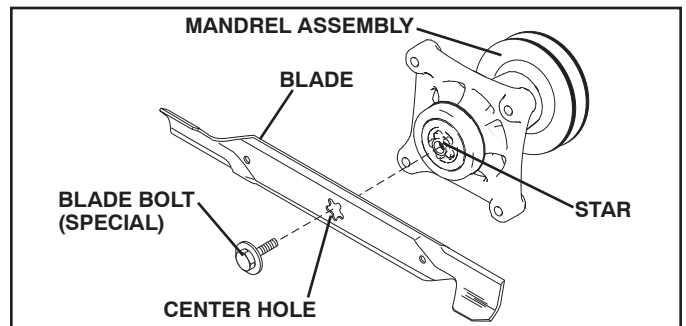


Fig. 25

BATTERY

Your tractor has a battery charging system which is sufficient for normal use. However, periodic charging of the battery with an automotive charger will extend its life.

- Keep battery and terminals clean.
- Keep battery bolts tight.
- Keep small vent holes open.
- Recharge at 6-10 amperes for 1 hour.

NOTE: The original equipment battery on your tractor is maintenance free. Do not attempt to open or remove caps or covers. Adding or checking level of electrolyte is not necessary.

TO CLEAN BATTERY AND TERMINALS

Corrosion and dirt on the battery and terminals can cause the battery to "leak" power.

- Raise hood.
- Disconnect BLACK battery cable first then RED battery cable and remove battery from tractor.
- Rinse the battery with plain water and dry.
- Clean terminals and battery cable ends with wire brush until bright.
- Coat terminals with grease or petroleum jelly.
- Reinstall battery (See "REPLACING BATTERY" in the SERVICE AND ADJUSTMENTS section of this manual).

MAINTENANCE

V-BELTS

Check V-belts for deterioration and wear after 100 hours of operation and replace if necessary. The belts are not adjustable. Replace belts if they begin to slip from wear.

TRANSAXLE MAINTENANCE

The transmission fan and cooling fins should be kept clean to assure proper cooling.

Do not attempt to clean fan or transmission while engine is running or while the transmission is hot. To prevent possible damage to seals, do not use high pressure water or steam to clean transmission.

- Inspect cooling fan to be sure fan blades are intact and clean.
- Inspect cooling fins for dirt, grass clippings and other materials. To prevent damage to seals, do not use compressed air or high pressure sprayer to clean cooling fins.

TRANSAXLE PUMP FLUID

The transaxle was sealed at the factory and fluid maintenance is not required for the life of the transaxle. Should the transaxle ever leak or require servicing, contact your nearest authorized service center/department.

ENGINE

LUBRICATION

Only use high quality detergent oil rated with API service classification SG-SL. Select the oil's SAE viscosity grade according to your expected operating temperature.

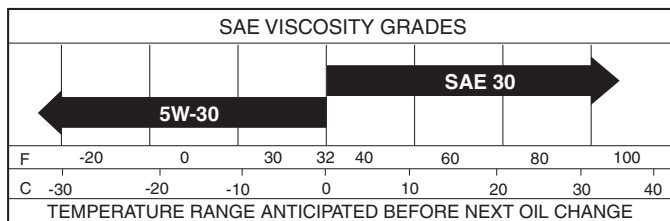


Fig. 26

NOTE: Although multi-viscosity oils (5W30, 10W30 etc.) improve starting in cold weather, they will result in increased oil consumption when used above 32°F. Check your engine oil level more frequently to avoid possible engine damage from running low on oil.

Change the oil after every 50 hours of operation or at least once a year if the tractor is not used for 50 hours in one year.

Check the crankcase oil level before starting the engine and after each eight (8) hours of operation. Tighten oil fill cap/dipstick securely each time you check the oil level.

TO CHANGE ENGINE OIL (See Figs. 26 & 27)

Determine temperature range expected before oil change. All oil must meet API service classification C.

- Be sure tractor is on level surface.
- Oil will drain more freely when warm.
- Catch oil in a suitable container.
- Remove oil fill cap/dipstick. Be careful not to allow dirt to enter the engine when changing oil.
- Remove yellow cap from end of drain valve and install the drain tube onto the fitting.

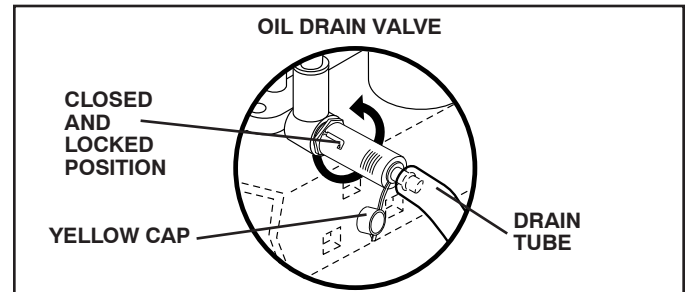


Fig. 27

- Unlock drain valve by pushing inward and turning counterclockwise.
- To open, pull out on the drain valve.
- After oil has drained completely, close and lock the drain valve by pushing inward and turning clockwise until the pin is in the locked position as shown.
- Remove the drain tube and replace the cap onto the bottom fitting of the drain valve.
- Refill engine with oil through oil fill dipstick tube. Pour slowly. Do not overfill. For approximate capacity see "PRODUCT SPECIFICATIONS" section of this manual.
- Use gauge on oil fill cap/dipstick for checking level. Be sure dipstick cap is tightened securely for accurate reading. Keep oil at "FULL" line on dipstick. Tighten cap onto the tube securely when finished.

ENGINE OIL FILTER

Replace the engine oil filter every season or every other oil change if the tractor is used more than 100 hours in one year. See engine manual.

AIR FILTER

Your engine will not run properly using a dirty air filter. Service air cleaner more often under dusty conditions. See Engine Manual.

CLEAN AIR SCREEN

Air screen must be kept free of dirt and chaff to prevent engine damage from overheating. Clean with a wire brush or compressed air to remove dirt and stubborn dried gum fibers.

MAINTENANCE

ENGINE COOLING SYSTEM (See Fig. 28)

Debris may clog the engine's air cooling system. Remove blower housing and clean the area shown to prevent overheating and engine damage.

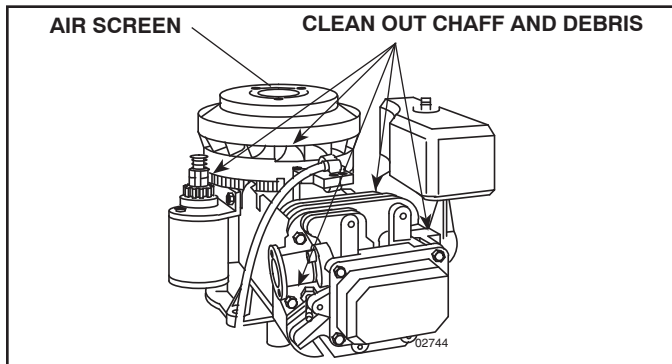


Fig. 28

MUFFLER

Inspect and replace corroded muffler and spark arrester (if equipped) as it could create a fire hazard and/or damage.

SPARK PLUGS

Replace spark plugs at the beginning of each mowing season or after every 100 hours of operation, whichever occurs first. Spark plug type and gap setting are shown in "PRODUCT SPECIFICATIONS" section of this manual.

IN-LINE FUEL FILTER (See Fig. 29)

The fuel filter should be replaced once each season. If fuel filter becomes clogged, obstructing fuel flow to carburetor, replacement is required.

- With engine cool, remove filter and plug fuel line sections.
- Place new fuel filter in position in fuel line with arrow pointing towards carburetor.
- Be sure there are no fuel line leaks and clamps are properly positioned.
- Immediately wipe up any spilled gasoline.

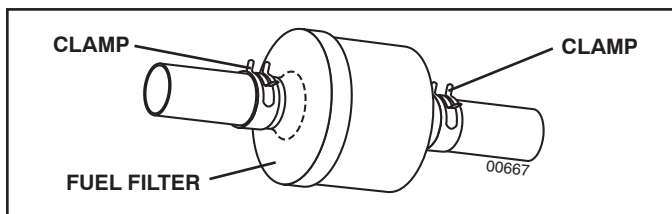


Fig. 29

CLEANING

- Clean engine, battery, seat, finish, etc. of all foreign matter.
- Keep finished surfaces and wheels free of all gasoline, oil, etc.
- Protect painted surfaces with automotive type wax.

We do not recommend using a garden hose or pressure washer to clean your tractor unless the engine and transmission are covered to keep water out. Water in engine or transmission will shorten the useful life of your tractor. Use compressed air or a leaf blower to remove grass, leaves and trash from tractor and mower.

DECK WASHOUT PORT (See Fig. 30)

Your tractor's deck is equipped with a washout port on its surface as part of its deck wash system. It should be utilized after each use.

1. Drive the tractor to a level, clear spot on your lawn, near enough to a water spigot for your garden hose to reach.

IMPORTANT: Make certain the tractor's discharge chute is directed AWAY from your house, garage, parked cars, etc. Remove bagger chute or mulch cover if attached.

2. Make sure the PTO (Blade Engage) is not engaged, set the parking brake, and stop the engine.
3. Thread the nozzle adapter (packaged with your tractor's Operator's Manual) onto the end of your garden hose.
4. Pull back the lock collar of the nozzle adapter and push the adapter onto the deck washout port at the left end of the mower deck. Release the lock collar to lock the adapter on the nozzle.

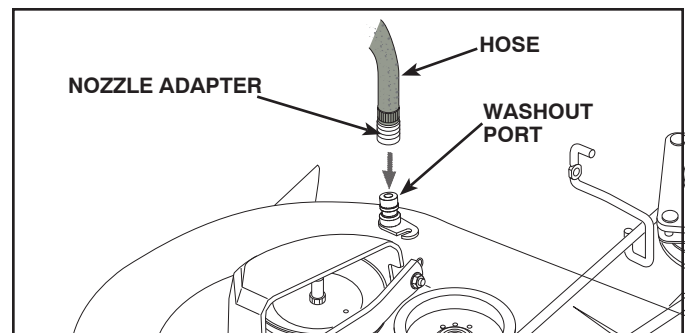


Fig. 30

IMPORTANT: Tug hose ensuring connection is secure.

5. Turn the water on.
6. While sitting in the operator's position on the tractor, re-start the engine and place the throttle lever in the Fast "↶" position.

IMPORTANT: Recheck the area making certain the area is clear.

7. Move the tractor's PTO (Blade Engage) to the ON position. Remain in the operator's position with the cutting deck engaged until the deck is cleaned.
8. Move the tractor's PTO (Blade Engage) to the OFF position. Turn the ignition key to the STOP position to turn the tractor's engine off. Turn the water off.
9. Pull back the lock collar of the nozzle adapter to disconnect the adapter from the nozzle washout port.
10. Move the tractor to a dry area, preferably a concrete or paved area. Engage the mower deck PTO to remove excess water and to help dry before putting the tractor away.



WARNING: A broken or missing washout fitting could expose you or others to thrown objects from contact with the blade.

- Replace broken or missing washout fitting immediately, prior to using mower again.
- Plug any holes in mower with bolts and locknuts.

SERVICE AND ADJUSTMENTS



WARNING: TO AVOID SERIOUS INJURY, BEFORE PERFORMING ANY SERVICE OR ADJUSTMENTS:

- Depress brake pedal fully and set parking brake.
- Place attachment clutch in “DISENGAGED” position.
- Turn ignition key to “STOP” and remove key.
- Make sure the blades and all moving parts have completely stopped.
- Disconnect spark plug wire from spark plug and place wire where it cannot come in contact with plug.

TO REMOVE MOWER (See Fig. 31)

- Place attachment clutch in “DISENGAGED” position.
- Lower attachment lift lever to its lowest position.
- Disengage belt tension rod (K) from lock bracket (L).



CAUTION: Belt tension rod is spring loaded. Have a tight grip on rod and release slowly.

- Remove mower belt from electric clutch pulley (M).
- Disconnect front link (E) from mower - remove retainer spring and washer.
- Go to either side of mower and disconnect mower suspension arm (A) from chassis and rear lift link (C) from rear mower bracket (D) - remove retainer springs and washers.
- Go to other side of mower and disconnect the suspension arm and rear lift link.



CAUTION: After rear lift links are disconnected, the attachment lift lever will be spring loaded. Have a tight grip on lift lever when changing position of the lever.

- From right side of mower, disconnect anti-sway bar (S) from right rear mower bracket (D) - remove retainer spring and washer and pull mower toward you until the bar falls from the hole in bracket.
- Turn tractor steering wheel to the left as far as it will go.
- Slide mower out from under right side of tractor.

TO INSTALL MOWER

Follow procedure described in “INSTALL MOWER AND DRIVE BELT” in the Assembly section of this manual.

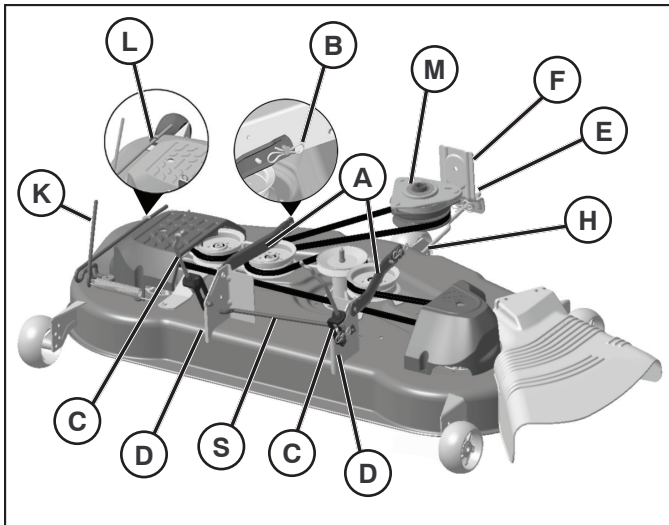


Fig. 31

TO REPLACE MOWER BLADE DRIVE BELT (See Fig. 32)

MOWER DRIVE BELT REMOVAL

- Park tractor on a level surface. Engage parking brake.
- Lower attachment lift lever to its lowest position.
- Disengage belt tension rod (K) from lock bracket (L).



CAUTION: Belt tension rod is spring loaded. Have a firm grip on rod and release slowly.

- Remove screws (P) from mandrel covers (Q) and remove covers.
- Remove any dirt or grass clippings which may have accumulated around mandrels and entire upper deck surface.
- Remove belt from electric clutch pulley (M), both mandrel pulleys (R) and all idler pulleys (V).

MOWER DRIVE BELT INSTALLATION

- Install belt around all mandrel pulleys (R) and around idler pulleys (V) as shown.
- Install belt onto electric clutch pulley (M).

IMPORTANT: Check belt for proper routing in all mower pulley grooves.

- Reassemble mandrel covers (Q). Securely tighten all screws.
- Engage belt tension rod (K) on locking bracket (L).



CAUTION: Belt tension rod is spring loaded. Have a tight grip on rod and engage slowly.

- Raise attachment lift lever to highest position.

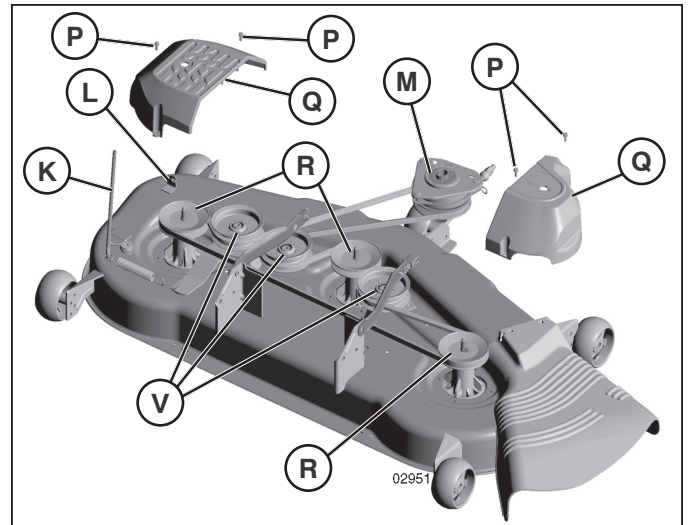


Fig. 32

SERVICE AND ADJUSTMENTS

TO LEVEL MOWER

Make sure tires are properly inflated to the PSI shown on tires. If tires are over or under inflated, it may affect the appearance of your lawn and lead you to think the mower is not adjusted properly.

VISUAL SIDE-TO-SIDE ADJUSTMENT (See Fig. 33)

- With all tires properly inflated and if your lawn appears unevenly cut, determine which side of mower is cutting lower.

NOTE: As desired, you can raise the low side of mower or lower the high side.

- Go to side of mower you wish to adjust.
- With a 3/4" or adjustable wrench, turn lift link adjustment nut (A) to the left to lower the mower, or, to the right to raise the mower.

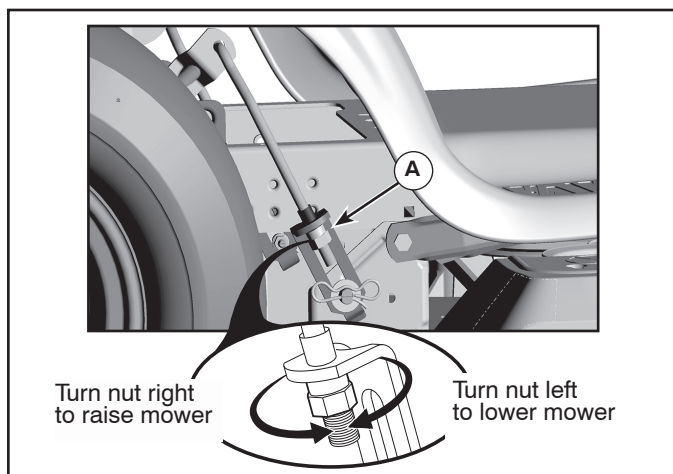


Fig. 33

NOTE: Each full turn of adjustment nut will change mower height about 3/16".

- Test your adjustment by mowing some uncut grass and visually checking the appearance. Readjust, if necessary, until you are satisfied with the results.

PRECISION SIDE-TO-SIDE ADJUSTMENT (See Fig. 34)

- With all tires properly inflated, park tractor on level ground or driveway.



CAUTION: Blades are sharp. Protect your hands with gloves and/or wrap blade with heavy cloth.

- Raise mower to its highest position.
- At both sides of mower, position blade at side and measure the distance (A) from bottom edge of blade to the ground. The distance should be the same on both sides.

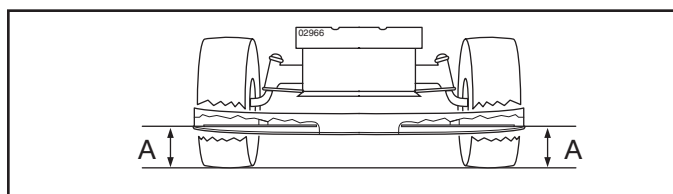


Fig. 34

- If adjustment is necessary, see steps in Visual Adjustment instructions above.
- Recheck measurements, adjust if necessary until both sides are equal.

FRONT-TO-BACK ADJUSTMENT (See Figs. 35 & 36)

IMPORTANT: Deck must be level side-to-side.

To obtain the best cutting results, the mower blades should be adjusted so the front tip is 1/8" to 1/2" lower than the rear tip when the mower is in its highest position.



CAUTION: Blades are sharp. Protect your hands with gloves and/or wrap blade with heavy cloth.

- Raise mower to highest position.
- Position any blade so the tip is pointing straight forward. Measure distance (B) to the ground at front and rear tip of the blade.

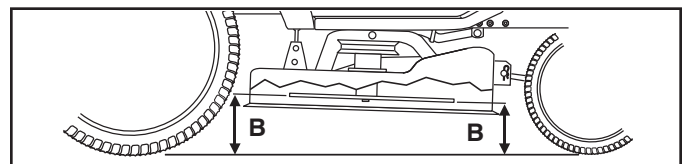


Fig. 35

- If front tip of blade is not 1/8" to 1/2" lower than the rear tip, go to the front of tractor.
- With an 11/16" or adjustable wrench, loosen jam nut A several turns to clear adjustment nut B.
- With a 3/4" or adjustable wrench, turn front link adjustment nut (B) clockwise (tighten) to raise the front of mower, or, counterclockwise (loosen) to lower the front mower.

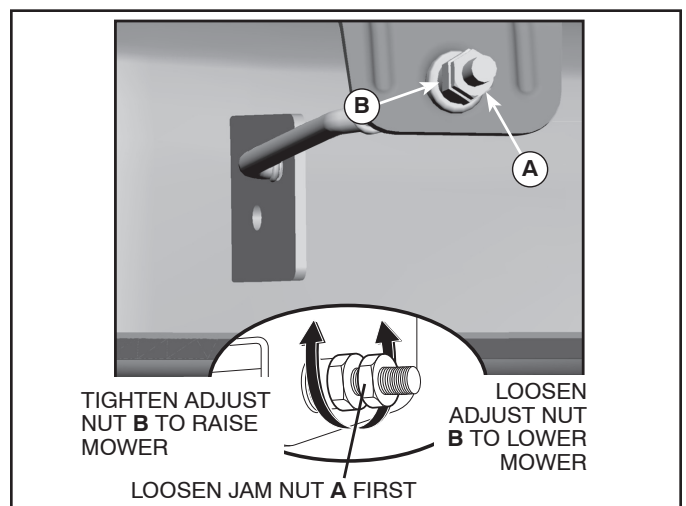


Fig. 36

NOTE: Each full turn of the adjustment nut will change mower height about 1/8".

- Recheck measurements, adjust if necessary until front tip of blade is 1/8" to 1/2" lower than the rear tip.
- Hold adjustment nut in position with wrench and tighten jam nut securely against adjustment nut.

SERVICE AND ADJUSTMENTS

TO REPLACE MOTION DRIVE BELT (See Fig. 37)

Park the tractor on level surface. Engage parking brake. For assistance, there is a belt installation guide decal on bottom side of left footrest.

BELT REMOVAL -

1. Remove mower (See "TO REMOVE MOWER" section in this manual).

NOTE: Observe entire motion drive belt and position of all belt guides and keepers.

2. Disconnect clutch wire harness (A).
3. Remove anti-rotation link (B) on right side of tractor.
4. Remove belt from stationary idler (C) and clutching idler (D).
5. Remove belt from centerspan idler (E).
6. Pull belt slack toward rear of tractor. Carefully remove belt upwards from transmission input pulley and over cooling fan blades (F).
7. Remove belt downward from engine pulley and around electric clutch (G).
8. Slide belt toward rear of tractor, off the steering plate (H) and remove from tractor.

BELT INSTALLATION -

1. Install new belt from tractor rear to front, over the steering plate (H) and above clutch brake pedal shaft (J).
2. Pull belt toward front of tractor and roll belt around electric clutch and onto engine pulley (G).
3. Pull belt toward rear of tractor. Carefully work belt down around transmission cooling fan and onto the input pulley (F). Be sure belt is inside the belt keeper.
4. Install belt on centerspan idler (E).
5. Install belt through stationary idler (C) and clutching idler (D).
6. Reinstall anti-rotation link (B) on right side of tractor. Tighten securely.
7. Reconnect clutch harness (A).
8. Make sure belt is in all pulley grooves and inside all belt guides and keepers.
9. Install mower (See "TO INSTALL MOWER" section in this manual).

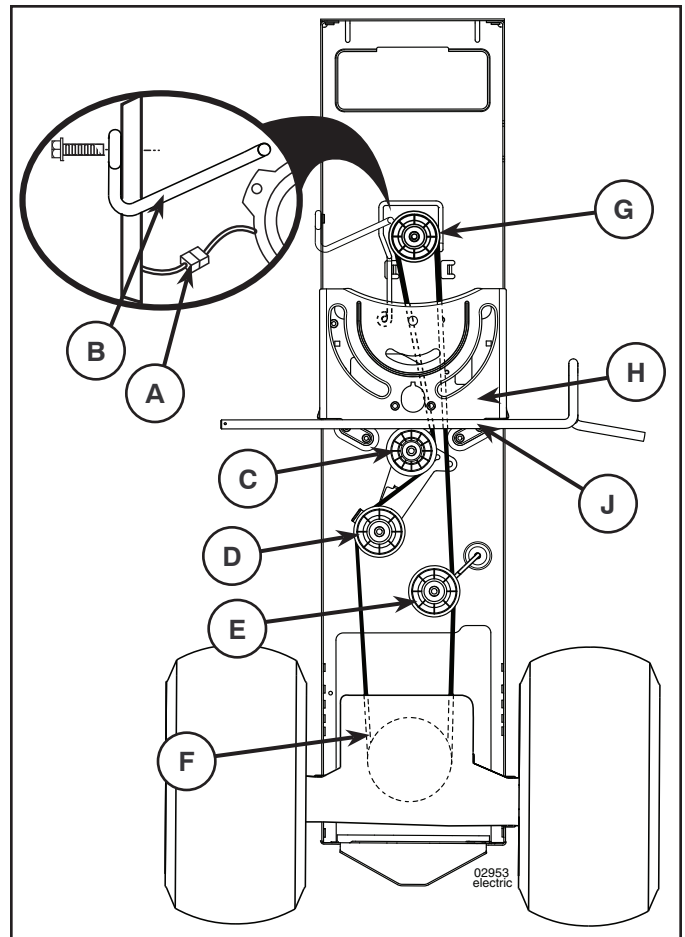


Fig. 37

TO REMOVE WHEEL (See Fig. 38)

- Block up axle securely.
- Remove axle cover, retaining ring and washers to allow wheel removal (rear wheel contains a square key - Do not lose).
- Repair tire and reassemble.
- On rear wheels only: align grooves in rear wheel hub and axle. Insert square key.
- Replace washers and snap retaining ring securely in axle groove.
- Replace axle cover.

NOTE: To seal tire punctures and prevent flat tires due to slow leaks, tire sealant may be purchased from your local parts dealer. Tire sealant also prevents tire dry rot and corrosion.

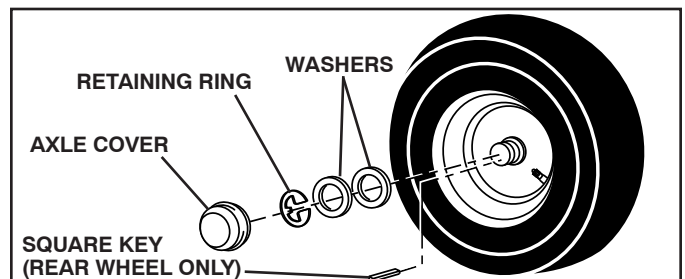


Fig. 38

SERVICE AND ADJUSTMENTS

TRANSAXLE MOTION CONTROL LEVER NEUTRAL ADJUSTMENT (See Fig. 39)

The motion control lever has been preset at the factory and adjustment should not be necessary.

- Loosen adjustment bolt in front of the right rear wheel, and lightly tighten.
- Start engine and move motion control lever until tractor does not move forward or backward.
- Hold motion control lever in that position and turn engine off.
- While holding motion control lever in place, loosen the adjustment bolt.
- Move motion control lever to the neutral (lock gate) position.
- Tighten adjustment bolt securely.

NOTE: If additional clearance is needed to get to adjustment bolt, move mower deck height to the lowest position.

After above adjustment is made, if the tractor still creeps forward or backward while motion control lever is in neutral position, follow these steps:

- Loosen the adjustment bolt.
- Move the motion control lever 1/4 to 1/2 inch in the direction it is trying to creep.
- Tighten adjustment bolt securely.
- Start engine and test.
- If tractor still creeps, repeat above steps until satisfied.

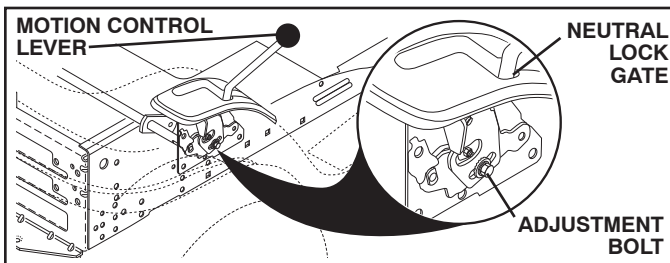


Fig. 39

TO CHECK BRAKE

If tractor requires more than five (5) feet to stop at highest speed in highest gear on a level, dry concrete or paved surface, then brake must be serviced.

You may also check brake by:

1. Park tractor on a level, dry concrete or paved surface, depress brake pedal all the way down and engage parking brake.
2. Disengage transmission by placing freewheel control in "transmission disengaged" position. Pull freewheel control out and into the slot and release so it is held in the disengaged position.

The rear wheels must lock and skid when you try to manually push the tractor forward. If the rear wheels rotate, then the brake needs to be serviced. Contact a qualified service center.

FRONT WHEEL TOE-IN/CAMBER

Your new tractor front wheel toe-in and camber is set at the factory and is normal. The front wheel toe-in and camber are not adjustable. If damage has occurred to affect the factory set front wheel toe-in or camber, contact a qualified service center.

TO START ENGINE WITH A WEAK BATTERY (See Fig. 40)



WARNING: Lead-acid batteries generate explosive gases. Keep sparks, flame and smoking materials away from batteries. Always wear eye protection when around batteries.

If your battery is too weak to start the engine, it should be recharged. (See "BATTERY" in the MAINTENANCE section of this manual).

If "jumper cables" are used for emergency starting, follow this procedure:

IMPORTANT: YOUR TRACTOR IS EQUIPPED WITH A 12 VOLT SYSTEM. THE OTHER VEHICLE MUST ALSO BE A 12 VOLT SYSTEM. DO NOT USE YOUR TRACTOR BATTERY TO START OTHER VEHICLES.

TO ATTACH JUMPER CABLES -

- Connect one end of the RED cable to the POSITIVE (+) terminal of each battery (A-B), taking care not to short against tractor chassis.
- Connect one end of the BLACK cable to the NEGATIVE (-) terminal (C) of fully charged battery.
- Connect the other end of the BLACK cable (D) to good chassis ground, away from fuel tank and battery.

TO REMOVE CABLES, REVERSE ORDER -

- BLACK cable first from chassis and then from the fully charged battery.
- RED cable last from both batteries.

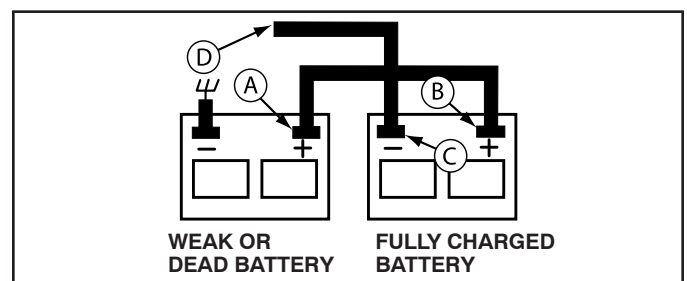


Fig. 40

SERVICE AND ADJUSTMENTS

REPLACING BATTERY (See Fig. 41)



WARNING: Do not short battery terminals by allowing a wrench or any other object to contact both terminals at the same time. Before connecting battery, remove metal bracelets, wristwatch bands, rings, etc. Positive terminal must be connected first to prevent sparking from accidental grounding.

- Lift hood to raised position.
- Remove terminal cover.
- Disconnect BLACK battery cable then RED battery cable and carefully remove battery from tractor.
- Install new battery with terminals in same position as old battery.
- Reinstall terminal cover.
- First connect RED battery cable to positive (+) battery terminal with bolt and nut as shown. Tighten securely.
- Connect BLACK grounding cable to negative (-) battery terminal with remaining bolt and nut. Tighten securely
- Close hood.

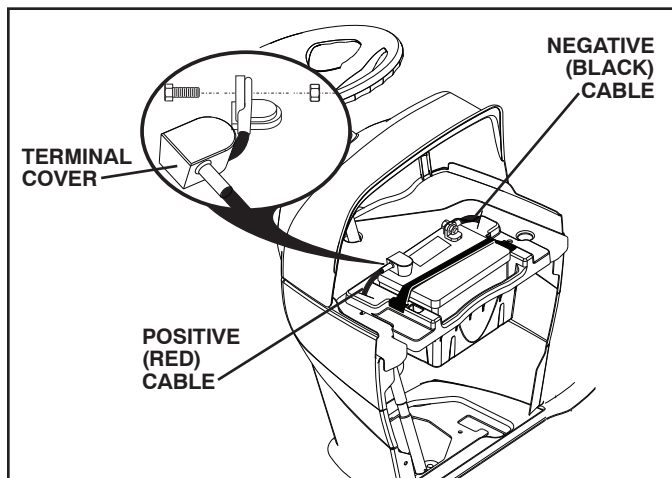


Fig. 41

TO REPLACE HEADLIGHT BULB

- Raise hood.
- Pull bulb holder out of the hole in the backside of the grill.
- Replace bulb in holder and push bulb holder securely back into the hole in the backside of the grill.
- Close hood.

INTERLOCKS AND RELAYS

Loose or damaged wiring may cause your tractor to run poorly, stop running, or prevent it from starting.

- Check wiring.

TO REPLACE FUSE

Replace with 20 amp automotive-type plug-in fuse. The fuse holder is located behind the dash.

TO REMOVE HOOD AND GRILL ASSEMBLY (See Fig. 42)

- Raise hood.
- Unsnap headlight wire connector.
- Stand in front of tractor. Grasp hood at sides, tilt toward engine and lift off of tractor.
- To replace, reverse above procedure.

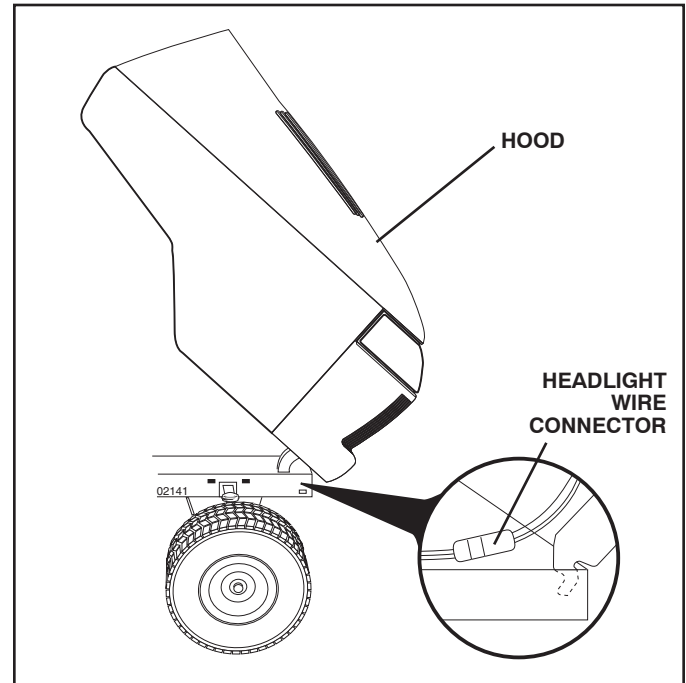


Fig. 42

TRANSMISSION

REMOVAL/REPLACEMENT

Should your transmission require removal for service or replacement, it should be purged after reinstallation and before operating the tractor. See "PURGE TRANSMISSION" in the Operation section of this manual.

ENGINE

TO ADJUST THROTTLE CONTROL CABLE

The throttle control has been preset at the factory and adjustment should not be necessary. If adjustment is necessary, see engine manual.

TO ADJUST CHOKE CONTROL

The choke control has been preset at the factory and adjustment should not be necessary. If adjustment is necessary, see engine manual.

TO ADJUST CARBURETOR

Your carburetor is not adjustable. If your engine does not operate properly due to suspected carburetor problems, take your tractor to an authorized service center for repair and/or adjustment.

STORAGE

Immediately prepare your tractor for storage at the end of the season or if the tractor will not be used for 30 days or more.



WARNING: Never store the tractor with gasoline in the tank inside a building where fumes may reach an open flame or spark. Allow the engine to cool before storing in any enclosure.

TRACTOR

Remove mower from tractor for winter storage. When mower is to be stored for a period of time, clean it thoroughly, remove all dirt, grease, leaves, etc. Store in a clean, dry area.

- Clean entire tractor (See “CLEANING” in the Maintenance section of this manual).
- Inspect and replace belts, if necessary (See belt replacement instructions in the Service and Adjustments section of this manual).
- Lubricate as shown in the Maintenance section of this manual.
- Be sure that all nuts, bolts and screws are securely fastened. Inspect moving parts for damage, breakage and wear. Replace if necessary.
- Touch up all rusted or chipped paint surfaces; sand lightly before painting.

BATTERY

- Fully charge the battery for storage.
- After a period of time in storage, battery may require recharging.
- To help prevent corrosion and power leakage during long periods of storage, battery cables should be disconnected and battery cleaned thoroughly (see “TO CLEAN BATTERY AND TERMINALS” in the Maintenance section of this manual).
- After cleaning, leave cables disconnected and place cables where they cannot come in contact with battery terminals.
- If battery is removed from tractor for storage, do not store battery directly on concrete or damp surfaces.

ENGINE

FUEL SYSTEM

IMPORTANT: IT IS IMPORTANT TO PREVENT GUM DEPOSITS FROM FORMING IN ESSENTIAL FUEL SYSTEM PARTS SUCH AS CARBURETOR, FUEL FILTER, FUEL HOSE, OR TANK DURING STORAGE. ALSO, EXPERIENCE INDICATES THAT ALCOHOL BLENDED FUELS (CALLED GASOHOL OR USING ETHANOL OR METHANOL) CAN ATTRACT MOISTURE WHICH LEADS TO SEPARATION AND FORMATION OF ACIDS DURING STORAGE. ACIDIC GAS CAN DAMAGE THE FUEL SYSTEM OF AN ENGINE WHILE IN STORAGE.

- Empty the fuel tank by starting the engine and let it run until the fuel lines and carburetor are empty.
- Never use engine or carburetor cleaner products in the fuel tank or permanent damage may occur.
- Use fresh fuel next season.

NOTE: Fuel stabilizer is an acceptable alternative in minimizing the formation of fuel gum deposits during storage. Add stabilizer to gasoline in fuel tank or storage container. Always follow the mix ratio found on stabilizer container. Run engine at least 10 minutes after adding stabilizer to allow the stabilizer to reach the carburetor. Do not empty the gas tank and carburetor if using fuel stabilizer.

ENGINE OIL

Drain oil (with engine warm) and replace with clean engine oil. (See “ENGINE” in the Maintenance section of this manual).

CYLINDER(S)

- Remove spark plug(s).
- Pour one ounce of oil through spark plug hole(s) into cylinder(s).
- Turn ignition key to “START” position for a few seconds to distribute oil.
- Replace with new spark plug(s).

OTHER

- Do not store gasoline from one season to another.
- Replace your gasoline can if your can starts to rust. Rust and/or dirt in your gasoline will cause problems.
- If possible, store your tractor indoors and cover it to give protection from dust and dirt.
- Cover your tractor with a suitable protective cover that does not retain moisture. Do not use plastic. Plastic cannot breathe which allows condensation to form and will cause your tractor to rust.

IMPORTANT: NEVER COVER TRACTOR WHILE ENGINE AND EXHAUST AREAS ARE STILL WARM.

TROUBLESHOOTING

PROBLEM	CAUSE	CORRECTION
Will not start	<ol style="list-style-type: none"> 1. Out of fuel. 2. Engine not "CHOKED" properly. 3. Engine flooded. 4. Bad spark plug. 5. Dirty air filter. 6. Dirty fuel filter. 7. Water in fuel. 8. Loose or damaged wiring. 9. Carburetor out of adjustment. 10. Engine valves out of adjustment. 	<ol style="list-style-type: none"> 1. Fill fuel tank. 2. See "TO START ENGINE" in Operation section. 3. Wait several minutes before attempting to start. 4. Replace spark plug. 5. Clean/replace air filter. 6. Replace fuel filter. 7. Empty fuel tank and carburetor, refill tank with fresh gasoline and replace fuel filter. 8. Check all wiring. 9. See "To Adjust Carburetor" in Service Adjustments section. 10. Contact an authorized service center/department.
Hard to start	<ol style="list-style-type: none"> 1. Dirty air filter. 2. Bad spark plug. 3. Weak or dead battery. 4. Dirty fuel filter. 5. Stale or dirty fuel. 6. Loose or damaged wiring. 7. Carburetor out of adjustment. 8. Engine valves out of adjustment. 	<ol style="list-style-type: none"> 1. Clean/replace air filter. 2. Replace spark plug. 3. Recharge or replace battery. 4. Replace fuel filter. 5. Empty fuel tank and refill tank with fresh, clean gas. 6. Check all wiring. 7. See "To Adjust Carburetor" in Service Adjustments section. 8. Contact an authorized service center/department.
Engine will not turn over	<ol style="list-style-type: none"> 1. Brake pedal not depressed. 2. Attachment clutch is engaged. 3. Weak or dead battery. 4. Blown fuse. 5. Corroded battery terminals. 6. Loose or damaged wiring. 7. Faulty ignition switch. 8. Faulty solenoid or starter. 9. Faulty operator presence switch(es). 	<ol style="list-style-type: none"> 1. Depress brake pedal. 2. Disengage attachment clutch. 3. Recharge or replace battery. 4. Replace fuse. 5. Clean battery terminals. 6. Check all wiring. 7. Check/replace ignition switch. 8. Check/replace solenoid or starter. 9. Contact an authorized service center/department.
Engine clicks but will not start	<ol style="list-style-type: none"> 1. Weak or dead battery. 2. Corroded battery terminals. 3. Loose or damaged wiring. 4. Faulty solenoid or starter. 	<ol style="list-style-type: none"> 1. Recharge or replace battery. 2. Clean battery terminals. 3. Check all wiring. 4. Check/replace solenoid or starter.
Loss of power	<ol style="list-style-type: none"> 1. Cutting too much grass/too fast. 2. Throttle in "CHOKE" position. 3. Build-up of grass, leaves, trash under mower. 4. Dirty air filter. 5. Low oil level/dirty oil. 6. Faulty spark plug. 7. Dirty fuel filter. 8. Stale or dirty fuel. 9. Water in fuel. 10. Spark plug wire loose. 11. Dirty engine air screen/fins. 12. Dirty/clogged muffler. 13. Loose or damaged wiring. 14. Carburetor out of adjustment. 15. Engine valves out of adjustment. 	<ol style="list-style-type: none"> 1. Raise cutting height/reduce speed. 2. Adjust throttle control. 3. Clean underside of mower housing. 4. Clean/replace air filter. 5. Check oil level/change oil. 6. Clean and regap or change spark plug. 7. Replace fuel filter. 8. Empty fuel tank and refill tank with fresh, clean gas. 9. Empty fuel tank and carburetor, refill tank with fresh gasoline and replace fuel filter. 10. Connect and tighten spark plug wire. 11. Clean engine air screen/fins. 12. Clean/replace muffler. 13. Check all wiring. 14. See "To Adjust Carburetor" in Service Adjustments 15. Contact an authorized service center/department.
Excessive vibration	<ol style="list-style-type: none"> 1. Worn, bent or loose blade. 2. Bent blade mandrel. 3. Loose/damaged part(s). 	<ol style="list-style-type: none"> 1. Replace blade. Tighten blade bolt. 2. Replace blade mandrel. 3. Tighten loose part(s). Replace damaged parts.

TROUBLESHOOTING

PROBLEM	CAUSE	CORRECTION
Engine continues to run when operator leaves seat with attachment clutch engaged	<ol style="list-style-type: none"> 1. Faulty operator-safety presence control system. 	<ol style="list-style-type: none"> 1. Check wiring, switches and connections. If not corrected, contact an authorized service center/department.
Poor cut - uneven	<ol style="list-style-type: none"> 1. Worn, bent or loose blade. 2. Mower deck not level. 3. Buildup of grass, leaves, trash under mower. 4. Bent blade mandrel. 5. Clogged mower deck vent holes from buildup of grass, leaves, and trash around mandrels. 	<ol style="list-style-type: none"> 1. Replace blade. Tighten blade bolt. 2. Level mower deck. 3. Clean underside of mower housing. 4. Replace blade mandrel. 5. Clean around mandrels to open vent holes.
Mower blades will not rotate	<ol style="list-style-type: none"> 1. Obstruction in clutch mechanism. 2. Worn/damaged mower drive belt. 3. Frozen idler pulley. 4. Frozen blade mandrel. 	<ol style="list-style-type: none"> 1. Remove obstruction. 2. Replace mower drive belt. 3. Replace idler pulley. 4. Replace blade mandrel.
Poor grass discharge	<ol style="list-style-type: none"> 1. Engine speed too slow. 2. Travel speed too fast. 3. Wet grass. 4. Mower deck not level. 5. Low/uneven tire air pressure. 6. Worn, bent or loose blade. 7. Buildup of grass, leaves, trash under mower. 8. Mower drive belt worn. 9. Blades improperly installed. 10. Improper blades used. 11. Clogged mower deck vent holes from buildup of grass, leaves, trash around mandrels. 	<ol style="list-style-type: none"> 1. Place throttle control in "FAST" position. 2. Shift to slower speed. 3. Allow grass to dry before mowing. 4. Level mower deck. 5. Check tires for proper air pressure. 6. Replace blade. Tighten blade bolt. 7. Clean underside of mower housing. 8. Replace mower drive belt. 9. Reinstall blades sharp edge down. 10. Replace with blades listed in parts manual. 11. Clean around mandrels to open vent holes.
Headlight(s) not working (if so equipped)	<ol style="list-style-type: none"> 1. Switch is "OFF". 2. Bulb(s) or lamp(s) burned out. 3. Faulty light switch. 4. Loose or damaged wiring. 5. Blown fuse. 	<ol style="list-style-type: none"> 1. Turn switch "ON". 2. Replace bulb(s) or lamp(s). 3. Check/replace light switch. 4. Check wiring and connections. 5. Replace fuse.
Battery will not charge	<ol style="list-style-type: none"> 1. Bad battery cell(s). 2. Poor cable connections. 3. Faulty regulator (if so equipped). 4. Faulty alternator. 	<ol style="list-style-type: none"> 1. Replace battery. 2. Check/clean all connections. 3. Replace regulator. 4. Replace alternator.
Loss of drive	<ol style="list-style-type: none"> 1. Freewheel control in "disengaged" position. 2. Motion drive belt worn, damaged, or broken. 3. Air trapped in transmission during shipment or servicing. 	<ol style="list-style-type: none"> 1. Place freewheel control in "engaged" position. 2. Replace motion drive belt. 3. Purge transmission.
Engine "back-fires" when turning engine "OFF"	<ol style="list-style-type: none"> 1. Engine throttle control not set between half and full speed (fast) position before stopping engine. 	<ol style="list-style-type: none"> 1. Move throttle control between half and full speed (fast) position before stopping engine.
Engine dies when tractor is shifted into reverse	<ol style="list-style-type: none"> 1. Reverse operation system (ROS) is not "ON" while mower or other attachment is engaged. 	<ol style="list-style-type: none"> 1. Turn ignition key to ROS "ON" position. See Operation section.

SERVICE NOTES

LIMITED WARRANTY

The Manufacturer warrants to the original consumer purchaser that this product as manufactured is free from defects in materials and workmanship. For a period of two (2) years from date of purchase by the original consumer purchaser, we will repair or replace, at our option, without charge for parts or labor incurred in replacing parts, any part which we find to be defective due to materials or workmanship. This Warranty is subject to the following limitations and exclusions.

1. This warranty does not apply to the engine, transaxle/transmission components, battery (except as noted below) or components parts thereof. Please refer to the applicable manufacturer's warranty on these items.
2. Transportation charges for the movement of any power equipment unit or attachment are the responsibility of the purchaser. Transportation charges for any parts submitted for replacement under this warranty must be paid by the purchaser unless such return is requested by the manufacturer.
3. Battery Warranty: On products equipped with a Battery, we will replace, without charge to you, any battery which we find to be defective in manufacture, during the first ninety (90) days of ownership. After ninety (90) days, we will exchange the Battery, charging you 1/12 of the price of a new Battery for each full month from the date of the original sale. Battery must be maintained in accordance with the instructions furnished.
4. The Warranty period for any products used for rental or commercial purposes is limited to 90 days from the date of original purchase.
5. This Warranty applies only to products which have been properly assembled, adjusted, operated, and maintained in accordance with the instructions furnished. This Warranty does not apply to any product which has been subjected to alteration, misuse, abuse, improper assembly or installation, delivery damage, or to normal wear of the product.
6. Exclusions: Excluded from this Warranty are belts, blades, blade adapters, normal wear, normal adjustments, standard hardware and normal maintenance.
7. In the event you have a claim under this Warranty, you must return the product to an authorized service dealer.

Should you have any unanswered questions concerning this Warranty, please contact:

HOP
Outdoor Products Customer Service Dept.
1030 Stevens Creek Road
Augusta, GA 30907 USA

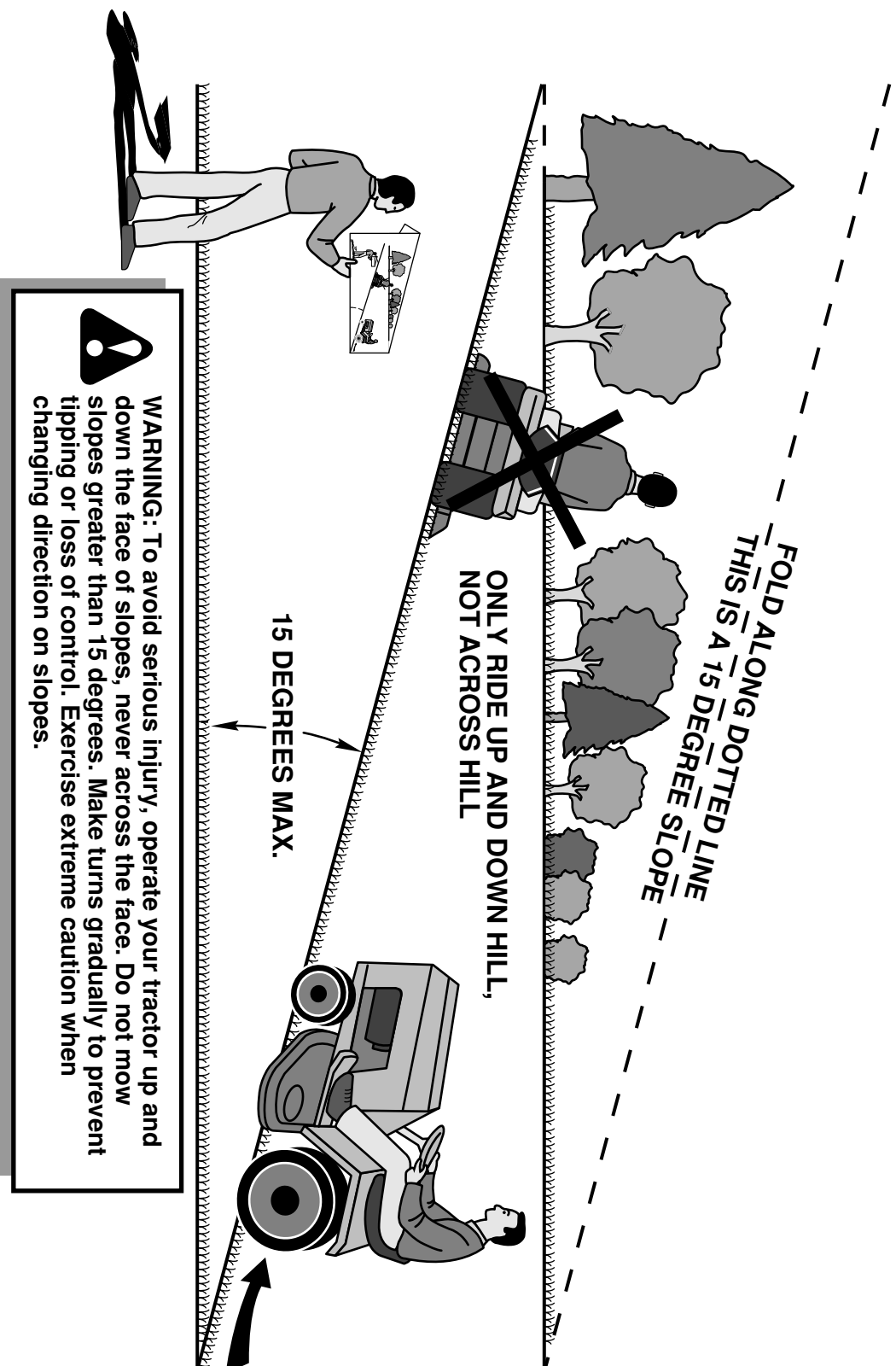
In Canada contact:
HOP
5855 Terry Fox Way
Mississauga, Ontario
L5V 3E4

giving the model number, serial number and date of purchase of your product and the name and address of the authorized dealer from whom it was purchased.

THIS WARRANTY DOES NOT APPLY TO INCIDENTAL OR CONSEQUENTIAL DAMAGES AND ANY IMPLIED WARRANTIES ARE LIMITED TO THE SAME TIME PERIODS STATED HEREIN FOR OUR EXPRESSED WARRANTIES. Some areas do not allow the limitation of consequential damages or limitations of how long an implied Warranty may last, so the above limitations or exclusions may not apply to you. This Warranty gives you specific legal rights, and you may have other rights which vary from locale to locale.

This is a limited Warranty within the meaning of that term as defined in the Magnuson-Moss Act of 1975.

SUGGESTED GUIDE FOR SIGHTING SLOPES FOR SAFE OPERATION



1. Fold this page along dotted line indicated above.
2. Hold page before you so that its left edge is vertically parallel to a tree trunk or other upright structure.
3. Sight across the fold in the direction of hill slope you want to measure.
4. Compare the angle of the fold with the slope of the hill.

Poulan PRO

PARTS AND SERVICE

This product has been expertly engineered and carefully manufactured to rigid quality standards. As with all mechanical products, some adjustments or part replacement may be necessary during the life of your unit.

For Parts and service, contact our authorized distributor: call 1-800-849-1297

- For replacement parts, have available the following information:
 - a. Model Number/Manufacturer's I.D. Number
 - b. Description of part.

For Technical Assistance: call 1-800-829-5886

For a Parts Manual, go to our website: www.poulanpro.com/support.asp

NOTE: HOP provides parts and service through its authorized distributors and dealers; therefore, all requests for parts and service should be directed to your local dealer(s). The philosophy of HOP is to continually improve all of its products. If the operating characteristics or the appearance of your product differs from those described in this Manual, please contact your local dealer for updated information and assistance.

Poulan PRO

L'ENTRETIEN ET

LES PIÈCES DE RECHANGE

Ce produit, conçu avec les soins les plus attentifs, est fabriqué en accord avec des standards stricts. Comme pour tous les produits avec des parties mobiles, il peut être nécessaire pendant la durabilité de votre machine d'effectuer des ajustements ou le remplacement de certaines pièces .

Pour les pièces de rechange et l'entretien, contactez notre concessionnaire autorisé: appelez 1-800-849-1297

• Pour les pièces de rechange, ayez près de vous:

A. Numéro du modèle/Référence numéro du fabricant

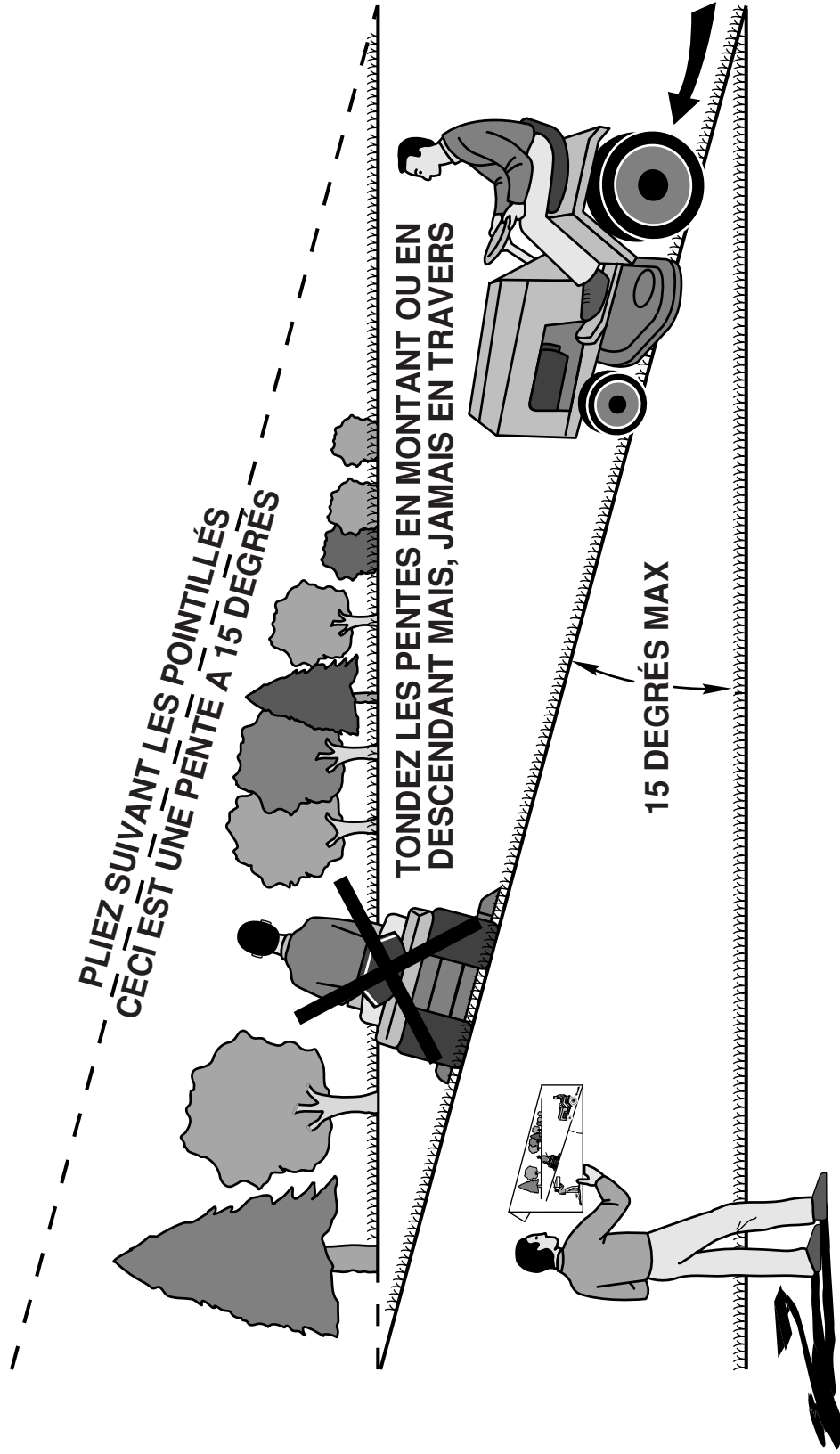
B. Description de la pièce

Pour l'assistance technique: appelez 1-800-829-5886

Pour un manuel de pièces, allez à notre site web: www.poulanpro.com/support.asp

N.B.: HOP assure la distribution des pièces de rechange et l'entretien de ses produits par l'intermédiaire des concessionnaires et des distributeurs agréés; par conséquent toute demande de pièces ou d'entretien doit être adressée directement au distributeur agréé le plus proche. La philosophie de HOP est d'améliorer en permanence la gamme complète de ses produits. Si les caractéristiques ou l'apparence de votre outil sont différentes de celles décrites dans ce Manuel, contactez S.V.P. votre concessionnaire pour les informations et l'assistance concernant les mises à jour.

GUIDE SUGGÈRE POUR L'ÉVALUATION DES PENTES AFIN D'AMÉLIORER LA SÉCURITÉ D'UTILISATION



AVERTISSEMENT: Pour éviter de vous blesser gravement, utilisez votre tracteur parallèlement à la pente, jamais transversalement. N'affrontez pas de pentes de plus de 15 degrés. Effectuez les virages graduellement afin d'éviter le renversement ou la perte de contrôle. Soyez extrêmement prudent quand vous changez de directions sur les pentes.

1. Pliez cette page suivant les pointillées, comme précédemment.
2. Tenez cette page devant vous, avec le côté gauche parallèle à un tronc d'arbre ou à tout autre structure verticale.
3. Regardez à travers la pliure dans la direction de la pente que vous entendez mesurer.
4. Comparez l'angle de la pliure avec la colline.

GARANTIE LIMITÉE

Le Fabricant garantit à l'acheteur initial que son produit tel que manufacturé est libre de défaut de matière et d'ouvrage. Pendant deux (2) ans, à compter de la date d'achat de la part de l'acheteur initial, nous réparerons ou remplacerons à notre choix, gratuitement, toute pièce, sur laquelle nous estimerons qu'il existe un défaut de matière ou d'ouvrage. Cette garantie est soumise aux limitations et exceptions suivantes:

1. Cette garantie ne couvre pas le moteur, la transmission/composants, la batterie (sauf comme mentionnée ci-dessous) ou les pièces détachées. Veuillez-vous consulter la garantie applicable du fabricant des articles.
2. L'acheteur est responsable des frais de transport de tous les équipements actionnés par moteur ou les accessoires. L'acheteur est responsable des frais aussi de transport de toutes les pièces (couvertes par cette garantie) soumis pour le remplacement à moins que manufacturé demande à l'acheteur de renvoyer les pièces.
3. Garantie de la batterie: Pour les produits équipés d'une batterie, nous remplacerons, gratuitement, toute batterie estimée défectueuse pendant les quatre-vingt-dix (90) jours initiaux suivant l'achat. Après quatre-vingt-dix (90) jours, nous échangerons la batterie, le coût pour vous être 1/12 du prix d'une nouvelle batterie pour chaque mois complet à compter de la date d'achat initiale. La batterie doit être entretenue selon les directives données dans la documentation appropriée.
4. La période de garantie applicable aux produits proposés en location ou à des fins commerciales est limitée à quatre-vingt-dix (90) jours à compter de la date d'achat initiale.

5. Cette garantie ne s'applique qu'aux produits correctement montés, réglés, utilisés et entretenus conformément aux instructions données dans la documentation appropriée. Cette garantie ne s'applique pas aux produits qui ont été modifiés, utilisés incorrectement, abusés, mal assemblés, mal installés ou avariés lors de la livraison ou usage normal.
6. Exclusions: Les courroies, les lames, les adaptateurs de lame, l'usage normal, les réglages normaux, la visserie standard, et l'entretien normal sont exclus de cette garantie.
7. En cas de problème entrant dans le cadre de cette garantie, veuillez-vous retourner votre machine à un concessionnaire autorisé.

Si vous auriez aucune question sans réponse concernant cette garantie, s'il vous plaît contactez: en nous donnant le numéro du modèle, le numéro de série, la date d'achat de votre machine ainsi que l'adresse du concessionnaire

HOP
Outdoor Products Customer Service Dept.
1030 Stevens Creek Road
Augusta, GA 30907 USA

Au Canada:
HOP
5855 Terry Fox Way
Mississauga, Ontario
L5V 3E4

autorisé chez qui vous l'avez acheté.

CETTE GARANTIE NE COUVRE AUCUN DOMMAGE INCIDENTEL OU CONSÉQUENT ET TOUTE GARANTIE IMPLICITE EST LIMITÉE AUX MÊMES PÉRIODES PRÉCISÉES ICI POUR LES GARANTIES EXPLICITES DU FABRICANT. Certaines localités ne permettent aucune restriction des dommages conséquents ou de la durée d'une garantie implicite et; par conséquent, il se pourrait que les restrictions et exclusions énoncées ci-dessus ne s'appliquent pas à vous. Cette garantie vous donne droits légaux spécifiques et vous pouvez aussi avoir d'autres droits d'un autre.

Cette garantie est une garantie limitée comme définie dans la loi Magnuson-Moss Act de 1975.

GUIDE DE DÉPANNAGE

PROBLÈME	CAUSE	CORRECTION
La tondeuse (ou son accessoire) s'arrête lorsque le tracteur passe en marche arrière	1. Système de fonctionnement en marche arrière (ROS) est sur OFF n'est pas sur ON	1. Tournez le ROS sur ON.
Le moteur marche lorsque le conducteur quitte le siège avec l'embrayage engagé d'accessoire engagé	1. Le système qui détecte la présence du conducteur est défectueux.	1. Vérifiez le câblage, les interrupteurs et les connexions. Si le problème n'est pas corrigé, contactez un centre d'entretien autorisé.
Coupe inégale	1. La lame est usée, tordue ou lâche. 2. Le carter de tondeuse n'est pas équilibré. 3. Il y a une accumulation d'herbe, de feuilles, et de débris sous la tondeuse. 4. Un mandrin de lame est tordu. 5. Les trous d'évent du carter de tondeuse sont obstrués par l'accumulation de l'herbe, de feuilles, et de débris autour des mandrins.	1. Remplacez la lame. Serrez le boulon de lame. 2. Nivelez le carter de tondeuse. 3. Nettoyez dessous du boîtier de tondeuse. 4. Remplacez le mandrin de lame. 5. Nettoyez les faces de mandrin pour ouvrir les trous d'évent.
Les lames de tondeuse ne tournent pas	1. Une obstruction dans le mécanisme d'embrayage. 2. La courroie d'entraînement de tondeuse est usée ou endommagée. 3. Galet-tendeur grippé. 4. Un mandrin de lame grippé.	1. Enlevez l'obstruction. 2. Remplacez la courroie d'entraînement de tondeuse. 3. Remplacez le galet-tendeur. 4. Remplacez le mandrin de lame.
Mauvaise décharge de l'herbe	1. La vitesse de moteur est trop lente. 2. La vitesse de course est trop rapide. 3. Herbe humide. 4. Le carter de tondeuse n'est pas équilibré. 5. La pression des pneus est basse ou inégale. 6. La lame est usée, tordue ou lâche. 7. Il y a une accumulation d'herbe, de feuilles, et de débris sous la tondeuse. 8. La courroie d'entraînement de tondeuse est usée. 9. Les lames n'ont pas été correctement montées. 10. Les mauvaises lames ont été montées. 11. Les trous d'évent du carter de tondeuse sont obstrués par l'accumulation d'herbe, de feuilles, et de débris autour des mandrins.	1. Déplacez la commande des gaz dans la position rapide (FAST). 2. Changez à une vitesse plus lente. 3. Laissez sécher l'herbe avant de tondre. 4. Nivelez le carter de tondeuse. 5. Vérifiez la pression des pneus. 6. Remplacez la lame ou affilez-la. Serrez le boulon de lame. 7. Nettoyez dessous du boîtier de tondeuse. 8. Remplacez la courroie d'entraînement de tondeuse. 9. Réinstallez les lames avec le bord tranchant vers le bas. 10. Remplacez les lames avec les lames recommandées dans ce manuel. 11. Nettoyez les faces de mandrin pour ouvrir les trous d'évent.
Les phares n'allument pas (si muni)	1. L'interrupteur est dans la position d'arrêt (OFF). 2. Ampoule(s) ou lampe(s) grillées. 3. L'interrupteur des phares est défectueux. 4. Le câblage est lâche ou endommagé. 5. Fusible saute.	1. Mettez l'interrupteur dans la position marche (ON). 2. Remplacez l'ampoule(s) ou lampe(s). 3. Vérifiez/remplacez l'interrupteur des phares. 4. Vérifiez le câblage et les connexions. 5. Remplacez le fusible.
La batterie ne charge pas	1. Mauvais élément(s) de la batterie. 2. Mauvaises connexions du câble. 3. Régulateur défectueux (si muni d'un). 4. Alternateur défectueux.	1. Remplacez la batterie. 2. Vérifiez/remplacez toutes les connexions. 3. Remplacez le régulateur. 4. Remplacez l'alternateur.
Une perte d'entraînement	1. La commande de la roue libre est en position dégaïée. 2. Courroie d'entraînement de déplacement est usagée, endommagée, ou cassée. 3. Air emprisonné dans la transmission pendant le transport ou le réglage.	1. Mettez la commande de la roue libre en position engagée. 2. Remplacez la courroie d'entraînement de déplacement. 3. Purgez la transmission.
Pétarade au silencieux quand le moteur est coupé (OFF).	1. La commande des gaz de moteur n'est pas dans la position intermédiaire (entre rapide et lent) avant de couper le moteur.	1. Déplacez la commande des gaz dans la position intermédiaire (entre rapide et lent) avant de couper le moteur.

GUIDE DE DÉPANNAGE

PROBLÈME	CAUSE	CORRECTION
Le moteur refuse de démarrer	<ol style="list-style-type: none"> 1. Sans essence. 2. Le moteur n'est pas démarré à froid correctement. 3. Le moteur est noyé. 4. Mauvaise bougie d'allumage. 5. Batterie faible ou à plat. 6. Filtre à air sale. 7. Filtre d'essence sale. 8. Il y a de l'eau dans l'essence. 9. Le câblage est lâche ou endommagé. 10. Le carburateur demande un réglage. 11. Les soupapes de moteur demandent un réglage. 	<ol style="list-style-type: none"> 1. Référez-vous à la section "POUR DÉMARRER" dans la section fonctionnellement. 2. LE MOTEUR" dans la section fonctionnellement. 3. Attendez quelques minutes avant d'essayer de démarrer. 4. Remplacez la bougie d'allumage. 5. Rechargez ou remplacez la batterie. 6. Nettoyez/remplacez le filtre à air. 7. Remplacez le filtre d'essence. 8. Vidangez l'essence du réservoir et du carburateur, remplissez le réservoir d'essence avec de l'essence fraîche, et remplacez le filtre d'essence. 9. Vérifiez tout le câblage. 10. Voyez la section "Pour Régler le Carburateur" dans la section Entretien et Réglages. 11. Contactez un centre d'entretien autorisé.
Démarrage difficile	<ol style="list-style-type: none"> 1. Filtre à air sale. 2. Mauvaise bougie d'allumage. 3. Batterie faible ou à plat. 4. Filtre d'essence sale. 5. L'essence sale ou vieille. 6. Le câblage est lâche ou endommagé. 7. Le carburateur demande un réglage. 8. Les soupapes de moteur demandent un réglage. 	<ol style="list-style-type: none"> 1. Nettoyez/remplacez le filtre à air. 2. Remplacez la bougie d'allumage. 3. Rechargez ou remplacez la batterie. 4. Remplacez le filtre d'essence. 5. Vidangez l'essence du réservoir d'essence et remplissez avec de l'essence fraîche. 6. Vérifiez tout le câblage. 7. Vérifiez/remplacez le contacteur d'allumage. 8. Vérifiez/remplacez le solénoïde ou le démarreur. 9. Contactez un centre d'entretien autorisé.
Moteur ne tourne pas au ralenti	<ol style="list-style-type: none"> 1. La pédale de frein n'est pas baissée. 2. L'embrayage d'accessoire est à la position embrayée. 3. Batterie faible ou à plat. 4. Fusible sauté. 5. Les bornes de batterie sont corrodées. 6. Le câblage est lâche ou endommagé. 7. Le contacteur d'allumage est défectueux. 8. Le solénoïde ou le démarreur est défectueux. 9. L'interrupteur qui détecte la présence du conducteur est défectueux. 	<ol style="list-style-type: none"> 1. Appuyez sur la pédale de frein. 2. Débrayez l'embrayage d'accessoire. 3. Rechargez ou remplacez la batterie. 4. Remplacez le fusible. 5. Nettoyez les bornes de batterie. 6. Vérifiez tout le câblage. 7. Vérifiez/remplacez le contacteur d'allumage. 8. Vérifiez/remplacez le solénoïde ou le démarreur. 9. Contactez un centre d'entretien autorisé.
Il y a un décalé mais le moteur ne démarre pas	<ol style="list-style-type: none"> 1. Batterie faible ou à plat. 2. Les bornes de batterie sont corrodées. 3. Le câblage est lâche ou endommagé. 4. Le solénoïde ou le démarreur est défectueux. 	<ol style="list-style-type: none"> 1. Rechargez ou remplacez la batterie. 2. Nettoyez les bornes de batterie. 3. Vérifiez tout le câblage. 4. Vérifiez/remplacez le solénoïde ou le démarreur.
Le moteur manque de puissance	<ol style="list-style-type: none"> 1. Vous tondiez trop d'herbe/la vitesse de la tondeuse est trop rapide. 2. La commande des gaz est à la position étrangleur. 3. Il y a une accumulation d'herbe, de feuilles, et de débris sous la tondeuse. 4. Filtre à air sale. 5. Niveau d'huile bas/huile sale. 6. La bougie d'allumage est défectueuse. 7. Filtre d'essence sale. 8. L'essence sale ou vieille. 9. Il y a de l'eau dans l'essence. 10. Un fil lâche sur la bougie d'allumage. 11. Tamis d'air du moteur/allèges sont sales. 12. Silencieux sale ou encrassé. 13. Le câblage est lâche ou endommagé. 14. Le carburateur demande un réglage. 15. Les soupapes de moteur demandent un réglage. 	<ol style="list-style-type: none"> 1. Mettez en position de coupe plus haute ou réduisez la vitesse. 2. Réglez la commande des gaz. 3. Nettoyez dessous du boîtier de tondeuse. 4. Nettoyez/remplacez le filtre à air. 5. Vérifiez le niveau d'huile/changez l'huile. 6. Nettoyez, ajustez l'écartement ou remplacez la bougie d'allumage. 7. Remplacez le filtre d'essence. 8. Vidangez l'essence du réservoir d'essence et remplissez le réservoir avec de l'essence fraîche. 9. Vidangez l'essence du réservoir et du carburateur, remplissez le réservoir avec de l'essence fraîche, et remplacez le filtre d'essence. 10. Branchez et serrez le fil de bougie d'allumage. 11. Nettoyez le tamis d'air du moteur/allèges. 12. Nettoyez/remplacez le silencieux. 13. Vérifiez tout le câblage. 14. Voyez la section "Pour Régler le Carburateur" dans la section Entretien et Réglages. 15. Contactez un centre d'entretien autorisé.
Vibrations excessives de la tondeuse	<ol style="list-style-type: none"> 1. La lame est usée, tordue, ou lâche. 2. Un mandrin de lame est tordu. 3. Des pièces sont lâches ou endommagées. 	<ol style="list-style-type: none"> 1. Remplacez la lame. Serrez à fond le boulon de lame. 2. Remplacez le mandrin de lame. 3. Serrez les pièces lâches. Remplacez les pièces endommagées.

ENTREPOSAGE

MOTEUR

SYSTÈME D'ESSENCE

IMPORTANT: C'EST TRÈS IMPORTANT D'ÉVITER LA FORMATION DES DÉPÔTS DE GOMME DANS LE CARBURATEUR, LE FILTRE D'ESSENCE, LE TUYAU D'ESSENCE OU LE RÉSERVOIR D'ESSENCE PENDANT L'ENTREPOSAGE. L'EXPÉRIENCE DÉMONTRE QUE LES CARBURANTS QUI SONT MÉLANGÉS AVEC DE L'ALCOOL (ETHANOL OU MÉTHANOL ET PARFOIS APPELÉS GASOHOL) PEUVENT ATTIRER L'HUMIDITÉ QUI CAUSE LA SÉPARATION ET LA FORMATION D'ACIDE PENDANT L'ENTREPOSAGE. L'ESSENCE ACIDE PEUT AVARIER LE SYSTÈME DE CARBURANT DU MOTEUR PENDANT L'ENTREPOSAGE.

- Vidangez le réservoir d'essence en mettant en marche le moteur et le laissant courir jusqu'à ce que les conduites d'essence et le carburateur soient vides.
- N'utilisez jamais les produits spéciaux pour nettoyer le moteur et le carburateur dans le réservoir d'essence. L'emploi de ces produits pourrait causer des dégâts permanents.
- Utilisez de l'essence fraîche l'année suivante.

REMARQUE: Un stabilisateur d'essence est une option acceptable pour minimiser la formation des dépôts de gomme de carburant pendant l'entreposage. Ajoutez le stabilisateur à l'essence dans le réservoir d'essence ou dans le bidon de carburant. Suivez toujours le dosage de mélange inscrit sur le bidon de stabilisateur. Laissez tourner le moteur pendant au moins 10 minutes après avoir ajouté le stabilisateur pour lui permettre d'atteindre le carburateur. Ne vidangez pas le réservoir d'essence et le carburateur si le stabilisateur d'essence est utilisé.

HUILE DE MOTEUR

Vidangez l'huile (quand le moteur est chaud) et remplacez avec de l'huile de moteur fraîche. (Voir la section "MOTEUR" dans la section Entretien de ce manuel).

CYLINDRE(S)

- Enlevez la(s) bougie(s) d'allumage.
- Versez une once (29 ml) d'huile par l'orifice(s) de bougie d'allumage dans le(s) cylindre(s).
- Tournez la clé d'allumage à la position de démarrage (START) pendant quelques secondes pour répartir l'huile.
- Remplacez avec une nouvelle bougie d'allumage.

INFORMATION SUPPLÉMENTAIRE

- Ne conservez pas d'essence d'une saison à l'autre.
- Remplacez le bidon d'essence s'il commence à rouiller. La présence de rouille et/ou la saleté dans l'essence causera des problèmes.
- Entreposez le tracteur à l'intérieur, si possible, et couvrez-le pour le protéger de la poussière et de la saleté.
- Couvrez le tracteur avec une couverture perméable. N'utilisez pas une couverture en plastique. Le plastique obstrue la circulation d'air et permet la formation de condensation qui fera rouiller le tracteur.

IMPORTANT: NE COUVREZ JAMAIS LE TRACTEUR QUAND LE MOTEUR ET LES ENDRROITS D'ÉCHAUFFEMENT SONT ENCORE CHAUDS.

Préparez immédiatement votre tracteur pour d'entreposage à la fin de la saison ou si le tracteur ne sera pas utilisé pendant une période de 30 jours ou plus.



AVERTISSEMENT: N'entreposez jamais le tracteur dans un bâtiment lorsque le réservoir contient de l'essence ou les vapeurs pourraient parvenir à une flamme nue ou une étincelle. Permettez le moteur de refroidir avant de l'entrepozer dans une enceinte.

TRACTEUR

- Enlevez la tondeuse du tracteur quand vous l'entreposez pour l'hiver. Quand la tondeuse doit être entrepozée pendant une longue période de temps, nettoyez-la à fond, enlevez toutes la saleté, la graisse, les feuilles, etc. Entreposez le tracteur dans un endroit propre et sec.
- Nettoyez le tracteur entier (voir à la section de Nettoyage dans la section Entretien de ce manuel).
- Inspectez, et si nécessaire, remplacez les courroies (Réfêrez-vous aux instructions de remplacement de la courroie dans la section de Entretien et Réglages de ce manuel).
- Lubrifiez comme illustré dans la section Entretien de ce manuel.
- Assurez-vous que tous les écrous, les boulons, et les vis soient bien fixés. Vérifiez toutes les pièces mobiles pour l'avarie, le bris, et l'usure. Remplacez-les si nécessaire.
- Retouchez toutes les surfaces peintes si elles se sont rouillées ou éraflées; sablez légèrement au papier émeri avant de peindre.

BATTERIE

- Chargez complètement la batterie avant d'entrepozer.
- Il est parfois nécessaire de recharger la batterie après une longue période d'entreposage.
- Pour éviter la corrosion et les fuites de puissance pendant une longue période d'entreposage, les câbles de batterie devraient être débranchés et la batterie devrait être nettoyée à fond (réfêrez-vous à la section de "NETTOYER LA BATTERIE ET LES BORNES" dans la section Entretien de ce manuel).
- Les ou ils ne puissent pas entrer en contact avec les bornes de batterie.
- Si la batterie est enlevée du tracteur pour l'entreposage, ne mettez pas la batterie directement sur une surface bétonnée ou humide.

REVISION ET REGLAGES

REPLACER LA BATTERIE (Voir la Fig. 41)



AVERTISSEMENT: Ne court-circuitiez pas les bornes de batterie par permettre qu'une clé ou autres objets entrent en contact avec les deux bornes à la même fois. Avant d'installer la batterie, enlevez tous les bijoux, les bracelets de montre, les bagues métalliques, etc.

Au début la borne positive doit être branchée pour prévenir les étincelles d'une mise à la masse accidentelle.

- Levez le capot.
- Premièrement débranchez le câble de batterie NOIR et ensuite le câble de batterie ROUGE et enlevez la batterie du tracteur.
- Installez la nouvelle batterie avec les bornes dans la même place comme vieille batterie.
- Premièrement branchez le câble de batterie ROUGE à la borne positive (+) avec un boulon H et écrou à taquets comme monté. Serrez à fond. Glissez la couverture borne au-dessus de la borne
- Branchez le câble de masse de batterie NOIR à la borne négative (-) avec le boulon H et écrou à taquets qui restent. Serrez à fond.
- Fermez le capot.

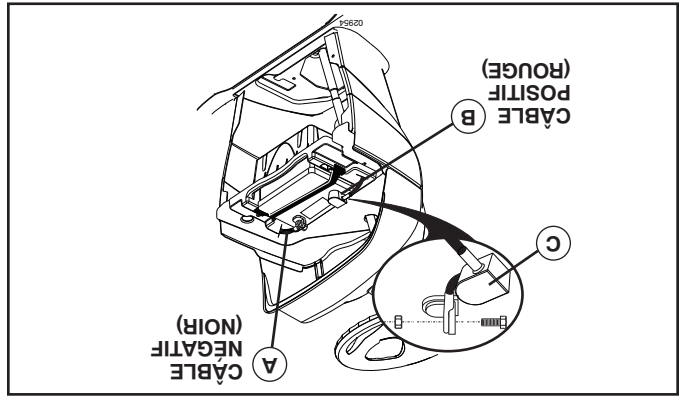


Fig. 41

POUR REMPLACER L'AMPOULE DES PHARES

- Soulevez le capot.
- Dégagez de la douille d'ampoule de l'orifice à l'arrière de la calandre.
- Réinstallez l'ampoule dans la douille et poussez à fond la douille d'ampoule dans l'orifice à l'arrière de la calandre.
- Fermez le capot.

VERROUS ET RELAIS

Un câblage desserré ou avarié peut être la cause du mauvais fonctionnement, de l'arrêt ou du non-démarrage du tracteur.

- Vérifiez le câblage.

POUR REMPLACER LE FUSIBLE

Remplacez par un fusible entichable de type automobile, de 20A. Le porte-fusible est situé directement derrière le tableau de bord.

POUR ENLEVER LE CAPOT ET LA CALANDRE (Voir la Fig. 42)

- Soulevez le capot.
- Débranchez le connecteur des câbles des phares.
- Placez-vous au devant le tracteur. Empoignez le capot et les panneaux latéraux, inclinez-le un peu vers le moteur et soulevez-le du tracteur.
- Pour le réinstaller, inversez les étapes ci-dessus.

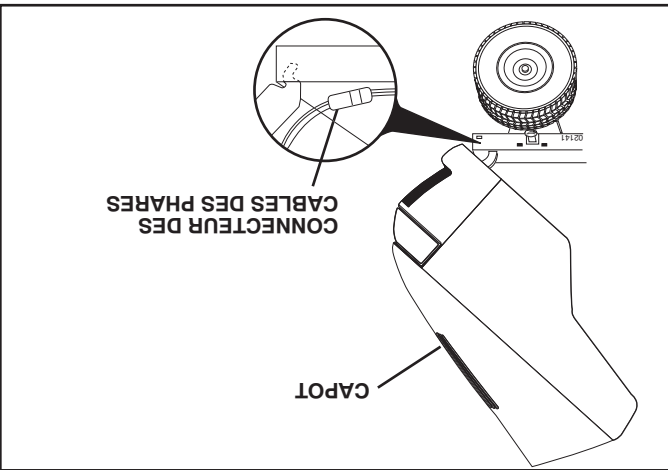


Fig. 42

TRANSMISSION

ENLEVEMENT/REPLACEMENT

Si votre transmission doit être retirée pour un entretien ou pour être remplacée, elle doit être purgée après avoir été réinstallée et avant de faire fonctionner le tracteur. Voir "PURGEZ LA TRANSMISSION" dans la section Utilisation de ce manuel.

MOTEUR

POUR RÉGLER LE CÂBLE DE LA COMMANDE DES GAZ

La commande des gaz a été pré-réglée à l'usine et un réglage ne devrait pas être nécessaire. Si un réglage est nécessaire, voir le manuel du moteur.

POUR RÉGLER LA COMMANDE DU STARTER

La commande du starter a été pré-réglée à l'usine et un réglage ne devrait pas être nécessaire. Si un réglage est nécessaire, voir le manuel du moteur.

POUR RÉGLER LE CARBURATEUR

Votre carburateur n'est pas réglable. Si votre moteur ne fonctionne pas correctement à cause des problèmes avec le carburateur, veuillez apporter la tondeuse à gazon au centre d'entretien autorisé le plus proche pour faire la réparation et/ou le réglage.

REGLAGE DU LEVIER DE CONTRÔLE DU DE LA BOÎTE DE VITESSES (Voir la Fig. 39)

- Le levier de contrôle de la boîte de vitesses est réglé au moment de la fabrication et n'a donc pas besoin d'autres réglages.
- Desserrez légèrement le boulon de réglage sur la partie avant de la arrière;
- Faites démarer le moteur et déplacez le levier du mouvement de la boîte de vitesses mécanique jusqu'à ce que le tracteur n'avance mine recule;
- Gardez le levier de contrôle de la boîte de vitesses dans cette position et étendez le moteur;
- Gardez le levier dans la position ci-dessus, desserrez le boulon de réglage;
- Déplacez le levier de contrôle au point mort (vanne de fer-meture),
- Vissez à fond le boulon de réglage.

- REMARQUE:** S'il faut plus d'espace pour atteindre le boulon de réglage, réglez la hauteur de la tondure à la position la plus basse. Si le tracteur continue à glisser progressivement vers l'avant ou vers l'arrière après ce réglage et avec le levier au point mort, effectuez les opérations ci-dessus:
- Desserrez le boulon de réglage
 - Déplacez le levier de contrôle du mouvement de 1/4 ou 1/2 pouce dans la direction du glissement;
 - Vissez à fond le boulon de réglage,
 - Faites et faites un essai démarrer le moteur.
 - Si le tracteur continue à glisser, répétez les opérations ci-dessus jusqu'à ce que vous obteniez les résultats désirés.

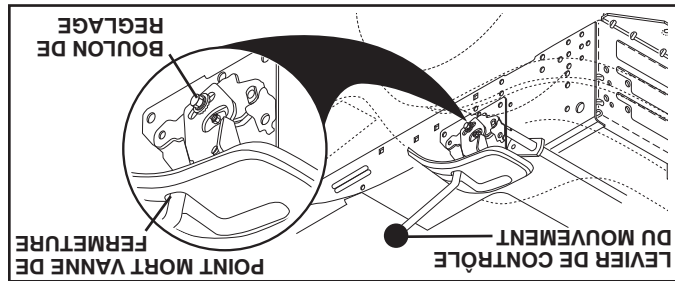


Fig. 39

POUR VÉRIFIER LES FREINS


- À vitesse normale et sur une surface en ciment ou pavée, si plus de 5 pieds (1,5 mètre) sont nécessaires pour arrêter le tracteur, vous devez faire vérifier les freins.
- Vous pouvez également vérifier les freins ainsi :
- Stationnez le tracteur sur une surface de niveau en ciment ou pavée, abaissez complètement la pédale de frein/embrayage et actionnez le frein de stationnement.
 - Désenclenchez la transmission en plaçant le contrôle de roue libre à la position « transmission désengagé » (transmission désenclenchée). Tirez sur le contrôle de roue libre et placez-le dans la rainure et relâchez-le de façon à ce qu'il soit dans la position désenclenchée.
- Les roues arrière doivent être bloquées et déraper lorsque vous tentez de pousser le tracteur vers l'avant. Si les roues arrière tournent, les freins doivent être vérifiés. Communiquez avec un centre d'entretien professionnel.

PINCEMENT/CARROSSAGE DE LA ROUE AVANT

Le pincement et le carrossage de la roue avant sont déterminés lors de la fabrication de votre tracteur et sont normaux. Ces caractéristiques ne peuvent être ajustées. Si votre tracteur a subi des dommages ayant affecté le pincement/carrossage de la roue avant, communiquez avec d'entretien professionnel.

POUR DÉMARRER LE MOTEUR AVEC UNE BATTERIE FAIBLE (Voir la Fig. 40)

AVERTISSEMENT: Les batteries au plomb et à l'acide produisent des gaz explosifs. Gardez les étincelles, les flammes, les cigarettes, etc. loin des batteries. Portez toujours des lunettes protectrices lorsque vous êtes près d'une batterie.



- Si votre batterie est trop faible pour démarrer le moteur, elle devrait être rechargée. (Voir "BATTERIE" dans la section Entretien de ce manuel).
- Si vous utilisez des "câbles de survoltage" pour un démarrage d'urgence, voici le procédé à suivre:
- IMPORTANT:** VOTRE TRACTEUR EST MUNI D'UN SYSTÈME DE 12 VOLTS. L'AUTRE VÉHICULE DOIT AUSSI AVOIR UN SYSTÈME DE 12 VOLTS. N'UTILISEZ PAS LA BATTERIE DU TRACTEUR POUR DÉMARRER LES AUTRES VÉHICULES.
- POUR ATTACHER LES CÂBLES DE DÉMARRAGE -**
- Branchez chaque extrémité du câble ROUGE à la borne (A-B) POSITIVE (+) de chaque batterie (en faisant bien attention de ne pas court-circuiter contre le châssis).
 - Branchez une extrémité du câble NOIR à la borne (C) NÉGATIVE (-) de la batterie complètement chargée.
 - Branchez l'autre extrémité du câble NOIR (D) au châssis mis à la masse. Maintenez les câbles loin du réservoir d'essence et de la batterie.

- PROCÉDURES -**
- Débranchez d'abord le câble NOIR du châssis et ensuite de la batterie chargée complètement.
 - Débranchez ensuite le câble ROUGE des deux batteries.

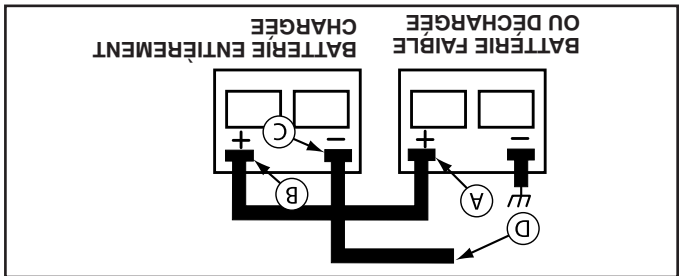


Fig. 40

REVISION ET REGLAGES

POUR REMPLACER LA COURROIE D'ENTRAÎNEMENT (voir la Fig. 37)

Stationnez le tracteur sur une surface de niveau. Actionnez le frein de stationnement. En cas de besoin, un autocollant servant de guide à l'installation de la courroie se trouve sur le dessous du repose-pied gauche.

RETIRER LA COURROIE

1. Retirez la tondeuse (voir « POUR ENLEVER LA TONDEUSE » dans la présente section du manuel).
- REMARQUE :** jetez un œil sur l'ensemble de la courroie et la position de tous les guides et dispositifs de retenue.

2. Débranchez le faisceau de câbles de l'embrayage (A).
3. Retirez la bielle anti rotation (B) à la droite du tracteur.
4. Retirez la courroie de la poulie de tension fixe (C) et la poulie d'embrayage (D).
5. Retirez la courroie de la poulie de tension centrale (E).
6. Tirez la courroie libre vers l'arrière du tracteur. Retirez soigneusement la courroie de la poulie d'entrée de la transmission vers le haut et sur les lames du ventilateur (F).
7. Déroulez la courroie de la poulie motrice vers le bas et autour de l'arbre de la pédale de frein/d'embrayage (J).
8. Faites glisser la courroie vers l'arrière du tracteur, à l'extérieur de la plaque de direction (H) et retirez-la du tracteur.

INSTALLATION DE LA COURROIE

1. Installez une nouvelle courroie en partant de l'arrière du tracteur vers l'avant, sur la plaque de direction (H) et au-dessus de l'arbre de la pédale de frein/d'embrayage (J).
2. Tirez la courroie vers l'avant du tracteur et enroulez-la autour de l'embrayage électrique et de la poulie motrice (G).
3. Tirez la courroie vers l'arrière du tracteur. Enroulez soigneusement la courroie sous le ventilateur de la transmission et sur la poulie d'entrée (F). Assurez-vous que la courroie est bien à l'intérieur du dispositif de retenue.
4. Installez la courroie sur la poulie de tension centrale (E).
5. Faites passer la courroie dans la poulie de tension fixe (C) et la poulie d'embrayage (D).
6. Installez de nouveau la bielle anti rotation (B) à la droite du tracteur. Serrez fermement.
7. Branchez de nouveau le faisceau de câbles de l'embrayage (A). Assurez-vous que la courroie est bien en place dans les rainures des poulies, ainsi que les guides et les dispositifs de retenue.
8. Installez la tondeuse (voir « POUR INSTALLER LA TONDEUSE » dans la présente section du manuel).

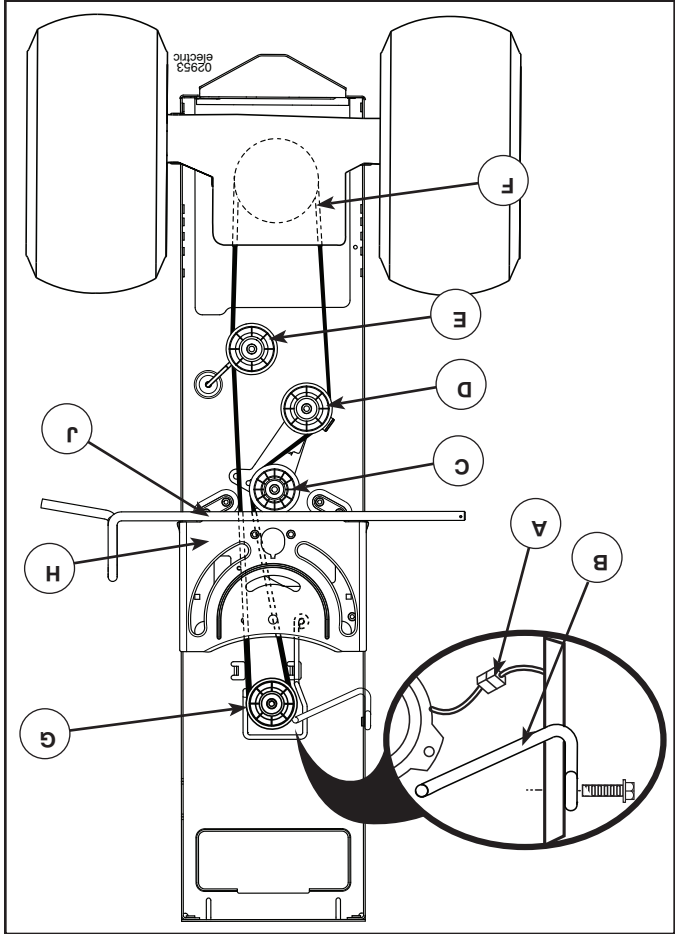


Fig. 37

POUR ENLEVER LES ROUES (voir la Fig. 38)

- Fixes solidement des cales sous l'essieu.
- Enlevez le couvre-essieu, la bague de retenue et les rondelles pour permettre l'enlèvement de la roue (la roue arrière contient une clé carrée - ne la perdez pas).
- Réparez le pneu et rassemblez-le.
- Sur les roues arrière seulement: alignez les rainures dans le moyeu de roue arrière et l'essieu. Insérez la clé carrée.
- Réinstallez les rondelles et insérez à fond la bague de retenue dans la rainure d'essieu.
- Réinstallez le couvre-essieu.

REMARQUE: Pour boucher les crevaisons de pneus et pour prévenir les pneus à plat à cause des fuites, vous pouvez acheter un obturateur pour pneu chez votre détaillant de pièces. Ect obturateur prévient aussi l'assèchement et la corrosion du pneu.

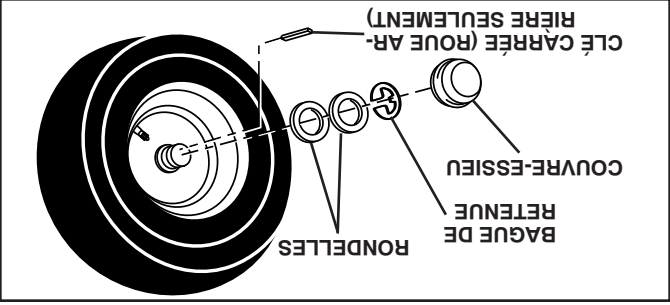


Fig. 38

REVISION ET REGLAGES

POUR AJUSTER LE NIVEAU LA TONDEUSE

Assurez-vous que les pneus soient gonflés jusqu'à la pression en PSI indiquée sur ceux-ci. S'ils sont trop ou pas assez gonflés, ceci peut affecter l'apparence de votre pelouse et vous faire croire que votre tondeuse n'est pas ajustée correctement.

AJUSTEMENT LATÉRAL VISUEL (Voir la Fig. 33)

- Assurez-vous que vos pneus soient gonflés adéquatement. Déterminez quel côté de la tondeuse coupe plus bas.
- REMARQUE :** Vous pouvez soulever le côté abaissé de la tondeuse ou abaisser le côté surélevé, tel que désiré.
- Allez du côté où un ajustement est nécessaire.
- À l'aide d'une clé ajustable ou de 3/4", tournez l'écrou de réglage de la bielle de levage (A) vers la gauche pour abaisser la tondeuse, ou vers la droite pour la soulever.

- Soulevez la tondeuse à sa position la plus haute.
- Placez n'importe quelle lame de façon à ce que la pointe soit vers l'avant. Mesurez la distance (B) au sol à la pointe avant et la pointe arrière de la lame.
- Si la pointe avant de la lame n'est pas de 1/8" à 1/2" plus basse que la pointe arrière, allez à l'avant du tracteur.
- À l'aide d'une clé ajustable ou de 1 1/6", dévissez l'écrou de serrage (A) pour dépasser l'écrou de réglage (B).
- À l'aide d'une clé ajustable ou de 3/4", faites tourner l'écrou de réglage de la bielle avant (B) dans le sens horaire (vis-ser) pour soulever l'avant de la tondeuse ou dans le sens antihoraire (dévisser) pour abaisser l'avant de la tondeuse.

- Vérifiez l'ajustement en tondant de la pelouse non coupée et en vérifiant son apparence. Faites un autre ajustement si nécessaire, jusqu'à ce que vous soyez satisfait du résultat.
- Assurez-vous que vos pneus sont adéquatement gonflés, puis stationnez le tracteur sur un terrain de niveau ou une entrée de cour.

ATTENTION : Les lames sont tranchantes. Protégez vos mains en portant des gants ou en enveloppant les lames d'un tissu épais.

REMARQUE : Chaque tour complet de l'écrou de réglage modifie la hauteur de la tondeuse d'environ 3/16".

• Vérifiez de nouveau les mesures, ajustez si nécessaires jusqu'à ce que les deux côtés soient égaux.

AJUSTEMENT LATÉRAL DE PRÉCISION (Voir la Fig. 34)

ATTENTION : Les lames sont tranchantes. Protégez vos mains en portant des gants ou en enveloppant les lames d'un tissu épais.

- Soulevez la tondeuse à sa position la plus haute.
- D'un côté et de l'autre de la tondeuse, placez la lame de côté et mesurez la distance (A) du bord inférieur de la lame jusqu'au sol. La distance devrait être la même des deux côtés.
- Si un ajustement est nécessaire, voyez les étapes des instructions. Ajustement visuel ci-dessus.
- Vérifiez de nouveau les mesures, ajustez si nécessaires jusqu'à ce que les deux côtés soient égaux.

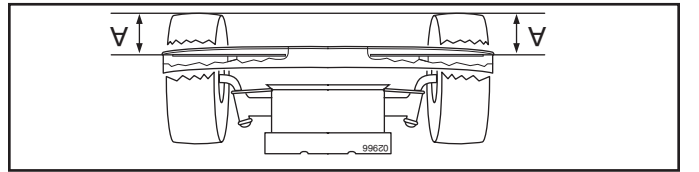


Fig. 34

IMPORTANT : La plateforme doit être au même niveau d'un côté et de l'autre.

Pour obtenir de meilleurs résultats, les lames de la tondeuse doivent être ajustées de sorte que la pointe avant est 1/8" à 1/2" inférieure à la pointe arrière lorsque la tondeuse est à sa position la plus élevée.

ATTENTION : Les lames sont tranchantes. Protégez vos mains en portant des gants ou en enveloppant les lames d'un tissu épais.

- Soulevez la tondeuse à sa position la plus haute.
- Placez n'importe quelle lame de façon à ce que la pointe soit vers l'avant. Mesurez la distance (B) au sol à la pointe avant et la pointe arrière de la lame.
- Si la pointe avant de la lame n'est pas de 1/8" à 1/2" plus basse que la pointe arrière, allez à l'avant du tracteur.
- À l'aide d'une clé ajustable ou de 1 1/6", dévissez l'écrou de serrage (A) pour dépasser l'écrou de réglage (B).
- À l'aide d'une clé ajustable ou de 3/4", faites tourner l'écrou de réglage de la bielle avant (B) dans le sens horaire (vis-ser) pour soulever l'avant de la tondeuse ou dans le sens antihoraire (dévisser) pour abaisser l'avant de la tondeuse.

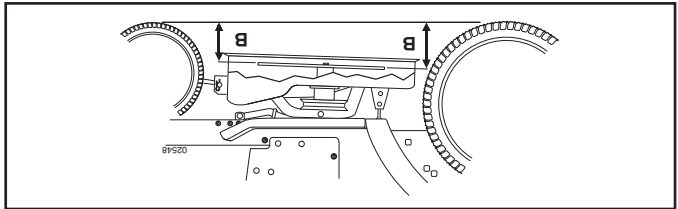


Fig. 35

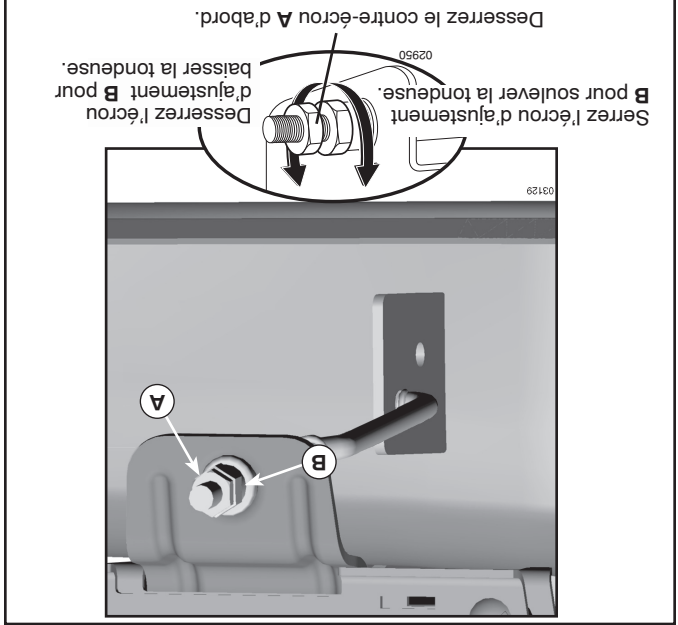


Fig. 36

REMARQUE : Chaque tour complet de l'écrou de réglage modifie la hauteur de la tondeuse d'environ 1/8".

- Vérifiez de nouveau les mesures, ajustez si nécessaires jusqu'à ce que la pointe avant de la lame est 1/8" à 1/2" inférieure à la pointe arrière.
- Maintenez l'écrou de réglage en place avec la clé et serrez le contre-écrou fermement contre l'écrou de réglage.

REVISION ET REGLAGES

AVERTISSEMENT: POUR EVITER DES DOMMAGES SERIEUX, AVANT DE FAIRE TOUTES LES REVISIONS OU REGLAGES.



- Appuyez sur la pédale de frein et engagez le frein de stationnement.
- Placez l'embrayage d'accessoire en position débrayée (DISENGAGED).
- Tournez la clé de contact à la position d'arrêt (STOP) et enlevez-la.
- Assurez-vous que les lames et toutes les pièces tournantes se soient arrêtées.
- Débranchez le câble de bougie d'allumage et posez-le de telle façon qu'il ne puisse pas entrer en contact avec la bougie d'allumage.

POUR EN LEVER LA TONDEUSE

(Voir la Fig. 31)

- Placez l'embrayage à la position débrayée.
- Abaissez le levier le levage à sa position la plus basse.
- Dégagez la tige de tension de la courroie (K) de la manette de verrouillage (L).

ATTENTION: La tige de tension de la courroie possède un mécanisme à ressort. Tenez fermement la tige et relâchez-la lentement.



- Retirez la courroie de la tondeuse de la poulie de l'embrayage électrique (M).
- Enlevez la biellette avant (E) de la tondeuse – retirez le ressort-arrêt et la rondelle.
- En commençant d'un côté ou de l'autre de la tondeuse, désengagez le bras de suspension (A) de la tondeuse du châssis et la biellette de levage arrière (C) du support arrière de la tondeuse (D) – retirez les ressorts-arrêts et les rondelles.
- Allez de l'autre côté de la tondeuse et désengagez le bras de suspension et la biellette arrière.

ATTENTION: Après avoir désengagé les biellettes, le levier d'accrochage possède un mécanisme à ressort. Tenez fermement le levier lorsque vous changez sa position.



- À la droite de la tondeuse, désengagez la barre anti-roulis (S) du support arrière droit de la tondeuse (D) – retirez le ressort-arrêt et la rondelle puis tirez vers vous jusqu'à ce que la barre tombe de l'orifice du support.
- Tournez le volant du tracteur aussi loin que possible vers la gauche.
- Glissez la tondeuse du dessous du tracteur.

POUR INSTALLER LA TONDEUSE

Suivez le procédé décrit dans la section "INSTALLER LA TONDEUSE" dans la section Montage de ce manuel.

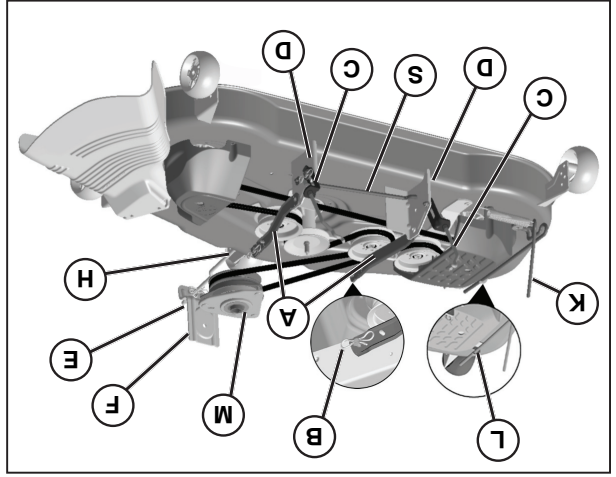


Fig. 31

21

POUR REMPLACER LA COURROIE DE LA LAME DE LA TONDEUSE (Voir la Fig. 32)

- Stationnez le tracteur sur une surface de niveau. Actionnez le frein de stationnement.
- Abaissez le levier le levage à sa position la plus basse.
- Dégagez la tige de tension de la courroie (K) de la manette de verrouillage (L).

ATTENTION: La tige de tension de la courroie possède un mécanisme à ressort. Tenez fermement la tige et relâchez-la lentement.



- Retirez les vis (P) des couvercles des mandrins gauche et droit, puis retirez (Q) les couvercles.
- Retirez la terre et l'herbe pouvant s'être accumulée autour des mandrins et sur la surface des plateaux supérieurs.
- Retirez la courroie de la poulie de l'embrayage électrique (M), les deux poulies des mandrins (R) et toutes les poulies de tension (V).

- Installez la courroie autour des poulies des mandrins (R) et instaurer des poulies de tension (V) tel que montré.
- Installez la courroie sur la poulie de l'embrayage électrique (M).

- Replacés les couvercles des mandrins gauche et droit (Q).
- Vissez fermement toutes les vis.
- Enclenchez la tige de tension de la courroie (K) de la manette de verrouillage (L).

ATTENTION: La tige de tension de la courroie possède un mécanisme à ressort. Tenez fermement la tige et enclenchez-la lentement.



- Soulevez le levier de levage à sa position la plus haute.

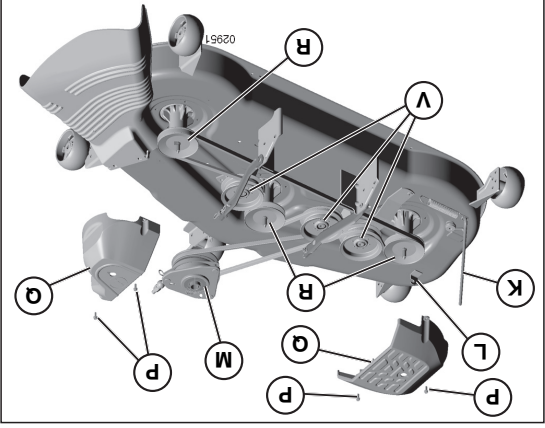


Fig. 32

RACCORD DE LAVAGE DU PLATEAU DE COUPE (Voir la Fig. 30)

Le plateau de coupe de votre tracteur est équipé à la surface d'un raccord de lavage qui fait partie du système de lavage du plateau de coupe. Il convient de l'utiliser après chaque emploi.

1. Conduisez le tracteur vers un endroit plat et dégagé de votre pelouse, suffisamment près pour atteindre le robinet d'eau destiné au tuyau d'arrosage de votre jardin.

IMPORTANT: Assurez-vous que la goulotte d'évacuation du tracteur N'EST PAS DIRIGÉE vers la maison, le garage, les voitures en stationnement etc. Retirez la goulotte du ramasse-herbe ou le couvre-paillis éventuellement fixés.

2. Assurez-vous que la PDF (Embrayage de lame) n'est pas engagée, serrez le frein de stationnement et coupez le moteur.

3. Vissez l'adaptateur de la buse de lavage (emballé avec le manuel d'utilisation de votre tracteur) sur l'extrémité de votre tuyau d'arrosage.

4. Tirez sur la collerette de blocage de l'adaptateur de la buse de lavage puis poussez l'adaptateur sur le raccord de lavage du plateau de coupe situé à l'extrémité gauche du plateau de coupe de la tondeuse. Relâchez la collerette de blocage pour bloquer l'adaptateur sur la buse de lavage. (Voir la Fig. 26)

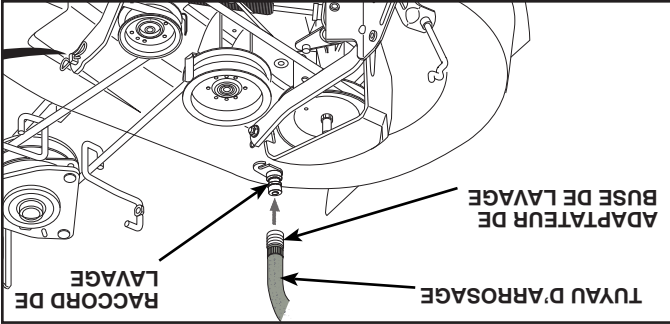


Fig. 30

IMPORTANT: Tirer le tuyau d'arrosage pour vous assurer que le raccordement est sécurisé.

5. Ouvrez le robinet d'eau.

6. Prenez place sur le siège du tracteur, relancez le moteur et mettez le levier d'accélération en position rapide ("Fast").

IMPORTANT: Assurez-vous encore une fois que la zone est dégagée.

7. Mettez la PDF du tracteur (Embrayage de la lame) est en position de marche (ON). Ne quittez pas le siège de l'opérateur pendant l'embrayage du plateau de coupe jusqu'à ce que le plateau soit nettoyé.

8. Mettez la PDF du tracteur (Embrayage de la lame) est en position d'arrêt (OFF). Mettez la clé de contact en position STOP pour couper le moteur. Fermez le robinet d'eau. Tirez sur la collerette de blocage de l'adaptateur de la buse pour dégager l'adaptateur du raccord de lavage de la buse de lavage.

9. Conduisez le tracteur vers un endroit sec, de préférence bétonné ou pavé. Engagez la PDF du plateau de la tondeuse pour éliminer l'excès d'eau et permettre au tracteur de sécher avant de le remettre.

ATTENTION ! Un raccord de lavage défectueux ou manquant peut vous exposer vous ou d'autres personnes à la projection d'objets venus au contact de la lame.

- Remplacez immédiatement le raccord de lavage cassé ou manquant avant de réutiliser la tondeuse.
- Obstruez tous les trous de la tondeuse avec des boulons et écrous d'arrêt.

SYSTÈME DE VENTILATION (Voir la Fig. 28)

Les débris peuvent obstruer le système de ventilation de moteur. Enlevez le logement de ventilateur et nettoyez le secteur pour empêcher le surchauffage ou dommages au moteur.

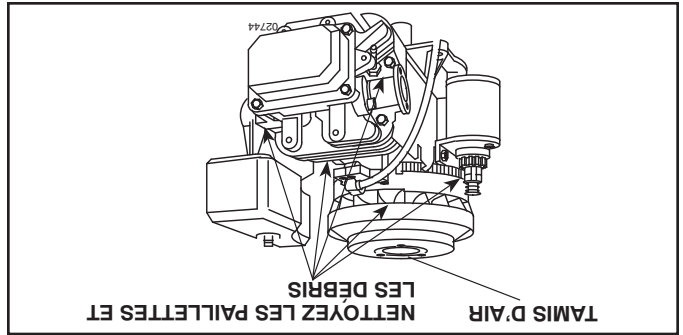


Fig. 28

SILENCIEUX

Inspectez le silencieux et le pare-étincelles (s'il y a lieu) et remplacez-les. Ils pourraient créer des risques d'incendie et/ou d'endommagement.

BOUGIE D'ALLUMAGE

Remplacez les bougies d'allumage au début de chaque saison de tonte ou après toutes les 100 heures d'utilisation selon qui se présente en premier. Pour le type de bougie d'allumage et le réglage d'écartement, référez-vous à la section de "SPECIFICATIONS DU PRODUIT" de ce manuel.

FILTRE D'ESSENCE INSTALLÉ EN LIGNE

Le filtre d'essence devrait être remplacé au moins chaque saison. Si le filtre d'essence est bouché et obstrue l'écoulement d'essence au carburateur, il faut le remplacer.

- Quand le moteur est froid, enlevez le filtre et bouchez les tronçons de conduite d'essence.
- Posez le nouveau filtre dans la conduite d'essence avec la flèche pointant vers le carburateur.
- Assurez-vous qu'il n'y ait pas de fuites de la conduite d'essence et que les brides de serrage soient bien placées.
- Nettoyez immédiatement l'essence renversée.

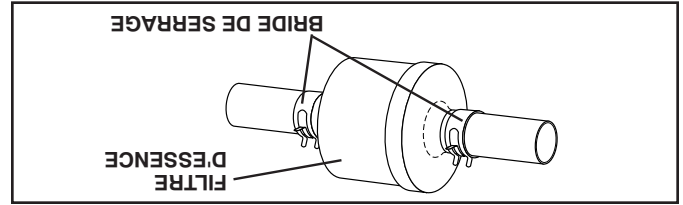


Fig. 29

NETTOYAGE

- Nettoyez le moteur, la batterie, le siège, et la finition, etc. de toutes les matières étrangères.
- Conservez la propreté de la finition et des roues en enlevant soigneusement l'essence, l'huile etc.
- Protégez les surfaces peintes avec une cire d'auto.

Nous ne recommandons pas l'utilisation d'un tuyau d'arrosage ou d'un système de lavage sous pression pour nettoyer votre tracteur, à moins que le moteur et la transmission soient recouverts pour éviter l'infiltration de l'eau à l'intérieur. Si de l'eau s'infiltrait à l'intérieur du moteur ou de la transmission, ceci abîmerait la durée de vie de votre tracteur. Utilisez de l'air comprimé ou une souffleuse à feuilles pour enlever le gazon, les feuilles ainsi que les débris de votre tracteur et de votre tondeuse.

POUR CHANGER L'HUILE DE MOTEUR

(Voir les Figs. 26 et 27)

- Déterminez la gamme de températures prévue avant le changement d'huile. Toute l'huile doit avoir la classification API SG-SL.
- Assurez-vous que le tracteur soit stationné sur un terrain plat.
- L'huile se vidangera plus librement quand elle est chaude.
- Recueillez l'huile dans un récipient approprié.
- Enlevez le bouchon de remplissage d'huile avec la jauge d'huile. Ne permettez pas que des saletés entrent dans le moteur quand vous changez l'huile.
- Enlevez le bouchon jaune du raccord inférieur de la soupape.

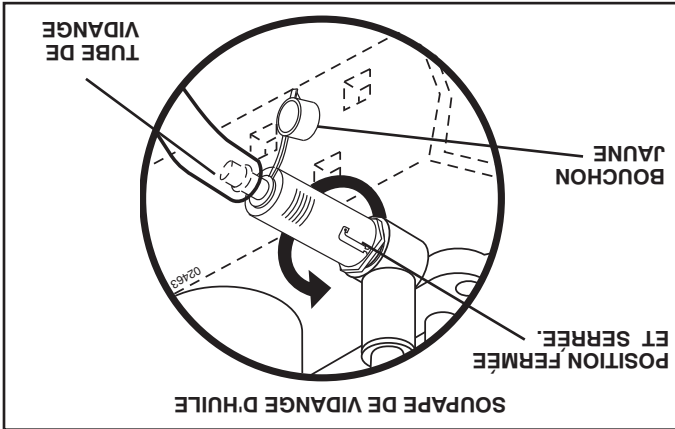


Fig. 27

- de vidange et installez le tube de vidange sur le raccord fileté.
- Déverrouillez la soupape de vidange en poussant vers l'intérieur et en tournant dans le sens contraire des aiguilles d'une montre.
- Pour ouvrir, tirez sur la soupape de vidange.
- Après que l'huile se soit écoulée complètement, serrez et verrouillez la soupape de vidange en poussant vers l'intérieur et en tournant dans le sens des aiguilles d'une montre.
- Retirez le tube de vidange et remettez le bouchon sur le raccord inférieur de la soupape de vidange.
- Remplissez le moteur avec l'huile dans le tube de la jauge de remplissage d'huile. Versez lentement. N'en mettez pas trop. Voir la section de "SPECIFICATIONS DU PRODUIT" pour la capacité approximative.
- Utilisez le calibre du bouchon de remplissage d'huile avec la jauge d'huile pour vérifier le niveau d'huile. Assurez-vous que la jauge d'huile soit serrée à fond pour obtenir une indication correcte du niveau d'huile. Maintenez le niveau d'huile à la marque pleine (FULL) de la jauge d'huile. Serrez à fond le bouchon sur le tube quand vous avez fini.

FILTRE D'HUILE DE MOTEUR

Remplacez le filtre d'huile de moteur chaque saison ou tous les deux (2) changements d'huile si le tracteur a été utilisé plus de 100 heures dans une (1) année.

NETTOYER LE TAMIS D'AIR

Le tamis d'air doit être libre de saleté et de balle de céréale pour éviter d'endommager le moteur à cause du surchauffage. Nettoyez-le avec une brosse en fer ou de l'air comprimé pour enlever toutes les saletés, la paille, et les fibres de gomme sèches.

FILTRE À AIR

Votre moteur ne fonctionne pas correctement avec un filtre à air sale. Nettoyez le filtre à air plus souvent si utilisé dans les endroits très poussiéreux ou sales. Voir le manuel du moteur.

- Rincez la batterie avec l'eau fraîche, et séchez-la.
- Nettoyez les bornes et les bouts des câbles de batterie avec une brosse métallique jusqu'à ce qu'ils brillent.
- Enduisez les bornes avec la graisse ou le pétrolatum.
- Réinstallez la batterie (Voir "REPLACER LA BATTERIE" dans la section ENTRETIEN ET REGLAGES de ce manuel).

COURROIES TRAPÉZOÏDALES

Vérifiez les courroies trapézoïdales pour la détérioration et l'usure après les 100 heures d'utilisation. Remplacez-les si nécessaire. Les courroies ne sont pas réglables. Remplacez les courroies si elles glissent à cause de l'usure.

REFROIDISSEMENT DE LA TRANSMISSION

Le ventilateur et les ailettes de refroidissement de la transmission devraient être conservés propres pour assurer le refroidissement correct. N'essayez pas de nettoyer le ventilateur ou la transmission pendant que le moteur fonctionne ou pendant que la transmission soit chaude.

- Inspectez le ventilateur de refroidissement pour s'assurer que les lames de ventilateur soient propres et intactes.
- Inspectez les ailettes de refroidissement pour la saleté, l'herbe coupée et les autres matériaux. Pour empêcher de l'avarie aux joints d'étanchéité, n'utilisez pas l'air comprimé ou le pulvérisateur à haute pression pour nettoyer les ailettes de refroidissement.

FLUIDE MOTEUR DE LA TRANSMISSION

La transmission a été scellée à l'usine et l'entretien de fluide n'est pas exigé pour la durabilité de la transmission. Si la transmission fuit ou doit être réparée, contactez votre centre d'entretien autorisé le plus proche.

MOTEUR

LUBRIFICATION

Utilisez seulement l'huile détergente de qualité supérieure de classification API SG-SL. Choisissez le degré de viscosité SAE de l'huile selon la température d'utilisation prévue.

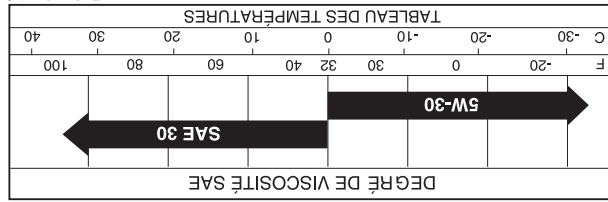


Fig. 26

REMARQUE: Bien que les huiles de multiviscosité (5W/30, 10W/30 etc.) améliorent le démarrage par temps froid, ces huiles de multiviscosité augmentent la consommation d'huile quand elles sont utilisées à plus de 0°C/32°F. Vérifiez le niveau d'huile de moteur plus fréquemment pour éviter d'endommager le moteur de l'utilisation avec un niveau d'huile bas.

Changez l'huile toutes les 50 heures d'opération ou au moins une fois par an si le tracteur est utilisé moins de 50 heures par ans. Vérifiez le niveau d'huile du carter-moteur avant de démarrer le moteur et toutes les huit (8) heures d'utilisation. Serrez le bouchon de remplissage d'huile avec la jauge d'huile chaque fois que vous vérifiez le niveau d'huile.

TRACTEUR

Observez toujours les règles de sécurité quand vous faites l'entretien.

FONCTIONNEMENT DU FREIN

À vitesse normale et sur une surface de niveau en ciment ou pavée, si plus de 5 pieds (1,5 mètre) sont nécessaires pour arrêter le tracteur, vous devez faire vérifier les freins. (Voir "POUR VÉRIFIER LES FREINS" dans la section Entretien et Réglages de ce manuel.)

PNEUS

- Assurez-vous de conserver une pression d'air adéquate à l'intérieur des pneus (voir la valeur en PSI indiquée sur ceux-ci).
- Assurez-vous que vos pneus ne soient pas en contact avec de l'essence, de l'huile ou des produits chimiques insecticides qui pourraient endommager le caoutchouc.
- Évitez les souches, les pierres, les orniers profonds, les objets tranchants et les autres dangers qui pourraient causer des dégâts aux pneus.
- REMARQUE:** Pour boucher les crevaisons de pneus et pour prévenir les pneus à plat à cause de fuites, un enduit d'étanchéité de pneu peut être acheté chez votre fournisseur de pièces. L'enduit empêche le pneu de pourrir ou de se corroder.

SYSTÈME DE PRÉSENCE DE L'OPÉRATEUR ET SYSTÈME DE FONCTIONNEMENT EN MARCHÉ ARRIÈRE (ROS) (Voir la Fig. 24)

Vérifiez si les systèmes de présence de l'opérateur, de marche arrière et de verrouillage fonctionnent correctement. Si votre tracteur ne fonctionne pas de la façon décrite, réparez-le immédiatement.

- Le moteur ne démarre pas sauf si la pédale d'embrayage/frein est appuyée à fond est la commande de l'embrayage de l'accessoire est déglagée.
- VÉRIFIEZ PRÉSENCE DE L'OPÉRATEUR**
 - Si l'opérateur quitte le poste de conduite, lorsque le moteur est en marche, sans tirer le frein de parking, le moteur s'arrête.
 - Si l'opérateur quitte le poste de conduite, lorsque l'embrayage est engagé et le moteur en marche, le moteur s'arrête.
 - Si l'opérateur quitte le poste de conduite, lorsque l'embrayage est engagé et le moteur en marche, le moteur s'arrête.
 - L'embrayage de l'accessoire ne doit jamais fonctionner sauf si l'opérateur est au volant.

VÉRIFIEZ SYSTÈME DE FONCTIONNEMENT EN MARCHÉ ARRIÈRE (ROS)

- Si l'opérateur tente de reculer, lorsque le moteur est en marche avec le commutateur d'allumage sur ON est l'embrayage engagé, le moteur s'arrête.
- Si l'opérateur tente de reculer, lorsque le moteur est en marche avec le commutateur d'allumage sur ON est l'embrayage engagé, le moteur ne s'arrête PAS.

POSITION DE MOTEUR ON (OPÉRATION NORMALE)



Fig. 24



ROS SUR ON

ENTRETIEN DES LAMES

Pour de meilleurs résultats, les lames de la tondeuse doivent être bien affûtées. Remplacez les lames usées, déformées ou endommagées.



DANGER: N'utilisez que les lames de rechange autorisées par le fabricant de votre tondeuse. L'usage d'une lame n'ayant pas été autorisée par le fabricant de votre tondeuse est dangereux et risque d'endommager votre tondeuse et d'annuler sa garantie.

ENLEVER LA LAME (Voir la Fig. 25)

- Retirez la tondeuse le plus haut possible pour avoir aux lames.
- REMARQUE:** Protégez vos mains avec des gants et/ou enveloppez la lame dans un linge épais.

- Enlevez le boulon de lame en le tournant dans le sens contraire des aiguilles d'une montre.
- Installez la nouvelle lame ou la lame affilée avec l'embouti "GRASS SIDE" faisant face à la terre.

- Installez et serrez le boulon de lame solidement (couple de torsion 45-55 pieds par livre).
- IMPORTANT:** Le boulon spécial de lame est soumis à un traitement à la chaleur.

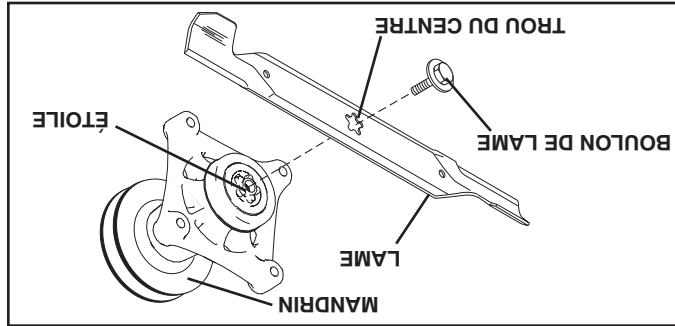


Fig. 25

BATTERIE

Votre tracteur est muni d'un système de chargement de batterie qui est suffisant pour l'usage normal. Pourtant, le chargement périodique de la batterie avec un chargeur d'auto prolongera la durabilité.

- Conservez la batterie et les bornes propres.
- Conservez les boulons de batterie serrés.
- Conservez les petits orifices de ventilations ouverts.
- Rechargez la batterie à raison de six ampères pendant une période d'une (1) heure.

REMARQUE: L'équipement d'origine de batterie de votre tracteur ne nécessite pas d'entretien. N'essayez pas d'ouvrir ou d'enlever les bouchons ou couvercles. Il n'est pas nécessaire de vérifier ou d'ajouter plus d'électrolyte.

POUR NETTOYER LA BATTERIE ET LES BORNES:

- La présence de corrosion ou de saleté sur la batterie et les bornes peut causer les "fuites" de puissance.
- Enlevez le protecteur des bornes.
- Premièrement débranchez le câble de batterie NOIR et ensuite le câble de batterie ROUGE et enlevez la batterie du tracteur.

ENTRETIEN

GUIDE D'ENTRETIEN

GUIDE D'ENTRETIEN	PNEUMATIQUES				MOTEUR				
	Avant chaque usage	Toutes les 8 heures	Toutes les 25 heures	Toutes les 50 heures	Toutes les 100 heures	Chaque saison	Avant l'entreposage		
Vérifiez le système de frein	✓	✓							
Vérifiez la pression des pneus	✓	✓							
Vérifiez le système de présence d'opérateur et le système del ROS.	✓	✓							
Vérifiez l'intégrité des systèmes de fixation	✓	✓							
Affiliez/Remplacez les lames de tondeuse			3						
Tableau de lubrification									
Vérifiez le niveau de batterie			4						
Nettoyez la batterie et les bornes									
Vérifiez le refroidissement de transmission									
Vérifiez L'Unisson De Fauchouse									
Vérifiez les courroies trapzodales									
Vérifiez le niveau d'huile du moteur	✓	✓							
Remplacez l'huile du moteur (avec un filtre)			1,2						
Remplacez l'huile du moteur (sans filtre)			1,2						
Nettoyez le filtre à air			2						
Nettoyez le tamis à air			2						
Inspectez le silencieux/Pare-étincelles									
Remplacez le filtre d'huile (si muni d'un)									
Nettoyez les ailettes de refroidissement									
Remplacez la bougie d'allumage									
Remplacez la cartouche									
Remplacez le papier du filtre à air									
Remplacez le filtre d'essence									

maint_sch-tractore-ROS.f

- Changez-les plus souvent quand le tracteur fonctionne avec un chargement lourd ou pendant les températures ambiantes élevées.
- Réparez plus souvent si les conditions sont poussiéreuses ou sales.
- Remplacez plus souvent les lames en cas d'utilisation sur un terrain sabonneux.
- Pas exigé si équipé avec une batterie sans entretien.

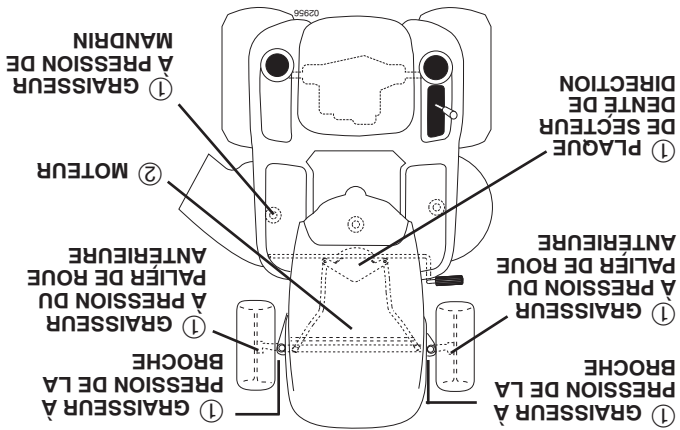
LES RECOMMANDATIONS GÉNÉRALES

La garantie pour ce tracteur ne couvre pas les éléments qui ont été sujets soit à un abus ou à des négligences de la part de l'opérateur. Pour conserver une garantie complète, l'utilisateur doit maintenir le tracteur tel que précisé dans ce manuel. Quelques ajustements sont nécessaires périodiquement pour maintenir correctement votre tracteur. Tous les réglages dans la section Entretien et Réglages de ce manuel devraient être vérifiés au moins une fois par saison. Une fois par an, remplacez la bougie d'allumage, nettoyez ou remplacez le filtre à air, et vérifiez la lame et les courroies pour les signes d'usure. Une nouvelle bougie d'allumage et un nouveau filtre à air propre assurent la présence d'un mélange air/essence correct et ainsi permet à votre moteur de marcher mieux et de durer plus longtemps.

AVANT CHAQUE UTILISATION

- Vérifiez le niveau d'huile de moteur.
- Vérifiez le fonctionnement du système de frein.
- Vérifiez la pression des pneus.
- Vérifiez que le système de présence d'opérateur et ROS fonctionnent bien.
- Vérifiez l'intégrité des systèmes de fixation.

TABEAU DE LUBRIFICATION



① LUBRIFIANT À TOUT USAGE

② RÉFÉREZ-VOUS À LA SECTION ENTRETIEN SOUS MOTEUR

IMPORTANT: NE METTEZ NI HUILE NI GRAISSE SUR LES POINTS DE PIVOT QUI ONT LES PALIERS EN NYLON. LES LUBRIFIANTS QUI ATTIRENT LA POUSSIÈRE ET LES SALETÉS DIMINUENT LA DURABILITÉ DE CES PALIERS À LUBRIFICATION AUTOMATIQUE. SI VOUS PENSEZ QU'ILS DOIVENT ÊTRE LUBRIFIÉS, UTILISEZ SEULEMENT ET AVEC MODÉRATION UN LUBRIFIANT SEC, EN POUDRE DE TYPE GRAPHITE.

UTILISATION

CONSEILS DE TONDRE

- Assurez-vous que votre tondeuse soit correctement nivelée pour le meilleur rendement. (Voir la section de "Pour Nivelier le carter de Tondeuse" sous Entretien et Réglages de ce manuel).
- Vous devez utiliser le côté gauche de la tondeuse pour la taille.
- Conduisez de manière à ce que l'herbe coupée soit déversée à la droite du tracteur. Vous obtiendrez ainsi une coupe plus uniforme et une meilleure répartition de l'herbe coupée.
- Pour tondre une grande surface, on vous conseille de commencer par tourner à droite, de façon à ce que l'herbe ne soit pas déversée sur les arbustes, les clôtures, les allées, etc. Après un ou deux tours, tondez en sens inverse en tournant à gauche jusqu'à ce que le travail soit achevé (Voir la Fig. 23).

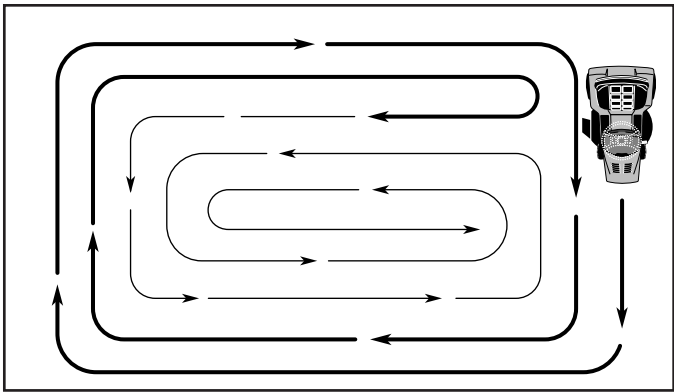


Fig. 23

- Si le gazon est très haut, il faut le tondre deux fois pour réduire la charge et la possibilité d'incendie de l'herbe sèche. La première fois, réglez l'appareil pour une coupe assez haute. La deuxième passe doit se faire à la hauteur désirée.
- Ne tondez pas l'herbe quand elle est mouillée. L'herbe mouillée bloquera la tondeuse. Laissez sécher l'herbe avant de tondre.
- **Tondez toujours avec la commande des gaz à plein gaz** pour assurer le meilleur rendement de tondre et le déchargement correct du matériau. Choisissez une vitesse de course qui donne le meilleur rendement de la tondeuse et la meilleure coupe.
- Quand vous utilisez les accessoires, choisissez toujours une vitesse de course qui convient au terrain et à l'accessoire utilisé.

PURGER LA TRANSMISSION

ATTENTION: N'engagez jamais ou ne dégagez jamais le levier de la roue libre pendant que le moteur fonctionne.



Pour assurer l'utilisation correcte et le rendement, il est recommandé que la transmission soit purgée avant d'utiliser le tracteur pour la première fois. Ce procédé enlèvera l'air emprisonné à l'intérieur de la transmission qui se développerait pendant l'expédition de votre tracteur.

IMPORTANT: SI VOTRE TRANSMISSION DOIT ÊTRE RETIRÉE POUR L'ENTRÉTIEN OÙ LE REMPLACEMENT, ELLE DEVRAIT ÊTRE PURGÉE APRÈS LA REINSTALLATION ET AVANT D'UTILISER LE TRACTEUR.

1. Placez le tracteur sur une surface nivelée, libre de tout objet et ouverte, avec le moteur coupé et le frein de stationnement mis en place.
2. Débrayez la transmission en mettant la commande de la roue libre dans la position roue libre (Référez-vous à la section de "POUR TRANSPORTER" dans cette section de ce manuel).
3. Lorsque vous asseyez sur le siège du tracteur, démarrez le moteur. Après que le moteur marche, déplacez la commande des gaz à la position lente. Dégagez le frein à main.

ATTENTION: À tout moment, au cours de l'étape 4, il peut y avoir du mouvement des roues d'entraînement.



4. Déplacez le levier de la commande de déplacement à la position de marche avant et tenez-le pendant cinq (5) secondes. Déplacez le levier à la position de marche arrière et tenez-le pendant cinq (5) secondes. Répétez ce procédé trois (3) fois.
 5. Coupez le moteur et engagez le frein de stationnement.
 6. Embrayez la transmission en déplaçant la commande de la roue libre en position de marche (Référez-vous à la section de "POUR TRANSPORTER" dans cette section de ce manuel).
 7. Lorsque vous vous asseyez sur le siège du tracteur, déplacez le moteur. Après que le moteur marche, déplacez la commande des gaz à la position de demi-vitesse (1/2). Dégagez le frein à main.
 8. Avancez le tracteur de 150 cm (5 pieds) approximativement et ensuite, reculez de 150 cm (5 pieds). Répétez ce procédé de conduire trois (3) fois.
- Votre tracteur est maintenant purgé et prêt pour l'utilisation normale.

AVANT DE DÉMARRER LE MOTEUR

VÉRIFIER LE NIVEAU D'HUILE DU MOTEUR
Ce moteur a été rempli à l'usine avec l'huile d'été avant l'expédition.

- Stationnez le tracteur sur un terrain plat avant de vérifier le niveau d'huile du moteur.
- Enlevez le bouchon de remplissage d'huile avec la jauge d'huile et nettoyez-la, remettez-la en place et serrez à fond le bouchon. Attendez quelques secondes puis enlevez-la pour déterminer le niveau d'huile. Si nécessaire, remplissez avec l'huile jusqu'à la marque pleine (FULL) sur la jauge d'huile. N'en mettez pas trop.
- Pour faciliter le démarrage pendant l'hiver, vous devriez changer l'huile. (Voir le "tableau de Viscosité d'Huile" dans la section de l'entretien de ce manuel.)
- Pour changer l'huile de moteur, voir la section Entretien de ce manuel.

REMPLIR LE RÉSERVOIR D'ESSENCE

- Remplissez le réservoir d'essence. Remplissez le réservoir d'essence jusqu'au fond de son goulot de remplissage. N'en mettez pas trop. Utilisez de l'essence sans plomb, régulière, fraîche, et propre avec un indice d'octane au moins 87. (L'utilisation d'essence sans plomb tend à réduire les dépôts de calamine et d'oxyde de plomb et prolonge la vie des soupapes). Ne mélangez pas l'huile avec l'essence. Pour que l'essence utilisée soit fraîche, achetez des quantités qui peuvent être utilisées dans les trente jours suivant l'achat.



ATTENTION: Essayez toujours l'huile ou l'essence renversée. Vous ne devez jamais emmagasiner, répandre ou utiliser de l'essence près d'une flamme nue.

IMPORTANT: POUR ASSURER UN BON DÉMARRAGE PAR TEMPS FROID (SOUS LES 32°F/0°C), VOUS DEVEZ UTILISER DE L'ESSENCE FRAICHE, PROPRE ET SPECIALE D'HIVER.

ATTENTION: L'expérience indique que les combustibles mélangés avec l'alcool (appelés gasohol ou utilisant l'éthanol ou le méthanol) peuvent attirer l'humidité qui cause la séparation et la formation d'acide pendant l'entreposage. Le gaz acide peut avaler le système d'essence d'un moteur pendant l'entreposage. Pour éviter les problèmes de moteur, le système d'essence doit être vidangé avant tout l'entreposage de 30 jours ou plus. Vidangez le réservoir d'essence, démarrez le moteur et laissez-le fonctionner jusqu'à ce que les conduites de combustible et le carburateur soient vides. Utilisez de l'essence fraîche la saison suivante. Reportez-vous aux instructions sur l'entreposage pour les autres renseignements. N'utilisez jamais de produits de nettoyage de moteur ou de carburateur dans le réservoir d'essence sinon des dommages permanents pourraient être causés.

POUR DÉMARRER LE MOTEUR (Voir la Fig. 13)

Quand vous démarrez le moteur pour la première fois ou si le moteur est sans essence, il faut plus de temps pour déplacer l'essence du réservoir au moteur.

- Assurez-vous que la commande roue libre soit dans la position d'engrenage engagé.
- Asseyez-vous sur le siège, enfoncez la pédale frein et engagez le frein de stationnement.
- Déplacez l'embrayage d'accessoire à la position débrayée (DISENGAGED).
- Déplacez la commande des gaz à la position rapide.
- Tirez la commande d'étrangleur pour tenter de faire un démarrage à froid. Pour le démarrage d'un moteur chaud ceci ne sera pas nécessaire.

REMARQUE: Avant de commencer, lisez les instructions suivantes. Insérez et tournez la clé dans le sens des aiguilles d'une montre à la position de démarrage (START) et relâchez la clé dès que le moteur démarre. N'utilisez pas le démarreur sans interruptions pendant plus de quinze secondes par minute. Si le moteur ne démarre pas après avoir essayé quatre ou cinq fois, enfoncez la commande d'étrangleur attendez quelques minutes et essayez encore.

DÉMARRAGE PAR TEMPS CHAUD (50°F/10°C et moins)

- Quand vous démarrez le moteur, enfoncez la commande d'étrangleur lentement jusqu'à ce que le moteur commence à fonctionner mieux. Si le moteur marche mal, tirez la commande d'étrangleur lentement jusqu'à ce que le moteur commence à fonctionner mieux. Si le moteur commence à marcher mal, tirez un peu la commande pendant quelques minutes puis recommencez à l'enfoncer lentement.
- Alors maintenant, les accessoires et la commande d'entraî-ment peuvent être utilisés. Si le moteur ne peut pas accepter cette charge, démarrez-le une autre fois et permettez qu'il se chauffe pendant une minute en utilisant l'étrangleur comme décrit ci-haut.

DÉMARRAGE PAR TEMPS FROID (50°F/10°C et plus)

- Quand vous démarrez le moteur, enfoncez doucement la commande d'étrangleur jusqu'à ce que le moteur marche bien. Continuez à enfoncez la commande petit à petit en permettant que le moteur accepte des petits changements de vitesses et de charge, jusqu'à ce que la commande soit complètement enfoncée. Si le moteur commence à marcher mal, tirez un peu la commande pendant quelques minutes puis recommencez à l'enfoncer. Il faut de quelques secondes à quelques minutes pour que le moteur se chauffe, selon la température.

RÉCHAUFFEMENT DE LA TRANSMISSION AUTOMATIQUE

- Avant de conduire le tracteur l'hiver, la transmission doit être chauffée comme suit:
 - Assurez-vous que le tracteur soit garé sur un terrain plat.
 - Relâchez le frein de stationnement et permettez que le frein retourne dans la position d'opération.
 - Permettez que la transmission se réchauffe pendant une minute. Ceci peut être fait pendant le temps d'échauffement que la transmission soit chaude et peuvent requérir que la commande d'étrangleur soit tirée un petit peu.
- Le mélange de carburant deman-dera un réglage pour obtenir le meilleur rendement du moteur si les altitudes sont supérieures à 914,4 mètres (3000 pi) ou si les températures sont froides (inférieures à 32°F/0°C). Consultez la section de "Pour Régler le Carburateur" à la section Entretien et Réglages de ce manuel.

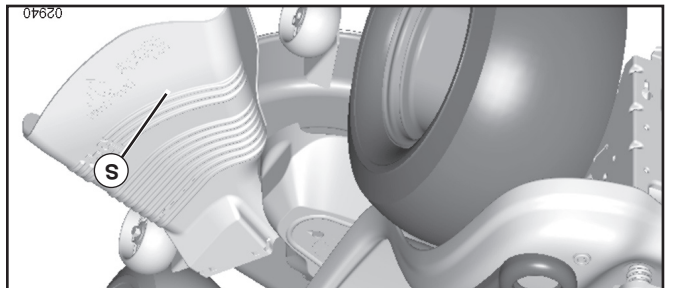


Fig. 20

SYSTÈME DE FONCTIONNEMENT EN MARCHÉ ARRIÈRE (ROS) (Voir la Fig. 21)

Le tracteur est équipé d'un Système de fonctionnement en marche arrière (ROS). Si l'opérateur tente de circuler en marche arrière avec l'embrayage de l'accessoire engagé, il provoquera l'arrêt du moteur à moins que la clé d'allumage soit placée dans la position ROS "ON".


AVERTISSEMENT: Il est fortement déconseillé de faire reculer avec l'embrayage de l'accessoire de tonte engagé. L'opérateur ne doit mettre le ROS sur ON, pour pouvoir reculer avec l'embrayage de l'accessoire engagé, que s'il l'estime réellement nécessaire pour repositionner la machine avec l'accessoire engagé. Ne tondez pas en marche arrière à moins qu'absolument nécessaire.

UTILISATION DU SYSTÈME DE FONCTIONNEMENT EN MARCHÉ ARRIÈRE

N'utilisez que si vous êtes certain qu'aucun enfant ou tiers n'est présent sur la surface à tondre.

- Enfoncez complètement la pédale de l'embrayage/train sans la lâcher.
- Avec le moteur en marche, introduisez la clé dans le commutateur ROS et faites-la tourner en sens anti-horaire sur ON.
- Regardez sur le sol et derrière vous avant de reculer, et tout en reculant.
- Déplacez lentement le levier de vitesse sur la marche arrière (R) pour commencer le mouvement.
- Lorsque l'utilisation du ROS n'est plus nécessaire, faites tourner la clé de contact en sens horaire sur ON.

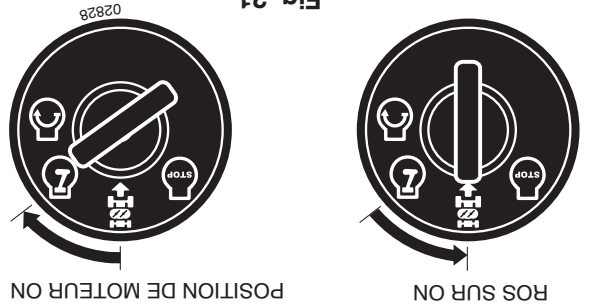
- Choisissez la vitesse la plus lente avant de commencer à monter ou descendre une côte.
- Évitez de changer la vitesse ou d'arrêter dans une côte.
- S'il est absolument nécessaire d'arrêter, enfoncez rapidement la pédale de frein jusqu'à sa position de freinage. Engagez le frein de stationnement.



AVERTISSEMENT: N'utilisez jamais le tracteur dans les côtes de plus de 15°. Ne conduisez jamais en travers des surfaces en pente.

POUR UTILISER DANS LES PENTES

Fig. 21



- Pour redémarrer, dégagez lentement le frein de stationnement et la pédale de frein.
- Appuyez lentement sur la pédale de marche avant jusqu'au réglage le plus lent.
- Virez toujours très progressivement.

POUR TRANSPORTER LE TRACTEUR

(Voir la Fig. 22)

Quand vous poussez ou remorquez le tracteur, assurez-vous que la transmission soit désengagée en déplaçant la commande de roue libre à la position à roue libre. La commande de roue libre est située sur la barre d'attelage arrière du tracteur.

- Soulevez le mécanisme de levage d'accessoire à la position la plus haute avec la commande de levage d'accessoire.
- Tirez la commande de roue libre au-dessus et vers le bas à l'intérieur de la rainure et relâchez-la pour qu'elle soit à la position désengagée.
- Ne remorquez ou poussez jamais votre tracteur à une vitesse de plus de 3,21 km/h (2 mph).
- Pour réengager la transmission, inversez le procédé ci-dessus.

REMARQUE: Pour protéger le capot des dommages pendant le transport de votre tracteur sur un camion ou une remorque, assurez-vous que le capot soit fermé et fixé au tracteur. Utilisez les moyens appropriés (corde, câble, etc.).

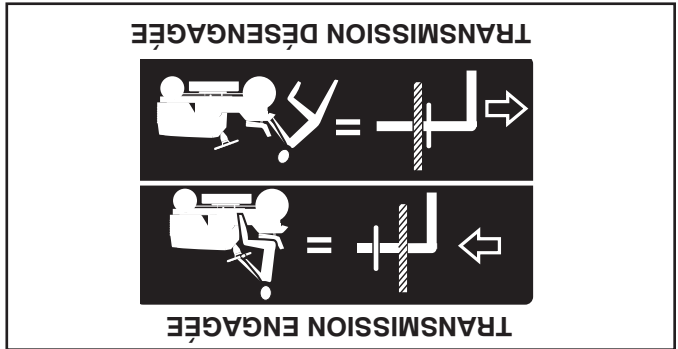


Fig. 22

POUR REMORQUER DES CHARRETTES ET AUTRES ACCESSOIRES

Remorquez seulement les accessoires recommandés, dans les spécifications du fabricant de votre tracteur. Faites preuve de jugement lorsque vous remorquez un accessoire. Il est dangereux de remorquer des chargements trop lourds dans une pente. Les pneus peuvent perdre de l'adhérence avec le terrain et vous faire perdre la maîtrise de votre tracteur.

INDICATEUR D'ENTRETIEN/HOROMETRE

L'indicateur d'entretien montre le total d'heures de fonctionnement du moteur et clignote lorsque l'entretien du moteur ou de la tondeuse est nécessaire. Si c'est le cas, l'indicateur d'entretien clignote pendant deux heures. Pour procéder à l'entretien du moteur et de la tondeuse, consultez la section Entretien de ce manuel.

REMARQUE: L'indicateur d'entretien est en fonction lorsque la clé d'allumage est dans n'importe quelle position, à l'exception de « STOP ». Pour une lecture réaliste, assurez-vous que la clé de mesure en position « STOP » lorsque le moteur ne tourne pas.

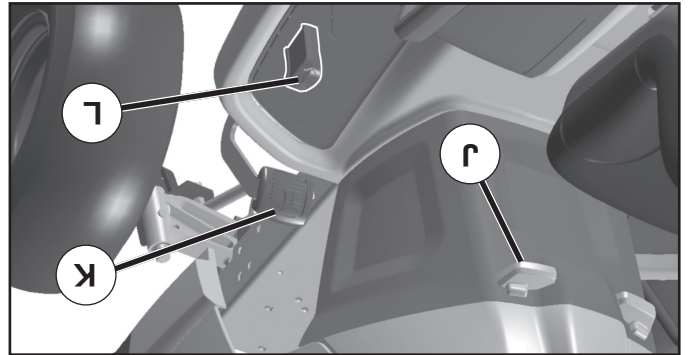


Fig. 17

COMMENT UTILISER LE RÉGULATEUR DE VITESSE - J (Voir la Fig. 17)

Le régulateur de vitesse n'est utilisable qu'en marche avant.

CARACTÉRISTIQUES DU SYSTÈME

Le régulateur de vitesse ne devrait être utilisé que lors du découpage ou en transport du tracteur sur des surfaces qui sont relativement lisses et droites. D'autres conditions telles que le découpage de finition à vitesses lentes peuvent faire désenclencher le régulateur de vitesse. Ne pas utiliser le régulateur de vitesse sur les pentes, les terrains rocailleux ou lors du découpage de finition ou en tournant.

- Appuyez sur la pédale de marche avant jusqu'à ce que la vitesse voulue soit atteinte, poussez le régulateur sur (J) "SET" et maintenez-le tout en soulevant votre pied de la pédale, puis lâchez le régulateur.
- Pour désengager le régulateur, tirez le levier vers l'arrière sur "OFF", ou appuyez à fond sur la pédale de frein.

POUR RÉGLER LA HAUTEUR DE COUPE DE LA TONDEUSE (Voir la Fig. 18)

La position du levier d'accrochage (A) détermine la hauteur de la tonte.

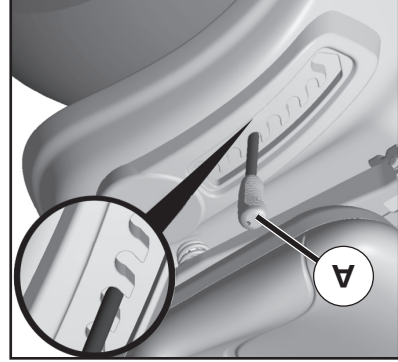


Fig. 18

- Placez le levier d'accrochage dans la rainure correspondant à la hauteur désirée.
- Faites glisser la languette (T) à la hauteur de tonte désirée à titre de rappel. Excellent lors de la prochaine utilisation.

La plage de réglage de la hauteur de coupe est environ de 3,81 cm (1-1/2 po.) à 10,16 cm (4 po.). Les hauteurs sont mesurées du terrain à l'extrémité de la lame quand le moteur ne marche pas. Ces hauteurs sont approximatives et elles pourraient changer à cause des conditions du terrain, de la hauteur de l'herbe et des types d'herbe qui sont tonchés.

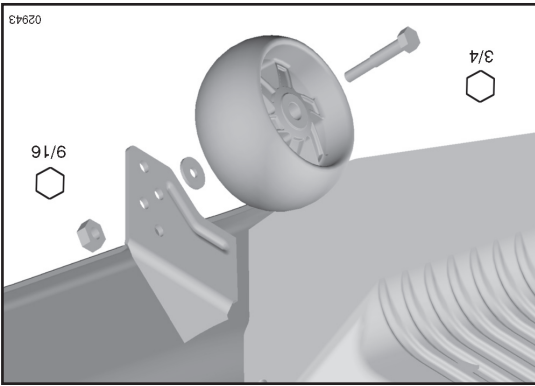
ATTENTION: N'utilisez pas la tondeuse sans le déflecteur ou sans le ramasse-herbe (S) s'il y a lieu. (Voir La Fig. 20)

POUR ARRÊTER LES LAMES DE TONDEUSE -

- Engagez les lames de tondeuse en déplaçant la commande d'embrayage à la position "EMBRAYÉE".
- Sélectionnez la hauteur de tonte désirée. (Voir "POUR RÉGLER LA HAUTEUR DE COUPE DE LA TONDEUSE".
- Voire tracteur est muni d'un interrupteur de détection de présence d'un opérateur. Le moteur s'arrête si l'opérateur essaie de quitter le siège pendant que le moteur fonctionne et que l'embrayage est engagé. Vous devez rester bien assis au milieu du siège pour éviter que le moteur hésite ou s'arrête quand le tracteur est utilisé sur un terrain accidenté ou des collines.

POUR UTILISER LA TONDEUSE

Fig. 19



- Réglez la tondeuse à la hauteur de coupe désirée (Voyez la section de "POUR RÉGLER LA HAUTEUR DE COUPE DE LA TONDEUSE" dans la section fonctionnement de ce manuel).
- Quand la tondeuse est à désirée pour la hauteur de coupe désirée, les roues devraient être montées légèrement au-dessus du sol. Installez la roue dans le trou approprié. Serrez à fond.
- Répétez de l'autre côté. Installez la roue dans le même trou réglable.

REMARQUE: Réglez les roues quand le tracteur est sur un terrain plat.

Les roues sont bien réglées quand elles se trouvent légèrement au-dessus du sol lorsque la tondeuse est à la hauteur de coupe désirée. Dans ce cas, les roues gardent le carter en place pour prévenir le dégagement de la plupart des terrains.

POUR RÉGLER LES ROUES DE JAUGE

- La pelouse doit être toncée à 6,35 cm (2-1/2 po.) pendant la saison fraîche et à plus de 7,62 cm (3 po.) pendant la saison chaude. Tondez souvent pour les meilleurs résultats.
- Pour le meilleur rendement, si l'herbe mesure plus de 15,24 cm (6 po.), vous devez la tonde deux fois. La première fois laissez-la plutôt longue; et la deuxième fois à la hauteur désirée.

UTILISATION

L'utilisation d'un tracteur présente le risque de projection des particules dans les yeux qui peuvent causer des blessures sérieuses. Portez toujours des lunettes de sécurité ou une visière pendant que vous utilisez, ou que vous faites des réglages ou des réparations au tracteur. Nous recommandons des lunettes de sécurité ou un masque large de sécurité porté au-dessus des lunettes.



POUR ENGAGER LE FREIN DE STATIONNEMENT (Voir la Fig. 14)

• Votre tracteur est muni d'un interrupteur de détection de présence d'opérateur. Le moteur s'arrêtera, si l'opérateur quitte le siège sans engager le frein de stationnement lorsque le moteur marche.

• Appuyez à fond sur la pédale (B) de frein à la position de frein (BRAKE). Maintenez le pied sur la pédale.

• Tirez sur le levier du frein de stationnement (C) et tenez-le, relâchez la pression sur la pédale de frein/d'embrayage (B), puis relâchez le levier du frein de stationnement. La pédale (B) devrait rester à la position de frein (BRAKE). Assurez-vous que le frein de stationnement retienne le tracteur sans risque.

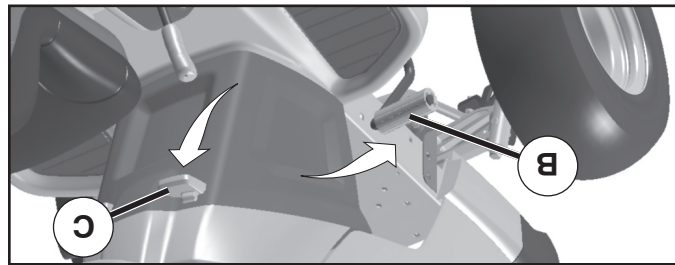


Fig. 14

POUR ARRÊTER (Voir la Fig. 15)

LAMES DE TONDEUSE -

• Pour arrêter les lames de tondeuse, bougez le contrôle d'embrayage d'accessoire à la position "DEBRAYÉE" (*).

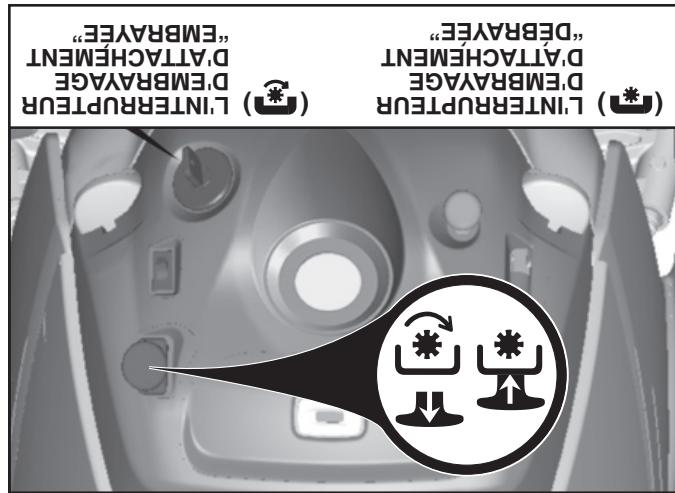


Fig. 15

ENTRAÎNEMENT -

- Pour arrêter l'entraînement, abaissez complètement la pédale de frein à la position "Frein".
- **IMPORTANT :** LES PÉDALES DE MARCHE AVANT ET DE MARCHE ARRIÈRE REVENNENT AU POINT MORT SI VOUS N'APPUYEZ PAS DESSUS.
- **MOTEUR -** Placez la commande des gaz en position (D) intermédiaire (entre rapide et lent).

POUR UTILISER L'ÉTRANGLEUR -N

(Voir la Fig. 16)

Utilisez l'étrangleur quand vous démarrez un moteur froid. Ne l'utilisez pas pour démarrer un moteur chaud.

- Pour engager l'étrangleur (N), tirez du bouton. Poussez lentement le bouton pour dégager l'étrangleur.

POUR AVANCER ET POUR RECULER

(Voir la Fig. 17)

La direction et la vitesse du déplacement sont contrôlées par les pédales de marche avant et de marche arrière.

- Démarrez le tracteur et libérez le frein à main.
- Appuyez doucement sur la pédale de marche avant (K) ou sur la pédale de marche arrière (L) pour commencer à vous déplacer. Plus vous appuyez sur la pédale, plus la vitesse au sol augmente.

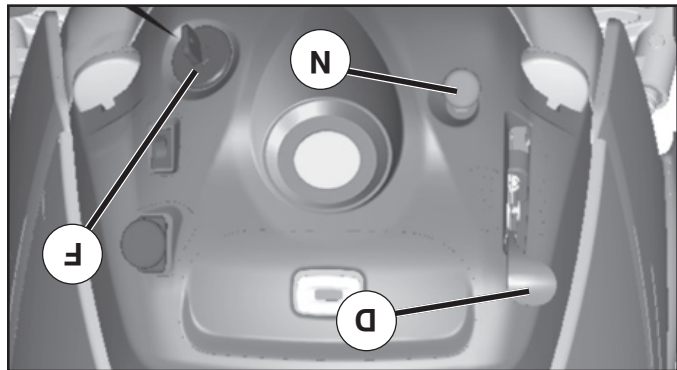


Fig. 16

POUR UTILISER LA COMMANDE DES GAZ-D

(Voir la Fig. 16)

Utilisez toujours le moteur à pleine vitesse (rapide). Faire fonctionner le moteur à une vitesse inférieure à sa vitesse maximale (rapide) réduit l'efficacité du moteur (D). Une pleine vitesse (rapide) permet une meilleure performance de la tondeuse.

ATTENTION: Arrêtez toujours le tracteur complètement, comme décrit ci-dessus, avant de quitter le tracteur; de vider le ramasse-herbe, etc.

IMPORTANT: SI LE CONTACT D'ALLUMAGE EST LASSISÉ À UNE AUTRE POSITION QUE OFF, LA BATTERIE SE DÉCHARGERÀ (À PLAT)

REMARQUE: Quand le tracteur marche au ralenti, les gaz d'échappement d'un moteur chaud peuvent causer des dommages au gazon. Pour éviter les dommages, coupez toujours le moteur quand vous arrêtez le tracteur sur le gazon.

REMARQUE: Si vous oubliez de placer la manette en position intermédiaire, vous risquez de provoquer un "retour de flammes".

- Tournez la clé de contact à la position coupée (F) STOP et enlevez-la. Enlevez toujours la clé de contact quand vous quittez le tracteur pour empêcher l'emploi non autorisée.
- N'utilisez pas la commande d'étrangleur pour arrêter le moteur.

UTILISATION

CONNAISSEZ VOTRE TRACTEUR

AVANT D'UTILISER VOTRE TRACTEUR, LISEZ CE MANUEL DE PROPRIÉTAIRE ET LES RÈGLES DE SÉCURITÉ

Comparez les illustrations ci-dessous à celles de votre tracteur afin de vous familiariser avec l'emplacement des différentes commandes et avec les réglages. Gardez ce manuel pour référence.

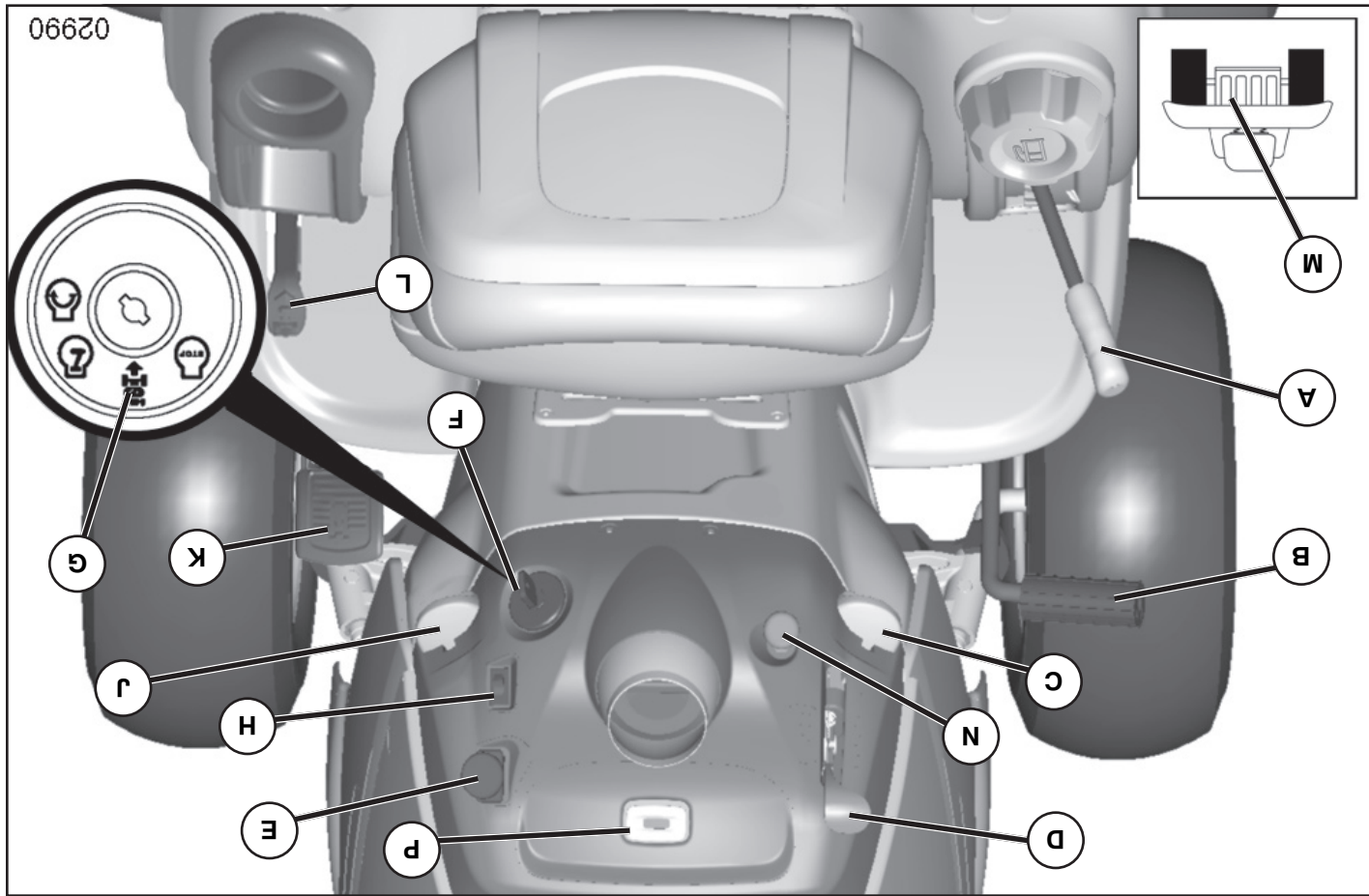


Fig. 13

Nos tracteurs conformément aux normes de sécurité de l'American National Standards Institute.


- (A) LEVIER DE LEVAGE D'ACCESSOIRE - permet de soulever et de baisser le carter de tondeuse ou les autres accessoires montés au tracteur.
- (B) PÉDALE DE FREIN - permet de débrayer la transmission, d'arrêter le tracteur et de démarrer le moteur.
- (C) LEVIER DU FREIN DE STATIONNEMENT - bloque la pédale de frein/embrayage en position de frein (BRAKE).
- (D) COMMANDE DES GAZ - permet de commander la vitesse de moteur.
- (E) INTERRUPTEUR D'EMBRAYAGE D'ACCESSOIRE - est utilisé pour engager les lames de tondeuse ou les autres accessoires montés sur le tracteur.
- (F) CONTACTEUR D'ALLUMAGE - permet de démarrer et de couper le moteur.
- (G) COMMUTATEUR DU SYSTÈME DE PRÉSENCE DE L'OPÉRATEUR (ROS POSITION "ON" - Permet le fonctionnement de la plate-forme de faucheuse ou de tout autre accessoire actionné tandis qu'à l'envers.

- (H) L'INTERRUPTEUR DES LUMIÈRES - permet d'allumer/éteindre les phares du tracteur.
- (J) LEVIER DE COMMANDE DE VITESSE - Sert à faire avancer le tracteur à la vitesse voulue sans appuyer sur la pédale de marche avant.
- (K) PÉDALE DE MARCHÉ AVANT - Sert à faire avancer le tracteur.
- (L) PÉDALE DE MARCHÉ ARRIÈRE - Sert à faire reculer le tracteur.
- (M) COMMANDE DE LA ROUE LIBRE - débraye la transmission pour le transport ou le remorquage du tracteur quand le moteur ne fonctionne pas.
- (N) COMMANDE DÉTRANGLEUR - permet de démarrer un moteur froid.
- (P) INDICATEUR D'ENTRETIEN/HOROMÈTRE - Indique lorsque l'entretien du moteur et de la tondeuse est nécessaire.






UTILISATION

Ces symboles peuvent se montrer sur votre tracteur ou dans les publications fournies avec le produit. Apprenez et comprenez la signification des symboles.


R EN ARRIÈRE
N POINT MORT
H HAUT
L BAS


 COUPER LE MOTEUR
 SYSTÈME DE FONCTIONNEMENT EN MARCHÉ ARRIÈRE (ROS)
 DÉMARRER LE MOTEUR
 MOTEUR ALLUMÉ


 ALLUMER DES PHARES
 ESSENCE
 BATTERIE
 MARCHÉ ARRIÈRE
 MARCHÉ DE DEVANT

 EMBRAYAGE ENGAGÉ
 EMBRAYAGE DOACCESOIRE DÉBRAYÉ
 DANGER, GARDEZ LES MAINS ET PIEDS LOIN
 GARDER L'AIRE LIBRE (VOYEZ SECURITE REGLES PARTIE)
 RISQUE PENTE

 DANGER indique un risque qui, s'il n'est pas évité, aura comme conséquence la mort ou des blessures sérieuses.
 AVERTISSEMENT indique un risque qui, s'il n'est pas évité, pourrait avoir comme conséquence la mort ou des blessures sérieuses.
 ATTENTION indique un risque qui, s'il n'est pas évité, pourrait causer des blessures mineures ou modérées.
 ATTENTION lorsqu'il est utilisé sans le symbole d'alerte, indique une situation qui pourrait résulter en un endommagement du tracteur et/ou du moteur.

 Le manquement à suivre les instructions de sécurité pourrait résulter en de sérieuses blessures ou même la mort. Le symbole d'alerte à la sécurité est utilisé pour identifier les informations de sécurité à propos des risques, qui peuvent avoir pour résultats la mort, de sérieuses blessures et/ou endommager votre propriété.

 FEU indique un risque qui, s'il n'est pas évité, pourrait avoir comme conséquence la mort, des blessures sérieuses et/ou l'endommagement de la propriété.

 SURFACES CHAUDES indique un risque qui, s'il n'est pas évité, pourrait avoir comme conséquence la mort, des blessures sérieuses et/ou l'endommagement de la propriété.

MONTAGE

LISTE DE CONTRÔLE

AVANT D'UTILISER VOTRE TRACTEUR, NOUS VOULONS
NOUS ASSURER QUE VOUS RECEVREZ LE MEILLEUR
RENDEMENT DE CE PRODUIT DE QUALITE ET QUE VOUS
EN SEREZ SATISFAIT.

LISEZ LA LISTE DE CONTRÔLE:

Toutes les instructions ont été exécutées.

Il n'y a pas de pièces détachées dans le carton.

La batterie a été correctement préparée et chargée.

Le siège a été ajusté à une position confortable et il a été
serre à fond.

Tous les pneus ont été correctement gonflés. (Les pneus
ont été surgonflés pour l'expédition.)

Assurez-vous que le carter de tondeuse ait été correctement
niveau du devant à l'arrière/d'un côté à l'autre pour obtenir
les meilleurs résultats. (Les pneus doivent être correctement
gonflés pour le nivellement.)

Vérifiez la tondeuse et les courroies d'entraînement. As-
surez-vous qu'elles soient EMBRAYÉES sur les poulies et
à l'intérieur de tous les guides-courroie.

Vérifiez le câblage. Assurez-vous que toutes les connexions
soient bien attachées et que les fils soient correctement
serres.

Avant de conduire le tracteur, assurez-vous que la commande
de la roue libre soit à la position de "transmission EMBRAYÉE"
(Référez-vous aux sections de "POUR TRANSPORTER"
dans le Manuel e l'Opérateur).

PENDANT QUE VOUS APPRENEZ À UTILISER VOTRE
TRACTEUR, FAITES ATTENTION AU:

Niveau d'huile de moteur.

Réservoir d'essence (rempli d'essence sans plomb normale,
fraîche, et propre).

Avant de démarrer le moteur, assurez-vous que vous
comprenez la fonction et l'emplacement de toutes les
commandes.

Assurez-vous que le système de frein fonctionne sans risque.

Vérifiez si le Système de présence de l'opérateur et le
Système de fonctionnement en marche arrière (ROS) fonc-
tionnent correctement (Cf. les chapitres Fonctionnement et
Entretien de ce manuel).

Il est important de purger la transmission avant de démarrer
votre tracteur pour la première fois. Suivez les instructions
correctes pour le démarrage et la purge de la transmis-
sion (Référez-vous aux sections de "POUR DEMARRER
LE MOTEUR" et "PURGER LA TRANSMISSION" dans le
Manuel e l'utilisateur).

VÉRIFIER LA PRESSION DES PNEUS

Les pneus de votre tracteur ont été surgonflés à l'usine pour
l'expédition. La pression de pneu correcte est importante pour
les meilleurs résultats de tonte.

• Réduisez la pression à l'intérieur des pneus à la valeur en
PSI indiquée sur ceux-ci.

VÉRIFIER SI LA TONDEUSE EST DE NIVEAU

Pour les meilleurs résultats de tonte, le boîtier de tondeuse doit
être correctement nivelé. Référez-vous à la section "POUR
NIVELER LE BOÎTIER DE TONDEUSE" dans la section Entretien
et Réglages de ce manuel.

VÉRIFIER SI TOUTES LES COURROIES SONT CORRECTEMENT EN PLACE

Référez-vous aux figures qui sont illustrées pour le remplace-
ment des courroies d'entraînement de lame de tondeuse et des
courroies de déplacement dans la section Entretien et Réglages
de ce manuel. Assurez-vous que toutes les courroies soient
correctement en position dans les guides-courroie.

VÉRIFIER LE SYSTÈME DE FREIN

Après vous être familiarisé avec le fonctionnement de votre
tracteur, vérifiez si les freins fonctionnent correctement. (Voir
« POUR VÉRIFIER LES FREINS » dans la section Entretien et
Réglages de ce manuel.)

MONTAGE

- INSTALLEZ D'ABORD LA BARRE ANTI-ROULIS (S). En commençant par le côté droit de la tondeuse, insérez la barre anti-roulis dans l'orifice du support de transmission (T).

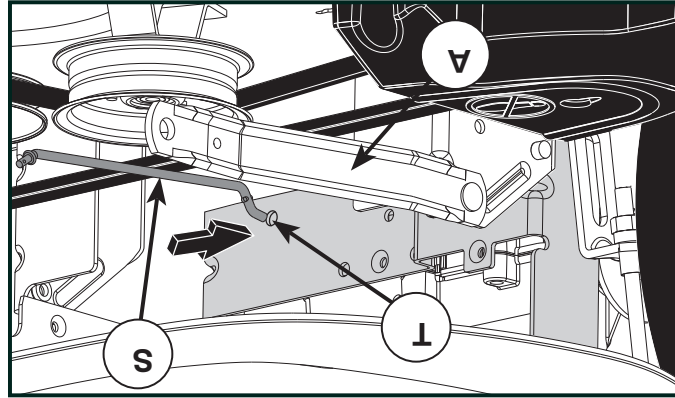


Fig. 7

- Faites pivoter la barre vers vous et insérez l'autre extrémité dans l'orifice à l'arrière du support arrière de la tondeuse (D). Bougez la tondeuse au besoin pour insérer la barre.
- Fixez solidement en place à l'aide d'une rondelle et d'un petit 5/16 ressort-arretoir, tel que montré.

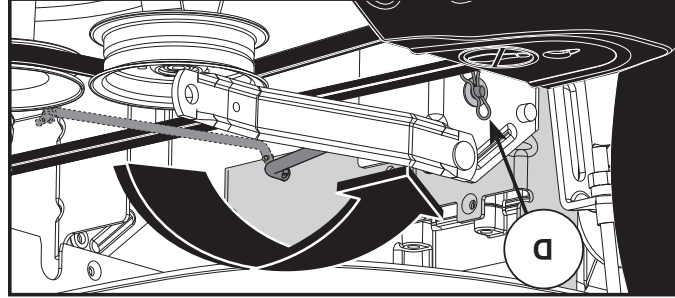


Fig. 8

- FIXEZ LES BRAS DE SUSPENSION LATÉRAUX DE LA TONDEUSE AU CHASSIS - Placez l'orifice du bras sur la tige (B) à l'extérieur du châssis du tracteur et fixez solidement à l'aide d'un ressort-arretoir.
- Répétez de l'autre côté du tracteur.

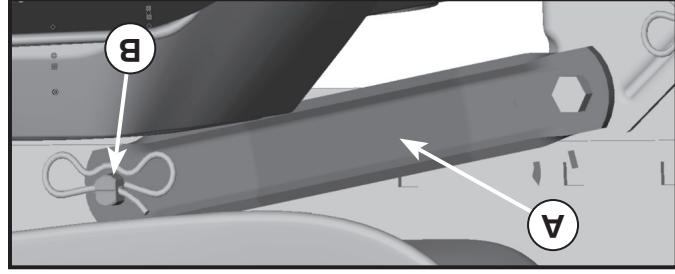


Fig. 9

- ATTACHEZ LES BIELLES ARRIÈRES (C) - Soulevez le coin arrière de la tondeuse et positionnez la rainure du bras sur la tige du support arrière (D) de la tondeuse et fixez fermement à l'aide d'une rondelle et d'un ressort-arretoir.
- Répétez de l'autre côté du tracteur.
- Remplacez le volant de sorte que les roues soient droites, vers l'avant.

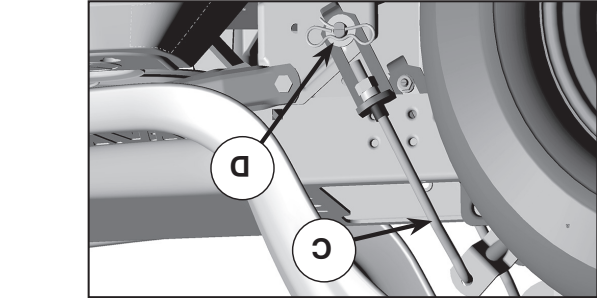


Fig. 10

- FIXEZ LA BIELLE AVANT (E) - Commencez à la gauche du tracteur. Insérez l'embout de l'assemblage de la biellette dans l'orifice avant du support de suspension avant du tracteur (F) et fixez fermement à l'aide d'un 7/16 ressort-arretoir (G) par l'orifice de la biellette situé derrière le support.
- Insérez l'autre embout de la biellette (E) dans l'orifice du support avant de la tondeuse (H) et fixez fermement à l'aide d'une rondelle et d'un 5/16 ressort-arretoir (J).
- Dégagez la tige de tension de la courroie (K) de la manette de verrouillage (L).

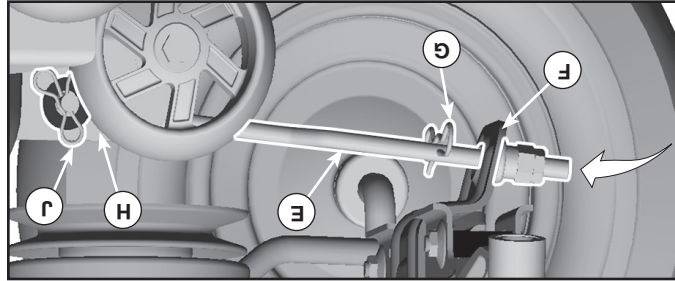


Fig. 11

- Installez la courroie sur la poulie de l'embrayage avant (M).

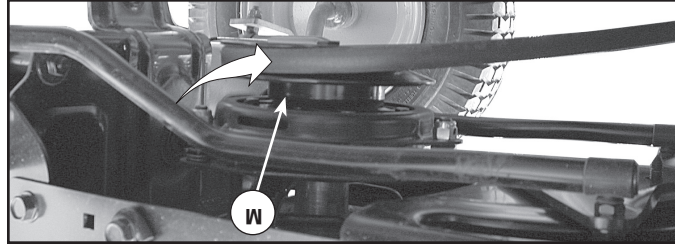


Fig. 12

- **IMPORTANT :** Assurez-vous que la courroie est bien en place dans les sillons des poulies de la tondeuse.
- Enclenchez la tige de tension de la courroie (K) de la manette de verrouillage (L).

ATTENTION : La tige de tension de la courroie possède un mécanisme à ressort. Tenez fermement la tige et enclenchez-la lentement.

POUR INSTALLER LA COURROIE D'ENTRAÎNEMENT DE LA LAME DE LA TONDEUSE

Suivez le procédé décrit dans la section "POUR REMPLACER LA COURROIE D'ENTRAÎNEMENT DE LA LAME DE LA TONDEUSE" dans la section "Révision et Réglages" de ce manuel.

MONTAGE

ASSEMBLEZ LA ROUE AVANT DE LA TONDEUSE (Voir la Fig. 3)

- À l'aide de la vis à épaulement, de la rondelle et du contre-écrou se trouvant dans le sac de pièces, assemblez la roue avant de la tondeuse tel que montré. Serrez fermement.

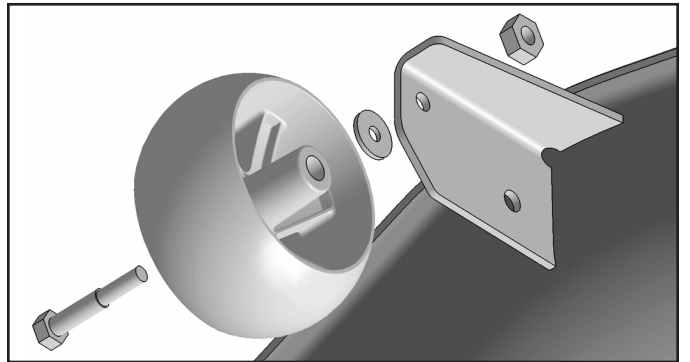


Fig. 3

INSTALLER LA TONDEUSE ET LA COURROIE D'ENTRAÎNEMENT (Voir les Figs. 4-12)

Assurez-vous que le tracteur se trouve sur une surface de niveau et actionnez le frein de stationnement.

- Abaissez le levier de levage à sa position la plus basse.

ATTENTION: Le levier possède un mécanisme à ressort. Tenez fermement le levier le levage, abaissez-le lentement et enclenchez-le à sa position la plus basse.



- Tournez le volant aussi loin que possible vers la gauche et positionnez la tondeuse à la droite du tracteur, le déflecteur vers la droite.

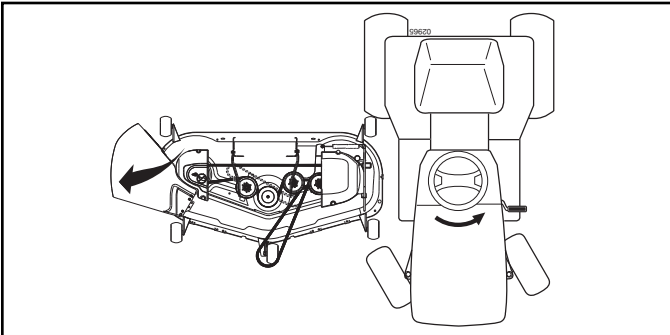


Fig. 4

- REMARQUE :** Assurez-vous que les bras de suspension latéraux de la tondeuse (A) pointent vers l'avant avant de glisser la tondeuse sous le tracteur.
- Glissez la tondeuse sous le tracteur, jusqu'à ce qu'elle soit au centre de celui-ci.

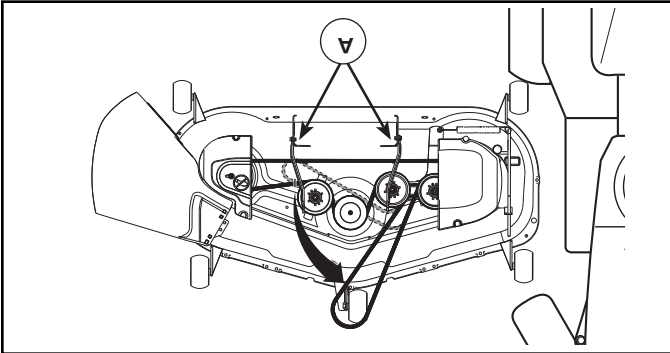


Fig. 5

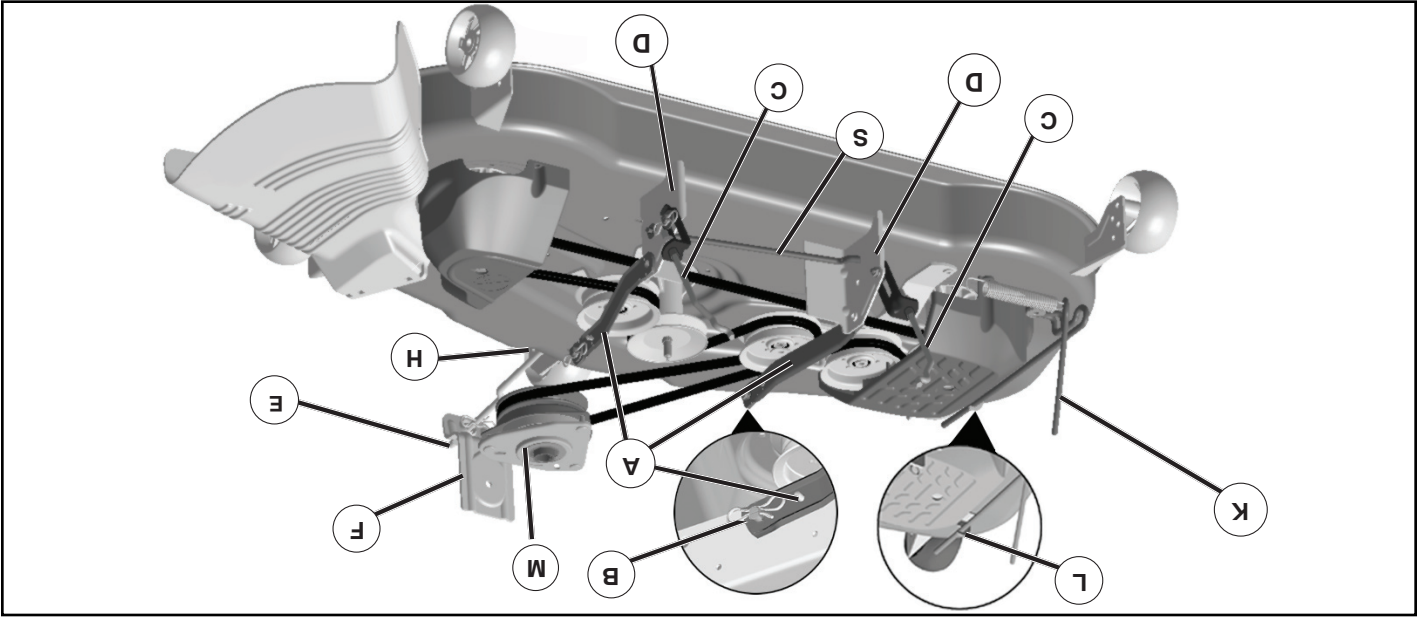


Fig. 6

MONTAGE

Votre nouveau tracteur a été monté à l'usine sauf les pièces qui ne sont pas montées pour l'expédition. Pour assurer l'utilisation correcte et sûre de votre tracteur, toutes les pièces et la visserie que vous montez doivent être serrées à fond. Utilisez les bons outils pour assurer un fonctionnement sécuritaire.

LES OUTILS EXIGÉS POUR LE MONTAGE DE VOTRE TRACTEUR

Un jeu de clé à douille rendra le montage. Les dimensions normales des clés sont inscrites.

(2) Clés de 7/16"

(1) Clés de 1/2"

(1) Clé de 3/4"

(1) Clé à douille de 3/4" à cliquet

Quand on utilise l'expression "DROITE" ou "GAUCHE", elle signifie la droite ou la gauche à partir de la position derrière le volant de direction.

POUR SORTIR LE TRACTEUR DU CARTON

DEBALLER LE CARTON

- Enlever toutes les pièces détachées et les petites boîtes contenant les pièces du carton.
- Couper le long des lignes pointillées sur les quatre surfaces de carton. Enlever les panneaux situés à chaque bout et étendre à plat les panneaux des côtés.
- Enlever la tonduse et tout matériel d'emballage.
- Vérifiez s'il y a des pièces détachées et conservez-les.

AVANT RETIRER LE TRACTEUR DE PALETTE

VÉRIFIER LA BATTERIE (Voir la Fig. X)

- Levez le capot.

REMARQUE: Si cette batterie est mise en service après le mois ou l'année indiquée sur l'étiquette localisée entre les bornes), chargez la batterie pour un minimum d'une heure à 6-10 amps. (Voir "BATTERIE" dans la section Entretien de ce manuel).

- Pour installer la batterie et câble du batterie suivez le procédé décrit dans la section "REPLACEZ LA BATTERIE" dans la section "REVISION ET REGLAGES" de ce manuel.

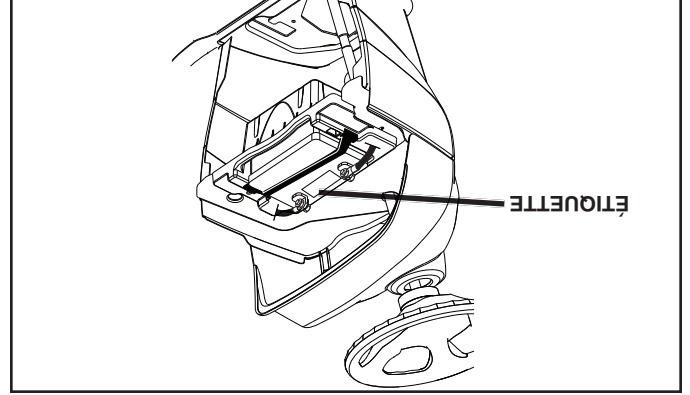


Fig. 1

AJUSTEZ LE SIÈGE (Voir la Fig. 2)

- Assoyez-vous sur le siège.
- Soulevez le levier de réglage (a) et glissez le siège jusqu'à ce que vous soyez dans une position confortable qui vous permet d'appuyer complètement sur la pédale d'embrayage/frein.
- Relâchez du levier pour assurer le siège en position.

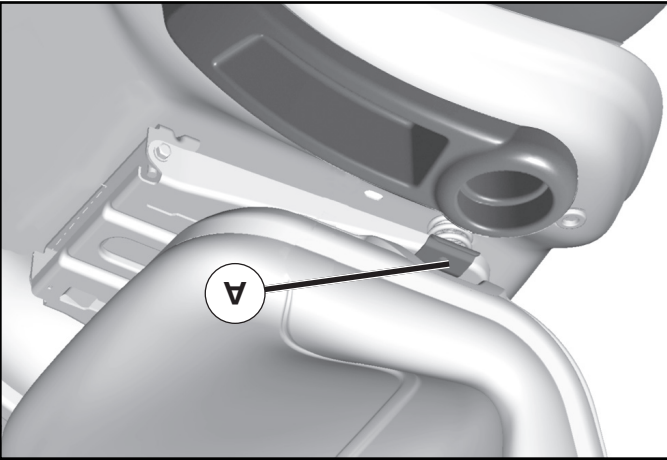


Fig. 2

REMARQUE: Procédez comme suit pour retirer le tracteur de la palette.

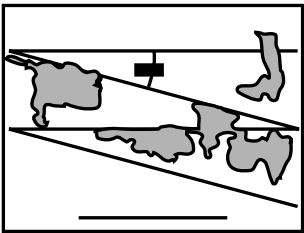
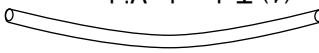
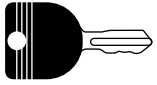
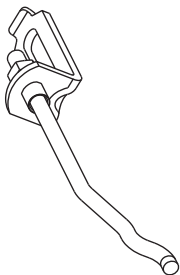
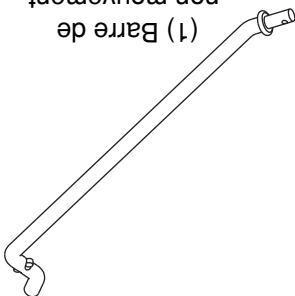
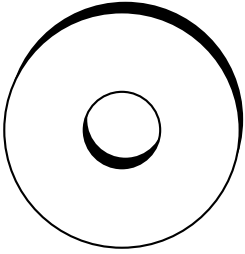
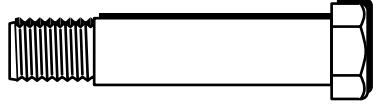

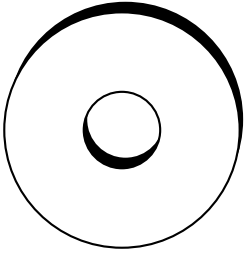
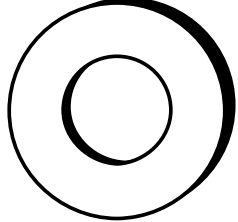


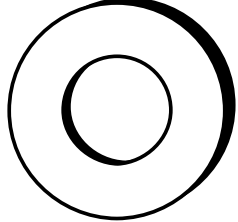
AVERTISSEMENT: avant le démarrage, nous vous prions de lire, comprendre et suivre toutes les instructions dans la section Fonctionnement de ce manuel d'instructions. S'assurer que le tracteur soit placé dans une zone bien aérée. S'assurer qu'il n'y a aucune personne ou objet.

POUR RETIRER LE TRACTEUR DE LA PALETTE EN LE FAISANT ROULER (Voir la section Fonctionnement pour connaître l'emplacement et la fonction des commandes.)

- Abaissez le levier de levage du piston et, placez le levier de levage d'accessoire à la position la plus haute.
- Appuyez sur la pédale de frein/embrayage pour dégager le frein de stationnement.
- Déplacez la commande de roue libre à la position roue libre pour débrayer la transmission. (Voir "POUR TRANSPORTER" dans la section fonctionnement de ce manuel).
- Retirez le tracteur hors de la palette en le faisant rouler.

Continuez selon les instructions suivantes

PIÈCES NON MONTÉES

 <p>Guide-pente</p>  <p>(1) Tube de Vidange</p>  <p>Clés</p> <p>(2) Clés</p>	 <p>(2) Bielles Arrières</p>  <p>(1) Barre de non mouvement</p>
 <p>(1) Roue</p>  <p>(1) Boulon à Epaulement</p>  <p>(1) Écrou frein 3/8-16</p>  <p>(1) 1-1/4 O.D. Rondelle</p>	 <p>(1) 3/4 O.D. Rondelle</p>  <p>(5) Grand Ressort de Retenue - 7/16</p>  <p>(2) Petit Ressort de Retenue - 5/16</p>  <p>(5) 1-3/16 O.D. Rondelle</p>

RÈGLES DE SÉCURITÉ.....	2-3
SPÉCIFICATIONS DE PRODUIT	4
RESPONSABILITÉS DU CLIENT	4
MONTAGE	6-9
UTILISATION	10-16
GUIDE D'ENTRETIEN	17

ENTRETIEN.....	17-20
RÉVISION ET RÉGLAGES	21-25
ENTREPOSAGE.....	26
GUIDE DE DÉPANNAGE	27-28
GARANTIE.....	30

SOMMAIRE

Capacité et le type	4,00 Gallons (15,1 L)
d'essence:	Essence sans plomb normale
Type d'huile	SAE 30 (supérieure de 32°F/0°C)
(API-SG-SL):	SAE 5W-30 (inférieure de 32°F/0°C)
Capacité d'huile:	Avec un filtre: 64 Oz. (1,96 L) Sans filtre: 60 Oz. (1,77 L)
Bougie d'allumage:	Champion QC12YC (Écart: 0,040 po/1,020 mm)
Vitesse de marche	Marche avant: 0 - 5,2/8,4 (mph/kmh):
Système de	16 ampères @ 3600 RPM
chargement:	
Batterie:	AMP/HR: 28 MIN. CCA: 230 DIMENSION: U1R
Couple de rotation	45-55 ft. lbs. (62-75 Nm.) au boulon de lame:

SPÉCIFICATIONS DE PRODUIT

FÉLICITATIONS pour votre achat. Ce tracteur a été conçu, perfectionné, et fabriqué pour assurer un rendement et une sûreté maximum.

S'il survient un problème que vous ne pouvez pas résoudre, contactez le centre d'entretien autorisé le plus proche. Vous y trouverez des techniciens qualifiés équipés des outils appropriés pour faire l'entretien et la réparation de ce tracteur.

Veillez lire et conserver ce manuel. Les instructions qu'il contient vous permettront de monter, et d'entretenir correctement votre tracteur. Observez toujours les "RÈGLES DE SÉCURITÉ".

RESPONSABILITÉS DU CLIENT

- Lisez et observez les règles de sécurité.
- Suivez un programme régulier d'entretien, et d'utilisation du tracteur.
- Suivez les instructions dans les sections Entretien et Entreposage de ce Manuel du propriétaire.

AVERTISSEMENT: Ce tracteur est équipé d'un moteur à combustion interne et il ne doit pas être utilisé sur ou près d'un terrain couvert d'arbres, d'arbustes, ou d'herbe si le système d'échappement n'est pas muni d'un pare-étincelles qui ren-contre les exigences des lois locales applicables. Quand un pare-étincelles est utilisé, il doit être maintenu en bon état de fonctionnement par l'opérateur.

Un pare-étincelles pour le silencieux est disponible au centre d'entretien autorisé le plus proche (Voir la section PIÈCES DE RECHANGE de ce manuel).

RÈGLES DE SÉCURITÉ

Conseils pour l'utilisation en toute sécurité des tracteurs



III. ENFANTS

Des accidents tragiques peuvent avoir lieu si l'opérateur ne fait pas très attention en présence d'enfants. Les enfants sont souvent très attirés par la machine et par la tonte. Ne croyez jamais que les enfants restent immobiles à l'endroit où vous venez de les laisser.

- Les enfants doivent se tenir hors de la zone de tonte et sous la supervision d'un adulte responsable, autre que l'opérateur.
- Faites très attention et éteignez le moteur si un enfant pénètre dans la zone.
- Regardez toujours s'il n'y a pas d'enfants en bas âge vers le bas et vers l'arrière avant et pendant la marche arrière.
- Ne transportez jamais d'enfant même si les lames ne tournent pas. Ils pourraient tomber et se blesser gravement ou gêner le fonctionnement de la machine. Les enfants qui ont déjà été transportés auparavant risquent de se précipiter dans la zone de tonte pour faire un autre tour et d'être renversés par la machine.
- Ne laissez jamais les enfants utiliser la machine.
- Faites très attention à proximité des angles morts, des arbustes, des arbres ou d'autres objets susceptibles de cacher un enfant à la vue.

IV. REMORQUAGE

- Ne remorquez qu'avec un véhicule conçu pour l'attelage.
- N'accrochez l'appareil remorqué qu'au crochet d'attelage.
- Suivez les recommandations du fabricant quant aux limites de poids des appareils remorqués et au remorquage dans les pentes.
- Ne laissez jamais les enfants ou d'autres personnes à bord des appareils remorqués.
- Dans les pentes, le poids de l'appareil remorqué risque de provoquer une perte de traction ou de contrôle.
- Circulez lentement en maintenant les distances pour vous arrêter.

V. ENTRETEN

MANIPULATION SÛRE DE L'ESSENCE

- Manipulez l'essence avec une prudence extrême afin d'éviter les blessures personnelles et les dégâts matériels. L'essence est extrêmement inflammable et les vapeurs sont explosives.
- Éteignez les cigarettes, les cigares, les pipes et toutes les autres sources d'inflammation.
- N'utilisez que des récipients d'essence homologués.
- Il est strictement interdit d'ôter le capuchon du carburant ou d'ajouter du carburant lorsque le moteur est en marche.
- Laissez le moteur refroidir avant de faire le plein.
- Ne faites jamais le plein à l'intérieur.
- Ne rangez jamais la machine ou le récipient du carburant dans un endroit en présence d'une flamme libre, d'étincelles ou d'une flamme pilotée, comme par exemple un chauffe-eau ou d'autres appareils.
- Ne remplissez jamais les récipients dans un véhicule ou un camion ou une remorque ayant un revêtement en plastique.
- Placez toujours les récipients au sol, loin du véhicule, avant de les remplir.
- Déchargez les appareils à essence du camion ou de la remorque et faites le plein au sol. Si cela est impossible, faites le plein avec un récipient portable plutôt qu'avec une pompe.
- Laissez la buse au contact du bord du réservoir d'essence ou de l'ouverture du récipient jusqu'à la fin de l'opération de remplissage. N'utilisez pas de dispositif de verrouillage de la buse ouverte.
- Si du carburant tombe sur vos vêtements, changez-les immédiatement.
- Ne faites jamais déborder le réservoir. Remettez le capuchon de gaz en place et serrez solidement.

ENTRETEN GÉNÉRAL

- Ne faites jamais fonctionner la machine dans un endroit clos. Tous les écus et les boulons doivent être bien serrés pour que l'appareil fonctionne en condition de sécurité.
- Ne bricoliez jamais les dispositifs de sécurité. Vérifiez régulièrement leur bon fonctionnement.
- Libérez la machine des brins d'herbe, des feuilles ou autres débris accumulés susceptibles de toucher le tuyau d'échappement ou les parties chaudes du moteur et de brûler. Nettoyez l'huile ou le carburant versés et éliminez les débris imbibés de carburant. Laissez la machine refroidir avant de la ranger.
- Si vous heurtez un objet, arrêtez et inspectez la machine. Réparez-la au besoin avant de redémarrer.
- N'effectuez jamais ni réglages, ni réparations avec le moteur en marche.
- Vérifiez fréquemment les éléments du ramasse herbe et la protection l'évacuation et remplacez-les avec les pièces recommandées par le fabricant, en cas de besoin.
- Les lames de la tondeuse sont affûtées. Enveloppez les lames ou portez des gants et faites très attention pendant les opérations d'entretien.
- Vérifiez fréquemment le fonctionnement du frein. Effectuez les opérations de réglage et d'entretien requises.
- Conservez et remplacez au besoin les autocollants de sécurité et d'instruction.
- Vérifiez si personne ne stationne dans la zone avant de commencer. Si quelqu'un pénètre dans la zone arrêtez la machine.



- Ne portez jamais de passager.
- Ne tondez pas en marche arrière, sauf en cas de nécessité absolue. Regardez toujours vers le bas et vers l'arrière avant et pendant la marche arrière.
- Ne transportez jamais d'enfant même si les lames ne tournent pas. Ils pourraient tomber et se blesser gravement ou gêner le fonctionnement de la machine. Les enfants qui ont déjà été transportés auparavant risquent de se précipiter dans la zone de tonte pour faire un autre tour et d'être renversés par la machine.
- Les enfants doivent se tenir hors de la zone de tonte et sous la supervision d'un adulte responsable, autre que l'opérateur.
- Faites très attention et éteignez le moteur si un enfant pénètre dans la zone.
- Regardez toujours s'il n'y a pas d'enfants en bas âge vers le bas et vers l'arrière avant et pendant la marche arrière.
- Tondez les pentes en montant et en descendant (15° max), jamais transversalement.
- Faites très attention et éteignez le moteur si un enfant pénètre dans la zone.
- Sélectionnez une vitesse sol faible afin de ne pas devoir ralentir ou changer de vitesse dans les pentes.
- Évitez d'effectuer les démarrages, arrêts ou virages dans les pentes. Si les pneus n'adhèrent plus, dégagez les lames et procédez lentement vers le bas de la pente.
- Si la machine s'arrête en montée, dégagez les lames, engagez la marche arrière et reculez lentement.
- N'effectuez pas de virage dans les pentes si cela n'est pas strictement nécessaire, et dans ce cas tournez lentement et progressivement dans la descente.

RÈGLES DE SÉCURITÉ

Conseils pour l'utilisation en toute sécurité des tracteurs



DANGER: CET TRACTEUR PEUT AMPUTER LES MAINS, LES PIEDS ET PROJETER LES OBJETS. L'OBSERVATION DES RÈGLES DE SÉCURITÉ SUIVANTES PEUT ÊTRE LA CAUSE DE BLESSURES SÉRIEUSES ET MÊMES MORTELLES.

- Ne faites pas fonctionner la machine si le ramasse herbe, la protection de l'évacuation ou les autres dispositifs de sécurité ne sont en place et en bon état.
- Ralentissez avant de tourner.
- Ne laissez jamais la machine en marche sans surveillance. Arrêtez toujours les lames, tirez le frein à main, arrêtez le moteur et enlevez les clés avant de descendre.
- Dégagez les lames lorsque vous ne tondez pas. Arrêtez le moteur et attendez que tous les éléments soient complètement arrêtés avant de nettoyer la machine ou d'enlever le ramasse herbe ou de libérer la protection de l'évacuation,
- Ne faites marcher la machine que le jour ou à la lumière artificielle,
- Ne faites pas marcher la machine si vous êtes sous l'influence de l'alcool ou de drogues.
- Faites attention à la circulation si vous opérez à proximité d'une route ou si vous la traversez.
- Faites très attention lorsque vous chargez la machine sur un camion ou une remorque.
- Portez toujours des lunettes de protection lorsque vous utilisez la machine.
- Les statistiques montrent que les accidents provoqués par des tondeuses autoportées sont plus fréquents chez les opérateurs de plus de 60 ans. Ces personnes doivent évaluer leur capacité de conduire une tondeuse en garantissant un niveau de sécurité adéquat à eux-mêmes et aux autres.
- Respectez les recommandations du fabricant au niveau des poids et des contre-poids.
- Libérez la machine des brins d'herbe, des feuilles ou autres débris accumulés susceptibles de toucher le tuyau d'échappement ou les parties chaudes du moteur et de brûler. Ne laissez pas le bas de la tondeuse cisailier des feuilles ou d'autres débris susceptibles de s'accumuler. Nettoyez l'huile et le carburant éventuellement versé avant d'utiliser ou de ranger la machine. Laissez la machine refroidir avant de la ranger.

II. FONCTIONNEMENT DANS LES PENTES

- Les pentes sont très souvent à l'origine de pertes de contrôle et de tonneaux, susceptibles de provoquer de graves blessures, même mortelles. Soyez très prudent lorsque vous opérez dans les pentes. Si vous n'êtes pas en mesure d'affronter les pentes ou si vous sentez mal à l'aise, ne les tondez pas.
- Tondez les pentes en montant et en descendant, jamais transversalement.
- Faites attention aux trous, aux ornières, aux bosses ou autres objets cachés. La machine risque de capoter sur les sols inégaux. L'herbe haute peut cacher des obstacles.
- Sélectionnez une vitesse sol faible afin de ne pas devoir ralentir ou changer de vitesse dans les pentes. Ne tondez pas sur l'herbe humide. Les pneus risquent de mal adhérer.
- Laissez toujours la machine embrayée lorsque vous descendez une pente. Ne mettez jamais au point mort dans les descentes.
- Évitez d'effectuer les démarrages, arrêts ou virages dans les pentes. Si les pneus n'adhèrent plus, dégagez les lames et procédez lentement vers le bas de la pente.
- Dans les pentes n'effectuez que des mouvements lents et progressifs. Ne changez jamais brusquement de vitesse ou de direction afin de ne pas faire culbuter la machine. Faites très attention lorsque vous utilisez la machine avec un ramasse herbe ou d'autres accessoires ; ils risquent de nuire à la stabilité de la machine. Ne l'utilisez pas sur les pentes très raides. N'essayez pas de stabiliser la machine en mettant un pied à terre.
- Ne tondez jamais à proximité des ravins, des fossés ou des talus. La machine risque de culbuter à l'improviste par-dessus bord ou de précipiter si le bord s'éboule.

AVERTISSEMENT: Débranchez toujours le fil de bougie d'allumage et pour prévenir les démarrages accidentels, posez-le de telle façon qu'il ne puisse pas entrer en contact avec la bougie d'allumage lors de l'installation, du transport, des ajustements ou des réparations.



AVERTISSEMENT: Ne descendez pas les pentes à point mort, vous pourriez perdre la commande du tracteur.



AVERTISSEMENT: Remorquez seulement les accessoires recommandés par et selon les spécifications du fabricant de votre tracteur. Utilisez votre bon sens pendant que vous remorquez. Opérez seulement avec la vitesse la plus réduite pendant que vous allez sur une pente. Il est dangereux d'avoir un chargement trop lourd pendant que vous opérez sur une pente. Les pneus peuvent détruire la traction avec la terre et vous faire perdre la commande de votre tracteur.



AVERTISSEMENT: Les gaz d'échappement et certains composants des véhicules contiennent ou émettent des produits chimiques reconnus dangereux par l'Etat de la Californie, parce que cancérigènes ou tératogènes ou responsables d'autres troubles de la reproduction.



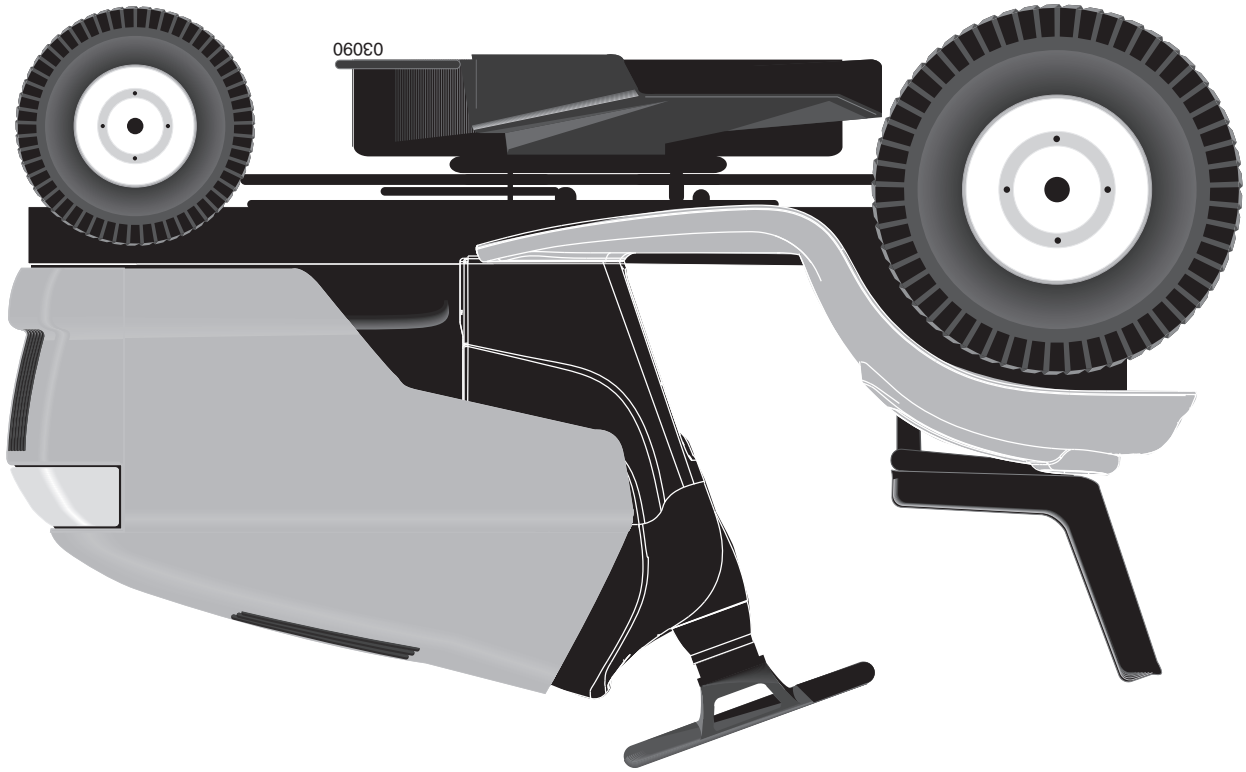
AVERTISSEMENT: Les bornes des batteries, ainsi que toutes les bornes et leurs accessoires contenant du plomb, des dérivés du plomb ou des produits chimiques à base de plomb, sont reconnus dangereux par l'Etat de la Californie, parce que cancérigènes ou tératogènes ou responsables d'autres troubles de la reproduction. Lavez-vous soigneusement les mains après les avoir touchés.



I. FONCTIONNEMENT GÉNÉRAL

- Veuillez lire, comprendre et suivre les instructions que vous trouverez sur la machine et dans le manuel avant de commencer.
- Ne mettez ni vos mains ni vos pieds à proximité des parties tournantes ou sous la machine. Les orifices d'évacuation doivent être toujours libres.
- Seuls les adultes responsables doivent être autorisés à utiliser la machine.
- Débarassez la zone des objets comme les pierres, les jouets, les fils de fer, etc., susceptibles d'être prélevés et projetés par les lames.
- Vérifiez si personne ne stationne dans la zone avant de commencer. Si quelqu'un pénètre dans la zone arrêtez la machine. Ne portez jamais de passager.
- Ne tondez pas en marche arrière, sauf en cas de nécessité absolue. Regardez toujours vers le bas et vers l'arrière avant et pendant la marche arrière.
- Ne dirigez jamais le matériel déchargé vers qui que ce soit.
- Évitez de décharger le matériel contre un mur ou un obstacle. Le matériel risque de rebondir vers l'opérateur. Arrêtez les lames lorsque vous traversez des allées gravillonnées.

Poulan PRO



MANUEL DE L'OPÉRATEUR

MODÈLE:

XT22H54

TRACTEUR DE PELOUSE

PORTEZ TOUJOURS DES LUNETTES DE SÉCURITÉ LORS DE L'UTILISATION.

Visitez notre site web : www.poulan-pro.com

Lisez soigneusement le Manuel suivez tous les Avertissements et les Instructions de Sécurité. Les blessures sérieuses peuvent en résulter si vous ne lisez pas ces Avertissements et Instructions de Sécurité.

AVERTISSEMENT:

