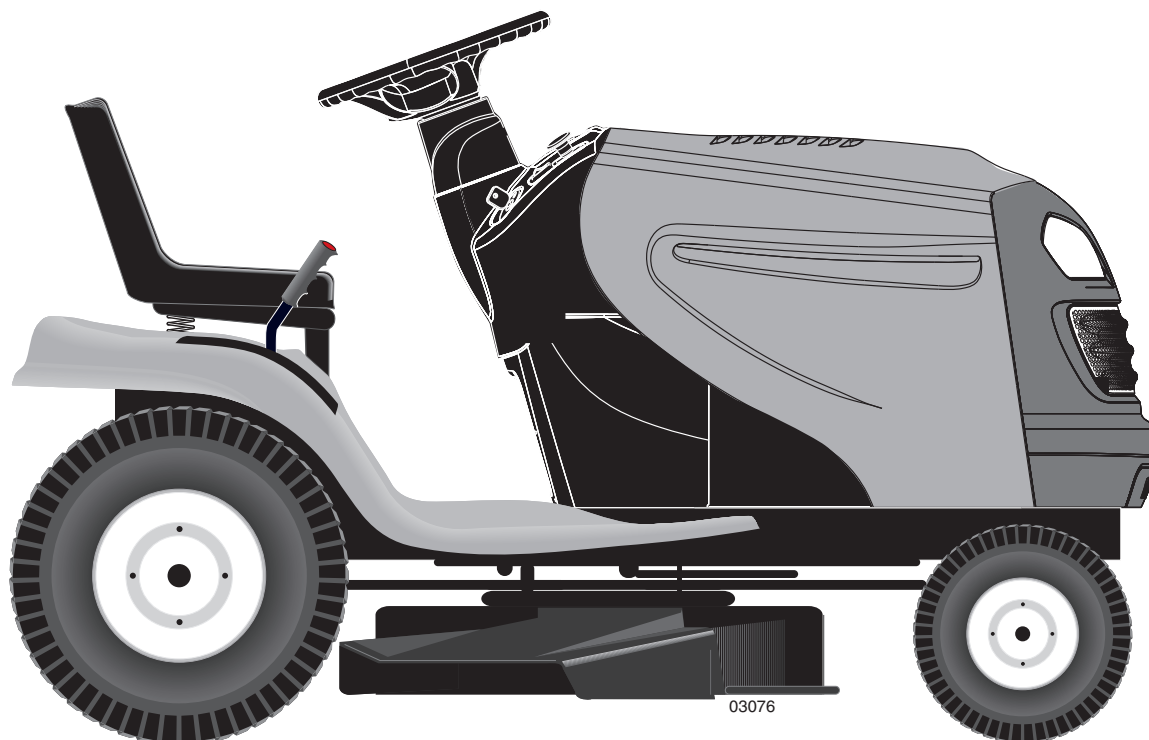


IMPORTANT MANUAL

DO NOT THROW AWAY

Poulan PRO



REPAIR PARTS MANUAL

MODEL:

PB195H42LT

LAWN TRACTOR

ALWAYS WEAR EYE PROTECTION DURING OPERATION

Visit our website: www.poulan-pro.com



WARNING:

Read this Manual and follow all Warnings and Safety Instructions. Failure to do so can result in serious injury.

HOW TO USE THIS MANUAL

This manual is designed to provide the customer with a means to identify the parts on his/her tractor when ordering repair parts. The illustrations may or may not represent the actual assemblies; therefore, it is not recommended to use this manual as a guide to assemble or disassemble the tractor. Some hardware and parts are drawn larger in order to more readily identify them.

Each tractor has its own model number.

The model number for your tractor can be found on the fender under the seat.

When ordering parts, always give the following information:

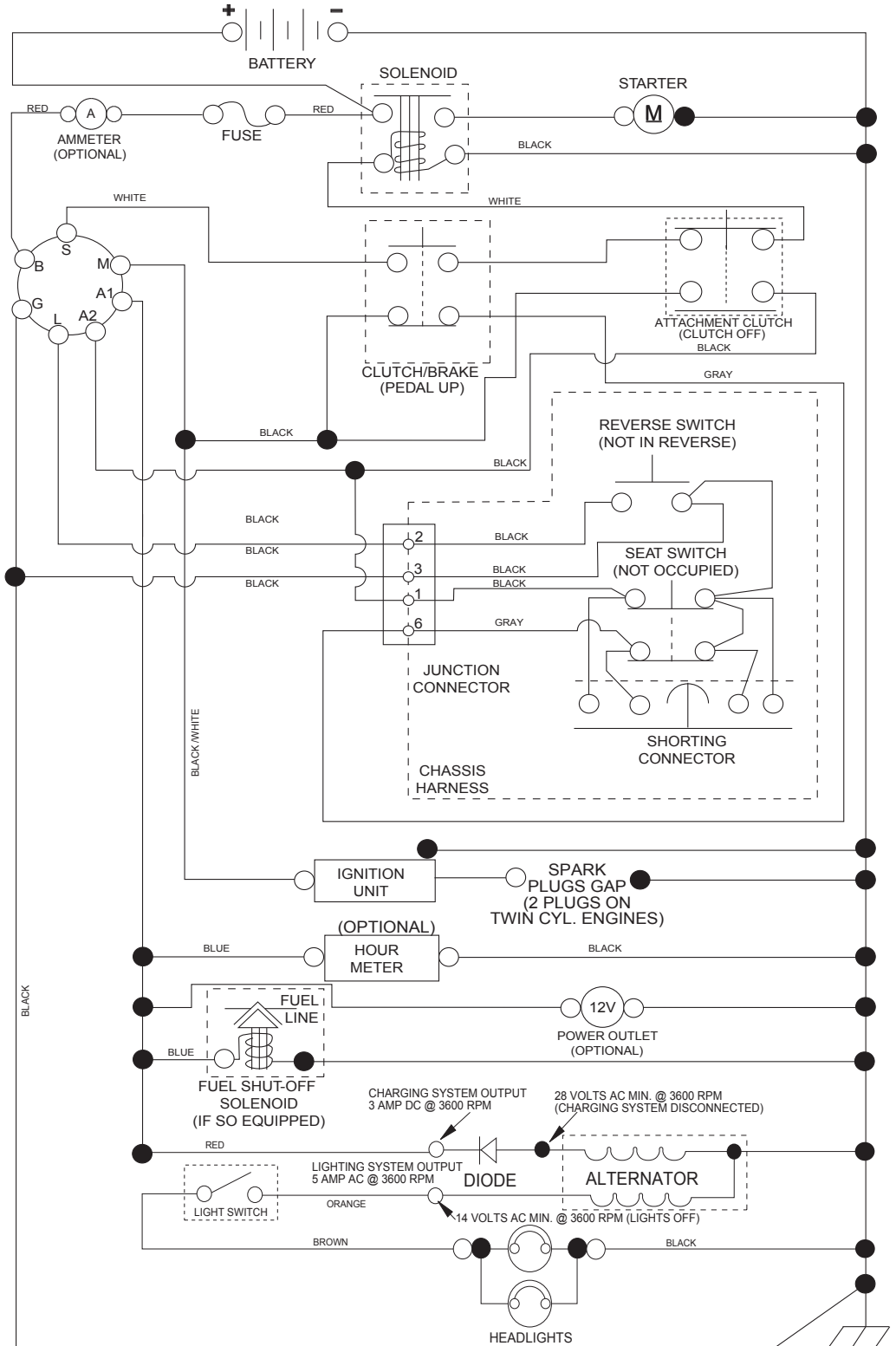
- Product - "TRACTOR"
- MODEL NUMBER - "PB195H42LT (96042003603)"
- Part Number
- Part Description

TABLE OF CONTENTS

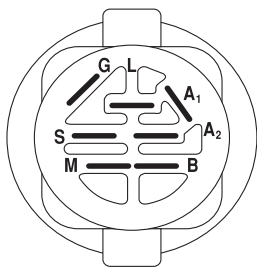
SCHEMATIC	3
ELECTRICAL.....	4-5
CHASSIS	6-7
DRIVE.....	8-9
ENGINE.....	10-11
STEERING	12
SEAT	13
MOWER DECK	14-15
MOWER LIFT.....	16
DECALS.....	17
WARRANTY.....	BACK COVER

TRACTOR - - MODEL NUMBER PB195H42LT (96042003603), PRODUCT NO. 960 42 00-36 SCHEMATIC

SCH11

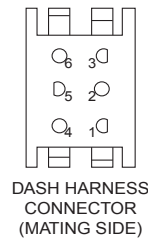
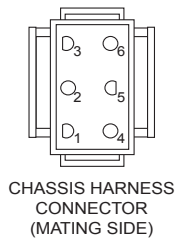


NOTE
YOUR TRACTOR IS EQUIPPED WITH A SPECIAL ALTERNATOR SYSTEM. THE LIGHTS ARE NOT CONNECTED TO THE BATTERY, BUT HAVE THEIR OWN ELECTRICAL SOURCE. BECAUSE OF THIS, THE BRIGHTNESS OF THE LIGHTS WILL CHANGE WITH ENGINE SPEED. AT IDLE THE LIGHTS WILL DIM. AS THE ENGINE IS SPEEDED UP, THE LIGHTS WILL BECOME THEIR BRIGHTEST.

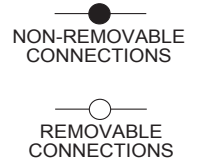


IGNITION SWITCH

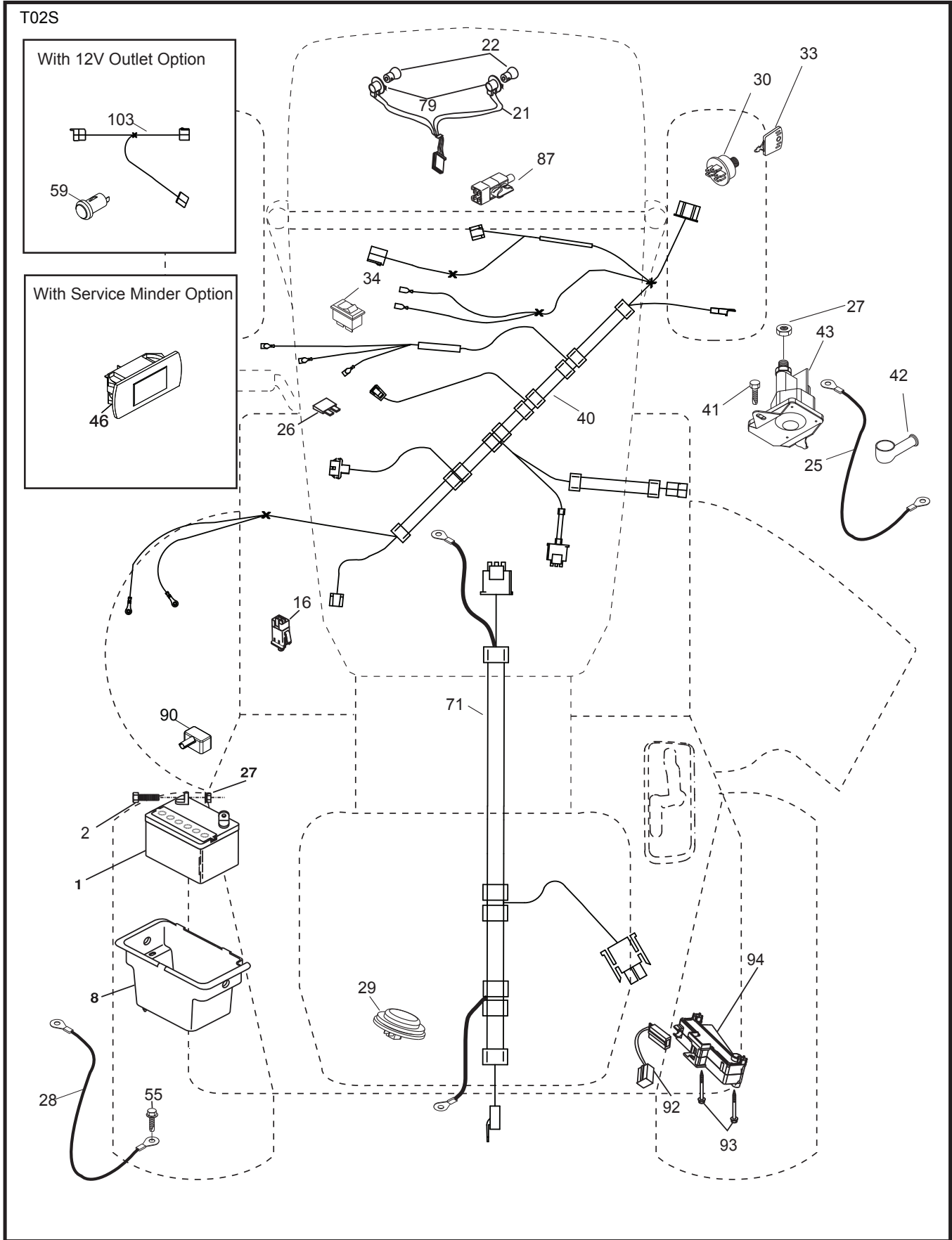
POSITION	CIRCUIT	"MAKE"
OFF	M+G+A1	
RUN/OVERRIDE	B+A1	
RUN	B+A1	L+A2
START	B+S+A1	



WIRING INSULATED CLIPS
NOTE: IF WIRING INSULATED CLIPS WERE REMOVED FOR SERVICING OF UNIT, THEY SHOULD BE RE-INSTALLED TO PROPERLY SECURE YOUR WIRING.



**TRACTOR - - MODEL NUMBER PB195H42LT (96042003603), PRODUCT NO. 960 42 00-36
ELECTRICAL**

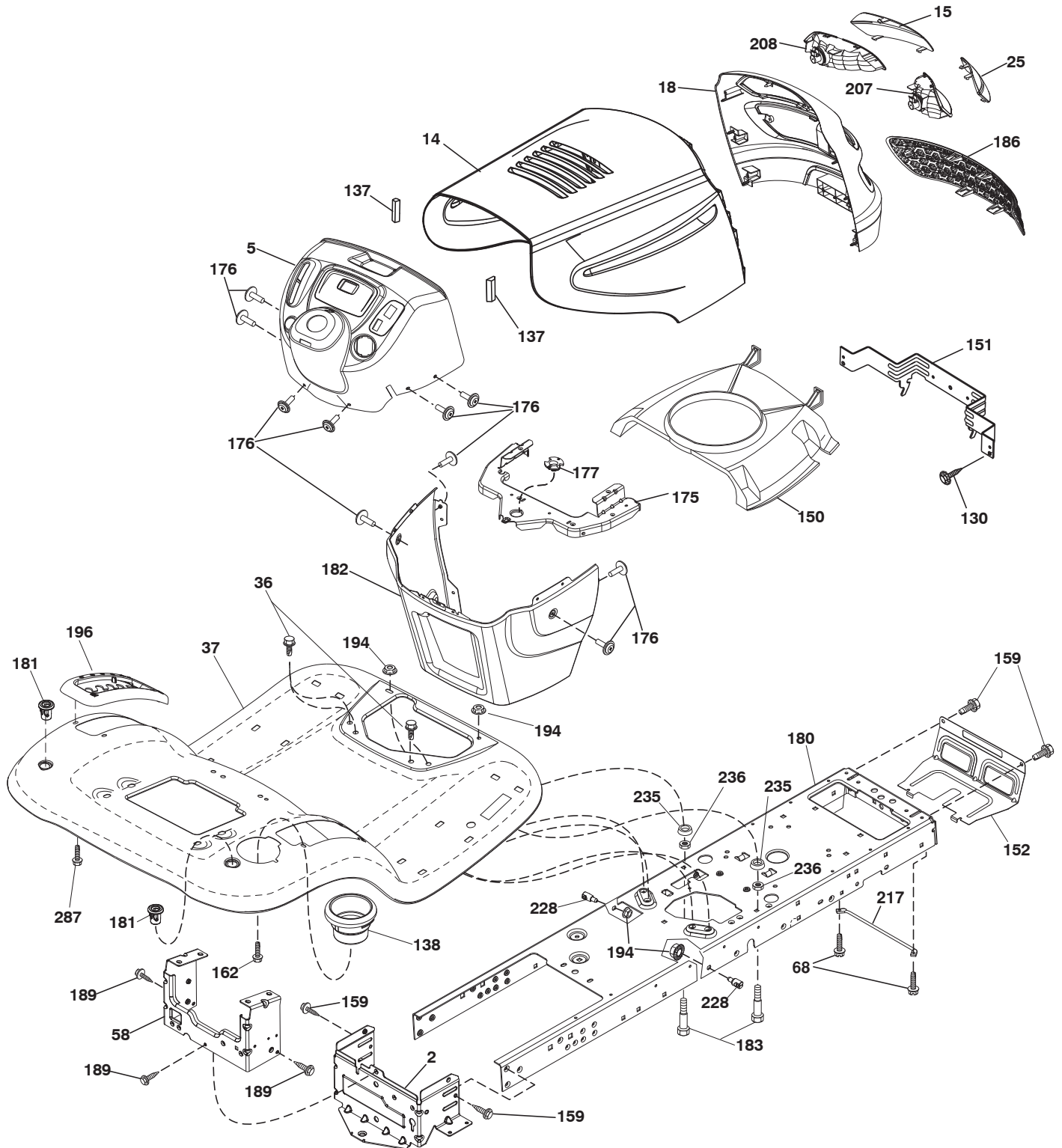


**TRACTOR - - MODEL NUMBER PB195H42LT (96042003603), PRODUCT NO. 960 42 00-36
ELECTRICAL**

KEY NO.	PART NO.	DESCRIPTION
1	163465	Battery
2	74760412	Bolt Hex Hd 1/4-20 unc x 3/4
8	193228	Box Battery
16	176138	Switch Interlock
21	183759	Harness Socket Light
22	4152J	Bulb, Light #1156
25	412894	Cable Battery
26	175158	Fuse
27	73510400	Nut Keps Hex 1/4-20 unc
28	198885	Cable Ground 18" Rear Battery Blk 6 Ga.
29	401545	Switch Seat
30	193350	Switch Ign
33	411935	Key/Chain
34	110712X	Switch Light/Reset
40	401098	Harness Ign
41	17720408	Screw 1/4-20 unc x 1/2
42	131563	Cover Terminal Red
43	192507	Solenoid
55	17060512	Screw 5/16-18 x 3/4
71	400449	Harness Ign. Chass.
79	175242	Socket Asm. Bulb Twistlock
87	197802	Switch Interlock Clutch Cable
90	400725	Cover Terminal
92	196615	Harness Pigtail Console ROS
93	192540	Screw Plastic 10-14 x 2.0
94	191834	Modual Reverse ROS

NOTE: All component dimensions given in U.S. inches
1 inch = 25.4 mm

**TRACTOR - - MODEL NUMBER PB195H42LT (96042003603), PRODUCT NO. 960 42 00-36
CHASSIS**



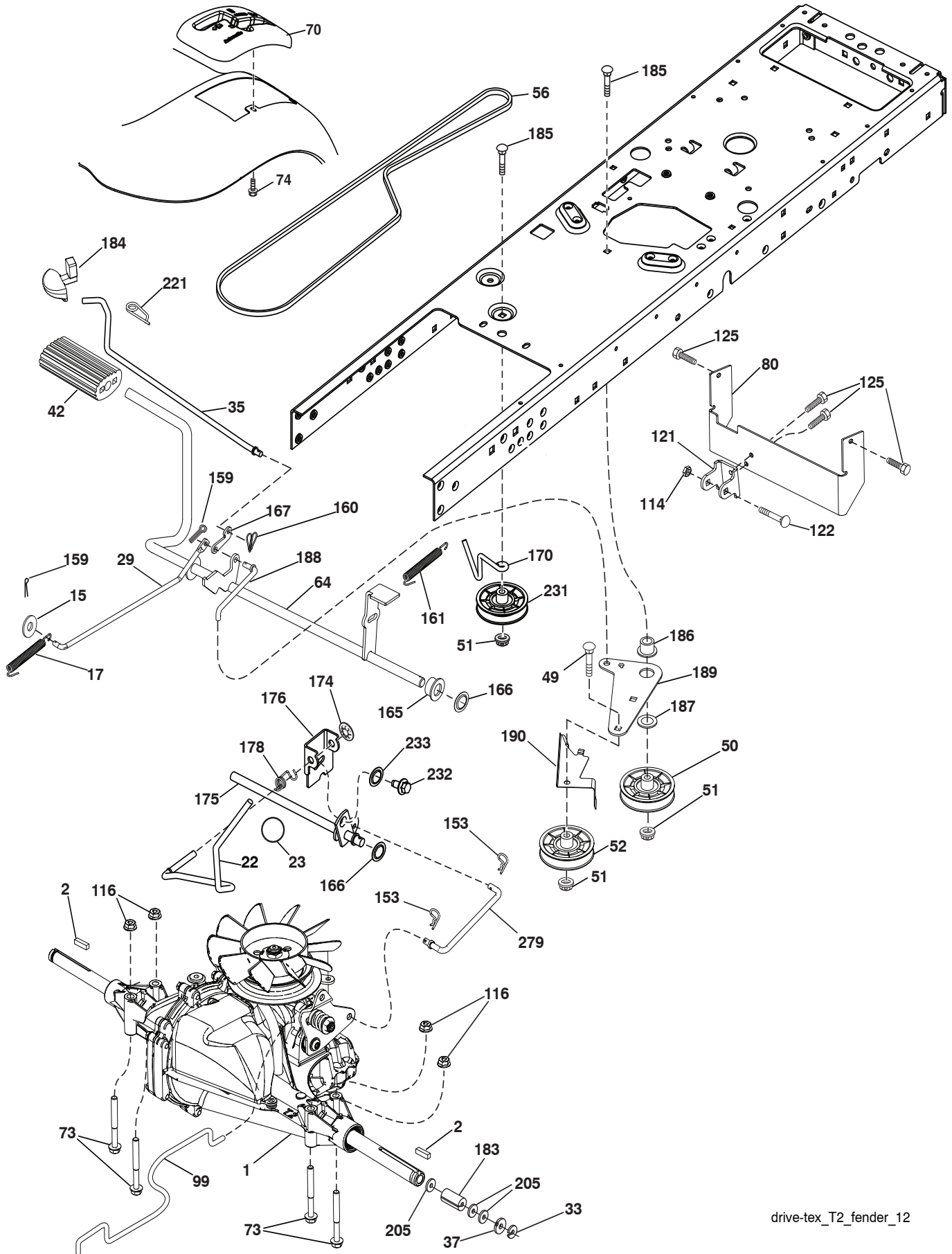
Chassis-tex_elite-sv-pro_11_r2

**TRACTOR - - MODEL NUMBER PB195H42LT (96042003603), PRODUCT NO. 960 42 00-36
CHASSIS**

KEY NO.	PART NO.	DESCRIPTION
2	412282	Drawbar, Upper
5	197783X428	Dash
14	183393X428	Hood
15	183834X599	Lens Grille LH
18	183828	Grille
25	183835X599	Lens Grille RH
36	17060512	Screw 5/16-18 x 3/4
37	414872X428	Fender
58	412282	Drawbar, Lower
68	17490508	Screw Thdrol 5/16-18 x 1/2
130	416358	Screw #10 x 0.750 ROS Thread
137	184921	Bumper Hood
138	193224X428	Cupholder
150	184322	Duct Heat Hood
151	407807	Bracket Pivot
152	194329	Shield Browning/Debris
159	17000612	Screw Hexwsh Thdrol 3/8-16 x 3/4
162	142432	Screw Hex Wsh Hi-Lo 1/4 x 1/2
175	193243	Crossmember
176	400776	Screw 10-24 x 5/8 Wshd Qdrx
177	195228	Bushing Steering
180	194260	Chassis
181	193102X428	Bushing Mtg. Fender Crgo.
182	193057	Dash Lower
183	74780520	Bolt Fin Hex 5/16-18 x 1-1/4
186	183829X428	Insert Grille
189	17000512	Screw 5/16-18 x 3/4
194	73900500	Nut Lock Hex Flange 5/16-18
196	414581	Console Asm. Deck Lift
207	183833	Bezel Grille RH
208	183832	Bezel Grille LH
217	409167	Rod Pivot Chassis
228	195161	Stud Fastener
235	406129	Spacer Fender
236	73930500	Nut center Lock 5/16-18
287	17600406	Screw Hex Washead 1/4-20 x 3/8

NOTE: All component dimensions given in U.S. inches
1 inch = 25.4 mm

TRACTOR - - MODEL NUMBER PB195H42LT (96042003603), PRODUCT NO. 960 42 00-36
DRIVE

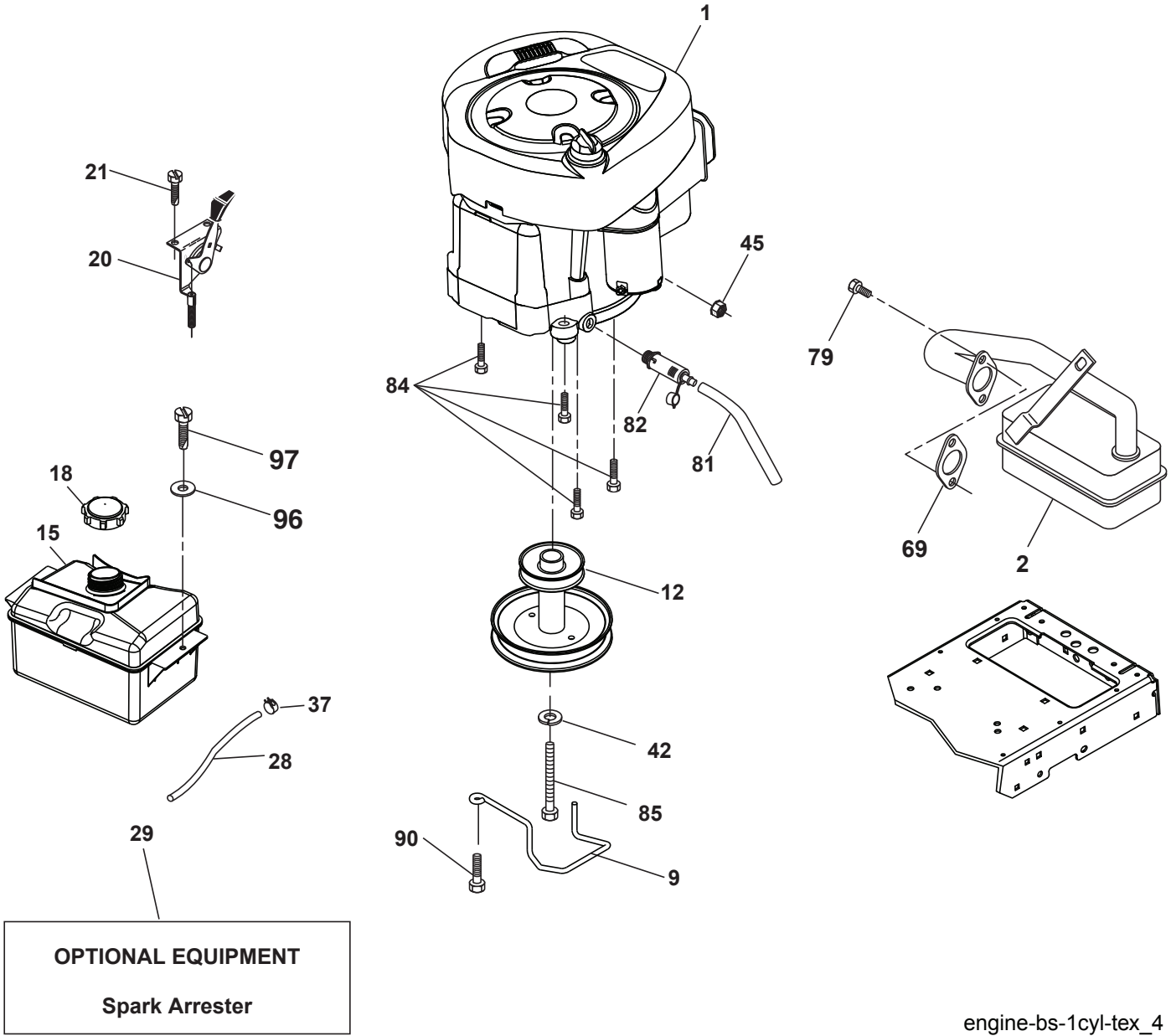


**TRACTOR - - MODEL NUMBER PB195H42LT (96042003603), PRODUCT NO. 960 42 00-36
DRIVE**

KEY NO.	PART NO.	DESCRIPTION	KEY NO.	PART NO.	DESCRIPTION
1	-----	Transaxle, Hydro Gear T2 (Internal Parts Not Available)	160	169484	Retainer Clip
2	123583X	Key Square	161	105709X	Spring, Return, Clutch
15	19131316	Washer 13/32 x 13/16 x 16 Ga.	165	196212	Bushing
17	197296	Spring, Brake	166	197290	Nut Push .625
22	197660	Rod Shift	167	405257	Latch Brake Parking
23	409154X421	Knob	170	413430	Keeper Belt Centerspan
29	408391	Rod, Brake	174	197289	Nut Push
33	12000001	Ring E	175	408539	Shaft Asm Shift
35	197722	Rod, Brake, Park	176	196214	Arm Clevis Rod Shift
37	121749X	Washer 25/32 x 1-1/4 x 16 Ga.	178	197456	Spring Shift
42	8883R	Cover, Foot Pedal	183	156972	Spacer Axle
49	72110614	Bolt	184	198403X505	Handle Parking Brake
50	194327	Pulley Idler Flat	185	72110622	Bolt
51	73900600	Lock Nut 3/8-16	186	194321	Spacer Retainer
52	194326	Idler V-Groove 910" Offset	187	19133210	Washer
56	125907X	V-Belt, Drive	188	194323	Link Clutch Ground Drive
64	196200	Shaft Asm. Pedal Brake Control	189	194317	Bellcrank Ground Drive
70	193220X428	Console	190	194318	Keeper Bellcrank Ground Drive
73	74490544	Bolt Hex 5/16-18 Gr. 5	205	121748X	Washer 25/32 x 1-5/8 x 16 Ga.
74	142432	Screw 1/4 x 1/2	221	403187	Retainer Spring Clip Handle
80	408393	Strap Torque	231	407287	Idler V-Groove 1.688" Offset
99	408418	Rod Spring Bypass	232	74780716	Bolt 7/16-14 x 1 Gr 5
114	73800500	Nut Lock 5/16-18 unc	233	405296	Washer Serrated
116	73900500	Nut Lock Hex Flange 5/16-18	279	408538	Link Shift
121	175611	Bracket Strap Torque			
122	72010520	Bolt 5/16-18 x 2.50			
125	17000512	Screw 5/16-18 x 3/4			
153	4497H	Retainer Spring 1"			
159	76020412	Pin Cotter 1/8 x 3/4			

NOTE: All component dimensions given in U.S. inches
1 inch = 25.4 mm

TRACTOR - - MODEL NUMBER PB195H42LT (96042003603), PRODUCT NO. 960 42 00-36
ENGINE



**TRACTOR - - MODEL NUMBER PB195H42LT (96042003603), PRODUCT NO. 960 42 00-36
ENGINE**

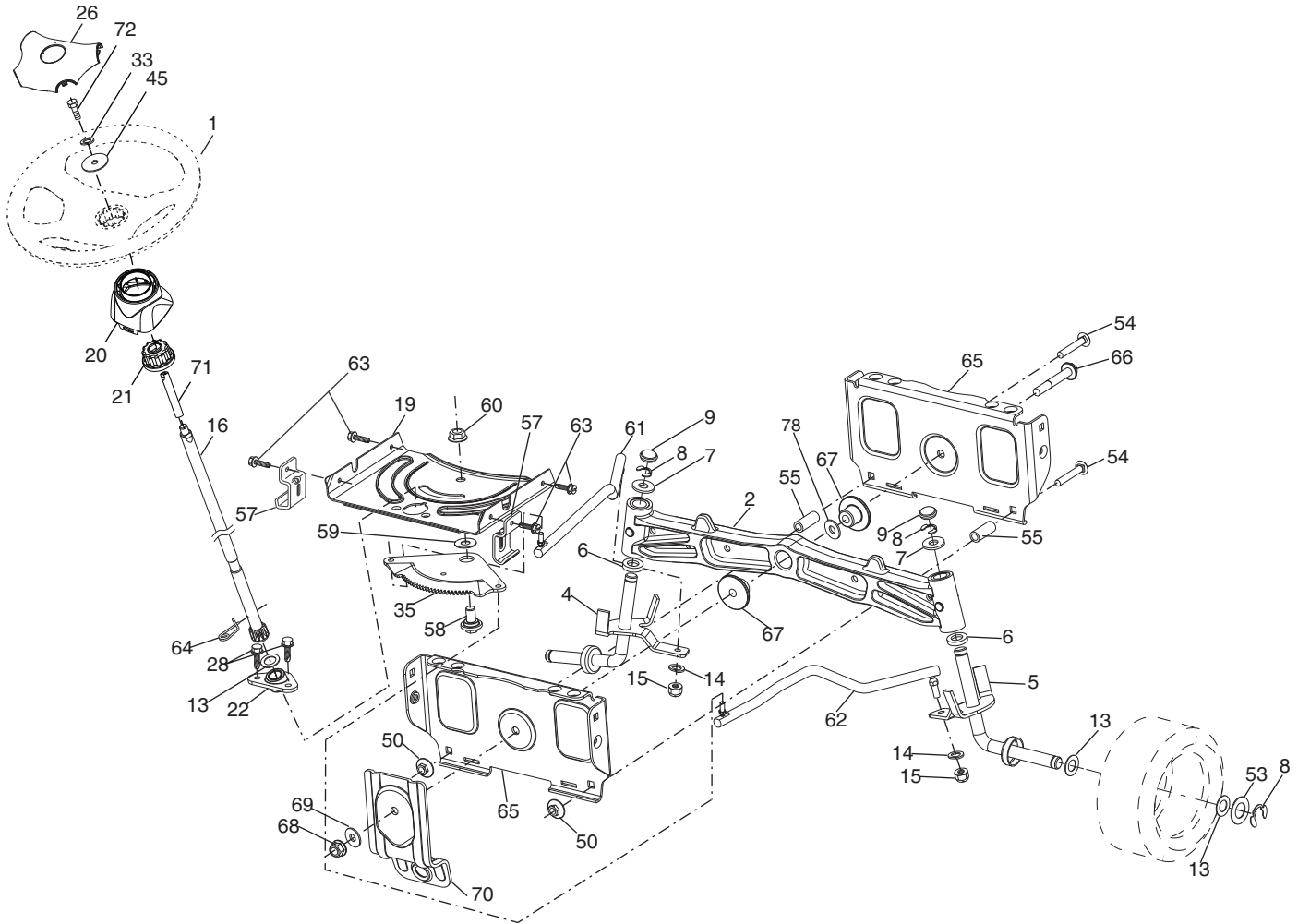
KEY NO.	PART NO.	DESCRIPTION
1	-----	Engine B&S Model No. 31P677
2	137352	Muffler
9	194319	Keeper Belt Engine
12	401985	Pulley Engine
15	407545	Tank Fuel 1.50
18	197725	Cap Asm
20	176636X421	Control Throttle/Choke
21	416358	Screw #10 x 0.750 BOS Thread
28	401137	Fuel Line
29	137180	Spark Arrester Kit
37	123487X	Clamp Hose
42	10040700	Washer Lock 7/16
45	73510400	Nut Keps Hex 1/4-20 unc
69	165291	Gasket
79	192334	Screw Socket Hd 5/16-18 x .75
81	148456	Tube Drain Oil Easy
82	181654	Plug Drain Oil
84	17060620	Screw 3/8-16 x 1-1/4
85	173937	Bolt Hex 7/16-20 x 4 x Gr. 5-1.5
90	17000616	Screw 3/8-16 x 1.0
96	19091416	Washer 9/32 x 7/8 x 16 Ga.
97	17670412	Screw 1/4 - 20 x 3/4

NOTE: All component dimensions given in U.S. inches
1 inch = 25.4 mm

Engine Power Rating Information

The gross power rating for individual gas engine models is labeled in accordance with SAE (Society of Automotive Engineers) code J11940 (Small Engine Power & Torque Rating Procedure), and rating performance has been obtained and corrected in accordance with SAE J1995 (Revision 2002-5). Actual gross engine power will be lower and is affected by, among other things, ambient operating conditions and engine-to-engine variability. Given both the wide array of products on which engines are placed and the variety of environmental issues applicable to operating the equipment, the gas engine will not develop the rated gross power when used in a given piece of power equipment (actual "on-site" or net horsepower). This difference is due to a variety of factors including, but not limited to, accessories (air cleaner, exhaust, charging, cooling, carburetor, fuel pump, etc.), application limitations, ambient operating conditions (temperature, humidity, altitude), and engine-to-engine variability. Due to manufacturing and capacity limitations, Briggs & Stratton may substitute an engine of higher rated power for this Series engine.

TRACTOR - - MODEL NUMBER PB195H42LT (96042003603), PRODUCT NO. 960 42 00-36
STEERING

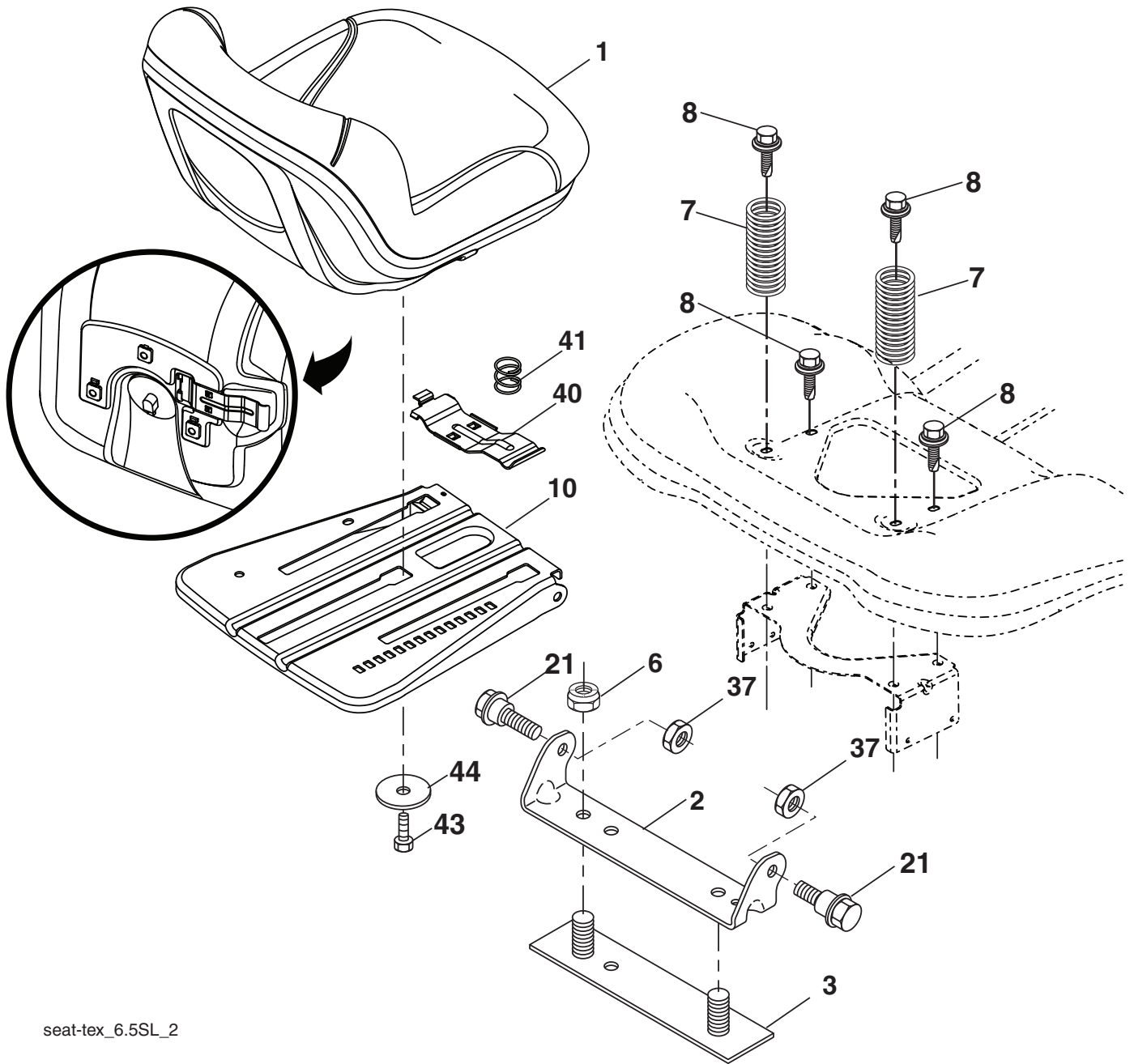


Steering-tex_LEGND2_12

KEY NO.	PART NO.	DESCRIPTION	KEY NO.	PART NO.	DESCRIPTION
1	414803X428	Wheel, Steering	54	74760636	Bolt Hex HS 3/8-16 unc x 2-1/4
2	184706	Axle Asm., Front	55	414736	Spacer Brace Axle
4	403087	Spindle Asm., LH	57	407465	Bracket Upstop
5	403088	Spindle Asm., RH	58	194747	Bolt Shoulder Sector Pivot CFM
6	6266H	Bearing, Race Thrust Harden	59	194748	Washer Thrust Sector Steering
7	121748X	Washer 25/32 x 1-5/8 x 16 Ga.	60	73971000	Nut Flange Lock 5/8-11
8	12000029	Ring, Clip #T5304-75	61	194740	Draglink, LH
9	121232X	Cap, Spindle	62	194741	Draglink, RH
13	121749X	Washer 25/32 x 1-1/4 x 16 Ga.	63	17000512	Screw 5/16-18 x 3/4
14	10040600	Washer Lock 3/8	64	199849	Retainer Clip Spring Steering
15	73540600	Nut, Crown Lock 3/8-24 unf	65	194734	Brace Axle Front
16	408220	Shaft Steering	66	71020748	Bolt Hex Fghd 7/16-14 x 3 Serr
19	194729	Plate Steering	67	194737	Bushing PM Front Axle
20	198375X428	Boot, Steering	68	73900700	Nut Lock Flange 7/16-14 Gr. 5
21	186737	Adapter, Wheel Steering	69	199162	Washer 1.5 x .505 x .118
22	194845	Bushing, Strg. Blk	70	196197	Bracket Deck Susp. Front
26	414854X428	Insert, Wheel Steering	71	196075	Shaft Ext. Steering
28	17000612	Screw 3/8-16 x 3/4	72	74780572	Bolt 5/16-18 x 4.5 Gr. 5
33	10040500	Washer Lock 5/16	78	57079	Washer Thrust .515 x .750 x .033
35	194732	Gear, Sector Plate			
45	19113812	Washer 11/32 x 2-3/8 x 12 Ga.			
50	73900600	Nut Lock Flg 3/8-16 unc			
53	188967	WasherHardened.793x1.637x.060			

NOTE: All component dimensions given in U.S. inches
 1 inch = 25.4 mm

TRACTOR - - MODEL NUMBER PB195H42LT (96042003603), PRODUCT NO. 960 42 00-36 SEAT

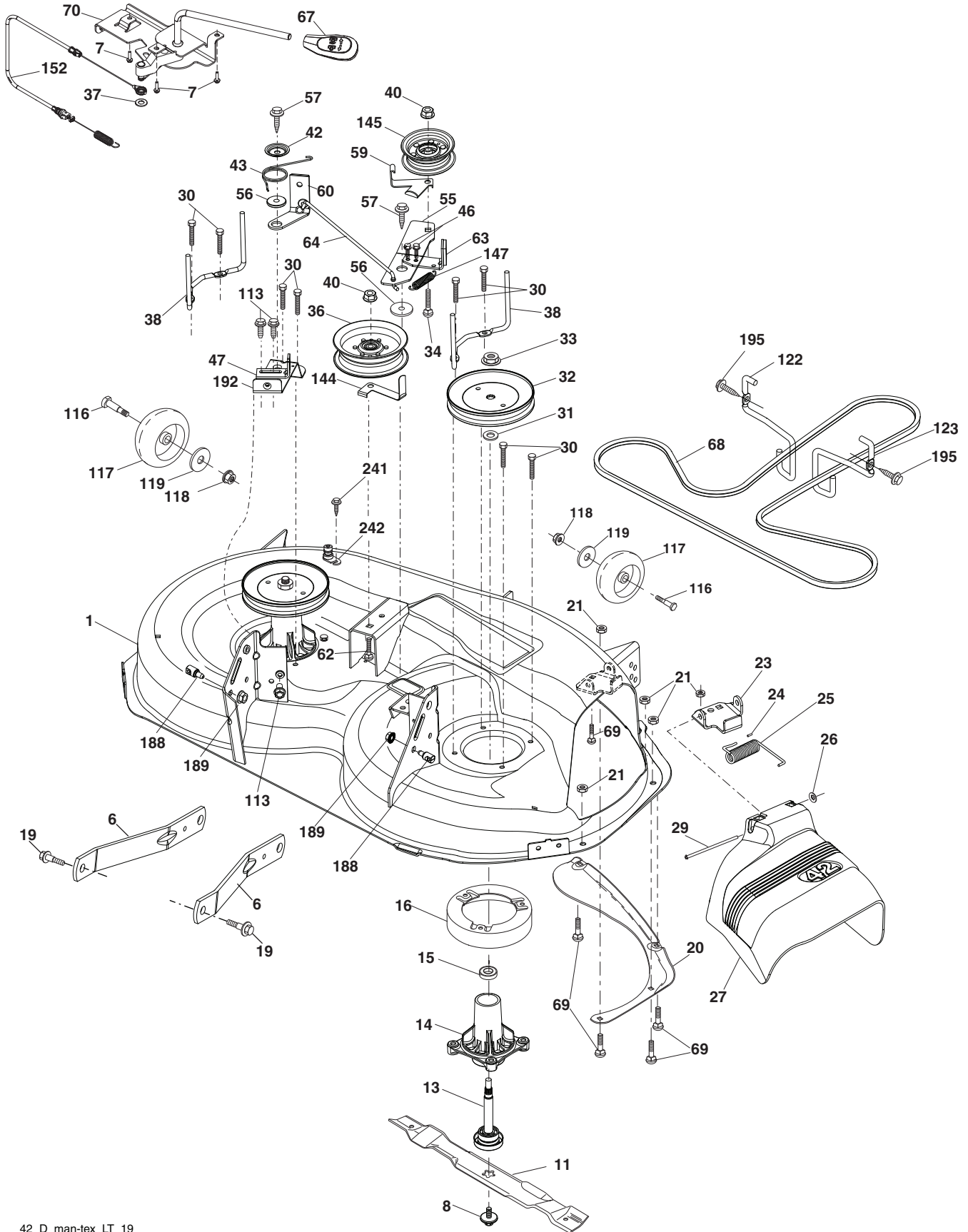


seat-tex_6.5SL_2

KEY NO.	PART NO.	DESCRIPTION	KEY NO.	PART NO.	DESCRIPTION
1	406623	Seat	37	73800500	Nut, Lock 5/16-18 unc
2	180166	Bracket Pivot Fender	40	197661	Handle Slide
3	140675	Strap, Asm Fender	41	198200	Spring Latch
6	73800600	Nut, Lock w/Ins. 3/8-16 unc	43	74760612	Bolt 3/8-16 unc x 3/4
7	124181X	Spring, Seat Cprsn	44	19133812	Washer 13/32 x 2 3/8 x 12 Ga.
8	171877	Bolt 5/16-18 unc x 3/4 w/Sems			
10	196977	Pan, Seat			
21	171852	Bolt, Shoulder 5/16-18			

NOTE: All component dimensions given in U.S. inches
1 inch = 25.4 mm

TRACTOR - - MODEL NUMBER PB195H42LT (96042003603), PRODUCT NO. 960 42 00-36
MOWER DECK

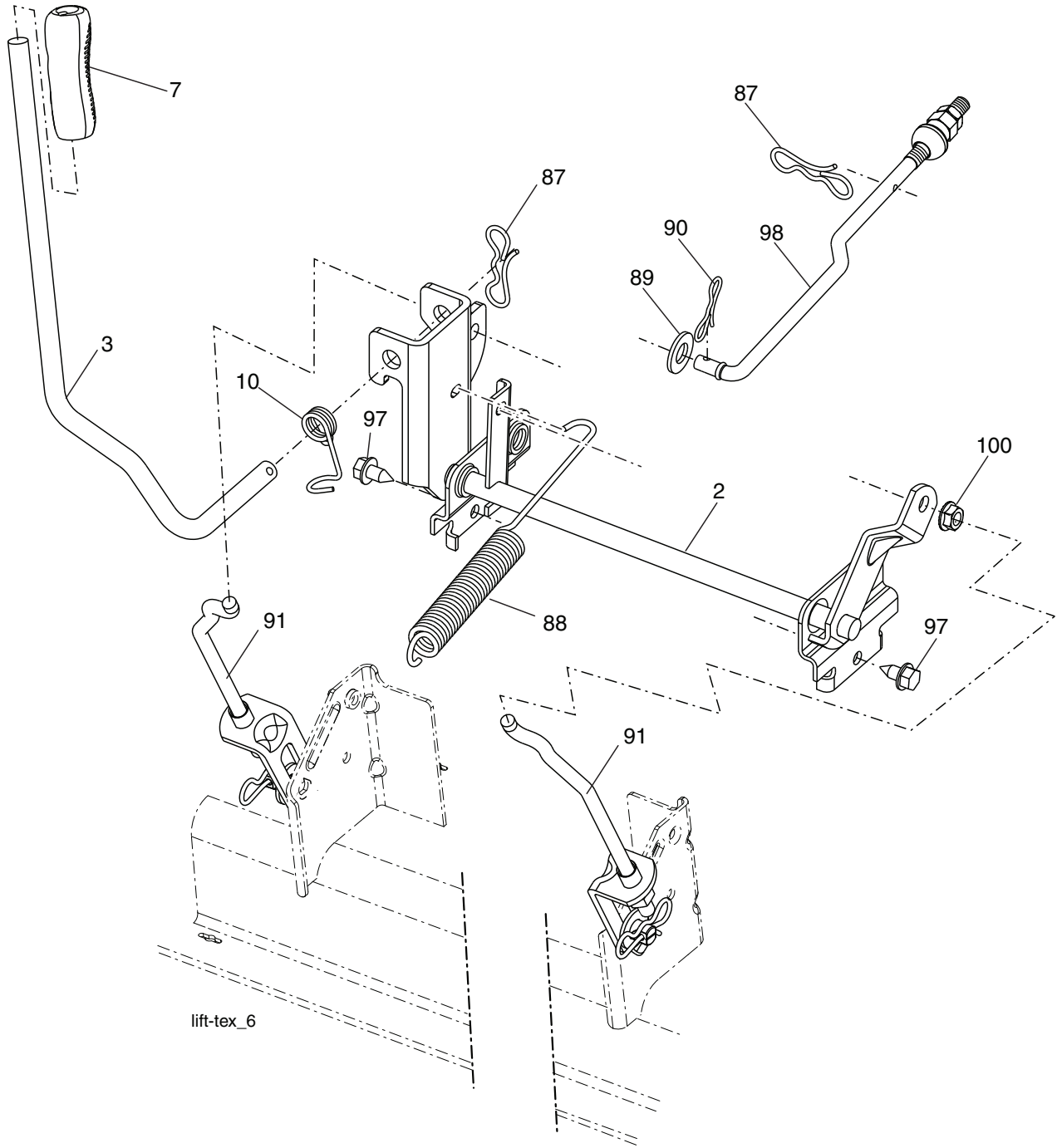


**TRACTOR - - MODEL NUMBER PB195H42LT (96042003603), PRODUCT NO. 960 42 00-36
MOWER DECK**

KEY NO.	PART NO.	DESCRIPTION	KEY NO.	PART NO.	DESCRIPTION
1	196495	Mower Housing	56	199092	Spacer, Retainer
6	195186	Arm Suspension	57	17000616	Screw Hexwsh Thd 3/8-16 x 1
7	416358	Screw #10 x 0.750 BOS Thread	59	141043	Guard, Tuv Idler (94)
8	193003	Bolt/Washer Asm 7/16-20 unf	60	197261	Arm Brake Mower
--	139775	Blade, 42" Mulching Premium (For better wear when mulching)	62	72110616	Bolt Rdhd Sqnk 3/8-16 unc x 2
11	138971	Blade, 42" Hi-Lift (For bagging or discharge)	63	199477	Arm Brake Mower
--	134149	Blade, 42" Mulching Std (For mulching mowers only)	64	199790	Linkage Brake
13	192872	Shaft Assembly, Mandrel	67	198398X421	Handle, Clutch Cable
14	187281	Housing, Mandrel	68	197253	V-Belt
15	110485X	Bearing, Ball, Mandrel	69	72140505	Bolt Rdhd Sqnk 5/16-18 x 5/8
16	174493	Stripper, Mower Deck	70	198332	Clutch Asm. Manual
19	196539	Bolt, Shoulder	113	17000510	Screw 5/16-18
20	159770	Baffle, Vortex	116	4898H	Bolt
21	73680500	Nut, Crownlock 5/16-18 unc	117	188606	Wheel Gauge
23	192557	Bracket, Deflector	118	73930600	Nut Lock 3/8-16 unc
24	105304X	Cap, Sleeve	119	19121414	Washer 3/8-7/8 x 14 Ga.
25	197026	Spring, Torsion, Deflector	122	197258	Keeper Belt Eng. LH
26	110452X	Nut, Push	123	197259	Keeper Belt Eng. RH
27	193108X428	Shield, Deflector	144	199204	Keeper Belt
29	131491	Rod, Hinge	145	193197	Pulley Idler Primary
30	173984	Screw Thdrol Rolling Wsh Hd	147	401971	Spring Return
31	187690	Washer, Spacer	152	408714	Cable Clutch Manual w/Spr.
32	197473	Pulley, Mandrel	188	195161	Stud Fastener
33	400234	Nut, Toplock, Flanged	189	73900500	Nut Lock Hex Flange
34	72110612	Bolt Carr Sh. 3/8-16 x 1-1/2 Gr. 5	192	197260	Bracket Brake Stand LH
36	197379	Pulley, Idler 4.50 RAW	195	17000612	Screw Hexwsh Thdr 3/8-16 x 3/4
37	19131316	Washer 13/32 x 13/16 x 16 Ga.	241	152927	Vis
38	199189	Keeper Belt LH Mandrel	242	415598	Port, Washout
40	73900600	Nut, Lock Flg. 3/8-16 unc	--	192870	Mandrel Assembly (Includes housing, shaft assembly, and bearing only - pulley/nut/washer and blade bolt/washers not included)
42	197256	Spring Torsion Retainer	--	199608	Replacement Mower, Complete
43	198410	Spring Torsion Brake			
46	137729	Screw Thd Roll 1/4-20 x 5/8			
47	197250	Bracket Clutch Cable			
55	197249	Arm, Idler			

NOTE: All component dimensions given in U.S. inches
1 inch = 25.4 mm

**TRACTOR - - MODEL NUMBER PB195H42LT (96042003603), PRODUCT NO. 960 42 00-36
MOWER LIFT**

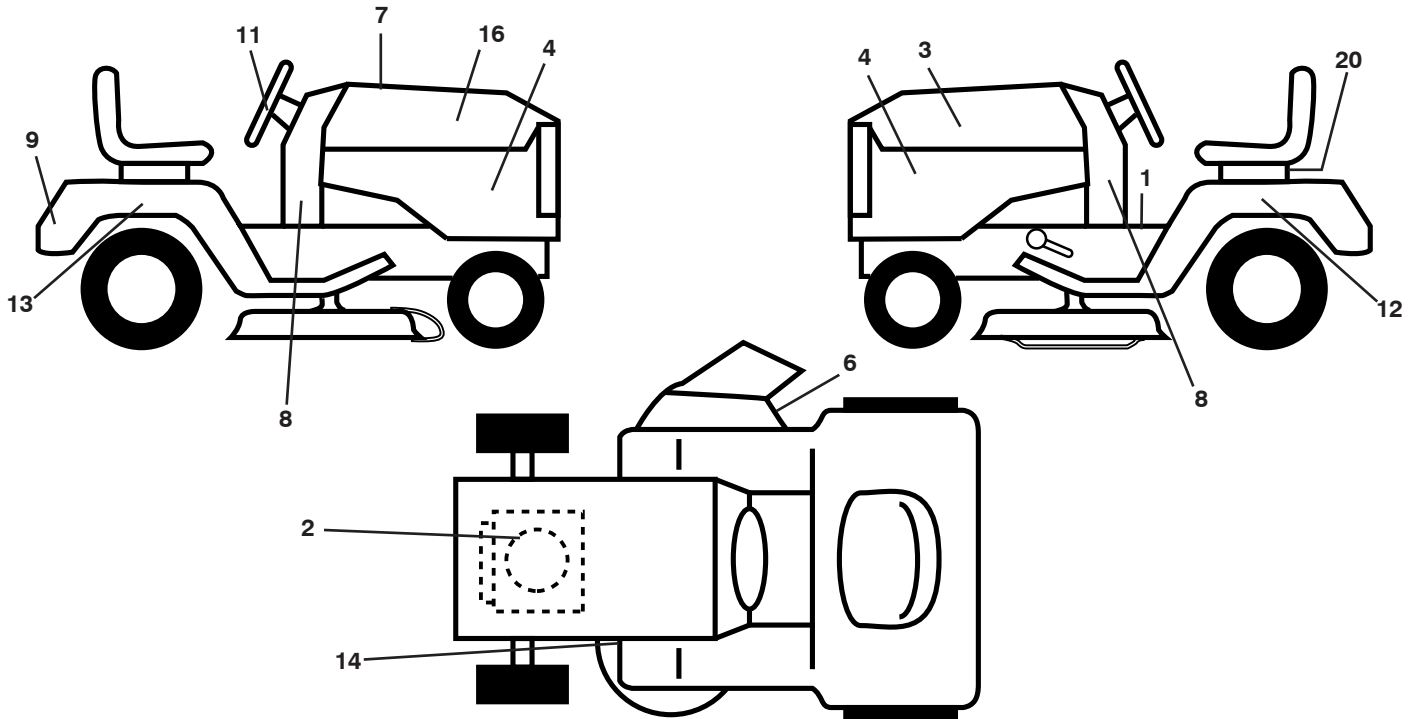


KEY NO.	PART NO.	DESCRIPTION
2	195223	Shaft Asm., Lift
3	195231	Lever Asm., Lift RH
7	196492X421	Grip, Lever
10	196314	Spring Torsion
87	194209	Pin Cotter 7/16 Bow Tie Lock
88	410710	Spring Lift Assist
89	19191912	Washer Clear Zinc
90	194208	Pin Cotter 5/16 Bow Tie Lock

KEY NO.	PART NO.	DESCRIPTION
91	195181	Link Lift Susp Mower Rear
97	17000612	Screw 3/8-16 x .75
98	195270	Link Lift Susp. Front Mower
100	73930600	Nut Lock 3/8-16 unc

NOTE: All component dimensions given in U.S. inches
1 inch = 25.4 mm

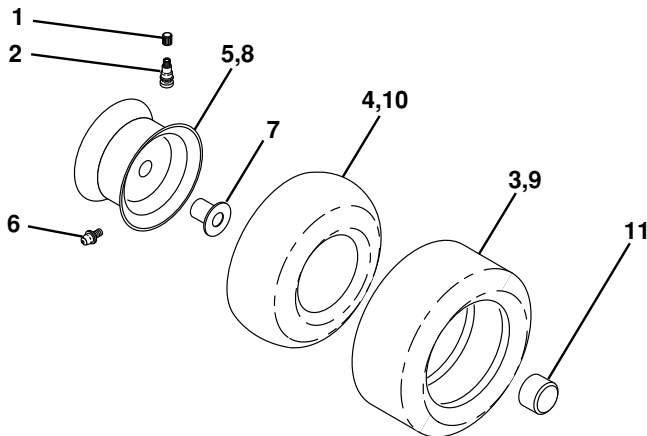
**TRACTOR - - MODEL NUMBER PB195H42LT (96042003603), PRODUCT NO. 960 42 00-36
DECALS**



KEY NO.	PART NO.	DESCRIPTION
1	411658	Decal Fender Warning
2	408834	Decal Engine H.P.
3	186164	Decal Hood LH
4	408794	Decal Side Panel
6	170563	Decal Warning, Keep Hand Away
7	411629	Decal Replacement Parts
8	411175	Decal LWRDASH
9	172740	Decal Fender Logo
11	423398	Decal Ins Strg Whl
12	408948	Decal Fender SD RH

KEY NO.	PART NO.	DESCRIPTION
13	408949	Decal Fender SD LH
14	160396	Decal V-Belt Schematic
16	186163	Decal Hood RH
20	145005	Decal Bat Dan/Psn
--	193226X428	Pad Footrest LH
--	193277X428	Pad Footrest RH
--	166960	Decal Bypass
--	411287	Manual Operator's E&F
--	423312	Manual Parts

WHEELS AND TIRES



KEY NO.	PART NO.	DESCRIPTION
1	59192	Cap Valve Tire
2	65139	Stem Valve
3	106222X	Tire F T 15 x 6 0 - 6
4	59904	Tube Front
5	106732X421	Rim Asm 6" Front
6	278H	Fitting Grease (Front Wheel Only)
7	9040H	Bearing Flange (Front Wheel Only)
8	106108X421	Rim Asm 8" Rear
9	106268X	Tire R T 18 x 9.5-8 Turf Saver
--	420531	Tire R T 18 x 9.5-8 Turf Saver LT
10	7152J	Tube Rear
11	104757X421	Cap Axle
--	144334	Sealant, Tire (10 oz. Tube)

NOTE: All component dimensions given in U.S. inches
1 inch = 25.4 mm

LIMITED WARRANTY

The Manufacturer warrants to the original consumer purchaser that this product as manufactured is free from defects in materials and workmanship. For a period of two (2) years from date of purchase by the original consumer purchaser, we will repair or replace, at our option, without charge for parts or labor incurred in replacing parts, any part which we find to be defective due to materials or workmanship. This Warranty is subject to the following limitations and exclusions.

1. This warranty does not apply to the engine, transaxle/transmission components, battery (except as noted below) or components parts thereof. Please refer to the applicable manufacturer's warranty on these items.
2. Transportation charges for the movement of any power equipment unit or attachment are the responsibility of the purchaser. Transportation charges for any parts submitted for replacement under this warranty must be paid by the purchaser unless such return is requested by the manufacturer.
3. Battery Warranty: On products equipped with a Battery, we will replace, without charge to you, any battery which we find to be defective in manufacture, during the first ninety (90) days of ownership. After ninety (90) days, we will exchange the Battery, charging you 1/12 of the price of a new Battery for each full month from the date of the original sale. Battery must be maintained in accordance with the instructions furnished.
4. The Warranty period for any products used for rental or commercial purposes is limited to 90 days from the date of original purchase.
5. This Warranty applies only to products which have been properly assembled, adjusted, operated, and maintained in accordance with the instructions furnished. This Warranty does not apply to any product which has been subjected to alteration, misuse, abuse, improper assembly or installation, delivery damage, or to normal wear of the product.
6. Exclusions: Excluded from this Warranty are belts, blades, blade adapters, normal wear, normal adjustments, standard hardware and normal maintenance.
7. In the event you have a claim under this Warranty, you must return the product to an authorized service dealer.

Should you have any unanswered questions concerning this Warranty, please contact:

HOP
Outdoor Products Customer Service Dept.
1030 Stevens Creek Road
Augusta, GA 30907 USA

In Canada contact:
HOP
5855 Terry Fox Way
Mississauga, Ontario
L5V 3E4

giving the model number, serial number and date of purchase of your product and the name and address of the authorized dealer from whom it was purchased.

THIS WARRANTY DOES NOT APPLY TO INCIDENTAL OR CONSEQUENTIAL DAMAGES AND ANY IMPLIED WARRANTIES ARE LIMITED TO THE SAME TIME PERIODS STATED HEREIN FOR OUR EXPRESSED WARRANTIES. Some areas do not allow the limitation of consequential damages or limitations of how long an implied Warranty may last, so the above limitations or exclusions may not apply to you. This Warranty gives you specific legal rights, and you may have other rights which vary from locale to locale.

This is a limited Warranty within the meaning of that term as defined in the Magnuson-Moss Act of 1975.

Poulan PRO

Poulan PRO

GARANTIE LIMITÉE

Le Fabricant garantit à l'acheteur initial que son produit tel que manufacturé est libre de défaut de matière et d'ouvrage. Pendant deux (2) ans, à compter de la date d'achat de la part de l'acheteur initial, nous réparerons ou remplacerons à notre choix, gratuitement, toute pièce, sur laquelle nous estimerons qu'il existe un défaut de matière ou d'ouvrage. Cette garantie est soumise aux limitations et exceptions suivantes:

1. Cette garantie ne couvre pas le moteur, la transmission/composants, la batterie (sauf comme mentionnée ci-dessous) ou les pièces détachées. Veuillez-vous consulter la garantie applicable du fabricant des articles.

2. L'acheteur est responsable des frais de transport de tous les équipements actionnés par moteur ou les accessoires. L'acheteur est responsable des frais aussi de transport de toutes les pièces (couvertes par cette garantie) soumis pour le remplacement à moins que manufacturé demande à l'acheteur de renvoyer les pièces.

3. Garantie de la batterie: Pour les produits équipés d'une batterie, nous remplacerons, gratuitement, toute batterie estimée défectueuse pendant les quatre-vingt-dix (90) jours initiaux suivant l'achat. Après quatre-vingt-dix (90) jours, nous échangeons la batterie, le coût pour vous être 1/12 du prix d'une nouvelle batterie pour chaque mois complet à compter de la date d'achat initiale. La batterie doit être entretenue selon les directives données dans la documentation approuvée.

4. La période de garantie applicable aux produits proposés en location ou à des fins commerciales est limitée à quatre-vingt-dix (90) jours à compter de la date d'achat initiale.

5. Cette garantie ne s'applique qu'aux produits correctement montés, réglés, utilisés et entretenus conformément aux instructions données dans la documentation approuvée. Cette garantie ne s'applique pas aux produits qui ont été modifiés, utilisés incorrectement, abusés, mal installés ou avariés lors de la livraison ou usage normal.

6. Exclusions: Les courroies, les lames, les adaptateurs de lame, l'usage normal, les réglages normaux, la visserie standard, et l'entretien normal sont exclus de cette garantie.

7. En cas de problème entrant dans le cadre de cette garantie, veuillez-vous retourner votre machine à un concessionnaire autorisé.

Si vous auriez aucune question sans réponse concernant cette garantie, s'il vous plaît contactez:

HOP
Outdoor Products Customer Service Dept.
1030 Stevens Creek Road
Augusta, GA 30907 USA

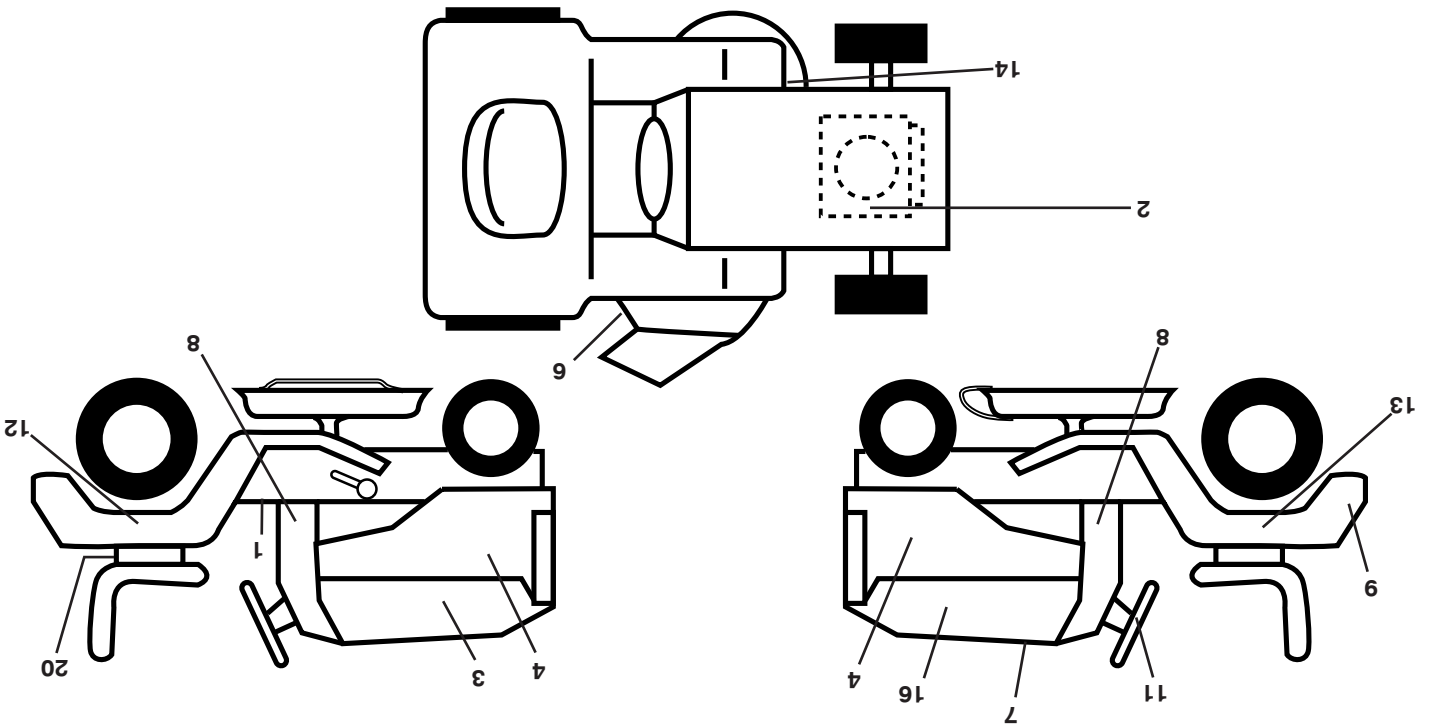
Au Canada:
HOP
5855 Terry Fox Way
Mississauga, Ontario
L5V 3E4

en nous donnant le numéro du modèle, le numéro de série, la date d'achat de votre machine ainsi que l'adresse du concessionnaire autorisé chez qui vous l'avez achetée.

CETTE GARANTIE NE COUVRE AUCUN DOMMAGE INCIDENTEL OU CONSÉQUENT ET TOUTE GARANTIE IMPLICITE EST LIMITÉE AUX MÊMES PÉRIODES PRÉCISÉES ICI POUR LES GARANTIES EXPLICITES DU FABRICANT. Certaines localités ne permettent aucune restriction des dommages consécutifs ou de la durée d'une garantie implicite et; par conséquent, il se pourrait que les restrictions et exclusions énoncées ci-dessus ne s'appliquent pas à vous. Cette garantie vous donne droits légaux spécifiques et vous pouvez aussi avoir d'autres droits d'un endroit à un autre.

Cette garantie est une garantie limitée comme définie dans la loi Magnuson-Moss Act de 1975.

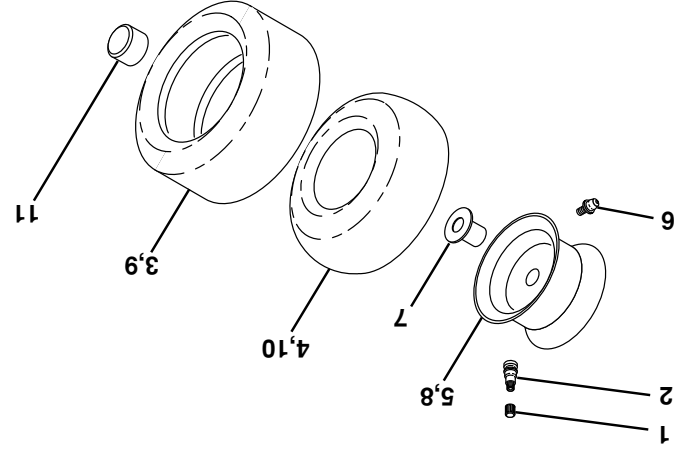
DÉCALCOMANIE



NO. DE DÉ	REF. PIÈCE	DESCRIPTION
13	408949	Décalcomanie de Pare-chocs SD C.G.
14	160396	Décalcomanie de la courroie rapézoïdale
16	186163	Décalcomanie du capot
20	145005	Décalcomanie de danger/poison de la batterie
--	166960	Décalcomanie
--	193226X428	Coussin d' repose-pied C.G.
--	193277X428	Coussin d' repose-pied C.D.
--	411287	Manuel du propriétaire (anglais/français)
--	423312	Manuel de pièces

NO. DE DÉ	REF. PIÈCE	DESCRIPTION
1	41658	Décalcomanie avertissement du alle
2	408834	Décalcomanie du moteur H.P.
3	186164	Décalcomanie du capot
4	408794	Décalcomanie du panneau latéral
6	170563	Décalcomanie d'avertissement
7	411629	Décalcomanie de 8 411175 Décalco-
9	172740	manie de LWRDASH
11	423398	Décalcomanie de l'aile Husqvarna
12	408948	Décalcomanie de Pare-chocs SD C.D.

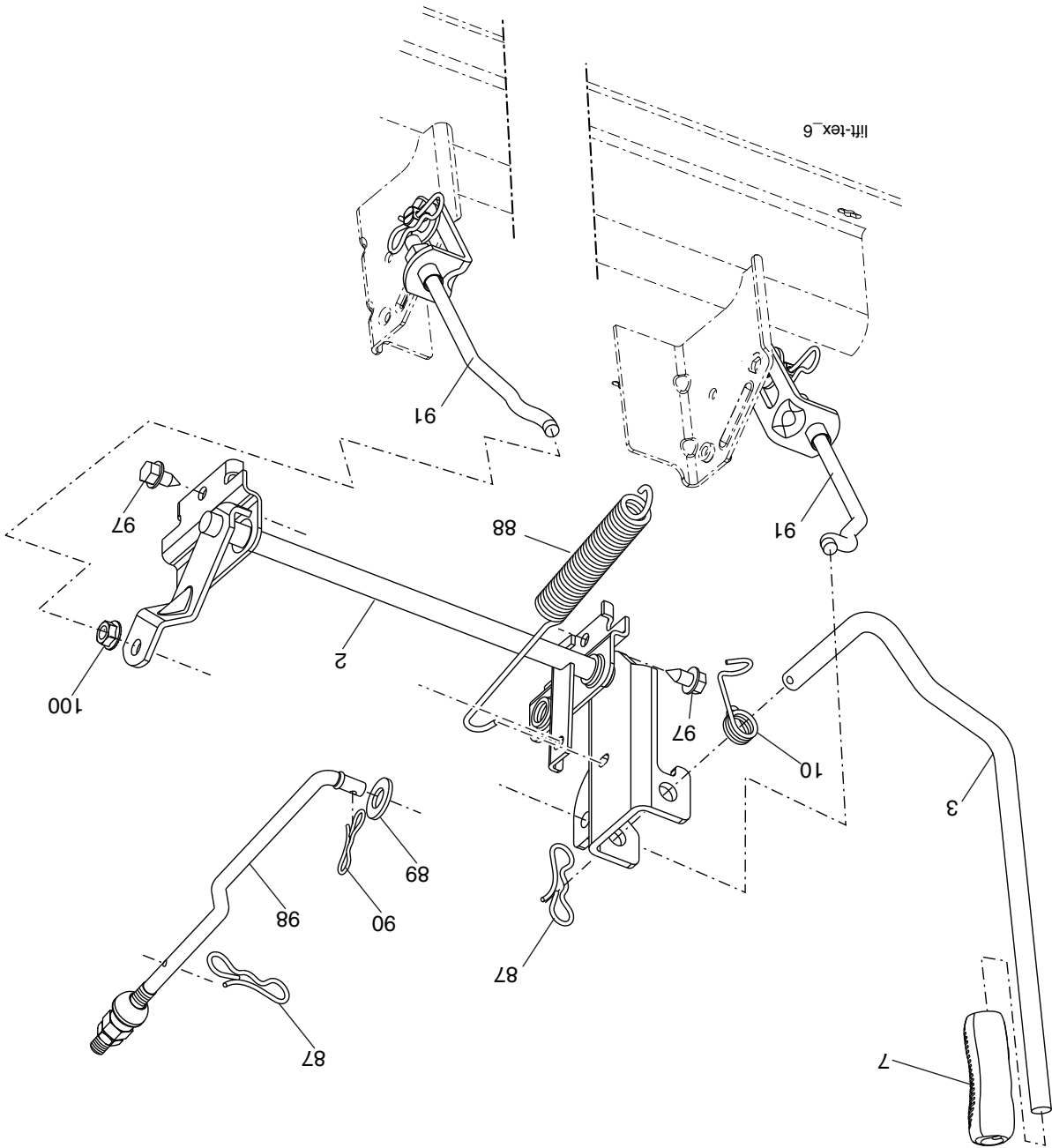
ROUES & PNEUS



NO. DE DÉ	REF. PIÈCE	DESCRIPTION
1	59192	Capuchon de la valve du pneu
2	65139	Tubulure de la valve
3	106222X	Pneu antérieur 15 x 6 0 - 6
4	59904	Chambre à air antérieure
5	106732X421	Ensemble de la jante antérieure de 6"
6	278H	Graisneur (roue antérieure seulement)
7	9040H	Palier à bride (roue antérieure seulement)
8	106108X421	Ensemble de la jante arrière de 8"
9	106268X	Pneu arrière R T 18 x 9,5-8 Turf Saver
10	7152J	Pneu arrière R T 18 x 9,5-8 Turf Saver LT
11	104757X421	Chambre à air arrière
--	144334	Joint d'étanchéité de pneu (tube de .30L [10 oz. Tube])

REMARQUE: Toutes les dimensions de composant sont données en pouces E.-U. --1 pouce = 25,4 mm

TRACTEUR - - NUMÉRO DE MODÈLE PB195H42LT (96042003603), NO. DE PRODUIT 960 42 00-36
LEVAGE DE TONDEUSE



NO.	DÉ	REF.	DESCRIPTION
2		195223	Ensemble de l'arbre
3		195231	Levier de l'ensemble C.D.
7		196492X421	Poignée
10		196314	Ressort de torsion
87		194209	Goupille fendue 7/16
88		410710	Bondir Assis d'Ascenseur
89		191912	Rondelle
90		194208	Goupille fendue 5/16
91		195181	Relier l'Arrière de Tondeuse à gazon de Susp d'Ascenseur

NO.	DÉ	REF.	DESCRIPTION
97		17000612	Vis 3/8-16 x .75
98		195270	Relier la Tondeuse à gazon de Devant de Suspension d'Ascenseur
100		73930600	Ecroû frein 3/8-16 unc

REMARQUE: Toutes les dimensions de composant sont données en pouces E.-U. -- 1 pouce = 25,4 mm.

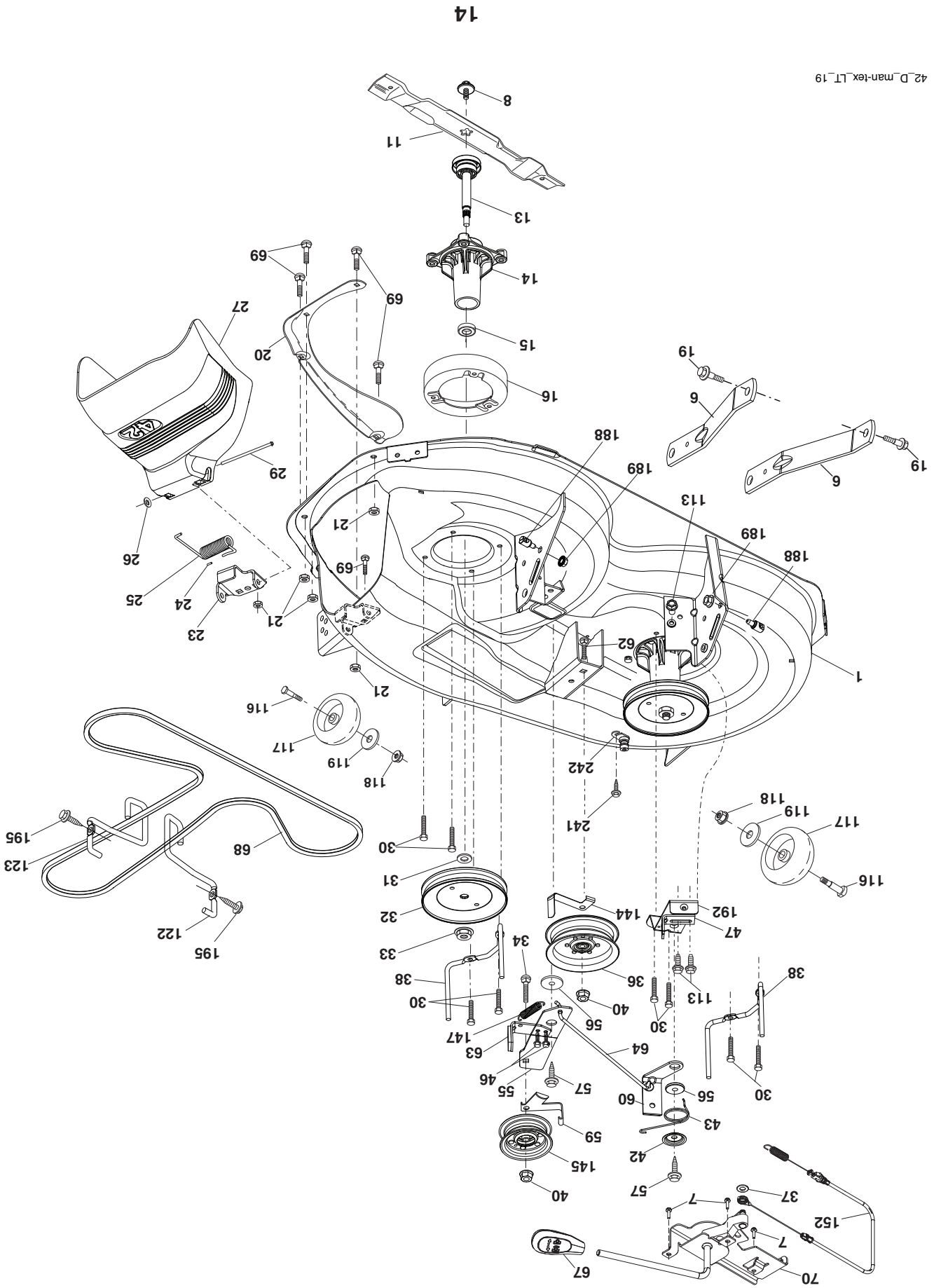
TRACTEUR - - NUMÉRO DE MODÈLE PB195H42LT (96042003603), NO. DE PRODUIT 960 42 00-36
 CARTER DE TONDEUSE

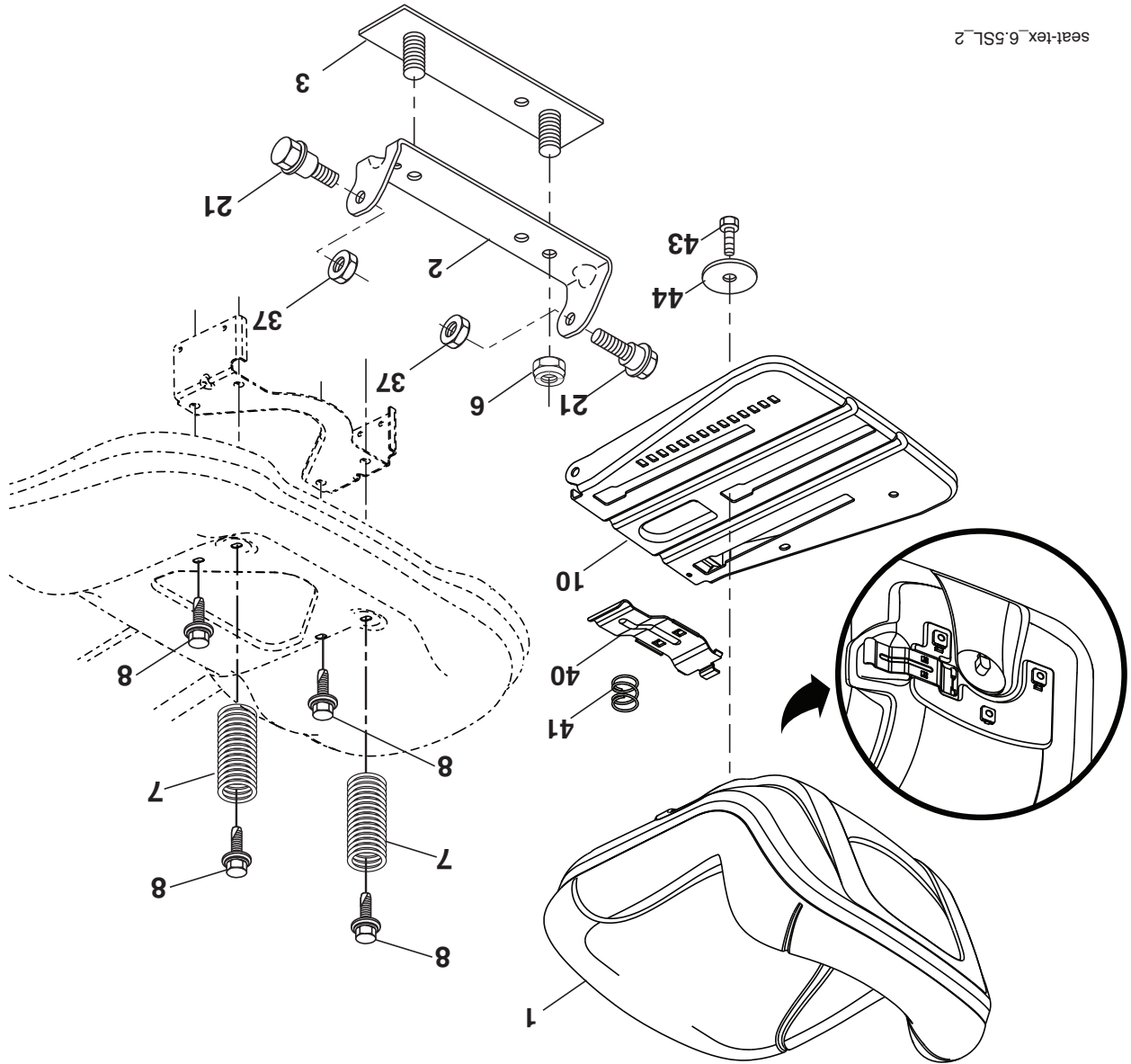
NO. DE DÉ	REF. PIÈCE	DESCRIPTION	NO. DE DÉ	REF. PIÈCE	DESCRIPTION
1	196495	Boîtier de tondeuse	56	199092	Entretoise
6	195186	Bras de suspension	57	17000616	Vis 3/8-16 x 1
7	416358	Vis #10 x .750	59	141043	Protecteur
8	193003	Ensemble du Boulon/Rondelle	60	197261	Levier de frein
		7/16-20 unt	62	72110616	Boulon 3/8-16 unc x 2
		La lame, 42" Paillement la Prime	63	199477	Levier de frein
		(Pour mieux l'usure quand paille)	64	199790	Raccord
11	138971	La lame, 42" Salut-Soulève (Pour	67	198398X421	Guidon du câble d'embrayage
		retient ou décharge)	68	197253	Courroie trapézoïdale
	134149	La lame, 42" Paillement Standard	69	72140505	Boulon 5/16-18 x 5/8
		(Pour paille des tondeuses à	70	198332	Ensemble du embrayage
		gazon seulement)	113	17000510	Vis 5/16-18
13	192872	Ensemble de l'arbre	116	4898H	Boulon
14	18281	Carter du mandrin	117	188606	Support de roue
15	110485X	Roulement à billes du Mandrin	118	73930600	Ecroû frein 3/8-16 unc
16	174493	Dispositif du courant à air	119	19121414	Rondelle 3/8-7/8 x 14 Ja.
19	196539	Boulon à épaulement	122	197258	Guide-courroie du Moteur C.G.
20	159770	Chicane	123	197259	Guide-courroie du Moteur C.D.
21	73680500	Ecroû auto-serrant 5/16-18 unc	144	199204	Guide-courroie
23	192557	Support du déflecteur	145	193197	Pouille de tension principal
24	105304X	Chapeau de manchon	147	401971	Ressort de rappel
25	197026	Ressort de torsion	152	408714	Câbler le Manuel d'Embrayage
26	110452X	Frein ecrou	188	195161	Attache
27	193108X428	Déflecteur de décharge	189	73900500	Ecroû frein
29	131491	Tige à charnière	192	197260	Support C.G.
30	173984	Vis à filets lamines	195	17000612	Vis 3/8-16 x 3/4
31	187690	Entretoise	241	152927	Vis
32	197473	Pouille du Mandrin	242	415598	Raccord de lavage du plateau de
33	400234	Ecroû			coupe
34	72110612	Boulon 3/8-16 x 1-1/2 Gr. 5			Ensemble du mandrin (Inclut
36	197379	Pouille de tension, 4.50 RAW			boîtier, ensemble arbre, et palier
37	19131316	Rondelle 13/32 x 13/16 x 16 Ja.			seulement - pouille/ecrou/rondelle
38	199189	Guide-courroie du Mandrin C.G.			et lame, boulon/rondelle ne pas
40	73900600	Ecroû frein 3/8-16 unc			(Inclut)
42	197256	Bondir la Torsion de retenue			La Tondeuse à gazon de remplace-
43	198410	Bondir le Frein de Torsion			ment, Compléter
46	137729	Vis 1/4-20 x 5/8			
47	197250	Support du câble d'embrayage			
55	197249	Bras du galet-tendeur			

REMARQUE: Toutes les dimensions de composant sont données en pouces E.-U. -- 1 pouce = 25,4 mm.

TRACTEUR - - NUMÉRO DE MODÈLE PB195H42LT (96042003603), NO. DE PRODUIT 960 42 00-36

CARTER DE TONDEUSE





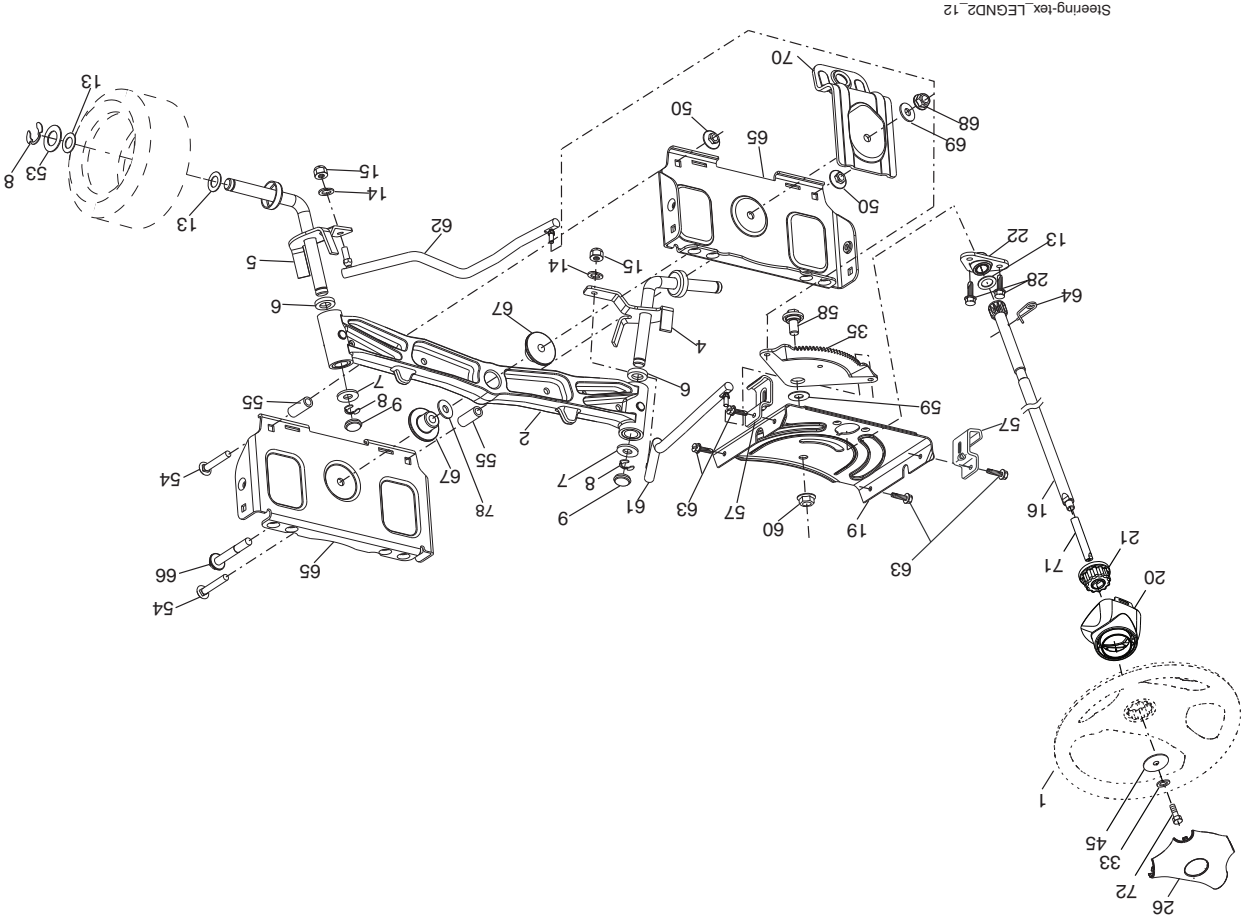
NO. DÉ	PIÈCE	DESCRIPTION
1	406623	Chaise
2	180166	Support le Pare-chocs de Pivot
3	140675	Sangler, le Pare-chocs ensemble
6	73800600	Ecroû frein 3/8-16 unc
7	124181X	Ressort du siège
8	171877	Boulon 5/16-18 unc x 3/4
10	196977	Bac du siège
21	171852	Boulon à épaulement 5/16-18
37	73800500	Ecroû frein 5/16-18 unc
40	197661	Contrôler la Chute
41	198200	Bondir le Loquet
43	74760612	Boulon 3/8-16 unc x 3/4
44	19133812	Rondelle 13/32 x 2 3/8 x 12 Ja.

NO. DÉ	PIÈCE	DESCRIPTION
1	406623	Chaise
2	180166	Support le Pare-chocs de Pivot
3	140675	Sangler, le Pare-chocs ensemble
6	73800600	Ecroû frein 3/8-16 unc
7	124181X	Ressort du siège
8	171877	Boulon 5/16-18 unc x 3/4
10	196977	Bac du siège
21	171852	Boulon à épaulement 5/16-18

REMARQUE: Toutes les dimensions de composant sont données en pouces E.-U. -- 1 pouce = 25,4 mm.

TRACTEUR - - NUMÉRO DE MODÈLE PB195H42LT (96042003603), NO. DE PRODUIT 960 42 00-36

ENSEMBLE DE LA DIRECTION



Steering-tex_LEGND2_12

NO. DE DÉ	DESCRIPTION	REF. PIÈCE
1	Volant de direction	41483X428
2	Ensemble d'essieu devant	184706
4	Ensemble de fuséau, C.G.	403087
5	Ensemble de fuséau, C.D.	403088
6	Palier	6266H
7	Rondelle 25/32 x 1-5/8 x 16 Ja.	121748X
8	Bague #T5304-75	1200029
9	Capuchon de broche	121232X
13	Rondelle 25/32 x 1-1/4 x 16 Ja.	121749X
14	Rondelle frein 3/8	10040600
15	Ecrou auto-serrant 3/8-24 unf	73540600
16	Arbre de Direction	408220
19	Plaque de Direction	194729
20	Boîte de Direction	198375X428
21	Adaptateur du Volant de direction	186737
22	Bague	194845
26	Insertion du Volant de direction	414854X428
28	Vis 3/8-16 x 3/4	17000612
33	Rondelle frein 5/16	10040500
35	Secteur denté	194732
45	Rondelle 11/32 x 2-3/8 x 12 Ja.	1913812
50	Ecrou frein 3/8-16 unc	73900600
53	Rondelle .793 x 1.637 x .060	188967
54	Boulon HS 3/8-16 unc x 2-1/4	74760636
55	Essieu d'entretoise	414736
57	Support d'arrêt supérieur	407465
58	Boulon à épaulement	194747
59	Rondelle butée	194748
60	Ecrou frein 5/8-11	73971000
61	Barre de direction, C.G.	194740
62	Barre de direction, C.D.	194741
63	Vis 5/16-18 x 3/4	17000512
64	Ressort de retenue	199849
65	Moise du essieu devant	194734
66	Boulon 7/16-14 x 3	71020748
67	Douille du essieu devant	194737
68	Ecrou frein 7/16-14 Gr. 5	73900700
69	Rondelle 1.5 x .505 x .118	199162
70	Support	196197
71	L'Arbre d'Extension de direction	196075
72	Boulon 5/16-18 x 4.5 Gr. 5	74780572
78	Rondelle Pousser .515 x .750 x .033	57079

REMARQUE: Toutes les dimensions de composant sont données en pouces E.-U. -- 1 pouce = 25,4 mm.

NO. DE DÉF.	NO. DE PIÈCE	DESCRIPTION
1	-----	Moteur B&S Model No. 31P677
2	137352	Silencieux
9	194319	Guide-courroie du moteur
12	401985	Pouille du moteur
15	407545	Réservoir d'essence 1.50
18	197725	Ensemble du chapeau
20	176636X421	Commande des gaz
21	416358	Vis #10 x 0.750 BOS Fil
28	401137	Conduite d'essence
29	137180	Jeu du Pare-étincelles
37	123487X	Bride de serrage du tuyau
42	10040700	Rondelle frein 7/16
45	73510400	Écrou 1/4-20 unc
69	165291	Garniture
79	192334	Voyez vis à six pans creux 5/16-18 x .75
81	148456	Le Pétrole d'Égout de tube Facile
82	181654	Boucher le Pétrole d'Égout
84	17060620	Vis 3/8-16 x 1-1/4
85	173937	Boulon 7/16-20 x 4 x Gr. 5-1.5
90	17000616	Vis 3/8-16 x 1.0
96	19091416	Rondelle 9/32 x 7/8 x 16 Ja.
97	17670412	Vis 1/4 - 20 x 3/4

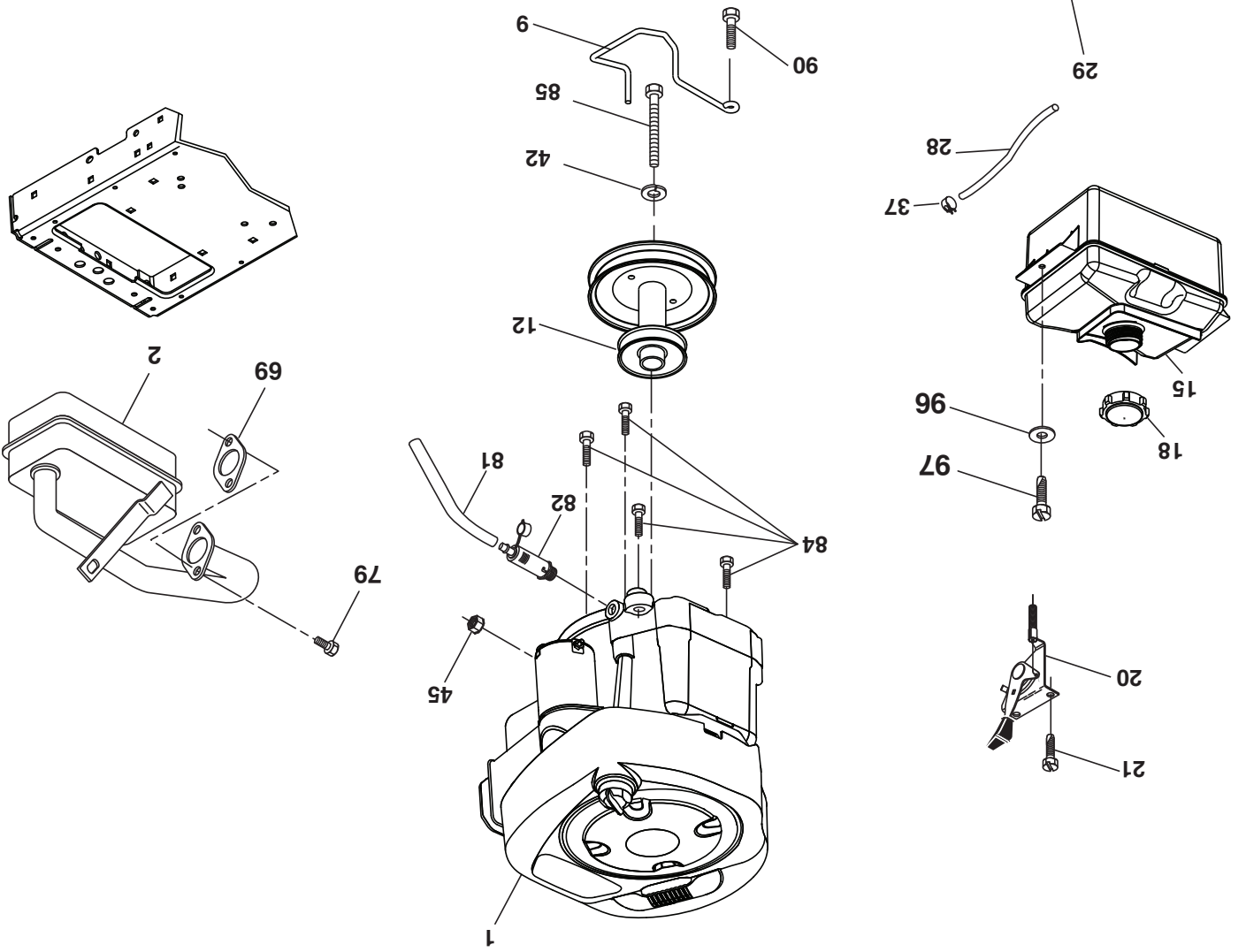
REMARQUE: Toutes les dimensions de composant sont données en pouces E.-U. -- 1 pouce = 25,4 mm.

L'INFORMATION DE CLASSEMENT DE POUVOIR DE MOTEUR

Le pouvoir brut évaluant pour les modèles de moteur de gaz individuels est conformément étiqueté à SAE (la Société d'Ingénieurs Automoteurs) le code J1 1940 (le Petit Pouvoir de Moteur & le Moment de torsion Evaluant la Procédure), et l'exécution de classement a été obtenue et a été corrigée conformément à SAE J1995 (la Révision 2002-5). Le véritable pouvoir de moteur brut sera plus bas et est affecté par, entre autres choses, les conditions d'opération ambiantes et la variété de problèmes écologiques applicables à l'opération de l'équipement, le moteur de gaz ne développera pas le pouvoir de grosse évalué quand utilisé dans un morceau donné d'équipement de pouvoir (la puissance véritable, « sur place » ou nette). Cette différence est en raison d'une assortment de facteurs inclut, mais pas limité à, les accès-soies (le nettoyeur d'air, l'échappement, charger, le refroidissement, le carburateur, la pompe de carburant, etc.), les limitations d'application, les conditions d'opération ambiantes (la température, l'humidité, l'altitude), et le moteur-à-la-variabilité de moteur. En raison des limitations de fabrication et capacité, Briggs & Stratton peut substituer un moteur de plus haut pouvoir évalué pour ce moteur de Feuilleton.

engine-bs-1cyl-tex_4

EQUIPMENT FACULTATIF
PARA-ÉTINCELLES



ENTRAÎNEMENT

NO. NO.	DÉ DÉ	REF. PIÈCE	DESCRIPTION
1	----		Transaxle, Hydro Gear T2
2	123583X		Carre clé
15	19131316		Rondelle 13/32 x 13/16 x 16 Ja.
17	197296		Ressort du Frein
22	197660		Changement de tige
23	409154X421		Bouton
29	408391		Tige du Frein
33	12000001		Bague en E
35	197722		Tige du Frein de stationnement
37	121749X		Rondelle 25/32 x 1-1/4 x 16 Ja.
42	8883R		Couverture du Payer la Pédale
49	72110614		Boulon
50	194327		Poulie du galet-tendeur
51	73900600		Ecroû frein 3/8-16
52	194326		Poulie de tension 910" Décalent
56	125907X		Courroie trapézoïdale
64	196200		Ensemble de l'arbre
70	193220X428		Panneau
73	74490544		Boulon 5/16-18 Gr. 5
74	142432		Vis 1/4 x 1/2
80	408393		Attache de torsion
99	408418		Ressort de tige
114	73800500		Ecroû frein 5/16-18 unc
116	73900500		Ecroû frein 5/16-18
121	175611		Support du attache de torsion
122	72010520		Boulon 5/16-18 x 2.50
125	17000512		Vis 5/16-18 x 3/4
153	4497H		Ressort de retenue 1"
159	76020412		Goupille fendue 1/8 x 3/4
160	169484		Pince d'arrêt

NO. NO.	DÉ DÉ	REF. PIÈCE	DESCRIPTION
161	105709X		Ressort du Embrayage
165	196212		Bagne
166	197290		Frein ecron .625
167	405257		Loquet du frein de stationnement
170	413430		Guide de l'écartement centrale
174	197289		Frein ecron
175	408539		Ensemble de l'arbre
176	196214		Bras d'embrayage
178	197456		Bondir le Changement
183	156972		Entroise
184	198403X505		Guidon du frein de stationnement
185	72110622		Boulon
186	194321		Entroise
187	19133210		Rondelle
188	194323		Raccord d'embrayage
189	194317		Levier coude
190	194318		Guide du Levier coude
205	121748X		Rondelle 25/32 x 1-5/8 x 16 Ja.
221	403187		Ressort de retenue
231	407287		Poulie de tension 1,688" Décalent
232	74780716		Boulon 7/16-14 x 1 Gr. 5
233	405296		Rondelle
279	408538		Relier le Changement

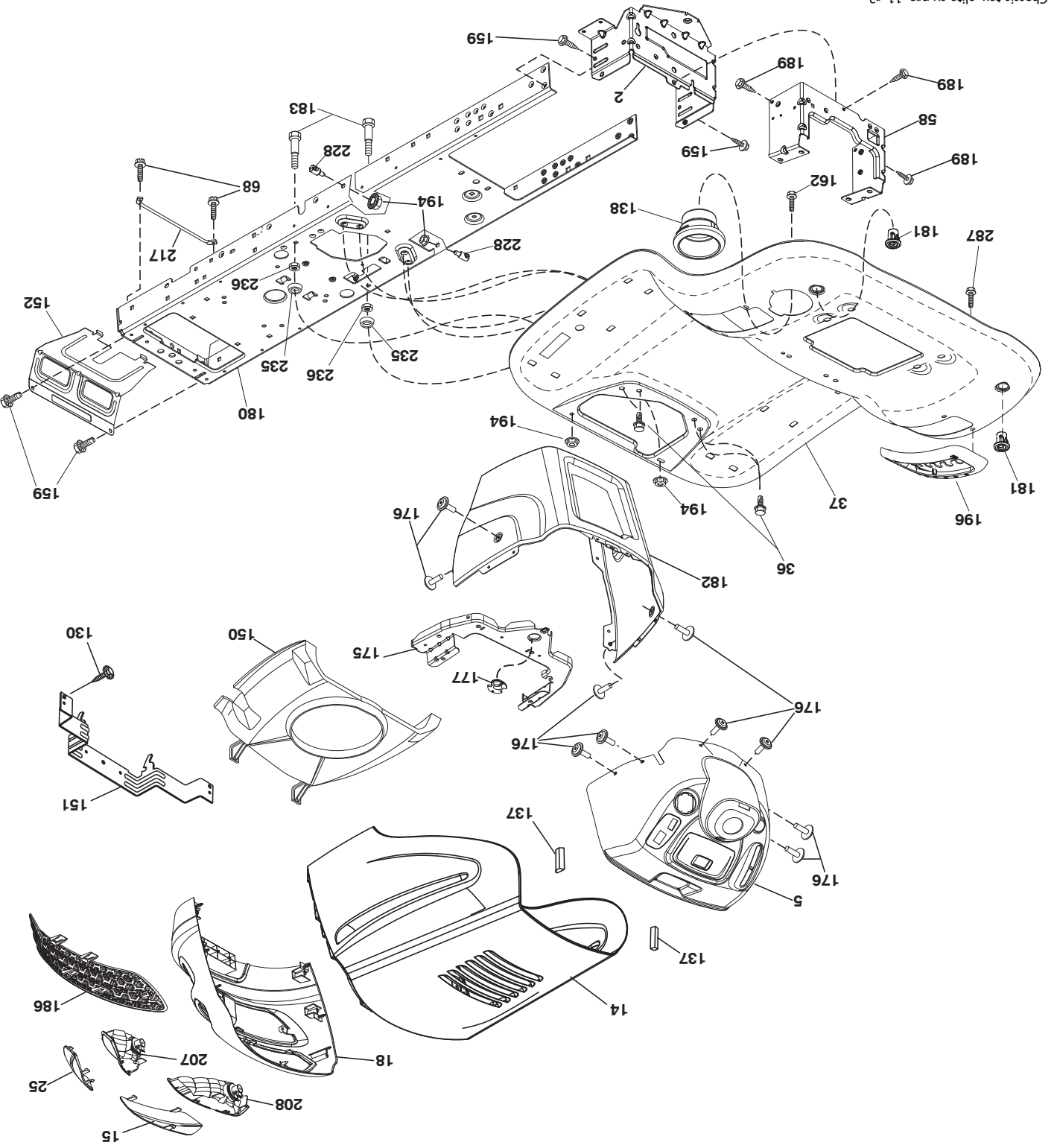
REMARQUE: Toutes les dimensions de composant sont données en pouces E.-U. -- 1 pouce = 25,4 mm.

NO.	DE	DE	REF.	PIÈCE	DESCRIPTION
2			412282	Barre d'attelage supérieur	
5			197783X428	Tableau de bord	
14			183393X428	Capot	
15			183834X599	Grille de lentille C.G.	
18			183828	Grille	
25			183835X599	Grille de lentille C.D.	
36			17060512	Vis 5/16-18 x 3/4	
37			414872X428	Alie	
58			412282	Barre d'attelage inférieur	
68			17490508	Vis 5/16-18 x 1/2	
130			416358	Vis #10 x 0.750 ROS Fil	
137			184921	Capot du Pare-chocs	
138			193224X428	Entourer le support	
150			184322	Le Capuchon de Chaleur de conduit	
151			407807	Support le Pivot	
152			194329	Protéger le Browning/Débris	
159			17000612	Vis 3/8-16 x 3/4	
162			142432	Vis haut-bas 1/4 x 1/2	
175			193243	Traverse moyenne	
176			400776	Vis 10-24 x 5/8	
177			195228	Douille	
180			194260	Châssis	
181			193102X428	Douille	
182			193057	Tableau de bord inférieur	
183			74780520	Boulon 5/16-18 x 1-1/4	
186			183829X428	Insert du Grille	
189			17000512	Vis 5/16-18 x 3/4	
194			73900500	Ecroû frein 5/16-18	
196			414581	Ensemble du Panneau	
207			183833	Grille bisseau C.D.	
208			183832	Grille bisseau C.G.	
217			409167	Tige	
228			195161	Attache	
235			406129	Éntrétoise de l'aile	
236			73930500	Ecroû frein central 5/16-18	
287			17600406	Vis 1/4-20 x 3/8	

REMARQUE: Toutes les dimensions de composant sont données en pouces E.-U. -- 1 pouce = 25,4 mm.

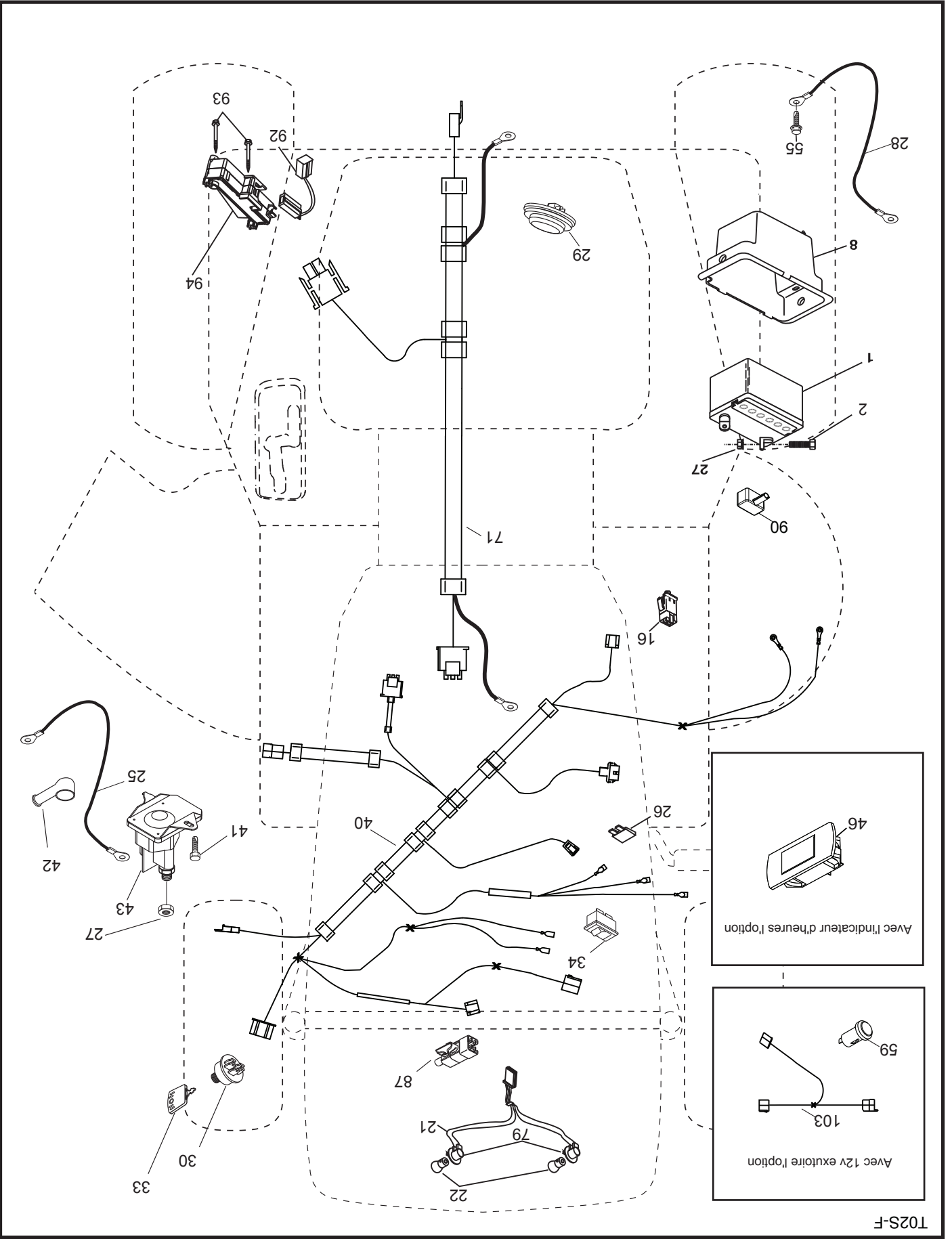
TRACTEUR - - NUMÉRO DE MODÈLE PB195H42LT (96042003603), NO. DE PRODUIT 960 42 00-36

CHÂSSIS/ENCEINTES

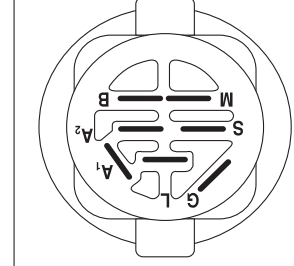


NO.	DÉ	REF.	PIECE	DESCRIPTION
1		163465	Batterie	
2		74760412	Boulon 1/4-20 unc x 3/4	
8		193228	Bac de batterie	
16		176138	Interrupteur de verrouillage pressé	
21		183759	Harnais	
22		4152J	Ampoule N°1156	
25		412894	Câble de batterie	
26		175158	Fusible	
27		73510400	Écrou 1/4-20 unc	
28		198885	Câble de masse de 6 ja. de 18" pile postérieure - noir	
29		401545	Interrupteur	
30		193305	Contacteur d'allumage	
33		411935	Clé/Chaîne	
34		110712X	Interrupteur de lumière	
40		401098	Harnais des câbles d'allumage	
41		17720408	Vis 1/4-20 x 1/2	
42		131563	Couverture de borne	
43		192507	Solénoïde	
55		17060512	Vis 5/16-18 x 3/4	
71		400449	Exploiter le Chassis d'Allumage	
79		175242	Prise de courant du phare	
87		197802	Interrupteur de verrouillage du câble d'embrayage	
90		400725	Couverture	
92		196615	Harnais	
93		192540	Vis 10-14 x 2.0	
94		191834	Modul inverse ROS	

REMARQUE: Toutes les dimensions de composant sont données en pouces E.-U. --1 pouce = 25,4 mm

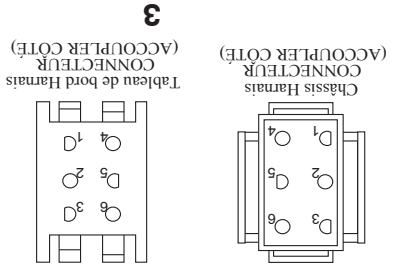
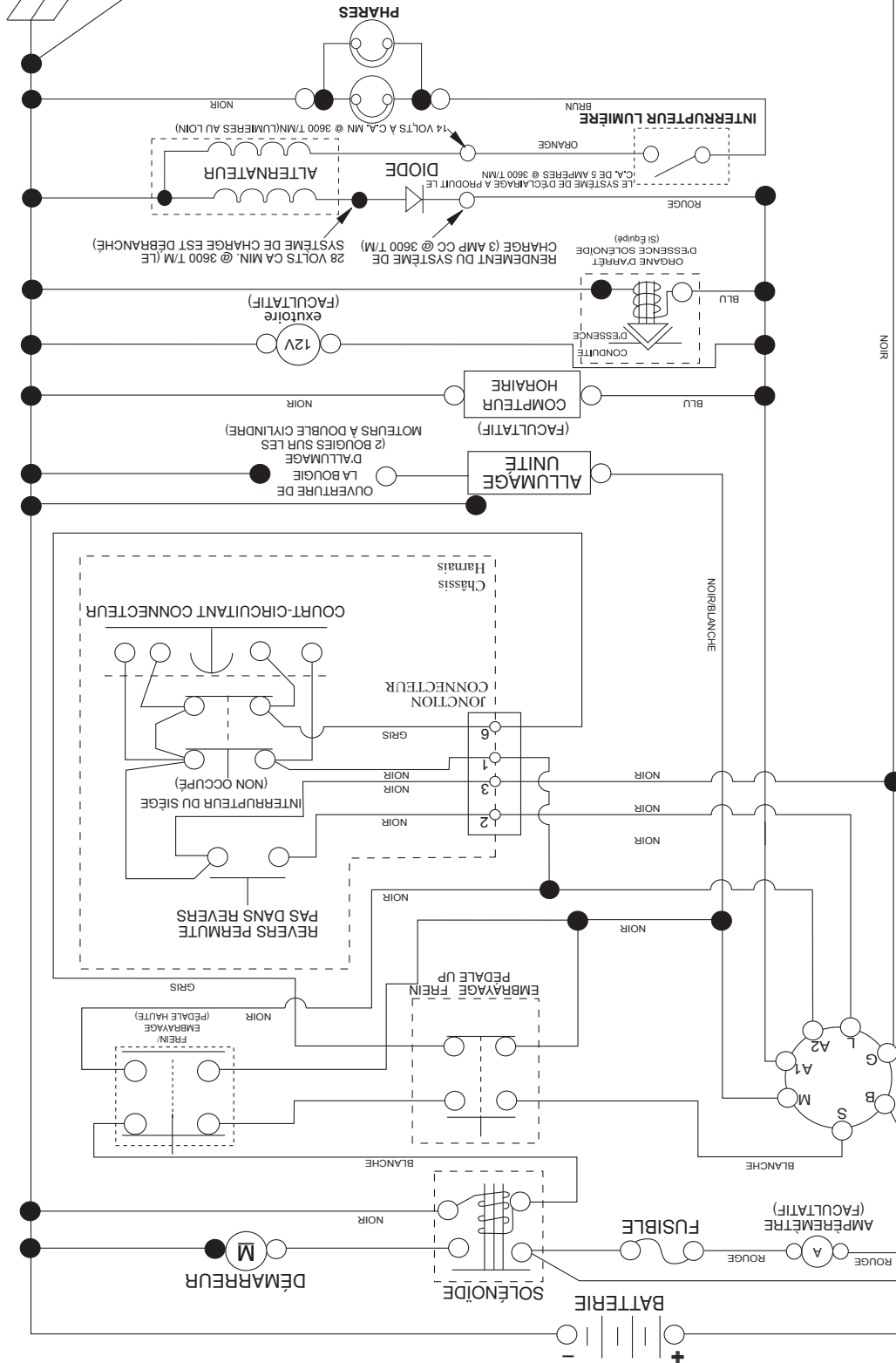


CONTACTEUR D'ALLUMAGE



REMARQUE
 VOTRE TRACTEUR EST ÉQUIPÉ D'UN SYSTÈME D'ALTERNATEUR SPÉCIAL AU LIEU D'ÊTRE BRANCHÉS SUR LA BATTERIE. LES PHARES DISPOSENT DE LEUR PROPRE SOURCE D'ÉNERGIE ÉLECTRIQUE. DONC LA BRILLANCE DES PHARES AU RALENTI, LA FONCTION DE LA VITESSE DU MOTEUR, AU RALENTI, LA BRILLANCE DES PHARES EST ACCÉLÉRÉ, LA BRILLANCE BAISSERA: QUAND LE MOTEUR EST ACCÉLÉRÉ, LA BRILLANCE ATTEINDRA SON MAXIMUM.

POSITION	CIRCUIT "FAITS"
ARRÊT	M + G + A1
MARCHE/ ALLUMAGE	B + A1
MARCHE	B + A1
DEMARRAGE	B + S + A1



PINCES ISOLÉES
 REMARQUE: SI LES PINCES ISOLÉES ONT ÉTÉ ENLEVÉES, ELLES DOIVENT ÊTRE REMISES POUR L'ENTRETIEN DU MODÈLE. EN PLACE POUR ASSURER LE BON FONCTIONNEMENT DU CÂBLAGE.

CONNECTEURS AMOVIBLES

CONNECTEURS NON-AMOVIBLES

COMMENT UTILISER CE MANUEL

Ce manuel a été dessiné pour fournir le client avec les moyens d'identification des pièces de détails du tracteur quand il/elle a besoin de commander les pièces de rechange. Les illustrations ne peuvent pas représenter exactement le modèle que vous avez acheté. N'utilisez pas ce manuel comme un guide dans le montage et/ou démontage de votre tracteur. La visserie montrée est plus grande pour faciliter l'identification.

Chaque tracteur a un numéro de modèle particulier.

Le numéro de modèle du produit se trouvera sur l'aile, dessous le siège.

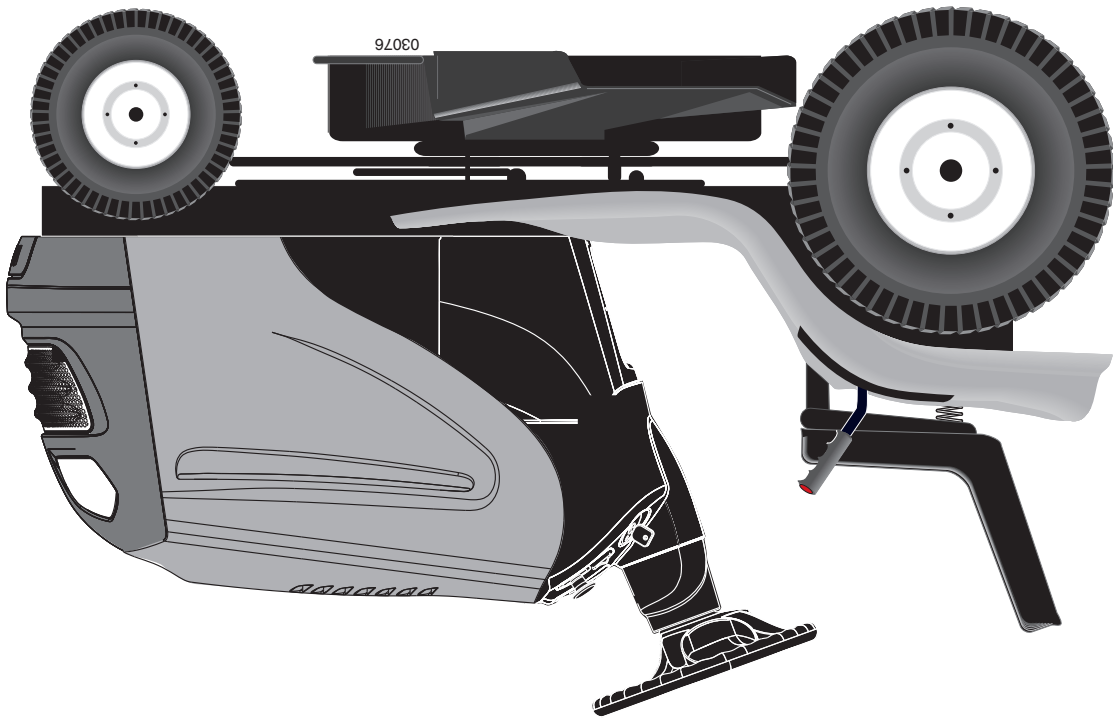
Lorsque vous commandez des pièces de rechange, donnez toujours les renseignements suivants:

- Produit - "Tracteur"
- NUMÉRO DU MODÈLE - "PB195H42LT (96042003603)"
- Numéro de la Pièce
- Description de la Pièce

TABLE DE MATIERES

SCHEMA.....	3
ELECTRIQUE.....	4-5
CHÂSSIS/ENCEINTES.....	6-7
ENTRAÎNEMENT.....	8-9
MOTEUR.....	10-11
ENSEMBLE DE LA DIRECTION.....	12
ENSEMBLE DU SIÈGE.....	13
CARTER DE TONDEUSE.....	14-15
LEVAGE DE LA TONDEUSE.....	16
DECALCOMANIES.....	17
GARANTIE.....	VERS LE VERSO DE LA PAGE

Poulan PRO



MANUEL DE PARTIES DE RÉPARATION

MODÈLE:

PB195H42LT
TRACTEUR DE PELOUSE

PORTEZ TOUJOURS DES LUNETTES DE SÉCURITÉ LORS DE L'UTILISATION.

Visitez notre site web: www.poulan-pro.com

Lisez soigneusement le Manuel suivez tous les Avertissements et les Instructions de Sécurité. Les blessures sérieuses peuvent en résulter si vous ne lisez pas ces Avertissements et Instructions de Sécurité.

AVERTISSEMENT:

