

3000/4 货号/Art. 1707

3500/4 货号/Art. 1709

CN 操作说明书
园林水泵

GB Operating Instructions
Garden Pump



Translation of the original German operating instructions.

Please read the operating instructions carefully and observe the notes given. Use these operating instructions to familiarise yourself with the product, the proper use and the safety instructions.



For safety reasons, children and young people under the age of 16, as well as people not familiar with these operating instructions, may not use this product. Persons with reduced physical or mental abilities may use the product only if they are supervised or instructed by a responsible person.

→ Keep these operating instructions in a safe place.

Contents:

1. Area of application of your GARDENA Garden Pump	11
2. Safety Instructions	12
3. Initial Operation	13
4. Operation	14
5. Putting into Storage	14
6. Maintenance	15
7. Trouble-Shooting	15
8. Available accessories	16
9. Technical Data	17
10. Service/Warranty	18

1. Area of application of your GARDENA Garden Pump

Purpose:

The GARDENA Garden Pump is designed for domestic use around the house and garden.

When the pump is used for pressure boosting, the maximum permissible internal pressure of 6 bar (on the delivery side) must not be exceeded. The increased delivery pressure and the pump pressure have to be added together.

- Example: Pressure at the tap = 2.4 bar, maximum pressure of the Garden Pump 3000/4 = 3.6 bar, total pressure = 6.0 bar.

Liquids that can be pumped:

The GARDENA Garden Pump can be used for pumping ground water and rain water, tap water and swimming pool water containing chlorine.

Please note:



The GARDENA Garden Pump is not suitable for continuous operation (e.g. industrial applications, continuous circulating operation). Corrosive, easily combustible, aggressive or explosive liquids (such as gasoline, petroleum or nitro thinner), saltwater and food must not be pumped. The temperature of the liquid must not exceed 35 °C.

2. Safety Instructions



DANGER! Electric shock!

Risk of injury due to electric shock.

→ Always unplug your Garden Pump before filling, after operation, when trouble-shooting and before carrying out any maintenance work.



CAUTION:

Keep cable plug dry!



RISK OF INJURY!

Hot water – risk of scalding!

If the pump is operated for prolonged periods of time (> 5 min) with the delivery side closed, the water in the pump may heat up so that there is a risk of scalding yourself with hot water.

→ The pump should not run against the closed delivery side for more than 5 minutes.

If the water supply on the intake side of the pump fails, the water in the pump can heat up so that if water emerges, injuries could be caused by the hot water.

→ Disconnect the pump from the mains via the main circuit breaker, let the water cool and secure the suction-side water supply before putting into operation again.

Location

Caution: Pursuant to DIN VDE 0100-702 and 0100-738 use of the pump nearby swimming pools and garden ponds and other similar places is only permissible if the pump is operated via a residual-current device (FI switch) with a residual current rating of ≤ 30 mA. The pump must not be operated when there are persons in the swimming pool or garden pond. The pump must be located on solid, even ground, protected from flooding. Take care that the pump cannot fall into water. Position the pump at a safe distance (min. 2 m) from the liquid to be pumped. As an additional safety device an authorised safety switch can be used.

→ Please ask your electrician for his advice.

When connecting the pump to the water supply system, the country-specific sanitary regulations must be observed to prevent water not of drinking water quality being drawn back in.

→ Please consult a specialist for sanitary installations.

Extension cables

Data indicated on the type plate must match technical data of the mains supply.

Pursuant to DIN VDE 0620, power cable as well as extension cables must not have a smaller diameter than rubber sheathed cables described with letter symbols H05 RNF.

→ Don't use the power cable for carrying the pump or for plugging off.

In Austria

In Austria, the electrical connections must be made according to ÖVE-EM 42, T2 (2000)/1979 § 22 based on § 2022. Pursuant to this regulation it's imperative to operate pumps for swimming pools and garden ponds exclusively via an isolating transformer.

→ Please ask your electrician.

In Switzerland

In Switzerland mobile appliances which are used outdoors, must be connected via a residual-current device.

Visual check

→ Before operating the pump, first make a visual check, if there is any damage of the pump (esp. regarding power cable and plug).

A damaged pump must not be used.

→ In case of damage, please have the pump checked by our GARDENA Service Centre or by an authorised electrician.

Note

→ Protect the pump from rain. Don't use the pump in wet or moist area.

In order to avoid dry-running of the pump, take care that the end of the suction hose is always submerged into the liquid.

→ Before each operation, fill the pump to overflowing with approx. 2 to 3 l of the liquid to be pumped!

Sand and other abrasive substances in the liquid cause in-creased wear and reduce the pump's output.

→ Use a pump preliminary filter for pumping sandy liquids.

Pumping dirty water, e.g. stones, pine needles etc., can cause damage to the pump.

→ Do not pump dirty water.

The minimum flow rate is 90 l/h (= 1.5 l/min). Watering accessories with lower rate must not be operated.

3. Initial Operation

Setting up your Garden Pump:

The site must be firm and solid in order to ensure safe and sturdy operating conditions for the pump.

→ Position the pump at a safe distance (min. 2 m) from the liquid to be pumped.

The pump must be installed in a location with low air humidity and sufficient ventilation in the area of the ventilation slots. It must be at a distance of at least 5 cm from the walls. No dirtcontamination (e.g. sand or earth) may be sucked in through the ventilation slots.

Don't use any hose connection system fittings on the suction side! A vacuum-resistant suction hose must be used, e. g. **GARDENA Suction Unit (suction hose Art. 1721, suction hose fitting Art. 1724 and suction filter with backflow Art. 1727.**

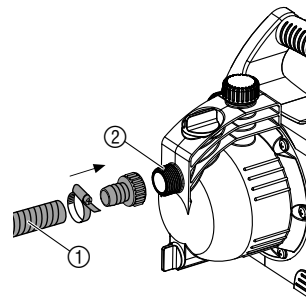
In order to reduce the suction time, it is advisable to use a suction hose with backflow preventer avoiding automatic draining of the suction hose when the pump is stopped.

1. Screw a vacuum-resistant suction hose ① airtight onto the connector on the suction side of the pump ②.

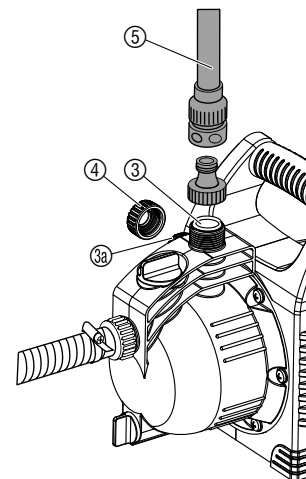
2. For suction heights exceeding 4 m also secure the suction hose ① (e.g. by fastening it to a wooden post).

This relieves the pump of the weight of the suction hose.

Connecting hose to suction side:



Connection hose to delivery side:



The 3500/4 pump has 2 connections ③/③a on the delivery side. The pump connection not in use has to be closed by the cap ④, which can be unscrewed for connecting 2 hoses.

The pump connections ③/③a are equipped with a 33.3 mm (G 1") thread which can be used to connect 13 mm (1/2"), 16 mm (5/8") or 19 mm (3/4") hoses via the GARDENA hose connection system.

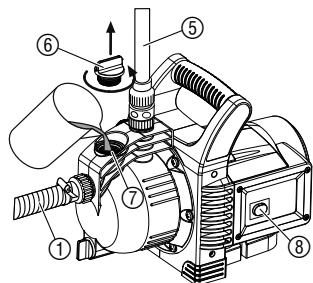
Optimised use of the pump capacity is achieved by connecting 19 mm (3/4") hoses with e.g. GARDENA Pump Connection Set **Art. 1752**, or by connecting 25 mm (1") hoses with **GARDENA Quick Thread Coupling with female thread Art. 7109/Quick Coupling Hose Connector Art. 7103.**

→ Connect the pressure hose ⑤ to the connector on the delivery side ③/③a.

If more than 2 (3000/4 more than 1) hoses/accessories are connected simultaneously, we recommend using the **GARDENA 2- or 4-Channel Water Distributor Art. 8193/8194, GARDENA Twin-Tap Connector Art. 940** which can be screwed directly onto the connection on the delivery side ③/③a.

4. Operation

Filling the pump:

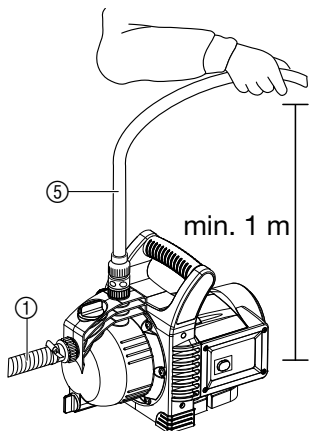


- ⚠ DANGER! Electric shock!**
Risk of injury due to electric shock.
 → Disconnect from the mains before filling the Garden Pump.
- ⚠ ATTENTION! Dry-Running**
 → Before each operation, fill the pump to overflowing with approx. 2 to 3 l of the liquid to be pumped!

1. Unscrew the screw fitting ⑥ of the filler cap ⑦ by hand.
2. Fill the pump via the filler cap ⑦ to overflowing with approx. 2 to 3 l of the liquid to be pumped.
3. Tighten the screw fitting ⑥ of the filler cap ⑦ by hand (do not use pliers).
4. Open any shut-off valves in the delivery line (accessories, water stop, etc.).
5. Drain remaining water ⑤ in pressure hose so that air can escape during the suction process.
6. Insert the power plug.
7. Lift and hold the delivery hose ⑤ at least 1 m vertically above the pump, press the On/Off switch ⑧ (On/Off switch shines) and wait until the pump has primed.

→ If the pump does not deliver after approx. 5 minutes, switch off the pump (press On/Off switch ⑧) (see 7. Trouble-Shooting).

The specified maximum self-priming suction height of 7 m is reached only if the pump is filled via the filler neck ⑦ up to the overflow and if, while doing so and during the self-priming, the delivery hose ⑤ is held up sufficiently high to prevent any flow medium escaping from the pump via the delivery hose ⑤.

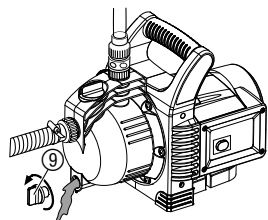


5. Putting into Storage

Overwintering / Storage:

Before the start of the frost period the Garden Pump should be stored protected from frost.

1. Open the water drain screw ⑨.
The Garden Pump drains.
2. Store your Garden Pump so that it is protected from frost.



Disposal:
 (in accordance with
 RL2002/96/EC)



The product must not be added to normal household waste. It must be disposed of in line with local environmental regulations.

6. Maintenance

Flush through Garden Pump:

The GARDENA Garden Pump is essentially maintenance-free.

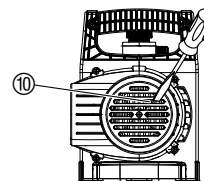
The pump must be flushed through after discharging chlorinated swimming pool water.

1. Pump through lukewarm water (max. 35 °C), possibly adding a mild cleaning agent (e.g. detergent) until the pumped water runs clear.
2. Remove residuals according to the waste disposal laws applicable in your area.

7. Trouble-Shooting

- ⚠ DANGER! Electric shock!**
Risk of injury due to electric shock.
 → Disconnect Garden Pump from the mains before trouble-shooting.

Free the impeller:



An impeller blocked by dirt can be freed again.
 → Turn the impeller bolt ⑩ using a screwdriver.
 This will free the blocked impeller.

Problem	Possible Cause	Remedy
Pump runs, but the suction action doesn't take place	Pump sucks in air at a joint.	→ Seal connections on suction side that they are airtight.
	Leaky or damaged suction hose.	→ Check suction line for damage and seal it that it is airtight.
	The pump was not filled with the liquid to be pumped.	→ Fill the pump (see "4. Operation").
	The liquid escapes over the hose which is connected to the delivery side during the suction action.	<ol style="list-style-type: none"> 1. Fill the pump again (see "4. Operation"). 2. When starting operation hold the pressure hose approx. 1 m vertically above the pump, until the suction action has taken place.
	Absolutely vacuum-resistant connection is achieved by using GARDENA Suction Hoses (see point "8. Available accessories").	
	Leaky screw fitting ⑥ at the filler cap ⑦.	→ Check seal (replace if necessary) and tighten connection securely (do not use pliers).
	Air cannot escape, since delivery side is closed or remaining water is in the pressure hose.	→ Open shut-off valves (e. g. nozzle) in the delivery line, empty the delivery hose or disconnect it from the pump during priming.

Problem	Possible Cause	Remedy
Pump runs, but the suction action doesn't take place	The waiting time wasn't observed.	→ Switch on the pump and wait up to 5 min.
	Suction filter or backflow preventer in the suction hose clogged.	→ Clean the filter or the back flow preventer.
	Too high suction height.	→ Reduce suction height.
	In case of any other difficulties concerning the suction action, use GARDENA Suction Hoses with Backflow Preventer (see point "8. Available accessories") and fill in the liquid to be pumped over the filler cap ⑦ before operation.	
Pump motor runs, but delivery capacity or pressure suddenly decreases	Suction filter at the suction hose is sucked free.	→ Reduce flow rate on the delivery side with a control valve, e.g. GARDENA art. no. (2)977.
	Suction filter or backflow preventer clogged.	→ Clean filter or back-flow preventer.
	Leaks at suction side.	→ Eliminate leak.
	Impeller blocked.	→ Release impeller.
Pump motor doesn't start or suddenly stops	No power.	→ Check fuses and electric connections.
	Circuit breaker has switched off the motor due to overheating/ overload.	→ Ensure sufficient cooling/ ventilation and clean the impeller chamber.
	Electric failure.	→ Send the pump to one of our GARDENA Service Centres.
Noise development in the hydraulic area	In the case of strong flows (e.g. open hose end, without connecting device), noise may result in the hydraulic part of the pump. This is harmless and does not lead to damage of the pump. The noise can be removed by lightly changing the flow (e.g. light opening/closing of a connecting device).	



For any other malfunctions please contact the GARDENA service department. Repairs must only be carried out by GARDENA service departments or specialist dealers authorised by GARDENA.

8. Available accessories

GARDENA Suction Hoses	Kink-proof and vacuum-proof, optionally available by the metre Art. no. 1720/1721 (19 mm (3/4")-/25 mm (1")) without connecting fittings or in fixed length Art. no. 1411/1418 complete with connecting fittings.
GARDENA Suction Hose Fitting	For connection on the suction side. Art. no. 1723/1724
GARDENA Suction Filter with backflow preventer	To equip suction hoses with backflow preventer sold by the metre. Art. no. 1726/1727/1728

GARDENA Pump Preliminary Filter	Recommended for pumping sandy liquids.	Art. no. 1730/1731
GARDENA Electronic Manometric Switch	Automatically cuts in and out the pump depending on the current operating pressure. With dry-running safety. It must be installed at one of the two outlets.	Art. no. 1739
GARDENA Dry-Running Safety	Prevents the pump from damages in case of missing liquid. The Dry-Running Safety cannot be directly connected to the pump and must be mounted with Original GARDENA System Fittings in the pressure hose.	Art. no. 1741



9. Technical Data

Type	3000/4 (Art. no. 1707)	3500/4 (Art. no. 1709)
Rated power	600 W	800 W
Max. delivery capacity	3,100 l/h	3,600 l/h
Max. pressure/max. delivery head	3.6 bar / 36 m	4.1 bar / 41 m
Max. self-priming suction height	7 m	7 m
Perm. internal pressure (delivery side)	6 bar	6 bar
Voltage/Frequency	220 – 240 V AC/50 Hz	220 – 240 V AC/50 Hz
Connection cable	1.5 m; H07-RNF	1.5 m; H07-RNF
Weight	6.5 kg	7.0 kg
Noise level $L_{WA}^{1)}$	measured 78 dB (A) guaranteed 81 dB (A)	measured 82 dB (A) guaranteed 85 dB (A)

¹⁾ Measuring method according to directive 2000/14/EC

10. Service/Warranty

Warranty:

GARDENA guarantees this product for 1 years (from date of purchase). This guarantee covers all serious defects of the unit that can be proved to be material or manufacturing faults. Under warranty we will repair the unit free of charge if the following conditions apply:

- The unit must have been handled properly and in keeping with the requirements of the operating instructions.
- Neither the purchaser or a non-authorized third party have attempted to repair the unit.

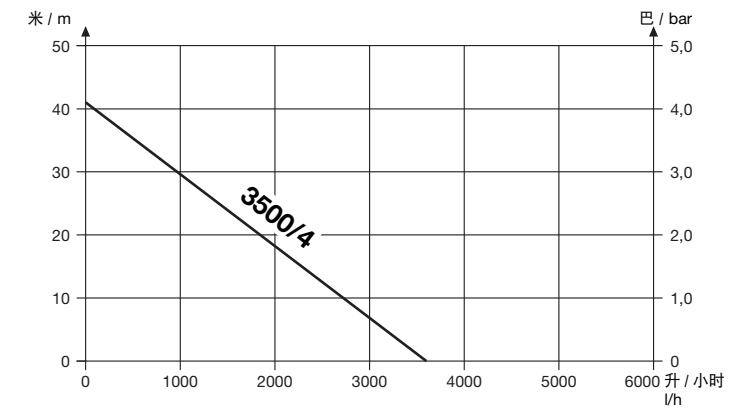
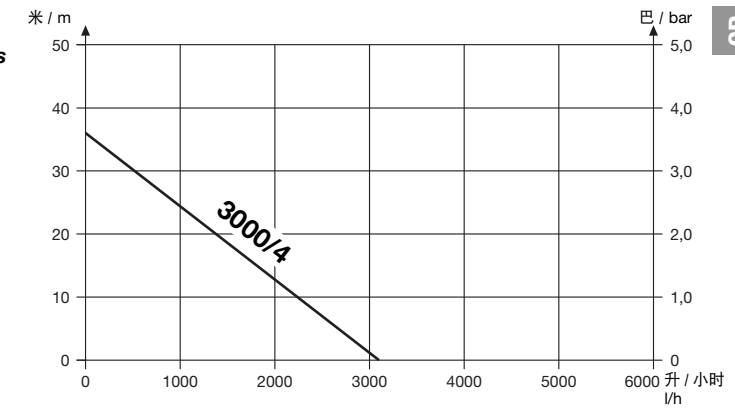
The impeller is a wearing part and is excluded for the warranty.

This manufacturer's guarantee does not affect the user's existing warranty claims against the dealer/seller.

If you have any problems with this product, please contact our Service or return the defective unit together with a short description of the problem – in case of guarantee, with a copy of the receipt – postage paid to one of the GARDENA Service Centres listed on the back of this leaflet.

抽吸特性曲线

Performance characteristics



Deutschland / Germany

GARDENA GmbH
Central Service
Hans-Lorenser-Straße 40
D-89079 Ulm
Produktfragen:
(+49) 731 490-123
Reparaturen:
(+49) 731 490-290
service@gardena.com

Albania

COBALT Sh.p.k.
Rr. Sirti Kodra
1000 Tirana

Argentina

Husqvarna Argentina S.A.
Av.del Libertador 5954 –
Piso 11 – Torre B
(C1428ARP) Buenos Aires
Phone: (+54) 11 5194 5000
info.gardena@
ar.husqvarna.com

Armenia

Garden Land Ltd.
61 Tigran Mets
0005 Yerevan

Australia

Husqvarna Australia Pty. Ltd.
Locked Bag 5
Central Coast BC
NSW 2252
Phone: (+61) (0) 2 4352 7400
customer.service@
husqvarna.com.au

Austria / Österreich

Husqvarna Austria GmbH
Consumer Products
Industriezeile 36
4010 Linz
Tel.: (+43) 732 77 01 01 - 90
consumer.service@
husqvarna.at

Azerbaijan

Firm Progress
a. Aliyev Str. 26A
1052 Baku

Belgium

GARDENA Belgium NV/SA
Sterrebeekstraat 163
1930 Zaventem
Phone: (+32) 2 720 92 12
Mail: info@gardena.be

Bosnia / Herzegovina

SILK TRADE d.o.o.
Industrijska zona Bukva bb
74260 Tešanj

Brazil

Husqvarna do Brasil Ltda
Av. Francisco Matarazzo,
1400 – 19º andar
São Paulo – SP
CEP: 05001-903
Tel: 0800-112252
marketing.br.husqvarna@
husqvarna.com.br

Bulgaria

Хускварна България ЕООД
Бул. „Андрей Ляпчев“ № 72
1799 София
Тел.: (+359) 02/9753076
www.husqvarna.bg

Canada / USA

GARDENA Canada Ltd.
100 Summerlea Road
Brampton, Ontario L6T 4X3
Phone: (+1) 905 792 9330
info@gardenacanada.com

Chile

Maquinarias Agroforestales
Ltda. (Maga Ltda.)
Santiago, Chile
Avda. Chesterton
8355 comuna Las Condes
Phone: (+56) 2 202 4417
Dalton@maga.cl
Zipcode: 7560330

Temuco, Chile

Avda. Valparaiso # 01466
Phone: (+56) 45 222 126
Zipcode: 4780441

China

Husqvarna (China) Machinery
Manufacturing Co., Ltd.
No. 1355, Jia Xin Rd.,
Ma Lu Zhen, Jia Ding Dist.,
Shanghai
201801
Phone: (+86) 21 59159629
Domestic Sales
www.gardena.com.cn

Colombia

Husqvarna Colombia S.A.
Calle 18 No. 68 D-31, zona
Industrial de Montevideo
Bogotá, Cundinamarca
Tel. 571 2922700 ext. 105
jairo.salazar@
husqvarna.com.co

Costa Rica

Compañia Exim
Euroiberamericana S.A.
Los Colegios, Moravia,
200 metros al Sur del Colegio
Saint Francis – San José
Phone: (+506) 297 6883
exim_euro@racsa.co.cr

Croatia

SILK ADRIA d.o.o.
Josipa Lončara 3
10090 Zagreb
Phone: (+385) 1 3794 580
silk.adria@zg-t-com.hr

Cyprus

Med Marketing
17 Digeni Akrita Ave
P.O. Box 27017
1641 Nicosia

Czech Republic

Husqvarna Česko s.r.o.
Türkova 2319/5b
149 00 Praha 4 – Chodov
Bezplatná infolinka:
800 100 425
servis@cz.husqvarna.com

Denmark

GARDENA / Husqvarna
Consumer Outdoor Products
Salgsafdelning Danmark
Box 9003
S-200 39 Malmö
info@gardena.dk

Dominican Republic

BOSQUESA, S.R.L
Carretera Santiago Licey
Km. 5 ½
Esquina Copal II.
Santiago, Dominican Republic
Phone: (+809) 736-0333
joserbosquesa@claro.net.do

Ecuador

Husqvarna Ecuador S.A.
Arupos E1-181 y 10 de Agosto
Quito, Pichincha
Tel. (+593) 22800739
francisco.jacome@
husqvarna.com.ec

Estonia

Husqvarna Eesti OÜ
Consumer Outdoor Products
Kesk tee 10, Aaviku küla
Rae vald
Harju maakond
75305 Estonia
kontakt.etj@husqvarna.ee

Finland

Oy Husqvarna Ab
Consumer Outdoor Products
Lautatarhankatu 8 B / PL 3
00581 HELSINKI
info@gardena.fi

France

GARDENA France
Immeuble Exposial
9-11 allée des Pierres Mayettes
ZAC des Barbanniers, B.P. 99
-F- 92232 GENNEVILLIERS
cedex
Tél. (+33) 01 40 85 30 40
service.consommateurs@
gardena.fr

Georgia

ALD Group
Belashvili 8
1159 Tbilisi

Great Britain

Husqvarna UK Ltd
Preston Road
Aycliffe Industrial Park
Newton Aycliffe
County Durham
DL5 6UP
info.gardena@
husqvarna.co.uk

Greece

HUSQVARNA ΕΛΛΑΣ Α.Ε.Β.Ε.
Υπ/μκ Ηφαίστου 33Α
Βλ. Πλ. Κορωπίου
194 00 Κορωπί Αττικής
V.A.T. EL094094640
Phone: (+30) 210 6620225
info@husqvarna-consumer.gr

Hungary

Husqvarna Magyarország Kft.
Ezred u. 1-3
1044 Budapest
Telefon: (+36) 1 251-4161
vevoszolgalat.husqvarna@
husqvarna.hu

Iceland

Ó. Johnson & Kaaber
Tunguhalsi 1
110 Reykjavik
ooj@ojk.is

Ireland

Husqvarna UK Ltd
Preston Road
Aycliffe Industrial Park
Newton Aycliffe
County Durham
DL5 6UP
info.gardena@
husqvarna.co.uk

Italy

Husqvarna Italia S.p.A.
Via Como 72
23868 VALMADRERA (LC)
Phone: (+39) 0341.203.111
info@gardenaitalia.it

Japan

KAKUICHI Co. Ltd.
Sumitomo Realty &
Development Kojimachi
BLDG., 8F
5-1 Nibanncyo
Chiyoda-ku
Tokyo 102-0084
Phone: (+81) 33 264 4721
m_ishihara@kaku-ichi.co.jp

Kazakhstan

LAMED Ltd.
155/1, Tazhibayevoy Str.
050060 Almaty
IP Schmidt
Abayavenue 3B
110 005 Kostanay

Kyrgyzstan

Alye Maki
av. Molodaya Guardir J 3
720014
Bishkek

Latvia

Husqvarna Latvija
Consumer Outdoor Products
Bākūžu iela 6
LV-1024 Rīga
info@husqvarna.lv

Lithuania

UAB Husqvarna Lietuva
Consumer Outdoor Products
Ateities pl. 77C
LT-52104 Kaunas
centras@husqvarna.lt

Luxembourg

Magasins Jules Neuberger
39, rue Jacques Stas
Luxembourg-Gasperich 2549
-F- 92232 GENNEVILLIERS
cedex
Tél. (+33) 01 40 85 30 40
service.consommateurs@
gardena.fr

Mexico

AFOSA
Av. Lopez Mateos Sur # 5019
Col. La Calma 45070
Zapopan, Jalisco
Mexico
Phone: (+52) 33 3818-3434
icornejo@afosa.com.mx

Moldova

Convel S.R.L.
290A Muncesti Str.
2002 Chisinau

Netherlands

GARDENA Nederland B.V.
Postbus 50176
1305 AD ALMERE
Phone: (+31) 36 521 00 00
info@gardena.nl

Neth. Antilles

Jonka Enterprises N.V.
Sta. Rosa Weg 196
P.O. Box 8200
Curaçao
Phone: (+599) 9 767 66 55
pgm@jonka.com

New Zealand

Husqvarna New Zealand Ltd.
PO Box 76-437
Manukau City 2241
Phone: (+64) (0) 9 9202410
support.nz@husqvarna.co.nz

Norway

GARDENA
Husqvarna Consumer
Outdoor Products
Salgskontor Norge
Klevenveien 6
1540 Vestby
info@gardena.no

Peru

Husqvarna Perú S.A.
Jr. Flamón Cárcamo 710
Lima 1
Tel: (+51) 1 3320400 ext. 416
juan.remuzgo@
husqvarna.com

Poland

Husqvarna
Poland Spółka z o.o.
ul. Wysockiego 15 b
03-371 Warszawa
Phone: (+48) 22 330 96 00
gardena@husqvarna.com.pl

Portugal

Husqvarna Portugal, SA
Lagoa - Albarraque
2635 - 595 Rio de Mouro
Tel.: (+351) 21 922 85 30
Fax : (+351) 21 922 85 36
info@gardena.pt

Romania

Madex International Srl
Soseaua Odaii 117- 123,
RO 013603
București, S1
Phone: (+40) 21 352.76.03
madex@ines.ro

Russia

ООО „Хускварна“
141400, Московская обл.,
г. Химки,
улица Ленинградская,
владение 39, стр.6
Бизнес Центр
„Химки Бизнес Парк“,
помещение OB02_04

Serbia

Domel d.o.o.
Autoput za Novi Sad bb
11273 Belgrade
Phone: (+381) 1 18 48 88 12
miroslav.jejina@domel.rs

Singapore

Hy-Ray PRIVATE LIMITED
40 Jalan Pemimpin
#02-08 Tat Ann Building
Singapore 577185
Phone: (+65) 6253 2277
shiyang@hyray.com.sg

Slovak Republic

Husqvarna Česko s.r.o.
Türkova 2319/5b
149 00 Praha 4 – Chodov
Bezplatná infolinka:
800 154 044
servis@sk.husqvarna.com

Slovenia

Husqvarna Austria GmbH
Consumer Products
Industriezeile 36
4010 Linz
Tel.: (+43) 732 77 01 01 - 90
consumer.service@
husqvarna.at

South Africa

Husqvarna
South Africa (Pty) Ltd
Postnet Suite 250
Private Bag X6,
Cascades, 3202
South Africa
Phone: (+27) 33 846 9700
info@gardena.co.za

Spain

Husqvarna España S.A.
C/ Basauri, nº 6
La Florida
28023 Madrid
Phone: (+34) 91 708 05 00
atencioncliente@gardena.es

Suriname

Agrofix n.v.
Verlengde Hogestraat #22
Phone: (+597) 472426
agrofix@sr.net
Pobox : 2006
Paramaribo
Suriname – South America

Sweden

Husqvarna AB
S-561 82 Huskvarna
info@gardena.se

Switzerland / Schweiz

Husqvarna Schweiz AG
Consumer Products
Industriestrasse 10
5506 Mägenwil
Phone: (+41) (0) 848 800 464
info@gardena.ch

Turkey

GARDENA Dost Diş Ticaret
Mümesillik A.Ş.
Sanayi Çad. Adil Sokak
No: 1/B Kartal
34873 Istanbul
Phone: (+90) 216 3893939
info@gardena-dost.com.tr

Ukraine / Україна

ТОВ «Хусварна Україна»
вул. Васильківська, 34,
офіс 204-г
03022, Київ
Тел. (+38) 044 498 39 02
info@gardena.ua

Uruguay

FELI SA
Entre Ríos 1083 CP 11800
Montevideo – Uruguay
Tel: (+598) 22 03 18 44
info@felisa.com.uy

Venezuela

Corporación Casa y Jardín C.A.
Av. Caroní, Edif. Trezmen, PB.
Colinas de Bello Monte.
1050 Caracas.
Tlf: (+58) 212 992 33 22
info@casayjardin.net.ve

1707-39.960.01/0612

© GARDENA

Manufacturing GmbH
D-89070 Ulm
http://www.gardena.com