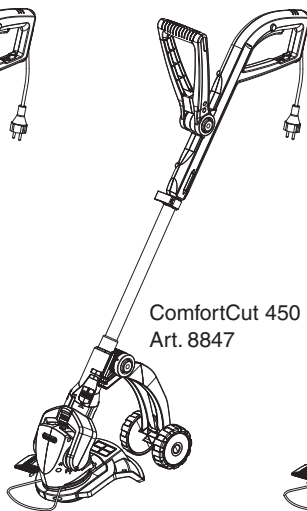
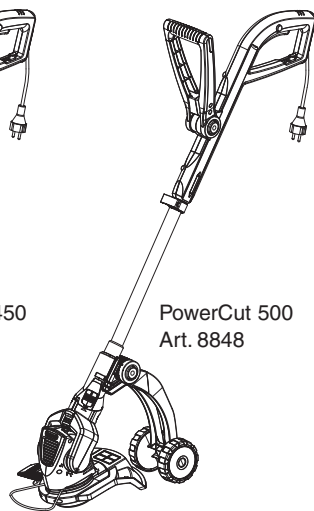


EasyCut 400  
Art. 8846  
EasyCut 480  
Art. 8846-40



ComfortCut 450  
Art. 8847



PowerCut 500  
Art. 8848

**D Betriebsanleitung**  
Turbotrimmer

**GB Operating Instructions**  
Turbotrimmer

**F Mode d'emploi**  
Coupe bordures

**NL Instructies voor gebruik**  
Turbotrimmer

**S Bruksanvisning**  
Turbotrimmer

**DK Brugsanvisning**  
Turbotrimmer

**FIN Käyttöohje**  
Turbotrimmeri

**N Bruksanvisning**  
Turbotrimmer

**I Istruzioni per l'uso**  
Turbotrimmer

**E Manual de instrucciones**  
Turbotrimmer

**P Instruções de utilização**  
Turbotrimmer

**PL Instrukcja obsługi**  
Podkaszarka żyłkowa

**H Használati utasítás**  
Damilos fűszegélynyíró

**CZ Návod k použití**  
Turbotrimmer

**SK Návod na použitie**  
Turbotrimmer

**GR Οδηγίες χρήσεως**  
Κουρευτικό πετονιάς

**RUS Инструкция по эксплуатации**  
Турботриммер

**SLO Navodilo za uporabo**  
Kosilnica z nitko

**HR Upute za uporabu**  
Turbo nitne kosilice

**SRB Uputstvo za rad**  
Turbo trimmer-kosilica

**UA Інструкція з експлуатації**  
Турботриммер

**RO Instrucțiuni de utilizare**  
Turbotrimmer

**TR Kullanım Klavuzu**  
Misinalı Ot Kesici

**BG Инструкция за експлоатация**  
Турбо-тример

**AL Manual përdorimi**  
Prerëse bari

**EST Kasutusjuhend**  
Turbotrimmer

**LT Eksploatavimo instrukcija**  
Turbo žoliapjovė

**LV Lietošanas instrukcija**  
Turbo trimmeris

# GARDENA Turbotrimmer EasyCut 400 / 480 / ComfortCut 450 / PowerCut 500

Welcome to the Garden of GARDENA...



Translation of the original instructions from German. Please read these operating instructions carefully and observe the information they contain. Use these operating instructions to familiarise yourself with the GARDENA Turbotrimmer, its proper use and the notes on safety.



For safety reasons, children under the age of 16 as well as people who are not familiar with the operating instructions, should not use the Turbotrimmer. Persons with reduced physical or mental abilities may use the product only if they are supervised or instructed by a responsible person.

→ Please keep these operating instructions in a safe place.

## Contents

1. Where to Use Your GARDENA Turbotrimmer .....	11
2. Safety Instructions .....	11
3. Assembly .....	13
4. Operation .....	13
5. Storage .....	16
6. Maintenance .....	16
7. Troubleshooting .....	17
8. Accessories .....	18
9. Technical Data .....	18
10. Service / Warranty .....	19

## 1. Where to Use Your GARDENA Turbotrimmer

### Proper use

The GARDENA Turbotrimmer is designed for trimming and cutting areas of grass and lawns in private house and hobby gardens.

The Turbotrimmer must not be used in public facilities, parks, sports grounds, next to roads or in agriculture or forestry.

### Please note



For safety reasons, the GARDENA Turbotrimmer must not be used for hedge trimming or for shredding for composting.

## 2. Safety Instructions

→ Please read the notes on safety on the Trimmer.



**CAUTION !**  
→ Always read the operating instructions before using your Turbotrimmer.



**DANGER ! Tool does not stop immediately when turned off!**

→ Keep your hands and feet out of the area where you are working until the cutting filament is stationary!



**DANGER !**  
Risk of electric shock!  
→ Keep your Turbotrimmer away from water and rain!



**DANGER !**  
Risk of injury to eyes!  
→ Always wear eye protection!



**DANGER!**  
**Risk of injury to other people!**

- Keep other people out of the area where you are working.

**Check your Trimmer before each use**

- Always visually inspect your Trimmer before each use.
- Check that the ventilation slots are not obstructed in any way.

Do not use your Trimmer if the safety devices (push button, safety cover) and/or the filament cassette are damaged or worn.

- Never bypass the safety devices.
- Inspect the area to be cut before you begin work. Remove any foreign objects and look out for foreign objects (such as stones, pieces of wood, strings and wires) while you are working.
- If you should come across an obstacle while cutting, turn off the Trimmer and unplug the mains plug. Remove the object and check the Trimmer for any damage. If necessary have your Trimmer repaired.

**Use / responsibility**

The Trimmer can cause serious injuries.

- Use the Trimmer only for the purpose specified in these operating instructions.

You are responsible for the safety in the area where you are working.

- Ensure that there are no other people (especially children) or animals within or near the area where you are working.
- Never use the Trimmer if the safety devices are damaged or defective.

Unplug the mains plug after use and check your Trimmer, especially the filament cassette, regularly for damage. Have your Trimmer repaired and/or replace the filament cassette if necessary.

- Always wear an eye shield or safety goggles!
- Wear sturdy shoes and long trousers to protect your legs. Keep your fingers and feet away from the cutting filament – above all when starting work.
- Always ensure that you have a secure foothold whilst working.

- Keep the extension cable away from the area you are cutting.

Take extra care when walking backwards. You may stumble!

- Only work in the daylight or when visibility is good.

**Interrupting work**

- Never leave the Trimmer unattended where you are working.
- If you stop work, unplug the mains plug and store your Trimmer in a safe place.
- If you stop work in order to move to another part of the garden, always switch off the Trimmer, wait until the tool stops and then unplug the mains plug.

**Familiarise yourself with the surroundings**

- Familiarise yourself with the surroundings and look out for possible dangers which you may not hear due to machine noise.
- Never use the Trimmer when it is raining or in damp, wet areas.
- Do not operate your Trimmer directly next to swimming pools or garden ponds.

**Electrical safety**

**Check the power cord regularly for damage and signs of wear and tear.**

Do not use your Trimmer if the power cord is damaged.

- If the mains cord or extension cable is damaged while you are working, unplug the mains plug immediately. Do not touch the cable until the mains plug is switched off.

The socket of the extension cable you are using must be waterproof.

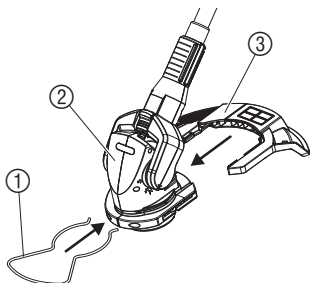
- Only use permitted extension cables.
- Ask your electrician.

For all portable units that are operated outdoors we recommend using a fault circuit breaker.

In Switzerland the use of a residual-current device is obligatory.

## 3. Assembly

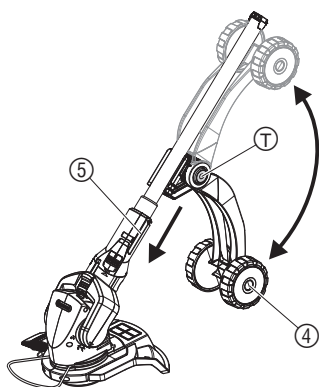
### Assembling the trimmer:



1. Push the cover ③ into the guide of the cutting head from behind ② until the connection locks into place on both sides.
2. Push plant guard ① onto the cutting head from the front ② until it locks into place.

### Fit additional wheel:

The additional wheel is available as an optional extra for the EasyCut 400/480. The additional wheel is already fitted on the ComfortCut 450/PowerCut 500.



### Fit additional wheel:

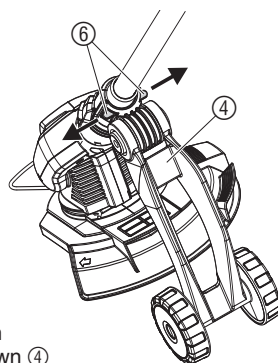
→ Fit additional wheel ④ onto the guides of the handle holder ⑤ until you hear the connection lock into place on both sides.

### Remove additional wheel:

→ Pull both catches ⑥ out to the side and remove the additional wheel ④ from the guides of the handle holder ⑤.

### Fold additional wheel up / down:

→ Press adjusting buttons T on both sides, fold additional wheel up / down ④ and release the adjustment buttons T again.



## 4. Operation

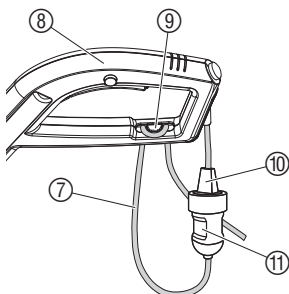
### RISK OF INJURY !



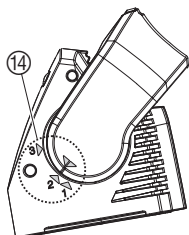
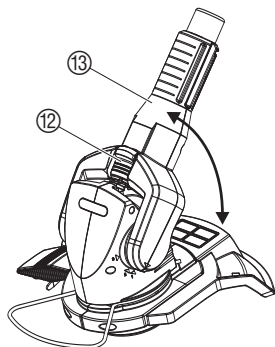
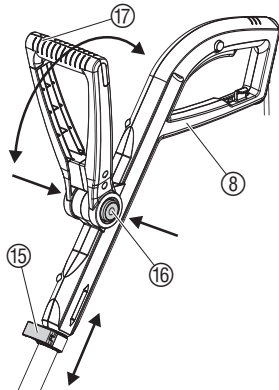
**Risk of injury if the Turbotrimmer does not switch off when you release the start button.**

→ **Never bypass the safety devices or switches (e.g. by tying the safety lock to the handle).**

### Connecting the trimmer:



1. Insert the loop of the extension cable ⑦ into the cable strain relief ⑨ from below through the upper part of the handle ⑧ and pull tight.
2. Plug the plug ⑩ of the trimmer into the socket ⑪ of the extension cable ⑦.
3. Plug the extension cable into a 230 V mains power supply.

**Setting the working position :****Setting the trimmer to body height :****Adjusting the plant guard :**

**ATTENTION !**  
Overloading of the motor.

→ When trimming with wheels, working position 2 must be set.



**Working position 1 :**  
Trimming without wheels

**Working position 2 :**  
Trimming with wheels

**Working position 3 :**  
Trimming under obstacles

The angle of the handle can be set to 3 working positions.

1. Push slider 12 up and set the handle 13 to the required working position (see scale 14).
2. Let the slider 12 lock into the required working position.

**Setting the handle length :**

→ Open clamping lever 15, extend upper part of handle 8 to required handle length and close clamping lever 15 again.

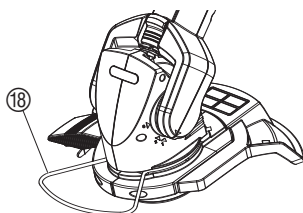
**ATTENTION !** With EasyCut 400/480, ensure that when adjusting the handle length the upper part of the handle 8 is not twisted.

**Adjusting the additional handle :**

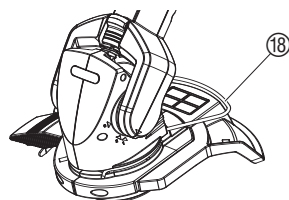
→ Press adjusting buttons in 16 on both sides, set additional handle 17 to required angle and release the adjusting buttons 16 again.

When the trimmer is set to the correct body size, the body is upright and the cutting head is angled slightly forwards in working position.

→ Hold the trimmer on the upper part of the handle 8 and additional handle 17 in such a way that the cutting head is angled forwards slightly.



**Working position**



**Parking position**

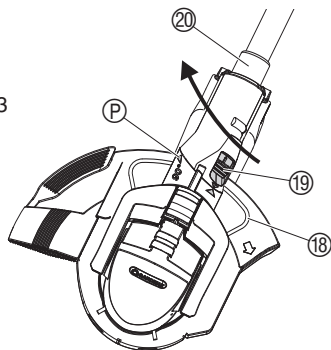
→ Turn plant guard 18 through 180° into the required position until it locks into place.

### Trimming overhanging lawn edges:



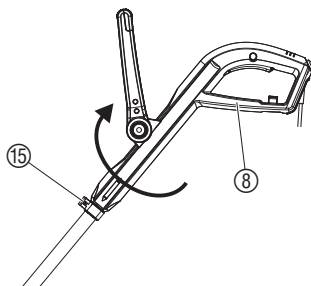
### ComfortCut 450 / PowerCut 500:

1. Setting the plant guard ⑱ to parking position (see "Adjusting the plant guard").
2. Set handle angle to position 3 (see "Setting the working position").
3. Push slider ⑲ upwards, turn handle ⑳ through 90° and let slider ⑲ lock into place (see arrows P on articulated fork and handle holder).

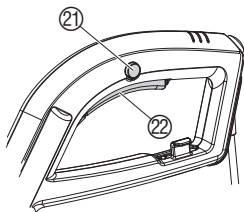


### EasyCut 400 / 480:

- Open clamping lever ⑮, turn upper part of handle ⑧ through 180° and close clamping lever ⑮ again.



### Starting the trimmer:



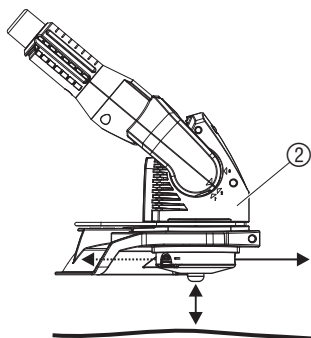
### Switching the trimmer on:

1. Press and hold the safety lock ⑲ and then press the start button ⑳ on the handle.
2. Release the safety lock ⑲ again.

### Switching the trimmer off:

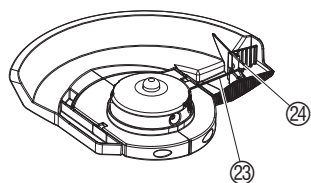
- Release the start button ⑳ on the handle.

### Filament feed (Tip mechanism):



The tip mechanism works **when the motor is running**. A clean cut is only achieved with the maximum filament length.

1. Start the trimmer.
2. Hold the cutting head ② parallel to the ground and tap the trimmer with the cutting head ② on the ground (avoid sustained pressure).



The cutting filament ⑲ is automatically lengthened with an audible switching process and adjusted to the correct length with the filament limiter ⑳. If necessary tap several times one after the other.

## 5. Storage

### Storage:

The Turbotrimmer must be stored out of the reach of children.  
→ Store your Turbotrimmer in a dry place where it is protected from frost.

**Recommendation:** The trimmer can be hung up by the handle. The cutting head is not put under any unnecessary strain if the trimmer is stored hanging up.

### Disposal:

(in accordance with  
RL2002/96/EC)



The product must not be added to normal household waste. It must be disposed of in line with local environmental regulations.  
→ Important: Make sure that the unit is disposed of via your municipal recycling collection centre.

## 6. Maintenance

### RISK OF INJURY !



**There is a risk of injury from the cutting filament!**

→ Always unplug the mains plug of the Turbotrimmer before carrying out maintenance work!

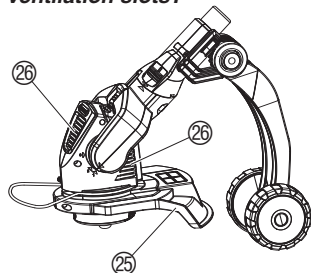
### RISK OF INJURY !



**Risk of injury and risk of damage to property!**

→ Never clean the Turbotrimmer under running water or with a water jet (in particular a high pressure water jet).

### Cleaning the cover and the ventilation slots:

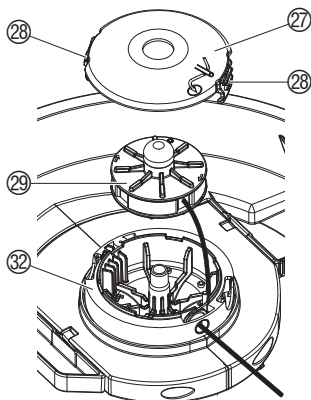


**The ventilation slots must always be free of dirt.**

→ After each use remove grass and dirt residue from the cover (26) and the ventilation slots (25).

(PowerCut 500 has ventilation slots on the front (26)).

### Replacing the filament cassette:



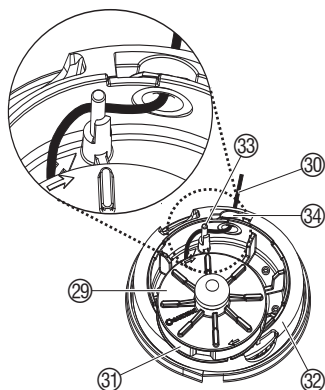
### RISK OF INJURY !

→ Never use metallic cutting elements or replacement parts and accessories not provided by GARDENA.

**Only use original GARDENA Filament Cassettes. You can order Replacement Filament Cassettes from your GARDENA dealer or directly from the GARDENA Customer Service.**

- Filament Cassette for EasyCut 400 / 480 / ComfortCut 450 / PowerCut 500: **Art. No. 5307**

1. Unplug the mains plug.
2. Turn over the Turbotrimmer and rest it on the rubber buffer of the handle.
3. Press in cassette cover (27) on the two catches (28) at the same time and remove.
4. Remove the filament cassette (29).



5. Remove any dirt.
6. Pull approximately 15 cm of the filaments ⑩ out of the new filament cassette ⑨ through the hole in the plastic ring ⑪.
7. First thread the filament ⑩ through the metal sleeve ⑭ and then around the guide pin ⑬.
8. Insert the filament cassette ⑨ into the filament cassette holder ⑫.
9. Fit the cassette cover ⑰ on the filament cassette holder ⑫ so that you hear both locking clips ⑱ click into place.

When fitting the cassette cover, ⑰ the filament ⑩ must be placed around the guide pin ⑬ and must not be trapped.

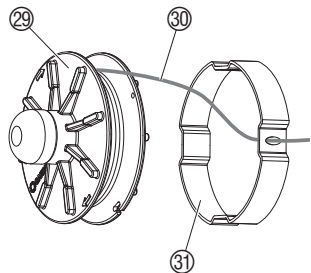
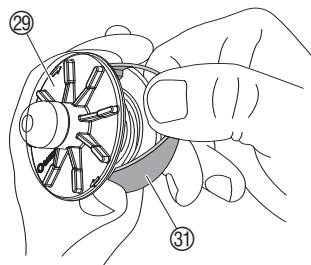
→ If the cassette cover ⑰ cannot be touched down, turn the filament cassette ⑨ to and fro, until the filament cassette ⑨ is completely in the filament cassette holder ⑫.

## 7. Troubleshooting

### RISK OF INJURY !



#### **Pulling the filament out of the filament cassette:**



### Risk of injury from the cutting filament!

→ Always unplug the mains plug of the Turbotrimmer before troubleshooting.

If a filament is drawn into the filament cassette you can pull it out again as described below.

1. Unplug the mains plug.
2. Remove the filament cassette ⑨ as described under 6. Maintenance "Replacing the filament cassette".
3. Press together the plastic ring ⑪ on the filament cassette ⑨ between your thumb and forefinger.
4. Draw the plastic ring ⑪ over the side part of the filament cassette (use a screwdriver if necessary).  
*You can now access the filament that was drawn into the filament cassette.*
5. Unwind the filament ⑩ approximately 15 cm and thread it through the eye of the plastic ring ⑪. If necessary, loosen the filament beforehand using a screwdriver.
6. Pull the plastic ring ⑪ back over the filament cassette ⑨.
7. Reinstall the filament cassette as described under 6. Maintenance "Replacing the filament cassette".



Fault	Possible cause	Remedy
The Turbotrimmer no longer cuts	Filament worn or too short.	→ Lengthen the filament – see 4. Operation “ <i>Filament feed (Tip mechanism for automatic filament feed)</i> ”.
	Filament cassette empty.	→ Replace the filament cassette – see 6. Maintenance “ <i>Replacing the filament cassette</i> ”.
	Filament drawn into the cassette or stuck together.	→ Pull the filament out of the filament cassette (see above).



In the event of other faults please contact GARDENA Service. Repairs should only be carried out by GARDENA service centres or dealers authorised by GARDENA.

## 8. Accessories

GARDENA Replacement Filament Cassette **Art. No. 5307**

GARDENA Additional wheel for EasyCut 400 / 480 **Art. No. 5310**

## 9. Technical Data

Turbotrimmer	EasyCut 400 (Art. 8846)	EasyCut 480 (Art. 8846-40)	ComfortCut 450 (Art. 8847)	PowerCut 500 (Art. 8848)
Motor power consumption	400 W	480 W	450 W	500 W
Mains voltage / mains frequency	230 V / 50 Hz	230 V / 50 Hz	230 V / 50 Hz	230 V / 50 Hz
Filament thickness	1.6 mm	1.6 mm	1.6 mm	1.6 mm
Cutting width	250 mm	250 mm	250 mm	270 mm
Filament supply	6 m	6 m	6 m	6 m
Filament feed	Tipp-Automatik	Tipp-Automatik	Tipp-Automatik	Tipp-Automatik
Weight	ca. 2.4 kg	ca. 2.4 kg	ca. 2.8 kg	ca. 3.0 kg
Rpm of filament cassette	ca. 12,700 U/min	ca. 12,700 U/min	ca. 12,700 U/min	ca. 12,300 U/min
Work area related emission characteristic value $L_{pA}^{1)}$	85 dB (A)	85 dB (A)	85 dB (A)	85 dB (A)
Noise level $L_{WA}^{2)}$	measured 95 dB (A) guaranteed 96 dB (A)	measured 95 dB (A) guaranteed 96 dB (A)	measured 95 dB (A) guaranteed 96 dB (A)	measured 95 dB (A) guaranteed 96 dB (A)
Hand/arm vibration $a_{vhw}^{1)}$	< 2.5 m/s <sup>2</sup>	< 2.5 m/s <sup>2</sup>	< 2.5 m/s <sup>2</sup>	

Measuring method according to 1) EN 786 2) directive 2000/14/EC

GARDENA guarantees this product for 2 years (from date of purchase). This guarantee covers all serious defects of the unit that can be proved to be material or manufacturing faults. Under warranty we will either replace the unit or repair it free of charge if the following conditions apply:

- The unit must have been handled properly and in keeping with the requirements of the operating instructions.
- Neither the purchaser or a non-authorised third party have attempted to repair the unit.

The filament cassette and cassette cover are consumables and are not covered by the guarantee.

This manufacturer's guarantee does not affect the user's existing warranty claims against the dealer/seller.

If a fault occurs with your Turbotrimmer, please return the faulty unit together with a copy of the receipt and a description of the fault, with postage paid to one of the GARDENA Service Centres listed on the back of these operating instructions.

## D Produkthaftung

Wir weisen ausdrücklich darauf hin, dass wir nach dem Produkthaftungsgesetz nicht für durch unsere Geräte hervorgerufene Schäden einzustehen haben, sofern diese durch unsachgemäße Reparatur verursacht oder bei einem Teileaustausch nicht unsere Original GARDENA Teile oder von uns freigegebene Teile verwendet werden und die Reparatur nicht vom GARDENA Service oder dem autorisierten Fachmann durchgeführt wird. Entsprechendes gilt für Ergänzungsstücke und Zubehör.

## GB Product Liability

We expressly point out that, in accordance with the product liability law, we are not liable for any damage caused by our units if it is due to improper repair or if parts exchanged are not original GARDENA parts or parts approved by us, and, if the repairs were not carried out by a GARDENA Service Centre or an authorised specialist. The same applies to spare parts and accessories.

## F Responsabilité

Nous vous signalons expressément que GARDENA n'est pas responsable des dommages causés par ses appareils, dans la mesure où ces dommages seraient causés suite à une réparation non conforme, dans la mesure où, lors d'un échange de pièces, les pièces d'origine GARDENA n'auraient pas été utilisées, ou si la réparation n'a pas été effectuée par le Service Après-Vente GARDENA ou l'un des Centres SAV agréés GARDENA. Ceci est également valable pour tout ajout de pièces et d'accessoires autres que ceux préconisés par GARDENA.

## NL Productaansprakelijkheid

Wij wijzen er nadrukkelijk op, dat wij op grond van de wet aansprakelijkheid voor producten niet aansprakelijk zijn voor schade ontstaan door onze apparaten, indien deze door onvakkundige reparatie veroorzaakt zijn, of er bij het uitwisselen van onderdelen geen gebruik gemaakt werd van onze originele GARDENA onderdelen of door ons vrigegeven onderdelen en de reparatie niet door de GARDENA technische dienst of de bevoegde vakman uitgevoerd werd. Ditzelfde geldt voor extra-onderdelen en accessoires.

## S Produktansvar

Tillverkaren är inte ansvarig för skada som orsakats av produkten om skadan beror på att produkten har reparerats felaktigt eller om, vid reparation eller utbyte, andra än Original GARDENA reservdelar har använts. Samma sak gäller för kompletteringsdelar och tillbehör.

## DK Produktansvar

Vi gør udtrykkeligt opmærksom på at i henhold til produktansvarsloven er vi ikke ansvarlige for skader forårsaget af vores udstyr, hvis det skyldes uautoriserede reparationer eller hvis dele er skiftet ud og der ikke er anvendt originale GARDENA dele eller dele godkendt af os, eller hvis reparationerne ikke er udført af GARDENA-service eller en autoriseret fagmand. Det samme gælder for ekstra udstyr og tilbehør.

## FIN Tuotevastuu

Korostamme nimenomaan, että tuotevastuulain nojalla emme ole vastuussa laitteistamme johtuneista vahingoista, mikäli nämä ovat aiheutuneet epäasianmukaisesta korjauksesta tai osia vaihdettaessa ei ole käytetty alkuperäisiä GARDENA- varaosia tai hyväksymiämme osia ja korjauksen on suorittanut muu kuin GARDENA -huoltokeskus tai valtuuttamamme ammattihenkilö. Tämä pätee myös lisäosiin ja lisävarusteisiin.

## I Responsabilità del prodotto

Si rende espressamente noto che, conformemente alla legislazione sulla responsabilità del prodotto, non si risponde di danni causati da nostri articoli se originati da riparazioni eseguite non correttamente o da sostituzioni di parti effettuate con materiale non originale GARDENA o comunque da noi non approvato e, in ogni caso, qualora l'intervento non venga eseguito da un centro assistenza GARDENA o da personale specializzato autorizzato. Lo stesso vale per le parti complementari e gli accessori.

## E Responsabilidad de productos

Advertimos que conforme a la ley de responsabilidad de productos no nos responsabilizamos de daños causados por nuestros aparatos, siempre y cuando dichos daños hayan sido originados por arreglos o reparaciones indebidas, por recambios con piezas que no sean piezas originales GARDENA o bien piezas autorizadas por nosotros, así como en aquellos casos en que la reparación no haya sido efectuada por un Servicio Técnico GARDENA o por un técnico autorizado. Lo mismo es aplicable para las piezas complementarias y accesorios.

## P Responsabilidade sobre o produto

Queremos salientear que segundo a lei da responsabilidade do fabricante, nós não nos responsabilizaremos por danos causados pelo nosso equipamento, quando estes ocorrerem em decorrência de reparações inadequadas ou da substituição de peças por peças não originais da GARDENA, ou peças não autorizadas. A responsabilidade tornar-se-à nula também depois de reparações realizadas por oficinas não autorizadas pela GARDENA. Esta restrição valerá também para peças adicionais e acessórios.

<p><b>D EG-Konformit�tserkl�ring</b></p> <p>Der Unterzeichnete Husqvarna AB, 561 82 Huskvarna, Sweden best�tigt, dass die nachfolgend bezeichneten Ger�te in der von uns in Verkehr gebrachten Ausf�hrung die Anforderungen der harmonisierten EU-Richtlinien, EU-Sicherheitsstandards und produktspezifischen Standards erf�llen. Bei einer nicht mit uns abgestimmten �nderung der Ger�te verliert diese Erkl�rung ihre G�ltigkeit.</p>	<p><b>H EU azonosos�gi nyilatkozat</b></p> <p>Alulirott, Husqvarna AB, 561 82 Huskvarna, Sweden, igazolja, hogy az al�bb felsorolt, �ltalunk forgalomba hozott term�kek megfelelnek az EU elv�r�soknak, EU biztons�gi norm�knak �s a term�kspecifikus szabv�nyoknak egyar�nt. A k�szl�k vel�nk nem egyeztetett v�ltoztat�sa esetén ez a nyilatkozat �rv�ny�t veszti.</p>
<p><b>GB EU Declaration of Conformity</b></p> <p>The undersigned Husqvarna AB, 561 82 Huskvarna, Sweden, hereby certifies that, when leaving our factory, the units indicated below are in accordance with the harmonised EU guidelines, EU standards of safety and product specific standards. This certificate becomes void if the units are modified without our approval.</p>	<p><b>CZ ES Prohl�sen� o shod�</b></p> <p>N�ze podepsan� spole�nost Husqvarna AB, 561 82 Huskvarna, Sweden, potvrzuje, �e n�ze ozna�en� pr�stroj v provedeni, kter� jsme uvedli na trh, spl�uje po�adavky uvedene v harmonizovan�ch sm�rnicih EU, v bezpe�nostn�ch standardech EU a ve standardech pro dan� produkt. V p�r�pad� zm�ny pr�stroje, kter� n�mi nebyla odsouhlasena, ztr�c� toto prohl�sen� platnost.</p>
<p><b>F Certificat de conformit� aux directives europ�ennes</b></p> <p>Le constructeur, soussign� : Husqvarna AB, 561 82 Huskvarna, Sweden, d�clare qu'� la sortie de ses usines le mat�riel neuf design� ci-dessous �tait conforme aux prescriptions des directives europ�ennes �nonc�es ci-apr�s et conforme aux r�gles de s�curit� et autres r�gles qui lui sont applicables dans le cadre de l'Union europ�enne. Toute modification port�e sur ce produit sans l'accord express de Husqvarna supprime la validit� de ce certificat.</p>	<p><b>SK ES Vyhlasenie o zhode</b></p> <p>Dolu podpisan� spolo�nosť Husqvarna AB, 561 82 Huskvarna, Sweden, potvrdzuje, �e ďalej ozna�en� pr�stroj vo vyhotoveni nami uvedenom do prev�dzky spl�va po�adavky harmonizovan�ch smernic EU, bezpe�nostn�ch štandardov EU a štandardov špecifick�ch pre produkt. V p�r�pad� zmeny pr�stroja, ktor� nebola nami odsuhlasen�, stráca toto vyhl�senie platnosť.</p>
<p><b>NL EU-overeenstemmingsverklaring</b></p> <p>Ondergetekende Husqvarna AB, 561 82 Huskvarna, Sweden, bevestigt, dat het volgende genoemde apparaat in de door ons in de handel gebrachte uitvoering voldoet aan de eis van, en in overeenstemming is met de EU-richtlijnen, de EU-veiligheidsstandaard en de voor het product specifieke standaard. Bij een niet met ons afgestemde verandering aan het apparaat verliest deze verklaring haar geldigheid.</p>	<p><b>GR Πιστοποιητικό συμφωνίας ΕΚ</b></p> <p>Η υπογεγραμμένη : Husqvarna AB, 561 82 Huskvarna, Sweden πιστοποιεί ότι τα μηχανήματα που υποδεικνύονται κάτωθι, όταν φεύγουν από το εργοστάσιο, είναι κατασκευασμένα σύμφωνα με τις οδηγίες της Ευρωπαϊκής Κοινότητας, τα Κοινωνικά πρότυπα ασφαλείας και τις προδιαγραφές. Αυτό το πιστοποιητικό δεν ισχύει σε περίπτωση που τα προϊόντα τροποποιηθούν χωρίς την έγκρισή μας.</p>
<p><b>S EU Tillverkarintyg</b></p> <p>Undertecknad firma Husqvarna AB, 561 82 Huskvarna, Sweden, intygar h�rmed att nedan n�mnda produkter �verensst�mmer med EU:s direktiv, EU:s s�kerhetsstandard och produktspecifikation. Detta intyg upph�r att g�lla om produkten �ndras utan v�rt tillst�nd.</p>	<p><b>SLO Izjava o skladnosti s pravili EU</b></p> <p>Podpisano podjetje, Husqvarna AB, 561 82 Huskvarna, Sweden, potrjuje, da v nadaljevanju navedena naprava v razli�ci, ki smo jo poslali na trg, izpolnjuje zahteve smernic EU, varnostnih standardov EU in standardov tovornih proizvodov. Izjava ne velja za spremembe na napravi, ki niso opravljene v soglasju z nami.</p>
<p><b>DK EU Overensstemmelse certificat</b></p> <p>Undertegnede Husqvarna AB, 561 82 Huskvarna, Sweden bekr�fter hermed, at enheder listet herunder, ved afsendelse fra fabrikken, er i overensstemmelse med harmoniserede EU retningslinier, EU sikkerhedsstandarder og produkt-specifikationsstandarder. Dette certificat tr�der ud af kraft hvis enhederne er �ndret uden vor godkendelse.</p>	<p><b>RO UE - Certificat de conformitate</b></p> <p>Prin prezenta Husqvarna AB, 561 82 Huskvarna, Sweden, certifica faptul ca, in momentul in care produsele mentionate mai jos ies din fabrica sunt in concordanta cu directivele UE, standardele de siguranta UE si standardele specifice ale produsului UE. Acest certificat devine nul in cazul modificarii aparatului fara aprobarea noastra.</p>
<p><b>FIN EY-vaatimustenmukaisuusvakuutus</b></p> <p>Allerkirjoittanut Husqvarna AB, 561 82 Huskvarna, Sweden vakuuttaa, ett� allamainittu laitteet t�ytt�v�t tehtaaltamme l�htess�n yhdenmukaistettujen EY-direktiivien, EY-turvallisuusstandardien ja tuotekohtaisten standardien vaatimukset. Laitteisiin tehdyt muutokset, joista ei ole sovittu kanssamme, johtavat t�m�n vakuutuksen raukaamiseen.</p>	<p><b>BG ES-Декларация за съответствие</b></p> <p>Подписаната фирма Husqvarna AB, 561 82 Huskvarna, Sweden декларира, че описаните подолу уреди, пуasnati в продажба съгласно нашата спецификация, изпълняват изискванията на хармонизираните ЕС-директиви, ЕС-станданти за безопасност и специфичните производствени стандарти. При промяна на уреда, която не е съгласувана с нас, тази декларация губи своята валидност.</p>
<p><b>I Dichiarazione di conformit� alle norme UE</b></p> <p>La sottoscritta Husqvarna AB, 561 82 Huskvarna, Sweden, certifica che il prodotto qui di seguito indicato, nei modelli da noi commercializzati, � conforme alle direttive armonizzate UE nonch� agli standard di sicurezza e agli standard specifici di prodotto. Qualunque modifica apportata al prodotto senza nostra specifica autorizzazione invalida la presente dichiarazione.</p>	<p><b>EST Eli vastavuseklaratsioon</b></p> <p>Allakirjutuna Husqvarna AB, 561 82 Huskvarna, Sweden kinnitab, et kirjeldatud seade vastab meie poolt ringluse viidud kujul Eli harmoneeritud direktiividele, ELi ohutusstandarditele ja tootega seotud standarditele. Meiega koosk�lastamata muudatuse tegemise korral seadmel kaotab see deklaratsioon kehtivuse.</p>
<p><b>E Declaraci�n de conformidad de la UE</b></p> <p>El que suscribe Husqvarna AB, 561 82 Huskvarna, Sweden, declara que la presente mercancia, objeto de la presente declaraci�n, cumple con todas las normas de la UE, en lo que a normas t�cnicas, de homologaci�n y de seguridad se refiere. En caso de realizar cualquier modificaci�n en la presente mercancia sin nuestra previa autorizaci�n, esta declaraci�n pierde su validez.</p>	<p><b>LT ES Atitikties deklaracija</b></p> <p>Pasirašanti Husqvarna AB, 561 82 Huskvarna, Sweden patvirtina, kad žemiau nurodyti prietaisai ir jų modeliai, kuriuos paleidome į apyvartą, patenkinia harmonizuotas ES direktyvas, ES saugumo standartus ir specifinius gaminio standartus. Atlikus bet kokį prietaiso pakeitimą, kuris nėra suderintas su mumis, ši deklaracija praranda galiojimą.</p>
<p><b>P Certificado de conformidade da UE</b></p> <p>Os abaixo mencionados Husqvarna AB, 561 82 Huskvarna, Sweden, por este meio certificam que ao sair da f�brica o aparelho abaixo mencionado est� de acordo com as directivas harmonizadas da UE, padr�es de seguran�a e de produtos espec�ficos. Este certificado ficar� nulo se a unidade for modificada sem a nossa aprova�o.</p>	<p><b>LV ES-atbilstības deklar�cija</b></p> <p>Parakst�jusies Husqvarna AB, 561 82 Huskvarna, Sweden, V�cija apstiprina, ka sekojoši apzīm�tās iek�rtas, kuras mēs izplatām, sav� izpildījumā atbilst harmoniz�tajam ES direkt�vam, ES drošības standartiem un produkta specifiskajiem standartiem. Ar mūsu neapstiprin�tām izmaiņ�m iek�rt� š� deklar�cija zaud� savu derīgumu.</p>
<p><b>PL Deklaracja zgodności Unii Europejskiej</b></p> <p>Niżej podpisany Husqvarna AB, 561 82 Huskvarna, Sweden, potwierdza, �e poniżej opisane urz�dzenie w wykonaniu wprowadzonym przez nas do obrotu spełnia wymogi zharmonizowanych wytycznych Unii Europejskiej, standardów bezpiecze�stwa Unii Europejskiej i standardów specyficznych dla danego produktu. W przypadku wprowadzenia zmian nie uzgodnionych z nami wyjaśnienie to traci swoj� w�żno�.</p>	



**Deutschland / Germany**  
GARDENA GmbH  
Central Service  
Hans-Lorenser-Straße 40  
D-89079 Ulm  
Produktfragen:  
(+49) 731 490-123  
Reparaturen:  
(+49) 731 490-290  
service@gardena.com

**Albania**  
COBALT Sh.p.k.  
Rr. Siri Kodra  
1000 Tirana

**Argentina**  
Husqvarna Argentina S.A.  
Av.del Libertador 5954 -  
Piso 11 - Torre B  
(C1428ARP) Buenos Aires  
Phone: (+54) 11 5194 5000  
info.gardena@  
ar.husqvarna.com

**Armenia**  
Garden Land Ltd.  
61 Tigran Mets  
0005 Yerevan

**Australia**  
Husqvarna Australia Pty. Ltd.  
Locked Bag 5  
Central Coast BC  
NSW 2252  
Phone: (+61) (0) 2 4352 7400  
customer.service@  
husqvarna.com.au

**Austria / Österreich**  
Husqvarna Austria GmbH  
Consumer Products  
Industriezeile 36  
4010 Linz  
Tel.: (+43) 732 77 01 01-90  
consumer.service@  
husqvarna.at

**Azerbaijan**  
Firm Progress a.  
Aliyev Str. 26A  
10522 Baku

**Belgium**  
GARDENA Belgium NV/SA  
Sterrebeekstraat 163  
1930 Zaventem  
Phone: (+32) 2 72 92 12  
Mail: info@gardena.be

**Bosnia / Hercegovina**  
SILK TRADE d.o.o.  
Industrijska zona Bukva bb  
74260 Tešanj

**Brazil**  
Husqvarna do Brasil Ltda  
Av. Francisco Matrazzo,  
1400 - 19º andar  
São Paulo - SP  
CEP: 05001-903  
Tel: 0800-112252  
marketing.br.husqvarna@  
husqvarna.com.br

**Bulgaria**  
Хускварна България ЕООД  
Бул. „Андрей Липчев“ № 72  
1799 София  
Тел.: (+359) 02/9753076  
www.husqvarna.bg

**Canada / USA**  
GARDENA Canada Ltd.  
100 Summerlea Road  
Brampton, Ontario L6T 4X3  
Phone: (+1) 905 792 9330  
info@gardena.canada.com

**Chile**  
Maquinarias Agroforestales  
Ltda. (Maga Ltda.)  
Santiago, Chile  
Avda. Chesterton  
# 8355 comuna Las Condes  
Phone: (+56) 2 202 4417  
Dalton@мага.cl  
Zipcode: 7560330

Temuco, Chile  
Avda. Valparaiso # 01466  
Phone: (+56) 45 222 126  
Zipcode: 4780441

**China**  
Husqvarna (China) Machinery  
Manufacturing Co., Ltd.  
No. 1355, Jia Xin Rd.  
Ma Lu Zhen, Jia Ding Dist.,  
Shanghai  
201801  
Phone: (+86) 21 59159629  
Domestic Sales  
www.gardena.com.cn

**Colombia**  
Husqvarna Colombia S.A.  
Calle 18 No. 68 D-31, zona  
Industrial de Montevideo  
Bogotá, Cundinamarca  
Tel. 571 2922700 ext. 105  
jairo.salazar@  
husqvarna.com.co

**Costa Rica**  
Compania Exim  
Euroiberomericana S.A.  
Los Colegios, Moravia,  
200 metros al Sur del Colegio  
Saint Francis - San José  
Phone: (+506) 297 68 83  
exim\_euro@racsa.co.cr

**Croatia**  
SILK ADRIA d.o.o.  
Josipa Lončara 3  
10090 Zagreb  
Phone: (+385) 1 3794 580  
silk.adria@zg-t.com.hr

**Cyprus**  
Med Marketing  
17 Digeni Akritas Ave  
P.O. Box 27017  
1641 Nicosia

**Czech Republic**  
Husqvarna Česko s.r.o.  
Türkova 2319/5b  
149 00 Praha 4 – Chodov  
Bezpłatná infolinika:  
800 100 425  
servis@cz.husqvarna.com

**Denmark**  
GARDENA / Husqvarna  
Consumer Outdoor Products  
Salgsafdelning Danmark  
Box 9003  
S-200 39 Malmö  
info@gardena.dk

**Dominican Republic**  
BOSQUESA, S.R.L.  
Carretera Santiago Licey  
Km. 5 ½  
Esquina Copal II.  
Santiago, Dominican Republic  
Phone: (+809) 736-0333  
joserbosquesa@claro.net.do

**Ecuador**  
Husqvarna Ecuador S.A.  
Arujos E1-181 y 10 de Agosto  
Quito, Pichincha  
Tel: (+593) 22800739  
francisco.jacome@  
husqvarna.com.ec

**Estonia**  
Husqvarna Eesti OÜ  
Consumer Outdoor Products  
Kesk tee 10, Aaviku küla  
Rae vald  
Harju maakond  
75005 Estonia  
kontakt.etj@husqvarna.ee

**Finland**  
Oy Husqvarna Ab  
Consumer Outdoor Products  
Lautatarhankatu 8 B / PL 3  
00581 HELSINKI  
info@gardena.fi

**France**  
GARDENA France  
Immeuble Expositiel  
9-11 allée des Pierres Mayettes  
Zac des Barbantières, B.P. 99  
-F- 92232 GENNEVILLIERS  
cedex  
Tél. (+33) 01 40 85 30 40  
service.consommateurs@  
gardena.fr

**Georgia**  
ALD Group  
Beliashevli 8  
1159 Tbilisi

**Great Britain**  
Husqvarna UK Ltd  
Preston Road  
Aycliffe Industrial Park  
Newton Aycliffe  
County Durham  
DL5 6UP  
info.gardena@  
husqvarna.co.uk

**Greece**  
HUSQVARNA ΕΛΛΑΣ Α.Ε.Β.Ε.  
Υπ./μτ Ηφαιστίου 33Α  
Βτ. Πλ. Κορωπίου  
194 00 Κορωπί Αττικής  
V.A.T. EL094094640  
Phone: (+30) 210 6620 225  
info@husqvarna-consumer.gr

**Hungary**  
Husqvarna Magyarorszáig Kft.  
Ezred u. 1-3  
1044 Budapest  
Telephone: (+36) 1 251-4161  
vevozszoigalat.husqvarna@  
husqvarna.hu

**Iceland**  
Ö. Johnson & Kaaber  
Túnguhalsi 1  
110 Reykjavik  
ooj@ojk.is

**Ireland**  
Husqvarna UK Ltd  
Preston Road  
Aycliffe Industrial Park  
Newton Aycliffe  
County Durham  
DL5 6UP  
info.gardena@  
husqvarna.co.uk

**Italy**  
Husqvarna Italia S.p.A.  
Via Como 72  
23868 VALMADRERA (LC)  
Phone: (+39) 0341.203.111  
info@gardenaitalia.it

**Japan**  
KAKIUCHI Co. Ltd.  
Sumitomo Realty &  
Development Kojimachi  
BLDG., 8F  
5-1 Nibanncyo  
Chiyoda-ku  
Tokyo 102-0084  
Phone: (+81) 33 264 4721  
m\_ishihara@kaku-ichi.co.jp

**Kazakhstan**  
LAMED Ltd.  
155/1, Tazhibayevy Str.  
050060 Almaty  
IP Schmidt  
Abayavenue 3B  
110 005 Kostanay

**Kyrgyzstan**  
Alye Maki  
av. Moladaya Guardir J 3  
720014  
Bishkek

**Latvia**  
Husqvarna Latvija  
Consumer Outdoor Products  
Bākuži iela 6  
LV-1024 Rīga  
info@husqvarna.lv

**Lithuania**  
UAB Husqvarna Lietuva  
Consumer Outdoor Products  
Ateities pl. 77C  
LT-52104 Kaunas  
centras@husqvarna.lt

**Luxembourg**  
Magasins Jules Neuberg  
39, rue Jacques Stas  
Luxembourg-Gaspersch 2549  
Case Postale No. 12  
Luxembourg 2010  
Phone: (+352) 40 14 01  
api@neuberg.lu

**Mexico**  
AFOSA  
Av Lopez Mateos Sur # 5019  
Col. La Calma 45070  
Zapopan, Jalisco  
Mexico  
Phone: (+52) 33 3818-3434  
icornejo@afosa.com.mx

**Moldova**  
Convel S.R.L.  
290A Muncestl Str.  
2002 Chisinau

**Netherlands**  
GARDENA Nederland B.V.  
Postbus 50176  
1305 AD ALMERE  
Phone: (+31) 36 521 00 00  
info@gardena.nl

**Neth. Antilles**  
Jonka Enterprises N.V.  
Sta. Rosa Weg 196  
P.O. Box 8200  
Curaçao  
Phone: (+599) 9 767 66 55  
pgm@jonka.com

**New Zealand**  
Husqvarna New Zealand Ltd.  
PO Box 76-437  
Manukau City 2241  
Phone: (+64) (0) 9 9202410  
support.nz@husqvarna.co.nz

**Norway**  
GARDENA  
Husqvarna Consumer  
Outdoor Products  
Salgskontor Norge  
Kleiverveien 6  
1540 Vestby  
info@gardena.no

**Peru**  
Husqvarna Perú S.A.  
Jr. Ramón Cárcamo 710  
Lima 1  
Tel: (+51) 1 3320400 ext. 416  
juan\_remuigo@  
husqvarna.com

**Poland**  
Husqvarna  
Poland Spółka z o.o.  
ul. Wysockiego 15 b  
03-371 Warszawa  
Phone: (+48) 22 330 96 00  
gardena@gardena.pl

**Portugal**  
Husqvarna Portugal, SA  
Lagoa - Albarraque  
2635 - 595 Rio de Mouro  
Tel: (+351) 21 922 85 30  
Fax: (+351) 21 922 85 36  
info@gardena.pt

**Romania**  
Maded International Srl  
Soseaua Odaii 117 - 123,  
RO 013603  
București, S1  
Phone: (+40) 21 352.76.03  
madex@mes.ro

**Russia**  
ООО „Хускварна“  
141400, Московская обл.,  
г. Химки,  
улица Ленинградская,  
владение 39, стр.6  
Бизнес Центр  
„Химки Бизнес Парк“,  
помещение ОВ02\_04

**Serbia**  
Domel d.o.o.  
Autoput za Novi Sad bb  
11273 Belgrade  
Phone: (+381) 11 848 88 12  
miroslav.jejina@domel.rs

**Singapore**  
Hy-Ray PRIVATE LIMITED  
40 Jalan Pemimpin  
#02-08 Tat Ann Building  
Singapore 577185  
Phone: (+65) 6253 2277  
shiyang@hyray.com.sg

**Slovak Republic**  
Husqvarna Česko s.r.o.  
Türkova 2319/5b  
149 00 Praha 4 – Chodov  
Bezpłatná infolinika:  
800 154 044  
servis@sk.husqvarna.com

**Slovenia**  
Husqvarna Austria GmbH  
Consumer Products  
Industriezeile 36  
4010 Linz  
Tel.: (+43) 732 77 01 01-90  
consumer.service@  
husqvarna.at

**South Africa**  
Husqvarna  
South Africa (Pty) Ltd  
Postnet Suite 250  
Private Bag X6,  
Cascades, 3202  
South Africa  
Phone: (+27) 33 846 9700  
info@gardena.co.za

**Spain**  
Husqvarna España S.A.  
C/ Basauri, nº 6  
La Florida  
28023 Madrid  
Phone: (+34) 91 708 05 00  
atencioncliente@gardena.es

**Suriname**  
Agrofix n.v.  
Verlengde Hogestraat #22  
Phone: (+597) 472426  
agrofix@sr.net  
Pobox : 2006  
Paramaribo  
Suriname-South America

**Sweden**  
Husqvarna AB  
S-561 82 Huskvarna  
info@gardena.se

**Switzerland / Schweiz**  
Husqvarna Schweiz AG  
Consumer Products  
Industriestrasse 10  
5506 Mägenwil  
Phone: (+41) (0) 848 800 464  
info@gardena.ch

**Turkey**  
GARDENA Dost Diş Ticaret  
Müessesilik A.Ş.  
Sanayi Cad. Adil Sokak  
No: 1/B Kartal  
34873 Istanbul  
Phone: (+90) 216 38 93 939  
info@gardena-dost.com.tr

**Ukraine / Україна**  
ТОВ «Хусарна Україна»  
вул. Васильківська, 34,  
офіс 204-г  
03022, Київ  
Тел: (+38) 044 498 39 02  
info@gardena.ua

**Uruguay**  
FELI SA  
Intero Ríos 1083 CP 11800  
Montevideo - Uruguay  
Tel: (+598) 22 03 18 44  
info@felisa.com.uy

**Venezuela**  
Corporación Casa y Jardín C.A.  
Av. Caroní, Edif. Trezmen, PB.  
Colinas de Bello Monte.  
1050 Caracas.  
Tlf: (+58) 212 992 33 22  
info@casayjardin.net.ve

8846-20.960.05/1211  
© GARDENA  
Manufacturing GmbH  
D-89070 Ulm  
http://www.gardena.com