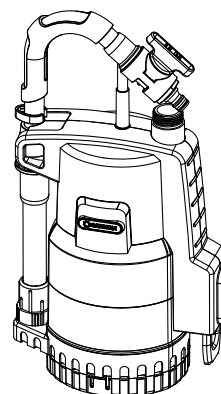


4000/2 Art. 1740



4000/2 automatic Art. 1742

D Betriebsanleitung
Regenfasspumpe

GB Operating Instructions
Rain Water Tank Pump

F Mode d'emploi
Pompe pour collecteur d'eau de pluie

NL Gebruiksaanwijzing
Regentonpomp

S Bruksanvisning
Pump för Regnvattentunna

DK Brugsanvisning
Regnvandspumpe

FI Käyttöohje
Sadevesipumppu

N Bruksanvisning
Regnvannstankpumpe

I Istruzioni per l'uso
Pompa per cisterna

E Instrucciones de empleo
Bomba para depósitos aguas pluviales

P Manual de instruções
Bomba para depósito de água de chuva

PL Instrukcja obsługi
Pompa do deszczówki

H Használati utasítás
Hordóúritó szivattyú

CZ Návod k obsluze
Čerpadlo do sudu

SK Návod na obsluhu
Čerpadlo do suda

GR Οδηγίες χρήσης
Αντλία συλλεκτών βρόχινου νερού

RUS Инструкция по эксплуатации
Инструкция по эксплуатации

SLO Navodilo za uporabo
Potopna črpalka za deževnico

HR Upute za uporabu
Pumpa za spremnike kišnice

SRB Uputstvo za rad
Pumpa za rezervoare kišnice

UA Інструкція з експлуатації
Насос для резервуарів з дощовою водою

RO Instrucțiuni de utilizare
Pompă pentru rezervor apă de ploaie

TR Kullanma Kılavuzu
Yağmur Suyu Tankı Pompası

BG Инструкция за експлоатация
Помпа за дъждовна вода

AL Manual përdorimi
Pompë fuçie për ujën e shiut

EST Kasutusjuhend
Vihmaveemahutipump

LT Eksploatavimo instrukcija
Lietaus vandens talpyklų siurblys

LV Lietošanas instrukcija
Lietus ūdens tvertnes sūknis

GARDENA Rain Water Tank Pump

4000/2 / 4000/2 automatic

GB



Translation of the original German operating instructions.

Please read the operating instructions carefully and observe the notes given. Use these operating instructions to familiarise yourself with the product, the proper use and the safety instructions.



For safety reasons, children and young people under the age of 16, as well as people not familiar with these operating instructions, may not use this product. Persons with reduced physical or mental abilities may use the product only if they are supervised or instructed by a responsible person. Children must be supervised to ensure that they do not play with the product.

→ Keep these operating instructions in a safe place.

Contents:

1. Area of application of your GARDENA Rain Water Tank Pump	9
2. Safety Instructions	9
3. Assembly	10
4. Initial Operation	10
5. Putting into Storage	13
6. Maintenance	13
7. Trouble-Shooting	14
8. Technical Data	15
9. Service/Warranty	15

1. Area of application of your GARDENA Rain Water Tank Pump

Purpose:

The GARDENA Rain Water Tank Pump is particularly suited for retrieving rainwater from rain water tanks, e.g. the GARDENA Rain Water Tank, and for watering with a sprinkler.

The pump is completely submersible (watertight encapsulation) and is submerged in the water (to a max. depth of 7m).

Please note:



The pump should not be used for the delivery of salt water, muddy water, corrosive, easily inflammable or explosive liquids (e.g. petrol, paraffin, thinners), oil, heating oil or food-stuffs.

The water temperature should not exceed 35 °C.

2. Safety Instructions

Electrical Safety

In accordance with VDE 0100, the pump may only be operated in non-accessible containers and only via a fault current circuit breaker with a rated leakage current ≤ 30 mA (DIN VDE 0100-702 and 0100-738, AS/NZS 3000).

→ Please consult a specialised electrical dealer.

Mains power cables should not have a smaller cross-section than a rubber-sheathed cable of the designation H05 RNF.

The cable length must be min. 10m.

Only use extension cables authorised in accordance with HD 516.

Mains plug and extension connections must be protected from water splashes.

Ensure that the electrical connections for plugs and sockets are made in areas safe from flooding.

Protect the mains plug and the mains power cable from heat, oil and sharp edges.

Observe the mains voltage. The information on the nameplate must be in agreement with the data for the mains power grid.

The pump's mains plug must be disconnected before anybody enters the swimming pool.

Do not interrupt the mains supply by unplugging at the power extension cable. Disconnect at the outlet socket.

The mains power cable must not be used for fastening or transporting the pump. Submersion and withdrawal of the pump should be by means of the telescopic pipe. Alternatively, a cord can be secured on the telescopic pipe for submersing, lifting and securing of the Rain Water Tank Pump.

Visual check

Please regularly check the connecting line. If the connecting line of this appliance is damaged, it has to be replaced by the manufacturer or the manufacturer's aftersales service or a similarly qualified person to prevent any hazards.

Before using, always subject the pump (especially the power cables and the power connections) to a visual inspection.

A pump which is damaged should not be used. In the event of damage, have the pump checked by GARDENA Service.

Safety Instructions

Observe the minimum water level in accordance with the characteristics given for the pump.

Only Art. No. 1740: Allow the pump to run no longer than 10 minutes against a closed pressure side.

Thermal overload protection switch

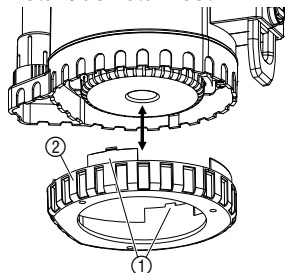
If overloaded, the built-in thermal protection for the motor will switch the pump off. After cooling down, the pump will start again automatically (see 7. Trouble-Shooting).

Automatic ventilation

The Rain Water Tank Pump is fitted with a venting outlet. The function of this venting outlet is to force out any air which may be present inside the pump. Small amounts of water flow out of the gap between the threaded connection and the housing; if the water level drops further down, water also flows out the lower part of the housing. This is no defect but occurs due to venting purposes.

3. Assembly

Install / deinstall foot:



When the pump is to be used for draining for a flat container, and is therefore placed on the ground, the foot can be assembled so that the pump suctions less dirt. The stand is included in the package.

Install foot:

→ From below, place the foot (2) on the pump until the two locks (1) click into place.

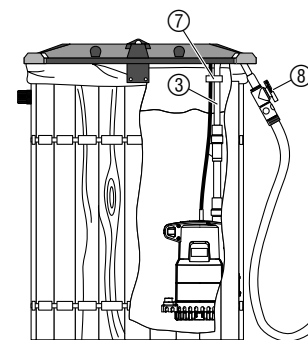
Deinstall foot:

→ Press the two locks (1) and pull the foot (2) from the pump.

4. Initial Operation

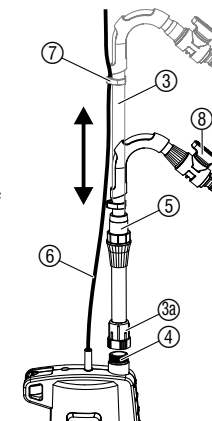
The telescopic pipe (3) is placed on the side of the pump in the transport position. The telescopic pipe is fitted with a GARDENA Regulator Valve. We recommend the use of a GARDENA Standard Hose Connector: **Art. No. 2015/2915** for 13mm (1/2") and **Art. No. 2016/2916** for 16mm (5/8") and 19mm (3/4") respectively, for connecting a garden hose. With the use of 19-mm-(3/4")-hose line, the pumping quantity is the greatest.

Pumping water from containers:



The length of the telescopic pipe (3) should be adjusted in such a manner that the pump does not touch the bottom of the container; this way, dirt in the container is kept away from the pump.

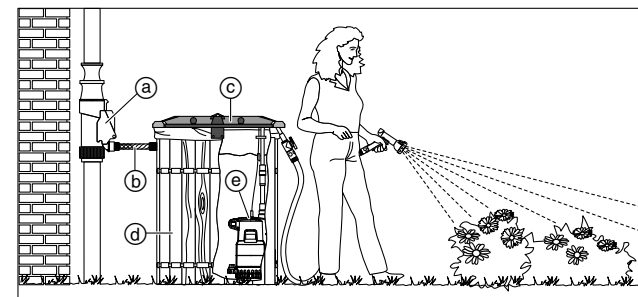
1. Pull telescopic pipe (3) from the side of the pump and screw onto the pump connector (4). Ensure that the washer lies in the mating thread (3a) of the telescopic pipe (3).
2. Loosen threaded collars (5) of the telescopic pipe (3).
3. Adjust telescopic pipe (3) to the height of the container.
The telescopic pipe can be adjusted between 73 – 91cm.
4. Turn threaded collars (5) until they hold firmly again.
5. Attach mains cable (6) with the attachment clip (7) on the telescopic pipe (3).
6. Hang pump with telescopic pipe (3) into the container.
7. Insert the power plug.
ATTENTION! *The pump begins operating immediately.*



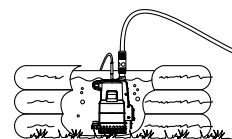
The shut-off valve (8) in an operating pump takes on the function of a water tap. With an open system (Micro-Drip-System, Sprinklers), the hose may not be placed deeper than the container as otherwise the water flows through the pump from the container even when the pump is switched off.

Complete solution:

- (a) GARDENA Rain Water Collection Filter
Art. No. 3820/3821
- (b) GARDENA Connecting Set
Art. No. 3815
- (c) GARDENA Cover for Rain Water Tank
Art. No. 3801/3805
- (d) GARDENA Rain Water Tank
Art. No. 3800/3804
- (e) GARDENA Rain Water Tank Pump
Art. No. 1740/1742



Use in shallow vessels:



If the Rain Water Tank Pump is used in a shallow vessel, e.g. to empty an inflatable children's pool, the telescopic pipe can be removed and replaced by the GARDENA Threaded Tap Connector 33.3mm (G 1) – **Art. No. 2902/2802**. The hose connection 13mm (1/2"), 16mm (5/8") or 19mm (3/4") is made using the Original GARDENA System or GARDENA Profi "Maxi-Flow" System threaded hose connectors.

Use in deep containers:

For deeper containers (up to max. 7m), the pump can no longer be hung on the telescopic pipe. The pump must then be attached through a cord connected to the telescopic pipe and submersed into the container.

Operation of a Micro-Drip-System:

The operation of a Micro-Drip-System is possible. Here, the maximum values stated in the accompanying manual of the Master Unit 2000 are reduced. With **Art. No. 1742**, at least 90 l/h must be taken as otherwise the leakage protection is activated.

4000/2 (Art. No. 1740):

So that the pump automatically switches off when there is no liquid to pump, the Float Switch ⑨ must be able to freely move on the surface of the water.

Switch-off height:

If the water level (with the foot fitted) drops below the cut-out level (approx. 25cm), the float switch ⑨ automatically switches off the pump (Dry-Running Safety).

Switch-on height:

When the water level has risen over the cut-in height (approx. 57cm), the Float Switch ⑨ automatically switches the pump on.

4000/2 automatic (Art. No. 1742):

The pump automatically switches off as soon as no more water is retrieved. Due to the non-return valve, the pressure is maintained in the hose until water is drawn via the hose. When water is drawn via the hose (the pressure in the hose falls below approx. 1.3 bar), the pump switches on automatically.

Automatic mode:

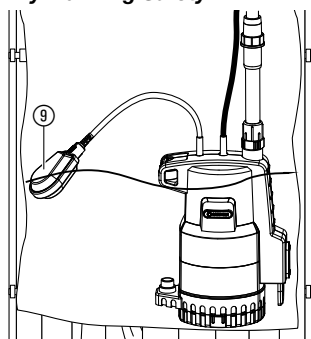
Dry-Running Safety:

When there is no liquid to pump, the pump automatically switches off. The pump then switches in the cycle on 30 sec. – 5 sec. off (4 x). In 1 hr., 5 hrs., 24 hrs., 24 hrs.... this cycle is repeated. As soon as the pump stands in at least 4.5 cm water, the pump is ready for operation again.

Leakage protection:

If there is leakage on the pressure side (e.g. a leaking pressure hose or connecting device), the pump automatically switches on and off in short intervals. When the pump switches on and off more frequently than 7 x in 2 min. (with a leakage less than 90 l/h), the pump switches completely off. When the leakage on the pressure side is eliminated, the pump must be unplugged and plugged in again in order to be operational again.

Dry-Running Safety:



5. Putting into Storage

Storage:



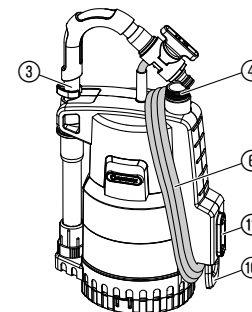
The storage location must not be accessible to children.

→ Store the pump away from frost before the first frost sets in.

Transport position:

1. Unscrew telescopic pipe ③ and attach to the side of pump. Here, ensure that the nose ① is slid into the slot ②.
2. Wind mains cable ⑥ around the cable holder ⑩ and the pump connector ④.

In the transport position, the pump can be carried by the telescopic pipe ③. For easier winding of the mains cable ⑥, push up the slide bar ⑪ of the cable holder ⑩.



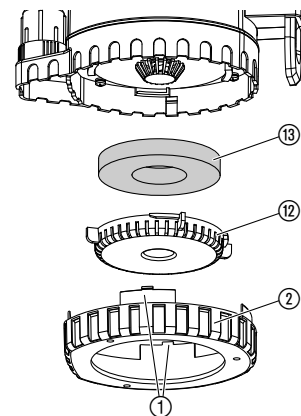
Disposal:
(in accordance with
RL2002/96/EC)



The product must not be added to normal household waste. It must be disposed of in line with local environmental regulations.

6. Maintenance

Clean filter:



⚠ DANGER! Electric shock!
There is a risk of injury from electric shocks.
→ **Before maintenance, unplug the Rain Water Tank Pump from the mains.**

After pumping dirty water, the filter should be cleaned.

1. Press the two locks ① and remove the foot ② from the pump.
2. Turning suction foot ⑫ 1/4 to the left and remove (bayonet lock).
3. Remove ⑬ filter and clean under running water.
4. Re-install ⑬ filter in the opposite sequence.

7. Trouble-Shooting



DANGER! Electric shock!

There is a risk of injury from electric shocks.

→ Before correcting functional problems unplug the Rain Water Tank Pump from the mains.

Problem	Possible Cause	Remedy
Pump is running, but doesn't deliver	Air cannot escape, because the pressure line is closed. (Possible kink in the pressure hose.)	→ Open the pressure line (e. g. shut-off valve, delivery units).
	Air in suction foot.	→ Wait for about max. 60 seconds until the pump has vented; if necessary, turn off and then on again.
	Foot/Suction foot/Filter is clogged.	→ Unplug at the mains and clean filter (see 6. Maintenance).
	Water level below minimum water level when put into operation.	→ Submerge the pump deeper.
Pump does not start, or stops suddenly during operation	Thermal switch has turned the pump off because of overheating.	→ Unplug at the mains and clean filter (see 6. Maintenance). Observe max. media temperature (35 °C).
	Pumping without electricity.	→ Check fuses and electrical plug connections.
Pump is running but the delivery drops suddenly	Foot/Suction foot/Filter is clogged.	→ Unplug at the mains and clean filter (see 6. Maintenance).
Only with 1742: Pump irregularly switches on and off	Leakage protection activated due to leaking.	→ Check telescopic tube, hose and dispensing device and remove leakage.



For any other malfunctions please contact the GARDENA service department. Repairs must only be carried out by GARDENA service departments or specialist dealers authorised by GARDENA.

8. Technical Data

Art. No.	1740 (4000/2)	1742 (4000/2 automatic)
Rated power	500 W	500 W
Max. delivery capacity	4.000 l/h	4.000 l/h
Max. pressure/ Max. delivery head	2,0 bar / 20m	2,0 bar / 20m
Max. submersion depth	7m	7m
Cut-in height/Cut-out height	57cm / 25cm	–
Switch-on pressure	–	approx. 1,3 bar
Minimum water depth for operation	approx. 4,5cm	approx. 4,5cm
Power cable	10m H05 RNF	10m H05 RNF
Weight without cable	approx. 4,8 kg	approx. 5,0 kg
Max. media temperature	35 °C	35 °C
Mains voltage/ mains frequency	220 – 240 V AC / 50 Hz	220 – 240 V AC / 50 Hz

9. Service / Warranty

Warranty:

GARDENA guarantees this product for 2 years (from date of purchase). This guarantee covers all serious defects of the unit that can be proved to be material or manufacturing faults. Under warranty we will either replace the unit or repair it free of charge if the following conditions apply:

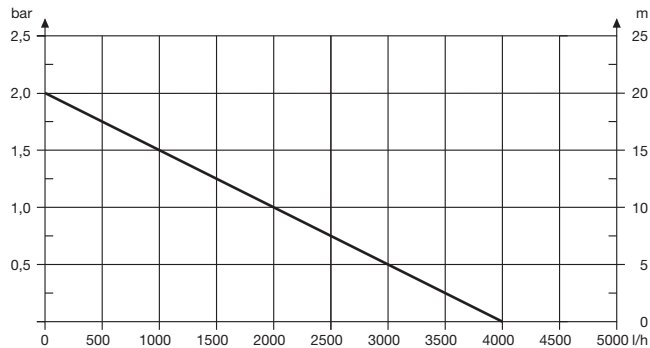
- The unit must have been handled properly and in keeping with the requirements of the operating instructions.
- Neither the purchaser or a non-authorized third party have attempted to repair the unit.

The wear parts impeller and filter are excluded from the warranty.

This manufacturer's guarantee does not affect the user's existing warranty claims against the dealer/seller.

If you have any problems with this product, please contact our Service or return the defective unit together with a short description of the problem – in case of guarantee, with a copy of the receipt – postage paid to one of the GARDENA Service Centres listed on the back of this leaflet.

Pumpen-Kennlinien
Performance characteristics
Courbes de performance
Prestatiegrafiek
Kapacitetskurva
Ydelses karakteristika
Pumpun ominaiskäyrä
Pumpekarakteristikk
Curva di rendimento
Curva característica de la bomba
Características de performance
Charakterystyka pompy
Szivattyú-jelleggörbe
Charakteristika čerpadla
Charakteristiky čerpadla
Χαρακτηριστικό διάγραμμα
Характеристика насоса
Karakteristika črpalka
Obilježja pumpe
Karakteristika pumpe
Крива характеристики насоса
Caracteristică pompă
Pompa karakter eğrisi
Помпена характеристика
Fuqia e pompës
Pumba karakteristik
Siurblio charakteristinė kreivė
Տւկղա ռակստւրլիկն



D Produkthaftung

Wir weisen ausdrücklich darauf hin, dass wir nach dem Produkthaftungsgesetz nicht für durch unsere Geräte hervorgerufene Schäden einzustehen haben, sofern diese durch unsachgemäße Reparatur verursacht oder bei einem Teileaustausch nicht unsere originale GARDENA Teile oder von uns freigegebene Teile verwendet wurden und die Reparatur nicht vom GARDENA Service oder dem autorisierten Fachmann durchgeführt wird. Entsprechendes gilt für Ergänzungssteile und Zubehör.

GB Product Liability

We expressly point out that, in accordance with the product liability law, we are not liable for any damage caused by our units if it is due to improper repair or if parts exchanged are not original GARDENA parts or parts approved by us, and, if the repairs were not carried out by a GARDENA Service Centre or an authorised specialist. The same applies to spare parts and accessories.

F Responsabilité

Nous vous signalons expressément que GARDENA n'est pas responsable des dommages causés par ses appareils, dans la mesure où ces dommages seraient causés suite à une réparation non conforme, dans la mesure où, lors d'un échange de pièces, les pièces d'origine GARDENA n'auraient pas été utilisées, ou si la réparation n'a pas été effectuée par le Service Après-Vente GARDENA ou l'un des Centres SAV agréés GARDENA. Ceci est également valable pour tout ajout de pièces et d'accessoires autres que ceux préconisés par GARDENA.

NL Productaansprakelijkheid

Wij wijzen er nadrukkelijk op, dat wij op grond van de wet aansprakelijkheid voor producten niet aansprakelijk zijn voor schade ontstaan door onze apparaten, indien deze door onvakkundige reparatie veroorzaakt zijn, of er bij het uitwisselen van onderdelen geen gebruik gemaakt werd van onze originele GARDENA onderdelen of door ons vrijgegeven onderdelen en de reparatie niet door de GARDENA technische dienst of de bevoegde vakman uitgevoerd werd. Ditzelfde geldt voor extra-onderdelen en accessoires.

S Produktansvar

Tillverkaren är inte ansvarig för skada som orsakats av produkten om skadan beror på att produkten har reparerats felaktigt eller om, vid reparation eller utbyte, andra än Original GARDENA reservdelar har använts. Samma sak gäller för kompletteringsdelar och tillbehör.

DK Produktansvar

Vi gør udtrykkeligt opmærksom på, at vi i henhold til produktansvarsloven ikke er ansvarlige for skader forårsaget af vores udstyr, såfremt det sker på grund af uautoriserede reparationer eller hvis dele er skiftet ud og der ikke er anvendt originale GARDENA dele eller dele godkendt af os, eller hvis reparationerne ikke er udført af GARDENA-service eller en autoriseret fagmand. Det samme gælder for ekstra udstyr og tilbehør.

FI Tuotevastuu

Korostamme nimenomaan, että tuotevastuulain nojalla emme ole vastuussa laitteistamme johtuneista vahingoista, mikäli nämä ovat aiheutuneet epäasianmukaisesta korjauksesta tai osia vaihdettaessa ei ole käytetty alkuperäisiä GARDENA-varaosia tai hyväksymiämme osia ja korjauksen on suorittanut muu kuin GARDENA-huoltokeskus tai valtuuttamamme ammattihenkilö. Tämä pätee myös lisäosiin ja lisävarusteisiin.

I Responsabilità del prodotto

Si rende espressamente noto che, conformemente alla legislazione sulla responsabilità del prodotto, non si risponde di danni causati da nostri articoli se originati da riparazioni eseguite non correttamente o da sostituzioni di parti effettuate con materiale non originale GARDENA o comunque da noi non approvato e, in ogni caso, qualora l'intervento non venga eseguito da un centro assistenza GARDENA o da personale specializzato autorizzato. Lo stesso vale per le parti complementari e gli accessori.

E Responsabilidad de productos

Advertimos que conforme a la ley de responsabilidad de productos no nos responsabilizamos de daños causados por nuestros aparatos, siempre y cuando dichos daños hayan sido originados por arreglos o reparaciones indebidas, por recambios con piezas que no sean piezas originales GARDENA o bien piezas no autorizadas por nosotros, así como en aquellos casos en que la reparación no haya sido efectuada por un Servicio Técnico GARDENA o por un técnico autorizado. Lo mismo es aplicable para las piezas complementarias y accesorios.

P Responsabilidade sobre o produto

Queremos salientar que segundo a lei da responsabilidade do fabricante, nós não nos responsabilizaremos por danos causados pelo nosso equipamento, quando estes ocorrerem em decorrência de reparações inadequadas ou da substituição de peças por peças não originais da GARDENA, ou peças não autorizadas. A responsabilidade tornar-se-à nula também depois de reparações realizadas por oficinas não autorizadas pela GARDENA. Esta restrição valerá também para peças adicionais e acessórios.

<p>PL Odpowiedzialność za produkt Zwracamy Państwa uwagę, że nie ponosimy odpowiedzialności za uszkodzenia naszych maszyn, bądź szkody spowodowane ich wadliwym funkcjonowaniem, powstałe na skutek nieprawidłowo przeprowadzonych napraw lub użycia nieoryginalnych części zamiennych. Naprawy winny być przeprowadzane tylko przez punkty serwisowe Husqvarna lub autoryzowane serwisy. Dotyczy to również części uzupełniających i oprzyrządowania.</p>
<p>H Termékszavatosság Nyomatékosan utalunk arra a tényre, hogy a termékszavatossági törvény szerint nem kell jótállást vállalnunk azokra a károkra, amelyek nem a mi készülékeink okoztak, ha ezeket szakszerűtlen javítás okozta vagy egy alkatrész kicserélésénél nem a mi eredeti GARDENA alkatrészceinket vagy általunk engedélyezett alkatrészeket használták fel és a javítást nem a GARDENA szerviz vagy egy erre felhatalmazott szakember végezte. Hasonlóképpen érvényes ez a kiegészítő alkatrészekre és tartozékokra is.</p>
<p>CZ Odpovědnost za výrobek Výslovně upozorňujeme na to, že podle zákona o odpovědnosti za výrobek neneseme odpovědnost za škody způsobené našimi přístroji, pokud byly způsobené neodbornou opravou nebo použitím jiných než našich originálních náhradních dílů GARDENA nebo námi schválených dílů a neprovedením opravy servisem GARDENA nebo autorizovaným odborníkem. Odpovídající platí i pro doplňkové díly a příslušenství.</p>
<p>SK Predmet záruky Upozorňujeme dôrazne na to, že podľa zákona o poskytovaní záruk nezodpovedáme za škody spôsobené našimi výrobkami, v prípade, že boli boli vyvolané neodbornými opravami, výmenou dielcov, ktoré nepatria k originálnym dielom GARDENA alebo neboli nami schválené a rovnako boli spôsobené servisnými zásahmi, ktoré neboli vykonané servisom GARDENA alebo autorizovaným odborníkom. Rovnako to platí pre doplnky a príslušenstvo.</p>
<p>GR Ευθύνη για το προϊόν Σας υπενθυμίζουμε ρητά, ότι σύμφωνα με το νόμο περί ευθύνης για τα προϊόντα δεν ευθυνόμαστε για ενδεχόμενες βλάβες που προκαλούνται από τις συσκευές μας, εφόσον οφείλονται σε μία ακατάλληλη επισκευή ή σε μια αντικατάσταση τμημάτων για την οποία δεν έχουν χρησιμοποιηθεί τα πρωτότυπα ανταλλακτικά της GARDENA ή τα από μας εγκατεσθέντα ανταλλακτικά και σε περίπτωση που δεν εκτελείται η επισκευή από το Τμήμα Εξυπηρέτησης Πελατών της GARDENA ή από έναν εξουσιοδοτημένο εξειδικευμένο τεχνίτη. Το ίδιο ισχύει για εξαρτήματα και συμπληρωματικά τμήματα.</p>
<p>SLO Jamstvo za izdelek Pismo no poudarjamo, da po zakonu jamstva za izdelek nismo odgovorni za škodo, ki bi nastala zaradi uporabe našega izdelka, prav tako tudi ne za škodo ki bi nastala zaradi nepravilnega popravila izdelka ali pri napačni zamenjavi delov, ki niso originalni deli GARDENA ali pri uporabi z naše strani potrjenih delov, ki pa niso bili vgrajeni v servisu GARDENA ali v naši pooblaščenji servisni službi. Enako velja tudi za nadomestne dele in opremo.</p>
<p>RO Responsabilitatea legala a produsului Menționăm în mod expres ca, în concordanță cu responsabilitatea legala a produsului, nu suntem răspunzători de nici un accident provocat de produsele noastre dacă se datorează reparării necorespunzătoare sau dacă piesele de schimb nu sunt originale GARDENA sau aprobate de GARDENA, sau dacă reparațiile nu au fost efectuate de un Centru de Service GARDENA sau un specialist autorizat. Aceleași prevederi se aplică și pieselor de schimb și accesoriilor.</p>
<p>BG Отговорност за качество Изрично подчертаваме, че съгласно закона за отговорност за качество, ние не носим отговорност за вредите причинени от нашите уреди, ако същите са причинени от неправилен ремонт или при подмяната на части не са използвани оригинални части на GARDENA или части одобрени от нас и ремонта не е извършен от сервиз на GARDENA или оторизиран специалист. Същото важи за допълнителните части и принадлежности.</p>
<p>EST Tootevastutus Juhime teie tähelepanu sellele, et tootevastutusseaduse kohaselt ei vastuta me meie seadmete poolt põhjustatud kahjude eest, kui need on tekkinud asjatundmatu paranduse tagajärjel või kui detaili vahetamiseks ei kasutatud GARDENA originaalvaruosi ega meie poolt kasutatada lubatud varuosi ja kui parandustööd ei ole teinud GARDENA klienditeenindusspetsialistid ega meie volitatud spetsialistid. Sama kehtib lisadetailide ja tarvikute kohta.</p>
<p>LT Atsakomybė už produkciją Nurodome, kad remdamesi Atsakomybės už produkciją įstatymu, neatsakome už nuostolius, sukeltus mūsų prietaisų, jei jie atsirado dėl netinkamo remonto, arba, jei keičiant dalis, buvo naudojamos neoriginalios GARDENA dalys arba dalys, kurių mes neleidome naudoti, o remontą atliko ne GARDENA servisas arba neįgaliotasis specialistas. Tas pats galioja papildomoms dalims ir priedams.</p>
<p>LV Produkta atbildība Mēs skaidri norādām uz to, ka saskaņā ar Produktu atbildības likumu, mēs neatbildam par mūsu iekārtu radītiem zaudējumiem, ciktāl tos ir izraisījis neatbilstošs remonts vai daļu nomaļņa ar neoriģinālām GARDENA daļām vai ne ar mūsu norādītajām detaļām un remontu nav veicis GARDENA serviss vai pilnvarots speciālists. Tas pats attiecas uz papildinošajām daļām un piederumiem.</p>

<p>D EG-Konformitätserklärung Der Unterzeichnete Husqvarna AB, 561 82 Huskvarna, Sweden bestätigt, dass die nachfolgend bezeichneten Geräte in der von uns in Verkehr gebrachten Ausführung die Anforderungen der harmonisierten EU-Richtlinien, EU-Sicherheitsstandards und produktspezifischen Standards erfüllen. Bei einer nicht mit uns abgestimmten Änderung der Geräte verliert diese Erklärung ihre Gültigkeit.</p>
<p>GB EU Declaration of Conformity The undersigned Husqvarna AB, 561 82 Huskvarna, Sweden hereby certifies that, when leaving our factory, the units indicated below are in accordance with the harmonised EU guidelines, EU standards of safety and product specific standards. This certificate becomes void if the units are modified without our approval.</p>
<p>F Certificat de conformité aux directives européennes Le constructeur, soussigné : Husqvarna AB, 561 82 Huskvarna, Sweden déclare qu'à la sortie de ses usines le matériel neuf désigné ci-dessous était conforme aux prescriptions des directives européennes énoncées ci-après et conforme aux règles de sécurité et autres règles qui lui sont applicables dans le cadre de l'Union européenne. Toute modification portée sur ce produit sans l'accord express de GARDENA supprime la validité de ce certificat.</p>
<p>NL EU-overeenstemmingsverklaring Ondergetekende Husqvarna AB, 561 82 Huskvarna, Sweden bevestigt, dat de volgende genoemde apparaten in de door ons in de handel gebrachte uitvoering voldoen aan de eis van, en in overeenstemming zijn met de EU-richtlijnen, de EU-veiligheidsstandaard en de voor het product specifieke standaard. Bij een niet met ons afgestemde verandering aan de apparaten verliest deze verklaring haar geldigheid.</p>
<p>S EU Tillverkarintyg Undertecknad firma Husqvarna AB, 561 82 Huskvarna, Sweden intygar härmed att nedan nämnda produkter överensstämmer med EU:s direktiv, EU:s säkerhetsstandard och produktspecifikation. Detta intyg upphör att gälla om produkten ändras utan vårt tillstånd.</p>
<p>DK EU Overensstemmelse certifikat Undertegnede Husqvarna AB, 561 82 Huskvarna, Sweden bekræfter hermed, at enheder listet herunder, ved afsendelse fra fabrikken, er i overensstemmelse med harmoniserede EU retningslinier, EU sikkerheds standarder og produkt specifikations standarder. Dette certifikat træder ud af kraft hvis enhederne er ændret uden vor godkendelse.</p>
<p>FI EY-vaatimustenmukaisuusvakuutus Allekirjoittanut Husqvarna AB, 561 82 Huskvarna, Sweden vakuuttaa, että allannimitut laitteet täyttävät tентаattamme lähtiesään yhtenmukaistettujen EY-direktiivien, EY-turvallisuusstandardien ja tuotekohtaisen standardien vaatimukset. Laitteisiin tehdyt muutokset, joista ei ole sovittu kanssamme, johtavat tämän vakuutuksen raukeamiseen.</p>
<p>I Dichiarazione di conformità alle norme UE La sottoscritta Husqvarna AB, 561 82 Huskvarna, Sweden certifica che il prodotto qui di seguito indicato, nei modelli da noi commercializzati, è conforme alle direttive armonizzate UE nonché agli standard di sicurezza e agli standard specifici di prodotto. Qualunque modifica apportata al prodotto senza nostra specifica autorizzazione invalida la presente dichiarazione.</p>
<p>E Declaración de conformidad de la UE El que subscribe Husqvarna AB, 561 82 Huskvarna, Sweden declara que la presente mercancía, objeto de la presente declaración, cumple con todas las normas de la UE, en lo que a normas técnicas, de homologación y de seguridad se refiere. En caso de realizar cualquier modificación en la presente mercancía sin nuestra previa autorización, esta declaración pierde su validez.</p>
<p>P Certificado de conformidade da UE Os abaixo mencionados Husqvarna AB, 561 82 Huskvarna, Sweden Por este meio certificamos que ao sair da fábrica os aparelhos abaixo mencionados estão de acordo com as diretrizes harmonizadas da UE, padrões de segurança e de produtos específicos. Este certificado ficará nulo se as unidades forem modificadas sem a nossa aprovação.</p>

<p>PL Deklaracja zgodności Unii Europejskiej Husqvarna AB, 561 82 Huskvarna, Sweden potwierdza, że poniżej określone urządzenia w wersji oferowanej przez nas do sprzedaży spełniają wymagania zharmonizowanych dyrektyw Unii Europejskiej, standardu bezpieczeństwa Unii Europejskiej i standardu specyficznego dla tego typu produktów. W przypadku zmiany urządzenia, która nie została z nami uzgodniona, niniejsza deklaracja traci moc obowiązywania.</p>
<p>H EU-Megfelelősségi nyilatkozat Alulírott, a Husqvarna AB, 561 82 Huskvarna, Sweden igazolja azt, hogy az alábbiakban megnevezett készülékek, az általunk forgalomba hozott kivitelben teljesítik a harmonizációs EU-irányelvek, az EU biztonsági szabványok és a termékre jellemző szabványok követelményeit. Ha a készülékeken a mi bejegyeztésünk nélkül változtatást végeznek, akkor ez a nyilatkozat érvényét veszti.</p>
<p>CZ Prohlášení o shodě EU Podepsaný Husqvarna AB, 561 82 Huskvarna, Sweden potvrzuje, že dále uvedené přístroje v naší dovozu uvedeném provedení splňují požadavky harmonizovaných směrnic EU, bezpečnostních norem EU a norem specifických pro výrobek. Při naší neschválené změně přístrojů ztrácí toto prohlášení platnost.</p>
<p>SK EU-Vyhľadanie o zhode Nižšie uvedená firma Husqvarna AB, 561 82 Huskvarna, Sweden vyhlasuje, že uvedené zariadenia, ktoré sme uviedli na trh v ich vyhotovení splňujú požiadavky harmonizovaných predpisov EU, bezpečnostných štandardov EU a výrobo-spezifických štandardov. Pri zmene zariadenia, ktorá nebola odsúhlasená výrobcom stráca toto vyhlásenie platnosť.</p>
<p>GR Δήλωση Συμμόρφωσης προς τις Οδηγίες της ΕΕ Η υπογράφουσα Husqvarna AB, 561 82 Huskvarna, Sweden δηλώνει, ότι τα εξής αναφερόμενα εκδιδόμενα από την εταιρία μας προϊόντα ανταποκρίνονται σε όλες τις εναρμονισμένες προδιαγραφές της ΕΕ, στα πρότυπα ασφαλείας της ΕΕ και στα ειδικά για το προϊόν πρότυπα. Σε μία μη συμφωνημένη με την εταιρία μας τροποποίηση των συσκευών αυτή η δήλωση χάνει την ισχύ της.</p>
<p>SLO EV-izjava o skladnosti Podpisani proizvajalec »Husqvarna AB, 561 82 Huskvarna, Sweden« s podpisom potrjuje, da sledeče opisana naprava, ki smo jo poslali na tržišče izpolnjuje zahteve harmoniziranih standardov ES-smernic, ES-varnostnih standardov in izdelku specifičnih standardov. V primeru spremembe na napravi brez našega pisnega dovoljenja ta izjava izgubi svoj pomen in veljavnost.</p>
<p>RO UE-Certificat de conformitate Prin prezenta Husqvarna AB, 561 82 Huskvarna, Sweden, certifica faptul ca, in momentul in care produsele mentionate mai jos ies din fabrica sunt in concordanta cu directivele UE, standardele de siguranta UE si standardele specifice ale produsului UE. Acest certificat devine nul in cazul modificarii aparatului fara aprobarea noastra.</p>
<p>BG ЕС-Декларация за съответствие Подписаната фирма Husqvarna AB, 561 82 Huskvarna, Sweden декларира, че описаните по-долу уреди, пуснати в продажба съгласно нашата спецификация, изпълняват изискванията на хармонизираните ЕС-директиви, ЕС-стандарти за безопасност и специфичните производствени стандарти. При промяна на уреда, която не е съгласувана с нас, тази декларация губи своята валидност.</p>
<p>EST ELI vastavusdeklaratsioon Allkirjutanu Husqvarna AB, 561 82 Huskvarna, Sweden kinnitab, et kirjeldatud seade vastab meie poolt riigisuse viidud kujul ELi harmoniseeritud direktiividele, ELi ohutusstandarditele ja tootea seotud standarditele. Meiega kooskõlastamata muudatuse tegemise korral seadmel kaotab see deklaratsioon kehtivuse.</p>
<p>LT ES Atitikties deklaracija Pasirašanti firma Husqvarna AB, 561 82 Huskvarna, Sweden patvirtina, kad žemiau nurodyti prietaisai ir jų modeliai, kuriuos paskelbome ir pavyrta, patenkina harmonizuotas ES direktyvas, ES saugumo standartus ir specifinius gaminto standartus. Atlikus bet koki prietaiso pakeitimą, kuris nėra suderintas su mumis, ši deklaracija praranda galiojimą.</p>
<p>LV ES-atbilstības deklaracija Parakstījies Husqvarna AB, 561 82 Huskvarna, Sweden, Vācija apstiprina, ka sekojoši apzīmētās iekārtas, kuras mēs izplatām, savā izpildījumā atbilst harmonizētajām ES direktīvām, ES drošības standartiem un produkta specifiskajiem standartiem. Ar mūsu nepatiprinātām izmaiņām iekārtā šī deklarācija zaudē savu derīgumu.</p>

<p>Bezeichnung der Geräte: Description of the units: Désignation du matériel :</p> <p>Omschrijving van de apparaten: Produktbeskrivning: Beskrivelse af produktet: Laitteiden nimitys: Descrizione dei prodotti: Descripción de la mercancía:</p> <p>Descrição dos aparelhos:</p> <p>Nazwa urządzenia: A készülékek megnevezése: Označení přístrojů: Označenie zariadenia: Ονομασία της συσκευής: Opis naprave: Descrierea articolelor:</p> <p>Обозначение на уредите: Seadmete nimetus: Prietaisų pavadinimas: Iekārtu apzīmējums:</p>	<p>Regenfasspumpe Rain Water Tank Pump Pompe pour collecteur d'eau de pluie Regentonpomp Pump för Regnvattentunna Regnvandspumpe Sadevesipumppu Pompa per cisterna Bomba para depósitos aguas pluviales Bomba para depósito de água de chuva Pompa do deszczówki Hordóúritó szivattyú Čerpadlo do sudu Čerpadlo do suda Αντλία συλλεκτών βρόχινου νερού Роторна čрpalka за дежевница Pompă pentru rezervor apă de ploaie Помпа за дъждовна вода Vihmaveemahutipump Lietaus vandens talpyklų siurblys Lietus ūdens tvertnes sūknis</p>	<p>Hinterlegte Dokumentation: GARDENA-Technische Dokumentation, E. Renn 89079 Ulm</p> <p>Deposited Documentation: GARDENA Technical Documentation, E. Renn 89079 Ulm</p> <p>Dokumentation déposée: Documentation technique GARDENA, E. Renn 89079 Ulm</p>
<p>Typen: Típusok: Types: Típus: Types : Typ: Type: Típus: Typ: Típus: Typer: Típusi: Tuypit: Típusov: Tipi: Típusid: Típos: Típusi: Tipos: Típusi: Typu: Típusi:</p>	<p>Art.-Nr.: Cikkszám: Art. No.: Číslo artiklu: Référéncce : Art.: Art.nr.: Αριθ. ειδους: Art.nr.: Art št.: Art. nr.: Nr art.: Tuoten:o Αρτ. номер: Art.: Toote nr : Art. No: Gaminio nr.: Art. no: Izstr.:</p> <p>Nr artykułu:</p>	<p>Anbringungsjaar der CE-Kennzeichnung: Year of CE marking: Année d'apposition du marquage CE : Installatiejaar van de CE-aanduiding: Märkningsår: CE-Mærkningsår: CE-merkin kiinnitysvuosi: Anno di applicazione della certificazione CE: Colocación del distintivo CE: Ano de marcação pela CE: Rok nadania oznakowania CE: CE-jelzés elhelyezésének éve: Rok umístění značky CE: Rok udelenia značky CE: Έτος σήματος CE: Leto namestitve CE-oznake: Anul de marcare CE: Година на поставяне на CE-маркировка: CE-märgistuse paigaldamise aasta: Metai, kuriais pažymėta CE-ženklai: CE-marķējuma uzlikšanas gads:</p> <p style="text-align: right;">2010</p>
<p>EU-Richtlinien: EU directives: Directives européennes : EU-richtlijnen: EU directiv: EU Retningslinier: EY-direktiivit: Directive UE: Normativa UE: Directrizes da UE: Dyrektywy Unii Europejskiej: EU-irányelvek: Směrnice EU:</p>	<p>EU-Predpisy: Οδηγίες της ΕΕ: ES-smernice: Directive UE: EC-директиви: ELi direktiivid: ES direktiivos: ES-direktivas:</p> <p style="text-align: right;">2006/42/EG 2006/95/EG 2004/108/EG 93/68/EG</p>	<p>Ulm, den 21.06.2010 Der Bevollmächtigte Ulm, 21.06.2010 Authorised representative Fait à Ulm, le 21.06.2010 Le mandataire Ulm, 21-06-2010 De gevollmachtigde Ulm, 2010.06.21. Auktoriserad representant Ulm, 21.06.2010 Autoriseret repræsentant Ulmissa, 21.06.2010 Valtuutettu edustaja Ulm, 21.06.2010 Persona delegata Ulm, 21.06.2010 La persona autorizada Ulm, 21.06.2010 O reprezentante Ulm, dnia 21.06.2010 Pelnomocnik Ulm, 21.06.2010 Meghatalmazott Ulm, 21.06.2010 Zplnomocněnec Ulm, dňa 21.06.2010 Splnomocnený Ulm, 21.06.2010 Ο εξουσιοδοτημένος Ulm, 21.06.2010 Pooblaščenec Ulm, 21.06.2010 Conducerea tehnică Улм, 21.06.2010 Упълномощен Ulm, 21.06.2010 Volitatud esindaja Ulm, 21.06.2010 Įgaliotasis atstovas Ulme, 21.06.2010 Pilnvarotā persona</p>
<p>Harmonisierte EN:</p> <p style="text-align: center;">DIN EN ISO 12100 EN 60335-1: 2002 A1, A2, A11, A12, A13 EN 60335-2-41: 2003 A1</p>	<p style="text-align: center;">DIN EN ISO 12100 EN 60335-1: 2002 A1, A2, A11, A12, A13 EN 60335-2-41: 2003 A1</p>	<p style="text-align: center;"> A. Disch Vice President Category Watering</p>

Deutschland / Germany

GARDENA GmbH
Central Service
Hans-Lorenser-Straße 40
D-89079 Ulm
Produktfragen:
(+49) 731 490-123
Reparaturen:
(+49) 731 490-290
service@gardena.com

Albania

COBALT Sh.p.k.
Rr. Sirti Kodra
1000 Tirana

Argentina

Husqvarna Argentina S.A.
Av.del Libertador 5954 –
Piso 11 – Torre B
(C1428ARP) Buenos Aires
Phone: (+54) 11 5194 5000
info.gardena@
ar.husqvarna.com

Armenia

Garden Land Ltd.
61 Tigran Mets
0005 Yerevan

Australia

Husqvarna Australia Pty. Ltd.
Locked Bag 5
Central Coast BC
NSW 2252
Phone: (+61) (0) 2 4352 7400
customer.service@
husqvarna.com.au

Austria / Österreich

Husqvarna Austria GmbH
Consumer Products
Industriezeile 36
4010 Linz
Tel.: (+43) 732 77 01 01 - 90
consumer.service@
husqvarna.at

Azerbaijan

Firm Progress
a. Aliyev Str. 26A
1052 Baku

Belgium

GARDENA Belgium NV/SA
Sterrebeekstraat 163
1930 Zaventem
Phone: (+32) 2 720 92 12
Mail: info@gardena.be

Bosnia / Herzegovina

SILK TRADE d.o.o.
Industrijska zona Bukva bb
74260 Tešanj

Brazil

Husqvarna do Brasil Ltda
Av. Francisco Matarazzo,
1400 – 19º andar
São Paulo – SP
CEP: 05001-903
Tel: 0800-112252
marketing.br.husqvarna@
husqvarna.com.br

Bulgaria

Хускварна България ЕООД
Бул. „Андрей Ляпчев“ № 72
1799 София
Тел.: (+359) 02/9753076
www.husqvarna.bg

Canada / USA

GARDENA Canada Ltd.
100 Summerlea Road
Brampton, Ontario L6T 4X3
Phone: (+1) 905 792 93 30
info@gardenacanada.com

Chile

Maquinarias Agroforestales
Ltda. (Maga Ltda.)
Santiago, Chile
Avda. Chesterton
8355 comuna Las Condes
Phone: (+56) 2 202 4417
Dalton@maga.cl
Zipcode: 7560330

Temuco, Chile
Avda. Valparaíso # 01466
Phone: (+56) 45 222 126
Zipcode: 4780441

China

Husqvarna (China) Machinery
Manufacturing Co., Ltd.
No. 1355, Jia Xin Rd.,
Ma Lu Zhen, Jia Ding Dist.,
Shanghai
201801
Phone: (+86) 21 59159629
Domestic Sales
www.gardena.com.cn

Colombia

Husqvarna Colombia S.A.
Calle 18 No. 68 D-31, zona
Industrial de Montevideo
Bogotá, Cundinamarca
Tel. 571 2922700 ext. 105
jairo.salazar@
husqvarna.com.co

Costa Rica

Compania Exim
Euroberoamericana S.A.
Los Colegios, Moravia,
200 metros al Sur del Colegio
Saint Francis – San José
Phone: (+506) 297 68 83
exim_euro@racsa.co.cr

Croatia

SILK ADRIA d.o.o.
Josipa Lončara 3
10090 Zagreb
Phone: (+385) 1 3794 580
silk.adria@zg.t-com.hr

Cyprus

Med Marketing
17 Digeni Akriti Ave
P.O. Box 27017
1641 Nicosia

Czech Republic

Husqvarna Česko s.r.o.
Türkova 2319/5b
149 00 Praha 4 – Chodov
Bezplatná infolinka:
800 100 425
servis@cz.husqvarna.com

Denmark

GARDENA / Husqvarna
Consumer Outdoor Products
Salgsafdelning Danmark
Box 9003
S-200 39 Malmö
info@gardena.dk

Dominican Republic

BOSQUESA, S.R.L
Carretera Santiago Licey
Km. 5 ½
Esquina Copal II.
Santiago, Dominican Republic
Phone: (+809) 736-0333
joserbosquesa@claro.net.do

Ecuador

Husqvarna Ecuador S.A.
Arupos E1-181 y 10 de Agosto
Quito, Pichincha
Tel. (+593) 22800739
francisco.jacome@
husqvarna.com.ec

Estonia

Husqvarna Eesti OÜ
Consumer Outdoor Products
Kesk tee 10, Aaviku küla
Rae vald
Harju maakond
75305 Estonia
kontakt.etj@husqvarna.ee

Finland

Oy Husqvarna Ab
Consumer Outdoor Products
Lautatarhankatu 8 B / PL 3
00581 HELSINKI
info@gardena.fi

France

GARDENA France
Immeuble Exposial
9-11 allée des Pierres Mayettes
ZAC des Barbanniers, B.P. 99
-F. 92232 GENNEVILLIERS
cedex
Tél. (+33) 01 40 85 30 40
service.consommateurs@
gardena.fr

Georgia

ALD Group
Beliasvili 8
1159 Tleilisi

Great Britain

Husqvarna UK Ltd
Preston Road
Aycliffe Industrial Park
Newton Aycliffe
County Durham
DL5 6UP
info.gardena@
husqvarna.co.uk

Greece

HUSQVARNA ΕΜΑΣ Α.Ε.Β.Ε.
Υπ. Πλ. Ηρόδοτου 33Α
Βλ. Πλ. Κορυμπίου
194 00 Κορυπί Αττικής
V.A.T. EL094094640
Phone: (+30) 210 6620 225
info@husqvarna-consumer.gr

Hungary

Husqvarna Magyarország Kft.
Ezred u. 1-3
1044 Budapest
Telefon: (+36) 1 251-4161
vevoszolgalat.husqvarna@
husqvarna.hu

Iceland

Ö. Johnson & Kaaber
Tunguhalsi 1
110 Reykjavik
ooj@ojk.is

Ireland

Husqvarna UK Ltd
Preston Road
Aycliffe Industrial Park
Newton Aycliffe
County Durham
DL5 6UP
info.gardena@
husqvarna.co.uk

Italy

Husqvarna Italia S.p.A.
Via Como 72
23868 VALMADRERA (LC)
Phone: (+39) 0341.203.111
info@gardenaitalia.it

Japan

KAKUICHI Co. Ltd.
Sumitomo Realty &
Development Kojimachi
BLDG., 8F
5-1 Nibanncyo
Chiyoda-ku
Tokyo 102-0084
Phone: (+81) 33 264 4721
m_ishihara@kaku-ichi.co.jp

Kazakhstan

LAMED Ltd.
155/1, Tazhibayevoi Str.
050060 Almaty
IP Schmidt
Abayavenue 3B
110 005 Kostanay

Kyrgyzstan

Alye Maki
av. Molodaya Guardir J 3
720014
Bishkek

Latvia

Husqvarna Latvija
Consumer Outdoor Products
Bākūžu iela 6
LV-1024 Rīga
info@husqvarna.lv

Lithuania

UAB Husqvarna Lietuva
Consumer Outdoor Products
Aiteities pl. 77C
LT-52104 Kaunas
centras@husqvarna.lt

Luxembourg

Magasins Jules Neuberg
39, rue Jacques Stas
Luxembourg-Gasperich 2549
Case Postale No. 12
Luxembourg 2010
Phone: (+352) 40 14 01
api@neuberg.lu

Mexico

AFOSA
Av. Lopez Mateos Sur # 5019
Col. La Palma 45070
Zapopan, Jalisco
Mexico
Phone: (+52) 33 3818-3434
icornejo@afosa.com.mx

Moldova

Convel S.R.L.
290A Muncești Str.
2002 Chisinau

Netherlands

GARDENA Nederland B.V.
Postbus 50176
1305 AD ALMERE
Phone: (+31) 36 521 00 00
info@gardena.nl

Neth. Antilles

Jonka Enterprises N.V.
Sta. Rosa Weg 196
P.O. Box 8200
Curaçao
Phone: (+599) 9 767 66 55
pgm@jonka.com

New Zealand

Husqvarna New Zealand Ltd.
PO Box 76-437
Manukau City 2241
Phone: (+64) (0) 9 9202410
support.nz@husqvarna.co.nz

Norway

GARDENA
Husqvarna Consumer
Outdoor Products
Salgskontor Norge
Kleverveien 6
1540 Vestby
info@gardena.no

Peru

Husqvarna Perú S.A.
Jr. Ramón Cárcamo 710
Lima 1
Tel: (+51) 1 3320 400 ext. 416
juan.remuzgo@
husqvarna.com

Poland

Husqvarna
Poland Spółka z o.o.
ul. Wysockiego 15 b
03-371 Warszawa
Phone: (+48) 22 330 96 00
gardena@husqvarna.com.pl

Portugal

Husqvarna Portugal, SA
Lagoa - Albarraque
2635 - 595 Rio de Mouro
Tel.: (+351) 21 922 85 30
Fax : (+351) 21 922 85 36
info@gardena.pt

Romania

Madex International Srl
Soseaua Odaii 117- 123,
RO 013603
București, S 1
Phone: (+40) 21 352.76.03
madex@ines.ro

Russia

ООО „Хускварна“
141400, Московская обл.,
г. Химки,
улица Ленинградская,
владение 39, стр.6
Бизнес Центр
„Химки Бизнес Парк“,
помещение ОВ02_04

Serbia

Domel d.o.o.
Autoput za Novi Sad bb
11273 Belgrade
Phone: (+381) 11 848 88 12
miroslav.vejina@domel.rs

Singapore

Hy-Ray PRIVATE LIMITED
40 Jalan Pemimpin
02-08 Tat Ann Building
Singapore 577185
Phone: (+65) 6253 2277
shiyang@hyray.com.sg

Slovak Republic

Husqvarna Česko s.r.o.
Türkova 2319/5b
149 00 Praha 4 – Chodov
Bezplatná infolinka:
800 154 044
servis@sk.husqvarna.com

Slovenia

Husqvarna Austria GmbH
Consumer Products
Industriezeile 36
4010 Linz
Tel.: (+43) 732 77 01 01 - 90
consumer.service@
husqvarna.at

South Africa

Husqvarna
South Africa (Pty) Ltd
Postnet Suite 250
Private Bag X6,
Cascades, 3202
South Africa
Phone: (+27) 33 846 9700
info@gardena.co.za

Spain

Husqvarna España S.A.
C/ Basauri, nº 6
La Florida
28023 Madrid
Phone: (+34) 91 708 05 00
atencioncliente@gardena.es

Suriname

Agrofix n.v.
Verlengde Hogestraat #22
Phone: (+597) 472426
agrofix@sr.net
Pobox : 2006
Paramaribo
Suriname – South America

Sweden

Husqvarna AB
S-561 82 Huskvarna
info@gardena.se

Switzerland / Schweiz

Husqvarna Schweiz AG
Consumer Products
Industriestrasse 10
5506 Mägenwil
Phone: (+41) (0) 848 800 464
info@gardena.ch

Turkey

GARDENA Dost Diş Ticaret
Mümesillik A.S.
Sanayi Cad. Adil Sokak
No: 1/B Kartal
34873 Istanbul
Phone: (+90) 216 38 93 939
info@gardena-dost.com.tr

Ukraine / Україна

ТОВ «Хусварна Україна»
вул. Васильківська, 34,
офіс 204-т
03022, Київ
Тел. (+38) 044 498 39 02
info@gardena.ua

Uruguay

FELI SA
Entre Ríos 1083 CP 11800
Montevideo – Uruguay
Tel: (+598) 22 03 18 44
info@felisa.com.uy

Venezuela

Corporación Casa y Jardín C.A.
Av. Caroní, Edif. Trezmen, PB.
Colinas de Bello Monte.
1050 Caracas.
Tlf: (+58) 212 992 33 22
info@casayjardin.net.ve

1740-20.960.05/0812
© GARDENA
Manufacturing GmbH
D-89070 Ulm
http://www.gardena.com