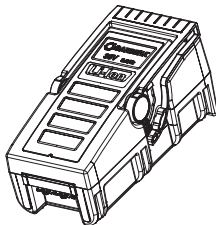


Li-Ion 18 V/2,6 Ah Art. 8835

Li-Ion 18 V/1,6 Ah Art. 8839

Li-Ion 25 V/3,2 Ah Art. 8838



Li-Ion 36 V/3,0 Ah Art. 8836

Li-Ion 36 V/4,5 Ah Art. 8837

**D Betriebsanleitung**  
Wechselaccu

**GB Operating Instructions**  
Replacement Battery

**F Mode d'emploi**  
Batterie remplaçable

**NL Gebruiksaanwijzing**  
Wisselaccu

**S Bruksanvisning**  
Utbytes Batteri

**DK Brugsanvisning**  
Batteri

**FI Käyttöohje**  
Vara-akku

**N Bruksanvisning**  
Utbytbart Batteri

**I Istruzioni per l'uso**  
Batteria di ricambio

**E Instrucciones de empleo**  
Batería de sustitución

**P Manual de instruções**  
Acumulador de substituição

**PL Instrukcja obsługi**  
Akumulator

**H Használati utasítás**  
Csereakkumulátor

**CZ Návod k obsluze**  
Náhradní akumulátor

**SK Návod na obsluhu**  
Náhradný akumulátor

**GR Οδηγίες χρήσης**  
Ανταλλακτική μπαταρία

**RUS Инструкция по эксплуатации**  
Батарея сменная

**SLO Navodilo za uporabo**  
Nadomestni akumulator

**HR Uputa za upotrebu**  
Zamjenska accu baterija

**SRB/BIH Uputstvo za korisnike**  
Rezervna punjiva baterija

**UA Інструкція з експлуатації**  
Змінний акумулятор

**RO Instrucțiuni de utilizare**  
Baterie rezervă

**TR Kullanma Kılavuzu**  
Değiştirilebilir Batarya

**BG Инструкция за експлоатация**  
Сменяеми батерии

**AL Manual përdorimi**  
Akumulator këmbyses

**EST Kasutusjuhend**  
Vahetusaku

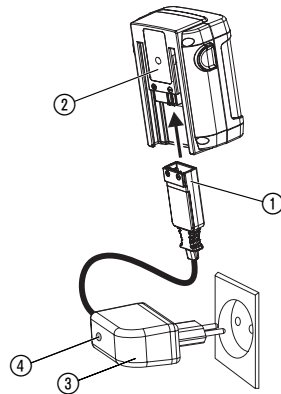
**LT Naudojimosi instrukcija**  
Keičiamas akumuliatorius

**LV Lietošanas instrukcija**  
Maināmais akumulators

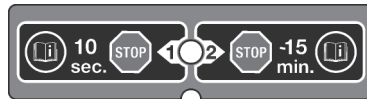
Li-Ion 18 V/2,6 Ah (Art. 8835)

Li-Ion 18 V/1,6 Ah (Art. 8839)

Li-Ion 25 V/3,2 Ah (Art. 8838)

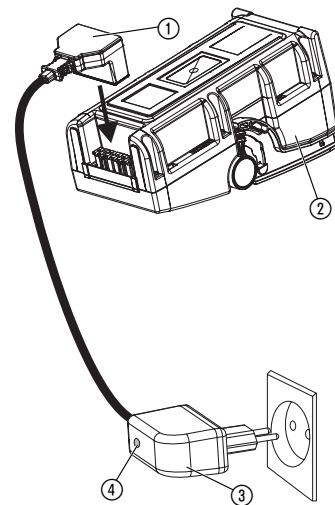


Li-Ion 18 V/2,6 Ah (Art. 8835)



Li-Ion 36 V/3,0 Ah (Art. 8836)

Li-Ion 36 V/4,5 Ah (Art. 8837)



**GARDENA Replacement Battery Li-Ion 18 V/25 V/36 V Battery**

Translation of the original German operating instructions.

Please read these operating instructions carefully and observe the notes given. Acquaint yourself with the use of the battery, the charging technology (see operating instructions GARDENA Rechargeable Battery unit) and observe the safety instructions.

For safety reasons, children under the age of 16 as well as people, who are not acquainted with the instructions should not use the battery.

→ Please keep these operating instructions in a safe place.

**1. Area of application of your GARDENA Replacement Battery**

*Proper use as directed:*

The rechargeable battery is used as a power supply for the relevant GARDENA cordless appliances and is intended for use in private house and hobby gardens. The replacement battery must not be used in public facilities, parks, sports grounds, next to roads or in agriculture or forestry.

Observance of the operating instructions provided by GARDENA is a prerequisite for correct use of the rechargeable battery.

**2. Safety Instructions**

→ Please observe the safety instructions on the battery.

**FIRE RISK! Short-circuit!**

→ Do not bridge the contacts of the battery with metal components.

*Check your replacement battery before each use:*

Visually check the battery before each use.

*Use/responsibility:*

Attention! For risks of injury the battery must not be used as power source for other devices.

Only use the battery for the GARDENA appliances intended.

*Electrical safety:*

**FIRE RISK!**

→ Never charge the batteries near acids or easily inflammable materials.

Only original GARDENA Charger Units may be used for charging. The use of other battery chargers may damage the batteries irreparably and even cause a fire.

**RISK OF EXPLOSION!**

**Protect batteries from heat and fire. Do not leave on radiators or expose to strong sunshine for long periods.**

Only use and charge the battery in ambient temperatures of between 5 °C and 45 °C. Allow battery to cool down after long periods of use (cooling time up to 1 hr.). An excessively hot battery cannot be charged.

The charging cable should be checked regularly for signs of damage or ageing (brittleness) and may only be used if it is in perfect condition.

*Storage:*

Do not store the battery above 45 °C or in direct sunlight. Ideally, the battery should be stored below 25 °C so that self-discharge is low. Never store while still attached to a tool, this prevents misuse and accidents.

Do not store the battery in places where static electricity is present.

**3. Initial Operation**

*Charging the battery (see page 2):*

**ATTENTION!**

**Overvoltage damages batteries and the battery charger.**

→ Ensure the correct mains voltage.

Before using for the first time, the battery must be fully charged.

The lithium-ion battery can be charged in any state of charge, and the charging process can be interrupted at any time without harming the battery (no memory effect).

1. Plug the plug of the charger cable ① into the battery ②.
2. Plug standard charger ③ into a mains power socket.

**Charging control lamp ④ is lit red: Battery is being charged.**

**Charging control lamp ④ is lit green: Battery is fully charged.**  
(For charging time, see 7. Technical Data).

3. First disconnect the plug of the charging cable and then disconnect the charger unit from the mains socket.

**4. Storage**

*Storage/overwintering:*

The battery must be stored out of the reach of children.

1. Charging the battery.
2. Store the battery in a dry place.



**Li-ion** *Disposal of batteries:*

The GARDENA battery contains lithium-ion cells that should not be discarded with normal household waste at the end of their life.

*Important:*

Please return the lithium-ion batteries to your GARDENA dealer or dispose of them properly at a public recycling centre.

1. Discharge lithium-ion cells completely.
2. Dispose of lithium-ion cells properly.

**5. Maintenance**

Make sure the surface and the contacts of the battery always are clean and dry before connecting the charging unit.

When dirty clean them with a soft, dry rag; never use running water.

**6. Troubleshooting**

Error messages of the error-LED (see page 2) Art. 8835.

Problem	Possible Cause	Remedy
Motor stops and the error-LED flashes.	1. Battery Overload.	Wait 10 sec. When the warning LED doesn't flash, start again.
	2. High temperature. The allowed operation temperature was exceeded.	Wait approx. 15 min. When the warning LED doesn't flash, start again.
Motor stops and the warning-LED doesn't flash.	Battery is discharged.	Charge the Battery.

In the event of faults, please contact GARDENA Service.

Repairs should only be carried out by GARDENA service centres or dealers authorised by GARDENA.

**7. Technical Data**

	Art. 8839	Art. 8835	Art. 8838	Art. 8836	Art. 8837
Battery voltage	Li-Ion 18 V	Li-Ion 18 V	Li-Ion 25 V	Li-Ion 36 V	Li-Ion 36 V
Battery capacity	1,6 Ah	2,6 Ah	3,2 Ah	3,0 Ah	4,5 Ah
Approx. charging time * 90% full:	2 hrs	3,5 hrs	5 hrs	4,5 hrs	7,5 hrs
Approx. charging time * 100% full:	5 hrs	7 hrs	11 hrs	9 hrs	15 hrs
* Charging time with standard charger					

With the Quick Battery Charger art. 8831 available as an accessory from GARDENA, the batteries can be charged up to 3 times faster.

**8. Service/Warranty**

GARDENA guarantees this product for 2 years (from date of purchase). This guarantee covers all serious defects of the unit that can be proved to be material or manufacturing faults. Under warranty we will either replace the unit or repair it free of charge if the following conditions apply:

- The unit must have been handled properly and in keeping with the requirements of the operating instructions.
- Neither the purchaser or a non-authorized third party have attempted to repair the unit.

This manufacturer's guarantee does not affect the user's existing warranty claims against the dealer/seller.

If a fault occurs with your battery, please return the faulty unit together with a copy of the receipt and a description of the fault, with postage paid to one of the GARDENA Service Centres listed on the back of these operating instructions.

**D Produkthaftung:** Wir weisen ausdrücklich darauf hin, dass wir nach dem Produkthaftungsgesetz nicht für durch unsere Geräte hervorgerufene Schäden einzustehen haben, sofern diese durch unsachgemäße Reparatur verursacht oder bei einem Teileaustausch nicht unsere Original GARDENA Teile oder von uns freigegebene Teile verwendet werden und die Reparatur nicht vom GARDENA Service oder dem autorisierten Fachmann durchgeführt wird. Entsprechendes gilt für Ergänzungs- und Zubehör.

**GB Product Liability:** We expressly point out that, in accordance with the product liability law, we are not liable for any damage caused by our units if it is due to improper repair or if parts exchanged are not original GARDENA parts or parts approved by us, and, if the repairs were not carried out by a GARDENA Service Centre or an authorised specialist. The same applies to spare parts and accessories.

**F Responsabilité:** Nous vous signalons expressément que GARDENA n'est pas responsable des dommages causés par ses appareils, dans la mesure où ces dommages seraient causés suite à une réparation non conforme, dans la mesure où, lors d'un échange de pièces, les pièces d'origine GARDENA n'auraient pas été utilisées, ou si la réparation n'a pas été effectuée par le Service Après-Vente GARDENA ou l'un des Centres SAV agréés GARDENA. Ceci est également valable pour tout ajout de pièces et d'accessoires autres que ceux préconisés par GARDENA.

**NL Productaansprakelijkheid:** Wij wijzen er nadrukkelijk op, dat wij op grond van de wet aansprakelijkheid voor producten niet aansprakelijk zijn voor schade ontstaan door onze apparaten, indien deze door onvakkundige reparatie veroorzaakt zijn, of er bij het uitwisselen van onderdelen geen gebruik gemaakt werd van onze originele GARDENA onderdelen of door ons vrijgegeven onderdelen en de reparatie niet door de GARDENA technische dienst of de bevoegde vakman uitgevoerd werd. Ditzelfde geldt voor extra-onderdelen en accessoires.

**S Produktansvar:** Tillverkaren är inte ansvarig för skada som orsakats av produkten om skadan beror på att produkten har reparerats felaktigt eller om, vid reparation eller utbyte, andra än Original GARDENA reservdelar har använts. Samma sak gäller för kompletteringsdelar och tillbehör.

**DK Produktansvar:** Vi gør udtrykkeligt opmærksom på at i henhold til produktansvarsloven er vi ikke ansvarlige for skader forårsaget af vores udstyr, hvis det skyldes uautoriserede reparationer eller hvis dele er skiftet ud og der ikke er anvendt originale GARDENA dele eller dele godkendt af os, eller hvis reparationerne ikke er udført af GARDENA-service eller en autoriseret fagmand. Det samme gælder for ekstra udstyr og tilbehør.

**FI Tuotevastuu:** Korostamme nimenomaan, että tuotevastuulain nojalla emme ole vastuussa laitteistamme johtuneista vahingoista, mikäli nämä ovat aiheutuneet epäasianmukaisesta korjauksesta tai osia vaihdettaessa ei ole käytetty alkuperäisiä GARDENA-varaosia tai hyväksymiämme osia ja korjauksen on suorittanut muu kuin GARDENA-huoltokeskus tai valtuuttamamme ammattihenkilö. Tämä pätee myös lisäosiin ja lisävarusteisiin.

**I Responsabilità del prodotto:** Si rende espressamente noto che, conformemente alla legislazione sulla responsabilità del prodotto, non si risponde di danni causati da nostri articoli se originati da riparazioni eseguite non correttamente o da sostituzioni di parti effettuate con materiale non originale GARDENA o comunque da noi non approvato e, in ogni caso, qualora l'intervento non venga eseguito da un centro assistenza GARDENA o da personale specializzato autorizzato. Lo stesso vale per le parti complementari e gli accessori.

**E Responsabilidad de productos:** Advertimos que conforme a la ley de responsabilidad de productos no nos responsabilizamos de daños causados por nuestros aparatos, siempre y cuando dichos daños hayan sido originados por arreglos o reparaciones indebidas, por recambios con piezas que no sean piezas originales GARDENA o bien piezas autorizadas por nosotros, así como en aquellos casos en que la reparación no haya sido efectuada por un Servicio Técnico GARDENA o por un técnico autorizado. Lo mismo es aplicable para las piezas complementarias y accesorios.

**P Responsabilidade sobre o produto:** Queremos salientar que segundo a lei da responsabilidade do fabricante, nós não nos responsabilizaremos por danos causados pelo nosso equipamento, quando estes ocorrerem em decorrência de reparações inadequadas ou da substituição de peças por peças não originais da GARDENA, ou peças não autorizadas. A responsabilidade tornar-se-à nula também depois de reparações realizadas por oficinas não autorizadas pela GARDENA. Esta restrição valerá também para peças adicionais e acessórios.

**PL Odpowiedzialność za produkt:** Zwracamy Państwa uwagę, że nie ponosimy odpowiedzialności za uszkodzenia naszych maszyn, bądź szkody spowodowane ich wadliwym funkcjonowaniem, powstałe na skutek nieprawidłowo przeprowadzonych napraw lub użycia nieoryginalnych części zamiennych. Naprawy winny być przeprowadzane tylko przez punkty serwisowe Husqvarna lub autoryzowane serwisy. Dotyczy to również części uzupełniających i oprzyrządowania.

**H Termékfelelősség:** Nyomatékosan utalunk arra, hogy a termékfelelősségi törvény értelmében nem felelünk a készülékeink által okozott károkért, amennyiben ezek szakszerűtlen javítás következményei, vagy ha a cseréket nem eredeti GARDENA – vagy általunk kibocsátott alkatrészekkel végzik el és a javítást nem a GARDENA megbízott szervizei végezték. Ez értelemszerűen érvényes a kiegészítő részekre és a tartozékokra is.

**CZ Ručení za výrobek:** Upozorňujeme výslovně na skutečnost, že podle zákona o ručení za výrobky nejsme povinni ručit za škody vyvolané našimi výrobky, pokud tyto škody byly způsobeny neodbornou opravou nebo v případě výměny dílů nebyly použity naše originální díly GARDENA, popř. díly, které jsme schválili, a oprava nebyla provedena v servisu GARDENA nebo autorizovaným specialistou.

Analogické ustanovení platí rovněž pro doplňky a příslušenství.

**SK Zodpovednosť za vady výrobku:** Výslovne zdôrazňujeme, že podľa zákona o ručení za výrobok nie sme zodpovední za škody spôsobené našim zariadením, ak sú spôsobené nesprávnou opravou, alebo ak sa nepoužili originálne diely GARDENA alebo nami schválené diely a ak nebola oprava vykonaná značkovou opravovňou GARDENA alebo autorizovaným odborníkom. To isté platí aj pre doplnkové diely a príslušenstvo.

**GR Προϊόνευθύνη:** Κάνουμε σαφές ότι, σύμφωνα με τους νόμους παραγωγής των προϊόντων, δεν είμαστε υπεύθυνοι για καμία ζημία που προκλήθηκε από το προϊόν μας εάν δε χρησιμοποιήθηκαν για όλες τις συνδέσεις αποκλειστικά και μόνο τα γνήσια εξαρτήματα ή ανταλλακτικά της GARDENA ή αν το σέρβις δεν πραγματοποιήθηκε στο σέρβις της GARDENA. Τα ίδια ισχύουν για τα συμπληρωματικά μέρη και τα αξεσουάρ.

**SLC Jamstvo za proizvod:** Izrecno opozarjamo, da po Zakonu o jamstvu za proizvode, ne odgovarjamo za škodo, ki so jih povzročile naše naprave, v kolikor je bila povzročena zaradi nestrokovnega popravila, ali pa pri zamenjavi delov niso bili uporabljeni originalni nadomestni deli GARDENA oziroma deli, ki jih dovolimo uporabiti in če popravilo ni bilo opravljeno v servisu GARDENA oz. pri pooblaščenem strokovnjaku. Ustrezno velja tudi za dele, ki nadgrajujejo napravo in pribor.

**RO Responsabilitatea legala a produsului:** Menționăm în mod expres că, în concordanță cu responsabilitatea legala a produsului, nu suntem răspunzători de nici un accident provocat de produsele noastre dacă se datorează reparării necorespunzătoare sau dacă piesele de schimb nu sunt originale GARDENA sau aprobate de GARDENA, sau dacă reparațiile nu au fost efectuate de un Centru de Service GARDENA sau un specialist autorizat. Aceleași prevederi se aplica și pieselor de schimb și accesorior.

**BE Отговорност за качество:** Изрично подчертаваме, че съгласно закона за отговорност за качество, ние не носим отговорност за вредите причинени от нашите уреди, ако същите са причинени от неправилен ремонт или при подмяната на части не са използвани оригинални части на GARDENA или части одобрени от нас и ремонта не е извършен от сервиз на GARDENA или оторизиран специалист. Същото важи за допълнителните части и принадлежности.

**EE Tootevastutus:** Juhime teie tähelepanu sellele, et tootevastutusseaduse kohaselt ei vastuta me meie seadmete poolt põhjustatud kahjude eest, kui need on tekkinud asjatundmatu paranduse tagajärjel või kui detaile vahetamisel ei kasutatud GARDENA originaalvaruosi ega meie poolt kasutada lubatud varuosi ja kui parandustööd ei ole teinud GARDENA klienditeenindus-spetsialistid ega meie volitatud spetsialistid. Sama kehtib lisadetailide ja tarvikute kohta.

**LT Atsakomybė už produkciją:** Nurodome, kad remdamiesi Atsakomybės už produkciją įstatymu, neatsakome už nuostolius, sukeltus mūsų prietaisų, jei jie atsirado dėl netinkamo remonto, arba, jei keičiant dalis, buvo naudojamos neoriginalios GARDENA dalys arba dalys, kurių mes neleidome naudoti, o remontą atliko ne GARDENA servisas arba neįgaliotasis specialistas. Tas pats galioja papildomoms dalims ir priedams.

**LV Produkta atbildība:** Mēs skaidri norādām uz to, ka saskaņā ar Produktu atbildības likumu, mēs neatbildam par mūsu iekārtu radītiem zaudējumiem, ciktāl tos ir izraisījis neatbilstošs remonts vai daļu nomainā ar neoriginalām GARDENA daļām vai ne ar mūsu norādītajām detaļām un remontu nav veicis GARDENA serviss vai pilnvarots speciālists. Tas pats attiecas uz papildinošajām daļām un piederumiem.

**Deutschland / Germany**

GARDENA GmbH  
Central Service  
Hans-Lorenser-Straße 40  
D-89079 Ulm  
Produktfragen:  
(+49) 731 490-123  
Reparaturen:  
(+49) 731 490-290  
service@gardena.com

**Albania**

COBALT Sh.p.k.  
Rr. Siri Kodra  
1000 Tirana

**Argentina**

Husqvarna Argentina S.A.  
Av.del Libertador 5954 -  
Piso 11 - Torre B  
(C1428ARP) Buenos Aires  
Phone: (+54) 11 5194 5000  
info.gardena@  
archusqvarna.com

**Armenia**

Garden Land Ltd.  
61 Tigran Mets  
0005 Yerevan

**Australia**

Husqvarna Australia Pty. Ltd.  
Locked Bag 5  
Central Coast BC  
NSW 2252  
Phone: (+ 61) (0) 2 4352 7400  
customer.service@  
husqvarna.com.au

**Austria / Österreich**

Husqvarna Austria GmbH  
Consumer Products  
Industriezeile 36  
4010 Linz  
Tel. : (+43) 732 77 01 01- 90  
consumer.service@husqvarna.at

**Azerbaijan**

Firm Progress  
a. Aliyev Str. 26A  
1052 Baku

**Belgium**

GARDENA Belgium NV/SA  
Sterrebeekstraat 163  
1930 Zaventem  
Phone: (+32) 2 7 20 92 12  
Mail: info@gardena.be

**Bosnia / Herzegovina**

SILK TRADE d.o.o.  
Industrijska zona Bukva bb  
74260 Tešanj

**Brazil**

Husqvarna do Brasil Ltda  
Av. Francisco Matarazzo,  
1400 – 19º andar  
São Paulo - SP  
CEP: 05001-903  
Tel: 0800-112252  
marketing.br@husqvarna@  
husqvarna.com.br

**Bulgaria**

Хускварна България ЕООД  
Бул. „Андрей Ляпчев“ № 72  
1799 София  
Tel.: (+359) 02/9753076  
www.husqvarna.bg

**Canada / USA**

GARDENA Canada Ltd.  
100 Summerlea Road  
Brampton, Ontario L6T 4X3  
Phone: (+1) 905 792 93 30  
info@gardenacanada.com

**Chile**

Maquinarias Agroforestales  
Ltda. (Maga Ltda.)  
Santiago, Chile  
Avda. Chesterton  
# 8355 comuna Las Condes  
Phone: (+56) 2 202 4417  
Dalton@maga.cl  
Zipcode: 7560330

**Temuco, Chile**

Avda. Valparaiso # 01466  
Phone: (+56) 45 222 126  
Zipcode: 4780441

**China**

Husqvarna (China) Machinery  
Manufacturing Co., Ltd.  
No. 1355, Jia Xin Rd.,  
Ma Lu Zhen, Jia Ding Dist.,  
Shanghai  
201801  
Phone: (+86) 21 59159629  
Domestic Sales  
www.gardena.com.cn

**Colombia**

Husqvarna Colombia S.A.  
Calle 18 No. 68 D-31, zona  
Industrial de Montevideo  
Bogotá, Cundinamarca  
Tel. 571 2922700 ext. 105  
jairo.salazar@  
husqvarna.com.co

**Costa Rica**

Compania Exim  
Euroiberoamericana S.A.  
Los Colegios, Moravia,  
200 metros al Sur del Colegio  
Saint Francis - San José  
Phone: (+506) 297 68 83  
exim\_euro@racsa.co.cr

**Croatia**

SILK ADRIA d.o.o.  
Josipa Lončara 3  
10090 Zagreb  
Phone: (+385) 1 3794 580  
sil.k.adria@zg.t-com.hr

**Cyprus**

Med Marketing  
17 Digeni Akrita Ave  
P.O. Box 27017  
1641 Nicosia

**Czech Republic**

Husqvarna Cesko s.r.o.  
Türkova 2319/5b  
149 00 Praha 4 – Chodov  
Bezplatná infolinka :  
800 100 425  
servis@cz.husqvarna.com

**Denmark**

GARDENA / Husqvarna  
Consumer Outdoor Products  
Salgsafdelning Danmark  
Box 9003  
S-200 39 Malmö  
info@gardena.dk

**Dominican Republic**

BOSQUESA, S.R.L  
Carretera Santiago Licey  
Km. 5 ½  
Esquina Copal II.  
Santiago, Dominican Republic  
Phone: (+809) 736-0333  
joserbosquesa@claro.net.do

**Ecuador**

Husqvarna Ecuador S.A.  
Arupos E1-181 y 10 de Agosto  
Quito, Pichincha  
Tel. (+593) 22800739  
francisco.jacome@  
husqvarna.com.ec

**Estonia**

Husqvarna Eesti OÜ  
Consumer Outdoor Products  
Kesk tee 10, Aaviku küla  
Rae vald  
Harju maakond  
75305 Estonia  
kontakt.etj@husqvarna.ee

**Finland**

Oy Husqvarna Ab  
Consumer Outdoor Products  
Lautatarhankatu 8 B / PL 3  
00581 HELSINKI  
info@gardena.fi

**France**

GARDENA France  
Immeuble Exposial  
9-11 allée des Pierres Mayettes  
ZAC des Barbanniers, B.P.99  
-F- 92232 GENNEVILLIERS  
cedex  
Tél. (+33) 01 40 85 30 40  
service.consommateurs@  
gardena.fr

**Georgia**

ALD Group  
Beliashvili 8  
1159 Tleilisi

**Great Britain**

Husqvarna UK Ltd  
Preston Road  
Aycliffe Industrial Park  
Newton Aycliffe  
County Durham  
DL5 6UP  
info.gardena@  
husqvarna.co.uk

**Greece**

HUSQVARNA ΕΛΛΑΣ Α.Ε.Β.Ε.  
Υπ/για Ηραίουστου 33Α  
Βλ. Πε. Κρωπίου  
194 00 Κρωπί Αττικής  
V.A.T. EL094094640  
Phone: (+30) 210 66 20 225  
info@husqvarna-consumer.gr

**Hungary**

Husqvarna Magyarország Kft.  
Ezred u. 1- 3  
1044 Budapest  
Telefon: (+36) 1 251-4161  
vevoszolgalt.husqvarna@  
husqvarna.hu

**Iceland**

Ó. Johnson & Kaaber  
Tunguhalsi 1  
110 Reykjavik  
ooj@ojk.is

**Ireland**

Husqvarna UK Ltd  
Preston Road  
Aycliffe Industrial Park  
Newton Aycliffe  
County Durham  
DL5 6UP  
info.gardena@  
husqvarna.co.uk

**Italy**  
Husqvarna Italia S.p.A.  
Via Como 72  
23868 VALMADRERA (LC)  
Phone: (+39) 0341.203.111  
info@gardenaitalia.it

**Japan**  
KAKUICHI Co. Ltd.  
Sumitomo Realty &  
Development Kojimachi  
BLDG., 8F  
5 - 1 Nibanncyo  
Chiyoda-ku  
Tokyo 102-0084  
Phone: (+81) 33 264 4721  
m\_ishihara@kaku-ichi.co.jp

**Kazakhstan**  
LAMED Ltd.  
155/1, Tazhibayevoi Str.  
050060 Almaty  
IP Schmidt  
Abayavenue 3B  
110 005 Kostanay

**Kyrgyzstan**  
Alye Maki  
av. Moladaya Guardir J 3  
720014 Bishkek

**Latvia**  
Husqvarna Latvija  
Consumer Outdoor Products  
Bakuzi iela 6  
LV-1024 Riga  
info@husqvarna.lv

**Lithuania**  
UAB Husqvarna Lietuva  
Consumer Outdoor Products  
Ateities pl. 77C  
LT-52104 Kaunas  
centras@husqvarna.lt

**Luxembourg**  
Magasins Jules Neuberg  
39, rue Jacques Stas  
Luxembourg-Gasperich 2549  
Case Postale No. 12  
Luxembourg 2010  
Phone: (+352) 40 14 01  
api@neuberg.lu

**Mexico**  
AFOSA  
Av. Lopez Mateos Sur # 5019  
Col. La Calma 45070  
Zapopan, Jalisco  
Mexico  
Phone: (+52) 33 3818-3434  
icomejo@afosa.com.mx

**Moldova**  
Convel S.R.L.  
290A Muncesti Str.  
2002 Chisinau

**Netherlands**  
GARDENA Nederland B.V.  
Postbus 50176  
1305 AD ALMERE  
Phone: (+31) 36 521 00 00  
info@gardena.nl

**Neth. Antilles**  
Jonka Enterprises N.V.  
Sta. Rosa Weg 196  
PO. Box 8200  
Curaçao  
Phone: (+599) 9 767 66 55  
pgm@jonka.com

**New Zealand**  
Husqvarna New Zealand Ltd.  
PO Box 76-437  
Manukau City 2241  
Phone: (+64) (0) 9 9202410  
support.nz@husqvarna.co.nz

**Norway**  
GARDENA  
Husqvarna Consumer  
Outdoor Products  
Salgskontor Norge  
Kleiverveien 6  
1540 Vestby  
info@gardena.no

**Peru**  
Husqvarna Perú S.A.  
Jr. Ramón Cárcamo 710  
Lima 1  
Tel: (+51) 1 3320400 ext. 416  
juan.remuzgo@  
husqvarna.com

**Poland**  
Husqvarna Poland Spółka z o.o.  
ul. Wysockiego 15 b  
03-371 Warszawa  
Phone: (+48) 22 330 96 00  
gardena@gardena.pl

**Portugal**  
Husqvarna Portugal, SA  
Lagoa - Albarraque  
2635 - 595 Rio de Mouro  
Tel.: (+351) 21 922 85 30  
Fax : (+351) 21 922 85 36  
info@gardena.pt

**Romania**  
Madex International Srl  
Soseaua Odaii 117- 123,  
RO 013603  
Bucuresti, S1  
Phone: (+40) 21 352.76.03  
madex@ines.ro

**Russia**  
ООО „Хускварна“  
141400, Московская обл.,  
г. Химки,  
улица Ленинградская,  
владение 39, стр.6  
Бизнес Центр  
„Химки Бизнес Парк“,  
помещение 0B02\_04

**Serbia**  
Domel d.o.o.  
Autoput za Novi Sad bb  
11273 Belgrade  
Phone: (+381) 118488812  
miroslav.jejina@domel.rs

**Singapore**  
Hy-Ray PRIVATE LIMITED  
40 Jalan Pemimpin  
#02-08 Tat Ann Building  
Singapore 577185  
Phone: (+65) 6253 2277  
shiyang@hyray.com.sg

**Slovak Republic**  
Husqvarna Česko s.r.o.  
Türkova 2319/5b  
149 00 Praha 4 – Chodov  
Bezplatná infolinka:  
800 154 044  
servis@sk.husqvarna.com

**Slovenia**  
Husqvarna Austria GmbH  
Consumer Products  
Industriezeile 36  
4010 Linz  
Tel. : (+43) 732 77 01 01- 90  
consumer.service@  
husqvarna.at

**South Africa**  
Husqvarna  
South Africa (Pty) Ltd  
Postnet Suite 250  
Private Bag X6,  
Cascades, 3202  
South Africa  
Phone: (+27) 33 846 9700  
info@gardena.co.za

**Spain**  
Husqvarna España S.A.  
C/ Basauri, nº 6  
La Florida  
28023 Madrid  
Phone: (+34) 91 708 05 00  
atencioncliente@gardena.es

**Suriname**  
Agrofix n.v.  
Verlengde Hogestraat #22  
Phone: (+597) 472426  
agrofix@srnet  
Pobox : 2006  
Paramaribo  
Suriname-South America

**Sweden**  
Husqvarna AB  
S-561 82 Huskvarna  
info@gardena.se

**Switzerland / Schweiz**  
Husqvarna Schweiz AG  
Consumer Products  
Industriestrasse 10  
5506 Mägenwil  
Phone: (+ 41) (0) 848 800 464  
info@gardena.ch

**Türkey**  
GARDENA Dost Dış Ticaret  
Müessesilik A.Ş.  
Sanayi Cad. Adil Sokak  
No: 1/B Kartal  
34873 Istanbul  
Phone: (+90) 216 38 93 939  
info@gardena-dost.com.tr

**Ukraine / Україна**  
ТОВ «Хусварна Україна»  
вул. Васильківська, 34,  
офіс 204-г  
03022, Київ  
Тел. (+38) 044 498 39 02  
info@gardena.ua

**Uruguay**  
FELI SA  
Entre Rios 1083 CP 11800  
Montevideo - Uruguay  
Tel : (+598) 22 03 18 44  
info@felisa.com.uy

**Venezuela**  
Corporación Casa y Jardín C.A.  
Av. Caroni, Edif. Trezmen, PB.  
Colinas de Bello Monte.  
1050 Caracas.  
Tlf: (+58) 212 992 33 22  
info@casayjardin.net.ve

8838-20.960.04/1211  
© GARDENA Manufacturing GmbH  
D-89070 Ulm  
http://www.gardena.com