

Art. 2693

D	Montageanleitung Wandschlauchtrommel
GB	Assembly Instructions Wall Mounted Hose Reel
F	Instructions de montage Dévidoir mural portable
NL	Montage-instructie Wandslanghouder
S	Monteringsanvisning Slangvinda 2-i-ett
I	Istruzioni di montaggio Avvolgitubo con supporto murale
E	Instrucciones de montaje Soporte mural para manguera portátil
P	Instruções de montagem Tambor para mangueira de parede
DK	Monteringsvejledning Slangeholder til væg

D**Wandschlauchhalter montieren:**

1. Obere Halterung ① mit den **mitgelieferten 6-mm-Dübeln** und Schrauben ② waagrecht an eine Wand schrauben.
2. Schlauchträger in die obere Halterung ① einsetzen und die beiden Bohrungen für die untere Halterung ③ markieren.
Die untere Halterung ③ mit den **mitgelieferten 6-mm-Dübeln** und Schrauben ④ an die Wand schrauben.
3. Schlauchträger in beide Halterungen ①/③ einsetzen und mit dem Hebel ⑤ sichern.

GB**Mounting the Wall Hose Bracket:**

1. Fasten the upper mount ① horizontally to a wall using the **6 mm dowels** and screws ② **provided**.
2. Insert the hose carrier into the upper mount ① and mark the position of the two drill holes for the lower mount ③.
Fasten the lower mount ③ to the wall using the **6 mm dowels** and screws ④ **provided**.
3. Insert the hose carrier into both mounts ①/③ and secure in place with the lever ⑤.

F**Fixation du dévidoir mural :**

1. Fixez horizontalement à un mur le support supérieur ① avec les **chevilles 6 mm** et vis ② **fournies**.
2. Introduisez le dévidoir dans le support supérieur ① et marquez les deux alésages pour le support inférieur ③.
Fixez au mur le support inférieur ③ avec les **chevilles 6 mm** et vis ④ **fournies**.
3. Introduisez le dévidoir dans les deux supports ①/③ et bloquez-le avec le levier ⑤.

NL**Wandslanghouder monteren:**

1. Bovenste houder ① met de **meegeleverde 6 mm pluggen** en schroeven ② horizontaal tegen een wand schroeven.
2. Slangdrager in de bovenste houder ① plaatsen en de beide gaten voor de onderste houder ③ markeren.
De onderste houder ③ met de **meegeleverde 6 mm pluggen** en schroeven ④ tegen de wand schroeven.
3. Slangdrager in beide houders ①/③ plaatsen en met de hendel ⑤ vastzetten.

S**Montering av väggmonterad slanghållare:**

1. Skruva fast det övre fästet ① vågrätt på en vägg med de **bifogade 6 mm pluggarna** och skruvarna ②.
2. Skjut in slanghållaren i den övre fästet ① och markera de båda hålen för det undre fästet ③.
Skruva fast det undre fästet ③ på väggen med de **bifogade 6 mm pluggarna** och skruvarna ④.
3. Skjut in slanghållaren i de båda fästena ①/③ och säkra den med spaken ⑤.

I**Montaggio del reggi-carrello:**

1. Fissare a parete il supporto superiore ①, in posizione orizzontale, usando i **tasselli da 6 mm** e le viti ② in dotazione.
2. Poggiare il carrello sul supporto superiore ①; posizionare il supporto inferiore ③ al centro del manico del carrello, avvicinarlo alla parete e, con una matita, segnare i punti in cui eseguire i due fori. Fissare quindi a parete il supporto inferiore ③ usando i **tasselli da 6 mm** e le viti ④ in dotazione.
3. Inserire il carrello nei supporti (① e ③) e bloccarlo con il fermo ⑤.

E**Montar el soporte mural para manguera:**

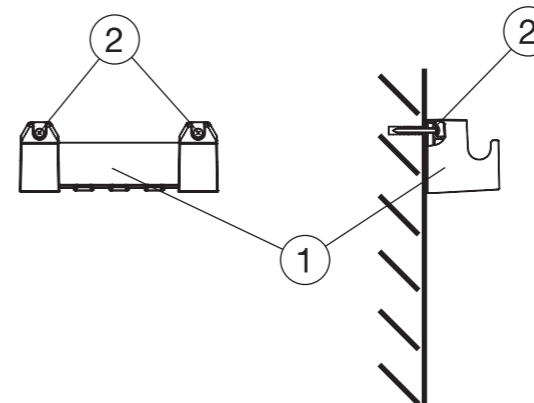
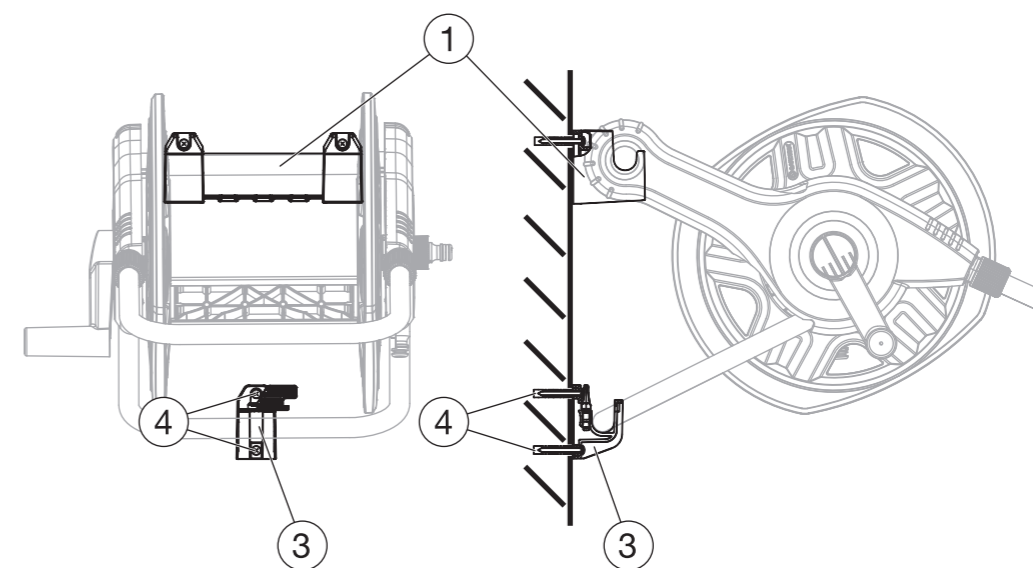
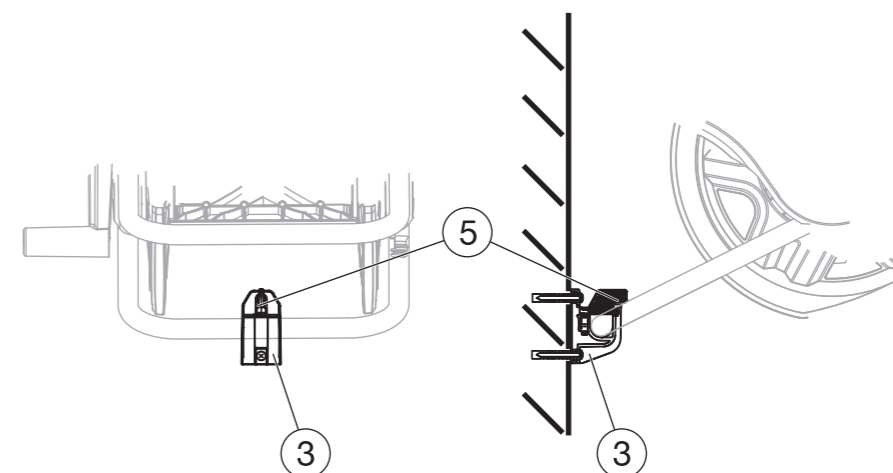
1. Fijar el soporte superior ① en posición horizontal en la pared con los **tacos** y tornillos **de 6 mm** ②, que se adjuntan.
2. Poner el soporte portamanguera en el soporte superior ① y marcar los dos agujeros para el soporte inferior ③.
Fijar el soporte inferior ③ en la pared con los **tacos** y tornillos **de 6 mm** ④, que se adjuntan.
3. Poner el soporte portamanguera en ambos soportes ①/③ y sujetarlo con la palanca ⑤.

P**Montagem do suporte de mangueira de parede:**

1. Aparafuse o suporte superior ① horizontalmente à parede, através das **buchas** e parafusos **de 6 mm** ② **fornecidos**.
2. Insira o porta-manguera no suporte superior ① e marque os dois furos para o suporte inferior ③.
Aparafuse o suporte inferior ③ à parede, através das **buchas** e parafusos **de 6 mm** ④ **fornecidos**.
3. Insira o porta-manguera em ambos os suportes ①/③ e segure-o mediante a alavanca ⑤.

DK**Montering af slangeholder til væg:**

1. Den øverste holder ① skrues vandret på en væg med de **medleverede 6 mm-dyvlere** og skruerne ②.
2. Slangebæreren anbringes i den øverste holder ① og begge borer til den nederste holder ③ markeres.
Den nederste holder ③ skrues på væggen med de **medleverede 6 mm-dyvlere** og skruerne ④.
3. Slangebæreren anbringes i begge holdere ①/③ og sikres med håndtaget ⑤.

1**2****3**

Service

Deutschland / Germany

GARDENA GmbH
Central Service
Hans-Lorenser-Straße 40
D-89079 Ulm
Produktfragen:
(+49) 731 490-123
Reparaturen:
(+49) 731 490-290
service@gardena.com

Albania

COBALT Sh.p.k.
Rr. Siri Kodra
1000 Tirana

Argentina

Husqvarna Argentina S.A.
Av.del Libertador 5954 –
Piso 11 – Torre B
(C1428ARP) Buenos Aires
Phone: (+54) 11 5194 5000
info.gardena@
ar.husqvarna.com

Armenia

Garden Land Ltd.
61 Tigran Mets
0005 Yerevan

Australia

Husqvarna Australia Pty. Ltd.
Locked Bag 5
Central Coast BC
NSW 2252
Phone: (+61) (0) 2 4352 7400
customer.service@
husqvarna.com.au

Austria / Österreich

Husqvarna Austria GmbH
Consumer Products
Industriezeile 36
4010 Linz
Tel.: (+43) 732 77 01 01 - 90
consumer.service@
husqvarna.at

Azerbaijan

Firm Progress
a. Aliyev Str. 26A
1052 Baku

Belgium

GARDENA Belgium NV/SA
Sterrebeekstraat 163
1930 Zaventem
Phone: (+32) 2 7 20 92 12
Mail: info@gardena.be

Bosnia / Hercegovina

SILK TRADE d.o.o.
Industrijska zona Bukva bb
74260 Tešanj

Brazil

Husqvarna do Brasil Ltda
Av. Francisco Matarazzo,
1400 – 19º andar
São Paulo – SP
CEP: 05001-903
Tel: 0800-112252
marketing.br.husqvarna@
husqvarna.com.br

Bulgaria

Хускварна България ЕООД
Бул. „Андрей Ляпчев“ № 72
1799 София
Тел.: (+359) 02/9753076
www.husqvarna.bg

Canada / USA

GARDENA Canada Ltd.
100 Summerlea Road
Brampton, Ontario L6T 4X3
Phone: (+1) 905 792 93 30
info@gardenacanada.com

Chile

Maquinarias Agroforestales
Ltda. (Maga Ltda.)
Santiago, Chile
Avda. Chesterton
8355 comuna Las Condes
Phone: (+56) 2 202 4417
Dalton@maga.cl
Zipcode: 7560330

Temuco, Chile

Avda. Valparaíso # 01466
Phone: (+56) 45 222 126
Zipcode: 4780441

China

Husqvarna (China) Machinery
Manufacturing Co., Ltd.
No. 1355, Jia Xin Rd.,
Ma Lu Zhen, Jia Ding Dist.,
Shanghai
201801
Phone: (+86) 21 59159629
Domestic Sales
www.gardena.com.cn

Colombia

Husqvarna Colombia S.A.
Calle 18 No. 68 D-31, zona
Industrial de Montevideo
Bogotá, Cundinamarca
Tel. 571 2922700 ext. 105
jairo.salazar@
husqvarna.com.co

Costa Rica

Compania Exim
Euroiberoamericana S.A.
Los Colegios, Moravia,
200 metros al Sur del Colegio
Saint Francis – San José
Phone: (+506) 297 68 83
exim_euro@racsa.co.cr

Croatia

SILK ADRIA d.o.o.
Josipa Lončara 3
10090 Zagreb
Phone: (+385) 1 3794 580
silk.adria@zg.t-com.hr

Cyprus

Med Marketing
17 Digeni Akrita Ave
P.O. Box 27017
1641 Nicosia

Czech Republic

Husqvarna Česko s.r.o.
Türkova 2319/5b
149 00 Praha 4 – Chodov
Bezplatná infolinka:
800 100 425
servis@cz.husqvarna.com

Denmark

GARDENA / Husqvarna
Consumer Outdoor Products
Salgsafdelning Danmark
Box 9003
S-200 39 Malmö
info@gardena.dk

Dominican Republic

BOSQUESA, S.R.L
Carretera Santiago Licey
Km. 5 ½
Esquina Copal II.
Santiago, Dominican Republic
Phone: (+809) 736-0333
joserbosquesa@claro.net.do

Ecuador

Husqvarna Ecuador S.A.
Arupos E1-181 y 10 de Agosto
Quito, Pichincha
Tel. (+593) 22800739
francisco.jacome@
husqvarna.com.ec

Estonia

Husqvarna Eesti OÜ
Consumer Outdoor Products
Kesk tee 10, Avaviku küla
Rae vald
Harju maakond
75305 Estonia
kontakt.etj@husqvarna.ee

Finland

Oy Husqvarna Ab
Consumer Outdoor Products
Lautatarhankatu 8 B / PL 3
00581 HELSINKI
info@gardena.fi

France

GARDENA France
Immeuble Exposial
9-11 allée des Pierres Mayettes
ZAC des Barbanniers, B.P. 99
-F- 92232 GENNEVILLIERS
cedex
Tél. (+33) 01 40 85 30 40
service.consommateurs@
gardena.fr

Georgia

ALD Group
Beliashvili 8
1159 Tbilisi

Great Britain

Husqvarna UK Ltd
Preston Road
Aycliffe Industrial Park
Newton Aycliffe
County Durham
DL5 6UP
info.gardena@
husqvarna.co.uk

Greece

HUSQVARNA ΕΛΛΑΣ Α.Ε.Β.Ε.
Υπ/μκ Ηφαίστου 33Α
Βι. Πε. Κορωπίου
194 00 Κορωπί Αττικής
V.A.T. EL094094640
Phone: (+30) 210 66 20 225
info@husqvarna-consumer.gr

Hungary

Husqvarna Magyarország Kft.
Ezred u. 1- 3
1044 Budapest
Telefon: (+36) 1 251-4161
vevoszolgalat.husqvarna@
husqvarna.hu

Iceland

Ó. Johnson & Kaaber
Tunguhalsi 1
110 Reykjavik
ooj@ojk.is

Ireland

Husqvarna UK Ltd
Preston Road
Aycliffe Industrial Park
Newton Aycliffe
County Durham
DL5 6UP
info.gardena@
husqvarna.co.uk

Italy

Husqvarna Italia S.p.A.
Via Como 72
23868 VALMADRERA (LC)
Phone: (+39) 0341.203.111
info@gardenaitalia.it

Japan

KAKUICHI Co. Ltd.
Sumitomo Realty &
Development Kojimachi
BLDG., 8F
5-1 Nibanncoyo
Chiyoda-ku
Tokyo 102-0084
Phone: (+81) 33 264 4721
m_ishihara@kaku-ichi.co.jp

Kazakhstan

LAMED Ltd.
155/1, Tazhibayevoi Str.
050060 Almaty
IP Schmidt
Abayavenue 3B
110 005 Kostanay

Kyrgyzstan

Alye Maki
av. Moladaya Guardir J 3
720014
Bishkek

Latvia

Husqvarna Latvija
Consumer Outdoor Products
Bākūžu iela 6
LV-1024 Rīga
info@husqvarna.lv

Lithuania

UAB Husqvarna Lietuva
Consumer Outdoor Products
Ateities pl. 77C
LT-52104 Kaunas
centras@husqvarna.lt

Luxembourg

Magasins Jules Neuberg
39, rue Jacques Stas
Luxembourg-Gasperich 2549
Case Postale No. 12
Luxembourg 2010
Phone: (+352) 40 14 01
api@neuberg.lu

Mexico

AFOSA
Av. Lopez Mateos Sur # 5019
Col. La Calma 45070
Zapopan, Jalisco
Mexico
Phone: (+52) 33 3818-3434
icornejo@afosa.com.mx

Moldova

GARDENA S.R.L.
290A Muncesti Str.
2002 Chisinau

Netherlands

GARDENA Nederland B.V.
Postbus 50176
1305 AD ALMERE
Phone: (+31) 36 521 00 00
info@gardena.nl

Neth. Antilles

Jonka Enterprises N.V.
Sta. Rosa Weg 196
P.O. Box 8200
Curaçao
Phone: (+599) 9 767 66 55
pgm@jonka.com

New Zealand

Husqvarna New Zealand Ltd.
PO Box 76-437
Manukau City 2241
Phone: (+64) (0) 9 9202410
support.nz@husqvarna.co.nz

Norway

GARDENA
Husqvarna Consumer
Outdoor Products
Salgskontor Norge
Kieverveien 6
1540 Vestby
info@gardena.no

Peru

Husqvarna Perú S.A.
Jr. Ramón Cárcamo 710
Lima 1
Tel: (+51) 1 3320400 ext. 416
juan.remuzgo@
husqvarna.com

Poland

Husqvarna
Poland Spółka z o.o.
ul. Wysockiego 15 b
03-371 Warszawa
Phone: (+48) 22 330 96 00
gardena@husqvarna.com.pl

Portugal

Husqvarna Portugal, SA
Lagoa - Albarraque
2635 - 595 Rio de Mouro
Tel.: (+351) 21 922 85 30
Fax : (+351) 21 922 85 36
info@gardena.pt

Romania

Madex International Srl
Soseaua Odaii 117 - 123,
RO 013603
București, S1
madex: (+40) 21 352.76.03
madex@ines.ro

Russia

ООО „Хускварна“
141400, Московская обл.,
г. Химки,
улица Ленинградская,
владение 39, стр.6
Бизнес Центр
„Химки Бизнес Парк“,
помещение OB02_04

Serbia

Domel d.o.o.
Autoput za Novi Sad bb
11273 Belgrade
Phone: (+381) 1 18 48 88 12
miroslav.jejina@domel.rs

Singapore

Hy-Ray PRIVATE LIMITED
40 Jalan Pemimpin
#02-08 Tat Ann Building
Singapore 577185
Phone: (+65) 6253 2277
shiyang@hyray.com.sg

Slovak Republic

Husqvarna Česko s.r.o.
Türkova 2319/5b
149 00 Praha 4 – Chodov
Bezplatná infolinka:
800 154 044
servis@sk.husqvarna.com

Slovenia

Husqvarna Austria GmbH
Consumer Products
Industriezeile 36
4010 Linz
Tel.: (+43) 732 77 01 01 - 90
consumer.service@
husqvarna.at

South Africa

Husqvarna
South Africa (Pty) Ltd
Postnet Suite 250
Private Bag X6,
Cascades, 3202
South Africa
Phone: (+27) 33 846 9700
info@gardena.co.za

Spain

Husqvarna España S.A.
C/ Basauri, nº 6
La Florida
28023 Madrid
Phone: (+34) 91 708 05 00
atencioncliente@gardena.es

Suriname

Agrofix n.v.
Verlengde Hogestraat #22
Phone: (+597) 472426
agrofix@sr.net
Pobox : 2006
Paramaribo
Suriname – South America

Sweden

Husqvarna AB
S-561 82 Huskvarna
info@gardena.se

Switzerland / Schweiz

Husqvarna Schweiz AG
Consumer Products
Industriestrasse 10
5506 Mägenwil
Phone: (+41) (0) 848 800 464
info@gardena.ch

Turkey

GARDENA Dost Diş Ticaret
Mümesillik A.Ş.
Sanayi Çad. Adil Sokak
No: 1/B Kartal
34873 Istanbul
Phone: (+90) 216 38 93 939
info@gardena-dost.com.tr

Ukraine / Україна

ТОВ «Хусварна Україна»
вул. Васильківська, 34,
офіс 204-г
03022, Київ
Тел. (+38) 044 498 39 02
info@gardena.ua

Uruguay

FELI SA
Entre Ríos 1083 CP 11800
Montevideo – Uruguay
Tel: (+598) 22 03 18 44
info@felisa.com.uy

Venezuela

Corporación Casa y Jardín C.A.
Av. Caroní, Edif. Trezmen, PB.
Colinas de Bello Monte.
1050 Caracas.
Tlf: (+58) 212 992 33 22
info@casayjardin.net.ve

2693-20.961.05/0212
© GARDENA Manufacturing GmbH
D-89070 Ulm
http://www.gardena.com