

REPAIR PARTS MANUAL
MODEL NO. LZ12597RB (96061029703)
Lawn Tractor

HOW TO USE THIS MANUAL

This manual is designed to provide the customer with a means to identify the parts on his/her tractor when ordering repair parts. The illustrations may or may not represent the actual assemblies; therefore, it is not recommended to use this manual as a guide to assemble or disassemble the tractor. Some hardware and parts are drawn larger in order to more readily identify them.

Each tractor has its own model number.

The model number for your tractor can be found on the fender under the seat.

When ordering parts, always give the following information:

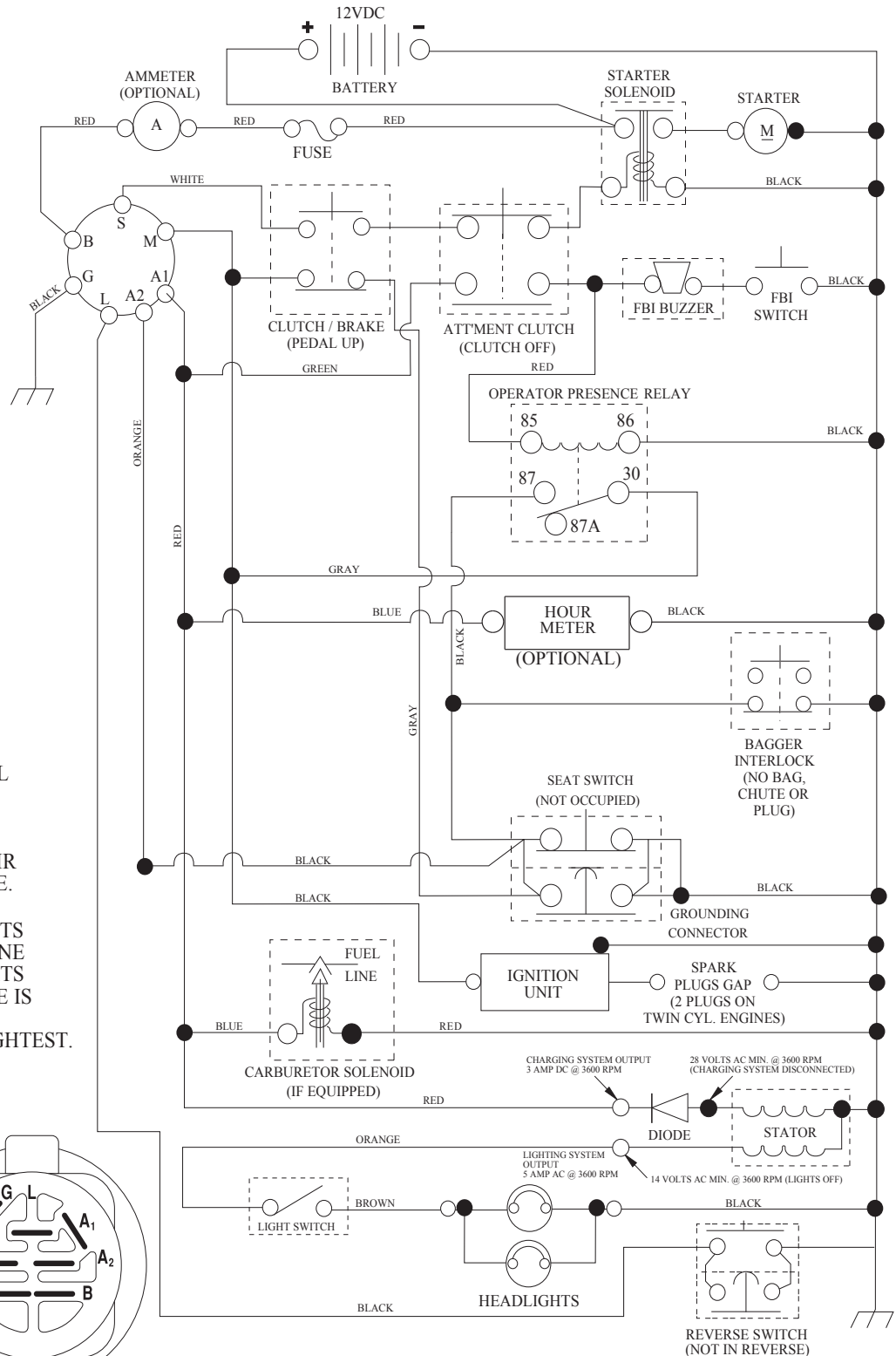
- Product - "Tractor"
- Model Number - "LZ12597RB (96061029703)"
- Part Number
- Part Description

TABLE OF CONTENTS

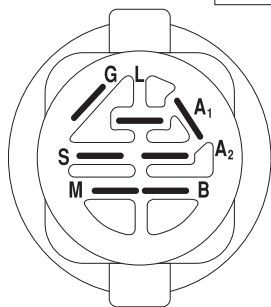
| | |
|-----------------------------|-------|
| SCHEMATIC | 3 |
| ELECTRICAL..... | 4-5 |
| CHASSIS AND ENCLOSURES..... | 6-7 |
| DRIVE..... | 8-9 |
| ENGINE..... | 10-11 |
| STEERING ASSEMBLY..... | 12-13 |
| MOWER | 14-15 |
| MOWER LIFT..... | 16 |
| SEAT ASSEMBLY..... | 17 |
| BAGGER..... | 18 |
| DECALS..... | 19 |

TRACTOR- -MODEL NO. LZ12597RB (96061029703), PRODUCT NO. 960 61 02-97 SCHEMATIC

SCH08



NOTE
YOUR TRACTOR IS EQUIPPED WITH A SPECIAL ALTERNATOR SYSTEM. THE LIGHTS ARE NOT CONNECTED TO THE BATTERY, BUT HAVE THEIR OWN ELECTRICAL SOURCE. BECAUSE OF THIS, THE BRIGHTNESS OF THE LIGHTS WILL CHANGE WITH ENGINE SPEED. AT IDLE THE LIGHTS WILL DIM. AS THE ENGINE IS SPEEDED UP, THE LIGHTS WILL BECOME THEIR BRIGHTEST.

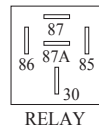


IGNITION SWITCH

| POSITION | CIRCUIT "MAKE" |
|--------------|----------------|
| OFF | M+G+A1 |
| RUN/OVERRIDE | B+A1 |
| RUN | B+A1 L+A2 |
| START | B + S + A1 |

WIRING INSULATED CLIPS
NOTE: IF WIRING INSULATED CLIPS WERE REMOVED FOR SERVICING OF UNIT, THEY SHOULD BE RE-INSTALLED TO PROPERLY SECURE YOUR WIRING.

REMOVABLE CONNECTIONS
NON-REMOVABLE CONNECTIONS



RELAY

REPAIR PARTS

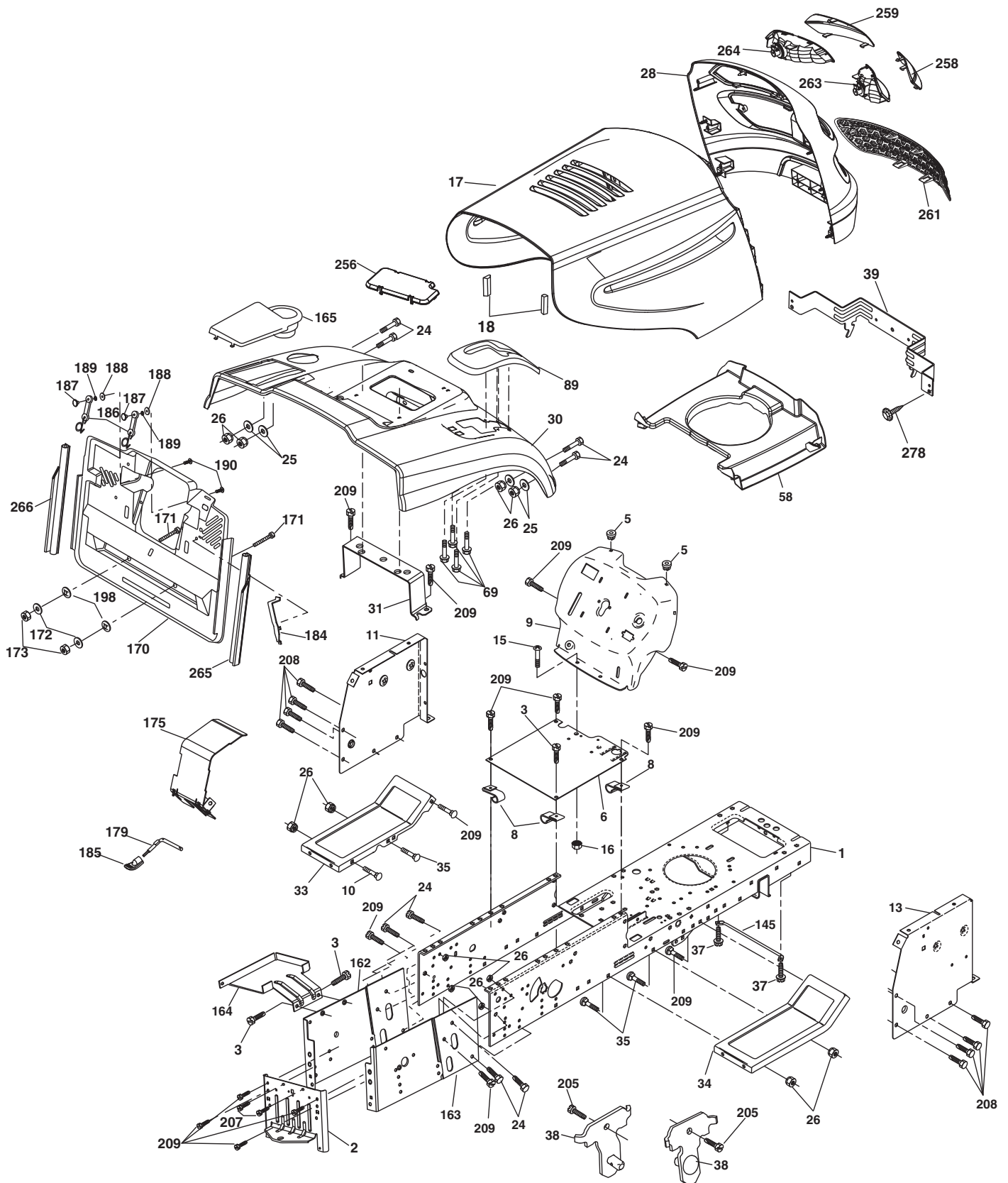
TRACTOR- -MODEL NO. LZ12597RB (96061029703), PRODUCT NO. 960 61 02-97
ELECTRICAL

| KEY NO. | PART NO. | DESCRIPTION |
|---------|--------------|-----------------------------------|
| 1 | 532 16 34-65 | Battery |
| 2 | 874 76 04-12 | Bolt Hex Hd 1/4-20 unc x 3/4 |
| 16 | 532 17 61-38 | Switch Interlock Push-In |
| 21 | 532 18 37-59 | Harness Asm. Light |
| 22 | 532 00 41-52 | Bulb Light |
| 24 | 532 42 12-99 | Cable Starter 6 Ga. 11" Red |
| 25 | 532 16 59-87 | Cable Battery CRD 56" Red |
| 26 | 532 17 51-58 | Fuse 20 Amp |
| 27 | 873 51 04-00 | Nut Keps Hex 1/4-20 unc |
| 28 | 532 12 77-25 | Cable Ground 6 Ga.18" Black |
| 29 | 532 19 27-49 | Switch Seat |
| 30 | 532 19 33-50 | Switch Ignition |
| 33 | 532 41 19-35 | Key/Chain |
| 34 | 532 11 07-12 | Switch Light |
| 40 | 532 19 74-36 | Harness Ignition |
| 41 | 871 11 04-08 | Bolt Flk Fin Hex 1/4-20 unc x 1/2 |
| 42 | 532 13 15-63 | Cover Terminal Red |
| 43 | 532 19 25-07 | Solenoid |
| 48 | 532 14 08-44 | Adapter Ammeter Rectangular |
| 58 | 532 16 94-19 | Buzzer CRD |
| 59 | 532 18 03-79 | Switch FBI CRD |
| 66 | 817 49 06-08 | Screw Thdrol 3/8-16 x 1/2 Ty-Tt |
| 79 | 532 17 52-42 | Socket Asm. Bulb Twistlock |
| 81 | 532 10 97-48 | Relay Asm. |
| 92 | 532 19 66-15 | Harness Pigtail Console ROS |
| 93 | 532 19 25-40 | Screw Plastite 10-14 x 2.0 |
| 94 | 532 19 18-34 | Module Reverse ROS |

NOTE: All component dimensions given in U.S. inches.
1 inch = 25.4 mm.

REPAIR PARTS

TRACTOR- -MODEL NO. LZ12597RB (96061029703), PRODUCT NO. 960 61 02-97
CHASSIS AND ENCLOSURES



chassis-CRD_Elite SV Pro_1

REPAIR PARTS

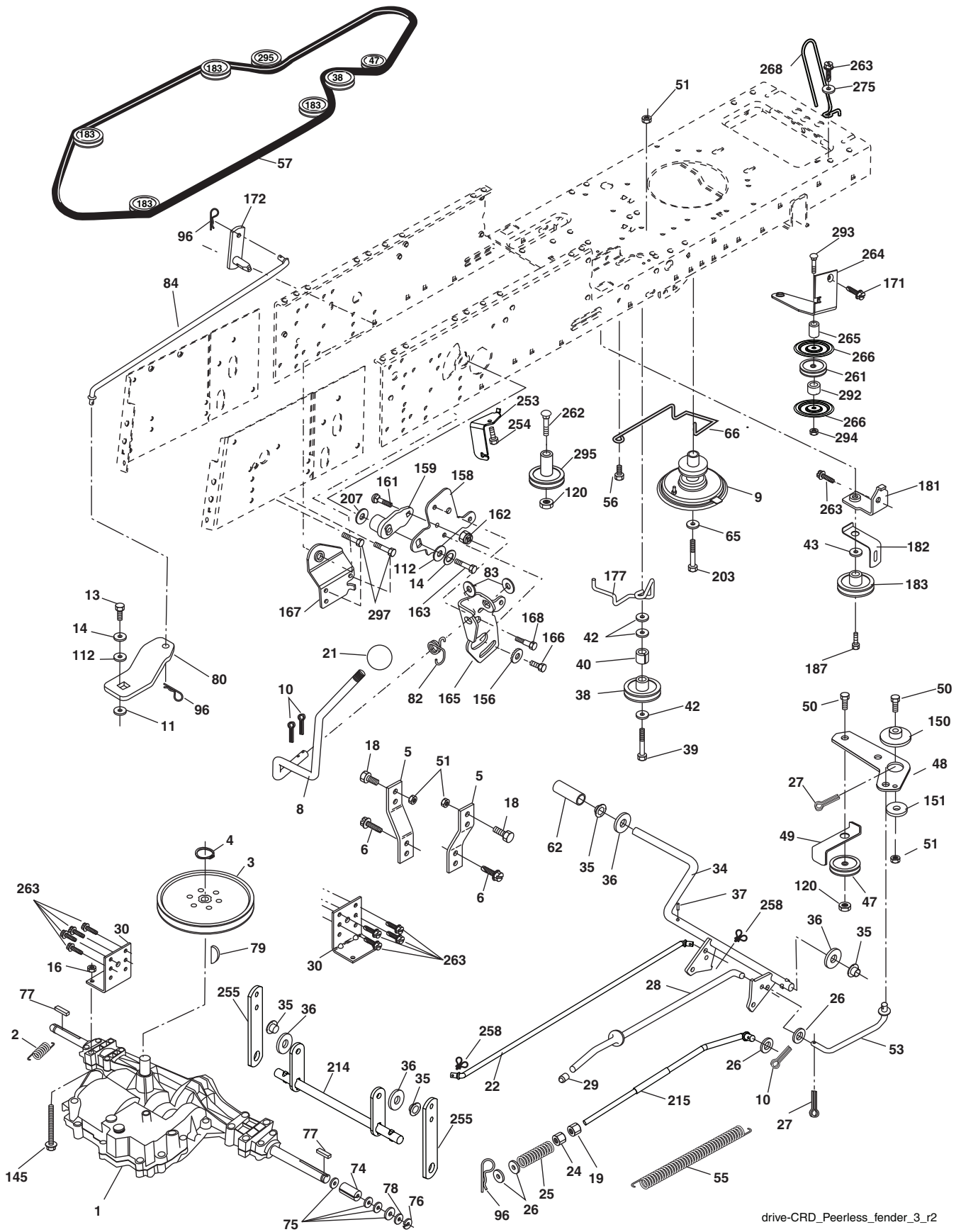
TRACTOR- -MODEL NO. LZ12597RB (96061029703), PRODUCT NO. 960 61 02-97 CHASSIS AND ENCLOSURES

| KEY NO. | PART NO. | DESCRIPTION | KEY NO. | PART NO. | DESCRIPTION |
|---------|--------------|---|---------|--------------|-------------------------------------|
| 1 | 532 17 46-20 | Chassis | 164 | 532 16 56-05 | Support Battery CRD |
| 2 | 532 18 03-84 | Drawbar | 165 | 532 18 13-56 | Cover Battery CRD Lt. |
| 3 | 817 06 06-12 | Screw 3/8-16 x .75 | 170 | 532 19 94-88 | Backplate CRD |
| 5 | 532 15 52-72 | Bumper Hood/Dash | 171 | 872 14 06-20 | Bolt Rdhd Sqnk 3/8-16 x 2-1/2 Gr. 5 |
| 6 | 532 18 44-19 | Saddle | 172 | 819 13 20-16 | Washer 13/32 x 1-1/4 x 16 Ga. |
| 8 | 532 12 64-71 | Clip Insulator 13/32 Mtg. Hole | 173 | 873 51 06-00 | Nut, Keps Hex 3/8-16 unc |
| 9 | 532 19 46-88 | Dash | 175 | 532 18 82-03 | Trap Door CRD |
| 10 | 872 14 06-08 | Bolt, Carriage 3/8-16 x 3/4 | 179 | 532 18 82-02 | Rod Pivot FBI CRD |
| 11 | 532 17 49-96 | Panel, Dash, L.H. | 184 | 532 17 46-62 | Bracket Actuator Bagger CRD |
| 13 | 532 18 69-52 | Panel, Asm. Dash, R.H. | 185 | 532 44 14-16 | Knob Rod |
| 15 | 874 18 05-12 | Screw, Machine, Truss Head 5/16-18 unc x 3/4 | 186 | 532 16 07-93 | Latch Asm. Multch Bagger |
| 16 | 873 51 05-00 | Nut | 187 | 532 12 50-04 | Nut Weld .327/.304 #10-24 |
| 17 | 532 44 28-82 | Hood Assembly | 188 | 819 06 12-16 | Washer #10 |
| 18 | 532 18 49-21 | Bumper Hood | 189 | 810 07 10-00 | Washer Lock #10 |
| 24 | 874 78 06-16 | Bolt | 190 | 871 08 10-10 | Screw Pan Hd. Phillips 10-24 x 5/8 |
| 25 | 819 13 13-12 | Washer 13/32 x 13/16 x 12 Ga. | 198 | 532 16 89-37 | Nut Push |
| 26 | 873 80 06-00 | Nut | 205 | 817 49 06-08 | Screw 3/8-16 x 1/2 |
| 28 | 532 18 97-48 | Grille | 207 | 817 67 05-08 | Screw 5/16-18 x 1/2 |
| 30 | 532 44 15-30 | Fender | 208 | 817 67 06-08 | Screw Thdrol 3/8-16 x 1/2 |
| 31 | 532 16 51-56 | Bracket, Fender Support | 209 | 817 00 06-12 | Screw Hex Wsh. Thdrol 3/8-16 x 3/4 |
| 33 | 532 44 15-19 | Footrest, L.H. | 256 | 532 18 13-61 | Cover Fender Rack CRD |
| 34 | 532 44 15-18 | Footrest, R.H. | 258 | 532 18 97-55 | Lens Grille RH |
| 35 | 872 11 06-06 | Bolt | 259 | 532 18 97-54 | Lens Grille LH |
| 37 | 817 49 05-08 | Screw Thdrol 5/16-18 x 1/2 TYT | 261 | 532 18 97-53 | Insert Grille |
| 38 | 532 18 17-48 | Bracket Asm. Pivot Mower Rear | 263 | 532 18 38-33 | Bezel Grille RH |
| 39 | 532 40 78-07 | Bracket Pivot | 264 | 532 18 38-32 | Bezel Grille LH |
| 58 | 532 18 43-22 | Duct Intake | 265 | 532 18 57-04 | Seal RH Side Bagger |
| 69 | 532 14 24-32 | Screw Hex 1/4-1/2 | 266 | 532 18 57-03 | Seal LH Side Bagger |
| 89 | 532 19 73-39 | Console | 278 | 532 41 63-58 | Screw #10 x 0.750 |
| 145 | 532 40 91-67 | Rod Pivot Chassis/Hood | -- | 532 00 54-79 | Plug, Button |
| 162 | 532 18 03-82 | Bracket Exten. Chassis LH CRD | | | |
| 163 | 532 18 03-83 | Bracket Exten. Chassis RH CRD | | | |

NOTE: All component dimensions given in U.S. inches.
1 inch = 25.4 mm.

REPAIR PARTS

TRACTOR- -MODEL NO. LZ12597RB (96061029703), PRODUCT NO. 960 61 02-97
DRIVE



drive-CRD_Peerless_fender_3_r2

REPAIR PARTS

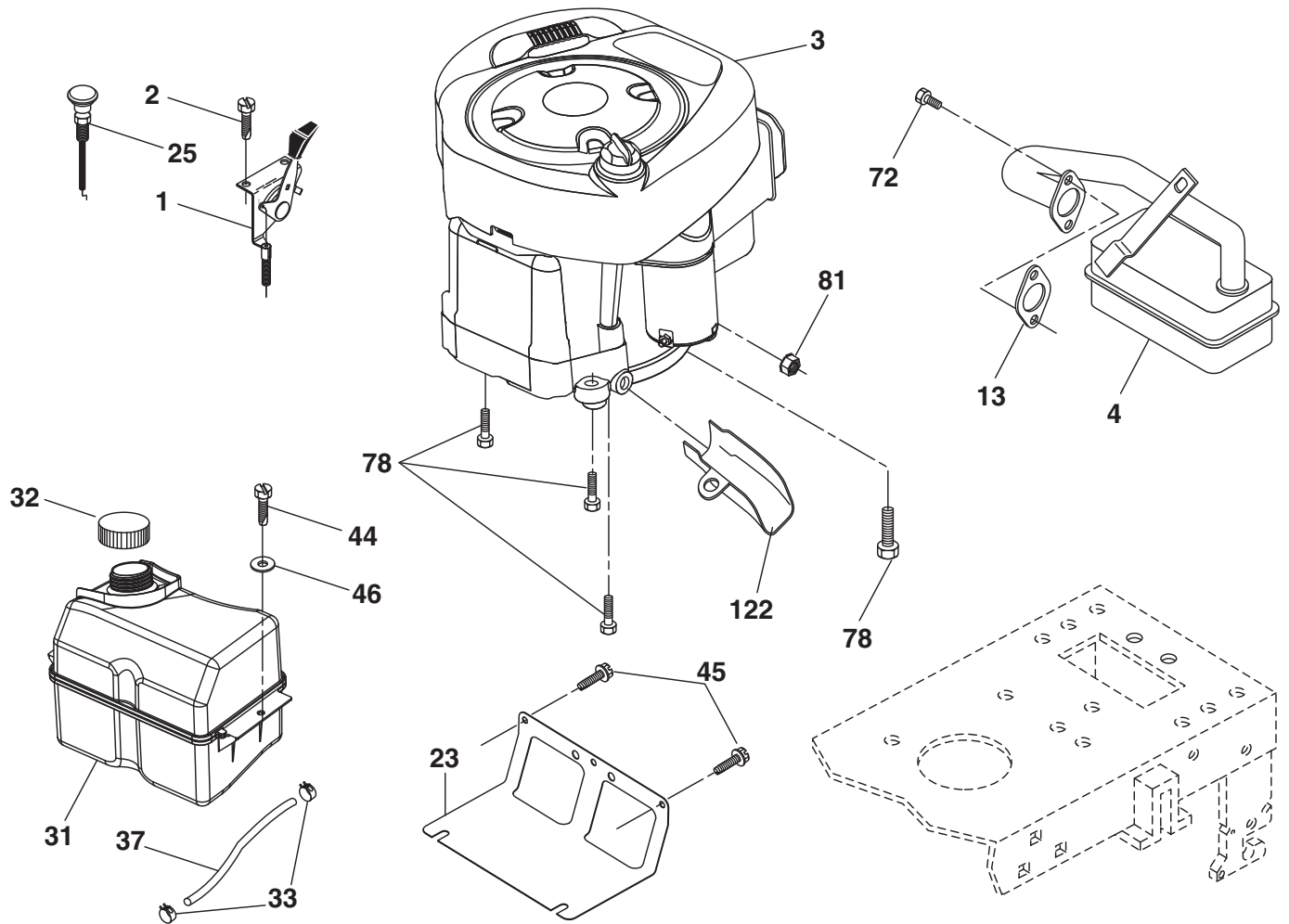
TRACTOR- -MODEL NO. LZ12597RB (96061029703), PRODUCT NO. 960 61 02-97 DRIVE

| KEY NO. | PART NO. | DESCRIPTION | KEY NO. | PART NO. | DESCRIPTION |
|---------|--------------|--|---------|--------------|-------------------------------------|
| 1 | --- | Transaxle Peerless 206-546 (165628) (Order parts from transaxle manufacturer.) | 80 | 532 14 50-90 | Arm Shift PMST 20 Tires |
| 2 | 532 14 66-82 | Spring Brake Return | 82 | 532 16 57-11 | Spring, Torsion |
| 3 | 532 16 59-99 | Pulley Transaxle | 83 | 819 17 12-16 | Washer 17/32 x 3/4 x 16 Ga. |
| 4 | 812 00 00-28 | Ring Retainer #5100-62 | 84 | 532 16 56-21 | Link Shift CRD |
| 5 | 532 12 15-20 | Strap torque 30 degrees | 96 | 532 12 47-88 | Spring, Retainer 1" |
| 6 | 817 06 05-12 | Screw 5/16-18 x 3/4 | 112 | 819 09 12-10 | Washer 9/32 x 3/4 x 10 Ga. |
| 8 | 532 19 27-06 | Rod Shift Fender Adjust Lt. | 120 | 873 90 06-00 | Nut Lock 3/8-16 |
| 9 | 532 40 85-79 | Clutch Asm. Noram | 145 | 874 49 05-40 | Bolt 5/16-18 x 2 1/2 G5 |
| 10 | 876 02 04-16 | Pin, Cotter 1/8 x 1 | 150 | 532 16 58-50 | Bushing, Bellcrank Grnd. Dr. |
| 11 | 532 10 57-01 | Washer Plate Shf .3888 sq. hole | 151 | 819 13 32-10 | Washer 13/32 x 2 x 10 Ga. |
| 13 | 874 55 04-12 | Bolt 1/4-28 unf Gr. 8 w/patch | 156 | 532 16 60-02 | Washer Srrd. 5/16 ID x 1.125 |
| 14 | 810 04 04-00 | Washer, Lock Hvy. Helical | 158 | 532 43 74-58 | Bracket Shift Mount |
| 16 | 873 80 05-00 | Nut, Lock Hex w/Ins 5/16-18 unc | 159 | 532 44 43-04 | Hub Shift |
| 18 | 874 78 06-16 | Bolt Hex 3/8-16 unc x 1 Gr. 5 | 161 | 872 14 04-06 | Bolt Rdhd Sqnk. 1/4-20 x 3/4 Gr. 5 |
| 19 | 873 80 06-00 | Nut, Lock Hex w/Wsh. 3/8-16 unc | 162 | 873 68 04-00 | Nut Crownlock 1/4-20 unc |
| 21 | 532 10 69-33 | Knob Round 1/2-13 unc Blk. | 163 | 874 78 04-16 | Bolt Hex Fin 1/4-20 unc x 1 Gr. 5 |
| 22 | 532 17 56-07 | Rod, Brake CRD Main | 165 | 532 43 82-50 | Bracket Pivot Lever |
| 24 | 873 35 06-00 | Nut | 166 | 817 49 05-10 | Screw 5/16-18 x 5/8 |
| 25 | 532 10 68-88 | Spring, Rod, Brake | 167 | 532 16 55-88 | Bracket Support Shift CRD |
| 26 | 819 13 13-16 | Washer 13/32 x 13/16 x 16 Ga. | 168 | 532 16 54-92 | Bolt Shoulder 5/16-18 x .561 |
| 27 | 876 02 04-12 | Pin, Cotter 1/8 x 3/4 | 171 | 817 49 06-08 | Screw Thdrol. 3/8-16 x 1/2 Ty-Tt |
| 28 | 532 17 57-65 | Rod, Parking Brake | 172 | 532 16 56-35 | Shaft Asm. Shift Front CRD |
| 29 | 532 07 16-73 | Cap, Parking Brake | 177 | 532 16 59-32 | Keeper Flat Idler 3.06 CRD |
| 30 | 532 17 49-73 | Bracket, Mfg. Transaxle | 181 | 532 18 02-11 | Bracket Idler Ground Drive CRD |
| 34 | 532 17 55-78 | Shaft, Asm. Pedal Foot CRD | 182 | 532 18 26-82 | Keeper Belt 2.5 Od V-Idler CRD |
| 35 | 532 12 01-83 | Bearing, Nylon | 183 | 532 19 95-34 | Pulley V-Idler |
| 36 | 819 21 16-16 | Washer 21/32 x 1 x 16 Ga. | 187 | 817 58 05-20 | Screw 5/16-18 x 1.25 |
| 37 | 532 12 49-63 | Pin, Roll 3/16 x 1 " | 203 | 871 17 07-80 | Bolt Hex 7/16-20 x 5 |
| 38 | 532 16 59-36 | Pulley, Flat | 207 | 532 16 98-45 | Washer Nylon |
| 39 | 874 76 06-44 | Bolt Fin Hex 3/8-16 unc x 2-3/4 | 214 | 532 17 56-09 | Shaft Asm. Brake |
| 40 | 532 12 49-65 | Spacer, Split 395 x 59 Bzp | 215 | 532 41 01-42 | Rod Brake Secondary |
| 42 | 819 13 13-12 | Washer 13/32 x 13/16 x 12 Ga. | 253 | 532 17 50-28 | Bracket Cable Chassis |
| 43 | 819 11 10-12 | Washer 11/32 x 5/8 x 12 Ga. | 254 | 817 00 06-16 | Screw 3/8-16 x 1 |
| 47 | 532 12 77-83 | Pulley, Idler, V Groove Plastic | 255 | 532 17 56-08 | Brace Shaft Brake |
| 48 | 532 15 44-07 | Bellcrank Clutch Grnd. Drv. | 258 | 532 17 80-62 | Clip Retainer |
| 49 | 532 12 32-05 | Retainer, Belt Style Spring | 261 | 532 13 14-94 | Pulley Idler Flat Plated |
| 50 | 872 11 06-12 | Bolt Carr. Sh. 3/8-16 x 1-1/2 Gr. 5 | 262 | 872 11 06-22 | Bolt Rdhd. 3/8-16 unc x 2-3/4 Gr. 5 |
| 51 | 873 68 06-00 | Nut, Crownlock 3/8-16 unc | 263 | 817 00 06-12 | Screw Hex Wsh. THDR 3/8-16 x 3/4 |
| 53 | 532 19 96-52 | Link, Clutch 7.66 | 264 | 532 43 11-74 | Bracket Idler Chassis |
| 55 | 532 10 57-09 | Spring, Return, Clutch | 265 | 532 42 69-13 | Spacer Idler Chassis |
| 56 | 817 06 06-20 | Screw 3/8-16 x 1-1/4 | 266 | 532 18 20-61 | Shield Idler |
| 57 | 532 16 56-31 | V-Belt CRD | 268 | 532 18 24-02 | Guard Muffler OHV B&S RH |
| 62 | 532 12 48-72 | Cover, Pedal | 275 | 819 13 16-14 | Washer 13/32 x 1 x 14 Ga. |
| 65 | 810 04 07-00 | Washer | 292 | 532 40 02-71 | Spacer Noram |
| 66 | 532 15 47-78 | Keeper, Belt Engine F-Proof | 293 | 872 14 06-28 | Bolt Rdhd. Sqnk. 3/8-16 x 3-1/2 |
| 74 | 532 13 70-57 | Spacer Axle | 294 | 532 19 70-33 | Nut Jam 3/8-16 |
| 75 | 532 12 17-49 | Washer 25/32 x 1-1/4 x 16 Ga. | 295 | 532 17 91-14 | Pulley Idler Composite |
| 76 | 812 00 00-01 | Ring, E | 297 | 817 49 06-10 | Screw Hxwsh Thdr 3/8-16 x 5/8 |
| 77 | 532 12 35-83 | Key, Square | | | |
| 78 | 532 12 17-48 | Washer 25/32 x 1-5/8 x 16 Ga. | | | |
| 79 | 532 12 50-96 | Key Woodruff | | | |

NOTE: All component dimensions given in U.S. inches
1 inch = 25.4 mm

REPAIR PARTS

TRACTOR- -MODEL NO. LZ12597RB (96061029703), PRODUCT NO. 960 61 02-97
ENGINE



29

OPTIONAL EQUIPMENT

Spark Arrester

engine-CRD_bs_20

REPAIR PARTS

TRACTOR- -MODEL NO. LZ12597RB (96061029703), PRODUCT NO. 960 61 02-97
ENGINE

| KEY NO. | PART NO. | DESCRIPTION |
|---------|--------------|--|
| 1 | 532 17 05-51 | Control Throttle /Choke |
| 2 | 817 72 04-08 | Screw Hex Thd. Cut 1/4-20 x 5/8 T |
| 3 | --- | Engine B&S Model 219807-3402-B1 (438614) (Order parts from engine manufacturer.) |
| 4 | 532 17 97-58 | Muffler Exhaust |
| 13 | 532 16 52-91 | Gasket |
| 23 | 532 16 98-37 | Shield Browning/Debris Guard |
| 25 | 532 19 06-95 | Control Choke |
| 29 | 532 13 71-80 | Arrester Spark |
| 31 | 532 40 75-51 | Tank Fuel |
| 32 | 532 43 02-20 | Cap Asm. Fuel Top |
| 33 | 532 12 34-87 | Clamp Hose Blk. |
| 37 | 532 13 70-40 | Line Fuel 20 " |
| 44 | 817 67 04-12 | Screw Hex. Wsh. Thdrol. 3/8-16 x 3/4 |
| 45 | 817 00 06-12 | Screw 3/8-16 x 3/4 |
| 46 | 819 09 14-16 | Washer 9/32 x 7/8 x 16 Ga. |
| 72 | 532 19 23-34 | Screw Socket Head 5/16-18 x .75 |
| 78 | 817 06 06-20 | Screw 3/8-16 x 1-1/4 |
| 81 | 873 51 04-00 | Nut Keps Hex 1/4-20 unc |
| 122 | 532 42 19-22 | Extension Drain Oil |

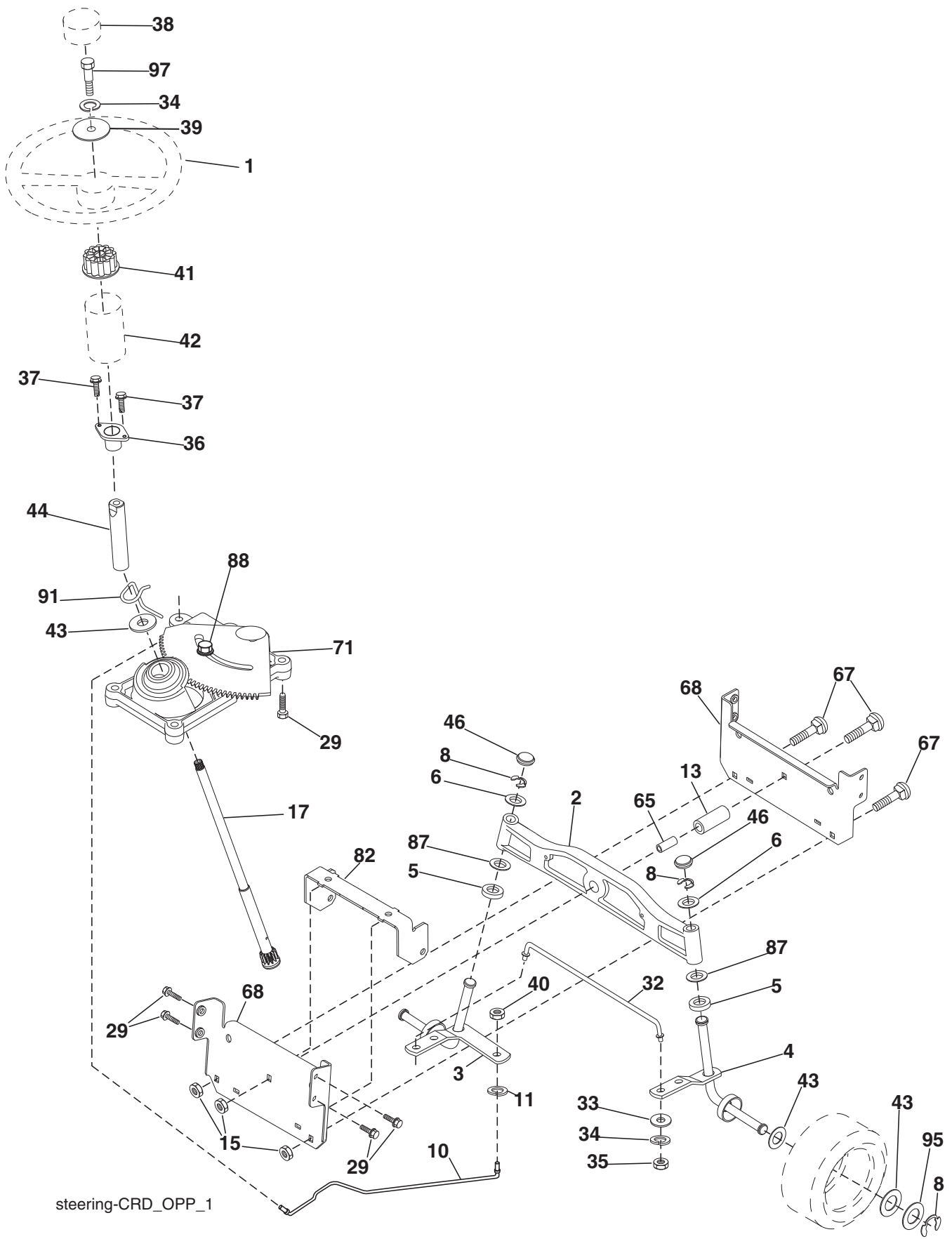
NOTE: All component dimensions given in U.S. inches
1 inch = 25.4 mm

Engine Power Rating Information

The gross power rating for individual gas engine models is labeled in accordance with SAE (Society of Automotive Engineers) code J1940 (Small Engine Power & Torque Rating Procedure), and rating performance has been obtained and corrected in accordance with SAE J1995 (Revision 2002-05). Torque values are derived at 3060 RPM; horsepower values are derived at 3600 RPM. Actual gross engine power will be lower and is affected by, among other things, ambient operating conditions and engine-to-engine variability. Given both the wide array of products on which engines are placed and the variety of environmental issues applicable to operating the equipment, the gas engine will not develop the rated gross power when used in a given piece of power equipment (actual "on-site" or net power). This difference is due to a variety of factors including, but not limited to, accessories (air cleaner, exhaust, charging, cooling, carburetor, fuel pump, etc.), application limitations, ambient operating conditions (temperature, humidity, altitude), and engine-to-engine variability. Due to manufacturing and capacity limitations, Briggs & Stratton may substitute an engine of higher rated power for this Series engine.

REPAIR PARTS

TRACTOR- -MODEL NO. LZ12597RB (96061029703), PRODUCT NO. 960 61 02-97
STEERING ASSEMBLY



steering-CRD_OPP_1

REPAIR PARTS

TRACTOR- -MODEL NO. LZ12597RB (96061029703), PRODUCT NO. 960 61 02-97
STEERING ASSEMBLY

| KEY NO. | PART NO. | DESCRIPTION |
|---------|--------------|-----------------------------------|
| 1 | 532 18 67-80 | Steering Wheel |
| 2 | 532 18 47-06 | Cast Iron Axle Assembly |
| 3 | 532 16 98-40 | Spindle Assembly, L.H. |
| 4 | 532 16 98-39 | Spindle Assembly, R.H. |
| 5 | 532 12 49-31 | Washer Thrust .75 x 1.230 |
| 6 | 532 12 17-48 | Washer 25/32 x 1-5/8 x 16 Ga. |
| 8 | 812 00 00-29 | Ring, Clip |
| 10 | 532 17 51-21 | Link, Drag |
| 11 | 810 04 06-00 | Washer, Lock |
| 13 | 532 13 65-18 | Spacer Brg. Axle Front |
| 15 | 873 90 06-00 | Nut, Lock Flg. 3/8-16 |
| 17 | 532 19 07-53 | Shaft, Steering |
| 29 | 817 00 06-12 | Screw, 3/8-16 x 3/4 |
| 32 | 532 17 01-62 | Rod, Tie |
| 33 | 819 11 12-16 | Washer 11/32 x 3/4 x 16 Ga. |
| 34 | 810 04 05-00 | Washer Lock Hvy. Hlcl. Spr. 5/16 |
| 35 | 873 54 05-00 | Nut Crownlock 5/16-24 unf |
| 36 | 532 15 50-99 | Bushing, Steering |
| 37 | 532 15 29-27 | Screw TT #10-32 x 5 x 3/8 Flange |
| 38 | 532 19 29-16 | Cap Wheel Steer |
| 39 | 819 11 38-12 | Washer 11/32 x 2-3/8 x 12 Ga. |
| 40 | 873 54 06-00 | Nut Crownlock 3/8-24 |
| 41 | 532 18 67-37 | Adaptor, Steering Wheel |
| 42 | 532 16 96-33 | Boot, Steering Dash P/L Mtl. |
| 43 | 532 12 17-49 | Washer 25/32 x 1-1/4 x 16 Ga. |
| 44 | 532 19 07-52 | Extension Steering |
| 46 | 532 12 12-32 | Cap, Spindle |
| 65 | 532 41 47-36 | Spacer Brace Axle |
| 67 | 872 11 06-18 | Bolt Rdhd. Sq. 3/8-16 unc x 2-1/4 |
| 71 | 532 17 51-46 | Steering Asm. |
| 68 | 532 16 98-27 | Brace Axle |
| 82 | 532 19 99-78 | Bracket Susp. Chassis Front |
| 87 | 532 17 39-66 | Washer Flat .781 x 1-1/2 x .14 |
| 88 | 532 17 51-18 | Bolt Shoulder 7/16-20 unc |
| 91 | 532 17 55-53 | Clip Steering |
| 95 | 532 18 89-67 | Washer Harden .793 x 1.637 x 060 |
| 97 | 532 42 89-82 | Bolt Fin Hx 5/16-18 x 4 |

NOTE: All component dimensions given in U.S. inches.
1 inch = 25.4 mm.

REPAIR PARTS

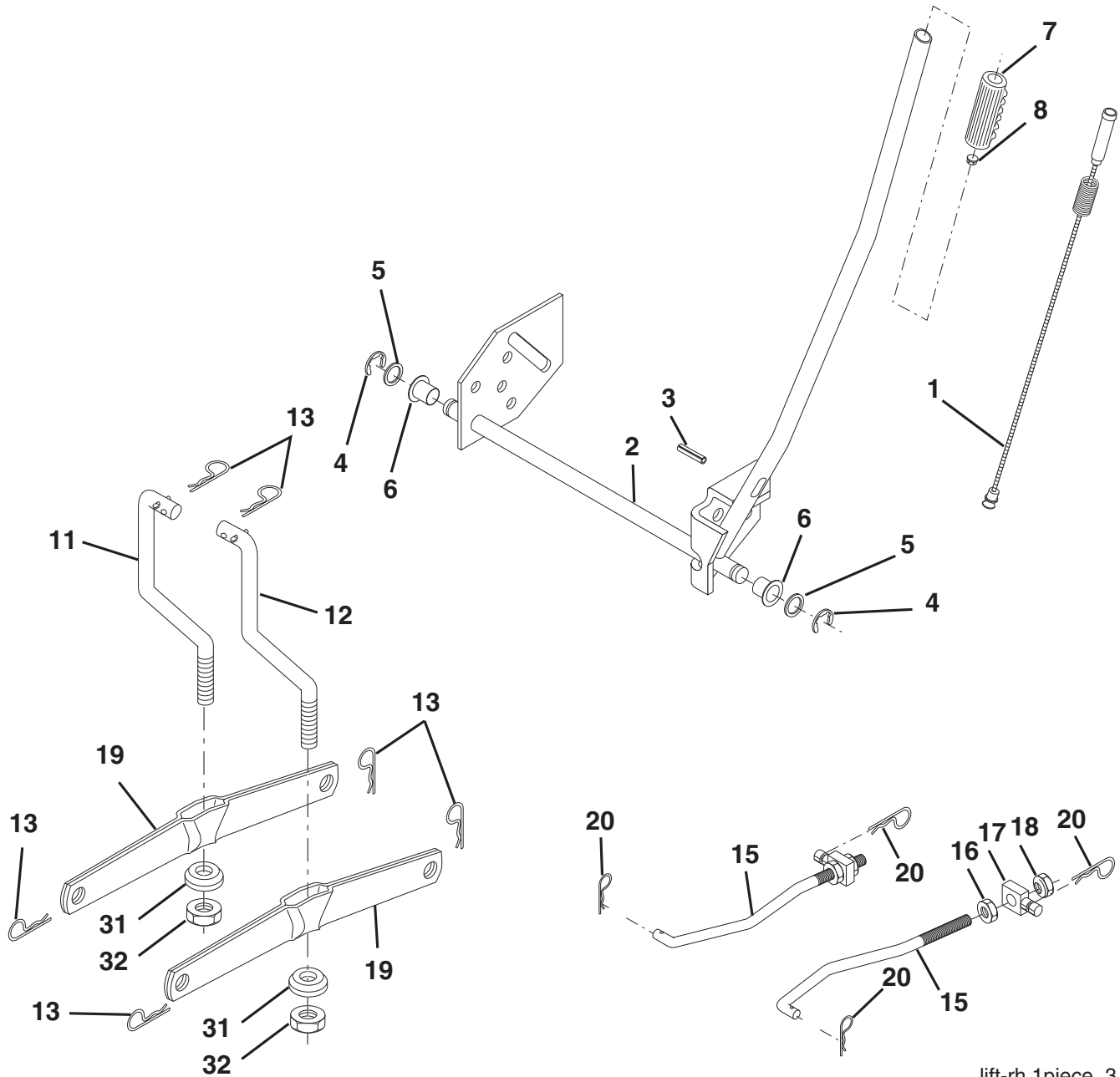
TRACTOR- -MODEL NO. LZ12597RB (96061029703), PRODUCT NO. 960 61 02-97
MOWER

| KEY NO. | PART NO. | DESCRIPTION | KEY NO. | PART NO. | DESCRIPTION |
|---------|--------------|-------------------------------------|---------|--------------|--|
| 1 | 532 42 91-21 | Housing Asm. Mower | 68 | 532 42 95-32 | Drive Belt |
| 3 | 532 43 18-64 | Bracket Asm. S-Bar Chass | 69 | 532 16 54-82 | Shaft Asm w/Lwr Brg RH Thd |
| 5 | 532 12 46-70 | Retainer Spring | 80 | 532 42 30-62 | Palnut 1/4 |
| 6 | 532 16 55-57 | Bar Sway | 84 | 532 15 60-85 | Keeper Belt Idler |
| 8 | 532 18 17-12 | Bolt 3/8-24 x 1.25 Gr. 8 Patched | 116 | 532 19 34-06 | Bolt Shoulder |
| 9 | 810 03 06-00 | Washer Lock Hvy 3/8 Unplated | 117 | 532 17 48-73 | Wheel Gauge |
| 10 | 532 14 02-96 | Washer Hard Blade Mower Vented | 119 | 819 13 20-12 | Washer 13/32 x 1-1/4 x 12 Ga. |
| 11 | 532 42 79-84 | Blade 3-1 LH | 124 | 872 11 06-12 | Bolt Carr Sh 3/8-16 x 1-1/2 Gr. 5 |
| 13 | 532 13 76-45 | Shaft Asm. w/Lower Bearing | 131 | 532 16 56-61 | Chute Bagger |
| 14 | 532 12 87-74 | Housing Mandrel Vented (Machd) | 152 | 532 17 60-74 | Cable Clutch CRD |
| 15 | 532 11 04-85 | Bearing Ball Mandrel | 158 | 817 72 04-08 | Screw Hex Thd Cut 1/4-20 x 1/2 |
| 16 | 532 42 79-85 | Blade 3-1 RH | 185 | 532 18 82-34 | Head Asm Cable Clutch |
| 17 | 872 14 06-10 | Bolt Carriage 3/8-16 x 1-1/4 | 260 | 817 67 06-08 | Screw 3/8-16 x 1/2 |
| 19 | 532 13 28-27 | Bolt Shoulder 5/16-18 Thd Form | 298 | 817 49 06-28 | Screw 3/8-16 x 1-3/4 |
| 20 | 532 18 17-13 | Bolt 3/8-24 x 1.25 Gr. 8 Ptch Lhthd | -- | 532 18 18-57 | Mandrel Assembly (Includes hous- ing (Key #14), shaft assembly (Key #13), and bearing only (Key #15) - pulley/nut/washer and blade bolt/ washers not included) |
| 22 | 532 43 11-69 | Bracket Idler Sprt Rear RH | -- | 532 18 18-58 | Mandrel Asm CRD LH Threads SVC |
| 27 | 532 42 79-81 | Bracket Asm. Susp. Rear RH | -- | 532 43 15-80 | Replacement Mower, Complete (Std. Deck - Order separately gauge wheel components key nos. 116-119) |
| 30 | 532 17 39-84 | Screw Thd Rolling | | | |
| 31 | 532 18 76-90 | Washer Spacer Mower Vented | | | |
| 32 | 532 15 35-32 | Mandrel Pulleys | | | |
| 33 | 532 40 02-34 | Nut Flg Top Lock | | | |
| 36 | 532 14 67-63 | Pulley Idler V-Groove Dim 4.25 | | | |
| 40 | 873 68 06-00 | Nut Crownlock 3/8-16 unc | | | |
| 41 | 873 90 06-00 | Nut Lock Flg. 3/8-16 unc | | | |
| 44 | 532 43 11-70 | Cover Mandrel LH | | | |
| 45 | 532 43 89-68 | Cover Mandrel RH | | | |
| 46 | 532 13 77-29 | Screw 1/4-20 x 5/8 | | | |
| 55 | 532 19 94-98 | Arm Idler | | | |
| 56 | 532 16 57-23 | Spacer Retainer Mower | | | |
| 61 | 532 19 94-86 | Spring Tension Belt | | | |
| 67 | 532 10 69-32 | Knob Rd 3/8-16 | | | |

NOTE: All component dimensions given in U.S. inches.
1 inch = 25.4 mm

REPAIR PARTS

TRACTOR- -MODEL NO. LZ12597RB (96061029703), PRODUCT NO. 960 61 02-97
MOWER LIFT



lift-rh.1piece_3

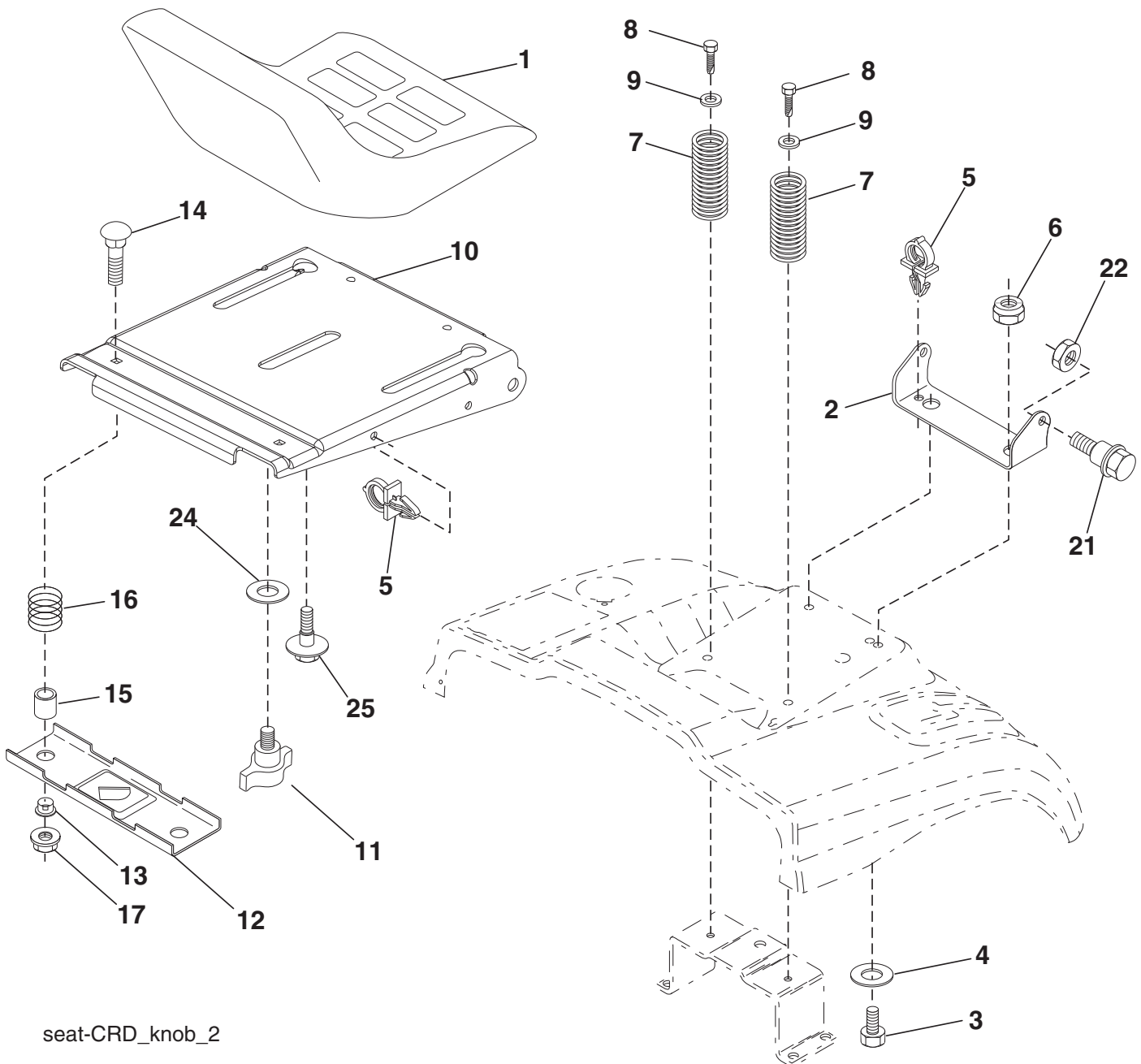
| KEY NO. | PART NO. | DESCRIPTION |
|---------|--------------|---------------------------|
| 1 | 532 40 50-07 | Plunger Asm. Lift Lever |
| 2 | 532 19 80-70 | Shaft Asm. Lift |
| 3 | 532 18 88-22 | Pin Groove |
| 4 | 812 00 00-02 | E Ring #5133-62 |
| 5 | 819 21 16-21 | Washer 21/32 x 1 x 21 Ga. |
| 6 | 532 12 01-83 | Bearing Nylon |
| 7 | 532 10 94-13 | Grip Handle Bicycle |
| 8 | 532 12 45-26 | Button Plunger Black |
| 11 | 532 13 98-65 | Link Asm. Lift L.H. |
| 12 | 532 13 98-66 | Link Asm. Lift R.H. |
| 13 | 532 12 46-70 | Retainer Spring |
| 15 | 532 17 32-88 | Link Front |

| KEY NO. | PART NO. | DESCRIPTION |
|---------|--------------|----------------------------|
| 16 | 873 35 08-00 | Nut Jam Hex 1/2-13 unc |
| 17 | 532 17 56-89 | Trunnion Blk. Zinc |
| 18 | 873 80 08-00 | Nut Lock w/Wsh. 1/2-13 unc |
| 19 | 532 13 98-68 | Arm Suspension Mower |
| 20 | 532 19 42-09 | Retainer Spring |
| 31 | 532 16 98-65 | Bearing, Pvt. Lift. |
| 32 | 873 54 06-00 | Nut Crownlock 3/8-24 |

NOTE: All component dimensions given in U.S. inches
1 inch = 25.4 mm

REPAIR PARTS

TRACTOR- -MODEL NO. LZ12597RB (96061029703), PRODUCT NO. 960 61 02-97
SEAT ASSEMBLY



seat-CRD_knob_2

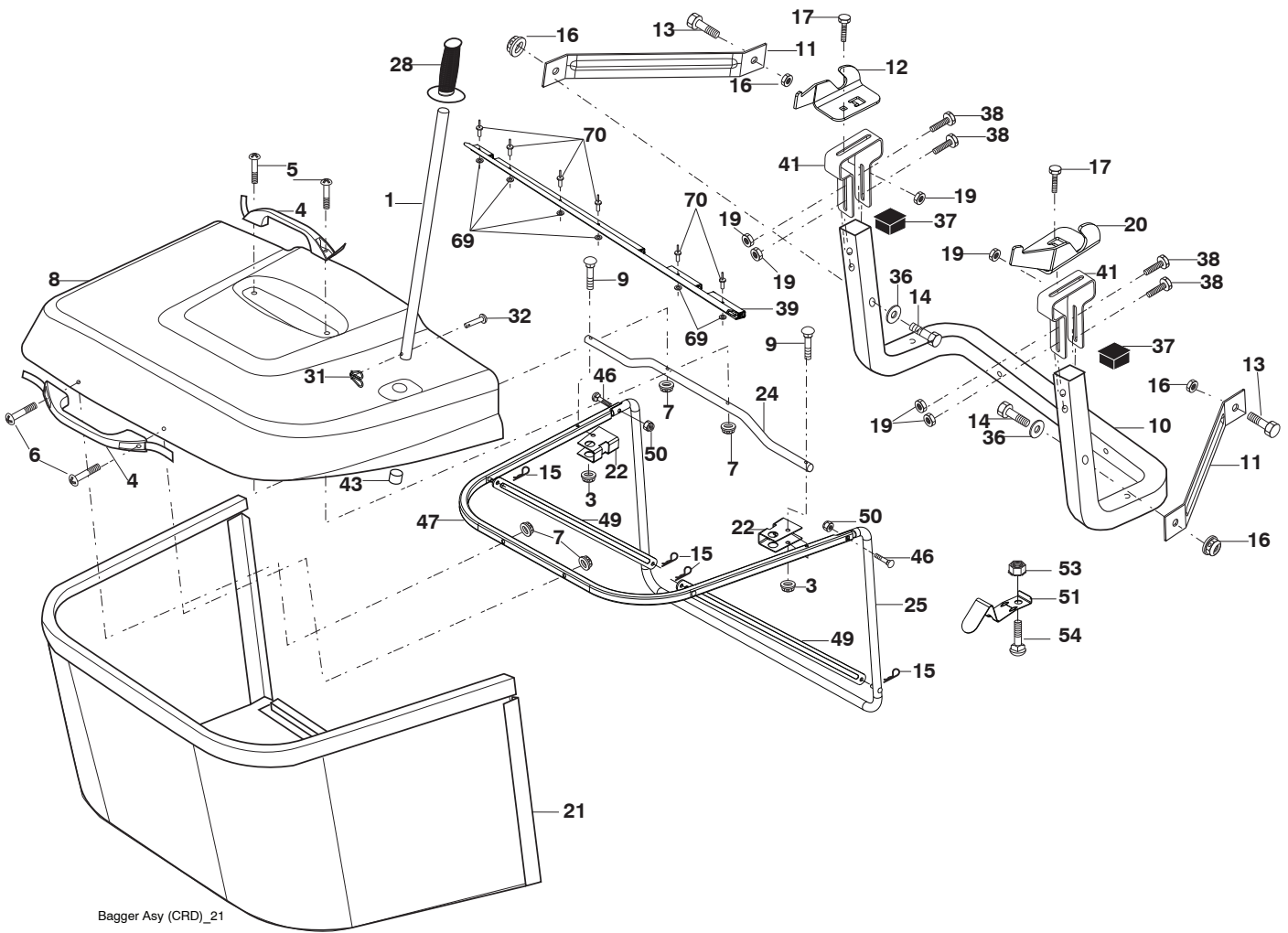
| KEY NO. | PART NO. | DESCRIPTION |
|---------|--------------|----------------------------------|
| 1 | 532 18 87-13 | Seat |
| 2 | 532 14 05-51 | Bracket Pnt Pivot Seat (blk.) |
| 3 | 871 11 06-16 | Bolt Fin Hex 3/8-16 unc x 1 |
| 4 | 819 13 16-10 | Washer Flat 13/32 x 1 x 10 Ga. |
| 5 | 532 14 50-06 | Clip Push In Hinged |
| 6 | 873 80 06-00 | Nut Lock Hex 3/8-16 unc |
| 7 | 532 12 41-81 | Spring Seat Cprsn. 2 250 Blk. Zi |
| 8 | 817 00 06-16 | Screw 3/8-16 x 1-1/2 |
| 9 | 819 13 16-14 | Washer 13/32 x 1 x 14 Ga. |
| 10 | 532 19 55-30 | Pan Pnt. Seat (blk.) |
| 11 | 532 16 63-69 | Knob Seat |
| 12 | 532 17 46-48 | Bracket Pnt. Mounting Switch |

| KEY NO. | PART NO. | DESCRIPTION |
|---------|--------------|------------------------------------|
| 13 | 532 12 12-48 | Bushing Snap Blk. Nyl. 50 Id |
| 14 | 872 05 04-12 | Bolt Rdhd. Sht. Nk. 1/4-20 x 1-1/2 |
| 15 | 532 13 43-00 | Spacer Split |
| 16 | 532 12 12-50 | Spring Cprsn. Plate SW 1.3 10 Ga. |
| 17 | 532 12 39-76 | Nut Lock 1/4 Lge. Flg. Gr. 5 Zinc |
| 21 | 532 17 18-52 | Bolt Shoulder 5/16-18 unc-2A |
| 22 | 873 80 05-00 | Nut Hex Lock w/Ins. 5/16-18 |
| 24 | 819 17 19-12 | Washer 17/32 x 1-3/16 x 12 Ga. |
| 25 | 532 12 70-18 | Bolt Shoulder 5/16-18 x 62 |

NOTE: All component dimensions given in U.S. inches.
1 inch = 25.4 mm

REPAIR PARTS

TRACTOR- -MODEL NO. LZ12597RB (96061029703), PRODUCT NO. 960 61 02-97
BAGGER



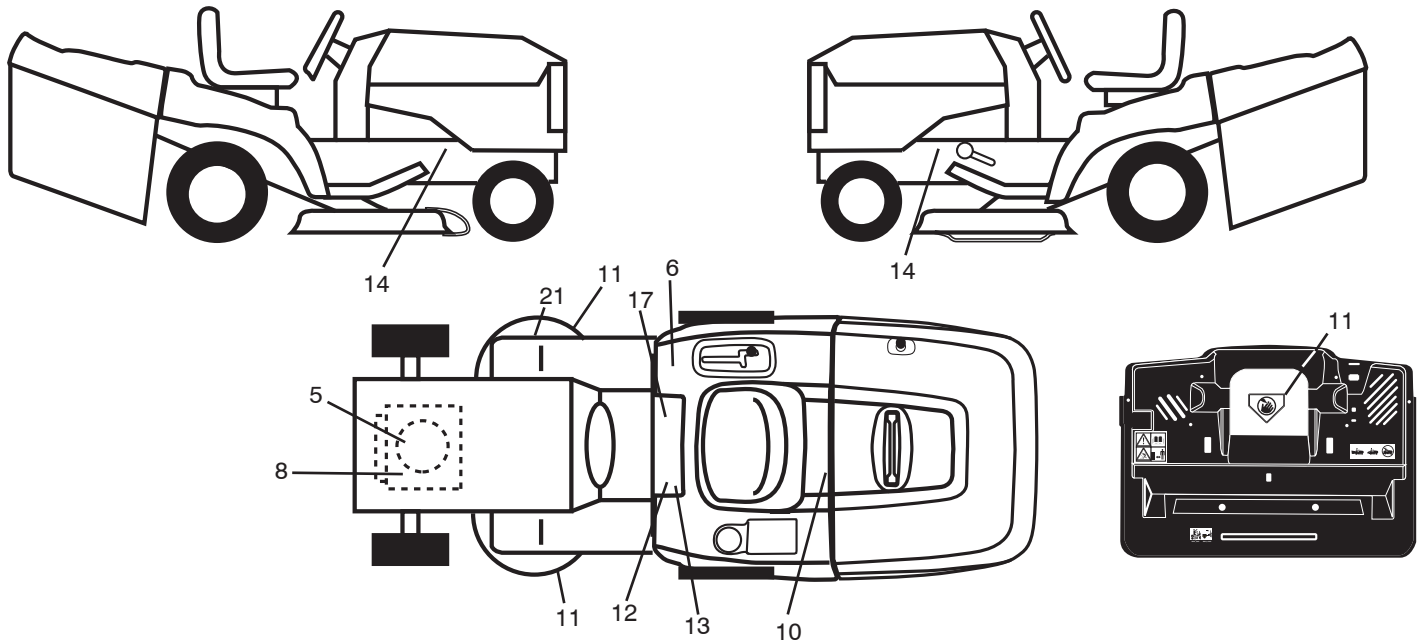
| KEY NO. | PART NO. | DESCRIPTION |
|---------|--------------|--------------------------------------|
| 1 | 532 42 86-10 | Tube Handle Bagger CRD |
| 3 | 532 12 39-76 | Nut Lock 1/4 Lge. Fig. Gr. 5 Zinc |
| 4 | 532 16 99-16 | Handle Bagger w/Lvrs. Gr. 5 Zinc |
| 5 | 874 98 10-24 | Screw Pan Head #10-24 x 1.50 Blk. |
| 6 | 874 98 10-32 | Screw Pan Head |
| 7 | 873 40 10-00 | Nut Wiz Lock Hex Serr/Hd. #10-24 |
| 8 | 532 44 15-36 | Cover Bagger Steel |
| 9 | 872 14 04-18 | Bolt Carriage 1/4-20 x 2.25d x Gr. 5 |
| 10 | 532 18 12-82 | Tube Support Bagger CRD |
| 11 | 532 16 57-19 | Bracket Support Upper Bag CRD |
| 12 | 532 18 88-48 | Bracket Pivot LH |
| 13 | 874 76 06-12 | Bolt Hex 3/8-16 unc x 3/4 |
| 14 | 874 52 06-36 | Bolt Fin Hex 3/8-16 x 2-1/4 Gr. 5 |
| 15 | 532 12 46-70 | Retainer Spring |
| 16 | 873 90 06-00 | Nut Latch Fig. 3/8-16 unc |
| 17 | 872 14 05-06 | Bolt Rdhd. Sht. Sqnk. 5/16-18uncx3/4 |
| 19 | 873 90 05-00 | Nut Lock Hex Flange 5/16-18 |
| 20 | 532 18 88-47 | Bracket Pivot RH |
| 21 | 532 40 61-80 | Bag Asm. CRD |
| 22 | 532 42 82-36 | Bracket Side Bagger CRD |
| 24 | 532 16 57-83 | Tube Pivot Bagger CRD |
| 25 | 532 19 37-05 | Tube Front Bagger CRD |

| KEY NO. | PART NO. | DESCRIPTION |
|---------|--------------|-------------------------------------|
| 28 | 532 16 57-87 | Grip Handle Black |
| 31 | 532 16 94-84 | Retainer Clip |
| 32 | 532 12 68-75 | Rivet Rd. Hd. Drilled 3/8 Dia. |
| 36 | 819 13 20-12 | Washer 13/32 x 1-1/4 x 12 Ga. |
| 37 | 532 44 48-48 | Plug Support Bagger CRD |
| 38 | 872 01 05-20 | Bolt 5/16-18 x 2-1/2 |
| 39 | 532 41 62-57 | Seal Trim 37" |
| 41 | 532 43 27-55 | Bracket Bagger CRD |
| 43 | 532 17 40-83 | Plug Tubing End |
| 46 | 872 11 05-10 | Bolt Carr. 5/16-18 x 1-1/4 Gr. 5 |
| 47 | 532 19 37-04 | Tube Upper Bagger |
| 49 | 532 19 33-05 | Spreader Bar Bagger |
| 50 | 873 80 05-00 | Nut Lock Hex W/Insert 5/16-18 unc |
| 51 | 532 19 99-03 | Latch Spring |
| 53 | 873 51 04-00 | Nut Keps Hex 1/4-20 unc |
| 54 | 872 14 04-06 | Bolt Rdhd. Sqnk. 1/4-20 x 3/4 Gr. 5 |
| 69 | 532 43 56-11 | Washer .125 |
| 70 | 532 43 56-03 | Rivet Pop .125 x .750 |

NOTE: All component dimensions given in U.S. inches
1 inch = 25.4 mm

REPAIR PARTS

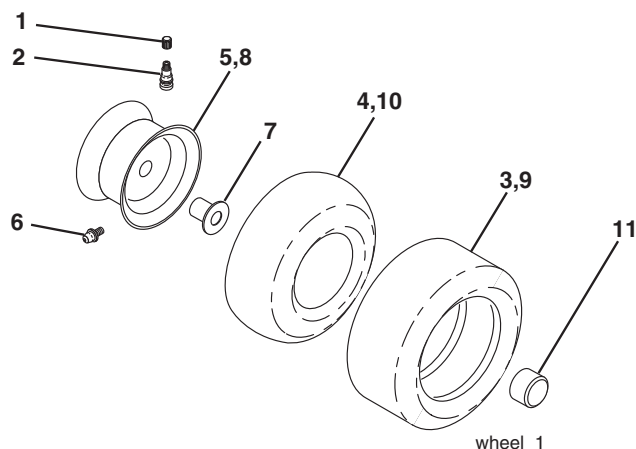
TRACTOR- -MODEL NO. LZ12597RB (96061029703), PRODUCT NO. 960 61 02-97
DECALS



| KEY NO. | PART NO. | DESCRIPTION |
|---------|--------------|-------------------------------------|
| 5 | 581 57 97-01 | Decal, Engine Warning |
| 6 | 581 72 41-01 | Decal, Certification |
| 8 | 532 43 74-10 | Decal, Engine HP |
| 10 | 532 14 50-05 | Decal, Bat. Dan./Poi. P/L Sym. Wpn. |
| 11 | 532 18 21-66 | Decal, Mower Cut Finger Symbol |
| 12 | 581 72 40-01 | Decal, Brake/Clutch |
| 13 | 581 57 81-01 | Decal, Warning Syms. CE |
| 14 | 581 57 96-01 | Decal, Hot Muffler |

| KEY NO. | PART NO. | DESCRIPTION |
|---------|--------------|--------------------------|
| 17 | 581 57 80-01 | Decal, Read Manual |
| 21 | 581 58 00-05 | Decal, Deck Sch. |
| -- | 532 13 83-11 | Decal, Lift Handle |
| -- | 532 18 10-91 | Pad Footrest LH |
| -- | 532 18 10-90 | Pad Footrest RH |
| -- | 583 85 54-40 | Manual Operator's (Euro) |
| -- | 583 85 54-26 | Manual Parts |

WHEELS & TIRES



| KEY NO. | PART NO. | DESCRIPTION |
|---------|--------------|------------------------------------|
| 1 | 532 05 91-92 | Cap Valve Tire |
| 2 | 532 06 51-39 | Stem Valve |
| 3 | 532 10 62-22 | Tire F Ts 15 x 6 0 - 6 |
| 4 | 532 05 99-04 | Tube Inner Front #35060 |
| 5 | 532 18 33-37 | Rim Asm. 6" Front |
| 6 | 532 12 49-57 | Fitting Grease |
| 7 | 532 12 49-59 | Bearing Flange |
| 8 | 532 18 33-38 | Rim Asm. 8" Rear |
| 9 | 532 42 05-31 | Tire R Ts 18 x 9.5-8 Turf Saver LT |
| 10 | 532 12 49-26 | Tube Rear 9 5 x 8 |
| 11 | 532 17 50-39 | Cap Axle Blk. 1 50 x 1 00 |
| -- | 532 14 43-34 | Sealant, Tire (10 oz. tube) |

NOTE: All component dimensions given in U.S. inches
1 inch = 25.4 mm

