

REPAIR PARTS MANUAL
MODEL NO. D26KH54 (96041018403)
GARDEN TRACTOR

DIXON®

HOW TO USE THIS MANUAL

This manual is designed to provide the customer with a means to identify the parts on his/her tractor when ordering repair parts. The illustrations may or may not represent the actual assemblies; therefore, it is not recommended to use this manual as a guide to assemble or disassemble the tractor. Some hardware and parts are drawn larger in order to more readily identify them.

Each tractor has its own model number.

The model number for your tractor can be found on the fender under the seat.

When ordering parts, always give the following information:

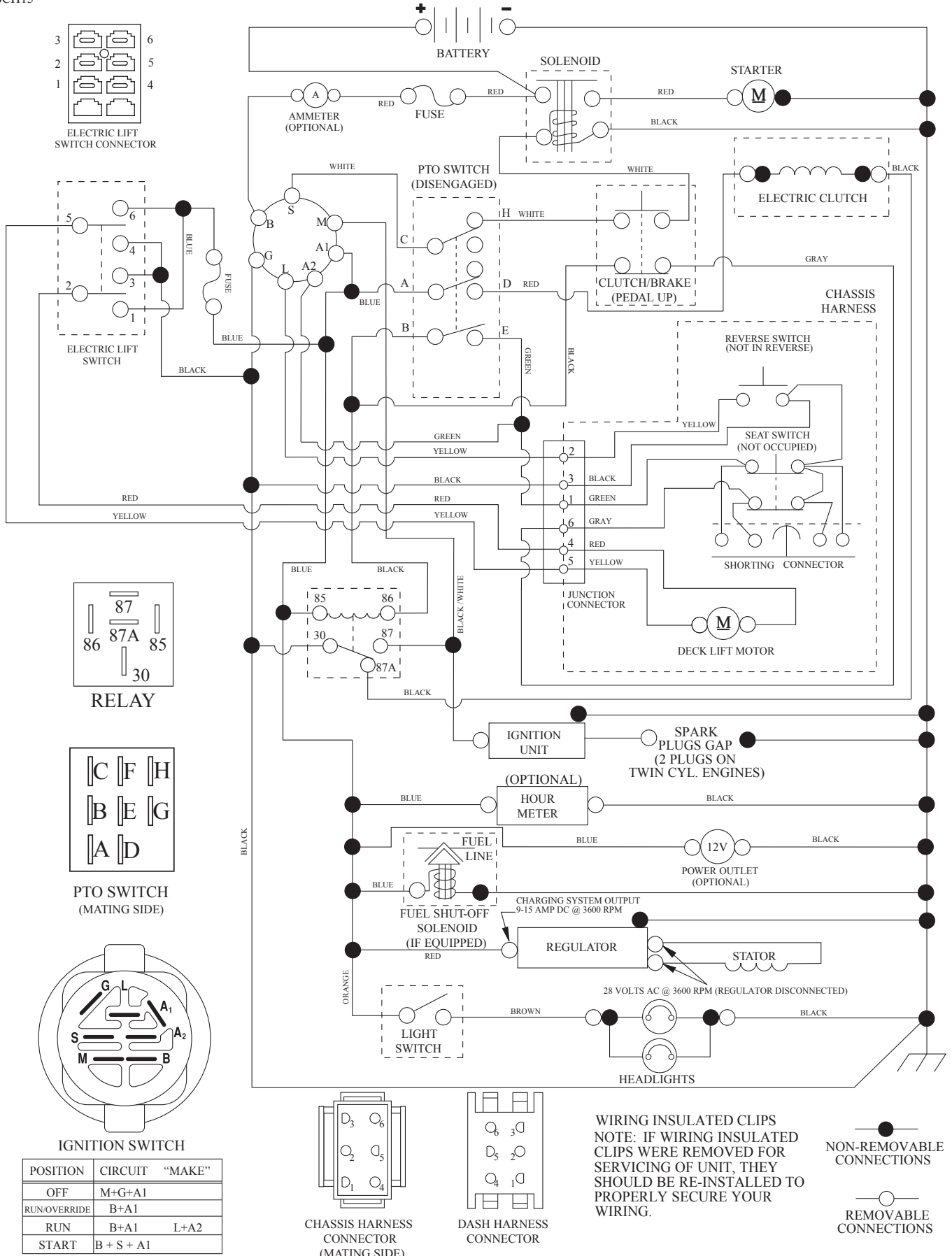
- Product - "Tractor"
- MODEL NUMBER - "D26KH54 (96041018403)"
- Part Number
- Part Description

TABLE OF CONTENTS

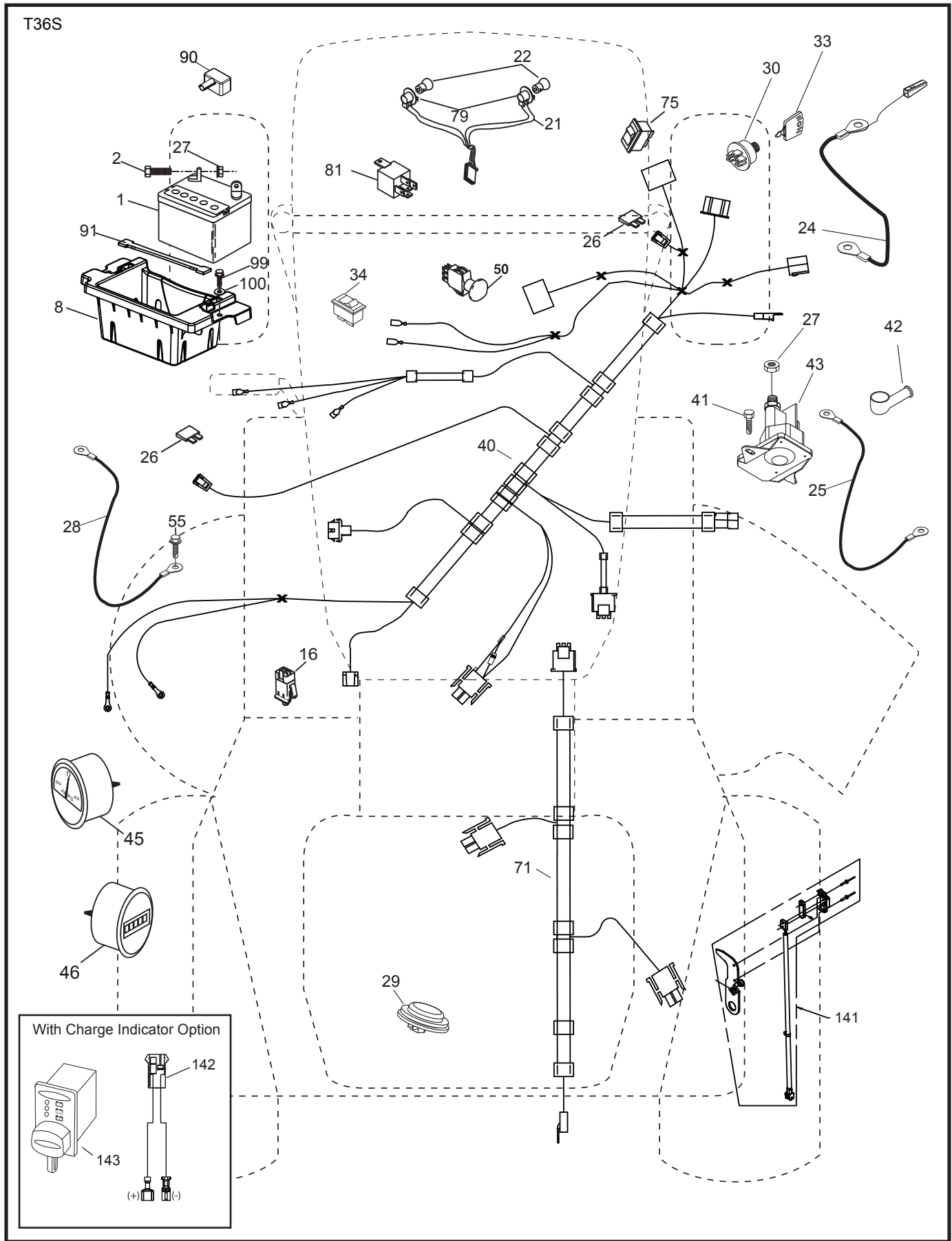
SCHEMATIC	3
ELECTRICAL.....	4-5
CHASSIS	6-7
DRIVE.....	8-9
ENGINE.....	10-11
STEERING	12-13
MOWER DECK	14-15
MOWER LIFT.....	16
SEAT	17
DECALS.....	18
WARRANTY.....	BACK PAGE

TRACTOR - - MODEL NO. D26KH54 (96041018403), PRODUCT NO. 960 41 01-84 SCHEMATIC

SCH15



**TRACTOR - - MODEL NO. D26KH54 (96041018403), PRODUCT NO. 960 41 01-84
ELECTRICAL**



**TRACTOR - - MODEL NO. D26KH54 (96041018403), PRODUCT NO. 960 41 01-84
ELECTRICAL**

KEY NO.	PART NO.	DESCRIPTION
1	532 16 34-65	Battery
2	874 76 04-12	Bolt Hex Head 1/4-20 x 3/4
8	532 18 64-91	Box Battery
16	532 17 61-38	Switch Interlock Push-In
21	532 17 56-88	Harness Socket Light w/4152J
22	532 00 41-52	Bulb Light
24	532 40 02-53	Cable Battery
25	532 41 28-95	Cable Start Red
26	532 17 51-58	Fuse
27	873 51 04-00	Nut Keps Hex 1/4-20 unc
28	532 14 54-91	Cable, Ground
29	532 40 15-45	Switch, Seat
30	532 19 33-50	Switch, Ignition
33	532 41 19-33	Key/Chain
34	532 11 07-12	Switch Light/Reset
40	532 41 95-84	Harness Ign. Dash
41	817 72 04-08	Screw Thd Cut 1/4-20 x 1/2
42	532 13 15-63	Cover, Terminal
43	532 19 25-07	Solenoid
45	532 43 46-34	Ammeter Studmount
46	532 43 46-35	Gauge Hourmeter
50	532 17 46-51	Switch, PTO
55	817 06 05-12	Screw 5/16-18 x 3/4
71	532 41 95-83	Harness Ignition
75	532 41 72-37	Switch Rocker Decklift
79	532 17 52-42	Bulbholder Asm. Incandescent
81	532 40 96-15	Relay Harness
90	532 43 53-95	Cover Terminal Battery
91	532 19 02-70	Strap Battery Mount Front
99	817 67 04-12	Screw Hexwsh Thdrol 1/4-20 x 3/4
100	819 09 14-16	Washer 9/32 x 7/8 x 16 Ga.
141	532 42 12-25	Kit G700 ROS

NOTE: All component dimensions given in U.S. inches
1 inch = 25.4 mm

**TRACTOR - - MODEL NO. D26KH54 (96041018403), PRODUCT NO. 960 41 01-84
CHASSIS**

KEY NO.	PART NO.	DESCRIPTION
5	532 43 63-68	Dash
14	532 43 63-64	Hood
15	532 16 18-41	Lens LH
18	532 18 71-14	Grille
25	532 16 18-42	Lens RH
34	580 91 08-01	Plate Engine
36	817 06 05-12	Screw 5/16-18 x 3/4
37	532 43 63-69	Fender
58	532 19 43-14	Bracket Fender
61	532 43 46-04	Lightbox Asm.
68	817 49 05-08	Screw Thdrol 5/16-18 x 1/2
122	532 19 25-12	Screw Wshd Hex 10-32 x 5/8
125	581 68 48-01	Clip Fuel Line
130	532 41 63-58	Screw #10 x 0.750 BOS Thread
139	532 17 18-73	Bolt Shoulder 5/16-18
146	581 85 79-01	Bolt
148	532 16 46-55	Bumper Extrusion
150	532 19 03-09	Duct Heat Hood
152	532 19 95-35	Shield Browning/Debris
161	532 41 18-79	Console Fuel Window
162	532 14 24-32	Screw Hex Wsh Hi-Lo 1/4 x 1/2
165	532 19 43-30	Bracket Support Tank
175	532 19 32-36	Crossmember
176	532 40 07-76	Screw #10-24 x 5/8 Rnd Qudrx
177	532 19 52-27	Bushing Steering
178	532 19 56-51	Cargo Asm. Net
180	532 19 54-77	Chassis
181	532 40 47-96	Bushing Mtg. Fender Crgo.
182	532 19 25-51	Dash Lower
183	874 52 05-20	Bolt 5/16-18 x 1-1/4
189	817 00 05-12	Screw 5/16-18 x 3/4
194	873 90 05-00	Nut Lock Hex Flange 5/16-18
195	532 40 41-37	Plug Hole Dash Lower
196	532 43 50-15	Console Asm. Deck Lift
198	532 44 15-52	Indicator Deck Lift
199	532 41 93-51	Plate Deck Lift
205	532 18 71-11	Skirt Hood Stealth RH
206	532 18 71-12	Skirt Hood Stealth LH
222	532 13 77-29	Screw Thd Roll 1/4-20 x 5/8
228	532 19 51-61	Stud Fastener
235	532 40 61-29	Spacer Fender
236	873 93 05-00	Nut Center Lock 5/16-18 unc
278	532 19 63-94	Bracket Hood/Muff
300	532 42 17-74	Bracket Lift Electric
306	873 90 06-00	Nut Lock
--	532 43 72-16	Kit, Guard Assembly Brush

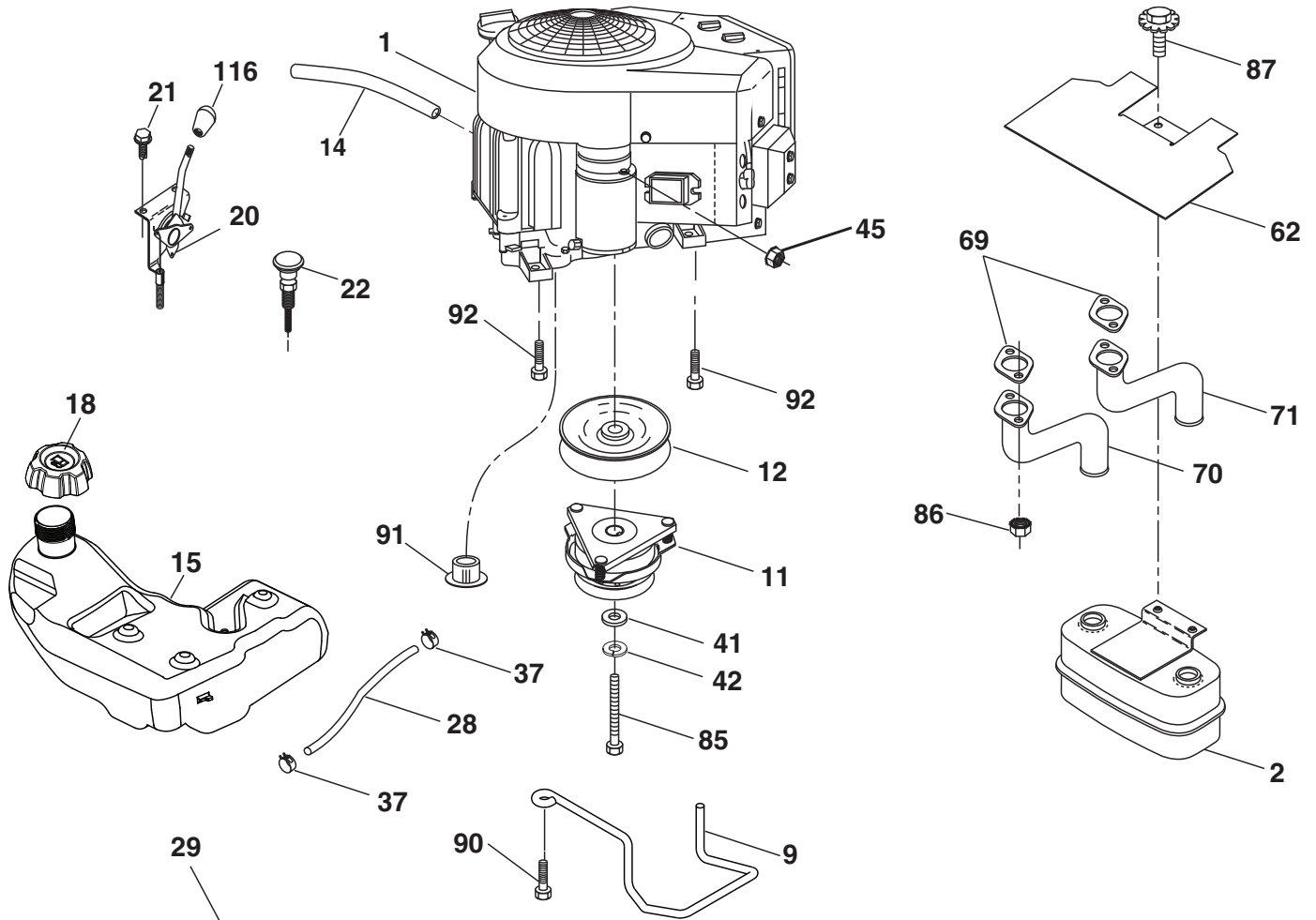
NOTE: All component dimensions given in U.S. inches
1 inch = 25.4 mm

TRACTOR - - MODEL NO. D26KH54 (96041018403), PRODUCT NO. 960 41 01-84 DRIVE

KEY NO.	PART NO.	DESCRIPTION	KEY NO.	PART NO.	DESCRIPTION
1	---	Transaxle, Hydro G7BCBB-1XDC-IECX (418183) (Order part from transaxle manufacturer.)	159	876 02 04-12	Pin Cotter 1/8 x 3/4
2	532 00 70-70	Key 1/4 x 2.5	160	532 16 94-84	Retainer Clip
3	532 00 75-63	Washer Thrust	161	532 10 57-09	Spring, Return, Clutch
7	532 19 98-37	Hub Asm. Wheel	163	532 41 81-85	Rod Pedal Control
9	532 14 00-80	Bolt Hub Wheel Rear	166	532 42 91-64	Nut Push .625
15	819 13 13-16	Washer 13/32 x 13/16 x 16 Ga.	167	532 40 52-57	Latch Brake Parking
17	532 19 72-96	Spring, Brake	184	532 44 16-36	Handle Parking Brake
26	532 19 96-79	Spring Return Cruise	186	532 19 43-21	Spacer Retainer
29	532 41 81-86	Rod, Brake	187	819 13 32-10	Washer
33	812 00 00-53	Ring E	188	532 19 43-23	Link Clutch Ground Drive
35	532 19 72-75	Rod, Brake, Park	189	532 40 75-04	Bellcrank Ground Drive
42	532 12 48-72	Cover, Foot Pedal	190	532 40 75-05	Keeper Bellcrank Ground Drive
48	872 11 06-12	Bolt 3/8-16 x 1-1/2 Gr. 5	196	817 00 06-16	Screw 3/8-16 x 1
49	872 11 06-14	Bolt	197	532 19 97-69	Link Clutch Anti-Rotation
50	532 19 43-27	Pulley Idler Flat	203	819 11 11-16	Washer 11/32 x 11/16 x 16 Ga.
51	873 90 06-00	Lock Nut 3/8-16	206	532 44 85-96	Bracket Mount Latch Cruise
52	532 19 43-26	Idler V-Groove	207	532 19 78-68	Latch Control Cruise
56	532 14 02-94	V-Belt, Drive	208	532 19 78-69	Gear Sector Control Cruise
64	532 19 78-65	Shaft Asm. Pedal Brake Control	209	532 19 94-66	Rod Control Cruise
69	532 12 38-00	Washer 1-1/32 x 1-5/8 x 16 Ga.	210	532 19 78-60	Rocker Asm. Pedal Control
73	874 49 05-48	Bolt Hex 5/16-18 x 3 Gr. 5	211	532 12 01-83	Bearing Nylon
74	532 14 24-32	Screw 1/4 x 1/2	213	532 41 23-24	Knob Control Cruise
80	532 41 81-84	Strap Torque	214	532 42 12-63	Pedal Forward
92	874 76 05-20	Bolt Fin Hex 5/16-18 unc x 1.25	215	532 40 17-23	Pedal Reverse
99	532 41 81-88	Rod Bypass	221	532 40 31-87	Retainer Spring Clip Handle
114	873 80 05-00	Nut 5/16-18	222	879 21 20-10	Washer 21/32 x 1-1/4 x 10 Ga.
116	873 90 05-00	Nut Lock Hex Flange 5/16-18	224	532 41 22-98	Console Toolbar
121	532 17 56-11	Bracket Strap Torque	225	532 41 81-87	Keeper Belt Trans.
122	872 01 05-20	Bolt 5/16-18 x 2.50	306	876 02 04-16	Pin Cotter 1/8 x 1
125	817 00 05-12	Screw 5/16-18 x 3/4			
145	532 16 31-68	Washer Axle Flange			
153	532 12 47-88	Retainer Spring			

NOTE: All component dimensions given in U.S. inches
1 inch = 25.4 mm

**TRACTOR - - MODEL NO. D26KH54 (96041018403), PRODUCT NO. 960 41 01-84
ENGINE**



SPARK ARRESTER KIT

engine-tex_Kawa-2cyl_6

**TRACTOR - - MODEL NO. D26KH54 (96041018403), PRODUCT NO. 960 41 01-84
ENGINE**

KEY NO.	PART NO.	DESCRIPTION
1	— — — — —	Engine Kawa Model No. FR730V-DS04 (445363) (Order part from engine manufacturer.)
2	532 14 97-23	Muffler
9	532 40 86-67	Keeper Asm. Belt Engine
11	532 17 93-35	Clutch Electric
12	532 19 43-43	Pulley Engine
14	532 14 84-56	Tube Drain Oil Easy
15	532 19 34-99	Tank Fuel 4.0
18	532 43 02-18	Cap Asm
20	532 42 43-41	Control Throttle
21	532 41 63-58	Screw #10 x 0.750 BOS Thread
22	532 19 15-96	Control Choke
28	532 14 21-58	Fuel Line
29	532 13 71-80	Spark Arrester Kit
37	532 12 34-87	Clamp Hose
41	532 12 61-97	Washer 1-1/2 OD x 15/32 ID x .250
42	810 04 07-00	Washer Lock 7/16
45	873 51 04-00	Nut Keps Hex 1/4-20 unc
62	532 43 40-17	Shield Heat Muffler
69	532 17 81-51	Gasket
70	532 42 47-65	Tube Exhaust LH
71	532 42 47-66	Tube Exhaust RH
85	532 17 99-53	Bolt Hex 7/16-20 x 3.75 Gr. 5
86	532 18 43-62	Nut Hex Flange Toplock
87	532 19 82-39	Bolt 5/16-18 unc x 1 w/Sems
90	817 00 06-16	Screw 3/8-16 x 1
91	532 18 74-95	Bushing
92	817 12 06-16	Screw 3/8-16 x 1
116	539 13 26-24	Knob Soft Touch

NOTE: All component dimensions given in U.S. inches
1 inch = 25.4 mm

**TRACTOR - - MODEL NO. D26KH54 (96041018403), PRODUCT NO. 960 41 01-84
STEERING ASSEMBLY**

KEY NO.	PART NO.	DESCRIPTION
1	532 42 41-46	Wheel, Steering
2	532 19 59-68	Axle Asm., Front
4	532 40 30-89	Spindle Asm., LH
5	532 40 30-90	Spindle Asm., RH
6	532 12 49-31	Bearing, Race Thrust Harden
7	532 12 17-48	Washer 25/32 x 1-5/8 x 16 Ga.
8	812 00 00-29	Ring, Clip #T5304-75
9	532 12 12-32	Cap, Spindle
13	532 12 17-49	Washer 25/32 x 1-1/4 x 16 Ga.
14	810 04 06-00	Washer, Lock Hvy Hlcl Spr 3/8
15	873 54 06-00	Nut, Crown Lock 3/8-24 unf
16	532 19 47-46	Shaft Steering
19	532 19 47-29	Plate Steering
20	532 41 14-25	Boot, Steering
21	532 18 67-37	Adapter, Wheel Steering
22	532 42 05-37	Steering Supt. Lower
26	532 42 46-91	Insert, Wheel Steering
28	817 00 06-12	Screw 3/8-16 x 3/4
35	532 19 47-32	Gear, Sector Plate
45	819 11 38-12	Washer 11/32 10 x 2 3/8 00 x 12 Ga.
51	873 94 08-00	Nut Hex Jam Toplock 1/2-20 unf
53	532 18 89-67	Washer Hardened .793 x 1.637 x .060
57	532 19 72-46	Bracket Upstop
58	532 19 47-47	Bolt Shoulder Sector Pivot CFM
59	532 19 47-48	Washer Thrust Sector Steering
60	873 97 10-00	Nut Flange Lock 5/8-11
61	532 19 47-40	Draglink, LH
62	532 19 47-41	Draglink, RH
63	817 00 05-12	Screw 5/16-18 x 3/4
64	532 19 98-49	Retainer Clip Spring Steering
66	871 02 07-48	Bolt Hex Fghd 7/16-14 x 3 Serr
67	532 19 47-37	Bushing PM Front Axle
68	873 90 07-00	Nut Lock Flange 7/16-14 Gr. 5
69	532 19 91-62	Washer 1.5 x .505 x .118
70	532 19 61-97	Bracket Deck Susp. Front
122	532 44 49-62	Cap Gear Sector

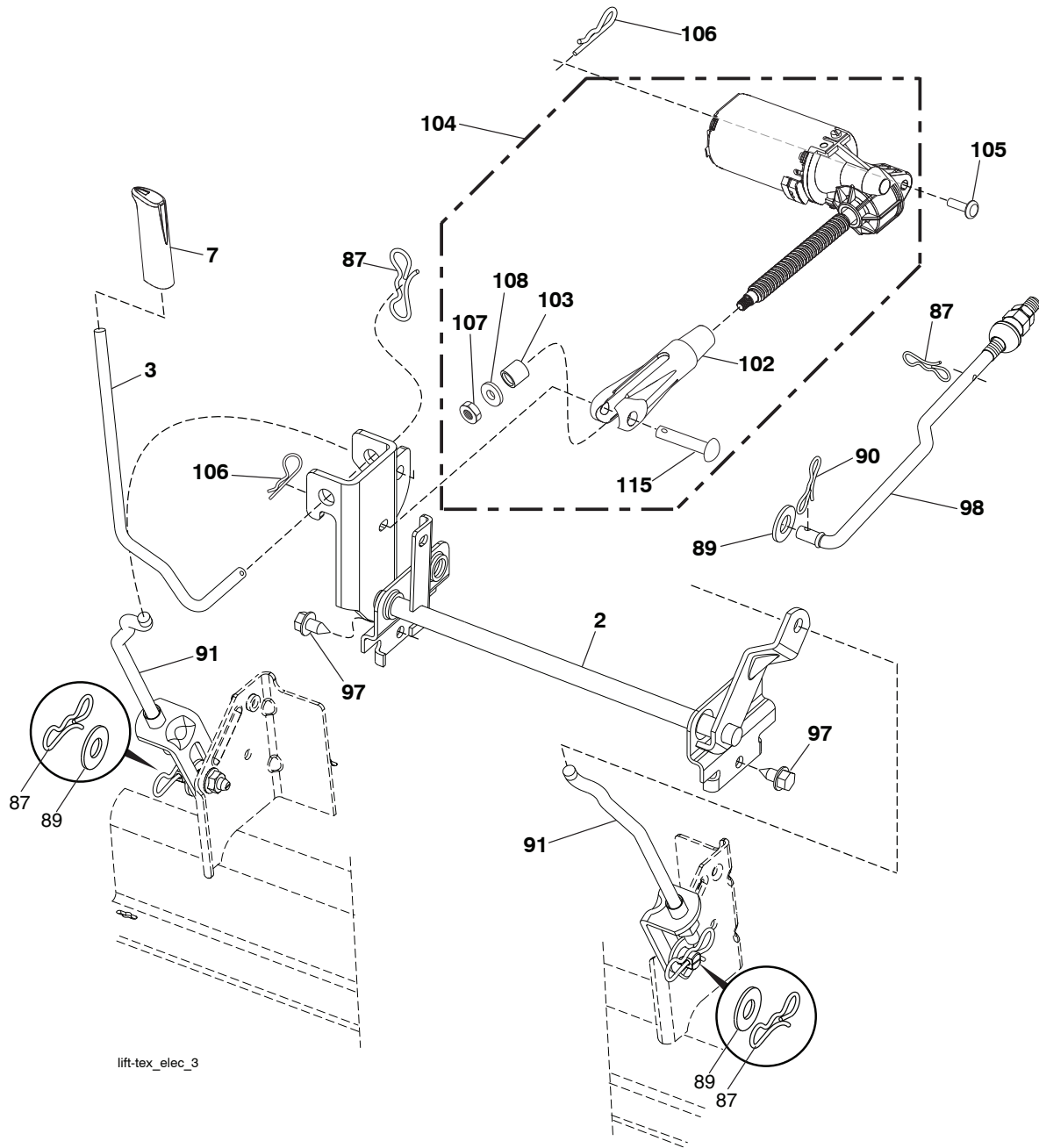
NOTE: All component dimensions given in U.S. inches
1 inch = 25.4 mm

**TRACTOR - - MODEL NO. D26KH54 (96041018403), PRODUCT NO. 960 41 01-84
MOWER DECK**

KEY NO.	PART NO.	DESCRIPTION	KEY NO.	PART NO.	DESCRIPTION
1	532 43 63-76	Deck Weldment Mower	59	532 18 73-44	Baffle Left
6	532 19 60-66	Cover Mandrel LH	60	532 18 76-07	Baffle Center
7	532 19 71-81	Cover Mandrel RH	97	532 17 85-15	Washer Hardened
8	532 19 30-03	Bolt/Washer Asm. 7/16-20 unf	98	532 19 61-05	Spring Drive
11	532 18 72-56	Blade Bagging	113	872 11 05-08	Bolt Rdhd Sqnk 5/16-18 x 3/4
12	532 40 03-37	Rod Anti-Sway	114	532 18 75-56	Rod Tension Relief
13	532 18 72-91	Shaft Asm. w/Lower Bearing	116	532 19 34-06	Bolt, Shoulder
14	532 18 72-81	Housing, Mandrel	117	532 17 48-73	Gauge Wheel
15	532 11 04-85	Bearing, Ball, Mandrel	120	819 13 20-12	Washer 13/32 x 1-1/4 x 12 Ga.
16	819 13 13-12	Washer 13/32 x 13/16 x 12 Ga.	122	532 18 75-57	Bushing Tension Relief
18	872 14 05-05	Bolt Rdhd Sqnk 5/16-18 x	184	873 90 05-00	Nut Lock Hex Flange 5/16-18
19	532 19 42-08	Pin Cotter 5/16 Bow Tie Lock	185	873 90 07-00	Nut Lock Flange 7/16-14 Gr. 5
21	873 68 05-00	Nut, Crownlock 5/16-18	187	532 19 51-61	Stud Fastener w/"D" Anti-Rotation
24	532 10 53-04	Cap Sleeve	189	532 19 51-85	Arm Susp. Mower Rear
25	532 17 81-02	Spring, Torsion	190	532 19 65-39	Bolt Shoulder
26	532 11 04-52	Nut, Push	192	532 19 84-68	Keeper Belt Idler
27	532 18 89-38	Deflector Shield	194	874 49 07-36	Bolt Hex Washer Head
29	532 13 14-91	Rod, Hinge	196	872 14 06-20	Bolt Rdhd Sqnk 3/8-16 x 2-1/2 Gr. 5
30	532 17 39-84	Screw, Thdroll Washer Head	241	532 15 29-27	Screw TT #10-32.5 .3/8 Flange
31	532 18 76-90	Spacer Mandrel	242	532 41 55-98	Port Washout
32	532 15 35-35	Pulley, Mandrel	--	532 18 72-92	Mandrel Assembly (Includes housing (key #14), shaft assembly (key #13), and bearing only (key #15) and nut (key #33)- pulley/washer and blade bolt/washers not included)
33	532 40 02-34	Nut, Flg. Top Lock	--	532 43 51-31	Replacement Mower, Complete
34	873 68 06-00	Nut Crownlock 3/8-16 unc			
39	532 19 73-80	Pulley, Idler 4.50 RAW			
43	532 19 60-65	Arm, Idler			
46	532 13 77-29	Screw, Thdroll. 1/4-20 x 5/8			
47	532 19 61-03	V-Belt, Mower			
49	873 90 06-00	Nut, Lock Flg. 3/8-16 unc			
50	872 11 06-16	Bolt RDHD SQNK 3/8-16 unc x 2			
52	532 19 73-79	Pulley Idler 4.50 Hub Special			
58	532 18 73-42	Baffle Right			

NOTE: All component dimensions given in U.S. inches
1 inch = 25.4 mm

**TRACTOR - - MODEL NO. D26KH54 (96041018403), PRODUCT NO. 960 41 01-84
MOWER LIFT**



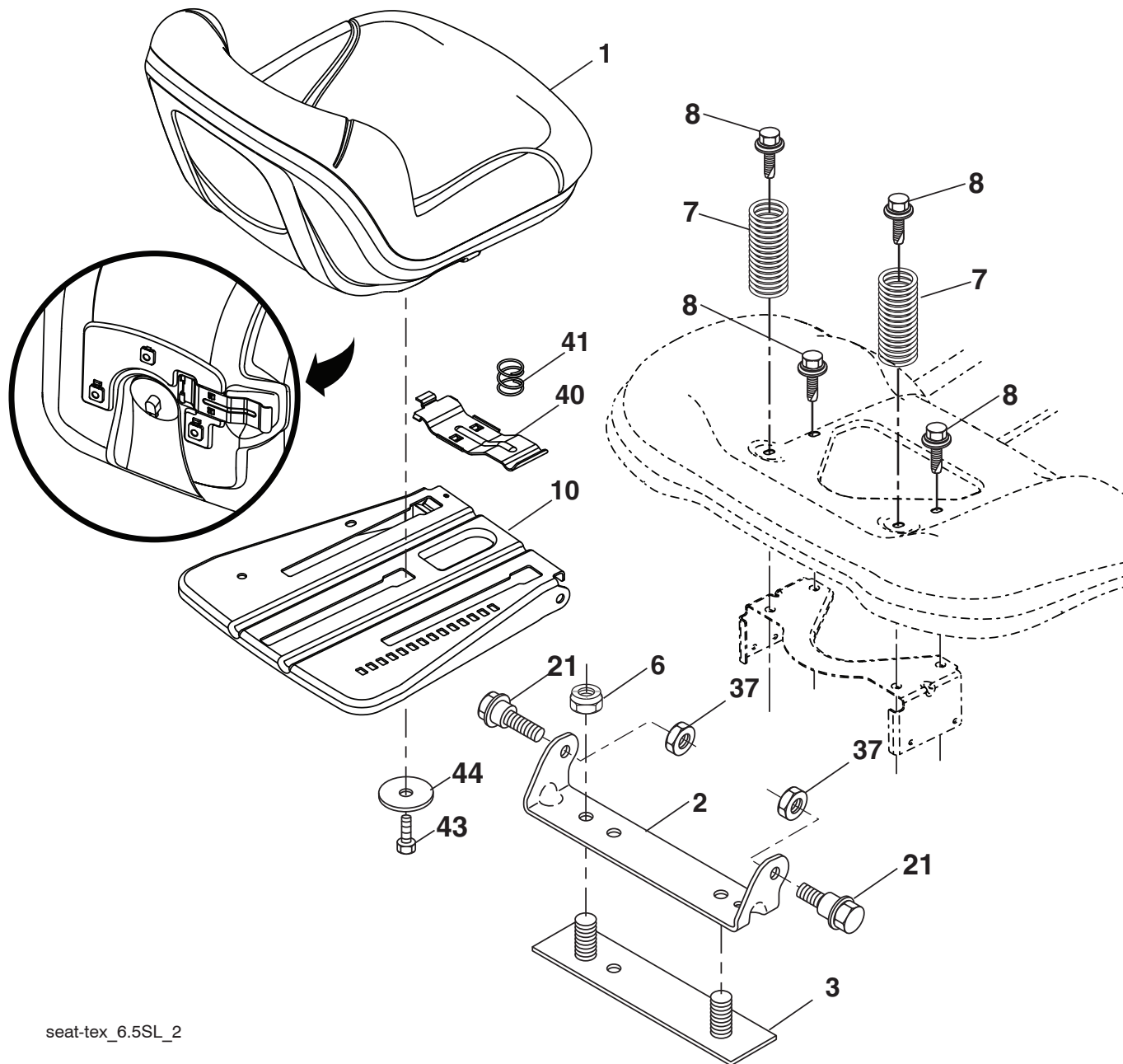
lift-tex_elec_3

KEY PART NO.	PART NO.	DESCRIPTION
2	532 42 20-27	Shaft Asm., Lift
3	532 41 94-96	Rod Indicator Lift Electric
7	532 43 63-71	Cap Indicator Lift Electric
87	532 19 42-09	Pin Cotter 7/16 Bow Tie Lock
89	819 19 19-12	Washer Clear Zinc
90	532 19 42-08	Pin Cotter 5/16 Bow Tie Lock
91	532 40 34-07	Link Asm. Lift Rear
97	817 00 06-12	Screw 3/8-16 x .75
98	532 19 52-64	Link Lift Susp. Front Mower
102	532 41 92-78	Clevis Motor Electric

KEY PART NO.	PART NO.	DESCRIPTION
103	532 42 01-90	Spacer Tubular
104	532 42 17-69	Actuator Decklift
105	532 12 68-75	Rivet Drilled 1/4 Dia.
106	532 12 47-88	Retainer Spring
107	873 72 04-00	Nut
108	819 09 10-16	Washer 9/32 x 5/8 x 16 Ga.
115	532 42 17-34	Pin Clevis .375 x 2.125

NOTE: All component dimensions given in U.S. inches
1 inch = 25.4 mm

**TRACTOR - - MODEL NO. D26KH54 (96041018403), PRODUCT NO. 960 41 01-84
SEAT ASSEMBLY**



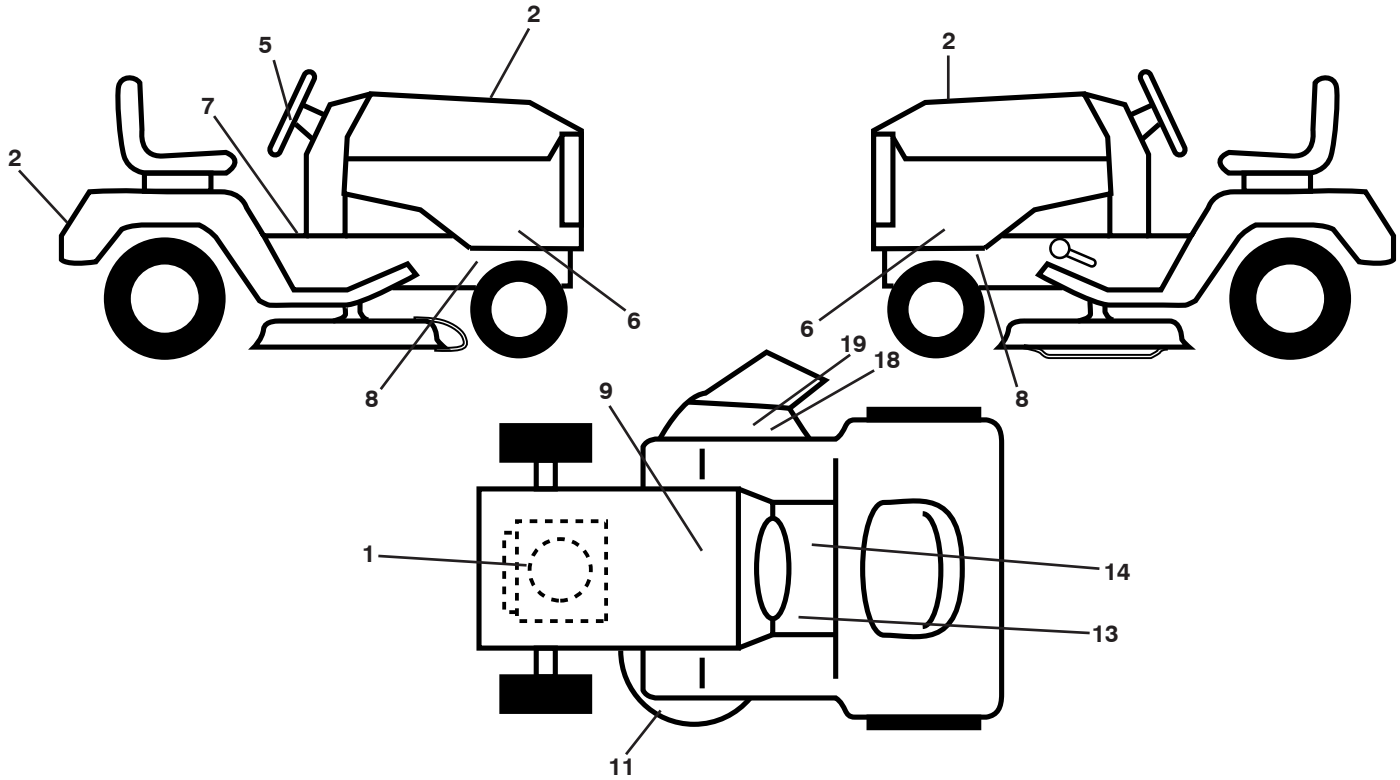
seat-tex_6.5SL_2

KEY NO.	PART NO.	DESCRIPTION
1	532 43 14-50	Seat
2	532 18 01-66	Bracket Pivot Fender
3	532 14 06-75	Strap, Asm Fender
6	873 80 06-00	Nut, Lock w/Ins. 3/8-16 unc
7	532 12 41-81	Spring, Seat Cprsn
8	532 17 18-77	Bolt 5/16-18 unc x 3/4 w/Sems
10	532 19 69-77	Pan, Seat
21	532 17 18-52	Bolt, Shoulder 5/16-18

KEY NO.	PART NO.	DESCRIPTION
37	873 80 05-00	Nut, Lock 5/16-18 unc
40	532 19 76-61	Handle Slide Seat
41	532 19 82-00	Spring Latch Seat
43	874 76 06-12	Bolt Fin Hex 3/8-16 unc x 3/4
44	819 13 38-12	Washer 13/32 x 2-3/8 x 12 Ga.

NOTE: All component dimensions given in U.S. inches
1 inch = 25.4 mm

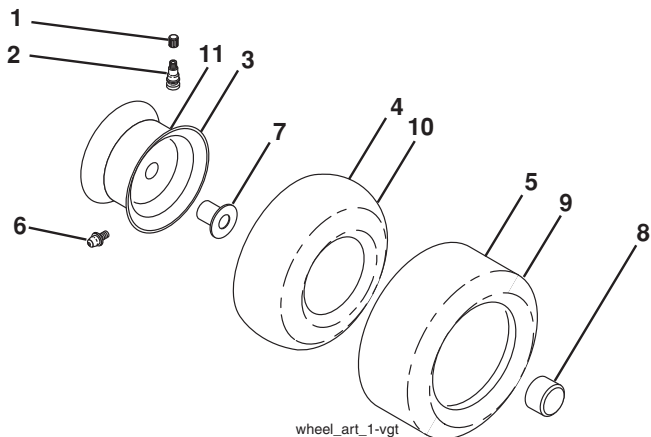
**TRACTOR - - MODEL NO. D26KH54 (96041018403), PRODUCT NO. 960 41 01-84
DECALS**



KEY PART NO.	NO.	DESCRIPTION
1	581 57 97-01	Decal, Warning Engine Symbols
2	521 97 17-01	Decal, Logo
5	532 43 45-78	Decal, Strg Whl
6	532 44 59-45	Decal, Side Panel
7	581 57 81-01	Decal, Warning Symbols
9	532 14 50-05	Decal, Battery Dnge/Poi
8	581 57 96-01	Decal, Chassis Hot Muffler
11	581 58 00-02	Decal, Mower Sch.
13	581 72 40-01	Decal, Brake/Clutch Symbol
14	581 57 80-01	Decal, Saddle Brake Parking

KEY PART NO.	NO.	DESCRIPTION
18	581 57 92-01	Decal, Warning Cutfinger
19	581 57 91-01	Decal, Cutfinger CE
--	581 72 46-01	Decal, Drawbar Load Limit
--	581 72 48-01	Decal, Bypass
--	532 41 22-79	Pad, Footrest, RH
--	532 41 19-03	Pad, Footrest, LH
--	585 22 99-28	Manual, Operators (English)
--	585 23 00-27	Manual, Parts

WHEELS AND TIRES



KEY PART NO.	NO.	DESCRIPTION
1	532 05 91-92	Cap, Valve, Tire
2	532 06 51-39	Stem, Valve
3	532 18 18-39	Rim Assembly, Front
4	532 00 81-34	Tube, Front (Service Item Only)
5	532 16 10-24	Tire, Front
6	532 12 49-57	Fitting, Grease (Front Wheel Only)
7	532 12 49-59	Bearing, Flange (Front Wheel Only)
8	532 17 50-39	Cap, Axle
9	532 18 25-26	Tire, Rear
10	532 00 71-54	Tube, Rear (Service Item Only)
11	532 14 45-10	Rim Assembly, Rear
--	532 14 43-34	Sealant, Tire (10 oz. Tube)

NOTE: All component dimensions given in U.S. inches
1 inch = 25.4 mm

SERVICE NOTES

LIMITED WARRANTY

The Manufacturer warrants to the original consumer purchaser that this product as manufactured is free from defects in materials and workmanship. For a period of two (2) years from date of purchase by the original consumer purchaser, we will repair or replace, at our option, without charge for parts or labor incurred in replacing parts, any part which we find to be defective due to materials or workmanship. This Warranty is subject to the following limitations and exclusions.

1. This warranty does not apply to the engine, transaxle/transmission components, battery (except as noted below) or components parts thereof. Please refer to the applicable manufacturer's warranty on these items.
2. Transportation charges for the movement of any power equipment unit or attachment are the responsibility of the purchaser. Transportation charges for any parts submitted for replacement under this warranty must be paid by the purchaser unless such return is requested by the manufacturer.
3. **Battery Warranty:** On products equipped with a Battery, we will replace, without charge to you, any battery which we find to be defective in manufacture, during the first ninety (90) days of ownership. After ninety (90) days, we will exchange the Battery, charging you 1/12 of the price of a new Battery for each full month from the date of the original sale. Battery must be maintained in accordance with the instructions furnished.
4. The Warranty period for any products used for rental or commercial purposes is limited to 90 days from the date of original purchase.
5. This Warranty applies only to products which have been properly assembled, adjusted, operated, and maintained in accordance with the instructions furnished. This Warranty does not apply to any product which has been subjected to alteration, misuse, abuse, improper assembly or installation, delivery damage, or to normal wear of the product.
6. **Exclusions:** Excluded from this Warranty are belts, blades, blade adapters, normal wear, normal adjustments, standard hardware and normal maintenance.
7. In the event you have a claim under this Warranty, you must return the product to an authorized service dealer.

Should you have any unanswered questions concerning this Warranty, please contact:

HOP
Outdoor Products Customer Service Dept.
9335 Harris Corners Parkway
Charlotte, NC 28269 USA

In Canada contact:
HOP
5855 Terry Fox Way
Mississauga, Ontario
L5V 3E4

giving the model number, serial number and date of purchase of your product and the name and address of the authorized dealer from whom it was purchased.

THIS WARRANTY DOES NOT APPLY TO INCIDENTAL OR CONSEQUENTIAL DAMAGES AND ANY IMPLIED WARRANTIES ARE LIMITED TO THE SAME TIME PERIODS STATED HEREIN FOR OUR EXPRESSED WARRANTIES. Some areas do not allow the limitation of consequential damages or limitations of how long an implied Warranty may last, so the above limitations or exclusions may not apply to you. This Warranty gives you specific legal rights, and you may have other rights which vary from locale to locale.

This is a limited Warranty within the meaning of that term as defined in the Magnuson-Moss Act of 1975.