

DIXON[®] ZTR[®]

Operator Manual

SpeedZTR 42 / 966808404



Please read the operator manual carefully and make sure you understand the instructions before using the machine.

Gasoline containing up to 10% ethanol (E10) is acceptable for use in this machine. The use of any gasoline exceeding 10% ethanol (E10) will void the product warranty.

To implement improvements, specifications and designs can be altered without prior notification.

Note that no legal demands can be placed based on the information contained in these instructions.

Use only original parts for repairs. The use of other parts voids the warranty.

Do not modify or install non-standard equipment to the unit without consent from the manufacturer. Modifications to the unit may cause unsafe operations or damage the unit.

When this product is worn out and no longer used, it should be returned to the reseller or other party for recycling.

CONTENTS

| | | | |
|---|----|-------------------------------|----|
| INTRODUCTION..... | 5 | Operating on Hills | 29 |
| General | 5 | Mowing Tips..... | 30 |
| Driving and Transport on Public Roads | 5 | Stopping the Engine | 31 |
| Towing | 5 | Moving Machine By Hand..... | 32 |
| Operating..... | 5 | MAINTENANCE | 33 |
| Good Service | 6 | Maintenance Schedule | 33 |
| Manufacturing Number | 6 | Battery | 35 |
| SYMBOLS AND DECALS..... | 7 | Safety System..... | 36 |
| SAFETY | 9 | Tire Pressures | 36 |
| Safety Instructions | 9 | Parking Brake | 37 |
| Personal Safety Equipment | 11 | V-belts..... | 37 |
| Slope Operation..... | 11 | Deck Belt | 37 |
| Safe Handling of Gasoline | 13 | EZT Belt..... | 38 |
| General Maintenance | 14 | Cutting Blades | 38 |
| Transport..... | 16 | Blade Replacement | 38 |
| Towing | 16 | Adjusting the Mower Deck..... | 39 |
| Spark Arrestor..... | 16 | Leveling Deck | 39 |
| CONTROLS | 17 | Caster Wheels | 40 |
| Control Locations..... | 17 | Cleaning..... | 40 |
| Steering Control Levers..... | 18 | Hardware | 40 |
| Parking Brake | 19 | LUBRICATION | 41 |
| Throttle Control | 19 | Front Wheel Mount | 42 |
| Ignition Switch..... | 19 | Front Wheel Bearings..... | 42 |
| Choke Control..... | 20 | Steering Control Shafts..... | 42 |
| Refueling..... | 20 | Transmission..... | 42 |
| Fuel Shut Off Valve..... | 21 | Engine Lubrication | 42 |
| Mower Deck Lifting Lever | 21 | TROUBLESHOOTING | 43 |
| Tracking | 21 | STORAGE..... | 45 |
| Blade Control Lever | 22 | Winter Storage..... | 45 |
| Bypass Linkages..... | 22 | Service..... | 45 |
| OPERATION | 23 | SCHEMATICS..... | 46 |
| Training | 23 | TECHNICAL DATA..... | 47 |
| Steering | 23 | Torque Specifications | 47 |
| Before Starting..... | 24 | CONFORMITY CERTIFICATES | 49 |
| Starting the Engine | 24 | SERVICE JOURNAL..... | 50 |
| Jumper cables | 27 | | |
| Running | 28 | | |



WARNING!

Failure to follow cautious operating practices can result in serious injury to the operator or other persons. The owner must understand these instructions, and must allow only trained persons who understand these instructions to operate the mower.

Each person operating the mower must be of sound mind and body and must not be under the influence of any mind altering substance.



WARNING!

Engine exhaust, some of its constituents, and certain vehicle components contain or emit chemicals known to the State of California to cause cancer and birth defects or other reproductive harm.



WARNING!

Battery posts, terminals and related accessories contain lead and lead compounds, chemicals known to the State of California to cause cancer and birth defects or other reproductive harm. Wash hands after handling.

INTRODUCTION

Congratulations

Thank you for purchasing a Dixon ride-on mower. This machine is built for superior efficiency to rapidly mow primarily large areas. A control panel easily accessible to the operator and a hydrostatic transmission regulated by steering controls both contribute to the machine's performance.

This manual is a valuable document. Read the contents carefully before using or servicing the machine. The following of instructions (use, service, maintenance, etc.) by all who operate this machine is important for the safety of the operator and others. It can also considerably increase the life span of the machine and increase its resale value.

If you sell your machine, be sure to give the operator manual to the new owner.

The final chapter of this operator manual provides a Service Journal. Ensure that service and repair work are documented. A well-kept service journal reduces service costs for the maintenance and affects the machine's resale value. Please contact your dealer for more information. Take the operator manual along when the machine is taken to your dealer for service.

General

In this operator manual, left and right, backward and forward are used in relation to the machine's normal driving direction.

Continuous dedication to improve our products require that specifications and design are subject to change without notice.

Driving and Transport on Public Roads

Check applicable road traffic regulations before transporting on public roads. If the machine is transported, you must always use approved fastening equipment and ensure that the machine is well anchored. DO NOT operate this machine on public roadways.

Towing

If machine is equipped with a tow hitch, use extreme caution when towing. Never allow children or others in or on towed equipment.

Make wide turns to avoid jack-knifing. Travel slowly and allow extra distance to stop. Do not tow on sloped ground. The weight of the towed equipment may cause loss of traction and loss of control.

Follow the manufacturer's recommendation for weight limits for towed equipment. Do not tow near ditches, canals, and other hazards.

Operating

This machine is constructed only for mowing grass on lawns and even ground without obstacles such as stones, tree stumps, etc. The machine can also be used for other tasks when equipped with special accessories provided by the manufacturer. Operating instructions for the accessories are provided with delivery. All other types of uses are incorrect. The manufacturer's directions concerning operation, maintenance, and repairs must be carefully followed.

Lawn mowers and all power equipment, can be potentially dangerous if used improperly. Safety requires good judgement, careful use in accordance with these instructions and common sense.

The machine must only be operated, maintained, and repaired by persons familiar with the machine's special characteristics and who are also knowledgeable about the safety instructions. Use only approved repair parts to maintain this machine.

Accident prevention regulations, other general safety regulations, occupational safety rules, and traffic regulations must be followed without fail.

Unauthorized modifications to the design of the machine may absolve the manufacturer from liability for any resulting personal injury or property damage.

INTRODUCTION

Good Service

Dixon's products are sold only in specialized retail stores with complete service. This ensures that you as a customer receive only the best support and service. Before the product is delivered, the machine has, for example, been inspected and adjusted by your retailer. See the certificate in the Service Journal in this operator manual.

When you need spare parts or support in service questions, warranty issues, etc., please consult the following professional:

| | | |
|--|--------|--------------|
| | | |
| This Operator Manual belongs to the machine with the manufacturing number: | Engine | Transmission |

Manufacturing Number

The machine's manufacturing number can be found on the printed plate affixed to the left in the engine compartment. Stated on the plate, from the top are:

- The machine's type designation (I.D.).
- The manufacturer's type number (Model).
- The machine's serial number (Serial no.)

Please have the type designation and serial number available when ordering spare parts.

The engine's manufacturing number is stamped on one of the valve covers.

The plate states:

- The engine's model.
- The engine's type.
- Code


Please have these available when ordering spare parts.

The wheel motors and hydrostatic pumps have a barcode decal affixed at the rear.

SYMBOLS AND DECALS

These symbols are found on the machine and in the operator manual.

Study them carefully so that you know what they mean.

 **WARNING!**
Xxxx xxxxxxx xxxxx xxxx xxxxxxxxxxxx
xxxxxxx xxxxxxxxxxxx. xx xxxxxxxxxxx xxxxx
xxxxxxx.

IMPORTANT INFORMATION
Xxxx xxxxxxx xxxxx xxxx xxxxxxxxxxxx xxxxxxx
xxxxxxxxxxx. xx xxxxxxxxxxx xxxxx xxxxxxx.

Used in this publication to notify the reader of a risk of personal injury or death, particularly if the reader should neglect to follow instructions given in the manual.

Used in this publication to notify the reader of a risk of material damage, particularly if the reader should neglect to follow instructions given in the manual. Used also when there is a potential for misuse or misassembly.



Reverse



Neutral



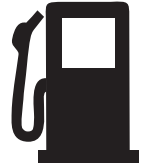
Fast



Slow



Choke



Fuel



Warning!



Parking Brake



CE conformity marking.
Only for European market



Do not stand here



Use protective glasses



Use protective gloves

SYMBOLS AND DECALS

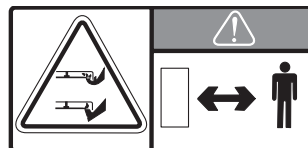
| | | | | |
|---------------------------------------|---|--|--|---|
| Read Operator Manual | Shut off engine and remove key before performing any maintenance or repair work | Keep a safe distance from the machine | Use on slopes no greater than 10° | No passengers |
| | | | | |
| | | | | |
| Whole body exposure to thrown objects | Severing of fingers and toes | Do not open or remove safety shields while engine is running | Careful backing up, watch for other people | Careful going forward, watch for other people |



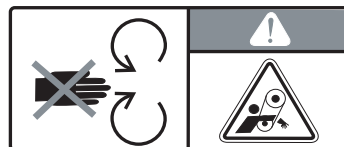
Moving sharp blades under cover



Battery acid is corrosive, explosive and flammable



Warning! Rotating blades, keep away from the discharge deck



Do not touch parts

SAFETY

Safety Instructions

These instructions are for your safety. Read them carefully.



WARNING!

THIS CUTTING MACHINE IS CAPABLE OF AMPUTATING HANDS AND FEET AND THROWING OBJECTS. FAILURE TO OBSERVE THE FOLLOWING SAFETY INSTRUCTIONS COULD RESULT IN SERIOUS INJURY OR DEATH.

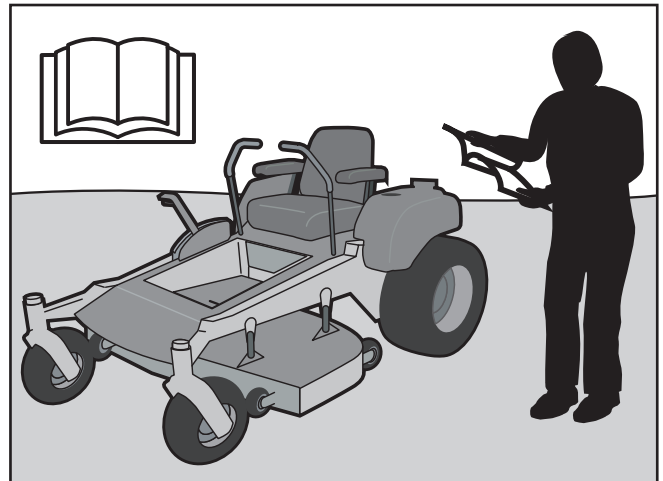


WARNING!

This symbol means that important safety instructions need to be emphasized. It concerns your safety.

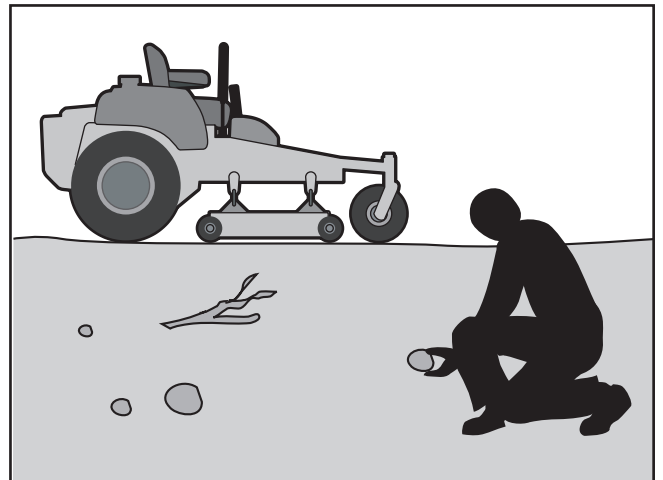
General Operation

- Read, understand, and follow all instructions on the machine and in the manual before starting.
- It is recommended that someone be aware that you are mowing and can provide help in case of injury or accident.
- Do not put hands or feet near rotating parts or under the machine. Keep clear of the discharge opening at all times.
- Only allow responsible adults, who are familiar with the instructions, to operate the machine.
- Clear the area of objects such as rocks, toys, wire, etc., which could be picked up and thrown by the blades.
- Be sure the area is clear of bystanders before operating. Stop machine if anyone enters the area.
- Never carry passengers. The machine is only intended for use by one person.
- Do not mow in reverse unless absolutely necessary. Always look down and behind before and while backing.
- Never direct discharged material toward anyone. Avoid discharging material against a wall or obstruction. Material may ricochet back toward the operator. Stop the blades when crossing gravel surfaces.
- Do not operate machine without the entire grass catcher, discharge guard, or other safety devices in place and working
- Slow down before turning.
- Never leave a running machine unattended. Always turn off blades, set parking brake, stop engine, and remove keys before dismounting.



8011-512

Read the operator manual before starting the machine



8011-513

Clear the area of objects before mowing

SAFETY

- Disengage blades when not mowing. Shut off engine and wait for all parts to come to a complete stop before cleaning the machine, removing the grass catcher, or unclogging the discharge guard.
- Operate machine only in daylight or good artificial light.
- Do not operate the machine while under the influence of alcohol or drugs.
- Watch for traffic when operating near or crossing roadways.
- Use extra care when loading or unloading the machine into a trailer or truck.
- Always wear eye protection when operating machine.
- Wear proper Personal Protective Equipment (PPE) while operating this machine, including (at a minimum) sturdy footwear, eye protection, and hearing protection. Do not mow in shorts and/or footwear with open toes.
- Data indicates that operators age 60 years and above are involved in a large percentage of riding mower-related injuries. These operators should evaluate their ability to operate the riding mower safely enough to protect themselves and others from serious injury.
- Follow the manufacturer's recommendation for wheel weights or counterweights.
- Anyone who operates this machine must first read and understand this Operation Manual. Local laws may regulate the age of the user.
- Keep machine free of grass, leaves or other debris buildup which can touch hot exhaust or engine parts and burn. Do not allow the mower deck to plow leaves or other debris which can cause buildup to occur. Clean any oil or fuel spillage before operating or storing the machine.
- Allow machine to cool before storage.



8011-520

Never take passengers



WARNING!

Engine exhaust and certain vehicle components contain or emit chemicals considered to cause cancer, birth defects, or other reproductive system damage. The engine exhaust contains carbon monoxide, which is an odorless, colorless, poisonous gas. Do not use the machine in enclosed spaces.

SAFETY

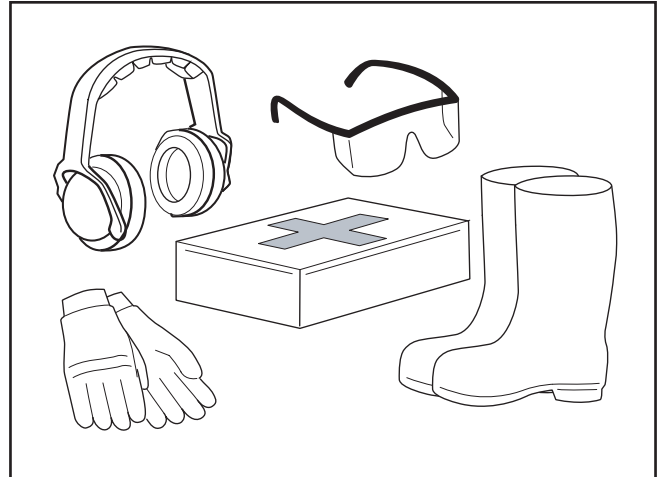
Personal Safety Equipment



WARNING!

When using the machine, approved personal protective equipment (shown in illustrations) shall be used. Personal protective equipment cannot eliminate the risk of injury but it will reduce the degree of injury if an accident does happen. Ask your retailer for help in choosing the right equipment.

- Make sure that you have first aid equipment close at hand when using the machine.
- Never use the machine when barefoot.
- Always wear protective shoes or boots, preferably with steel toe caps.
- Always wear approved protective glasses or a full visor when assembling or driving.
- Always wear gloves when handling the blades.
- Never wear loose clothing that can get caught in moving parts.
- Use ear protectors to avoid damage to hearing.



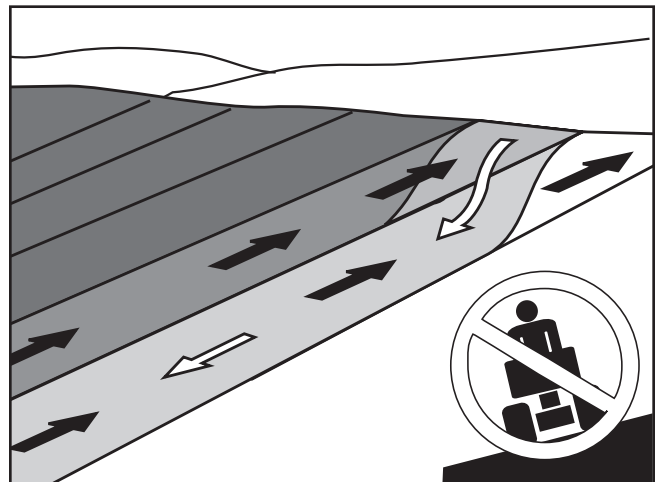
Personal protective equipment

8011-670

Slope Operation

Slopes are a major factor related to loss of control and tip-over accidents, which can result in severe injury or death. Operation on all slopes requires extra caution. If you cannot back up the slope or if you feel uneasy on it, do not mow it.

- Mow up and down slopes (10 degrees maximum), not across.
- Watch for holes, ruts, bumps, rocks, or other hidden objects. Uneven terrain could overturn the machine. Tall grass can hide obstacles.
- Choose a low ground speed so that you will not have to stop while on the slope.
- Do not mow on wet grass. Tires may lose traction.
- Avoid starting, stopping, or turning on a slope. If the tires lose traction, disengage the blades and proceed slowly straight down the slope.
- Keep movement on the slopes slow and gradual. Do not make sudden changes in speed or direction, which could cause machine to roll over.
- Use extra care while operating machine with grass catchers or other attachments; they can affect the stability of the machine.



Mow up and down, not side to side

6003-004



WARNING!

Do not drive up or down hills with slopes greater than 10 degrees. Do not drive across any slopes.

SAFETY

- Do not use on steep slopes.
- Do not try to stabilize the machine by putting a foot on the ground.
- Do not mow near drop-offs, ditches, or embankments. The machine could suddenly roll over if a wheel is over the edge or if the edge caves in.



8011-518

Be extra cautious when driving on slopes



WARNING!

CHILDREN CAN BE INJURED BY THIS EQUIPMENT. The American Academy of Pediatrics recommends that children be a minimum of 16 years of age before operating a riding lawn mower. Keep children out of the mowing area and in the watchful care of a responsible adult other than the operator.



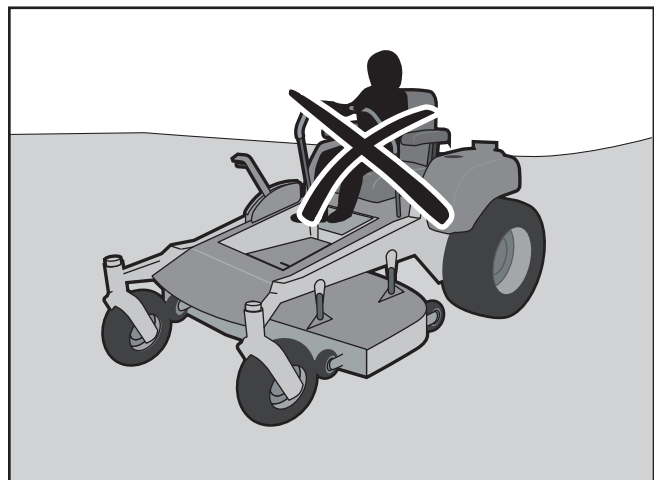
8011-518

Keep children away from work area

Children

Tragic accidents can occur if the operator is not alert to the presence of children. Children are often attracted to the machine and the mowing activity. **Never** assume that children will remain out of the path of danger.

- Be alert and turn machine off if a child enters the area.
- Before and while backing, look behind and down for small children.
- Never carry children, even with the blades shut off. They may fall off and be seriously injured or interfere with safe machine operation. Children who have been given rides in the past may suddenly appear in the mowing area for another ride and be run over or backed over by the machine.
- Never allow children to operate the machine.
- Use extra care when approaching blind corners, shrubs, trees, or other objects that may block the view of a child.



8011-517

Never allow children to operate the machine

SAFETY

Safe Handling of Gasoline



WARNING!

The engine must not be started when the driver's floor plate or any protective plate for the mower deck's drive belt is removed.

To avoid personal injury or property damage, use extreme care in handling gasoline. Gasoline is extremely flammable and the vapors are explosive.

- Extinguish all cigarettes, cigars, pipes, and other sources of ignition.
- Use only approved gasoline container.
- Never remove gas cap or add fuel with the engine running. Allow engine to cool before refueling.
- Never fuel the machine indoors.
- Never store the machine or fuel container where there is an open flame, spark, or pilot light such as on a water heater or other appliance.
- Before beginning to refuel, minimize the risk of static electricity by touching a metal surface.
- Never fill containers inside a vehicle or on a truck or trailer bed with plastic liner. Always place containers on the ground away from the vehicle when filling.
- Remove gas-powered equipment from the truck or trailer and refuel it on the ground. If this is not possible, refuel such equipment with a portable container, rather than from a gasoline dispenser nozzle.
- Keep the nozzle in contact with the rim of the fuel tank or container opening at all times until fueling is complete. Do not use a nozzle lock-open device.
- If fuel is spilled on clothing, change clothing immediately.
- Never overfill fuel tank. Replace gas cap and tighten securely.
- Do not start the engine near spilled fuel.
- Never use gasoline as a cleaning agent.
- If leaks arise in fuel system, engine must not be started until problem has been resolved.
- Check the fuel level before each use and leave space for the fuel to expand, as the heat from the engine and the sun may otherwise cause the fuel to expand and overflow.



8011-516

Never fill the fuel tank indoors



WARNING!

The engine and the exhaust system become very hot during operation.

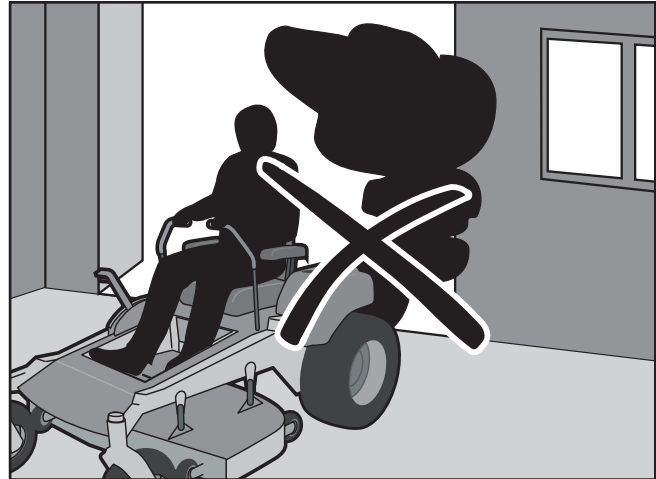
There is risk for burns if touched.

Allow engine and exhaust system to cool before refueling.

SAFETY

General Maintenance

- Never operate machine in a closed area.
- Keep all nuts and bolts tight to be sure the equipment is in safe working condition.
- Never tamper with safety devices. Check their proper operation regularly.
- Keep machine free of grass, leaves, or other debris buildup. Clean oil or fuel spillage and remove any fuel-soaked debris. Allow machine to cool before storing.
- If the machine strikes a foreign object, stop and inspect the machine. Repair, if necessary, before restarting.
- Never make any adjustments or repairs with the engine running.
- Check grass catcher components and the discharge guard frequently and replace with manufacturer's recommended parts, when necessary.
- Mower blades are sharp. Wrap the blade or wear gloves, and use extra caution when servicing them.
- Check brake operation frequently. Adjust and service as required.
- Maintain or replace safety and instruction labels, as necessary.
- Do not modify safety equipment. Check regularly to be sure it works properly. The machine must not be driven with defective or unmounted protective plates, protective cowlings, safety switches, or other protective devices.
- Do not change the settings of governors and avoid running the engine with overly high engine speeds. If the engine runs too fast, there is risk for damaging the machine components.
- Be very careful when handling battery acid. Acid on skin can cause serious corrosive burns. If battery acid is spilled on skin, rinse immediately with water.
- Acid in the eyes can cause blindness, contact a doctor immediately.
- Be careful when servicing the battery. Explosive gases form in the battery. Never perform maintenance on the battery when smoking or near open flames or sparks.
- The battery can explode and cause serious injury or damage.
- Ensure that the equipment is in good condition and that all nuts and bolts, especially those fastening the blade attachments, are properly tightened and torqued.



8011-515

Never drive the machine in an enclosed space



CAUTION!

Use protective glasses for maintenance work.



WARNING!

The battery contains lead and lead compounds, chemicals that are considered to cause cancer, birth defects, and other reproductive system damage. Wash your hands after handling the battery.

SAFETY

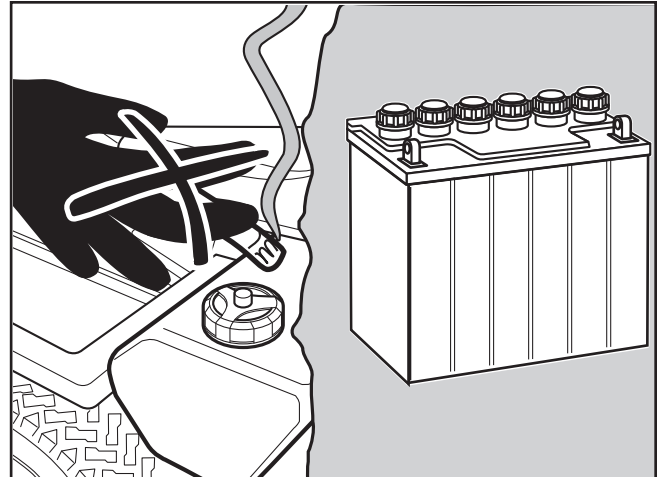
Sparking can occur when working with the battery and the heavy cables of the starter circuit. This can cause battery explosion, fire or eye injury. Sparking in this circuit can not occur after the chassis cable (normally negative, black) is removed from the battery.



WARNING!

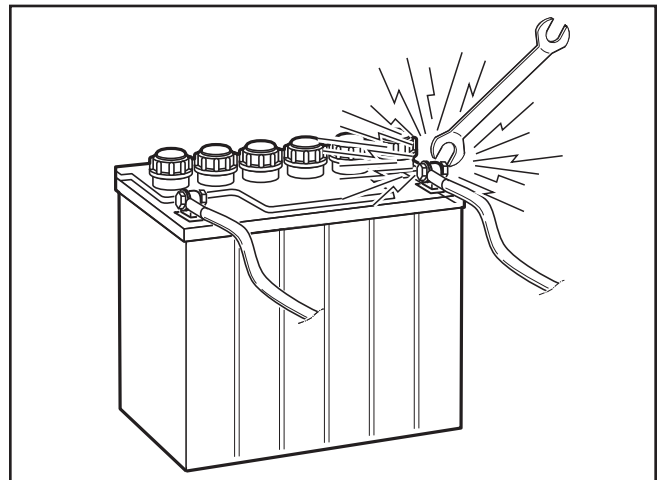
Avoid electrical sparking and its consequences by the following routines:

- Use protective goggles.
 - Ensure that the fuel filler cap is mounted tightly and no flammable substances are stored in an open vessel.
 - Never work with the starter circuit if there is spilled fuel.
 - Disconnect the negative cable from the battery first and reconnect it last.
 - Do not make a bridge short circuit across the starter relay to run the starter.
-
- Never use the machine indoors or in spaces lacking proper ventilation. The exhaust fumes contain carbon monoxide, an odorless, poisonous, and lethal gas.
 - Stop to inspect the equipment if the machine runs over or into anything. If necessary, make repairs before starting.
 - Never make adjustments with the engine running.
 - The machine is tested and approved only with the equipment originally provided or recommended by the manufacturer. Only use approved repair parts for the machine.
 - The blades are sharp and can cause cuts and gashes. Wrap the blades or use protective gloves when handling them.
 - Check the parking brake's functionality regularly. Adjust and service as necessary.
 - The mulch blades should only be used in familiar areas when higher quality mowing is desired.
 - Reduce the risk of fire by removing grass, leaves, and other debris that may have accumulated on the machine.
 - Allow the machine to cool before putting it in storage.
 - Regularly clean deck and underside of deck, avoid spraying engine and electrical components with water.



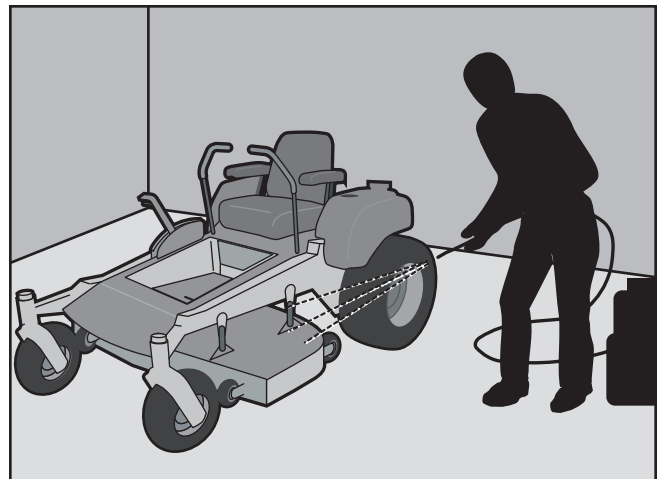
6003-009

Do not smoke when performing maintenance on the battery. The battery can explode and cause serious injury/damage.



8009-728

Risk of sparking



8011-514

Regularly clean deck

SAFETY

Transport

- The machine is heavy and can cause serious crushing injuries. Be extra cautious when it is loaded on or unloaded from a vehicle or trailer.
- Use an approved trailer to transport the machine. Activate the parking brake, turn off the fuel supply, and fasten the machine with approved fastening devices, such as bands, chains, or straps, when transporting.
- Do not operate this machine on public roadways.
- Check and abide by local traffic regulations before transporting the machine on any road.
- Do not tow this machine: it may cause damage to the drive system.
- Load the unit onto truck or trailer by driving up ramps of suitable strength using a slow speed. Do not lift! The machine is not intended to be lifted by hand.
- When loading or unloading this machine, do not exceed the maximum recommended operation angle of 10°.

IMPORTANT INFORMATION

The parking brake is not sufficient to lock the machine in place during transport. Ensure that the machine is well fastened to the transport vehicle. Always reverse the machine onto the transport vehicle to avoid tipping it over.



WARNING!

Use extreme caution when loading the machine into a truck or trailer using ramps. There is the possibility of serious injury or death if the machine falls off the ramps.



WARNING!

Escaping hydraulic oil under pressure can have sufficient force to penetrate the skin, causing serious injury. If injured by escaping fluid, see a doctor at once. Serious infection or reaction can develop if proper medical treatment is not administered immediately.

Towing

If machine is equipped with a tow hitch, use extreme caution when towing. Never allow children or others in or on towed equipment.

Make wide turns to avoid jack-knifing. Travel slowly and allow extra distance to stop. Do not tow on sloped ground. The weight of the towed equipment may cause loss of traction and loss of control.

Follow the manufacturer's recommendation for weight limits for towed equipment. Do not tow near ditches, canals, and other hazards.

Spark Arrestor

A spark arrestor for the muffler is available through an authorized Dixon dealer.



WARNING!

This mower is equipped with an internal combustion engine and should not be used on or near any unimproved forested, bush covered or grassy lands unless the engine's system is equipped with a spark arrestor meeting applicable local or state laws (if any).

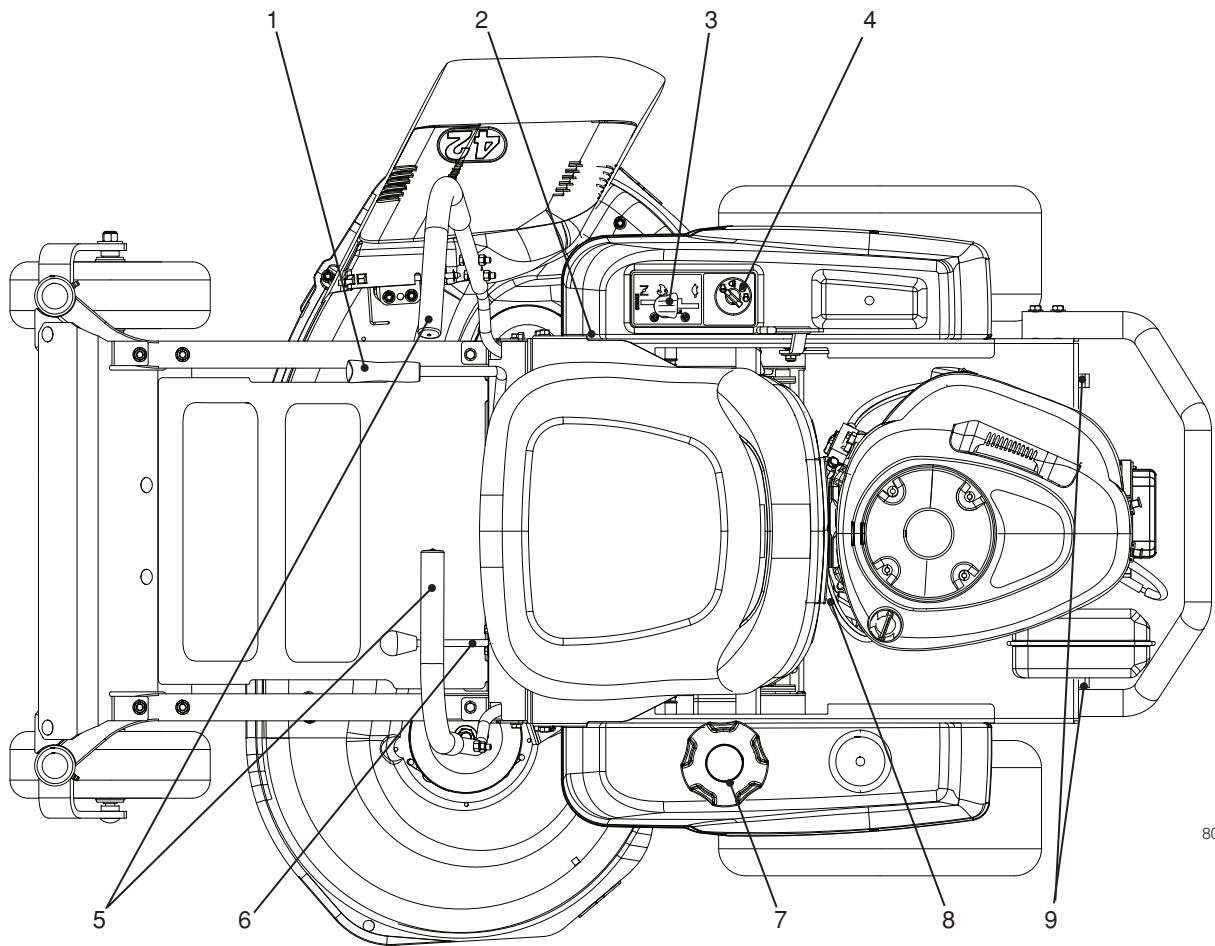
CONTROLS

This operator manual describes the Dixon Zero Turn Rider. The rider is fitted with a Briggs & Stratton four-stroke overhead valve engine.

Transmission from the engine is made via belt-driven

hydraulic pumps. Using the left and right steering controls, the flow is regulated and thereby the direction and speed.

Control Locations



8050-928

- | | |
|---------------------------|------------------------|
| 1. Cutting height handle | 6. Blade control lever |
| 2. Park brake | 7. Fuel tank cap |
| 3. Choke/throttle control | 8. Fuel shut off valve |
| 4. Ignition switch | 9. Bypass linkage |
| 5. Motion control levers | |

CONTROLS

Steering Control Levers

The machine's speed and direction are continuously variable using the two steering controls. The steering controls can be moved forward or backward about a neutral position. Furthermore, there is a neutral position, which is locked if the steering controls are moved outward.

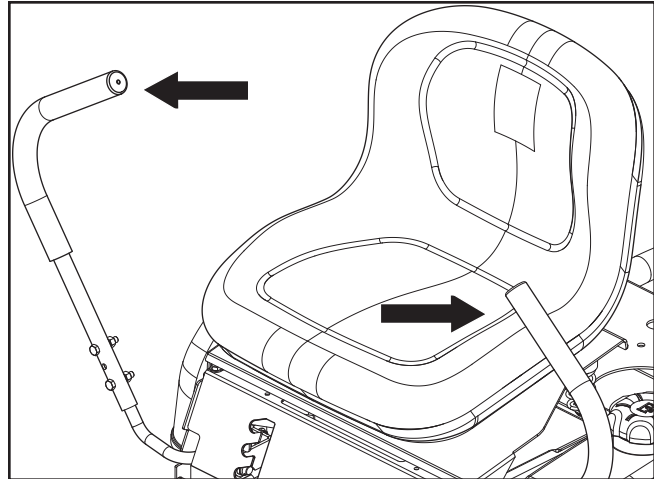
When both controls are in the neutral position (N), the machine stands still.

By moving both controls an equal amount forward or backward, the machine moves in a straight line forward or backward respectively.

In order, for example, to turn right while moving forward, move the right control towards the neutral position. The rotation of the right wheel is reduced and the machine turns to the right.

Zero turn can be achieved by moving one control backward (behind the neutral position) and carefully moving the other steering control forward from its neutral position. The rotation direction when zero turning is determined by which steering control is moved backward behind the neutral position. If the left steering control is pulled backward, the machine turns to the left. Use extra care when using this maneuver.

If the steering controls are in uneven positions when standing still or do not fit in the slots for moving the controls outward, they can be adjusted.



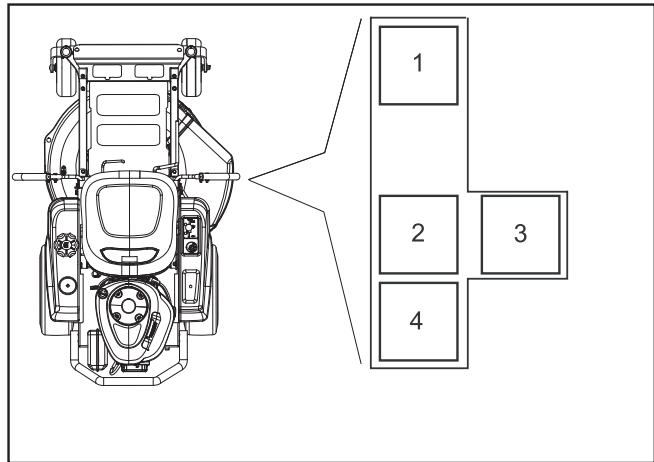
8050-003

Steering controls



WARNING!

The machine can turn very rapidly if one steering control is moved much further forward than the other.



8050-004

1. Forward
2. Neutral
3. Neutral slot, Neutral lock
4. Reverse

Motion control lever, right side

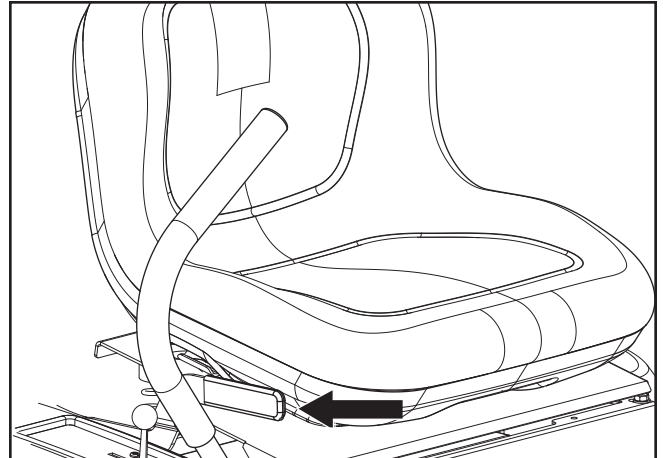
CONTROLS

Parking Brake

The parking brake is found on the right side of the machine. Pull the lever backward to activate the brake and push forward to release it.

IMPORTANT INFORMATION

The machine must stand absolutely still when applying the parking brake. Always set the parking brake before dismounting. Release the parking brake before moving the mower.



Parking brake not activated

8050-005

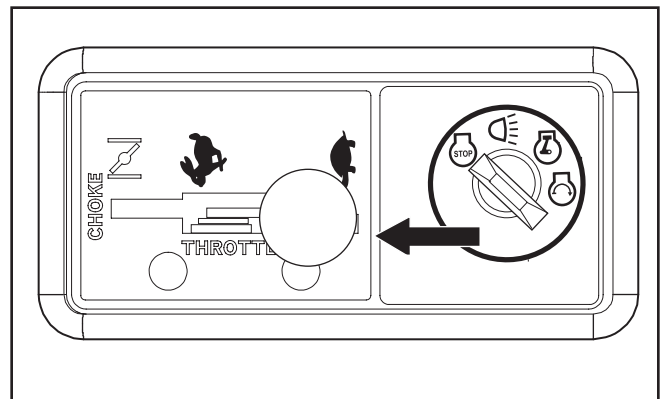
Throttle Control

The throttle control regulates the engine speed and thereby the rate of rotation of the blades.

To increase or decrease the engine speed, the control is moved forward or back respectively.

Avoid idling the engine for long periods, as there is a risk of fouling the spark plugs.

USE FULL THROTTLE WHEN MOWING, for best mower performance and battery charging.



Throttle control

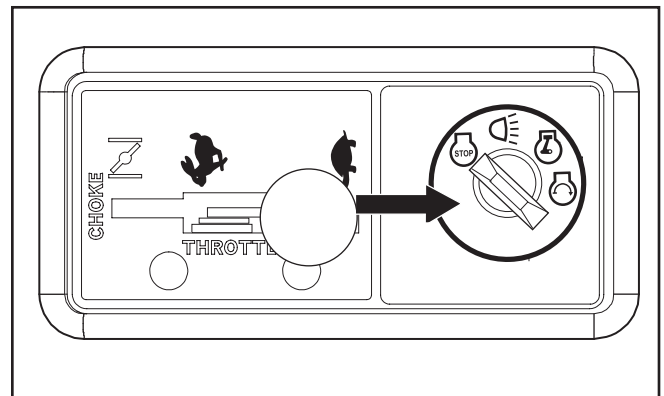
8050-006

Ignition Switch

The ignition switch is placed on the control panel and is used to start and stop the engine.

IMPORTANT INFORMATION

Do not run the starter for more than five seconds each time. If the engine does not start, wait about 10 seconds before retrying.



Ignition switch

8050-006

CONTROLS

Choke Control

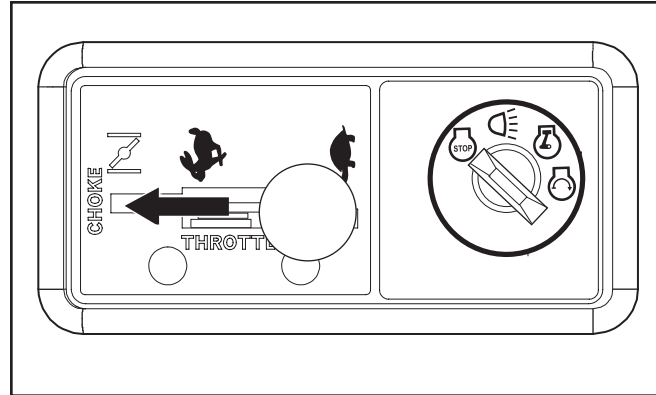
The choke control is used for cold starts to provide the engine with a richer fuel mixture.

For cold starts the throttle should be pushed forward to the choke position.



WARNING!

Gasoline is highly flammable. Observe caution and fill the tank outdoors (see the safety instruction).



8050-006

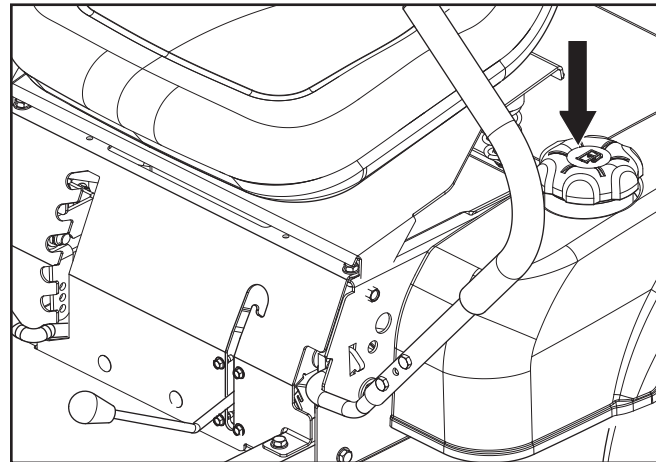
Choke control

Refueling

Read the safety instructions before refueling. The machine has one fuel tank, just behind the seat. The tank volume is 3 gallons (11.4 liters).

Make sure the fuel cap is properly tightened and the cap gasket is not damaged.

The engine will run on a minimum of 85-octane unleaded gasoline (no oil mix). Environmentally adapted alkylate gasoline can be used. See also Technical Data concerning ethanol fuel. Methanol fuel is not allowed. Do not use E85 alcohol based fuel. Damage to engine and components may occur.



8050-012

Fuel tank

IMPORTANT INFORMATION

Experience indicates that alcohol blended fuels (called gasohol, ethanol or methanol) can attract moisture which leads to separation and formation of acids during storage. Acidic gas can damage the fuel system of an engine while in storage. To avoid engine problems, the fuel system should be emptied before storage of 30 days or longer. Drain the gas tank, start the engine and let it run until the fuel lines and carburetor are empty. Use fresh fuel the next season. See Storage Instructions for additional information. Never use engine or carburetor cleaners in the fuel tank or permanent damage may occur.



WARNING!

The engine and the exhaust system, become very hot during operation.

Risk for burns if touched.

Allow engine and exhaust system to cool before refueling.



WARNING!

Fill to bottom of filler neck. Do not overfill. Wipe off any spilled oil or fuel. Do not store, spill or use gasoline near an open flame.

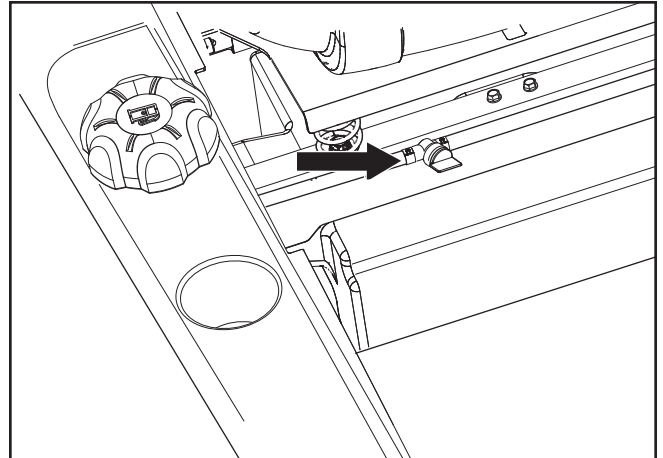
CONTROLS

Fuel Shut Off Valve

The fuel shut off valve is located in the fuel line under the seat. Tilt seat forward for access. The fuel valve is ON when the valve is parallel to the fuel line. Rotate the valve ¼ turn clockwise to turn fuel OFF.

IMPORTANT INFORMATION

To obtain an even cutting height, it is important that the air pressure is 15 psi in all tires.



8050-010

Fuel shut off valve in the OPEN position.

Mower Deck Lifting Lever

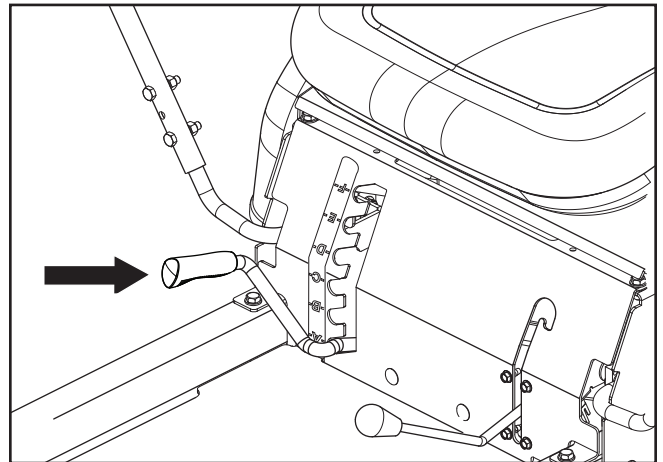
The lifting lever is used to place the mower deck in the transport position or one of the 6 different cutting height positions.

The cutting height is set by placing a lever in the notch for the desired cutting height.

The lifting lever can also be used to temporarily adjust the cutting height, such as when passing a minor bump in the lawn.

IMPORTANT INFORMATION

Always use the high position (F) to transport.



8058-085

The mower deck's lifting lever

Tracking

If the mower is not tracking straight, check the air pressure in both rear tires. Recommended air pressure is 15 psi. (1 bar) Tracking must be checked on a flat and level concrete or blacktop surface. If the unit still does not track straight contact your Dixon workshop for adjustments.

CONTROLS

Blade Control Lever

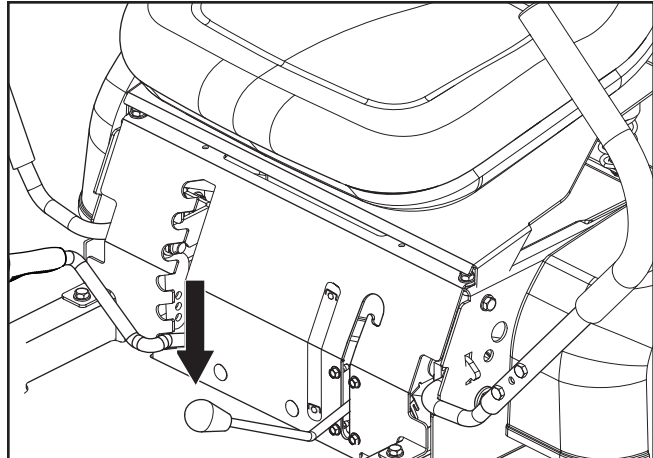
To engage the mower blades, slowly lift the lever up and into the lock notch.



WARNING!

No adjustments or maintenance to be carried out unless:

- the engine stopped
- the ignition key removed
- the parking brake activated



8058-074

Mower deck blade control lever in the disengaged position

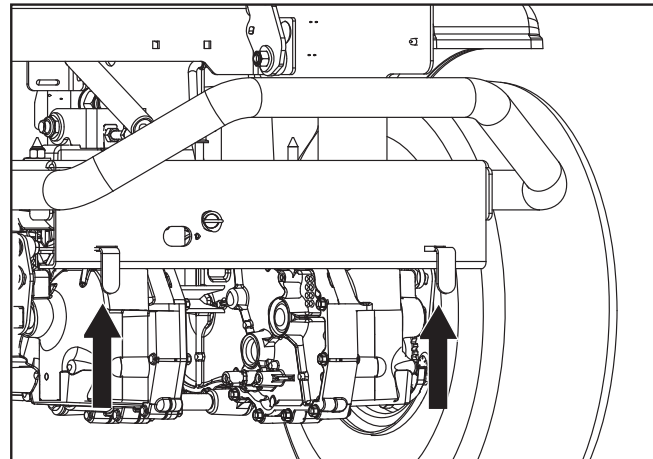
Bypass Linkages

Transaxle bypass linkages must be engaged when pushing or pulling the mower. The release levers are located on each side of the rear of the unit below the rear engine plate. See ***Moving Machine By Hand*** in the **Operation** section.



WARNING!

Bypass linkages are located close to the muffler. To prevent burns, the engine should be shut off and allowed to cool before the bypass linkage levels are handled.



8050-018

Set bypass linkages into slots on both sides

OPERATION

Read the **Safety** section and following pages, if you are unfamiliar with the machine.

Training

Due to unique steering capabilities, zero turn mowers are far more maneuverable than typical riding mowers.

This section should be reviewed in its entirety prior to attempting to move the mower under its own power. When first operating the mower or until becoming comfortable with controls, use a reduced throttle speed and reduced ground speed. DO NOT move control levers to the furthest forward or reverse positions during initial operation.

First time users should become familiar with the mower's movement on a hard surface, such as concrete or blacktop PRIOR to attempting to operate on turf. Until the operator becomes comfortable with the mower controls and zero turning capability, overly aggressive maneuvers may damage turf.

Steering

To move forward and backward

The direction and speed of the mower's movements is effected by the movement of the control lever(s) on each side of mower. The left control lever controls the left wheel. The right control lever controls the right wheel.

First time users should push mower (see **Manual Transport** in the **Operation** section) to an open, flat area, without other people or vehicles/obstacles nearby. To move unit under its own power, the operator must be in the seat, start engine (see **Before Starting** in **Operation** section), adjust engine speed to idle, disengage parking brake, do not engage blades at this time, rotate control levers inward. As long as the control levers have not been moved forward or backwards, mower will not move. Slowly move both control levers forward slightly. This will allow mower to start moving forward in a straight line. Pull back on control levers to the neutral position and mower should stop moving. Pull back slightly on control levers, this will allow mower to start moving backwards. Push forward on control levers to the neutral position and mower should stop moving.

To turn to the right

While moving in a forward direction, pull the right lever back towards the neutral position while maintaining the position of the left lever, this will slow the rotation of the right wheel and cause the machine to turn in that direction.

To turn to the left

While moving in a forward direction pull the left lever back towards the neutral position while maintaining the position of the right lever, this will slow the rotation of the left wheel and cause the machine to turn in that direction.

To zero turn

While moving in a forward direction, first pull both control levers back until the mower stops or slows dramatically.

Then by alternating one lever slightly to the forward position and the other in the reverse position, complete the turn.

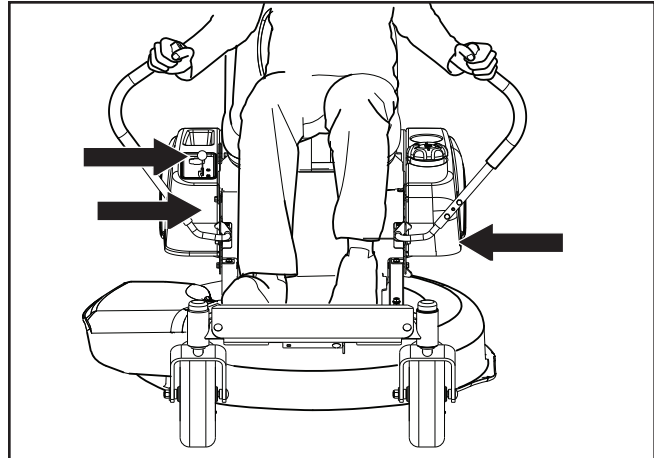
OPERATION

Before Starting

- Read the sections Safety Instructions and Controls before starting the machine.
- Perform the daily maintenance before starting (see Maintenance Schedule in the Maintenance section).
- Check that there is sufficient fuel in the fuel tank.
- Adjust the seat to the desired position.

The following conditions must be fulfilled before the engine can be started:

- The driver must be seated on the seat.
- The blade control lever for engaging the mower blades must be down in the lower position.
- The parking brake must be on.
- Both steering controls must be in the locked (outer) neutral position.

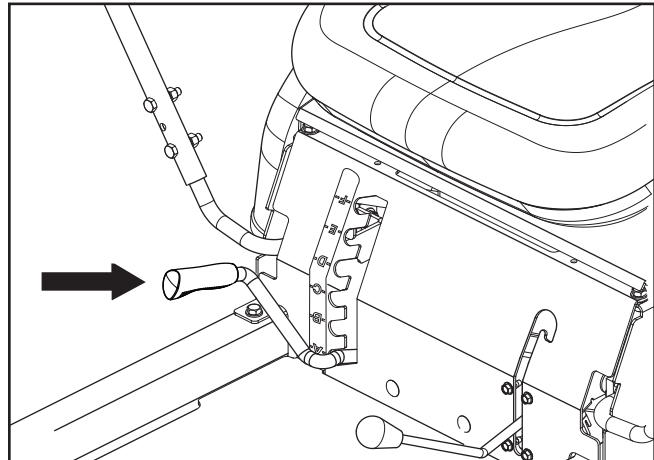


8050-020

Start conditions

Starting the Engine

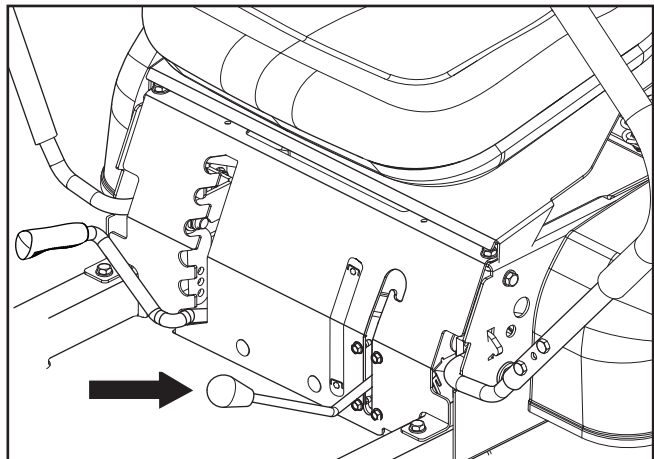
1. Sit on the seat.
2. Raise the mower deck by pulling the lifting lever upward to the transport position (F).
3. Activate the parking brake.



8058-085

Raise the mower deck

4. Disengage the mower blades by lowering the blade control lever out of the lock notch and into the down position.

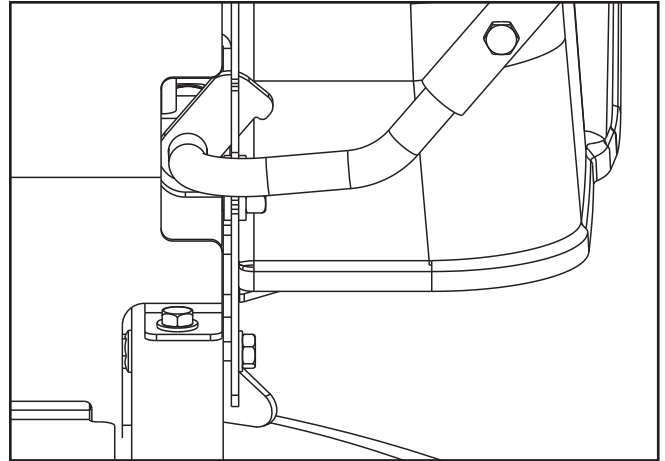


8058-074

Set the blade control lever to the down position

OPERATION

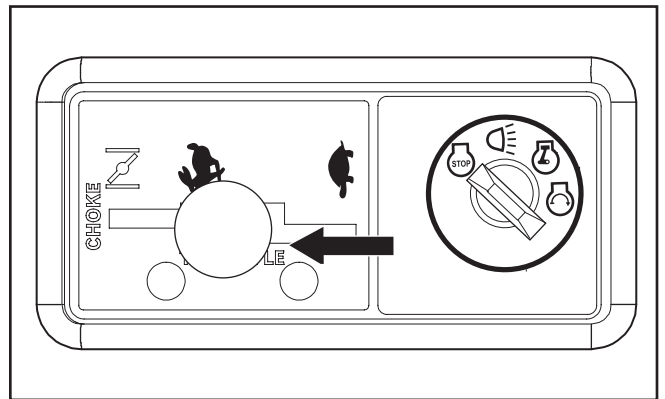
5. Move the steering controls outward to the locked (outer) neutral position.



Place controls in neutral position

8050-028

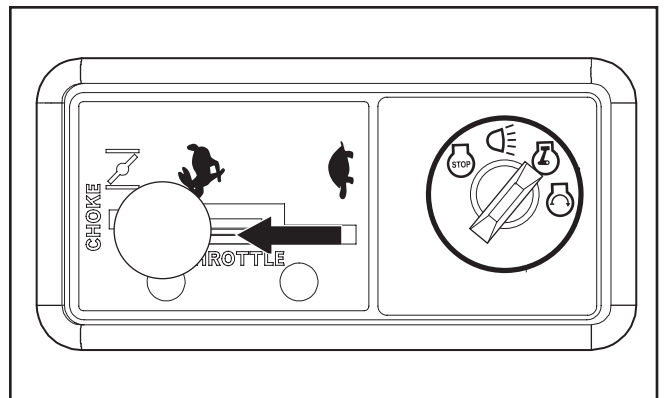
6. Move the throttle to the middle position.



Set the throttle

8050-008

7. If the engine is cold, the choke control should be pushed forward to the choke position.

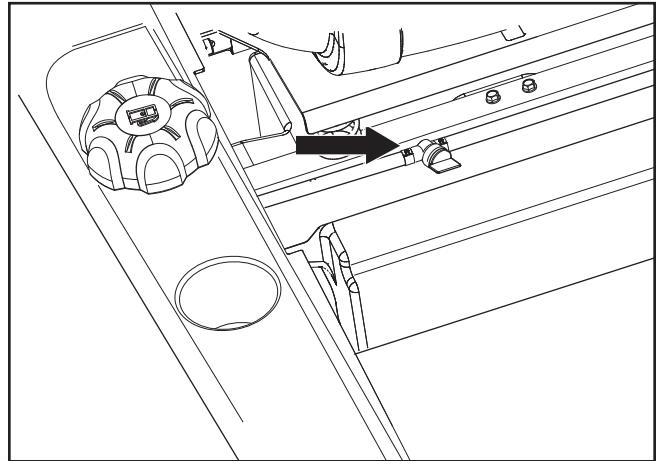


Choke control

8050-007

OPERATION

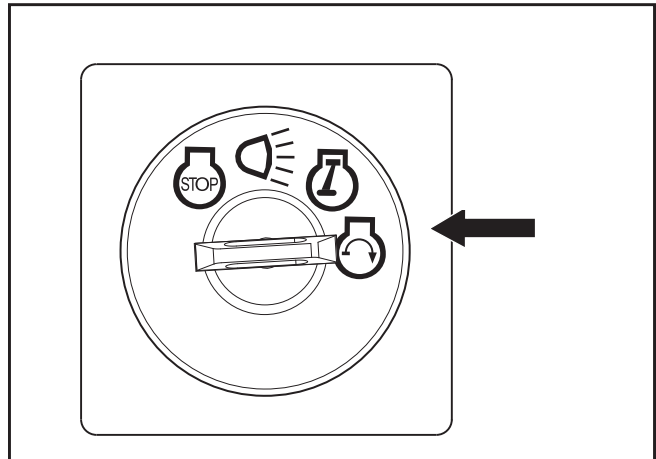
8. Open the fuel valve.



Open the fuel valve

8050-010

9. Press in and turn the ignition key to the start position.



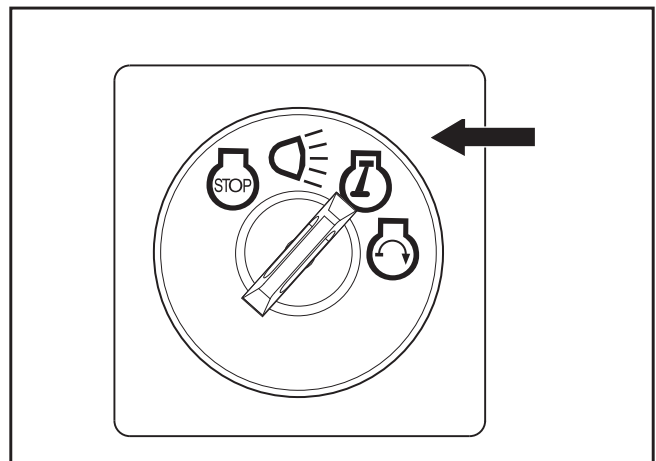
Turn to START position

8050-135

10. When the engine starts, immediately release the ignition key back to the run position.
11. Slowly push the choke control down when the engine has started.

IMPORTANT INFORMATION

Do not run the starter for more than 5 seconds each time. If the engine does not start, wait approximately 10 seconds before retrying.



Release ignition to the RUN position

8050-136

OPERATION

- Set the desired engine speed with the throttle. Allow the engine to run at a moderate speed, approximately mid throttle, for 3-5 minutes before loading it too heavily. **USE FULL THROTTLE WHEN MOWING** (no choke).



WARNING!

Engine exhaust and certain vehicle components contain or emit chemicals considered to cause cancer, birth defects, or other reproductive system damage. The engine exhaust contains carbon monoxide, which is a odorless, colorless, poisonous gas. Do not use the machine in enclosed spaces.



WARNING!

Lead-acid batteries generate explosive gases. Keep sparks, flame and smoking materials away from batteries. Always wear eye protection when around batteries.



If your battery is too weak to start the engine, it should be recharged. (See **Battery** in the *Maintenance* section.)

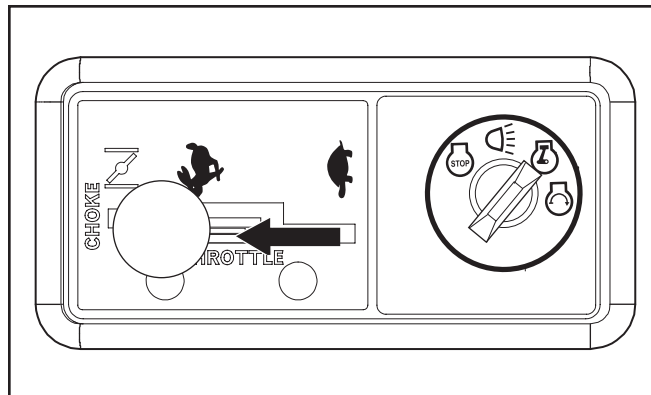
If jumper cables are used for emergency starting, follow this procedure:

Jumper cables

- Connect each end of the RED cable to the POSITIVE (+) terminal on each battery, taking care not to short against chassis.
- Connect one end of the BLACK cable to the NEGATIVE (-) terminal of the fully charged battery.
- Connect the other end of the BLACK cable to a good CHASSIS GROUND on the mower with the discharged battery, away from the fuel tank and battery.

To remove cables, reverse order

- Remove BLACK cable first from chassis and then from the fully charged battery.
- Remove RED cable last from both batteries.

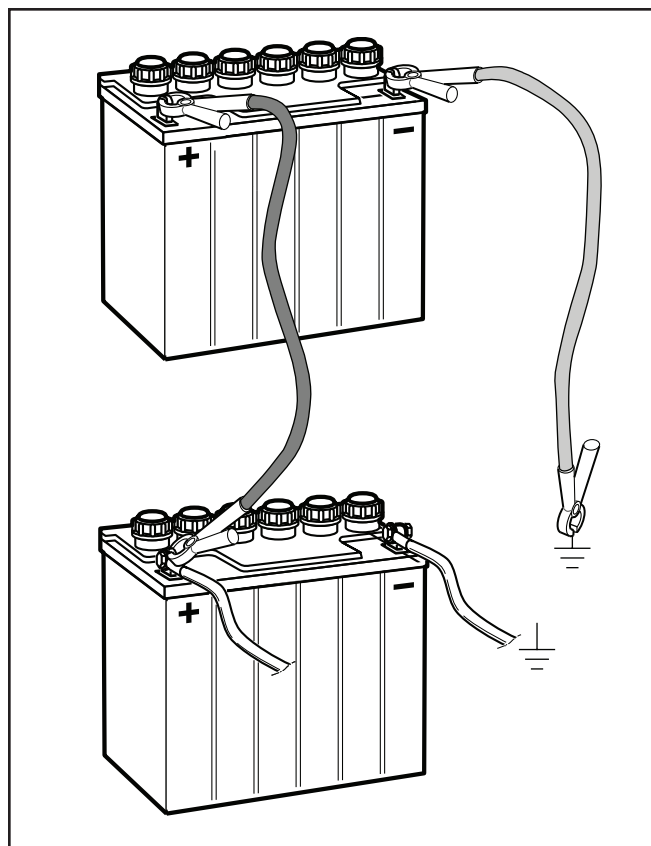


Use full throttle when mowing

8050-007

IMPORTANT INFORMATION

Your mower is equipped with a 12-volt negative grounded system. The other vehicle must also be a 12-volt negative grounded system. Do not use your mower to start other vehicles.



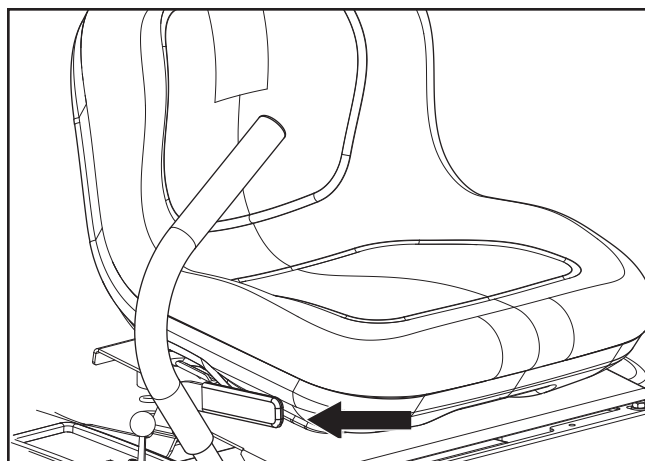
Jumper cable connection

8011-642

OPERATION

Running

1. Release the parking brake by moving the lever downward.
NOTE: The mower is equipped with an operator presence system. When the engine is running, any attempt by the operator to leave the seat without first setting the parking brake will shut off the engine.
2. Move the steering controls to the neutral position (N).



8050-005

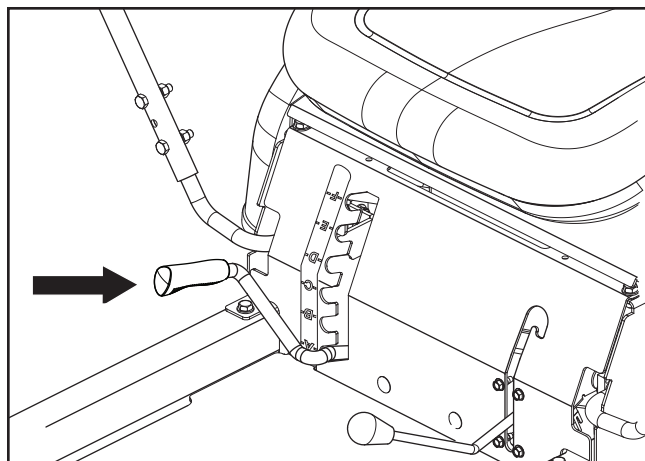
Parking brake not activated

3. Select the cutting height by placing the lever into the desired notch.



WARNING!

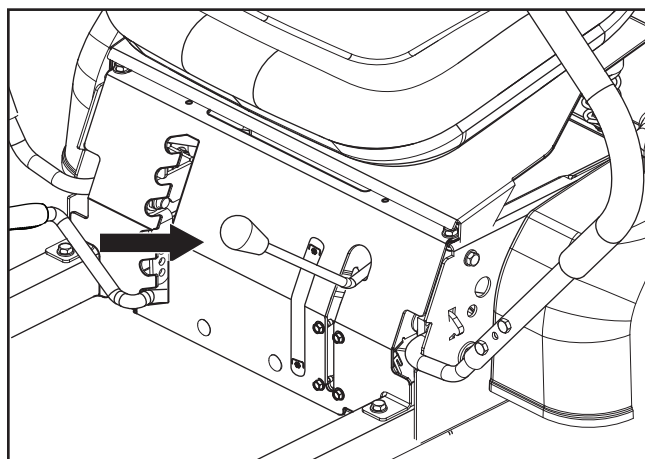
Ensure that no one is near mower when engaging blade control lever.



8058-085

Mower deck's lifting lever

4. Move throttle control to full throttle.
5. Engage the mower blade by sliding the lever upwards and into the lock notch.
6. The machine's speed and direction are continuously variable using the two steering controls. When both controls are in the neutral position, the machine stands still. By moving both controls an equal amount forward or backward, the machine moves in a straight line forward or backward respectively. In order, for example, to turn right while moving forward, move the right control towards the neutral position. The rotation of the right wheel is reduced and the machine turns to the right. Turning on the spot (zero turn) can be achieved by moving one control backward (behind the neutral position) and carefully moving the other steering control forward from its neutral position.



8058-075

Mower blade control lever locked into blade engagement

OPERATION

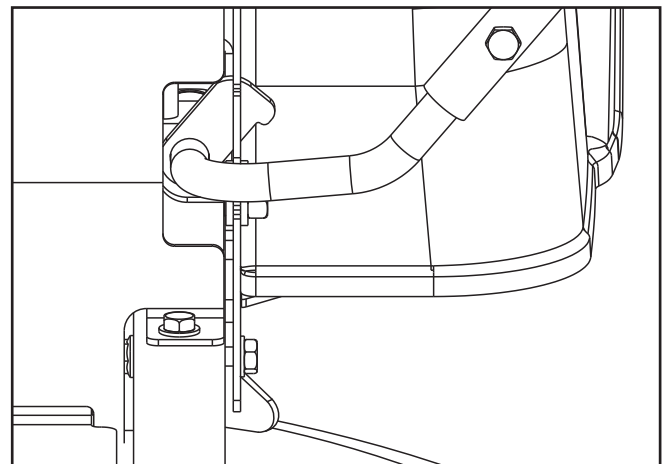
Operating on Hills

Read the Safety Instructions *Driving on Slopes* in the *Safety Instructions*.

WARNING!

Do not drive up or down hills with slopes greater than 10 degrees. Do not drive across slopes.

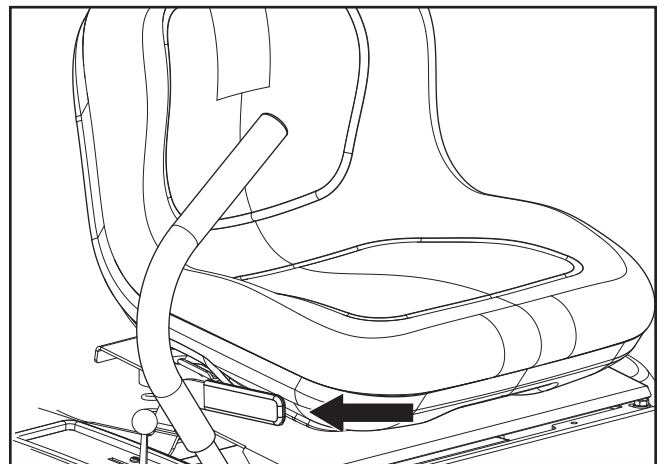
- The slowest speed possible should be used before starting up or down hills.
- Avoid stopping or changing speed on hills.
- If stopping is absolutely necessary, pull drive levers into the neutral position and push to the outside of the unit and engage the parking brake.



8050-028

Place controls in neutral position

- To restart movement, release the parking brake.
- Pull the control levers back to the center of the mower and press forward to regain forward motion.
- Make all turns slowly.



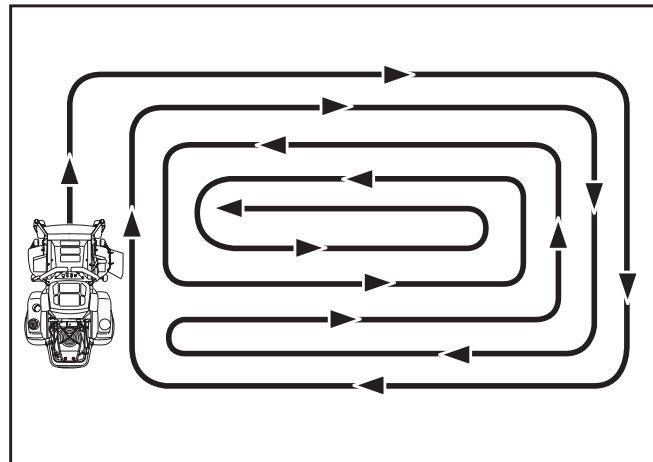
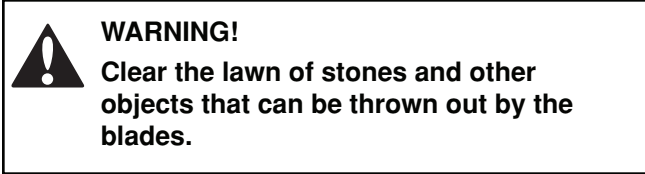
8050-005

Parking brake, released

OPERATION

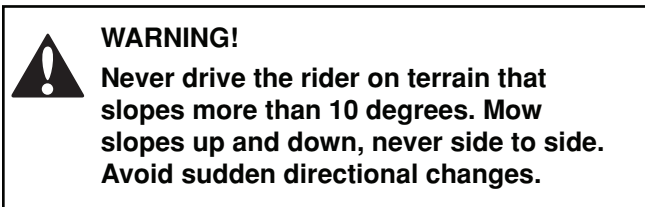
Mowing Tips

- Observe and flag rocks and other fixed objects to avoid collisions.
- Begin with a high cutting height and reduce it until the desired mowing result is attained.
The average lawn should be cut to 2½" (64 mm) during the cool season and over 3" (76 mm) during the hot months. For healthier and better looking lawns, mow often after moderate growth.
For best cutting performance, grass over 6" (15 cm) in height should be mowed twice. Make the first cut relatively high, the second to the desired height.
- The mowing result will be best with a high engine speed (the blades rotate rapidly) and low speed (the rider moves slowly). If the grass is not too long and dense, the driving speed can be increased without negatively affecting the mowing result.
- The finest lawns are obtained by mowing often. The lawn becomes more even and the grass clippings more evenly distributed over the mown area. The total time taken is not increased as a higher operating speed can be used without poor mowing results.
- Avoid mowing wet lawns. The mowing result is poorer because the wheels sink into the soft lawn, clumps build, and the grass clippings fasten under the cowling.
- Hose the mower deck underside with water after each use. When cleaning, the mower deck shall be raised into the transport position. Make sure the mower is cooled and the engine is off.
- Use compressed air to clean top surface of the deck. Avoid flooding water on top surface, engine and electrical components.
- When the mulching kit is used, it is important that the mowing interval is frequent.



Mowing pattern

8011-603



OPERATION

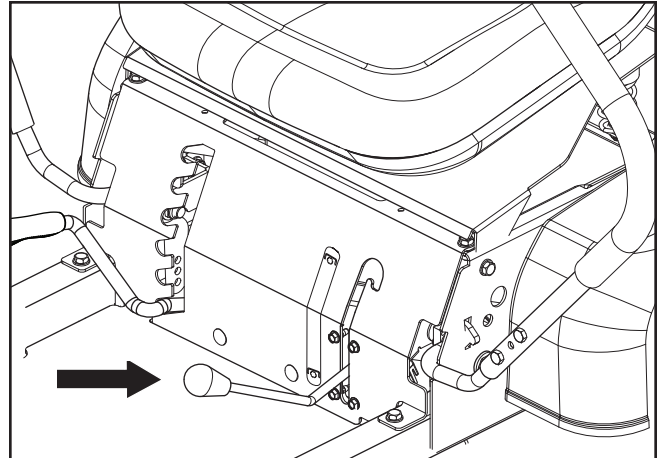
Stopping the Engine

Allow the engine to idle a minute to attain normal operating temperature before stopping it, if it has been worked hard. Avoid idling the engine for longer periods, as there is a risk of the spark plugs fouling.

1. Disengage the mower deck by sliding the blade control lever out of the lock notch and down into the lower position.
2. Raise the mower deck by pulling the lifting lever upward to the transport position.
3. When the machine is standing still, activate the parking brake by pulling the lever backward.
4. Move the throttle to the minimum position (tortoise symbol). Turn the ignition key to the stop position. Never use choke to stop the engine.
5. Move the steering controls outward.
6. Remove the key. Always remove key when leaving the mower to prevent unauthorized use.

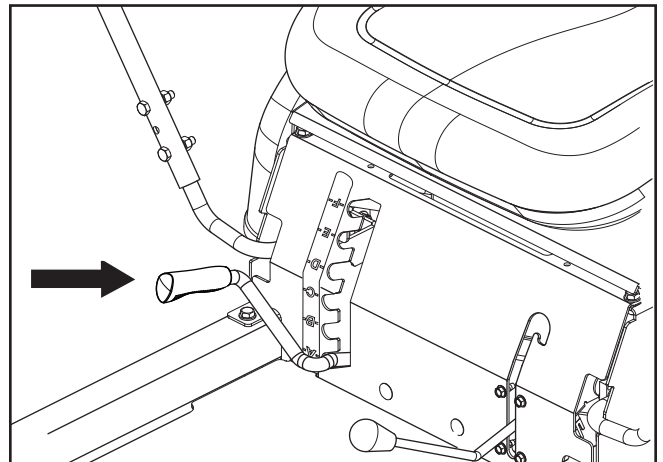
IMPORTANT INFORMATION

Leaving the ignition switch in any other position than OFF will cause the battery to be discharged.



8058-074

Disengage the mower blades



8058-085

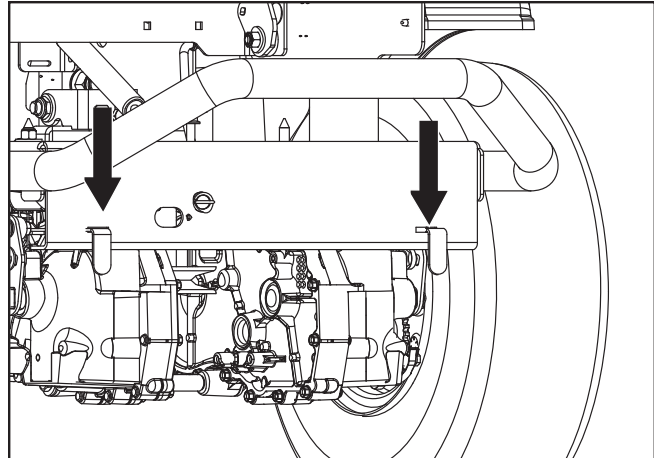
Raise the mower deck with the lifting lever

OPERATION

Moving Machine By Hand

When pushing or pulling the mower, be sure to engage the EZT Hydrogear bypass linkages. The EZT bypass linkages are located on the rear of the frame, below the rear engine guard.

1. Raise the deck into the highest cutting position.
2. Pull the EZT bypass linkages out and into the slots. Release linkages to hold in the bypass position.
3. Release park brake.
4. To reengage the EZT's to drive, reverse the above procedure.



8050-018

Set bypass linkages into slots on both sides



WARNING!

Bypass linkages are located close to the muffler. To prevent burns, the engine should be shut off and allowed to cool before the bypass linkage levels are handled.

MAINTENANCE

Maintenance Schedule

The following is a list of maintenance procedures that must be performed on the machine. For those points not described in this manual, visit an authorized service workshop. An annual service carried out by

an authorized service workshop is recommended to maintain your machine in the best possible condition and to ensure safe operation.

Read **Maintenance** in the **Safety** section.

| Maintenance | Daily | | At least once each year | Maintenance interval in hours | | | |
|--|--------|-------|-------------------------|-------------------------------|----|-----|-----|
| | Before | After | | 25 | 50 | 100 | 300 |
| Check the parking brake | ● | | | | | | |
| Check the engine's oil level (every refueling) | ■ | | | | | | |
| Check the safety system | ● | | | | | | |
| Check for fuel and oil leakages | ◆ | | | | | | |
| Check/clean the engine's cooling air intake | | ■ | | | | | |
| Check the mower deck | | ● | | | | | |
| Check for loose hardware (screws, nuts) | | ● | | | | | |
| Clean under the mower deck | | ● | | | | | |
| Start the engine and blades, listen for unusual sounds | | ◆ | | | | | |
| Check for damage | | ◆ | | | | | |
| Thoroughly clean around the engine | | ◆ | | | | | |
| Clean around belts, belt pulleys | | ◆ | | | | | |
| Check the tire pressures | | | | ● | | | |
| Check battery | | | | ● | | | |
| Sharpen/replace mower blades | | | | ● | | | |
| Clean the engine's cooling air intake ²⁾ | | | ■ | ■ | | | |
| Clean the air cleaner's foam pre-filter ²⁾ | | | ■ | ■ | | | |
| Clean the air cleaner's paper filter cartridge ²⁾ | | | ■ | | ■ | | |
| Check/adjust the parking brake | | | ◆ | | ◆ | | |

1) First change after 5-8 hours. When operating with a heavy load or at high ambient temperatures, replace every 50 hours.

2) In dusty conditions, cleaning and replacement are required more often.

3) For daily use, the machine should be lubricated twice weekly.

4) Performed by authorized service workshop.

● = Described in this manual

◆ = Not described in this manual

■ = See engine manufacturers' Owners Manual

MAINTENANCE

| Maintenance | Daily | | At least once each year | Maintenance interval in hours | | | |
|---|--------|-------|-------------------------|-------------------------------|----|-----|-----|
| | Before | After | | 25 | 50 | 100 | 300 |
| Check/adjust throttle cable | | | | | | ● | |
| Check the condition of belts, belt pulleys | | | ● | | | ● | |
| Change the engine oil ¹⁾ | | | ■ | | ■ | | |
| Replace the engine oil filter | | | ■ | | | ■ | |
| Clean/replace the spark plugs | | | ■ | | | ■ | |
| Check the caster wheels (every 200 hours) | | | | | | ● | |
| Check/adjust the mower deck | | | ● | | | | ● |
| Check the engine valve clearance ⁴⁾ | | | ◆ | | | | ◆ |
| Perform the 300-hour service ⁴⁾ | | | ◆ | | | | ◆ |
| Lubricate according to Lubrication Schedule ^{3,4)} | | | ● | ● | ● | ● | ● |

¹⁾ First change after 5-8 hours. When operating with a heavy load or at high ambient temperatures, replace every 50 hours.

²⁾ In dusty conditions, cleaning and replacement are required more often.

³⁾ For daily use, the machine should be lubricated twice weekly.

⁴⁾ Performed by authorized service workshop.

● = Described in this manual

◆ = Not described in this manual

■ = See engine manufacturers' Owners Manual



WARNING!

Before performing any service or adjustment checklist:

- **Engage the parking brake.**
- **Place the Blade-switch in the disengaged position.**
- **Turn the ignition switch to OFF position and remove the key.**
- **Make sure the blades and all moving parts have completely stopped.**

MAINTENANCE

Battery

Your mower is equipped with a maintenance free battery that does not need servicing. However, periodic charging of the battery with an automotive type battery charger will extend its life.

- Keep battery and terminals clean.
- Keep battery bolts tight.
- See chart for charging times.

Cleaning battery and terminals

Corrosion and dirt on the battery and terminals can cause the battery to lose power.

1. Open the terminal access doors.
2. Disconnect BLACK battery cable first, then the RED battery cable and remove the battery from the machine.
3. Rinse the battery with plain water and dry.
4. Clean terminals and battery cable ends with wire brush until shiny.
5. Coat terminals with grease or petroleum jelly
6. Reinstall battery.

IMPORTANT INFORMATION

Do not attempt to open or remove caps or covers. Adding or checking level of electrolyte is not necessary.

Always use two wrenches for the terminal screws.

Replacing battery

1. Lift seat and rotate forward.
2. Open terminal access doors
3. Using two 1/2" wrenches disconnect BLACK battery cable then RED battery cable.
4. Using a 7/16 wrench, remove the bolts on either side of the terminal guard and lift off guard.
5. Carefully remove the battery from the mower.
6. Install new battery with terminals in the same position as the old battery.
7. Reinstall battery terminal guard.
8. First connect RED battery cable to positive (+) battery terminal with hex bolt and hex nut.
9. Connect BLACK grounding cable to negative (-) battery terminal with remaining hex bolt and hex nut.
10. Close access doors.
11. Lower seat.



Always use protective glasses when handling the battery.

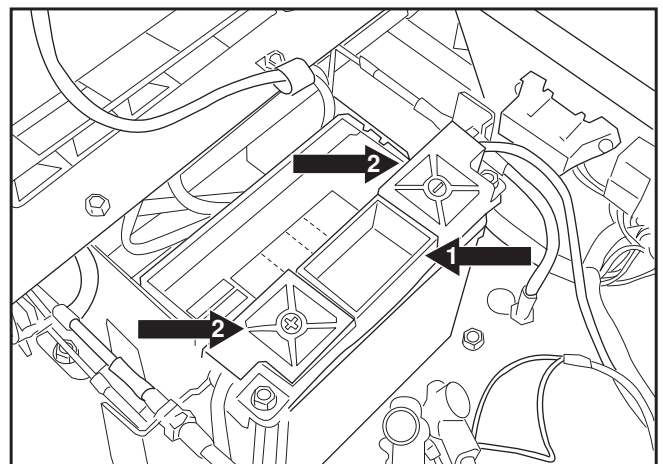
| STANDARD BATTERY | STATE OF CHARGE | APPROXIMATE BATTERY CHARGING TIME* TO FULL CHARGE AT 80°F / 27°C | | | |
|------------------|-----------------|--|----------|----------|----------|
| | | Maximum Rate at: | | | |
| | | 50 Amps | 30 Amps | 20 Amps | 10 Amps |
| 12.6V | 100% | - FULL CHARGE - | | | |
| 12.4V | 75% | 20 min. | 35 min. | 48 min. | 90 min. |
| 12.2V | 50% | 45 min. | 75 min. | 95 min. | 180 min. |
| 12.0V | 25% | 65 min. | 115 min. | 145 min. | 280 min. |
| 11.8V | 0% | 85 min. | 150 min. | 195 min. | 370 min. |

*Charging time depends on battery capacity, condition, age, temperature and efficiency of charger



WARNING!

Do not short battery terminals by allowing a wrench or any other object to contact both terminals at the same time. Before connecting battery, remove metal bracelets, wristwatch bands, rings, etc. Positive terminal must be connected first to prevent sparks from accidental grounding.



1. Terminal guard

2. Access doors

Battery cleaning and installation

CZ-22

MAINTENANCE

Safety System

The machine is equipped with a safety system that prevents starting or driving under the following conditions.

The engine can only be started when:

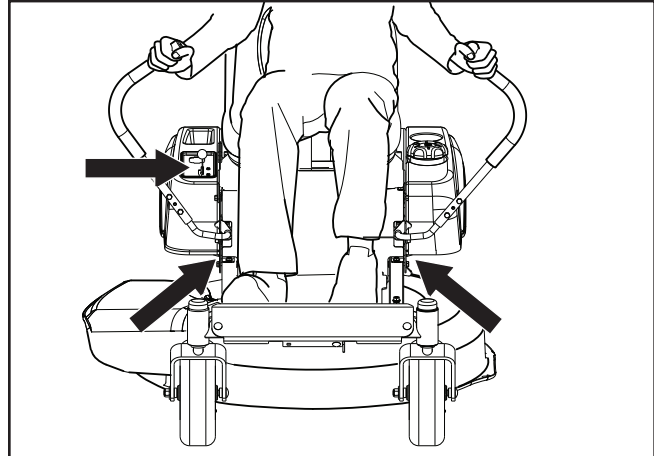
1. The mower deck is disengaged.
2. The steering controls are in the outer, locked neutral position.
3. The driver is sitting in the driver's seat.
4. The parking brake is on.

Make daily inspections to ensure that the safety system works by attempting to start the engine when one of the conditions is not met. Change the conditions and try again.

If the machine starts when one of these conditions is not met, turn the machine off and repair the safety system before using the machine again.

Make sure the engine stops when the park brake is not engaged and the operator leaves the seated position.

Check that the engine stops if the mower blades are engaged and the driver temporarily moves off the driver's seat.



Start conditions

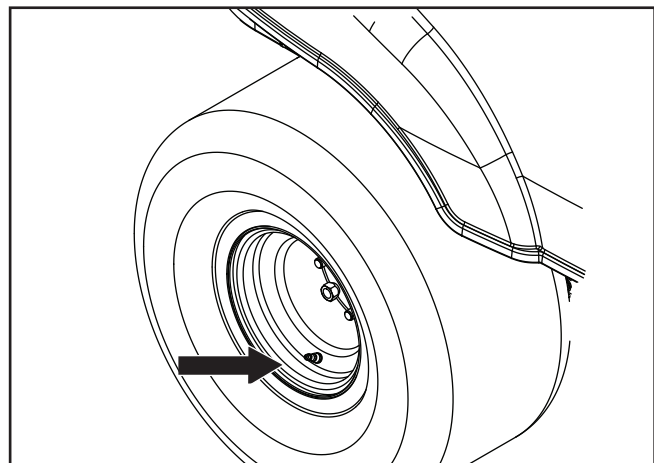
8050-020

IMPORTANT INFORMATION

To be able to drive, the driver must sit in the seat and release the parking brake before the steering controls can be moved into the neutral position, otherwise the engine will stop.

Tire Pressures

All tires should be at 15 psi / 103 kPa / 1 bar.



Tire pressures

8011-564

MAINTENANCE

Parking Brake

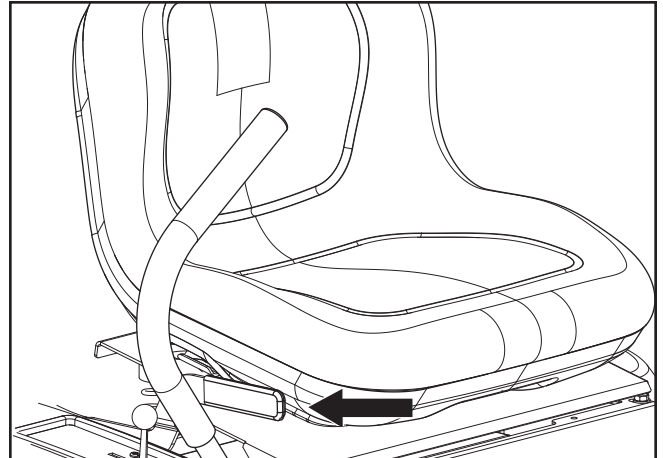
Visually check that no damage is found on the lever, links, or switch belonging to the parking brake. Perform a standstill test and check that there is sufficient braking action.

To adjust the parking brake, contact the Dixon service workshop.



WARNING!

Faulty adjustment can result in reduced braking ability and can cause an accident.



8050-005

Check for proper operation of parking brake

V-belts

Check every 100 hours of operation. Check for severe cracking and large nicks.

NOTE: The belt will show some small cracks in normal operation.

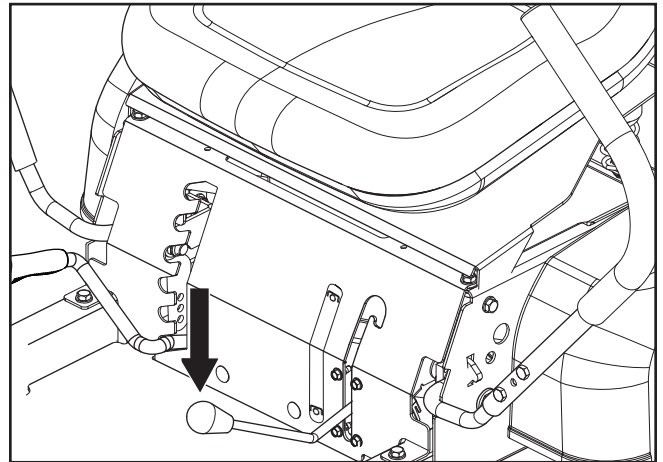
The belts are not adjustable. Replace belts if they begin to slip from wear.

Deck Belt

To replace deck belt

Deck belt removal.

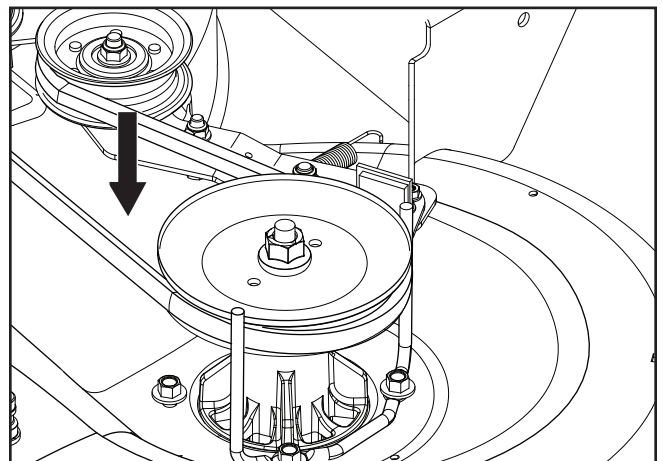
1. Park on a level surface. Apply park brake.
2. Lower the deck to the lowest cutting position.
3. Disengage the clutch by sliding the blade control lever downwards.



8058-074

Disengage clutch to replace deck belt

4. Carefully lift the belt away from belt keepers and off deck pulleys and remove from deck.
5. Replace belt (refer to the belt routing decal on the deck) and re-engage clutch.



8050-013

Check deck belt for excessive wear

MAINTENANCE

EZT Belt

To replace EZT belt

Park the mower on a level surface. Engage the park brake.

EZT belt removal

NOTE: Be careful not to damage the fan blades on the EZT as this can affect cooling or damage the EZT.

1. Remove the deck belt (see **To Replace Deck Belt** in this section of the manual).
2. Create slack in the belt by pushing the spring loaded idler arm inward. Rotate arm to release belt tension.
3. The belt should now be able to be removed from the engine pulley and EZT pulleys.

Belt installation

1. Wrap the EZT belt around the EZT pulleys.
2. Route the belt around the inside of the idler pulley.
3. Wrap the belt around the engine pulley.

Cutting Blades

To attain the best mowing effect, it is important that blades are well sharpened and not damaged.

Replace blades that have been bent or cracked when hitting obstacles.

Let the service workshop decide whether a blade with large nicks can be repaired/ground or must be replaced. Balance the blades after sharpening.

Check the blade mounts.

Blade Replacement

1. Remove blade bolt by turning counterclockwise.
2. Install new or resharpened blade with stamped GRASS SIDE facing towards ground/grass (down) or THIS SIDE UP facing deck and cutter housing.
3. Seat the blade's opening firmly onto the cutter housing.
4. Tighten blade bolt securely.
5. Torque blade bolt to 45-60 ft/lbs (61-81 Nm).

IMPORTANT INFORMATION

**Special blade bolt is heat treated.
Replace with a Dixon bolt if required.
Do not use lower grade hardware than specified.**



WARNING!

The engine and the exhaust system, become very hot during operation. Risk for burns if touched. Allow engine and exhaust system before servicing.

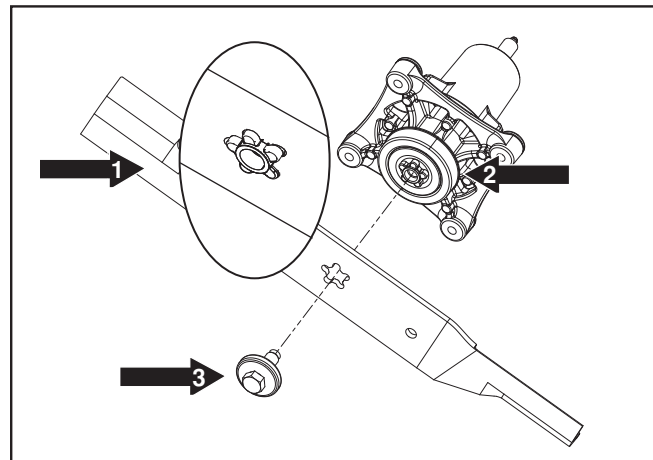


WARNING!

Blades are sharp. Protect your hands with gloves and/or wrap blades with a heavy cloth when handling.



The sharpening of blades should be carried out by an authorized service workshop.



1. Blade
 2. Cutter housing
 3. Blade bolt (special)
- Blade attachment*

8058-129

MAINTENANCE

Adjusting the Mower Deck



WARNING!

Blades are sharp. Protect your hands with gloves and/or wrap blades with a heavy cloth when handling.



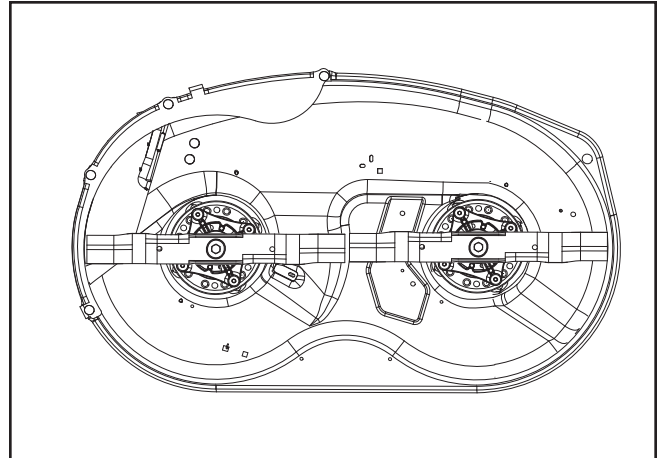
Check the tire pressure before adjustment of the mower deck. See **Checking Tire Pressure** in *Maintenance*. Faulty mower deck adjustments will cause an uneven mowing result.

Leveling Deck

1. Position the mower on a level, preferably concrete, surface.
2. Check the pressure in all four tires. See *Technical Data* section.
3. Rotate blade to align side to side.
4. Turn front adjuster nut(s) to level deck side to side.

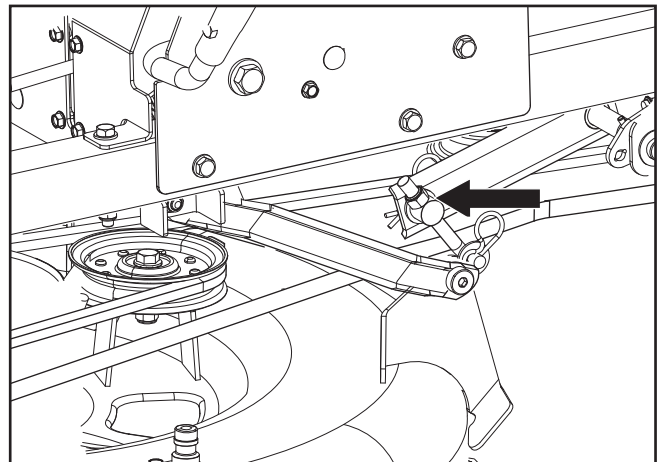
IMPORTANT INFORMATION

This will place the mower deck in a standard measurement position. Depending on the type of grass being mowed or environmental conditions, additional adjustments may be required to achieve the desired cut.



Side to side blade alignment

8058-166



Side to side adjuster nut

8050-015

MAINTENANCE

Caster Wheels

Check every 200 hours. Check that wheels rotate freely. If wheels do not rotate freely take the unit to your dealer for service.

Foam filled tires or solid tires will void the warranty.

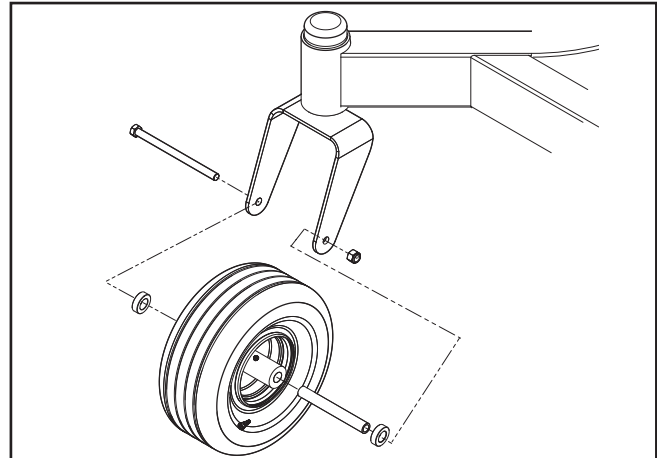
Removal and installation of caster wheel

1. Remove nut and caster bolt.
2. Pull the wheel out of the fork and take care of the sleeve.
3. Reinstall in reverse order. Tighten caster bolt.

IMPORTANT INFORMATION

DO NOT add any type of tire liner or foam fill material to the tires. Excessive loads created by foam filled tires will cause premature failures.

Only use O.E.M. specified tires.



Caster wheels

8050-908

Cleaning

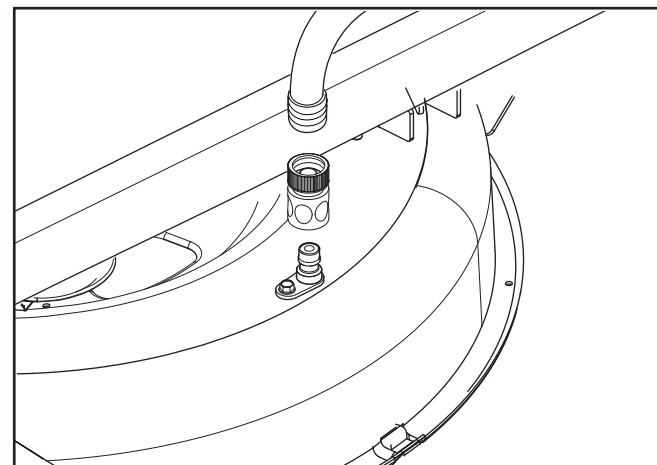
Regular cleaning and washing, especially under the mower deck, will increase the machine's life-span. Make it a habit to clean the machine directly after use (after it is cooled), before the debris sticks.

Use compressed air to clean the top side of mower deck. For cleaning the underside of the deck, use the cleanout port.

Attach the quick connect (from the accessory packet) to any garden hose. After mowing, snap the hose to the cleanout port and turn on water.

Restart the mower and engage the blades to use the spinning action to wash away debris. Make sure the hose is away from the mower blades.

Avoid spraying water on the engine and electrical components.



Clean regularly

8058-084



Use protective glasses when cleaning and washing.

Hardware

Check daily. Inspect the entire machine for loose or missing hardware.

LUBRICATION

| 12/12 | 1/52 | 1/365 | | | 25h | 50h | 100h | 200h | 300h |
|-------|------|-------|---|--|-------------|-----|------|------|------|
| | | | | | 1 ← (2x) | | | | |
| | | | | | 2 ← (2x) | | | | |
| ⚠ | 👁 | 3 | 3 | | | ⚠ | | | |
| | | | | | 4 | | | 🛢 | |

8050-924

| | | |
|------------------|-----------------------------|-----------------|
| 12/12 Every year | Lubricate with grease gun ← | Filter change 🛢 |
| 1/52 Every Week | Oil change ⚠ | Level check 👁 |
| 1/365 Every day | | |

General

Remove the ignition key to prevent unintentional movements during lubrication.

When lubricating with an oil can, it must be filled with engine oil.

When lubricating with grease, unless otherwise stated, use a high grade molybdenum disulphide grease.

For daily use, the machine should be lubricated twice weekly.

Wipe away excess grease after lubrication.

It is important to avoid getting lubricant on the belts or the drive surfaces on the belt pulleys. Should this happen, attempt to clean them with spirits. If the belt continues to slip after cleaning, it must be replaced. Gasoline or other petroleum products must not be used to clean belts.

LUBRICATION

Front Wheel Mount

Lubricate with a grease gun, one zerk for each wheel mount, until the grease is forced out.

Use only good quality bearing grease.

Grease from well-known brand names (petrochemical companies, etc.) usually maintains a good quality.

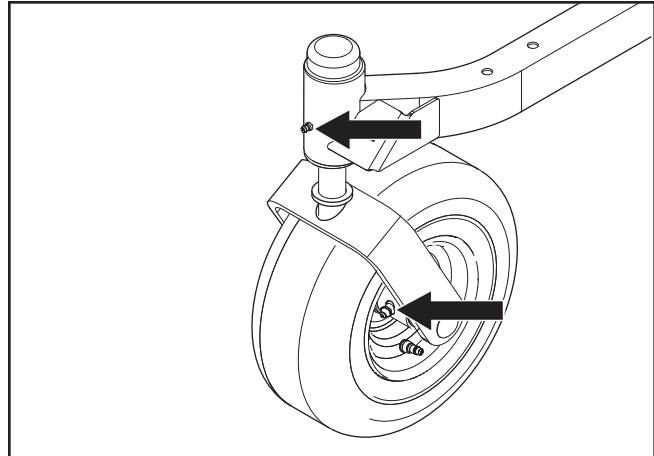
Front Wheel Bearings

Lubricate with a grease gun, one zerk for each set of wheel bearings, until the grease is forced out.

Use only good quality bearing grease.

IMPORTANT INFORMATION

Use minimal lubrication and remove excess lubricant so that it does not come into contact with belts or belt pulley drive surfaces.



8050-009

Lubricating the wheel bearings

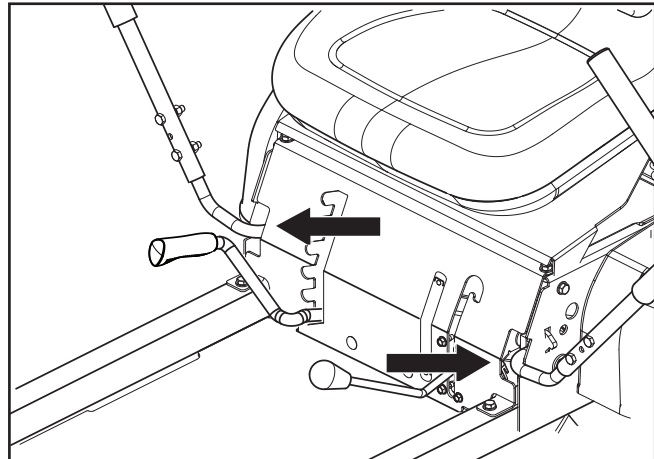
Steering Control Shafts

Tip the driver's seat.

Lubricate with a grease gun, one zerk for each steering control shaft, until the grease is forced out.

Use only good quality molybdenum disulphide grease.

Grease from well-known brand names (petrochemical companies, etc.) usually maintains a good quality.



8058-076

Lubricating the steering control shafts

Transmission

The transmission is maintenance free with no need for level checks or oil changes. If a leak occurs, replace the unit or contact your Dixon dealer.

Engine Lubrication

Refer to the engine manufacturer's manual for maintenance and service instructions.

TROUBLESHOOTING

Problem

Cause

Engine will not start

- Blade lever is engaged
- Steering controls are not locked in neutral position
- Driver is not sitting in driver's seat
- Parking brake is not activated
- Battery is dead
- Contamination in carburetor or fuel line
- Fuel supply is closed or tap for fuel tank is in wrong position
- Clogged fuel filter or fuel line

Starter does not turn the engine over

- Dead battery
- Poor contacts on the battery terminal cable connections
- Fuse blown
- Ignition system faulty
- Fault in the starter safety circuit, see **Safety System** in the *Maintenance* section

Engine runs rough

- Faulty carburetor
- Choke control used with warm engine
- Defective valves
- Defective piston, cylinder, piston ring, or cylinder head seal
- Cylinder head bolts are loose
- Clogged fuel filter or jet
- Clogged ventilation valve on fuel cap
- Fuel tank nearly empty
- Fouled spark plug
- Spark plug is loose
- Defective ignition cable
- Defective spark plug electrode
- Defective spark plug connection
- Rich fuel mixture or fuel-air mixture
- Wrong fuel type
- Water in fuel
- Clogged air filter

TROUBLESHOOTING

Problem

Cause

Engine seems weak

- Clogged air filter
 - Fouled spark plugs
 - Carburetor incorrectly adjusted
-

Engine overheats

- Clogged air intake or cooling fins
 - Engine overloaded
 - Poor ventilation around engine
 - Defective engine speed regulator
 - Soot in the combustion chamber
 - Too little or no oil in the engine
 - Fouled spark plug
-

Battery not charging

- Poor contact with battery terminal cable connectors.
-

Machine moves slowly, unevenly, or not at all

- Parking brake on
 - Hydraulic pump bypass linkage engaged
 - Drive belt for the transmission gears slack or has come off
 - Defective hydraulic system
 - Air in hydraulic system
-

Mower deck not engaging

- Drive belt for the mower deck has come loose
 - Contact for the electromagnetic coupling has loosened
 - Blade switch is faulty or has come loose, from the cable contact
 - Fuse has blown
-

Uneven mowing results

- Different air pressure in the tires on left and right sides
 - Bent blades
 - Suspension for the mower deck is uneven
 - Blades are dull
 - Driving speed too high
 - Grass is too long
 - Grass collected under the mower deck
-

Machine vibrates

- Blades are loose
- Blades are incorrectly balanced
- Engine is loose

STORAGE

Winter Storage

The machine should be readied for storage at the end of the mowing season, or if it will not be in use for longer than 30 days. Fuel allowed to stand for long periods of time (30 days or more) can leave sticky residues that can plug the carburetor and disrupt engine function.

Fuel stabilizers are an acceptable option as regards to the sticky residues that can occur during storage. Add stabilizer to the fuel in the tank or in the storage container. Always use the mixing ratios specified by the manufacturer of the stabilizer. Run the engine for at least 10 minutes after adding the stabilizer so that it reaches the carburetor. Do not empty the fuel tank and the carburetor if you have added stabilizer.



WARNING!

Never store an engine with fuel in the tank indoors or in poorly ventilated spaces where fuel vapor can come in contact with open flames, sparks, or a pilot light such as in a boiler, hot water tank, clothes drier, etc. Handle the fuel with care. It is very flammable and can cause serious personal injury and property damage. Drain the fuel into an approved container outdoors and store far away from open flame. Never use gasoline for cleaning. Use a degreaser and warm water instead.

To ready the machine for storage, follow these steps:

1. Thoroughly clean the machine, especially under the mower deck. Touch up damage to the paint and spray a thin layer of oil on the underside of the mower deck to avoid corrosion.
2. Inspect the machine for worn or damaged parts and tighten any nuts or screws that may have become loose.
3. Change the engine oil; dispose of properly.
4. Empty the fuel tanks or add a fuel stabilizer. Start the engine and allow it to run until the carburetor is drained of fuel or the stabilizer has reached the carburetor.
5. Remove the spark plug and pour about a tablespoon of engine oil into the cylinder. Turn over the engine so that the oil is evenly distributed and then refit the spark plug.
6. Lubricate all grease zerks, joints, and axles.
7. Remove the battery. Clean, charge, and store the battery in a cool place, but protect it from direct cold.
8. Store the machine in a clean, dry place and cover it for extra protection.

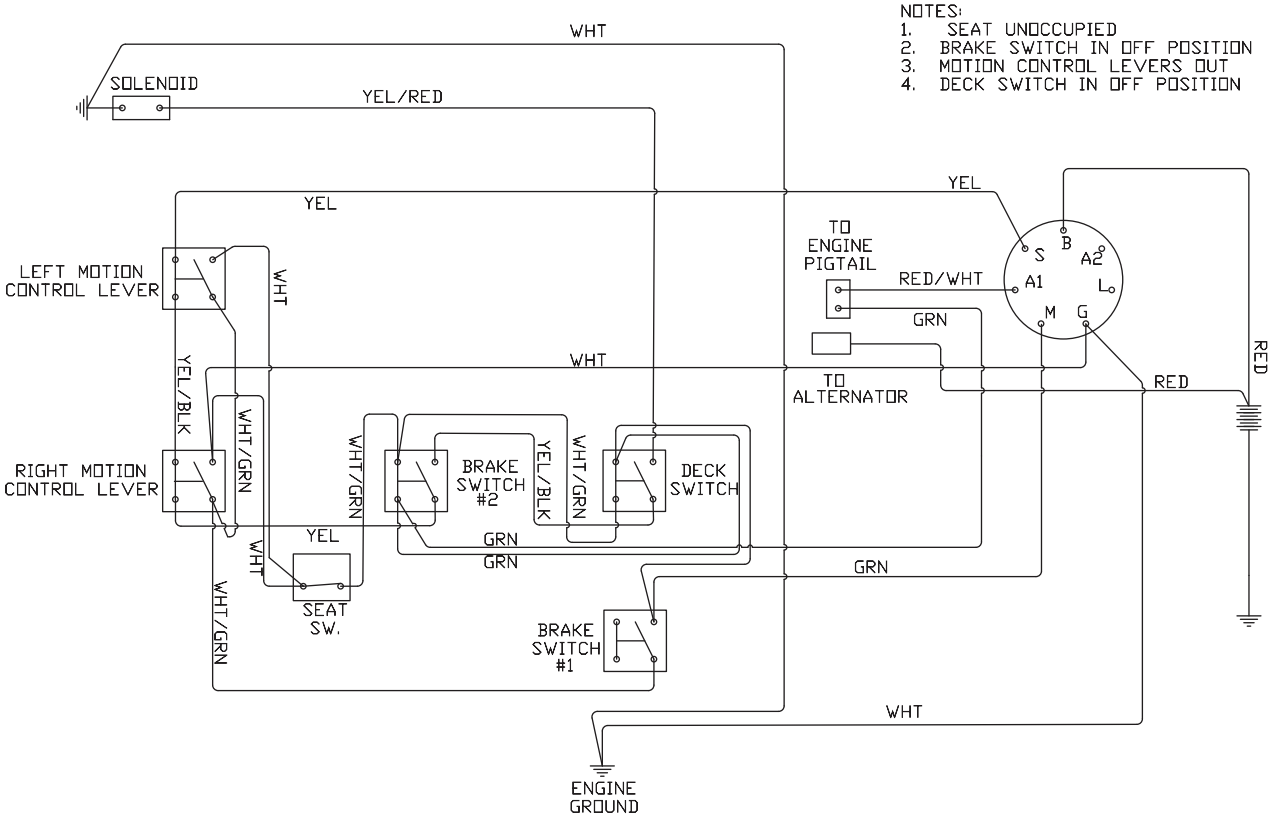
Service

When ordering spare parts, please specify the purchase year, model, type, and serial number.

Always use genuine Dixon spare parts.

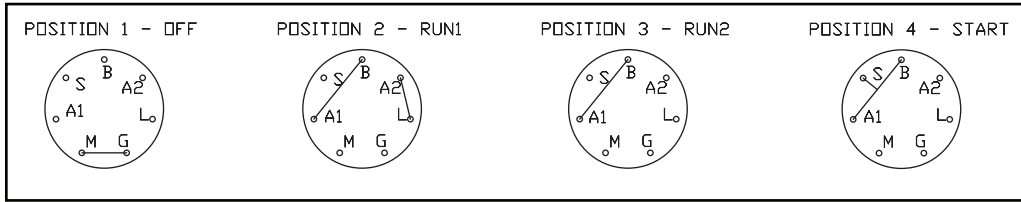
An annual checkup at an authorized service workshop is a good way to ensure that the machine performs its best the following season.

SCHEMATIC



- NOTES:
1. SEAT UNOCCUPIED
 2. BRAKE SWITCH IN OFF POSITION
 3. MOTION CONTROL LEVERS OUT
 4. DECK SWITCH IN OFF POSITION

KEY SWITCH POSITIONS



TECHNICAL DATA

Torque Specifications

| | | | |
|-------------------------|-------------------|--------------------------|-------------------|
| Engine crankshaft bolt | 75 ft/lb (100 Nm) | Standard 5/16" fasteners | 18 ft/lb (25 Nm) |
| Deck pulley bolts | 70 ft/lb (95 Nm) | Standard 3/8" fasteners | 33 ft/lb (44 Nm) |
| Lug nuts | 75 ft/lb (100 Nm) | Standard 7/16" fasteners | 52 ft/lb (70 Nm) |
| Blade bolt | 60 ft/lb (81 Nm) | Standard 1/2" fasteners | 80 ft/lb (110 Nm) |
| Standard 1/4" fasteners | 9 ft/lb (12 Nm) | | |

| HEX HEAD CAP SCREWS | | | | | | | |
|--|-------|-------------|------|-------------|------|--------------------------------------|----|
| The torque values shown should be used as a general guideline when specific torque values are not given. | | | | | | | |
| U.S. Standard Hardware | | | | | | | |
| Grade | | SAE Grade 5 | | SAE Grade 8 | | Flangelock Screw w/Flangelock Nut | |
| Shank Size (Diameter in inches, fine or coarse thread) | Size | ft./lbs | Nm | ft./lbs | Nm | ft./lbs | Nm |
| | 1/4 | 9 | 12 | 13 | 18 | | |
| | 5/16 | 18 | 24 | 28 | 38 | 24 | 33 |
| | 3/8 | 31 | 42 | 46 | 62 | 40 | 54 |
| | 7/16 | 50 | 68 | 75 | 108 | | |
| | 1/2 | 75 | 102 | 115 | 156 | | |
| | 9/16 | 110 | 150 | 165 | 224 | | |
| | 5/8 | 150 | 203 | 225 | 305 | | |
| | 3/4 | 250 | 339 | 370 | 502 | | |
| | 7/8 | 378 | 513 | 591 | 801 | | |
| | 1 1/8 | 782 | 1060 | 1410 | 1912 | | |

** Grade 5 - Minimum commercial quality (lower quality not recommended)

| Metric Standard Hardware | | | | | | | |
|---|------|-----------|-----|------------|-----|------------|------|
| Grade | | Grade 8.8 | | Grade 10.9 | | Grade 12.9 | |
| Shank Size (Diameter in millimeters, fine or coarse thread) | Size | ft./lbs | Nm | ft./lbs | Nm | ft./lbs | Nm |
| | M4 | 1.5 | 2 | 2.2 | 3 | 2.7 | 3.6 |
| | M5 | 3 | 4 | 4.5 | 6 | 5.2 | 7 |
| | M6 | 5.2 | 7 | 7.5 | 10 | 8.2 | 11 |
| | M7 | 8.2 | 11 | 12 | 16 | 15 | 20 |
| | M8 | 13.5 | 18 | 18.8 | 25 | 21.8 | 29 |
| | M10 | 24 | 32 | 35.2 | 47 | 43.5 | 58 |
| | M12 | 43.5 | 58 | 62.2 | 83 | 75 | 100 |
| | M14 | 70.5 | 94 | 100 | 133 | 119 | 159 |
| | M16 | 108 | 144 | 147 | 196 | 176 | 235 |
| | M18 | 142 | 190 | 202 | 269 | 242 | 323 |
| | M20 | 195 | 260 | 275 | 366 | 330 | 440 |
| | M22 | 276 | 368 | 390 | 520 | 471 | 628 |
| | M24 | 353 | 470 | 498 | 664 | 596 | 794 |
| | M27 | 530 | 707 | 474 | 996 | 904 | 1205 |

TECHNICAL DATA

| | |
|----------------------------------|---|
| Engine | |
| Manufacturer | Briggs & Stratton |
| Type | Professional |
| Power | 19 HP ¹⁾ |
| Lubrication | Pressure with oil filter |
| Fuel | Min 86 octane unleaded (Maxethanol 5%, Max MTBE 15%) |
| Fuel tank capacity | 3 gallons / 11.3 liters |
| Cooling | Air cooled |
| Air filter | Standard |
| Alternator | 12V / 16A |
| Starter | Electric 12V |
| Transmission | |
| Transmission | EZT Hydro Gear |
| Speed and direction controls | Dual levers, foam gripped |
| Speed forward | 6.5 mph / 10.5 km/h |
| Speed reverse | 3.3 mph / 5.3 km/h |
| Brakes | Mechanical parking brake |
| Front caster tires, smooth tread | 11 x 4-5 4 ply |
| Rear tires, turf pneumatic | 18 x 6.5-8 |
| Tire pressure | 15 PSI / 103 kPa / 1 bar |
| Equipment | |
| Cutting width | 42" |
| Cutting height | 1½" - 4" / 2.5 cm - 10.6 cm |
| Number of blades | 2 |
| Blade length | 21" / 53 cm |
| Sprung seat | Standard |
| Hinged armrests | Manual |
| Blade engagement | Stamped |
| Deck construction | Stamped |
| Productivity | |
| Output | 2.2 acres/hr / 8,903 m ² /hr |
| Overall dimensions | |
| Weight | 430 lbs / 195 kg |
| Base machine length | 66½" / 169 cm |
| Base machine height | 39¼" / 100 cm |
| Base machine width | 35½" / 90 cm |
| Overall width, chute up | 43" / 109 cm |
| Overall width, chute down | 58" / 147cm |

¹⁾ The power rating as declared by the engine manufacturer is the average gross power output at the specified RPM of a typical production engine for the engine model measured using SAE Standards for engine gross power. Refer to the engine manufacturer engine specifications.

CONFORMITY CERTIFICATES

USA Requirements

Labels are placed on the engine and/or in the engine compartment stating that the machine will fulfill the requirements. This is also applicable to special requirements for any of the states, (California emission rules etc.). Do not remove any of these labels.

Certificates can also be supplied with the machine at delivery or written in the Engine manual. Take care of them as they are valuable documents.

SERVICE JOURNAL

| Action | Date, mtr reading, stamp, sign |
|--|---|
| Delivery Service | |
| Charge the battery | <input type="checkbox"/> |
| Adjust the tire pressure of all wheels to 15 PSI (1 bar) | <input type="checkbox"/> |
| Mount the steering controls in the normal position | <input type="checkbox"/> |
| Connect the contact box to the cable for the seat's safety switch | <input type="checkbox"/> |
| Check that the right amount of oil is in the engine | <input type="checkbox"/> |
| Adjust the position of the steering controls | <input type="checkbox"/> |
| Fill with fuel and open the fuel shut off valve | <input type="checkbox"/> |
| Start the engine | <input type="checkbox"/> |
| Check that there is drive to both wheels | <input type="checkbox"/> |
| Check the mower deck adjustment | <input type="checkbox"/> |
| Check: | |
| Safety switch for the parking brake | <input type="checkbox"/> |
| Safety switch for the mower deck | <input type="checkbox"/> |
| Safety switch in the seat | <input type="checkbox"/> |
| Safety switch in the steering controls | <input type="checkbox"/> |
| Parking brake functionality | <input type="checkbox"/> |
| Driving forward | <input type="checkbox"/> |
| Driving backward | <input type="checkbox"/> |
| Engaging the blades | <input type="checkbox"/> |
| Check the idle speed | <input type="checkbox"/> |
| Check the engine high idle speed | <input type="checkbox"/> |
| Inform the customer about: | |
| Need and advantages of following the service schedule | <input type="checkbox"/> |
| Need and advantages of leaving the machine for service every 300 hours | <input type="checkbox"/> |
| Effects of service and maintaining a service journal on the machine's resale value | <input type="checkbox"/> |
| Application areas for mulching | <input type="checkbox"/> |
| Fill in the sales papers, etc | Delivery service has been carried out. No remaining notes. Certified: |

SERVICE JOURNAL

| Action | Date, mtr reading, stamp, sign |
|--|--|
| <p>After 5-10 Hours Change the engine oil</p> | <input type="checkbox"/> |
| Action | Date, mtr reading, stamp, sign |
| <p>25-Hour Service Check the fuel pump's air filter Sharpen/Replace mower blades if required Check the tire pressures Check battery cables Lubricate according to lubrication chart Check/clean the engine's cooling air intake Clean the air cleaner's foam pre-filter</p> | <input type="checkbox"/> <input type="checkbox"/> <input type="checkbox"/> <input type="checkbox"/> <input type="checkbox"/> <input type="checkbox"/> <input type="checkbox"/> |

SERVICE JOURNAL

| Action | Date, mtr reading, stamp, sign |
|---|---|
| <p>50-Hour Service</p> <p>Perform the 25-hour service</p> <p>Clean/replace the air cleaner's paper filter cartridge (shorter intervals for dusty operating conditions)</p> <p>Change engine oil</p> <p>Lubricate according to lubrication chart</p> <p>Check/adjust the parking brake</p> | <p><input type="checkbox"/></p> <p><input type="checkbox"/></p> <p><input type="checkbox"/></p> <p><input type="checkbox"/></p> <p><input type="checkbox"/></p> |
| <p>100-Hour Service</p> <p>Perform the 25-hour service</p> <p>Perform the 50-hour service</p> <p>Change the engine oil filter</p> <p>Clean/replace the spark plugs</p> <p>Replace the fuel filter</p> <p>Check V-belts</p> <p>Check tighten caster wheel axle bolts (every 200 hours)</p> <p>Change the air filter's paper cartridge</p> | <p><input type="checkbox"/></p> <p><input type="checkbox"/></p> <p><input type="checkbox"/></p> <p><input type="checkbox"/></p> <p><input type="checkbox"/></p> <p><input type="checkbox"/></p> <p><input type="checkbox"/></p> <p><input type="checkbox"/></p> |

SERVICE JOURNAL

| Action | Date, mtr reading, stamp, sign |
|---|--|
| <p>300-Hour Service</p> <p>Perform the 25-hour service</p> <p>Perform the 50-hour service</p> <p>Perform the 100-hour service</p> <p>Check/adjust the mower deck</p> <p>Clean the combustion chamber and grind the valve seats</p> <p>Check the engine valve clearance</p> <p>Replace the air cleaner's foam prefilter</p> | <input type="checkbox"/> <input type="checkbox"/> <input type="checkbox"/> <input type="checkbox"/> <input type="checkbox"/> <input type="checkbox"/> <input type="checkbox"/> |
| <p>At Least Once Each Year</p> <p>Clean the engine's cooling air intake (25 hours)</p> <p>Replace the air cleaner's foam pre-filter (300 hours)</p> <p>Replace the air filter's paper cartridge</p> <p>Change the engine oil (50 hours)</p> <p>Replace the engine oil filter (100 hours)</p> <p>Check/adjust the cutting height</p> <p>Check/adjust the parking brake (50 hours)</p> <p>Clean/Change the spark plugs (100 hours)</p> <p>Change the fuel filter (100 hours)</p> <p>Check the engine valve clearance</p> | <input type="checkbox"/> <input type="checkbox"/> <input type="checkbox"/> <input type="checkbox"/> <input type="checkbox"/> <input type="checkbox"/> <input type="checkbox"/> <input type="checkbox"/> <input type="checkbox"/> <input type="checkbox"/> |

DIXON®