

GARDENA® Robotic Lawn Mower R160

2013

Spare parts

Ersatzteile

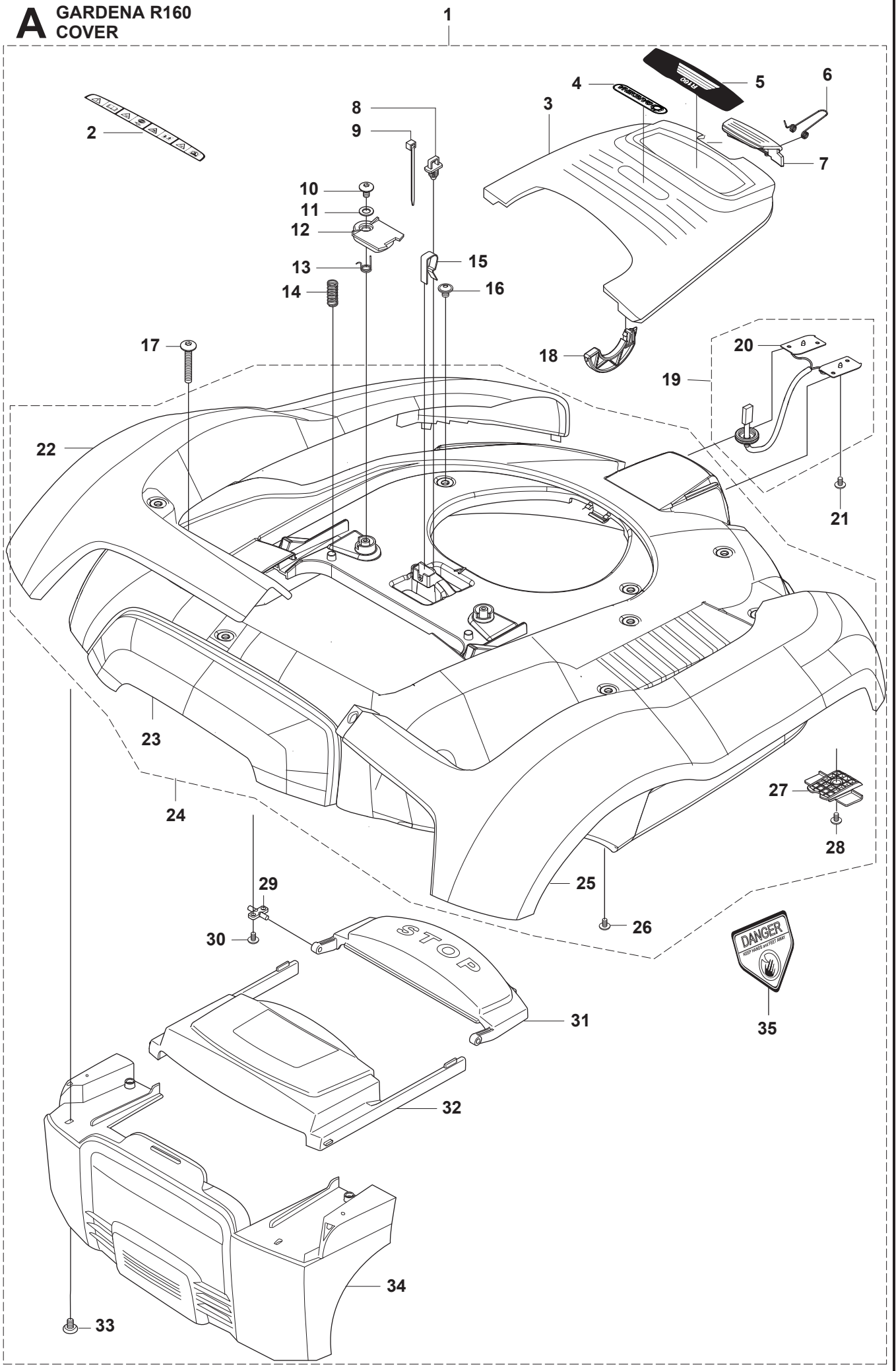
Pièces détachées

Reserve onderdelen

Repuestos

Reservdelar

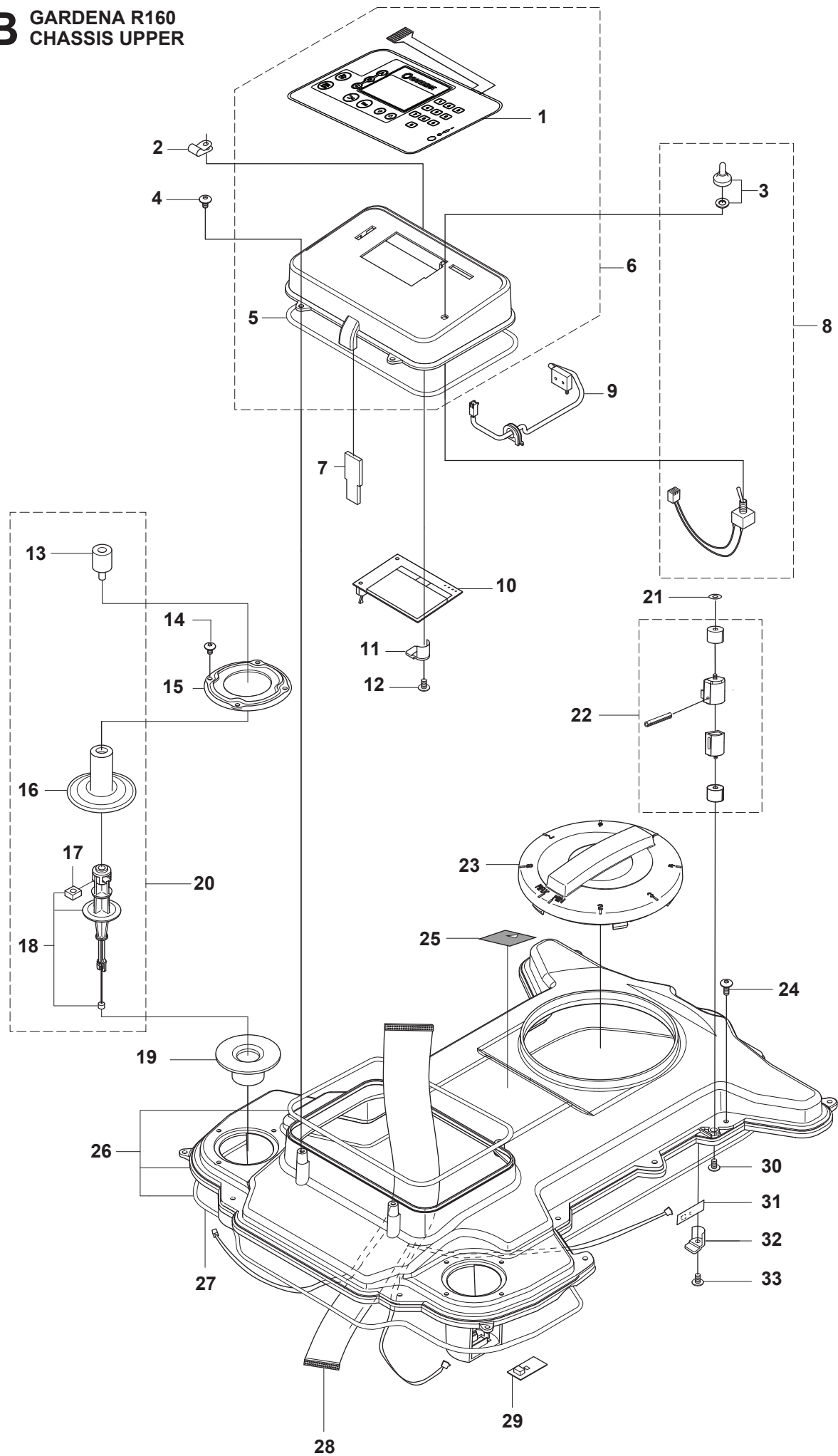
A GARDENA R160 COVER



Page A GARDENA R160 COVER

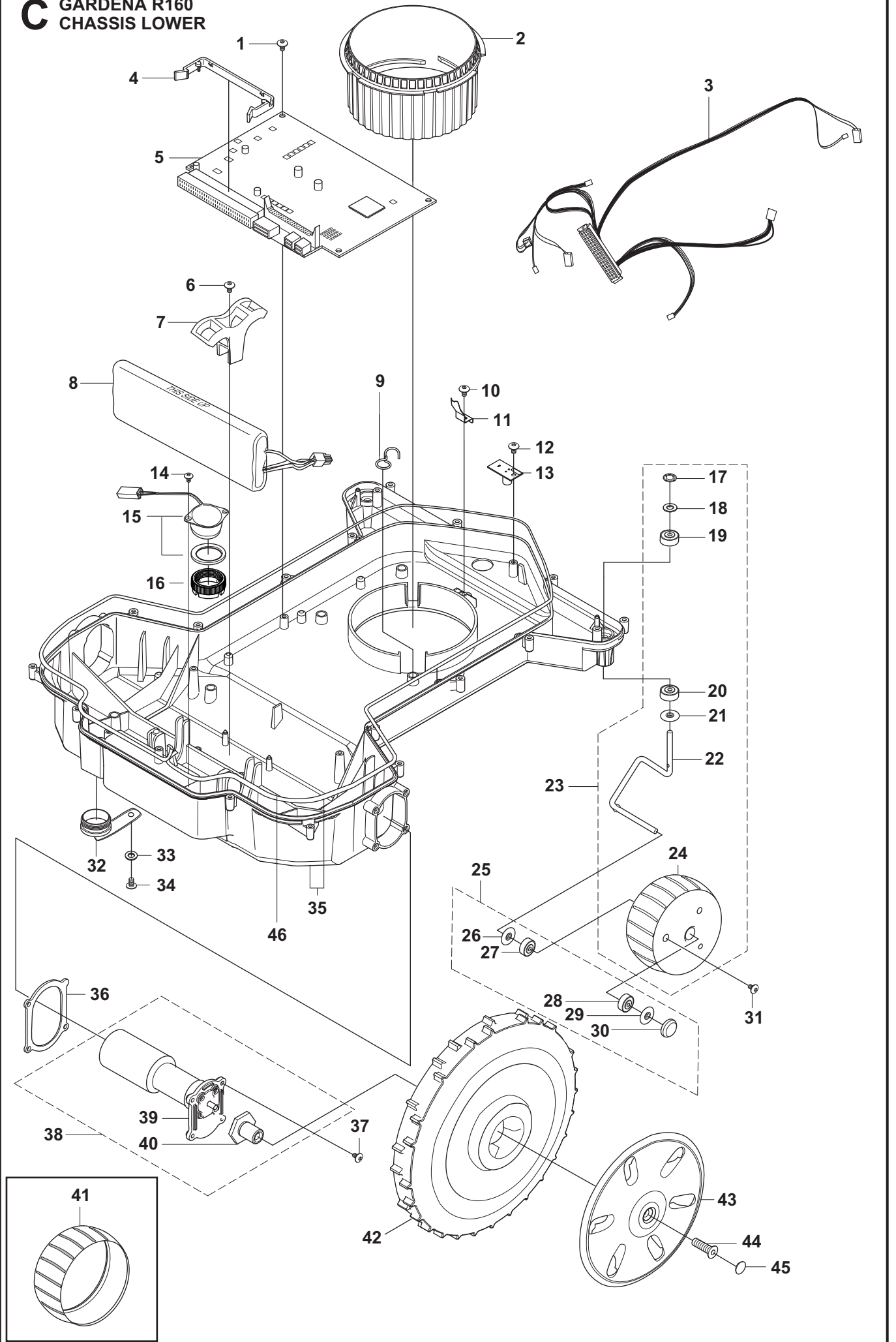
Position	Article	Quantity	Notes	Kit
1	581 08 04-02	1	BODY SYSTEM	
2	581 01 27-01	1	LABEL WARNING	
3	580 78 02-01	1	COVER	
4	577 97 19-01	1	DECAL GARDENA	
5	581 01 28-01	1	LABEL MODEL NAME	
6	583 95 16-01	1	TORSION SPRING	
7	580 78 03-01	1	LOCK SPRING	
8	535 13 04-01	1	ANCHOR	
9	900 23 87-08	1	TIE WRAP	
10	575 54 33-10	2	SCREW	
11	734 11 37-41	2	WASHER	
12	535 12 68-01	2	LOCK CLAMP	
13	535 13 02-01	2	TORSION SPRING	
14	535 13 01-01	2	SPRING	
15	535 08 98-01	1	CLIPS	
16	535 07 60-02	2	SCREW	
17	535 12 93-04	2	SCREW IHANM	
18	535 13 53-01	2	PIVOT	
19	535 13 73-01	1	WIRING compl	
20	535 13 59-01	2	CHARGING PLATE	19
21	575 54 33-06	2	SCREW	
22	580 78 06-01	1	COVER MAIN BODY LEFT	24
23	580 77 96-01	1	MAIN BODY	24
24	510 09 67-04	1	BODY compl	
25	580 78 06-02	1	COVER MAIN BODY RIGHT	24
26	575 54 33-14	11	SCREW	24
27	521 93 60-01	1	SPACER	24
28	575 54 33-12	1	SCREW	24
29	535 12 78-01	2	SHAFT	
30	575 54 33-10	4	SCREW	
31	535 12 67-03	1	STOP BUTTON	
32	535 12 66-02	1	HATCH	
33	575 54 33-14	2	SCREW	24
34	580 78 01-01	1	BUMPER	
35	581 06 05-01	1	DECAL US/AU/NZ	

B GARDENA R160 CHASSIS UPPER



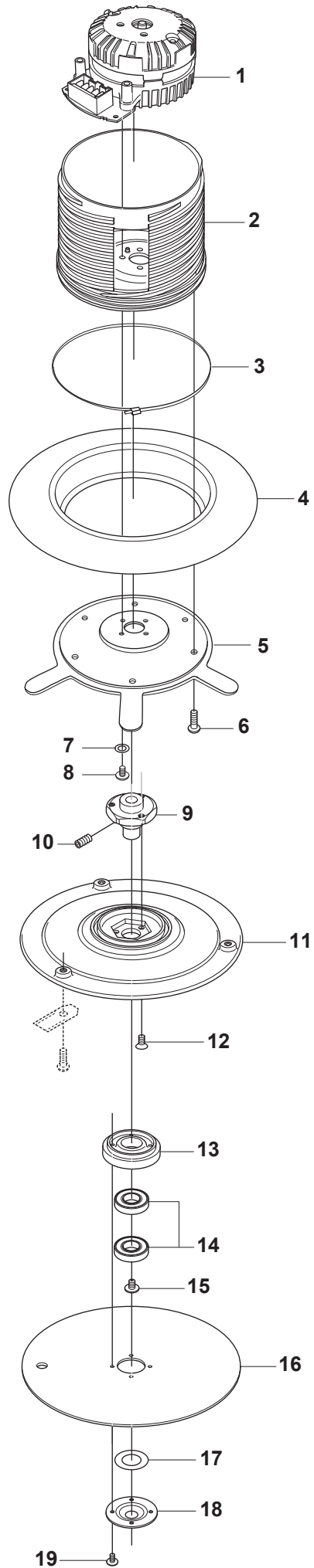
Position	Article	Quantity	Notes	Kit
1	581 06 03-01	1	KEYBOARD	6
2	577 52 72-01	1	CABLE CLAMP	
3	535 10 17-01	1	CAP	8
4	574 45 01-01	4	SCREW ITPANT	
5	575 98 63-01	1	SEALING STRIP (10 pcs)	6
5	574 87 47-02	1	SEALING STRIP	
6	575 94 42-05	1	DISPLAY COVER compl	
7	535 14 47-01	1	FILTER	
8	535 12 39-01	1	MAIN SWITCH compl	
9	577 59 23-01	1	SWITCH KIT	
10	540 06 03-01	1	DISPLAY	
11	535 12 79-01	1	BRACKET	
12	575 54 33-14	1	SCREW	
13	577 67 06-01	2	RUBBER DAMPER	20
14	575 54 33-14	8	SCREW	
15	505 17 43-01	2	RING FASTENER	
16	506 49 53-01	2	RUBBER GAITERS	20
17	503 22 66-01	2	SQUARE NUT	20
18	579 24 88-01	2	COLUMN	20
19	535 14 32-01	2	DEFLECTION LIMITER	
20	577 59 84-03	2	COLUMN compl	
21	510 74 70-00	1	LOCKWASHER	
22	544 14 15-01	1	SENSOR	
23	535 12 22-02	1	HEIGHT ADJUSTMENT KNOB	
24	574 45 01-01	16	SCREW ITPANT	
25	581 01 29-01	1	LABEL HEIGHT ADJUSTMENT	
26	575 94 38-01	1	CHASSIS	
27	575 98 62-01	1	SEALING STRIP (10 pcs)	
27	574 87 47-01	1	SEALING STRIP	
28	544 12 69-01	1	WIRING	
29	578 78 90-01	2	PRINTED CIRCUIT ASSY	
30	535 07 60-02	2	SCREW	
31	578 78 90-01	1	PRINTED CIRCUIT ASSY	
32	535 12 79-01	1	BRACKET	
33	575 54 33-14	1	SCREW	

C GARDENA R160 CHASSIS LOWER



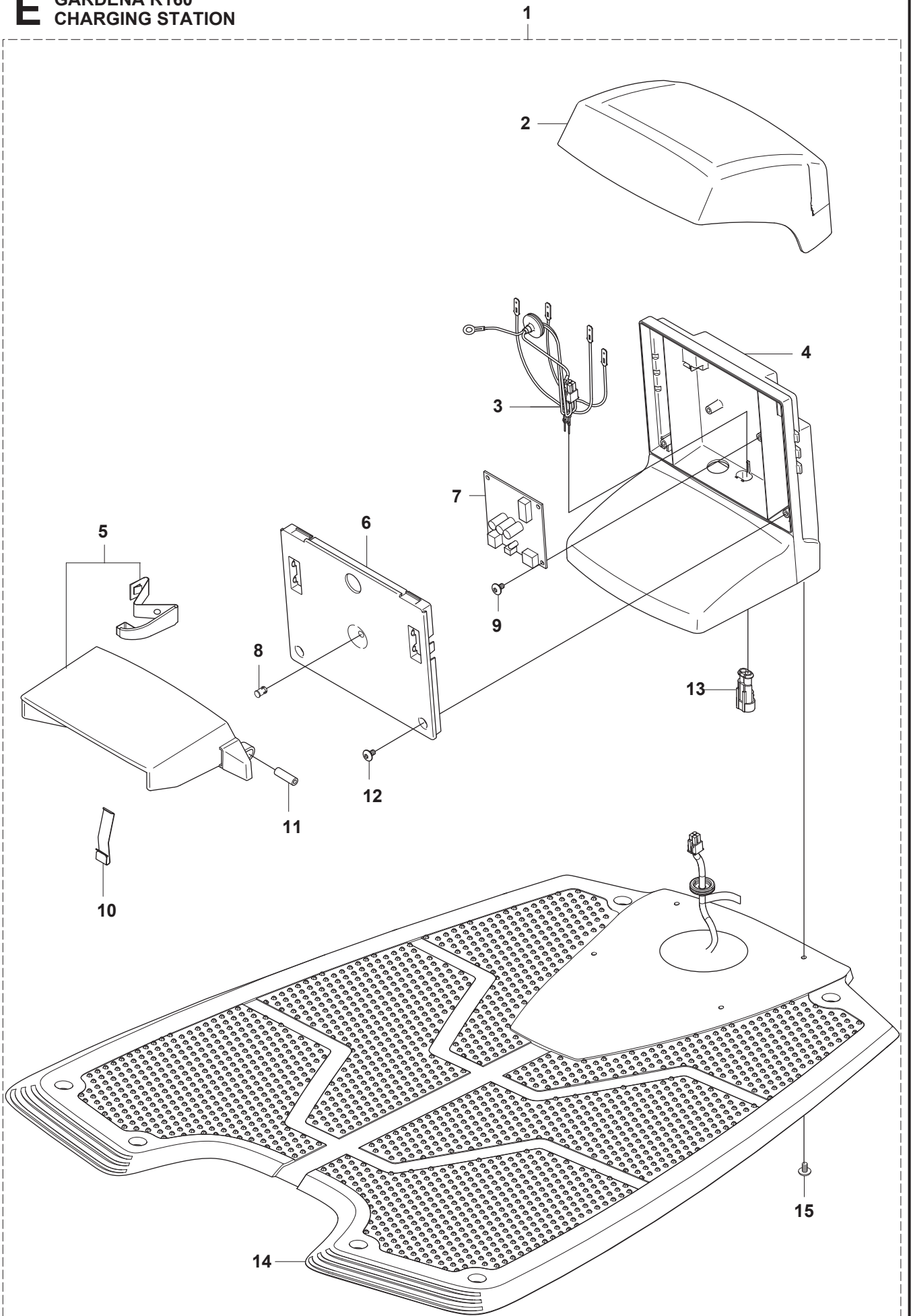
Position	Article	Quantity	Notes	Kit
1	575 54 33-10	4	SCREW	
2	535 12 21-02	1	NUT	
3	501 00 37-03	1	MAIN WIRING	
4	578 05 61-01	1	CLIP	
4	578 05 61-02	50	CLIP	
5	581 09 04-01	1	PRINTED CIRCUIT ASSY	
6	575 54 33-14	2	SCREW	
7	544 90 78-01	2	BRACKET	
8	535 12 09-01	1	BATTERY	
9	535 13 96-01	1	CABLE HOLDER	
10	535 13 03-14	1	SCREW ITPANT	
11	535 12 24-01	1	LOCKING SPRING	
12	575 54 33-10	2	SCREW	
13	578 78 88-01	2	PRINTED CIRCUIT ASSY	
14	502 85 96-01	2	SCREW	
15	501 00 42-01	1	BUZZER	
16	579 52 12-01	1	NUT	
17	735 58 41-09	2	WASHER	23
18	734 11 52-09	2	WASHER	23
19	522 50 50-01	2	BALL BEARING	23
20	522 50 50-01	2	BALL BEARING	23
21	535 08 78-02	2	WASHER	23
22	522 50 48-01	2	SPINDLE	23
23	522 66 45-02	1	KIT compl	
24	575 23 17-01	2	WHEEL ASSY	23
25	523 34 37-01	1	BEARING KIT compl	23
26	535 08 78-02	2	WASHER	23,25
27	522 50 50-01	2	BALL BEARING	23,25
28	522 50 50-01	2	BALL BEARING	23,25
29	535 08 78-02	2	WASHER	23,25
30	521 93 31-01	2	COVER WASHER	23,25
31	575 50 76-01	6	SCREW ITPANT	
32	574 42 74-02	1	PLUG	
33	734 11 37-41	1	WASHER	
34	575 54 33-14	1	SCREW	
35	575 94 39-01	1	CHASSIS	
36	535 13 92-03	2	GASKET	
37	575 54 33-16	8	SCREW	
38	502 63 36-01	2	DRIVE MOTOR compl	
39	502 49 81-01	1	GABLE	38
40	544 90 68-02	1	HUB	38
41	574 44 98-01	2	WHEEL	
42	544 90 58-03	2	REAR WHEEL	
43	580 78 07-01	2	HUB CAP	
44	535 13 94-01	2	SCREW IHCSFM	
45	504 20 08-01	2	COVER WASHER	
46	575 98 62-01	1	SEALING STRIP (10 pcs)	
46	574 87 47-01	1	SEALING STRIP	

D GARDENA R160
BLADE MOTOR
& CUTTING EQUIPMENT



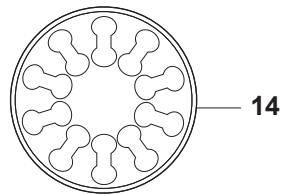
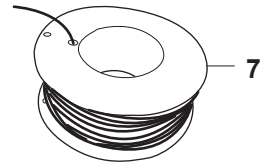
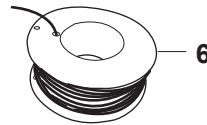
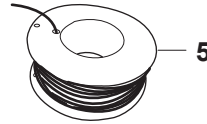
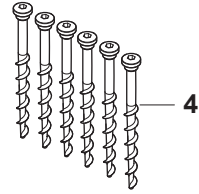
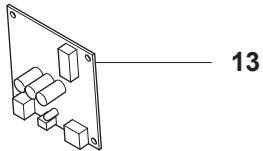
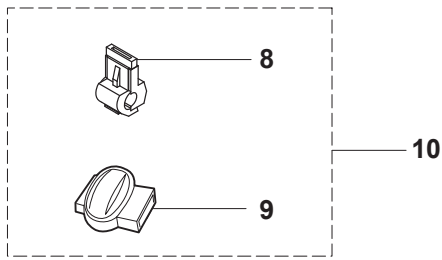
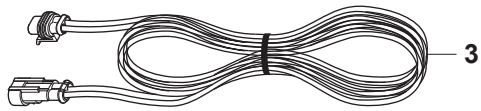
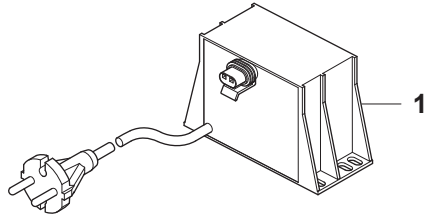
Position	Article	Quantity	Notes	Kit
1	535 12 36-01	1	CUTTING MOTOR	
2	510 14 41-01	1	MOTOR BOWL	
3	525 25 14-01	1	TIE WRAP	
4	535 12 23-01	1	RUBBER GAITERS	
5	522 77 15-02	1	PLATE	
6	575 54 33-14	6	SCREW	
7	734 11 37-41	4	WASHER	
8	502 23 91-01	4	SCREW	
9	535 07 55-01	1	HUB	
10	728 82 85-01	1	SCREW IHSETM	
11	535 12 63-01	1	BLADE DISK	11
12	535 13 05-01	3	SCREW	11
13	535 12 64-01	1	BEARING BOX	
14	535 07 57-02	1	BALL BEARING	
15	535 07 60-01	1	SCREW	
16	535 07 59-01	1	SKID PLATE	
17	535 08 25-01	1	GASKET	
18	535 08 15-01	1	COVER WASHER	
19	575 54 33-10	4	SCREW	

E GARDENA R160
CHARGING STATION



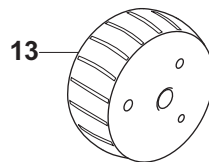
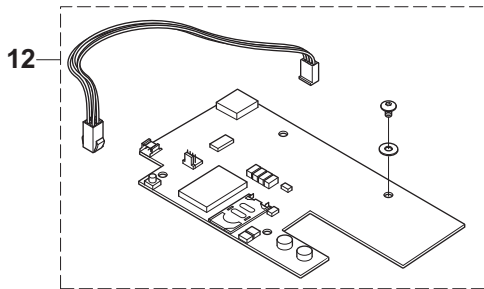
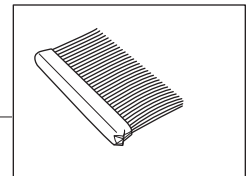
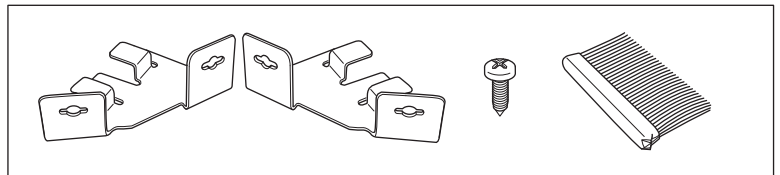
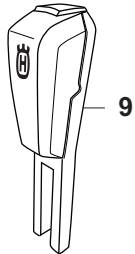
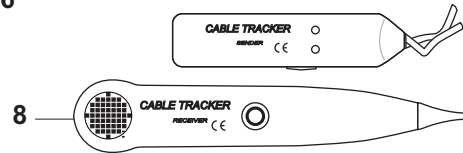
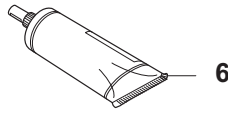
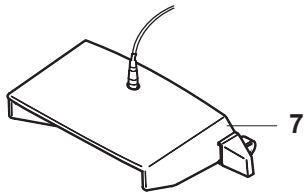
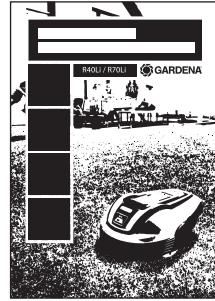
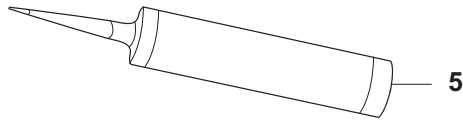
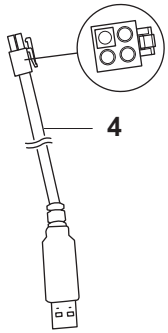
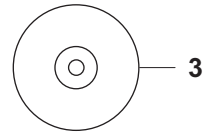
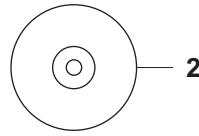
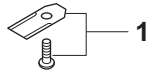
Position	Article	Quantity	Notes	Kit
1	574 90 20-12	1	CHARGING STATION	
2	580 78 08-01	1	COVER	
3	544 98 38-06	1	WIRING ASSY	
4	574 82 75-02	1	BODY	
5	510 05 97-02	1	KIT, CHARGING PLATE	
6	535 12 44-02	1	CAP	
7	578 78 84-01	1	PRINTED CIRCUIT ASSY	
8	535 12 87-02	1	DIODE LENS	
9	575 54 33-10	2	SCREW	
10	535 12 86-01	2	SPRING PLATE	
11	535 12 50-01	2	PIN	
12	575 54 33-14	2	SCREW	
13	535 12 85-01	1	CONTACT HOUSING	
14	575 23 16-02	1	ANTENNA PLATE	
15	575 54 33-14	4	SCREW	

F GARDENA R160 ACCESSORIES



Position	Article	Quantity	Notes	Kit
1	535 12 37-01	1	TRANSFORMER (EU)	
1	535 12 37-02	1	TRANSFORMER (UK/IRL)	
1	535 12 37-03	1	TRANSFORMER (CH)	
1	535 12 37-04	1	TRANSFORMER (US/MX)	
1	535 12 37-05	1	TRANSFORMER (AU/NZ)	
2	966 80 98-01	1	STAPLES (100pcs), Gardena blister pack	
2	Gardena 4090-20	1	STAPLES (100pcs), Gardena blister pack	
3	535 12 73-05	1	WIRING (20m)	
4	575 23 86-01	1	SCREW KIT, 6pcs	
4	575 23 86-02	1	ANCHOR SCREW (3pcs) incl. Allen key	
5	966 80 96-01	1	LOOP WIRE (150m), Gardena blister pack	
5	Gardena 4088-20	1	LOOP WIRE (150m), Gardena blister pack	
6	501 98 03-01	1	LOOP WIRE (250m)	
7	522 91 41-01	1	LOOP WIRE (500m, Ø3.4 mm)	
8	535 12 90-01	1	LOOP WIRE CONNECTOR	
9	501 98 02-01	1	SPLICE (1pcs)	
9	501 98 02-02	1	SPLICE KIT (50pcs)	
10	966 80 97-01	1	2 CONNECTORS+6 SPLICES, Gardena blister	
10	Gardena 4089-20	1	2 CONNECTORS+6 SPLICES, Gardena blister	
10	579 04 81-01	1	5 CONNECTORS+5 SPLICES	
11	581 06 04-01	1	MEASURING TAPE	
12	535 13 16-01	1	LABEL	
13	584 82 20-01	1	CS CB Thunder lightning protection	
14	581 84 28-01	1	STICKER, Cable markers	

G GARDENA R160 ACCESSORIES



Position	Article	Quantity	Notes	Kit
1	966 80 95-01	1	BLADE, Gardena blister pack, 9pcs	
1	Gardena 4087-20	1	BLADE, Gardena blister pack, 9pcs	
1	535 13 88-02	1	BLADE, 30pcs	
1	505 12 78-02	1	BLADE, 500pcs	
2	581 12 56-01	1	INSTALLATION DVD	
3	577 85 81-02	1	AUTOCHECK DVD	
4	535 13 23-02	1	SERVICE CABLE (USB)	
5	578 05 13-02	1	GREASE TUBE, Yellow (300 ml)	
5	579 38 19-02	1	GREASE TUBE, Transparent (300 ml)	
6	578 05 13-01	1	GREASE TUBE, Yellow (85 ml)	
6	579 38 19-01	1	GREASE TUBE, Transparent (85 ml)	
7	522 73 65-01	1	ADAPTER PIN code transfer unit	
8	577 60 68-01	1	INTERRUPTION DETECTOR	
9	522 42 58-01	1	SIGNAL BOOSTER	
10	505 13 27-01	1	BRUSH KIT, Incl Brush, 6pcs	
11	505 13 28-02	1	BRUSH, 6pcs	
12	575 24 24-02	1	GPS UNIT compl GPS module	
13	575 23 17-02	1	HEAVY WHEEL (400G)	
14	115 59 11-01	1	OPERATOR'S MANUAL, Swedish	
14	115 59 11-06	1	OPERATOR'S MANUAL, Danish	
14	115 59 11-11	1	OPERATOR'S MANUAL, Finnish	
14	115 59 11-21	1	OPERATOR'S MANUAL, Norwegian	
14	115 59 11-31	1	OPERATOR'S MANUAL, French	
14	115 59 11-36	1	OPERATOR'S MANUAL, Dutch	
15	115 49 68-01	1	QUICK GUIDE, Swedish	
15	115 49 68-06	1	QUICK GUIDE, Danish	
15	115 49 68-11	1	QUICK GUIDE, Finnish	
15	115 49 68-21	1	QUICK GUIDE, Norwegian	
15	115 49 68-31	1	QUICK GUIDE, French	
15	115 49 68-36	1	QUICK GUIDE, Dutch	