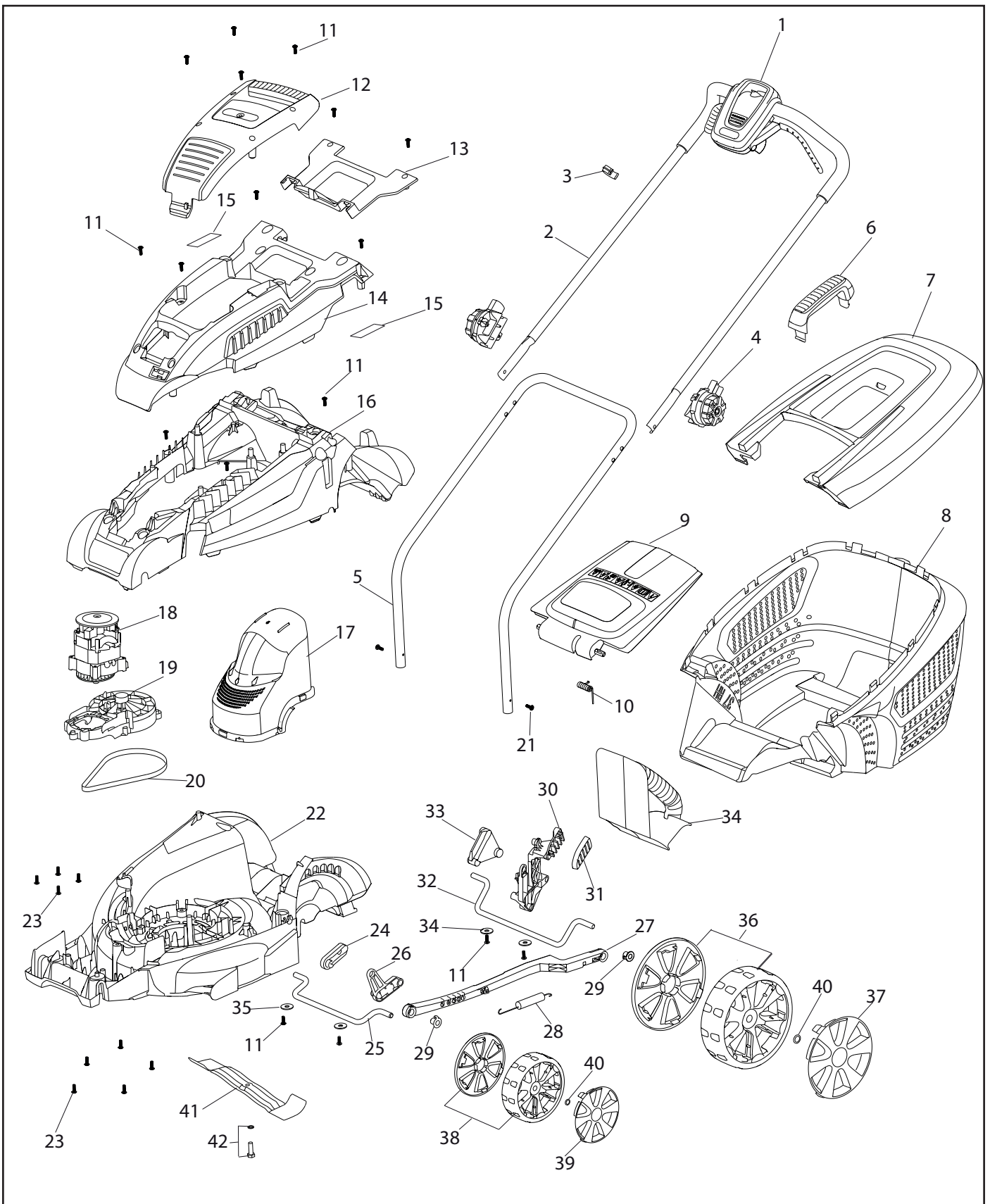


IPL, Gardena 37E, Powermax, 9672495-01, 9672495-22, 4075-20, 4075-22

IPL, Gardena 42E, Powermax, 9672496-01, 9672496-22, 4076-20, 4076-22

Publication Number

AP1404005 replaces AP1311010



IPL, Gardena 37E, Powermax, 9672495-01, 9672495-22, 4075-20, 4075-22
 IPL, Gardena 42E, Powermax, 9672496-01, 9672496-22, 4076-20, 4076-22
 AP1404005 replaces AP1311010

Publication Number

| Item | Part Number | Description | Qty | Note |
|------|---------------|---------------------------|-----|-------------|
| 1 | 584 90 48-01 | SWITCHBOX ASSY EU | 1 | EU |
| 1 | 585 03 48-01 | SWITCHBOX ASSY CH | 1 | CH |
| 2 | 581 22 02-10 | UPPER HANDLE | 1 | |
| 3 | 513 85 74-00 | CABLE CLIP | 2 | |
| 4 | 586 17 01-01 | TILT ADJUSTER KIT | 2 | |
| 5 | 581 22 01-06 | LOWER HANDLE | 1 | 37E |
| 5 | 581 22 00-06 | LOWER HANDLE | 1 | 42E |
| 6 | 510 31 04-01 | GRASSBOX HANDLE | 1 | |
| 7 | 579 14 59-01 | GRASSBOX LID ASSY | 1 | Inc. Handle |
| 8 | 581 21 96-02 | GRASSBOX | 1 | 37E |
| 8 | 581 21 97-02 | GRASSBOX | 1 | 42E |
| 9 | 577 98 64-01 | SAFETY FLAP | 1 | |
| 10 | 505 47 43-01 | SAFETY FLAP SPRING | 1 | |
| 11 | 577 71 38-01 | SCREW KIT | 14 | Pack of 5 |
| 12 | 586 17 00-01 | HANDLE COWL | 1 | |
| 13 | 577 98 63 -02 | REAR COVER | 1 | |
| 14 | 577 98 66-04 | MOTOR COVER | 1 | |
| 15 | 586 18 93-01 | FOAM FILTER | 2 | |
| 16 | 585 24 67-02 | UPPER DECK | 1 | 37E |
| 16 | 581 21 94-02 | UPPER DECK | 1 | 42E |
| 17 | 578 90 62-67 | FILTER MOTOR | 1 | 37E |
| 17 | 584 88 29-67 | FILTER MOTOR | 1 | 42E |
| 18 | 511 78 99-96 | MOTOR BRAKED | 1 | 37E |
| 18 | 511 78 99-97 | MOTOR BRAKED | 1 | 42E |
| 19 | 578 87 90-02 | DRIVE ASSY UNBRAKED | 1 | 37E |
| 19 | 578 87 82-02 | DRIVE ASSY UNBRAKED | 1 | 42E |
| 20 | 575 50 26-01 | BELT J6 | 1 | |
| 21 | 513 10 37-12 | FIXING KIT BAGGED | 2 | Pack of 2 |
| 22 | 581 21 74-02 | LOWER DECK | 1 | 37E |
| 22 | 581 21 75-02 | LOWER DECK | 1 | 42E |
| 23 | 577 29 86-01 | SCREW KIT | 9 | Pack of 5 |
| 24 | 575 58 21-67 | AXLE SPACER RH FRONT | 1 | |
| 25 | 575 58 36-01 | FRONT AXLE | 1 | 37E |
| 25 | 585 26 53-01 | FRONT AXLE | 1 | 42E |
| 26 | 575 58 20-67 | AXLE SPACER LH FRONT | 1 | |
| 27 | 575 58 23-01 | ROD LINK | 1 | |
| 28 | 510 80 51-00 | ROD LINK SPRING | 1 | |
| 29 | 513 10 91-67 | PIVOT PIN | 2 | |
| 30 | 581 21 81-02 | ARM HEIGHT ADJUST | 1 | |
| 31 | 581 21 82-03 | COVER HEIGHT ADJUST ARM | 1 | |
| 32 | 585 26 54-01 | REAR AXLE | 1 | 37E |
| 32 | 581 21 79-01 | REAR AXLE | 1 | 42E |
| 33 | 581 21 80-67 | AXLE SPACER RH REAR | 1 | |
| 34 | 581 22 08-02 | MULCH PLUG | 1 | |
| 35 | 513 91 89-00 | WASHER | 4 | |
| 36 | 586 17 05-01 | REAR WHEEL ASSY | 2 | 37E |
| 36 | 586 17 08-01 | REAR WHEEL ASSY | 2 | 42E |
| 37 | 577 98 83-06 | REAR HUB CAP (SILVER) | 2 | |
| 38 | 586 17 04-01 | FRONT WHEEL ASSY | 2 | 37E |
| 38 | 586 17 10-01 | FRONT WHEEL ASSY | 2 | 42E |
| 39 | 581 21 89-06 | FRONT HUB CAP (SILVER) | 2 | |
| 40 | 577 71 37-01 | STARLOCK WASHER | 4 | Pack of 4 |
| 41 | 585 30 70-01 | BLADE 37CM (Art. 4016-20) | 1 | |
| 41 | 585 20 69-01 | BLADE 42CM (Art. 4017-20) | 1 | |
| 42 | 577 71 39-01 | BLADE BOLT & WASHER | 1 | |
| * | 512 83 12-34 | LOOSE PARTS PACK | 1 | |