

Gasoline containing up to 10% ethanol (E10) is acceptable for use in this machine. The use of any gasoline exceeding 10% ethanol (E10) will void the product warranty.

Esta máquina puede utilizar gasolina con un contenido de hasta el 10% de etanol (E10). El uso de una gasolina que supere el 10% de etanol (E10) anulará la garantía del producto.

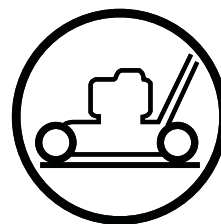
115 63 11-96



Operator's Manual Manual de Operario HU725BBC / 961430094

Please read the operator's manual carefully and make sure you understand the instructions before using the machine.

Por favor lea cuidadosamente y comprenda estas instrucciones antes de usar esta máquina.



English/Español



SAFETY RULES



Safe Operation Practices for Walk-Behind Mowers

IMPORTANT: THIS CUTTING MACHINE IS CAPABLE OF AMPUTATING HANDS AND FEET AND THROWING OBJECTS. FAILURE TO OBSERVE THE FOLLOWING SAFETY INSTRUCTIONS COULD RESULT IN SERIOUS INJURY OR DEATH.



Look for this symbol to point out important safety precautions. It means **CAUTION!!! BECOME ALERT!!! YOUR SAFETY IS INVOLVED.**



CAUTION: Always disconnect spark plug wire and place wire where it cannot contact spark plug in order to prevent accidental starting when setting up, transporting, adjusting or making repairs.



CAUTION: Muffler and other engine parts become extremely hot during operation and remain hot after engine has stopped. To avoid severe burns on contact, stay away from these areas.

▲WARNING: This lawn mower is equipped with an internal combustion engine and should not be used on or near any unimproved forest-covered, brush-covered or grass-covered land unless the engine's exhaust system is equipped with a spark arrester meeting applicable local or state laws (if any). If a spark arrester is used, it should be maintained in effective working order by the operator. A spark arrester for the muffler is available through your nearest authorized service center.

▲WARNING: Engine exhaust, some of its constituents, and certain vehicle components contain or emit chemicals known to the State of California to cause cancer and birth defects or other reproductive harm.

▲WARNING: Battery posts, terminals and related accessories contain lead and lead compounds, chemicals known to the State of California to cause cancer and birth defects or other reproductive harm. Wash hands after handling.

I. GENERAL OPERATION

- Read, understand, and follow all instructions on the machine and in the manual(s) before starting. Be thoroughly familiar with the controls and the proper use of the machine before starting.
- Do not put hands or feet near or under rotating parts. Keep clear of the discharge opening at all times.
- Only allow responsible individuals, who are familiar with the instructions, to operate the machine.
- Clear the area of objects such as rocks, toys, wire, bones, sticks, etc., which could be picked up and thrown by the blade.
- Be sure the area is clear of other people before mowing. Stop machine if anyone enters the area.
- Do not operate the mower when barefoot or wearing open sandals. Always wear substantial foot wear.
- Do not pull mower backwards unless absolutely necessary. Always look down and behind before and while moving backwards.
- Never direct discharged material toward anyone. Avoid discharging material against a wall or obstruction. Material may ricochet back toward the operator. Stop the blade when crossing gravel surfaces.
- Do not operate the mower without proper guards, plates, grass catcher or other safety protective devices in place.

- See manufacturer's instructions for proper operation and installation of accessories. Only use accessories approved by the manufacturer.
- Stop the blade(s) when crossing gravel drives, walks, or roads.
- Stop the engine (motor) whenever you leave the equipment, before cleaning the mower or unclogging the chute.
- Shut the engine (motor) off and wait until the blade comes to complete stop before removing grass catcher.
- Mow only in daylight or good artificial light.
- Do not operate the machine while under the influence of alcohol or drugs.
- Never operate machine in wet grass. Always be sure of your footing: keep a firm hold on the handle and walk; never run.
- Disengage the self-propelled mechanism or drive clutch on mowers so equipped before starting the engine (motor).
- If the equipment should start to vibrate abnormally, stop the engine (motor) and check immediately for the cause. Vibration is generally a warning of trouble.
- Always wear safety goggles or safety glasses with side shields when operating mower.

II. SLOPE OPERATION

Slopes are a major factor related to slip and fall accidents which can result in severe injury. All slopes require extra caution. If you feel uneasy on a slope, do not mow it.

DO:

- Mow across the face of slopes: never up and down. Exercise extreme caution when changing direction on slopes.
- Remove obstacles such as rocks, tree limbs, etc.
- Watch for holes, ruts, or bumps. Tall grass can hide obstacles.

DO NOT:

- Do not trim near drop-offs, ditches or embankments. The operator could lose footing or balance.
- Do not trim excessively steep slopes.
- Do not mow on wet grass. Reduced footing could cause slipping.

III. CHILDREN

Tragic accidents can occur if the operator is not alert to the presence of children. Children are often attracted to the machine and the mowing activity. *Never* assume that children will remain where you last saw them.

- Keep children out of the trimming area and under the watchful care of another responsible adult.
- Be alert and turn machine off if children enter the area.
- Before and while walking backwards, look behind and *down* for small children.
- Never allow children to operate the machine.
- Use extra care when approaching blind corners, shrubs, trees, or other objects that may obscure vision.

▲WARNING: CHILDREN CAN BE INJURED BY THIS EQUIPMENT. The American Academy of Pediatrics recommends that children be a minimum of 12 year of age before operating a pedestrian controlled lawn mower and a minimum of 16 years of age before operating a riding lawn mower.

- When loading or unloading this machine, do not exceed the maximum recommended operation angle of 15°.
- Wear proper Personal Protective Equipment (PPE) while operating this machine, including (at a minimum) sturdy footwear, eye protection, and hearing protection. Do not mow in shorts or open toed footwear.

Always let someone know you are outside mowing.

IV. SAFE HANDLING OF GASOLINE

Use extreme care in handling gasoline. Gasoline is extremely flammable and the vapors are explosive.

- Extinguish all cigarettes, cigars, pipes and other sources of ignition.
- Use only an approved container.
- Never remove gas cap or add fuel with the engine running. Allow engine to cool before refueling.
- Never refuel the machine indoors.
- Never store the machine or fuel container where there is an open flame, spark or pilot light such as a water heater or on other appliances.
- Never fill containers inside a vehicle, on a truck or trailer bed with a plastic liner. Always place containers on the ground away from your vehicle before filling.
- Remove gas-powered equipment from the truck or trailer and refuel it on the ground. If this is not possible, then refuel such equipment with a portable container, rather than from a gasoline dispenser nozzle.
- Keep the nozzle in contact with the rim of the fuel tank or container opening at all times until fueling is complete. Do not use a nozzle lock-open device.

- If fuel is spilled on clothing, change clothing immediately.
- Never overfill fuel tank. Replace gas cap; tighten securely.

V. GENERAL SERVICE

- Never run a machine inside a closed area.
- Never make adjustments or repairs with the engine (motor) running. Disconnect spark plug wire, and keep wire away from plug to prevent accidental starting.
- Keep nuts and bolts, especially blade attachment bolts, tight and keep equipment in good condition.
- Never tamper with safety devices. Check their proper operation regularly.
- Keep machine free of grass, leaves, or other debris build-up. Clean oil or fuel spillage. Allow machine to cool before storing.
- Stop and inspect the equipment if you strike an object. Repair, if necessary, before restarting.
- Never attempt to make wheel height adjustments while the engine (motor) is running.
- Grass catcher components are subject to wear, damage, and deterioration, which could expose moving parts or allow objects to be thrown. Frequently check components and replace with manufacturer's recommended parts, when necessary.
- Mower blade is sharp and can cut. Wrap the blade or wear gloves, and use extra caution when servicing it.
- Do not change the engine governor setting or overspeed the engine.
- Maintain or replace safety and instruction labels, as necessary.

CONGRATULATIONS on your purchase of a new lawn mower. It has been designed, engineered and manufactured to give you the best possible dependability and performance.

Should you experience any problem you cannot easily remedy, please contact your nearest Husqvarna or other authorized service center/department. We have competent, well-trained technicians and the proper tools to service or repair this lawn mower.

Please read and retain this manual. The instructions will enable you to assemble and maintain your lawn mower properly. Always observe the "SAFETY RULES".

<p>SERIAL NUMBER: _____</p> <p>DATE OF PURCHASE: _____</p> <p>THE MODEL AND SERIAL NUMBERS WILL BE FOUND ON A DECAL ATTACHED TO THE REAR OF THE LAWN MOWER HOUSING.</p> <p>YOU SHOULD RECORD BOTH SERIAL NUMBER AND DATE OF PURCHASE AND KEEP IN A SAFE PLACE FOR FUTURE REFERENCE.</p>

PRODUCT SPECIFICATIONS

Gasoline Capacity and Type:	1.6 Quarts (Unleaded Regular Only)
Oil Type (API SG-SL):	SAE 30 (above 0°C/32°F); SAE 5W-30 (below 0°C/32°F)
Oil Capacity:	18 Ounces
Spark Plug (Gap: 0.020"):	Champion RJ2YLE
Blade Bolt Torque:	35-40 ft. lbs.

CUSTOMER RESPONSIBILITIES

- Read and observe the safety rules.
- Follow a regular schedule in maintaining, caring for and using your lawn mower.
- Follow the instructions under "Maintenance" and "Storage" sections of this owner's manual.

TABLE OF CONTENTS

SAFETY RULES	2-3
PRODUCT SPECIFICATIONS.....	3
CUSTOMER RESPONSIBILITIES.....	3
ASSEMBLY.....	4-5
OPERATION	6-11

MAINTENANCE SCHEDULE	12
MAINTENANCE.....	12-15
SERVICE AND ADJUSTMENTS	15-16
STORAGE.....	16-17
TROUBLESHOOTING	17-18
WARRANTY.....	19-22

ASSEMBLY

Read these instructions and this manual in its entirety before you attempt to assemble or operate your new lawn mower.

IMPORTANT: THIS LAWN MOWER IS SHIPPED WITHOUT OIL OR GASOLINE IN THE ENGINE.

Your new lawn mower has been assembled at the factory with the exception of those parts left unassembled for shipping purposes. All parts such as nuts, washers, bolts, etc., necessary to complete the assembly have been placed in the parts bag. To ensure safe and proper operation of your lawn mower, all parts and hardware you assemble must be tightened securely. Use the correct tools as necessary to ensure proper tightness.

TO REMOVE LAWN MOWER FROM CARTON

1. Remove loose parts included with mower.
2. Cut down two end corners of carton and lay end panel down flat.
3. Remove all packing materials except padding between upper and lower handle and padding holding operator presence control bar to upper handle.
4. Roll lawn mower out of carton and check carton thoroughly for additional loose parts.

HOW TO SET UP YOUR LAWN MOWER TO UNFOLD HANDLE (See Figs. 1 and 2)

IMPORTANT: UNFOLD HANDLE CAREFULLY SO AS NOT TO PINCH OR DAMAGE CONTROL CABLES.

1. Raise lower handle section to operating position and align holes in lower handle with holes in handle brackets.
2. Insert handle bolts through lower handles and handle brackets; secure with lower ("standard") knobs.
3. Remove protective padding, raise upper handle section into place on lower handle and tighten both upper ("star") knobs.
4. Remove any packing material from around control bar.

Your handles may be adjusted for your mowing comfort. Refer to "ADJUST HANDLE" in the Service and Adjustments section of this manual.

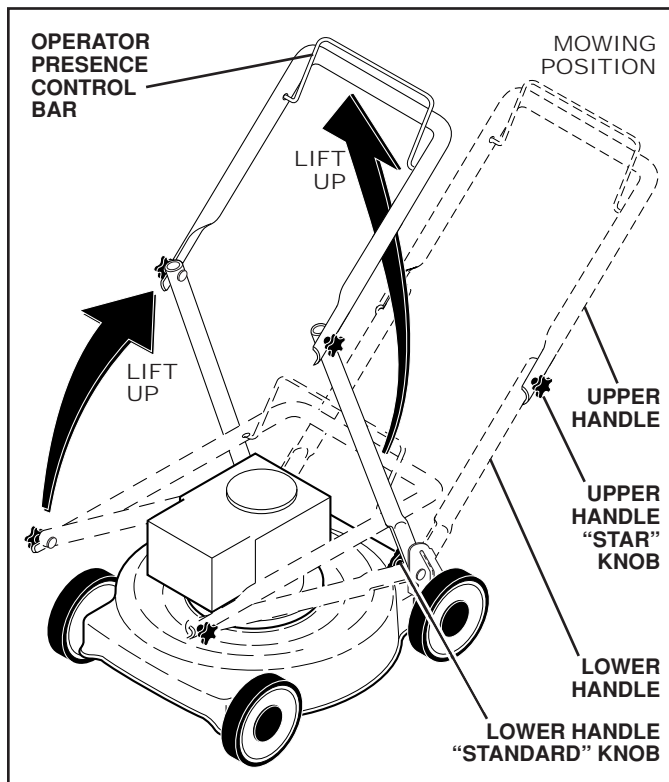


FIG. 1

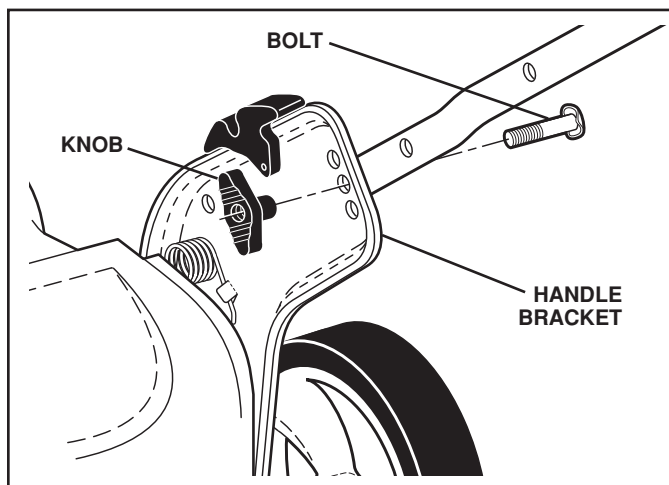


FIG. 2

ASSEMBLY

TO ASSEMBLE GRASS CATCHER (See Fig. 3)

1. Put grass catcher frame into grass bag with rigid part of bag on the bottom. Make sure the frame handle is outside of the bag top.
2. Slip vinyl bindings over frame.

NOTE: If vinyl bindings are too stiff, hold them in warm water for a few minutes. If bag gets wet, let it dry before using.

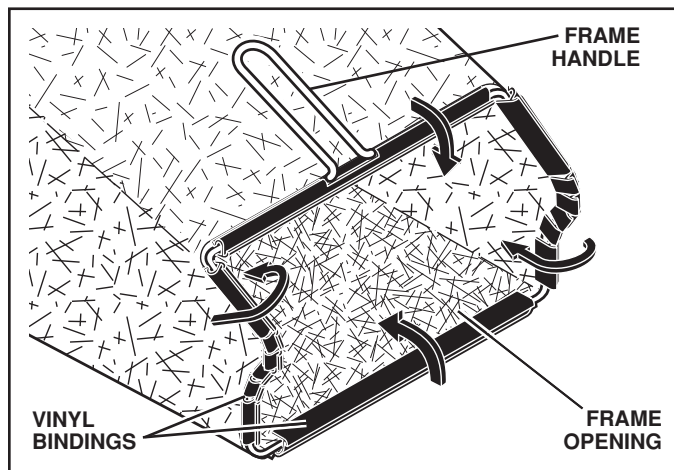


FIG. 3

INSTALL STARTER ROPE (See Fig. 4)

1. Loosen T-knob.
2. Place throttle control in STOP position.
3. Slowly pull engine starter rope out until rope will slip into loop of rope guide.
4. Tighten T-knob.

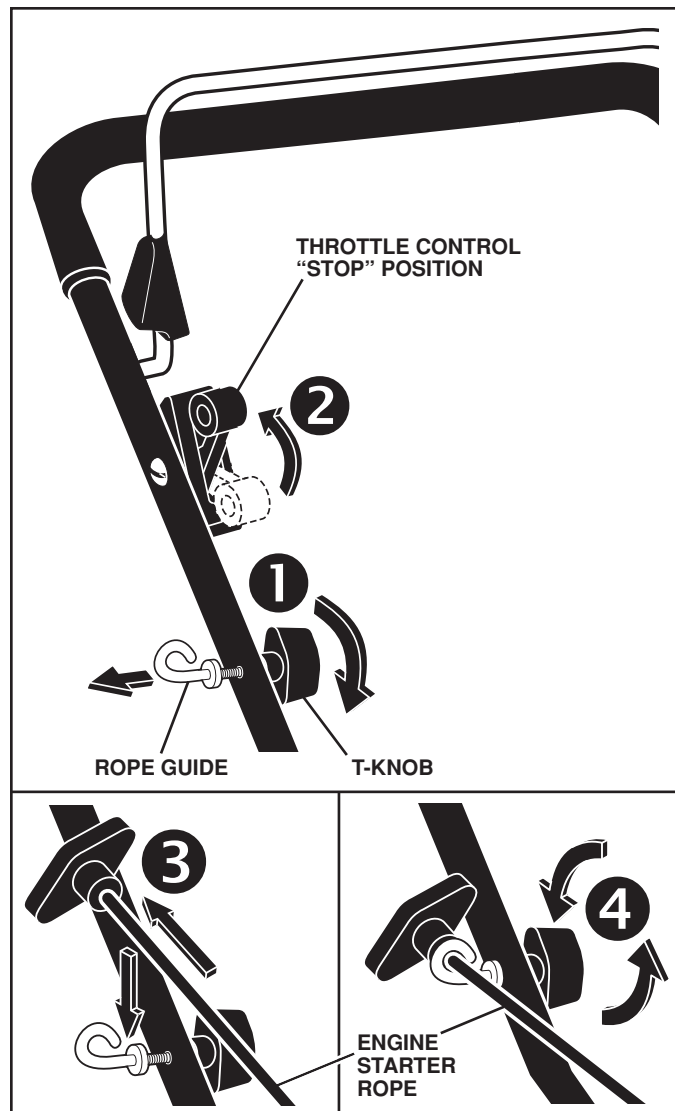


FIG. 4

TO INSTALL ATTACHMENTS

Your lawn mower was shipped ready to be used as a mulcher. To convert mower to bagging or discharging, see "TO CONVERT MOWER" in the Operation section of this manual.

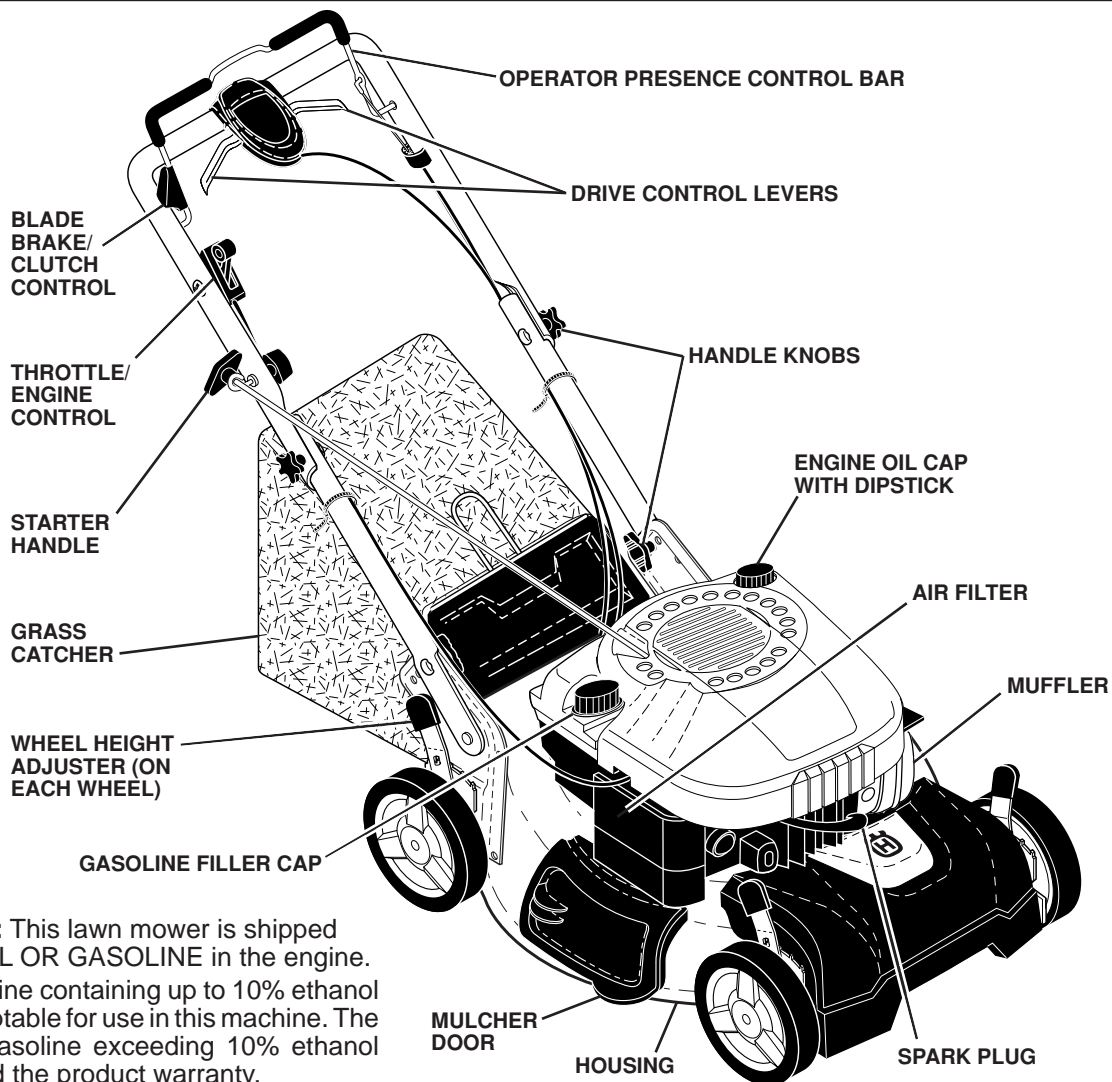
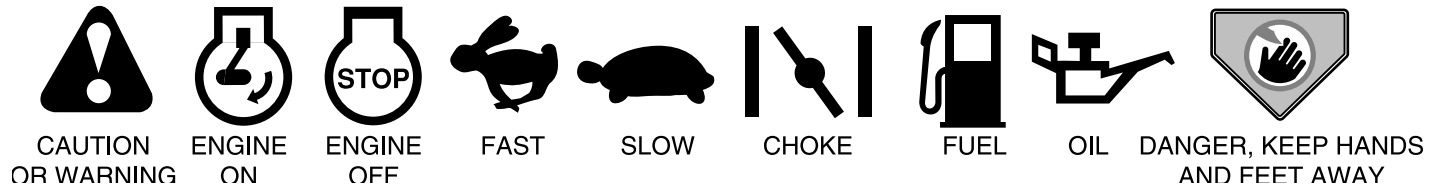
OPERATION

KNOW YOUR LAWN MOWER

READ THIS OWNER'S MANUAL AND SAFETY RULES BEFORE OPERATING YOUR LAWN MOWER.

Compare the illustrations with your lawn mower to familiarize yourself with the location of various controls and adjustments. Save this manual for future reference.

These symbols may appear on your lawn mower or in literature supplied with the product. Learn and understand their meaning.



IMPORTANT: This lawn mower is shipped WITHOUT OIL OR GASOLINE in the engine.

NOTE: Gasoline containing up to 10% ethanol (E10) is acceptable for use in this machine. The use of any gasoline exceeding 10% ethanol (E10) will void the product warranty.

MEETS CPSC SAFETY REQUIREMENTS

Husqvarna rotary walk-behind power lawn mowers conform to the safety standards of the American National Standards Institute and the U.S. Consumer Product Safety Commission.

OPERATOR PRESENCE CONTROL BAR – must be held down to the handle to start the blade. Release to stop the blade.

DRIVE CONTROL LEVERS – used to engage power-propelled forward motion lawn mower.

BLADE / BRAKE CONTROL – used to engage the blade after the engine is started.

THROTTLE / ENGINE CONTROL – used for starting & stopping the engine; and allows you to select either FAST or SLOW engine speed.

STARTER HANDLE – used for starting the engine.

MULCHER DOOR – allows conversion to discharge or bagging operation.

OPERATION



The operation of any lawn mower can result in foreign objects thrown into the eyes, which can result in severe eye damage. Always wear safety glasses or eye shields while operating your lawn mower or performing any adjustments or repairs. We recommend standard safety glasses or a wide vision safety mask over spectacles.

HOW TO USE YOUR LAWN MOWER THROTTLE/ENGINE CONTROL (See Fig. 5)

The engine is controlled by a throttle control located on the side of the upper handle. START position is for starting a cold engine; FAST position is for starting a warm engine, normal cutting, trimming and better grass bagging; SLOW position is for light cutting, trimming and fuel economy, and STOP position is for stopping the engine.

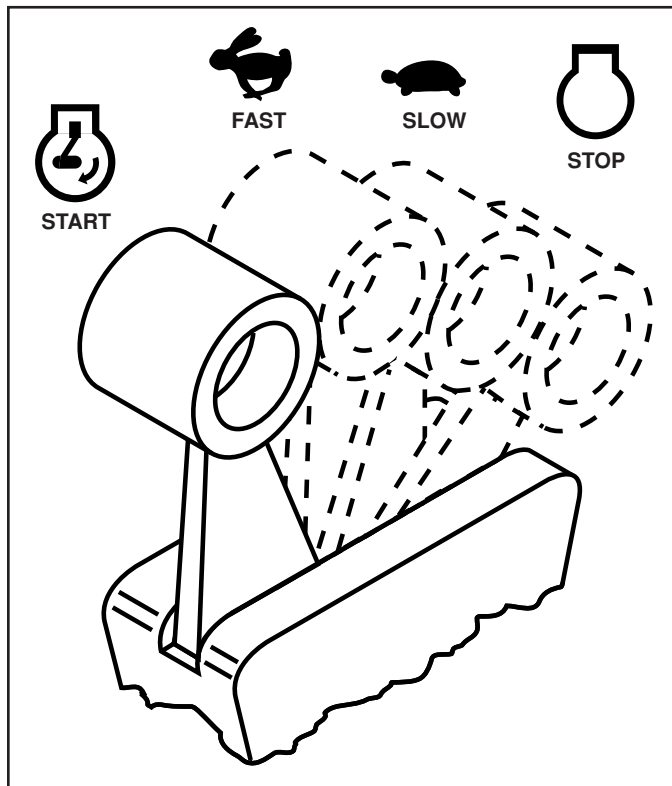


FIG. 5

BLADE CONTROL (See Fig. 6)



CAUTION: When the blade control is engaged, the blade turns.

- To start the blade, push the blade/brake control lever forward (1) and hold the operator presence control bar down to the handle (2). To stop the blade, release the operator presence control bar.

Allow a cold engine to warm up in high idle position for one minute before engaging the blade.

NOTE: It is normal to hear the belt slip as the blade is engaged and comes up to speed.

- Do not start the blade in uncut grass. Move the mower out of uncut grass before starting the blade.



CAUTION: Federal regulations require this blade/brake control to minimize the risk of blade contact injury. Do not under any circumstances attempt to defeat the function of this control.

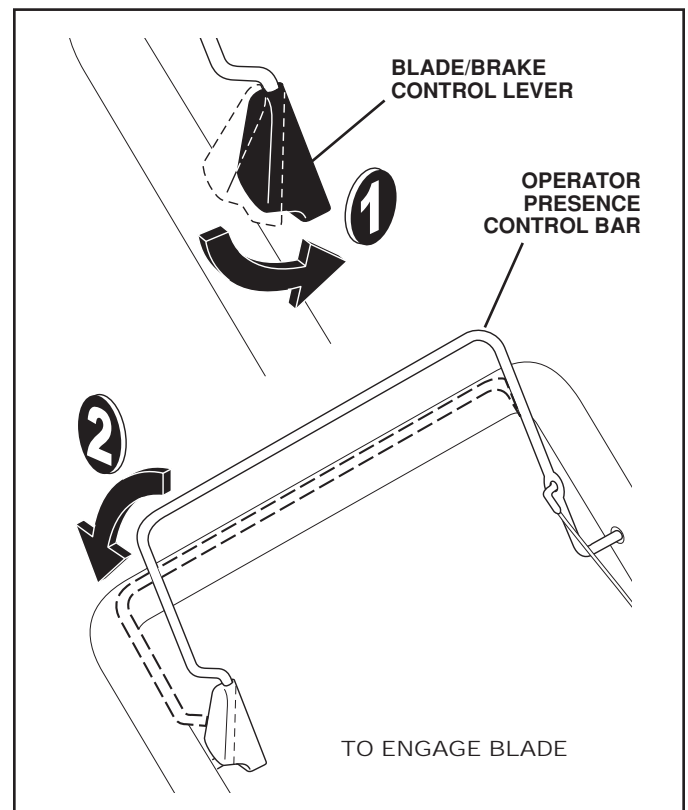


FIG. 6

OPERATION

DRIVE CONTROL (See Fig. 7)

- Self-propelling is controlled by pulling either drive control lever rearward to the handle. The further toward the handle a lever is pulled, the faster the unit will travel.
- To stop forward motion without stopping blade, release a drive control lever.

NOTE: If after releasing the drive control the mower will not roll backwards, push the mower forward slightly to disengage drive wheels.

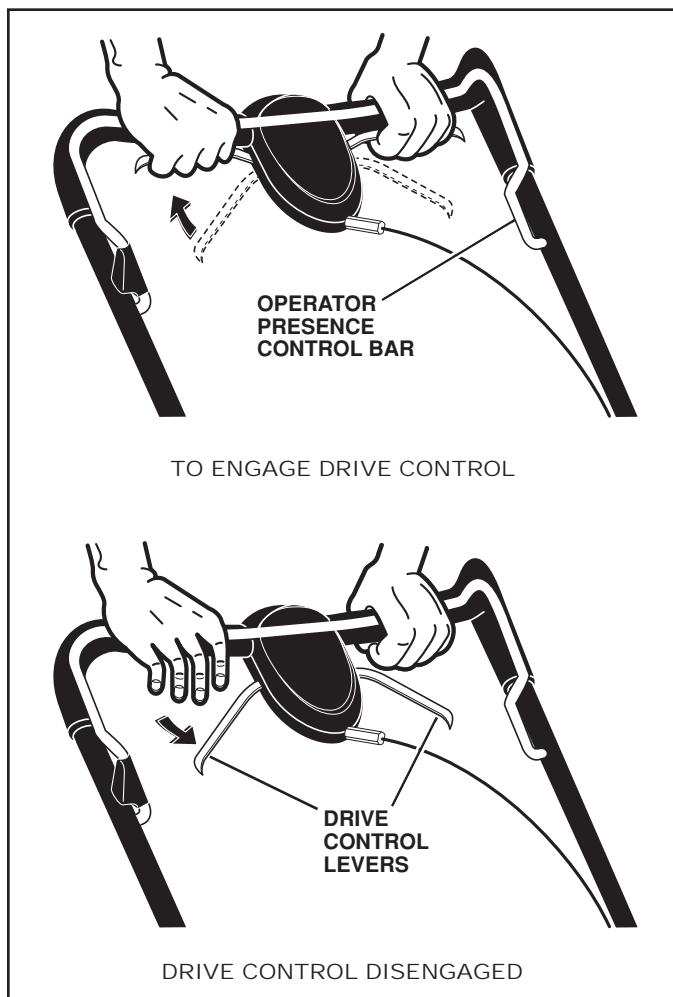


FIG. 7

DRIVE CONTROL ADJUSTMENT (See Fig. 8)

Over time, the drive control system may become “loose”, resulting in decreased speed. There is a turnbuckle on the drive control housing to increase tension on the drive cable. Proceed as follows:

1. Turn unit off and disconnect spark plug wire from spark plug.
2. Rotate turnbuckle on drive control to increase drive speed.
3. Operate mower to test drive speed. Readjust as required.
4. If condition fails to improve after the above steps (forward speed remains the same), your drive belt is worn and should be replaced.

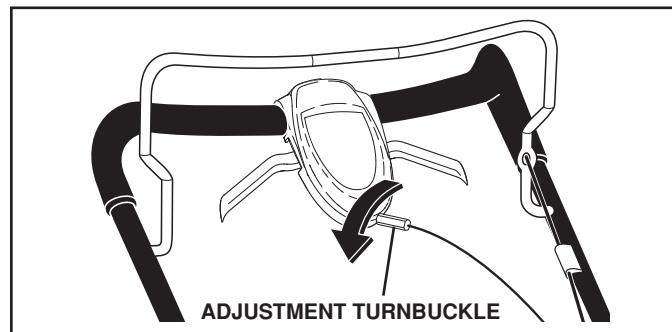


FIG. 8

TO ADJUST CUTTING HEIGHT (See Fig. 9)

Raise wheels for low cut and lower wheels for high cut, adjust cutting height to suit your requirements. Medium position is best for most lawns.

- To change cutting height, squeeze adjuster lever toward wheel. Move wheel up or down to suit your requirements. Be sure all wheels are in the same setting.

NOTE: Adjuster is properly positioned when plate tab inserts into hole in lever. Also, 9-position adjusters (if so equipped) allow lever to be positioned between the plate tabs.

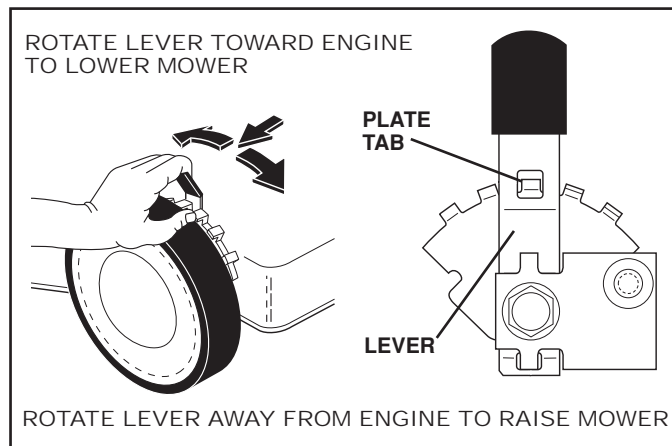


FIG. 9

OPERATION

TO CONVERT MOWER

Your lawn mower was shipped ready to be used as a mulcher. To convert to bagging or discharging:

REAR BAGGING (See Fig. 10)

- Lift rear door of the lawn mower and place the grass catcher frame hooks onto the grass bag brackets.
- To convert to mulching or discharging operation, remove grass catcher and close rear door.

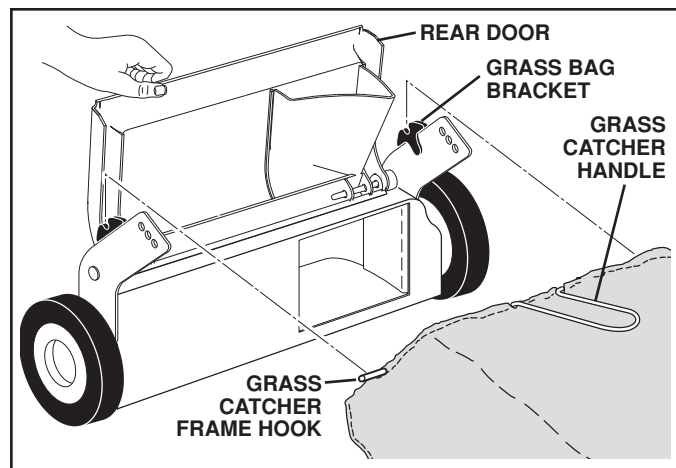


FIG. 10

SIMPLE STEPS TO REMEMBER WHEN CONVERTING YOUR LAWN MOWER

FOR MULCHING -

1. Rear door closed.
2. Mulcher door closed and locked.

FOR REAR BAGGING -

1. Grass catcher installed.
2. Mulcher door closed and locked.

FOR SIDE DISCHARGING -

1. Rear door closed.
2. Discharge deflector installed.



CAUTION: Do not run your lawn mower without rear door closed or approved grass catcher in place. Never attempt to operate the lawn mower with the rear door removed or propped open.

SIDE DISCHARGING (See Fig. 11)

- Rear door must be closed.
- Open mulcher door and install discharge deflector under door as shown.
- Mower is now ready for discharging operation.
- To convert to mulching or bagging operation, discharge deflector must be removed and mulcher door must be closed and locked.

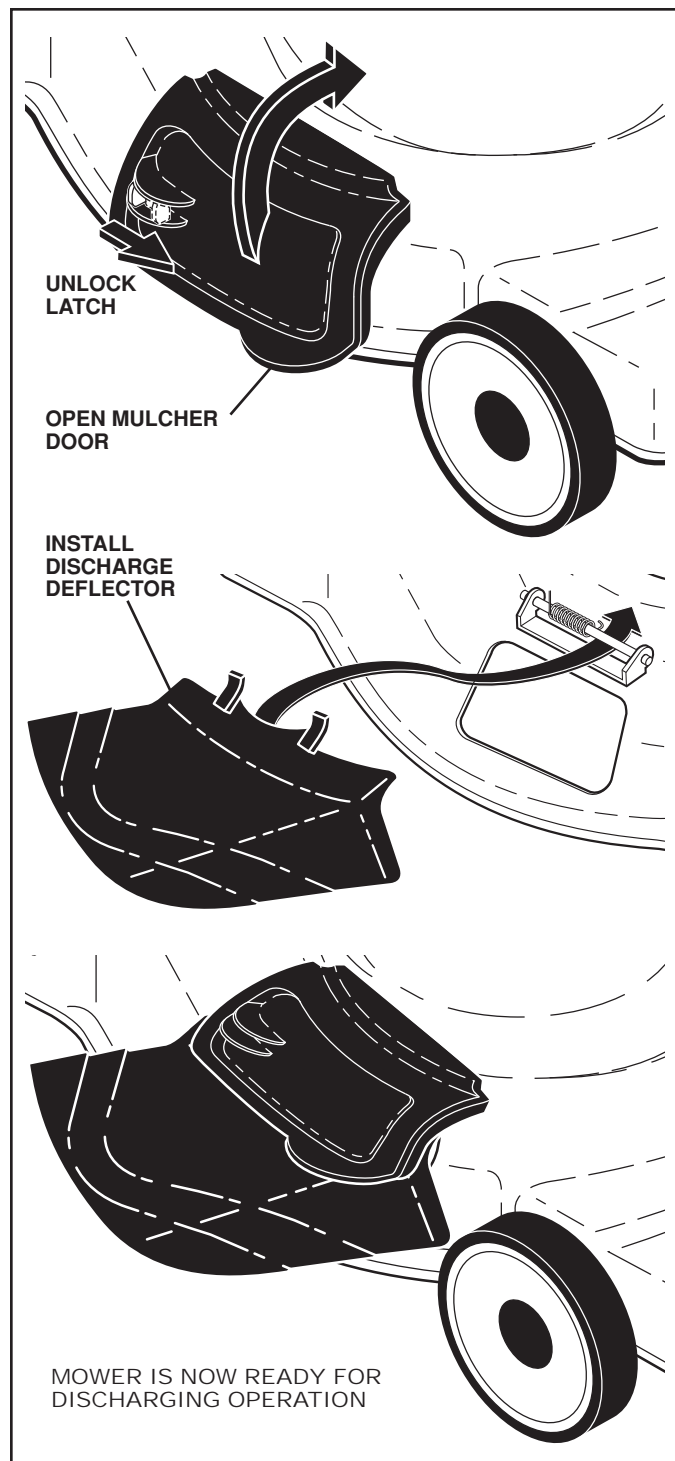


FIG. 11

OPERATION

TO EMPTY GRASS CATCHER (See Fig. 12)

1. Lift up on grass catcher using the frame handle.
2. Remove grass catcher with clippings from under lawn mower handle.
3. Empty clippings from bag using both frame handle and bag handle.

NOTE: Do not drag the bag when emptying; it will cause unnecessary wear.

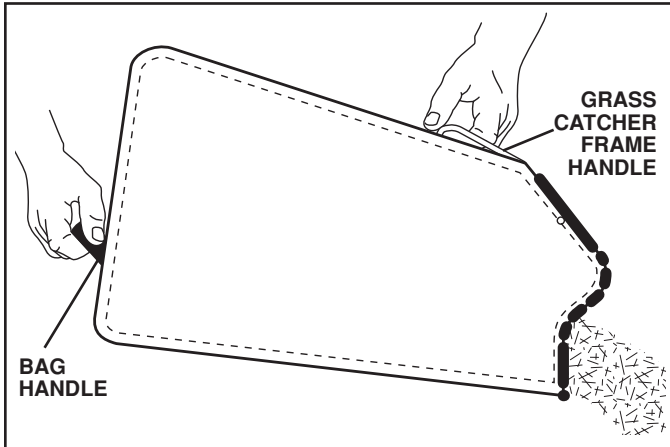


FIG. 12

BEFORE STARTING ENGINE

ADD OIL (See Fig. 13)

Your lawnmower is shipped without oil in the engine. For type and grade of oil to use, see "ENGINE" in the Maintenance section of this manual.



CAUTION: DO NOT overfill engine with oil, or it will smoke heavily from the muffler on startup.

1. Be sure lawnmower is level.
2. Remove oil dipstick from oil fill spout.
3. You receive a container of oil with the unit. Slowly pour the entire container down the oil fill spout into the engine.

NOTE: Initial oil fill requires only 18 oz. due to residual oil in engine from the manufacturers 100% quality testing. When changing oil you may need 20 oz.

4. Insert and tighten dipstick.

IMPORTANT:

- Check oil level before each use. Add oil if needed. Fill to full line on dipstick.
- Change the oil after every 25 hours of operation or each season. You may need to change the oil more often under dusty, dirty conditions. See "TO CHANGE ENGINE OIL" in the Maintenance section of this manual.

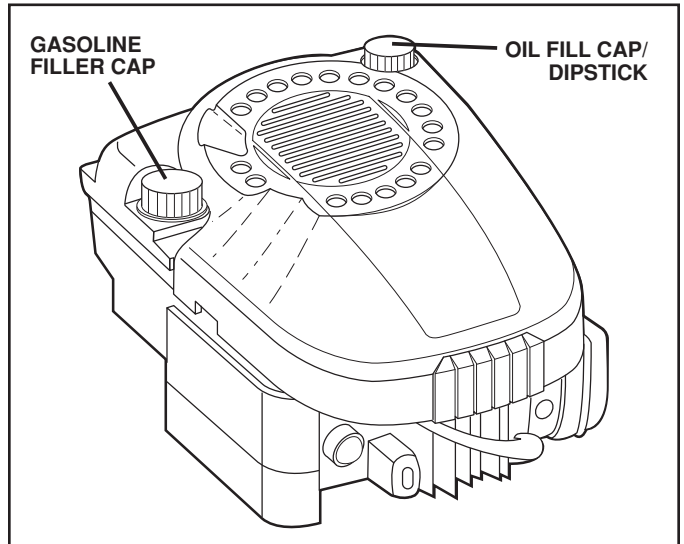


FIG. 12

ADD GASOLINE (See Fig. 13)

- Fill fuel tank to bottom of tank filler neck. Do not overfill. Use fresh, clean, regular unleaded gasoline with a minimum of 87 octane. Do not mix oil with gasoline. Purchase fuel in quantities that can be used within 30 days to assure fuel freshness.



CAUTION: Wipe off any spilled oil or fuel. Do not store, spill or use gasoline near an open flame.

Alcohol blended fuels (called gasohol or using ethanol or methanol) can attract moisture which leads to separation and formation of acids during storage. Acidic gas can damage the fuel system of an engine while in storage. To avoid engine problems, the fuel system should be emptied before storage of 30 days or longer. Empty the gas tank, start the engine and let it run until the fuel lines and carburetor are empty. Use fresh fuel next season. See Storage Instructions for additional information. Never use engine or carburetor cleaner products in the fuel tank or permanent damage may occur.

OPERATION

TO STOP ENGINE (See Fig. 14)

- To stop engine, place throttle/engine control in STOP position.

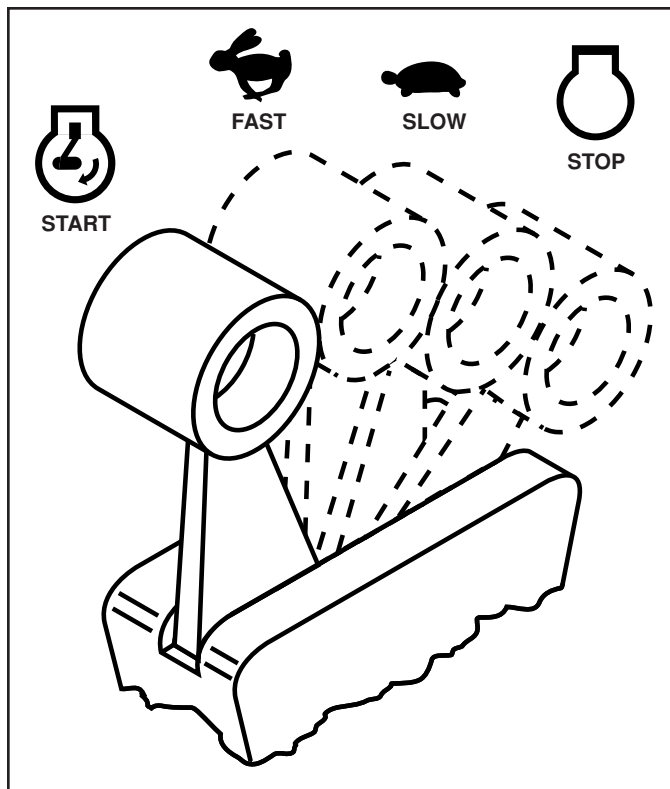


FIG. 14

TO START ENGINE (See Fig. 14)

NOTE: Due to protective coatings on the engine, a small amount of smoke may be present during the initial use of the product and should be considered normal.

NOTE: Your engine is equipped with an automatic choke system. No priming or choking is required before starting.

- To start a cold engine, place throttle/engine control in START position. This step is not usually necessary when starting an engine which has already run for a few minutes.
- To start a warm engine, place throttle/engine control in FAST position and pull starter handle quickly. Do not allow starter rope to snap back.

MOWING TIPS



CAUTION: Do not use de-thatcher blade attachments on your mower. Such attachments are hazardous, will damage your mower and could void your warranty.

- Under certain conditions, such as very tall grass, it may be necessary to raise the height of cut to reduce pushing effort and to keep from overloading the engine and leaving clumps of grass clippings. It may also be necessary to reduce ground speed and/or run the lawn mower over the area a second time.

- For extremely heavy cutting, reduce the width of cut by overlapping previously cut path and mow slowly.
- For better grass bagging and most cutting conditions, the engine speed should be set in the fast position.
- Pores in cloth grass catchers can become filled with dirt and dust with use and catchers will collect less grass. To prevent this, regularly hose catcher off with water and let dry before using.
- Keep top of engine around starter clear and clean of grass clippings and chaff. This will help engine air flow and extend engine life.

MULCHING MOWING TIPS

IMPORTANT: FOR BEST PERFORMANCE, KEEP MOWER HOUSING FREE OF BUILT-UP GRASS AND TRASH. SEE "CLEANING" IN THE MAINTENANCE SECTION OF THIS MANUAL.

- The special mulching blade will recut the grass clippings many times and reduce them in size so that as they fall onto the lawn they will disperse into the grass and not be noticed. Also, the mulched grass will biodegrade quickly to provide nutrients for the lawn. Always mulch with your highest engine (blade) speed as this will provide the best recutting action of the blades.
- Avoid cutting your lawn when it is wet. Wet grass tends to form clumps and interferes with the mulching action. The best time to mow your lawn is the early afternoon. At this time the grass has dried, yet the newly cut area will not be exposed to direct sunlight.
- For best results, adjust the lawn mower cutting height so that the lawn mower cuts off only the top one-third of the grass blades (See Fig. 15). If the lawn is overgrown it will be necessary to raise the height of cut to reduce pushing effort and to keep from overloading the engine and leaving clumps of mulched grass. For extremely heavy mulching, reduce your width of cut by overlapping previously cut path and mow slowly.

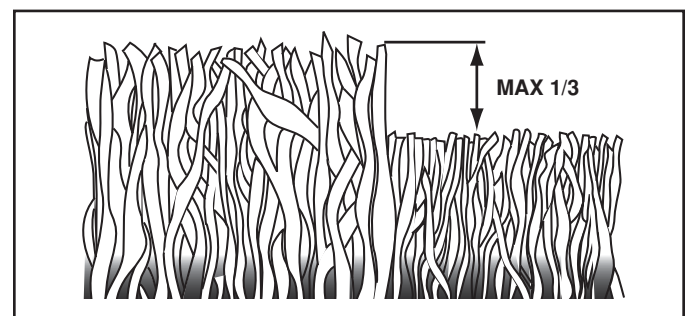


FIG. 15

- Certain types of grass and grass conditions may require that an area be mulched a second time to completely hide the clippings. When doing a second cut, mow across (perpendicular) to the first cut path.
- Change your cutting pattern from week to week. Mow north to south one week then east to west the next week. This will help prevent matting and graining of the lawn.

MAINTENANCE

MAINTENANCE SCHEDULE		BEFORE EACH USE	AFTER EACH USE	EVERY 10 HOURS	EVERY 25 HOURS OR SEASON	EVERY 100 HOURS	BEFORE STORAGE
LAWN MOWER	Check for Loose Fasteners	✓					✓
	Clean / Inspect Grass Catcher *	✓	✓				✓
	Check Tires	✓					
	Check Drive Wheels ***	✓					
	Clean Lawn Mower ****		✓				✓
	Clean under Drive Cover ***			✓			
	Check Drive Belt / Pulleys ***				✓		
	Check / Sharpen / Replace Blade				✓ ₃		
	Lubrication				✓		
	Clean and Recharge Battery **				✓		✓ ₄
ENGINE	Check Engine Oil level	✓ ₅					
	Change Engine Oil				✓ _{1,2}		
	Clean Air Filter				✓ ₂		
	Inspect Muffler				✓		
	Replace Spark Plug					✓	
	Replace Air Filter Paper Cartridge					✓ ₂	
	Empty fuel system or add Stabilizer						✓

* (if so equipped)

** Electric-Start mowers

*** Power-Propelled mowers

**** Use a scraper to clean under deck

1 - Change more often if operating under a heavy load or in high outdoor temperatures.

2 - Service more often if operating in dirty or dusty conditions.

3 - Replace blades more often when mowing in sandy soil.

4 - Charge 48 hours at end of season.

5 - And after each 5 hours of use.

GENERAL RECOMMENDATIONS

The warranty on this lawn mower does not cover items that have been subjected to operator abuse or negligence. To receive full value from the warranty, operator must maintain mower as instructed in this manual. Some adjustments will need to be made periodically to properly maintain your unit. At least once a season, check to see if you should make any of the adjustments described in the Service and Adjustments section of this manual.

- At least once a year, replace the spark plug, clean or replace air filter element and check blade for wear. A new spark plug and clean/new air filter element assure proper air-fuel mixture and help your engine run better and last longer.
- Follow the maintenance schedule in this manual.

BEFORE EACH USE

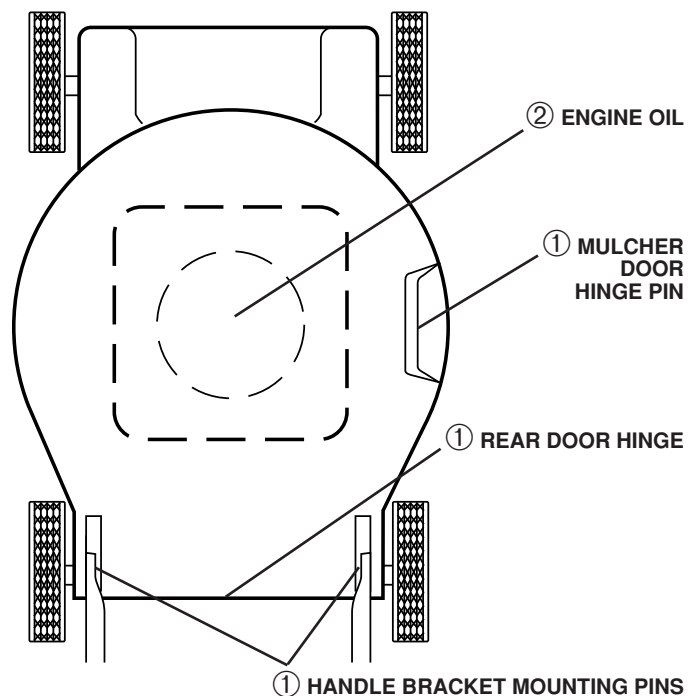
1. Check engine oil level.
2. Check for loose fasteners.

LUBRICATION

Keep unit well lubricated (See "LUBRICATION CHART").

IMPORTANT: DO NOT OIL OR GREASE PLASTIC WHEEL BEARINGS. VISCOUS LUBRICANTS WILL ATTRACT DUST AND DIRT THAT WILL SHORTEN THE LIFE OF THE SELF-LUBRICATING BEARINGS. IF YOU FEEL THEY MUST BE LUBRICATED, USE ONLY A DRY, POWDERED GRAPHITE TYPE LUBRICANT SPARINGLY.

LUBRICATION CHART



① SPRAY LUBRICANT

② SEE "ENGINE" IN MAINTENANCE SECTION

MAINTENANCE

LAWN MOWER

Always observe safety rules when performing any maintenance.

TIRES

- Keep tires free of gasoline, oil, or insect control chemicals which can harm rubber.
- Avoid stumps, stones, deep ruts, sharp objects and other hazards that may cause tire damage.

DRIVE WHEELS

Check rear drive wheels each time you mow to be sure they move freely. The wheels not turning freely means trash, grass cuttings, etc., may be inside the drive wheel and dust cover area and must be cleaned out to free drive wheels.

If necessary to clean the drive wheels, check both rear wheels.

BLADE CARE (See Fig. 16)

For best results, mower blade must be kept sharp. Replace a bent or damaged blade.



CAUTION: Use only a replacement blade approved by the manufacturer of your mower. Using a blade not approved by the manufacturer of your mower is hazardous, could damage your mower and void your warranty.

TO REMOVE BLADE

1. Disconnect spark plug wire from spark plug and place wire where it cannot come in contact with plug.
2. Turn lawn mower on its side. Make sure air filter and carburetor are up.
3. Use a wood block between blade and mower housing to prevent blade from turning when removing blade bolts.

NOTE: Protect your hands with gloves and/or wrap blade with heavy cloth.

4. Remove blade bolts by turning counter-clockwise.
5. Remove blade.

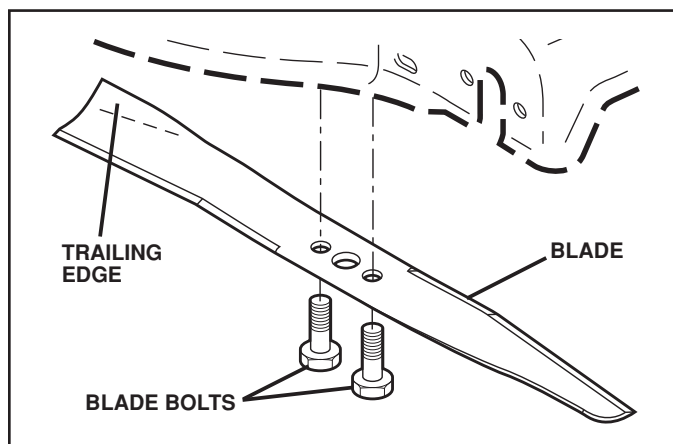


FIG. 16

TO REPLACE BLADE

1. Position the blade on the Blade Brake/Clutch.
 2. Be sure the trailing edge of blade (opposite sharp edge) is up toward the engine.
 3. Install the blade bolts into Blade Brake/Clutch.
 4. Use block of wood between blade and lawn mower housing and tighten the blade bolts, turning clockwise.
- The recommended tightening torque is 36–44 ft. lbs.

IMPORTANT: BLADE BOLTS ARE HEAT TREATED. IF BOLTS NEED REPLACING, REPLACE ONLY WITH APPROVED BOLTS.

TO SHARPEN BLADE

NOTE: We do not recommend sharpening blade - but if you do, be sure the blade is balanced. An unbalanced blade will cause eventual damage to lawn mower or engine.

- The blade can be sharpened with a file or on a grinding wheel. Do not attempt to sharpen while on the mower.
- To check blade balance, drive a nail into a beam or wall. Leave about one inch of the straight nail exposed. Place center hole of blade over the head of the nail. If blade is balanced, it should remain in a horizontal position. If either end of the blade moves downward, sharpen the heavy end until the blade is balanced.

GRASS CATCHER

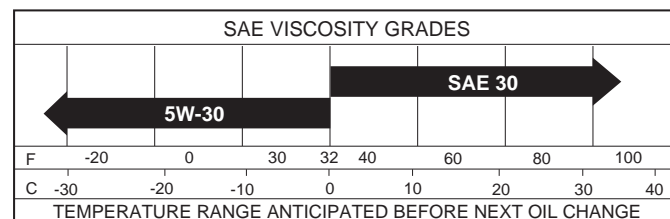
- The grass catcher may be hosed with water, but must be dry when used.
- Check your grass catcher often for damage or deterioration. Through normal use it will wear. If catcher needs replacing, replace only with approved replacement catcher. Give the lawn mower model number when ordering.

GEAR CASE

- To keep your drive system working properly, the gear case and area around the drive should be kept clean and free of trash build-up. Clean under the drive cover twice a season.
- The gear case is filled with lubricant to the proper level at the factory. The only time the lubricant needs attention is if service has been performed on the gear case.

ENGINE LUBRICATION

Use only high quality detergent oil rated with API service classification SG–SL. Select the oil's SAE viscosity grade according to your expected operating temperature.



NOTE: Although multi-viscosity oils (5W30, 10W30 etc.) improve starting in cold weather, these multi-viscosity oils will result in increased oil consumption when used above 32°F. Check your engine oil level more frequently to avoid possible engine damage from running low on oil.

MAINTENANCE

Change the oil after every 25 hours of operation or at least once a year if the lawn mower is not used for 25 hours in one year.

Check the crankcase oil level before starting the engine and after each five (5) hours of continuous use. Tighten oil plug securely each time you check the oil level.

TO CHANGE ENGINE OIL (See Fig. 17)

NOTE: Before tipping lawn mower to drain oil, empty fuel tank by running engine until fuel tank is empty.

1. Disconnect spark plug wire from spark plug and place wire where it cannot come in contact with plug.
2. Remove engine oil cap; lay aside on a clean surface.
3. Tip lawn mower on its side as shown and drain oil into a suitable container. Rock lawn mower back and forth to remove any oil trapped inside of engine.

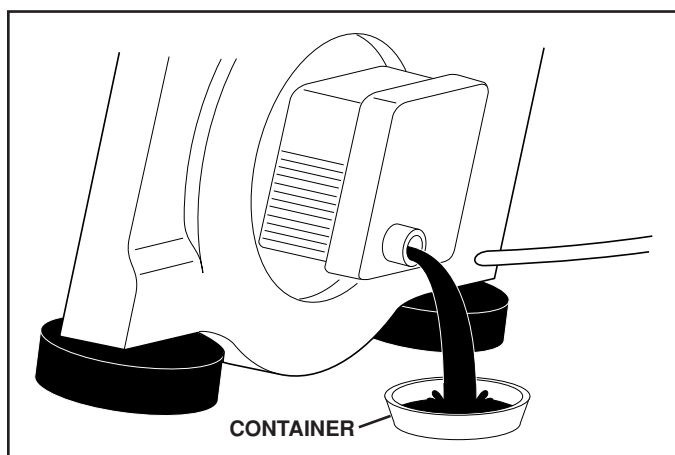


FIG. 17


4. Wipe off any spilled oil from lawn mower or side of engine.
5. Slowly pour oil down the oil fill spout, stopping every few ounces to check the oil level with the dipstick.
6. Stop adding oil when you reach the FULL mark on the dipstick. Wait a minute to allow oil to settle.
7. Continue adding small amounts of oil, rechecking the dipstick until oil level settles at FULL. DO NOT overfill, or engine will smoke heavily from the muffler on startup.
8. Always be sure to retighten oil dipstick before starting engine.
9. Reconnect spark plug wire to spark plug.

AIR FILTER (See Fig. 18)

Your engine will not run properly and may be damaged by using a dirty air filter. Replace the air filter cartridge every 100 hours of operation or every season, whichever occurs first. Service air cleaner more often under dusty conditions.

TO CLEAN AIR FILTER

1. Loosen screw and tilt cover to remove.
2. Carefully remove cartridge.
3. Clean by gently tapping on a flat surface. If very dirty, replace cartridge.

 **CAUTION: Petroleum solvents, such as kerosene, are not to be used to clean cartridge. They may cause deterioration of the cartridge. Do not oil cartridge. Do not use pressurized air to clean or dry cartridge.**

4. Install cartridge, then replace cover making sure the tabs are aligned with the slots in the back plate. Fasten screw securely.

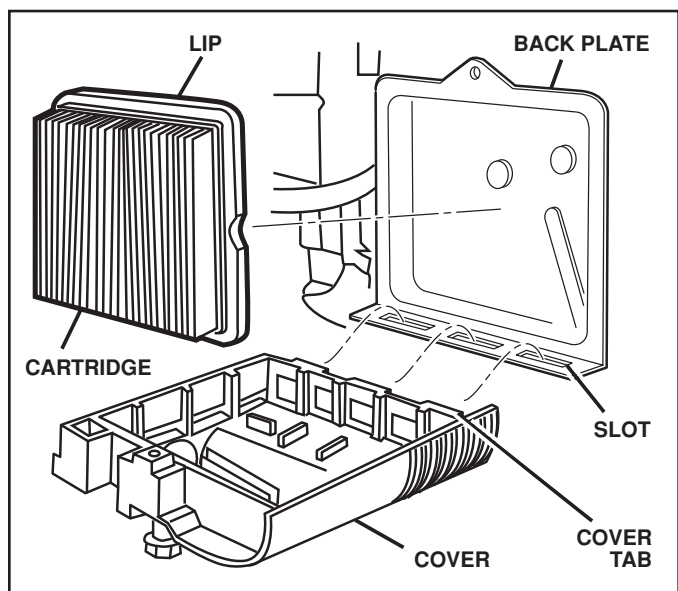


FIG. 18

MUFFLER

Inspect and replace corroded muffler as it could create a fire hazard and/or damage.

SPARK PLUG

Replace spark plug at the beginning of each mowing season or after every 100 hours of operation, whichever occurs first. Spark plug type and gap setting are shown in the "PRODUCT SPECIFICATIONS" section of this manual.

CLEANING

IMPORTANT: FOR BEST PERFORMANCE, KEEP MOWER HOUSING FREE OF BUILT-UP GRASS AND TRASH. CLEAN THE UNDERSIDE OF YOUR MOWER AFTER EACH USE.

 **CAUTION: Disconnect spark plug wire from spark plug and place wire where it cannot come in contact with plug.**

- Clean the underside of your lawn mower by scraping to remove build-up of grass and trash.
- Clean engine often to keep trash from accumulating. A clogged engine runs hotter and shortens engine life.
- Keep finished surfaces / wheels free of gasoline, oil, etc.
- We do not recommend using a garden hose to clean lawn mower unless the electrical system, muffler, air filter and carburetor are covered to keep water out. Water in engine can result in shortened engine life.

MAINTENANCE

CLEAN UNDER DRIVE COVER

Clean under drive cover at least twice a season. Scrape underside of cover with putty knife or similar tool to remove any build-up of trash or grass on underside of drive cover.

WATER WASHOUT FEATURE (See Fig. 19)

Your lawn mower is equipped with a fitting that allows quick and easy cleaning of the underside of the housing. To use this feature, proceed as follows:

1. Move lawn mower to an area of cut grass or another hard surface.

NOTE: Water, grass and other debris will drain from beneath the mower housing during the washout process.

2. Remove grass catcher and discharge chute assembly from lawn mower.
3. Close mulcher door (if equipped).
4. Connect a garden hose to the fitting where shown.

IMPORTANT: BE SURE THE GARDEN HOSE IS NOT ROUTED UNDER THE LAWN MOWER HOUSING OR ENTANGLED IN THE WHEELS.

5. Turn on water supply and check for leaks at the fitting.

If no leaks are present, start engine (as described in the Operation section of this manual) and let engine run until the underside of the lawn mower is clean.



WARNING: Do not engage the drive system during the washout process.

6. Shut off the engine.
7. Shut off water supply and remove hose from fitting.



CAUTION: Do not remove hose from fitting while engine is running. Water in engine can result in shortened engine life.

8. Start engine (as described in the Operation section of this manual) and let engine run for a full minute to remove excess water from mower.

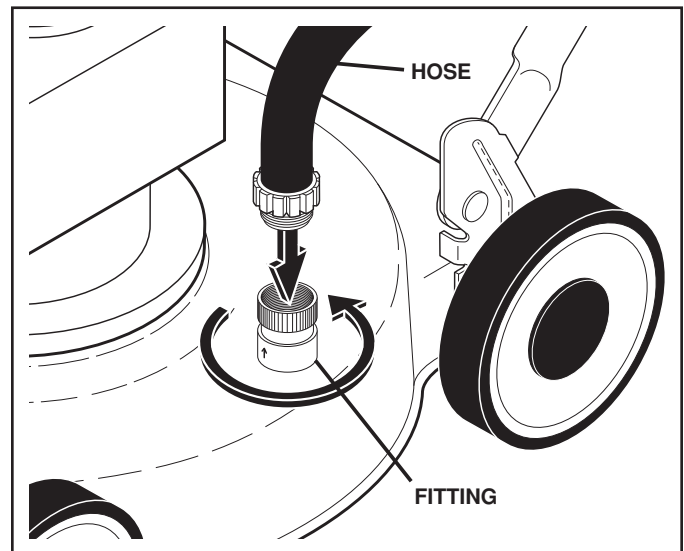


FIG. 19

SERVICE AND ADJUSTMENTS

CAUTION: TO AVOID SERIOUS INJURY, BEFORE PERFORMING ANY SERVICE OR ADJUSTMENTS:



1. Release control bar and stop engine.
2. Make sure the blade and all moving parts have completely stopped.
3. Disconnect spark plug wire from spark plug and place where it cannot come in contact with plug.

LAWN MOWER

TO ADJUST CUTTING HEIGHT

See "TO ADJUST CUTTING HEIGHT" in the Operation section of this manual.

REAR DEFLECTOR

The rear deflector, attached between the rear wheels of your mower, is provided to minimize the possibility that objects will be thrown out of the rear of the mower into the operator's mowing position. If the deflector becomes damaged, it should be replaced.

DRIVE BELT

If your mower does not operate properly due to suspected drive belt problems, take your mower to a Husqvarna or other qualified service center for repair and/or adjustment.

TO ADJUST HANDLE (See Fig. 20)

The handle on your lawn mower has three (3) height positions - adjust to height that suits you.

1. Remove knob and carriage bolt on one side of the lower handle.
2. While holding handle assembly, remove knob and carriage bolt from opposite side, align hole in handle with desired hole in handle bracket and reassemble bolt and knob and tighten securely.
3. Align opposite side of handle with same positioning hole and secure with bolt and knob.

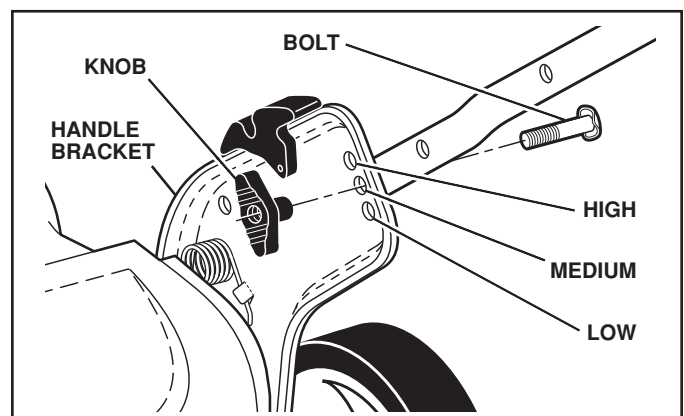


FIG. 20

SERVICE AND ADJUSTMENTS

ENGINE

ENGINE SPEED

Your engine speed has been factory set. Do not attempt to increase engine speed or it may result in personal injury. If you believe that the engine is running too fast or too slow, take your lawn mower to a Husqvarna or other qualified service center for repair and adjustment.

CARBURETOR

Your carburetor is not adjustable. If your engine does not operate properly due to suspected carburetor problems, take your lawn mower to a Husqvarna or other authorized service center for repair and/or adjustment.

IMPORTANT: NEVER TAMPER WITH THE ENGINE GOVERNOR, WHICH IS FACTORY SET FOR PROPER ENGINE SPEED. OVERSPEEDING THE ENGINE ABOVE THE FACTORY HIGH SPEED SETTING CAN BE DANGEROUS. IF YOU THINK THE ENGINE-GOVERNED HIGH SPEED NEEDS ADJUSTING, CONTACT YOUR NEAREST HUSQVARNA OR OTHER AUTHORIZED SERVICE CENTER, WHICH HAS PROPER EQUIPMENT AND EXPERIENCE TO MAKE ANY NECESSARY ADJUSTMENTS.

STORAGE

Immediately prepare your mower for storage at the end of the season or if the unit will not be used for 30 days or more.

LAWN MOWER

When lawn mower is to be stored for a period of time, clean it thoroughly, remove all dirt, grease, leaves, etc. Store in a clean, dry area.

1. Clean entire lawn mower (See "CLEANING" in the Maintenance section of this manual).
2. Lubricate as shown in the Maintenance section of this manual.
3. Be sure that all nuts, bolts, screws, and pins are securely fastened. Inspect moving parts for damage, breakage and wear. Replace if necessary.
4. Touch up all rusted or chipped paint surfaces; sand lightly before painting.

HANDLE (See Figs. 21 and 22)

You can fold your lawn mower handle for storage.

1. Loosen the two "star" handle knobs on sides of the upper handle and allow handle to fold down to the rear.
 2. Loosen the two "standard" handle knobs on sides of the lower handle and pivot entire handle assembly forward and allow it to rest on mower.
 3. Reinstall "standard" knobs and carriage bolts to lower handle or handle brackets for safe keeping.
- When setting up your handle from the storage position, you must manually lock lower handle into mowing position.

IMPORTANT: WHEN FOLDING THE HANDLE FOR STORAGE OR TRANSPORTATION, BE SURE TO FOLD THE HANDLE AS SHOWN OR YOU MAY DAMAGE THE CONTROL CABLES.

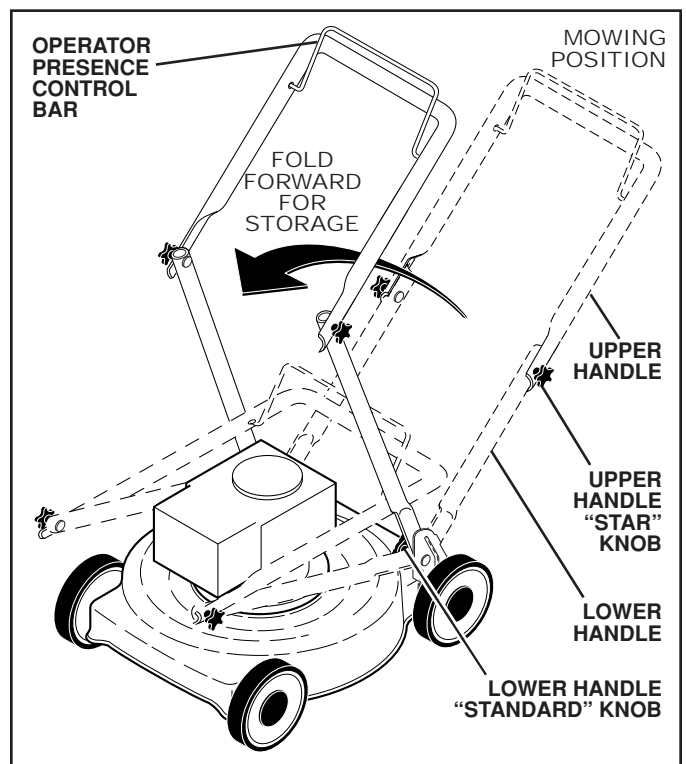


FIG. 21

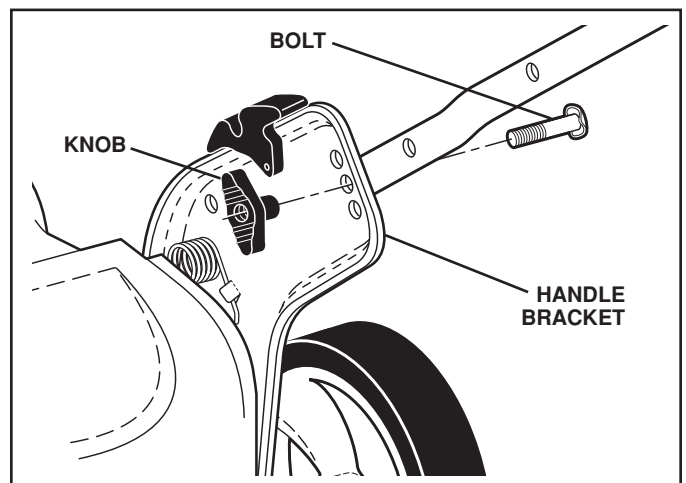


FIG. 22

STORAGE

ENGINE

FUEL SYSTEM

IMPORTANT: IT IS IMPORTANT TO PREVENT GUM DEPOSITS FROM FORMING IN ESSENTIAL FUEL SYSTEM PARTS SUCH AS CARBURETOR, FUEL FILTER, FUEL HOSE, OR TANK DURING STORAGE. ALCOHOL BLENDED FUELS (CALLED GASOHOL OR USING ETHANOL OR METHANOL) CAN ATTRACT MOISTURE WHICH LEADS TO SEPARATION AND FORMATION OF ACIDS DURING STORAGE. ACIDIC GAS CAN DAMAGE THE FUEL SYSTEM OF AN ENGINE WHILE IN STORAGE.

- Empty the fuel tank by starting the engine and letting it run until the fuel lines and carburetor are empty.
- Never use engine or carburetor cleaner products in the fuel tank or permanent damage may occur.
- Use fresh fuel next season.

NOTE: Fuel stabilizer is an acceptable alternative in minimizing the formation of fuel gum deposits during storage. Add stabilizer to gasoline in fuel tank or storage container. Always follow the mix ratio found on stabilizer container. Run engine at least 10 minutes after adding stabilizer to allow the stabilizer to reach the carburetor. Do not empty the gas tank and carburetor if using fuel stabilizer.

ENGINE OIL

Drain oil (with engine warm) and replace with clean engine oil. (See "ENGINE" in the Maintenance section of this manual).

CYLINDER

1. Remove spark plug.
2. Pour one ounce (29 ml) of oil through spark plug hole into cylinder.
3. Pull starter handle slowly a few times to distribute oil.
4. Replace with new spark plug.

OTHER

- Do not store gasoline from one season to another.
- Replace your gasoline can if your can starts to rust. Rust and/or dirt in your gasoline will cause problems.
- If possible, store your unit indoors and cover it to give protection from dust and dirt.
- Cover your unit with a suitable protective cover that does not retain moisture. Do not use plastic. Plastic cannot breathe, which allows condensation to form and will cause your unit to rust.

IMPORTANT: NEVER COVER MOWER WHILE ENGINE AND EXHAUST AREAS ARE STILL WARM.



CAUTION: Never store the lawn mower with gasoline in the tank inside a building where fumes may reach an open flame or spark. Allow the engine to cool before storing in any enclosure.

TROUBLESHOOTING POINTS

See appropriate section in manual unless directed to a Husqvarna or other authorized repair center.

PROBLEM	CAUSE	CORRECTION
Does not start	<ol style="list-style-type: none"> 1. Dirty air filter. 2. Out of fuel. 3. Stale fuel. 4. Water in fuel. 5. Spark plug wire is disconnected. 6. Bad spark plug. 7. Loose blade or broken blade adapter. 8. Control bar in released position. 9. Control bar defective. 10. Fuel valve lever (if equipped) in OFF position. 11. Weak battery (if equipped). 12. Disconnected battery connector (if equipped). 	<ol style="list-style-type: none"> 1. Clean/replace air filter. 2. Fill fuel tank. 3. Empty fuel tank and refill tank with fresh, clean gasoline. 4. Empty fuel tank and refill tank with fresh, clean gasoline. 5. Connect wire to plug. 6. Replace spark plug. 7. Tighten blade bolt or replace blade adapter. 8. Depress control bar to handle. 9. Replace control bar. 10. Turn fuel valve lever to the ON position. 11. Charge battery. 12. Connect battery to engine.

TROUBLESHOOTING POINTS

See appropriate section in manual unless directed to a Husqvarna or other authorized repair center.

PROBLEM	CAUSE	CORRECTION
Loss of power	<ol style="list-style-type: none"> 1. Rear of lawn mower housing or cutting blade dragging in heavy grass. 2. Cutting too much grass. 3. Dirty air filter. 4. Buildup of grass, leaves and trash under mower. 5. Too much oil in engine. 6. Walking speed too fast. 	<ol style="list-style-type: none"> 1. Raise cutting height. 2. Raise cutting height. 3. Clean/replace air filter. 4. Clean underside of mower housing. 5. Check oil level. 6. Cut at slower walking speed.
Poor cut – uneven	<ol style="list-style-type: none"> 1. Worn, bent or loose blade. 2. Wheel heights uneven. 3. Buildup of grass, leaves and trash under mower. 	<ol style="list-style-type: none"> 1. Replace blade. Tighten blade bolt. 2. Set all wheels at same height. 3. Clean underside of mower housing.
Excessive vibration	<ol style="list-style-type: none"> 1. Worn, bent or loose blade. 2. Bent engine crankshaft. 	<ol style="list-style-type: none"> 1. Replace blade. Tighten blade bolt. 2. Contact a Husqvarna or other authorized service center.
Starter rope hard to pull	<ol style="list-style-type: none"> 1. Engine flywheel brake is on when control bar is released. 2. Bent engine crankshaft. 3. Blade adapter broken. 4. Blade dragging in grass. 	<ol style="list-style-type: none"> 1. Depress control bar to upper handle before pulling starter rope. 2. Contact a Husqvarna or other authorized service center. 3. Replace blade adapter. 4. Move lawn mower to cut grass or other hard surface before starting.
Grass catcher not filling (if so equipped)	<ol style="list-style-type: none"> 1. Cutting height too low. 2. Lift on blade worn off. 3. Catcher not venting air. 	<ol style="list-style-type: none"> 1. Raise cutting height. 2. Replace blade. 3. Clean grass catcher.
Blade/brake clutch does not engage	<ol style="list-style-type: none"> 1. Defective blade control. 	<ol style="list-style-type: none"> 1. Replace blade/brake control.
Engine dies when starting blade	<ol style="list-style-type: none"> 1. Cold engine. 2. Mower is in uncut grass. 	<ol style="list-style-type: none"> 1. Allow engine to warm up for one minute. 2. Move mower to cleared area.
Hard to push	<ol style="list-style-type: none"> 1. Grass is too high or wheel height is too low. 2. Rear of lawn mower housing or cutting blade dragging in heavy grass. 3. Grass catcher too full. 4. Handle height position not right for you. 	<ol style="list-style-type: none"> 1. Raise cutting height. 2. Raise rear of lawn mower housing one (1) setting higher. 3. Empty grass catcher. 4. Adjust handle height to suit.
Loss of drive (or slowing of drive speed)	<ol style="list-style-type: none"> 1. Belt wear. 2. Belt off of pulley. 3. Drive cable worn or broken. 4. “Loose” drive control system. 	<ol style="list-style-type: none"> 1. Check/replace drive belt. 2. Check/reinstall drive belt. 3. Put belt on pulleys / replace belts if broken. 4. Adjust drive control.



Consumer Wheeled Products - Limited Warranty

Husqvarna warrants to the original retail purchaser that this Husqvarna® product is **free from defects in material or workmanship** under normal use and maintenance from the date of retail purchase for the applicable Warranty Period shown on Exhibit A. This Limited Warranty may not be transferred to any subsequent purchaser of this Husqvarna® product. Certain components (e.g., engines and transmissions) are excluded from coverage, and other limitations apply, as described in this document. Husqvarna will repair or replace at its discretion, any defective product or part covered by the Limited Warranty, free of charge at any authorized Husqvarna Servicing Dealer/Center using original OEM Husqvarna replacement parts, subject to the limitations and exclusions described below. Husqvarna does not offer an over-the-counter exchange program.

DISCLAIMERS, LIMITATIONS AND EXCLUSIONS

1. **WARRANTY DISCLAIMER.** THIS LIMITED WARRANTY IS THE SOLE EXPRESS WARRANTY PROVIDED BY HUSQVARNA AND THERE ARE NO WARRANTIES WHICH EXTEND BEYOND THE DESCRIPTION ON THE FACE HEREOF, EXCEPT AS MAY BE PROVIDED BY LAW. THIS WARRANTY IS GIVEN **ONLY** BY HUSQVARNA, AND MAY BE MODIFIED ONLY BY HUSQVARNA. THIS LIMITED WARRANTY IS THE FINAL EXPRESSION OF OUR AGREEMENT, AND IS A COMPLETE AND EXCLUSIVE STATEMENT OF THE TERMS OF THAT AGREEMENT. THIS LIMITED WARRANTY GIVES YOU SPECIFIC LEGAL RIGHTS, AND YOU MAY ALSO HAVE OTHER RIGHTS WHICH VARY BASED ON LOCALITY

2. **LIMITED DURATION.** ANY WARRANTY THAT MAY BE IMPLIED BY LAW (INCLUDING ANY IMPLIED WARRANTY OF FITNESS FOR A PARTICULAR PURPOSE OR USE AND IMPLIED WARRANTY OF MERCHANTABILITY) IS LIMITED TO THE DURATION OF THE APPLICABLE WARRANTY PERIOD UNDER THIS LIMITED WARRANTY. SOME LOCALITIES DO NOT ALLOW LIMITATIONS ON HOW LONG AN IMPLIED WARRANTY LASTS, SO THE ABOVE LIMITATIONS MAY NOT APPLY TO YOU.

3. **EXCLUSIVE REMEDIES.** SOME LOCALITIES, INCLUDING THE PROVINCE OF QUEBEC, DO NOT ALLOW THE EXCLUSION OR LIMITATION OF LIABILITY FOR INJURY TO PERSON OR FOR DAMAGES RESULTING FROM THE FAULT OF THE MANUFACTURER AND/OR THE EXCLUSION OR LIMITATION OF INCIDENTAL OR CONSEQUENTIAL DAMAGES. AS SUCH, SOME OF THE FOLLOWING LIMITATIONS MAY NOT APPLY TO YOU. THE ABOVE REMEDIES ARE THE EXCLUSIVE REMEDIES FOR ANY BREACH OF THIS LIMITED WARRANTY. NO OTHER REMEDY, INCLUDING, BUT NOT LIMITED TO ANY SPECIAL, INCIDENTAL, INDIRECT OR CONSEQUENTIAL DAMAGES, FOR LOST PROFITS, LOST SALES, INJURY TO PERSON OR PROPERTY, OR ANY OTHER INCIDENTAL OR CONSEQUENTIAL LOSS SHALL BE AVAILABLE, AND ALL SUCH DAMAGES ARE HEREBY DISCLAIMED.

4. **Engines, Transmissions and certain other components are NOT covered.** This Limited Warranty does not cover any of the following:

(a) *Engines and Attachments.* Except where otherwise indicated on Exhibit A, all Engines and Attachments are not covered by this Limited Warranty. In most cases, these items are NOT manufactured by Husqvarna in which case they may be covered separately by their respective manufacturer's warranties if one is provided and included with the product at the time of purchase. All such claims must be submitted and sent to the appropriate manufacturer or as otherwise directed in those separate warranties. Husqvarna is not authorized to handle warranty adjustments or repairs on engines manufactured by Briggs & Stratton, Honda, Kawasaki, or Kohler (with the exception of models equipped with LCT engines). Husqvarna does not assume any warranty obligation of the other manufacturers' engines under this Limited Warranty.

(b) *Transmissions.* Except where otherwise indicated on Exhibit A, Transmission / Transaxle (including Drive Systems) are not covered by this Limited Warranty. In most cases, these items are NOT manufactured by Husqvarna in which case they may be covered separately by their respective manufacturer's warranties if one is provided and included with the product at the time of purchase. The following transmission / transaxle manufacturers, Dana, Hydro-Gear, Tuff-Torq provide a warranty for the transmission / transaxle to the ultimate purchaser or to Husqvarna. Husqvarna will assign the transmission / transaxle manufacturer's warranty or any rights thereof to the original purchaser of the unit. To obtain transmission / transaxle warranty service, first contact the retailer who you purchased the unit from. Should you require assistance or have any questions concerning transmission / transaxle warranty coverage, contact Husqvarna directly at our website www.husqvarna.com or call 800-487-5951 (US) or 800-805-5523 (Canada) for an authorized Husqvarna service provider. All such claims must be submitted and sent to the appropriate manufacturer or as otherwise directed in those separate warranties. Husqvarna is not authorized to handle warranty adjustments or repairs on transmissions or transaxles. Husqvarna does not assume any obligations under this Limited Warranty for the above listed manufacturers (for exceptions - see Exhibit A).

(c) *Expendable Parts.* This Limited Warranty does not cover general maintenance parts and items ("Expendable Parts"), including without limitation spark plugs, bulbs, filters, lubricants, starter cords, belts, blades, and blade adapters.

(d) *Emissions Control Components.* This Limited Warranty does not cover Emissions control equipment and components to the extent regulated by the U.S. Environmental Protection Agency or similar state, provincial or federal agencies. Such equipment and components are covered by a separate emission control warranty statement supplied with your new product. Please consult this separate warranty statement for details.

5. **Any COMMERCIAL, INSTITUTIONAL, AGRICULTURAL, INDUSTRIAL, INCOME PRODUCING, or RENTAL use will result in either No Warranty or a Shortened Warranty Period.** Depending on the product, there is either NO WARRANTY (whether statutory, contractual or otherwise) or a reduced warranty if the product is used for commercial, institutional, agricultural, industrial, income producing, or rental purposes and, in such circumstances, this Limited Warranty is offered instead of and replaces any warranty regime provided for by law. Please refer to Exhibit A.

6. **Reconditioned or Refurbished Products have a 30 Day Limited Warranty.** Under this Limited Warranty, Certified Factory Reconditioned or Refurbished products have a 30 Day Limited Warranty for parts and labor for Non-Commercial Use. Products are only reconditioned at the Husqvarna Factory.

7. **Owner's (Your) Responsibilities.** To preserve your rights under this Limited Warranty, you must exercise reasonable care and use of the product, including, following the preventative maintenance, storage, fuel and oil usages as prescribed in the enclosed operator's manual. For example, the following items are the Owner's responsibility and are **not** covered by this Limited Warranty:

- a. Set-up and pre-delivery service, and engine tune-ups;
- b. Adjustments after the first (30) thirty days of purchase and beyond, such as throttle cable, belt guides adjustments; and
- c. Preventative maintenance as outlined in the operator's manual.

In addition, you must cease using the product immediately upon any failure or damage. The product should be taken to an authorized Husqvarna servicing dealer prior to any further use.

8. **Damages resulting from normal aging, wear and tear or neglect are NOT covered.** The Limited Warranty does not cover damage other than that resulting from defects in material or workmanship. The following are NOT considered defects in material or workmanship, and therefore are NOT covered.



- (a) Abrasion to mower decks;
- (b) Tires damaged by external punctures;
- (c) Natural discoloration of materials due to ultraviolet light;
- (d) Damage to cutting equipment by way of contact with, rocks, or other non-approved materials and/or structures;

In addition, this Limited Warranty does not cover damages, malfunctions or failures resulting from abuse or neglect of the product related to or including any of the following:

- (e) Failure to provide or perform required maintenance services as prescribed in the operator's manual;
- (f) Abuse, misuse, neglect, modifications, alterations, normal wear, improper servicing, use of unauthorized attachments, Lack of lubrication or engine failure, due to the use of oils that do not meet Engine manufacturer's specifications;
- (g) Use of gasohol, containing methanol (wood alcohol). Gasohol which contains a maximum 10% ethanol (grain alcohol) or 15% MTBE (methyl/tertiary/butyl/ether) is approved;
- (h) Use of ether or any starting fluids;
- (i) Pressure cleaning or steam cleaning the product;
- (j) Use of spark plugs other than those meeting emission performance requirements listed in the operator's manual;
- (k) Tampering with engine speed governor or emission components, or running engines above specified and recommended engine speeds as listed in your operator's manual;
- (l) Operation of the unit with improperly installed/removed or modified cutting shields, guards, or safety devices;
- (m) Any removed/damaged air filter, excessive dirt, abrasives, salt water, moisture, corrosion, rust, varnish, stale fuel, or any adverse reaction due to incorrect storage procedures;
- (n) Failures due to improper set up, pre-delivery service or repair service by anyone other than an authorized Husqvarna servicing dealer during the warranty period;
- (o) Dirt contaminated grease or oil, use of incorrect type of greases or oils, failure to comply with recommended greasing intervals, water or moisture damage, and/or improper storage;
- (p) Sprayers pumping or spraying caustic or flammable materials, lack of or broken strainers; or
- (q) Continued use of product, after initial operational problem or failure occurs.

9. **Reinforced Stamped (Armor Protected) 10 Year Limited & Fabricated Limited Lifetime, Deck Warranties.** These Limited Warranties are for the deck shell only – mechanical components/parts such as belts, pulleys, spindle housings, bearings, blades, rods, height adjusters, caster/anti scalp wheels etc... are NOT covered. The Limited Lifetime Warranty does not cover damage other than that resulting from defects in material or workmanship. The following are NOT considered defects in material or workmanship, and therefore are NOT covered:

- (a) Abrasion to mower decks, including sand wear;
- (b) Damage to cutting equipment by way of contact with, rocks, or other non-approved materials and/or structures;
- (c) Rust and corrosion; and
- (d) Natural discoloration of paint or other materials due to ultraviolet light.

HOW TO OBTAIN SERVICE

10. **Authorized Husqvarna Servicing Dealer/Center.** In order to obtain warranty coverage it is your responsibility (at your expense) to deliver or ship your Husqvarna unit to an authorized Husqvarna Servicing Dealer/Center and arrange for pick-up or return of your unit after the repairs have been made. If you do not know the location of your nearest authorized Husqvarna Servicing Dealer, call Husqvarna, at 1-800-487-5951 during the hours of 8:00 AM to 8:00 PM Eastern Standard Time, or visit www.husqvarna.com. Should you require assistance or have questions concerning this Limited Warranty, you may contact us at 800-487-5951 (US) or 800-805-5523 (Canada) during the hours of 8:00 AM to 8:00 PM Eastern Standard Time or contact us through the web at www.husqvarna.com.

11. **Documentation Required.** You must maintain and present Proof of purchase (including date, product model and, if applicable, engine serial number) to an authorized Husqvarna Servicing Dealer for warranty service under this Limited Warranty. Proof of purchase rests solely with you. Husqvarna encourages you to register your product online at www.usa.husqvarna.com (US & Canada) to help ensure, among other things, that you can be notified of important product information. However, registering your product is not a condition of warranty service.

*Husqvarna Professional Products, NA, Inc.
9335 Harris Corners Parkway, Suite 500, Charlotte, NC 28269*



Consumer Wheeled Limited Warranty Chart 2012

Exhibit A

Product/Component	Consumer (personal, household use only)	Commercial (any commercial, professional, institutional, agricultural, or income producing use, other than Rental Use)	Rental (any rental usage)
Riding Lawn Tractors:			
Frame, Chassis, Front Axle	5 Years	No Warranty	No Warranty
Engine*	*	*	*
Transmission (if made by Husqvarna/Peerless)	3 Years	No Warranty	No Warranty
Transmission (if third party)**	**	**	**
XLS Models only - stamped deck shell. Armor Protected Limited Warranty	10 Years	No Warranty	No Warranty
Fabricated Deck shell. Limited Lifetime Warranty	***	No Warranty	No Warranty
Battery	1 Year Pro-rated	No Warranty	No Warranty
Other Non-Expendable Components	3 Years	No Warranty	No Warranty
Residential Zero Turn Mowers (RZ Only)			
Engine*	*	*	*
Transmission **	**	No Warranty	No Warranty
RZ4623 (967009801 & 967009802) RZ5426 (967003601 & 967003602) - stamped deck shell. Armor Protected Limited Warranty	10 Years	No Warranty	No Warranty
Fabricated Deck shell. Limited Lifetime Warranty	***	No Warranty	No Warranty
Battery	1 Year Pro-rated	No Warranty	No Warranty
Other Non-Expendable Components	3 Years	No Warranty	No Warranty
Residential Zero Turn Mowers (MZ & EZ)			
Engine*	*	*	*
Transmission **	**	**	**
MZ5424S & MZ5425S (967003901 & 25021) - stamped deck shell. Armor Protected Limited Warranty	10 Years	No Warranty	No Warranty
Fabricated Deck shell. Limited Lifetime Warranty	***	No Warranty	No Warranty
Battery	1 Year Pro-rated	No Warranty	No Warranty
Other Non-Expendable Components	3 Years	1 Year	No Warranty
LE475 Edger, Tillers, Snow Throwers			
Engine*	*	*	*
Other Non-Expendable Components	2 Years	90 days	90 days
Tiller Tines	***	No Warranty	No Warranty
Walk Behind Mowers, High Wheel Trimmer			
Engine*	*	*	*
Battery	1 Year Pro-rated	No Warranty	No Warranty
Other Non-Expendable Components	3 Years	No Warranty	No Warranty
Hovering Trimmers			
Engine*	*	*	*
Other Non-Expendable Components	2 Years	1 Year	90 days
Front Mounted Deck Riders			
Engine*	*	*	*
Transmission	2 Years	No Warranty	No Warranty
Other Non-Expendable Components	2 Years	No Warranty	No Warranty
Cultivators			
Battery	1 Year Pro-rated	No Warranty	No Warranty
Other Non-Expendable Components	2 Years	No Warranty	No Warranty
Pressure Washers			
Model 5525PW:			
Engine*	*	*	*
Pump	2 Years	No Warranty	No Warranty
Other Non-Expendable Components	2 Years	No Warranty	No Warranty
All other Pressure Washers (6027PW, 9032PW, 1340PW)			
Engine*	*	*	*
Pump	2 Years	2 Years	No Warranty
Other Non-Expendable Components	2 Years	2 Years	No Warranty

Generators			
Engine*	*	*	*
Other Non-Expendable Components*	*2 Years (2nd Year Parts Only)	*2 Years-1365GN (2nd Year Parts Only)	No Warranty
Spreaders			

Consumer Wheeled Limited Warranty Chart 2012

Exhibit A

Product/Component	Consumer (personal, household use only)	Commercial (any commercial, professional, institutional, agricultural, or income producing use, other than Rental Use)	Rental (any rental usage)
Spreader	1 Year	1 Year	1 Year
Robotic Mowers			
Robotic Mower	2 Years	90 days	90 days
Battery	1 Year	1 Year	1 Year
Parts & Accessories (if purchased)			
Accessories (e.g., grass catcher, bumper guard accessories, etc.)	1 Year	No Warranty	No Warranty
Parts (e.g., belts, blades, etc.)	30 days	No Warranty	No Warranty
Parts & Accessories (if replaced in Warranty Service)			
Replacement parts and/or accessories provided under this Limited Warranty are warranted only for the BALANCE of the warranty period applicable to the part or accessory that was replaced.	See to left Consumer	See to left Commercial	See to left Rental

* See Separate Engine Manufacturer's or Manufacturer's warranty. LCT Engines on specific Snow Throwers & Tillers, warranty through Husqvarna.

** See reference 1 (b) of the warranty statement.

RZ - Two (2) Year Consumer warranty, parts & labor, with Hydro-Gear Distributor network.

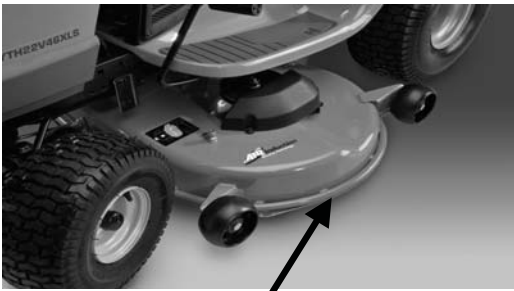
EZ - One (1) Year Commercial warranty, parts & labor, with Husqvarna.

Two (2) Year Consumer warranty, parts & labor, with Hydro-Gear Distributor network.

MZ - Two (2) Year Commercial warranty, parts & labor, with Hydro-Gear Distributor network.

*** "Limited Lifetime Warranty" on Tiller tines and Fabricated Deck shell is for the life of the product or 7 (seven) years after the last date of the complete unit's final production, whichever comes first. Deck Shell replacement will be limited to a maximum of two (2) decks within the Limited Lifetime Warranty.

Armor Protected Stamped Deck Shell Example Below



Armor Protected
Stamped Deck Shell
Reinforced area

Fabricated Deck Shell Example Below



Stamped Deck Shell below, NOT reinforced



No reinforced area

⚠️ REGLAS DE SEGURIDAD ⚠️

IMPORTANTE: ESTA MAQUINA CORTADORA ES CAPAZ DE AMPUTAR LAS MANOS Y LOS PIES Y DE LANZAR OBJETOS. SI NO SE OBSERVAN LAS INSTRUCCIONES DE SEGURIDAD SIGUIENTES SE PUEDEN PRODUCIR LESIONES GRAVES O LA MUERTE.



Busque este símbolo que señala las precauciones de seguridad de importancia. Quiere decir – ¡¡¡ATENCIÓN!!! ¡¡¡ESTE ALERTO!!! SU SEGURIDAD ESTA COMPROMETIDA.



PRECAUCIÓN: Siempre desconecte el alambre de la bujía y póngalo donde no pueda entrar en contacto con la bujía, para evitar el arranque por accidente, durante la preparación, el transporte, el ajuste o cuando se hacen reparaciones.



PRECAUCIÓN: El silenciador y otras piezas del motor llegan a ser extremadamente calientes durante la operación y siguen siendo calientes después de que el motor haya parado. Para evitar quemaduras severas, permanezca lejos de estas áreas.

⚠️ADVERTENCIA: Este segadora viene equipado con un motor de combustión interna y no se debe usar sobre, o cerca, de un terreno no desarrollado cubierto de bosques, de arbustos o de césped, o menos que el sistema de escape del motor venga equipado con un amortiguador de chispas que cumpla con las leyes locales o estatales (si existen). Si se usa un amortiguador de chispas, el operador debe mantenerlo en condiciones de trabajo eficientes. Su centro de Servicio más cercano tiene disponible amortiguadores de chispas para el silenciador.

⚠️ADVERTENCIA: Los bornes, terminales y accesorios relativos de la batería contienen plomo o compuestos de plomo, productos químicos conocidos en el Estado de California como causa de cáncer y defectos al nacimiento u otros daños reproductivos. Lavar las manos después de manipularlos.

⚠️ADVERTENCIA: El tubo de escape del motor, algunos de sus constituyentes y algunos componentes del vehículo contienen o desprenden productos químicos conocidos en el Estado de California como causa de cáncer y defectos al nacimiento u otros daños reproductivos.

I. OPERACION

- Antes de empezar, debe familiarizarse completamente con los controles y el uso correcto de la máquina. Para esto, debe leer y comprender todas las instrucciones que aparecen en la máquina y en los manuales de operación.
- No ponga las manos o los pies cerca o debajo de las partes rotatorias. Manténgase siempre lejos de la abertura de la descarga.
- Permita que solamente las personas responsables que estén familiarizadas con las instrucciones operen la máquina.
- Despeje el área de objetos tales como piedras, juguetes, alambres, huesos, palos, etc. que pueden ser recogidos y lanzados por las cuchillas.
- Asegúrese que el área no se hallen personas, antes de segar. Pare la máquina si alguien entra en el área.
- No opere la máquina sin zapatos o con sandalias abiertas. Póngase siempre zapatos sólidos.
- No tire de la segadora hacia atrás a menos que sea absolutamente necesario. Mire siempre hacia abajo y hacia detrás antes y mientras que se mueve hacia atrás.
- Nunca dirigir el material descargado hacia las personas. Evitar descargar material contra paredes o barreras. El material puede retornar al operador. Para la cuchilla cuando se pasa por superficies de grava.
- No opere la segadora sin los respectivos resguardos, las placas, el recogedor de césped u otros aditamentos diseñados para su protección y seguridad.
- Refiérase a las instrucciones del fabricante para el funcionamiento e instalación de accesorios. Use únicamente accesorios aprobados por el fabricante.

- Detenga la cuchilla o las cuchillas cuando cruce por calzadas, calles o caminos de grava.
- Parar el motor cada vez que se abandona el aparato, antes de limpiar la segadora o de remover residuos del tubo.
- Apagar el motor y esperar hasta que las cuchillas estén completamente paradas antes de remover el receptor de hierba.
- Segar solamente con luz del día o con una buena luz artificial.
- No opere la máquina bajo la influencia del alcohol o de las drogas.
- Nunca opere la máquina cuando la hierba esté mojada. Asegúrese siempre de tener buena tracción en sus pies; mantenga el mango firmemente y camine; nunca corra.
- Desconectar el mecanismo de propulsión autónoma o el embrague de transmisión en las segadoras que lo tienen antes de poner en marcha el motor.
- Si el equipo empezara a vibrar de una manera anormal, pare el motor y revise de inmediato para averiguar la causa. Generalmente la vibración suele indicar que existe alguna avería.
- Siempre use gafas de seguridad o anteojos con protección lateral cuando opere la segadora.

II. OPERACION SOBRE LAS CUESTAS

Los accidentes ocurren con más frecuencia en las cuestas. Estos accidentes ocurren debido a resbaladas o caídas, las cuales pueden resultar en graves lesiones. Operar la recortadora en cuestas requiere mayor concentración. Si se siente inseguro en una cuesta, no la recorte.

HACER:

- Puede recortar a través de la superficie de la cuesta, nunca hacia arriba y hacia abajo. Proceda con extrema precaución cuando cambie de dirección en las cuestas.
- Renueva todos los objetos extraños, tales como guijarros, ramas, etc.
- Debe prestar atención a hoyos, baches o protuberancias. Recuerde que la hierba alta puede esconder obstáculos.

NO HACER:

- No recorte cerca de pendientes, zanjas o terraplenes. El operador puede perder la tracción en los pies o el equilibrio.
- No recorte cuestas demasiado inclinadas.
- No recorte en hierba mojada. La reducción en la tracción de la pisada puede causar resbalones.

III. NIÑOS

Se pueden producir accidentes trágicos si el operador no presta atención a la presencia de los niños. A menudo, los niños se sienten atraídos por la máquina y por la actividad de la siega. Nunca suponga que los niños van a permanecer en el mismo lugar donde los vio por última vez.

- Mantenga a los niños alejados del área de la siega y bajo el cuidado estricto de otra persona adulta responsable.
- Esté alerta y apague la máquina si hay niños que entran al área.
- Antes y cuando este retrocediendo, mire hacia atrás y hacia abajo para verificar si hay niños pequeños.
- Nunca permita que los niños operen la máquina.
- Tenga un cuidado extra cuando se acerque a esquinas donde no hay visibilidad, a los arbustos, árboles u otros objetos que pueden interferir con su línea de visión.

⚠️ADVERTENCIA: LOS NIÑOS PUEDEN RESULTAR HERIDOS POR ESTE EQUIPO. La Academia Americana de Pediatría recomienda que los cortacésped de conductor a pie sean manejados por personas de al menos 12 años de edad, mientras que los cortacésped de conductor montado sean operados por personas de al menos 16 años de edad.

- Cuando cargue o descargue la máquina, no sobrepase el ángulo máximo recomendado de operación de 15°.
- Utilice equipo de protección personal (EPP) cuando utilice esta máquina, incluyendo (como mínimo) calzando resistente, protección ocular y protección auditiva. No corte el césped con calzado corto ni abierto.

Ponga en conocimiento de los demás que está cortando el césped.

IV. MANEJO SEGURO DE GASOLINA

Usar mucha atención cuando se maneja gasolina. La gasolina es extremadamente inflamable y los vapores son explosivos.

- Apagar todos los cigarrillos, cigarros, pipas y otras fuentes de ignición.
- Usar solo un contenedor apropiado.
- Nunca quitar el tapón de la gasolina o añadir carburante con el motor en marcha. Esperar que el motor se enfríe antes de repostar la gasolina.
- Nunca repostar la máquina al interior de un local.
- Nunca guardar la máquina o el contenedor de gasolina donde hay una llama abierta, chispa o luz piloto como una caldera u otros dispositivos.
- Nunca llenar contenedores en un vehículo, en un camión o caravana con un forro de plástico. Colocar siempre los contenedores en el suelo lejos de su vehículo antes de llenar.
- Quitar equipos que funcionan con gasolina del camión o caravana y repostar en el suelo. Si esto no es posible, repostar dicho equipo con un contenedor portátil, más bien que con una tobera de gasolina.
- Mantener la tobera en contacto con el bordo del depósito de carburante o de la apertura del contenedor siempre hasta terminar el abastecimiento. No usar un dispositivo de cierre-apertura de la tobera.
- Si el carburante cae en la ropa que se lleva, cambiársela inmediatamente.
- Nunca llenar en exceso el depósito de carburante. Colocar el tapón de la gasolina y apretar de modo seguro.

V. SERVICIO

- Nunca haga funcionar una máquina dentro de un área cerrada.
- Nunca haga ajustes o reparaciones mientras el motor esté en marcha. Desconecte el cable de la bujía, y manténgalo a cierta distancia de ésta para prevenir un arranque accidental.
- Mantenga las tuercas y los pernos, especialmente los pernos del accesorio de la cuchilla, apretados y mantenga el equipo en buenas condiciones.
- Nunca manipule de forma indebida los dispositivos de seguridad. Controle regularmente su funcionamiento correcto.
- Mantenga la máquina libre de hierba, hojas u otras acumulaciones de desperdicio. Limpie los derrames de aceite o combustible. Permita que la máquina se enfríe antes de almacenarla.
- Pare e inspeccione el equipo si le pega a un objeto. Repárelo, si es necesario, antes de hacerlo arrancar.
- En ningún caso hay que regular la altura de las ruedas mientras el motor está en marcha.
- Los componentes del receptor de la hierba van sujetos a desgaste, daños y deterioro, que pueden exponer las partes en movimiento o permitir que objetos sean disparados. Controlar frecuentemente y cuando sea necesario sustituir con partes aconsejadas por el fabricante.
- Las cuchillas de la segadora están afiladas y pueden cortar. Cubrir las hojas o llevar guantes, y utilizar precauciones especiales cuando se efectúa mantenimiento sobre las mismas.
- No cambie el ajuste del regulador del motor ni exceda su velocidad.
- Mantener o sustituir las etiquetas de seguridad e instrucciones, cuando sea necesario.

FELICITACIONES por la compra de su segadora. Ha sido diseñado, planificado y fabricado para darle la mejor confiabilidad y el mejor rendimiento posible.

En el caso de que se encuentre con cualquier problema que no pueda solucionar fácilmente, haga el favor de ponerse en contacto con un centro de servicio cualificado. Cuenta con técnicos bien capacitados y competentes y con las herramientas adecuadas para darle servicio o para reparar este tractor.

Haga el favor de leer y de guardar este manual. Estas instrucciones le permitirán montar y mantener su unidad en forma adecuada. Siempre observe las "REGLAS DE SEGURIDAD."

<p>NÚMERO DE SERIE: _____</p> <p>FECHA DE COMPRA: _____</p> <p>EL NÚMERO DEL MODELO Y EL DE SERIE SE ENCUENTRAN EN LA CALCOMANIA ADJUNTA A LA PARTE TRASERA DE LA CAJA DE LA SEGADORA. DEBE REGISTRAR TANTO EL NÚMERO DE SERIE COMO LA FECHA DE COMPRA Y MANTENGA LOS EN UN LUGAR SEGURO PARA REFERENCIA EN EL FUTURO.</p>
--

ESPECIFICACIONES DEL PRODUCTO

Capacidad y Tipo de Gasolina:	1.6 Cuartos (Regular sin Plomo)
Tipo de Aceite: (API SG-SL)	SAE 30 (Sobre 0°C/32°F) SAE 5W30 (Debajo 0°C/32°F)
Capacidad de Aceite:	18 Onzas
Bujía (Abertura: .020")	Champion RJ2YLE
Torsión del Perno de la Cuchilla:	35-40 ft. lbs.

RESPONSABILIDADES DEL CLIENTE

- Lea y observe las reglas de seguridad.
- Siga un programa regular de mantenimiento, cuidado y uso de su tractor.
- Siga las instrucciones descritas en las secciones "Mantenimiento" y "Almacenamiento" de este Manual del Dueño.

TABLA DE MATERIAS

REGLAS DE SEGURIDAD	23-24
ESPECIFICACIONES DEL PRODUCTO	24
RESPONSABILIDADES DEL CLIENTE	24
MONTAJE/PRE OPERACIÓN	25-26
OPERACIÓN.....	27-32

PROGRAMA DE MANTENIMIENTO	33
MANTENIMIENTO	33-36
SERVICIO Y AJUSTES.....	36-37
ALMACENAMIENTO	37-38
IDENTIFICACIÓN DE PROBLEMAS	38-39
GARANTIA.....	40-43

MONTAJE / PRE-OPERACIÓN

Lea estas instrucciones y el manual completamente antes de tratar de montar u operar su segadora nueva. **IMPORTANTE:** Este cortacesped viene SIN ACEITE O GASOLINA en el motor. Su segadora nueva ha sido montada en la fábrica con la excepción de aquellas partes que se dejaron sin montar por razones de envío. Todas las partes como las tuercas, las arandelas, los pernos, etc., que son necesarias para completar el montaje han sido colocadas en la bolsa de partes. Para asegurarse que su segadora funcione en forma segura y adecuada, todas las partes y los artículos de ferretería que se monten tienen que ser apretados seguramente. Use las herramientas correctas, como sea necesario, para asegurar que se aprieten adecuadamente.

PARA REMOVER LA SEGADORA DE LA CAJA DE CARTÓN

1. Remueva las partes sueltas que se incluyen con la segadora.
2. Corte las dos esquinas de los extremos de la caja de cartón y tienda el panel del extremo plano.
3. Remueva todo el material de empaque, excepto la cuña entre el mango superior y el inferior, y la cuña que sujeta la barra de los control que exige la presencia del operador junto con el mango superior.
4. Haga rodar la segadora hacia afuera de la caja de cartón y revisela cuidadosamente para verificar si todavía quedan partes sueltas adicionales.

COMO PREPARAR SU SEGADORA

PARA DESDOBLAR EL MANGO (Vea Figs. 1 y 2)

IMPORTANTE: DESPLIEGUE EL MANGO CON MUCHO CUIDADO PARA NO PELLIZCAR O DAÑAR LOS CABLES DE CONTROL.

1. Levante los mangos hasta que la sección del mango inferior y alinee los pernos del mango inferior con los agujeros en los soportes del mango.
2. Inserte pernos de mango a través de mango inferiores y los soportes del mango; Asegure con manillas ("standard") inferiores.
3. Retire el protector acolchado, aumentar la sección del mango superior en su lugar en el mango inferior y apriete ambas manillas superiores ("star").
4. Remueva el material de empaque de alrededor de la barra de control.

El mango de la segadora puede ajustarse según le acomode para segar. Refiérase a "AJUSTE DEL MANGO" en la Sección de Servicio y Ajustes de este manual.

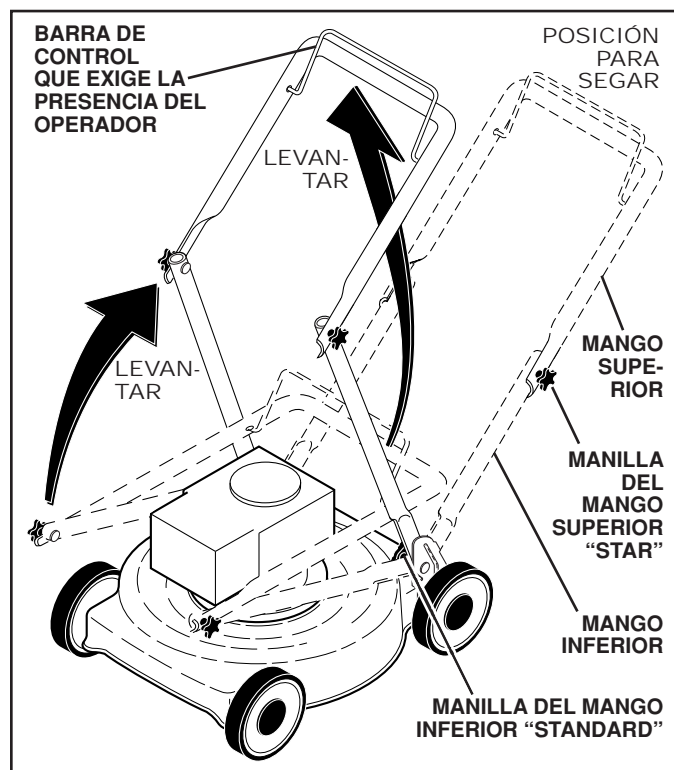


FIG. 1

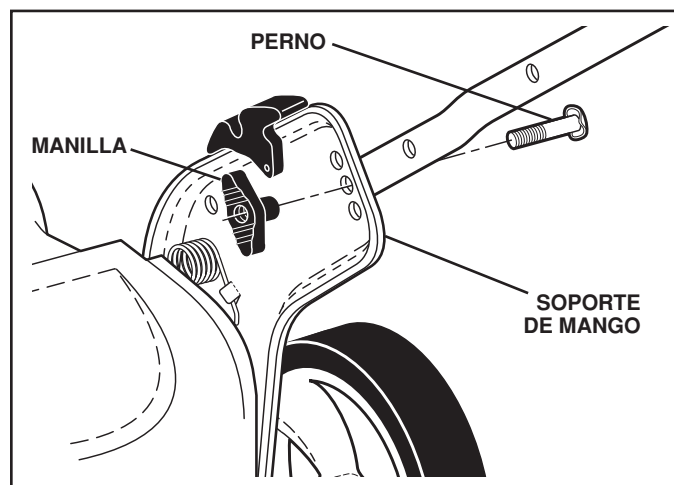


FIG. 2

MONTAJE / PRE-OPERACIÓN

PARA MONTAR EL RECOGEDOR DE CÉSPED

(Vea Fig. 3)

1. Ponga el bastidor del recogedor de césped en la bolsa del césped con la parte rígida de la bolsa en la parte inferior. Asegúrese que el mango del bastidor esté en el exterior de la parte superior de la bolsa.
2. Deslice los sujetadores de vinilo sobre el bastidor.

AVISO: Si los sujetadores de vinilo están muy duros, métalos en agua caliente por algunos minutos. Si se moja la bolsa, déjela que se seque antes de usarla.

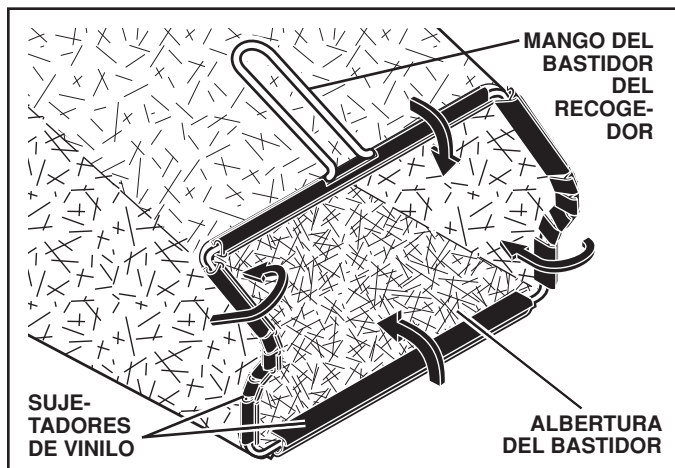


FIG. 3

INSTALACIÓN DEL CORDÓN ARRANCADOR

(Vea Fig. 4)

1. Afloje una manilla-T.
2. Mueva la palanca de control de aceleración del motor a la posición de "STOP".
3. Lentamente tire el cordón arrancador del motor hacia afuera hasta que se deslice dentro la parte redondeada de la guía del cordón.
4. Apriete una manilla-T.

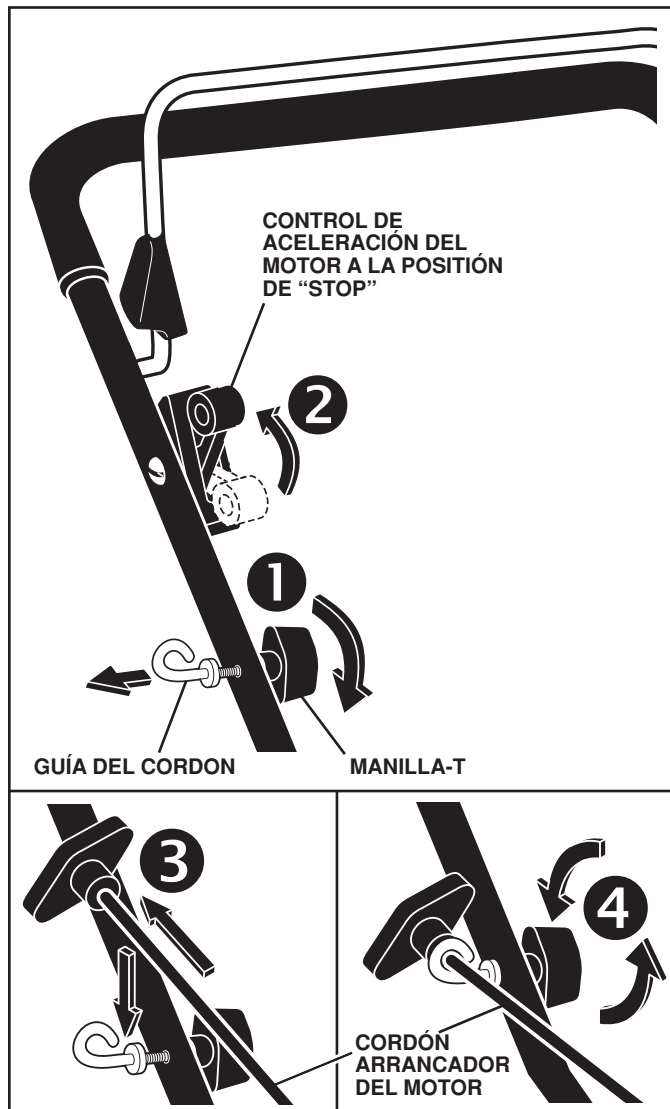


FIG. 4

PARA INSTALAR LOS ACCESORIOS

Su segadora fue enviada lista para usarse como una acolchadora de capa vegetal. Para convertirla de modo que pueda ensacar o descargar, refiérase a "PARA CONVERTIR LA SÉGADORA" en la Sección de Operación de este manual.

OPERACIÓN

FAMILIARÍCESE CON SU SEGADORA

LEA ESTE MANUAL DEL DUEÑO Y LAS REGLAS DE SEGURIDAD ANTES DE OPERAR SU SEGADORA.

Compare las ilustraciones con su segadora para familiarizarse con la ubicación de los diversos controles y ajustes. Guarde este manual para referencia en el futuro.

Estos símbolos pueden aparecer sobre su segadora o en la literatura proporcionada con el producto. Aprenda y comprenda sus significados.



ATENCIÓN O
ADVERTENCIA



MOTOR
ENCENDIDO



MOTOR
APAGADO



RÁPIDO



LENTO



ESTRANGU-
LACIÓN



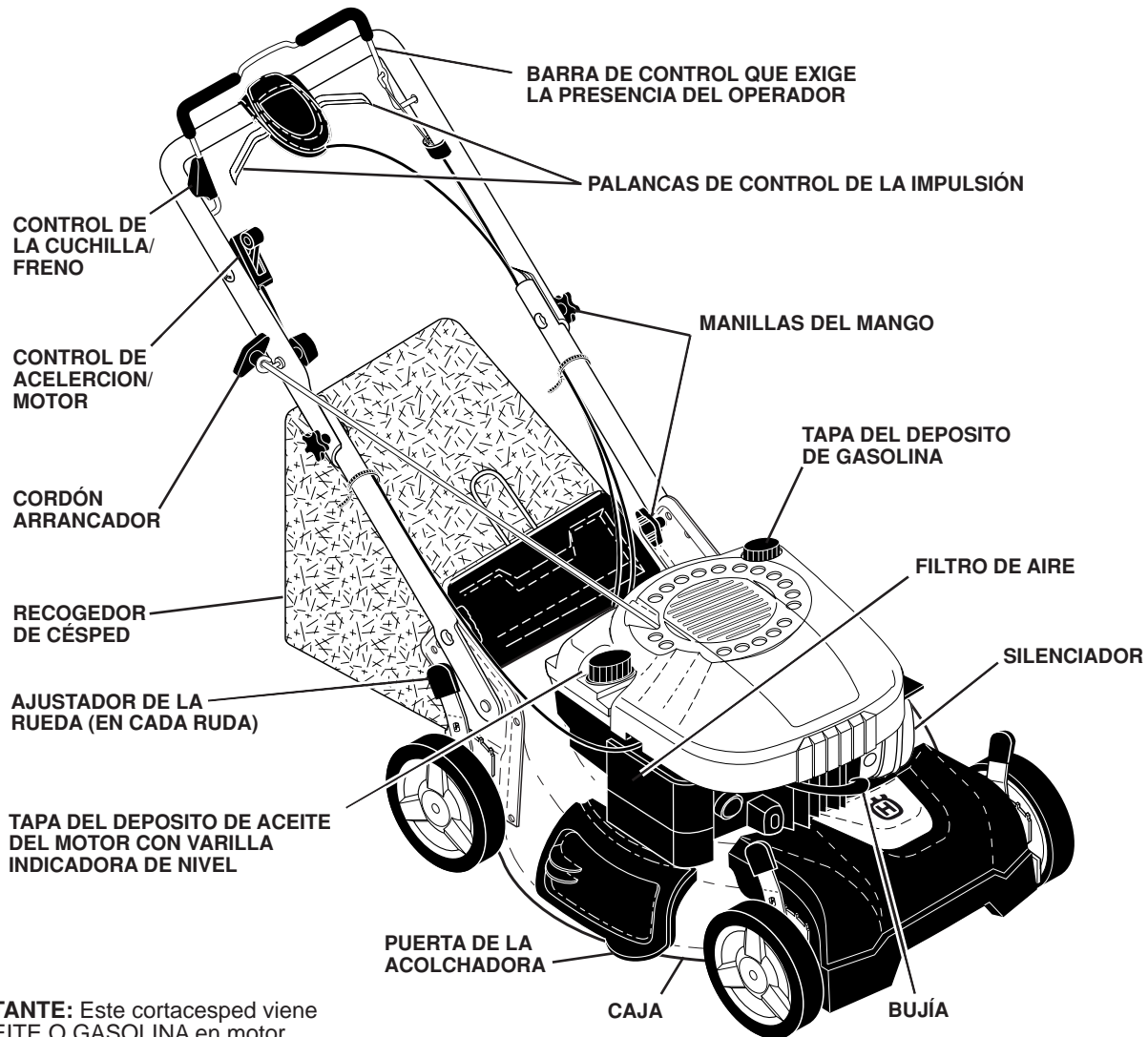
COM-
BUSTIBLE



ACEITE



PELIGRO, GUARDE LAS
MANOS Y LOS PIES LEJOS



IMPORTANTE: Este cortacesped viene SIN ACEITE O GASOLINA en motor.

Esta máquina puede utilizar gasolina con un contenido de hasta el 10% de etanol (E10). El uso de una gasolina que supere el 10% de etanol (E10) anulará la garantía del producto.

CUMPLE CON LOS REQUISITOS DE SEGURIDAD DE LA CPSC

Nuestras segadoras a motor, que se conducen desde la parte de atrás, rotatorias, cumplen con los estándares de seguridad del American National Standards Institute y del U.S. Consumer Product Safety Commission.

BARRA DE CONTROL QUE EXIGE LA PRESENCIA DEL OPERADOR – tiene que sujetarse abajo, junto con el mango, para hacer arrancar el cuchilla. Suéltela para parar el cuchilla.

CONTROL DE ACELERACION/MOTOR – se usa para hacer arrancar y parar el motor y le permite seleccionar la velocidad del motor de ya sea RÁPIDA o LENTA.

CORDON ARRANADOR – se usa para hacer arrancar el motor.

CONTROL DE LA CUCHILLA/FRENO – se usa para enganchar la cuchilla después de que ha arrancado el motor.

PALANCAS DE CONTROL DE LA IMPULSIÓN – se usa para enganchar la segadora para movimiento hacia adelante impulsada a motor.

PUERTA DE LA ACOLCHADORA – permite la conversión para la operación de descarga o ensacado.

OPERACIÓN



La operación de cualquier segadora puede hacer que salten objetos extraños dentro de sus ojos, lo que puede producir daños graves en éstos. Siempre use anteojos de seguridad o protección para los ojos mientras opere su segadora o cuando haga ajustes o reparaciones. Recomendamos gafas o una máscara de seguridad de visión amplia de seguridad usada sobre las gafas.

COMO USAR SU SEGADORA

MANDO MOTOR (Vea Fig. 5)

El motor se acciona a través de un mando de mariposa situado en el lado del mango superior. La posición PARTIDA se utiliza para poner en marcha el motor; la posición RAPIDO se utiliza para poner en marcha un motor tibio, para un corte y acabado mejores y para ensacar mejor la hierba; la posición LENTA se utiliza para un corte ligero, para realizar los acabados y para ahorrar carburante; la posición STOP se utiliza para parar el motor.

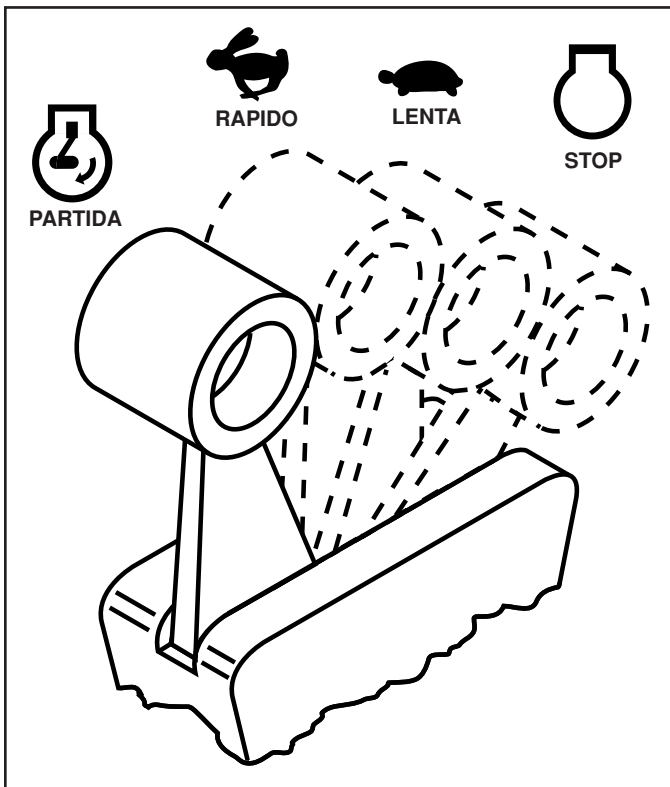


FIG. 5

CONTROL DE LA CUCHILLA (Vea Fig. 6)



PRECAUCIÓN: Cuando el mando de la cuchilla está accionado, la cuchilla gira.

- Para accionar la cuchilla, hacia el mango y presionar la palanca de mando cuchilla/freno hacia adelante (1) abajo mantener la barra de control que exige la presencia del operador (2). Para detener la cuchilla, soltar la palanca de control que exige la presencia del operador.

Dejar que el motor frío se caliente en la posición en vacío por un minuto antes de accionar la cuchilla.

NOTA: Es normal oír el deslizamiento de la correa mientras la cuchilla se acciona y alcanza su velocidad prevista.

- No accionar la cuchilla en presencia de hierba muy alta por cortar. Llevar la segadora fuera de la hierba alta antes de accionar la cuchilla.



PRECAUCIÓN: Las normativas federales requieren que este mando de cuchilla/freno minimice el riesgo de heridas provocadas por el contacto con la cuchilla. En ningún caso intentar anular las funciones de mando.

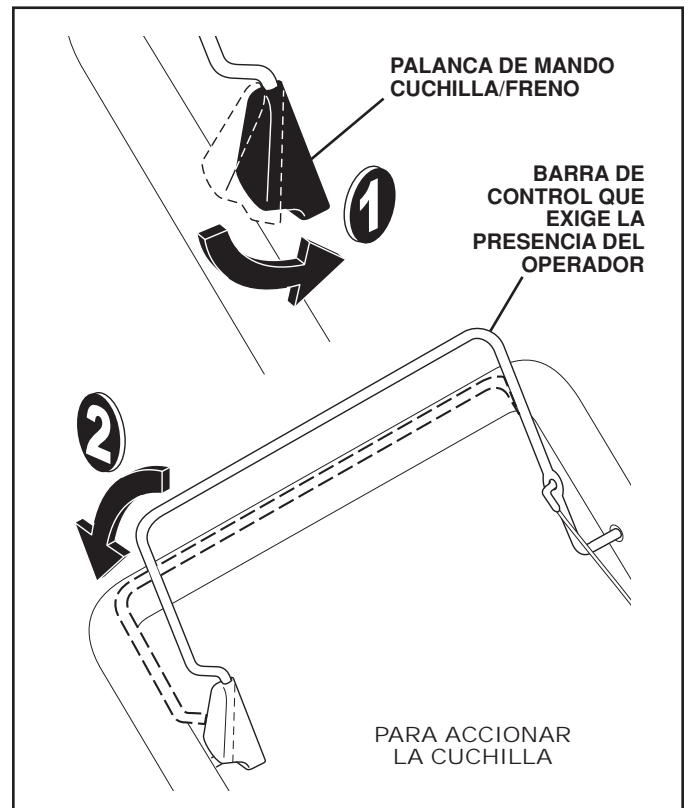


FIG. 6

OPERACIÓN

CONTROL DE LA IMPULSIÓN (Vea Fig. 7)

- La autopropulsión se controla manteniendo tirando cualquiera palanca de accionamiento atrás hacia el mango. Cuanto más lejos se tira cualquiera palanca hacia el mango, más rápida irá la unidad.
- Para detener el movimiento hacia adelante sin apagar el cuchilla, soltar cualquiera palanca de accionamiento.

AVISO: Si después haber desenganchado de la palanca de control, la segadora no roda hacia atrás, empuje la segadora un poco hacia adelante para desenganchar las ruedas de la impulsión.

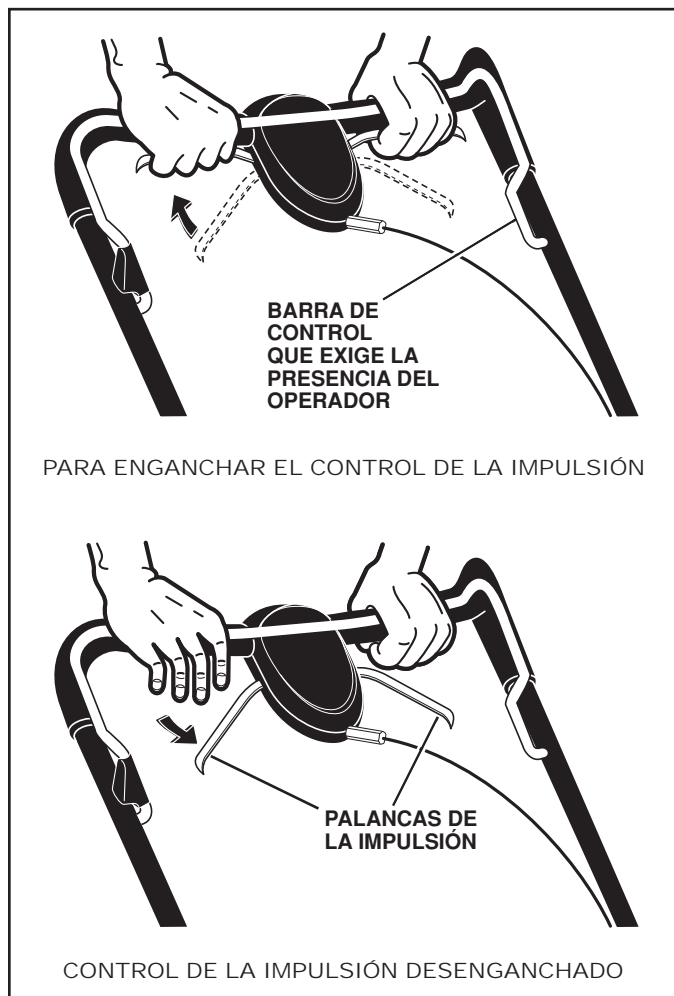


FIG. 7

AJUSTE DEL MANDO (Vea Fig. 8)

Ocasionalmente, el sistema de mando puede "aflojarse", provocando una disminución de la velocidad. Hay un torniquete en la sede del mando para apretar la tensión del cable. Proceder de la siguiente manera:

1. Apagar la unidad y desconectar el cable de bujía de la bujía.
2. Vuelva el torniquete para aumentar la velocidad del mecanismo.
3. Opere la segadora para probar la velocidad del mecanismo. Reajuste según lo requerido.
4. Si las condiciones no mejoran después de los pasos descritos (la velocidad hacia adelante queda la misma), la correa de transmisión está desgastada y tiene que ser sustituida.

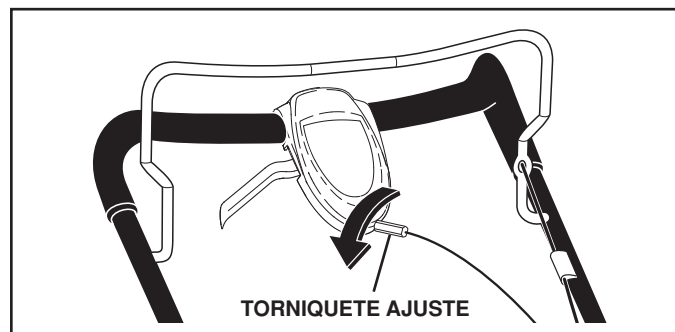


FIG. 8

PARA AJUSTAR LA ALTURA DE CORTE (Vea Fig. 9)

Levante las ruedas para el corte bajo y baje las ruedas para el corte alto., ajuste la altura de corte para que se acomode a sus requisitos. La posición del medio es la mejor para la mayoría de los céspedes.

- Para cambiar la altura de corte, empuje la palanca del ajustador hacia la rueda. Mueva la rueda hacia arriba o hacia abajo de modo que se acomode a sus requisitos. Asegúrese que todas las ruedas queden igualmente ajustadas.

AVISO: El ajustador esta correctamente colocado cuando las orejas de la placa están insertadas en el agujero del mango. También, los ajustes de 9 posiciones (si equipado) permiten que el mango pueda ser movido entre las orejas de la placa.

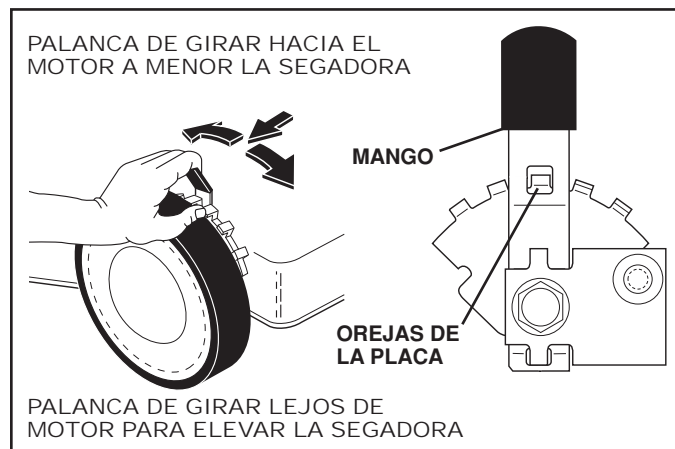


FIG. 9

OPERACIÓN

PARA CONVERTIR LA SEGADORA

Su segadora fue enviada lista para usarse como acolchadora de capa vegetal. Para convertirla a una operación de ensacado o de descarga:

DESCARGA TRASERA (Vea Fig. 10):

- Levantar la puerta trasera de cortacésped y colocar los ganchos del armazón de la recolectora de hierba en los soportes del recogedor de césped.
- Para pasar a la operación de acolchamiento, remover la recolectora de hierba y cerrar la puerta trasera.

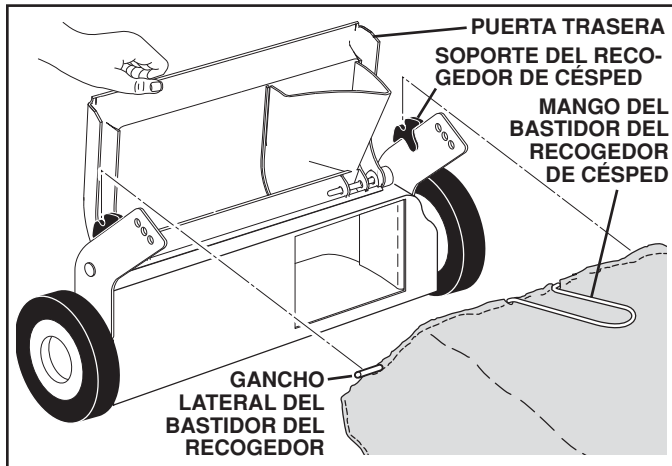


FIG. 10

PASOS SIMPLES DE RECORDAR CUANDO CONVIERTA SU SEGADORA

PARA ACOLCHAMIENTO -

1. La puerta trasera cerrada.
2. La protección contra la descarga cerrada y trabado.

PARA ENSACAMIENTO TRASERO -

1. Recogedor del césped instalado.
2. La protección contra la descarga cerrada y trabado.

PARA DESCARGA LATERAL-

1. La puerta trasera cerrada.
2. La desviador de la descarga instalada.



PRECAUCIÓN: No haga funcionar su segadora sin la placa de la acolchadora sin el recogedor césped aprobados en su lugar. Nunca trate de operar la segadora cuando se halla removido la puerta trasera o cuando se ha removido a puerta trasera o cuando está un poco abierta.

DESCARGA LATERAL (Vea Fig. 11):

- La puerta trasera tiene que estar cerrada.
- Abra la protección contra la descarga y instale el desviador de contra la descarga debajo de la protección como se muestra.
- La segadora esta lista para la operación de la descarga.
- Para convertir a la operación de ensacado o de descarga, el desviador de la descarga debe ser removido y la protección contra la descarga debe estar cerrada y trabado.



FIG. 11

OPERACIÓN

PARA VACIAR EL RECOGEDOR DE CÉSPED

(Vea Fig. 12)

1. Levante el recogedor de césped usando el mango del bastidor.
2. Remueva el recogedor de césped, con los recortes, de debajo del mango de la segadora.
3. Vacíe los recortes de la bolsa.

AVISO: No arrastre la bolsa cuando la vacíe; se producirá un desgaste innecesario.

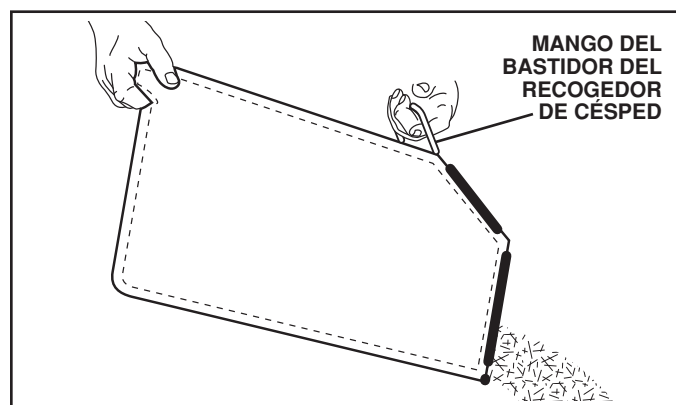


FIG. 12

ANTES DE HACER ARRANCAR EL MOTOR

AGREGUE ACEITE (Vea Fig. 13)

IMPORTANTE:

Su segadora fue enviada sin aceite en el motor. Para el tipo y el grado del aceite a utilizar, vea el "MOTOR" en la sección del Mantenimiento de este manual.



PRECAUCIÓN: NO sobrellene el motor con aceite, o fumará pesa demante del silenciador cuando lo valla a arrancar.

AVISO: El terraplén inicial del aceite requiere solamente 18 onzas debido al aceite residual en el motor de la prueba de calidad de 100% del fabricante. Al cambiar el aceite puede necesitar 20 onzas.

1. Asegúrese que la segadora esté nivelada.
2. Remueva la varilla medidora de aceite del tubo de descarga de aceite.
3. Usted recibe un envase de aceite con la unidad. Vierta lentamente el envase entero de aceite en el tubo de relleno del motor.
4. Inserte y apriete la varilla medidora de aceite.

IMPORTANTE:

- Revise el nivel del aceite antes de cada uso. Agregue aceite si es necesario. Llene hasta la línea de lleno en la varilla medidora de nivel.
- Cambie el aceite después de 25 horas de operación o una vez por temporada. Puede necesitar cambiar el aceite más a menudo cuando las condiciones son polvorosas o sucias. Vea "PARA CAMBIAR EL ACEITE DEL MOTOR" en la sección de Mantenimiento de este manual.

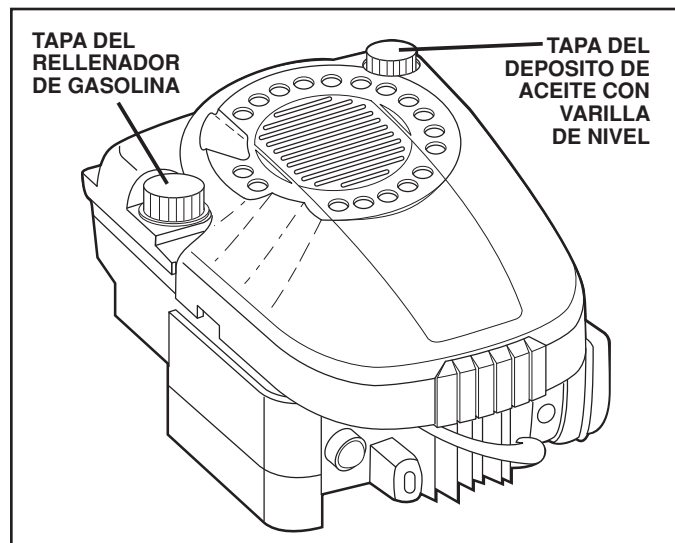


FIG. 13

AGREGUE GASOLINA (Vea Fig. 13)

- Llène el estanque de combustible hasta la parte inferior del cuello de relleno del estanque de gasolina. No lo llene demasiado. Use gasolina regular, sin plomo, nueva y limpia con el mínimo de 87 octanos. No mezcle el aceite con la gasolina. Para asegurar que la gasolina utilizada sea fresca compre estanques los cuales puedan ser utilizados durante los primeros 30 días.



PRECAUCIÓN: Limpie el aceite o el combustible derramado. No almacene, derrame o use gasolina cerca de una llama expuesta.

Los combustibles mezclados con alcohol (conocidos como gasohol, o el uso de etanol o metanol) pueden atraer la humedad, la que conduce a la separación y formación de ácidos durante el almacenamiento. La gasolina ácida puede dañar el sistema del combustible de un motor durante el almacenamiento. Para evitar los problemas con el motor, se debe vaciar el sistema del combustible antes de guardarlo por un período de 30 días o más. Vacíe el estanque del combustible, haga arrancar el motor y hágalo funcionar hasta que las líneas del combustible y el carburador queden vacíos. La próxima temporada use combustible nuevo. Vea las Instrucciones Para El Almacenamiento para más información. Nunca use productos de limpieza para el motor o para el carburador en el estanque del combustible pues se pueden producir daños permanentes.

OPERACIÓN

PARA PARAR EL MOTOR (Vea Fig. 14)

- Para parar el motor, mueva la control de aceleración/motor a la posición de STOP.

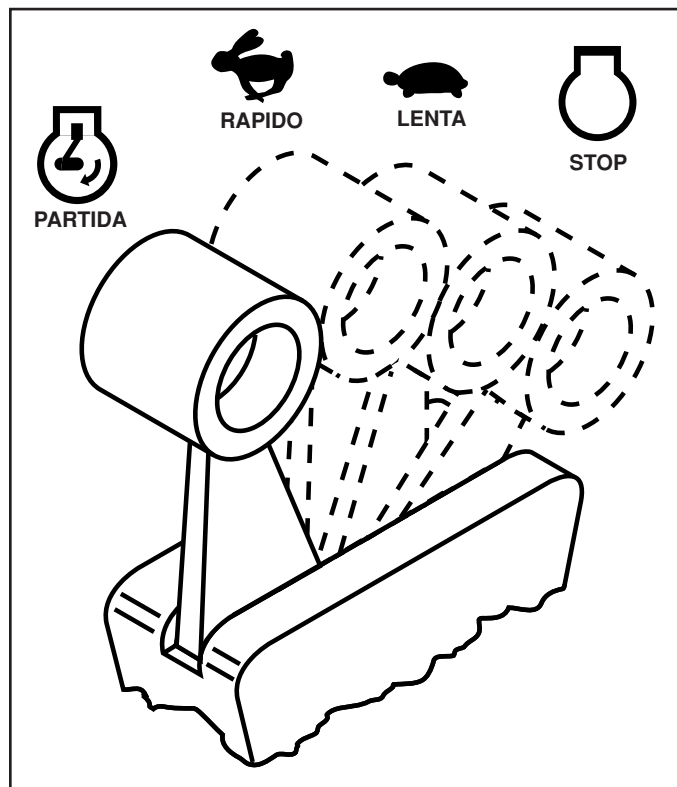


FIG. 14

PARA HACER ARRANCAR EL MOTOR (Vea Fig. 14)

AVISO: Debido a las capas protectoras del motor, una cantidad pequeña de humo puede estar presente durante el uso inicial del producto y se debe considerar normal.

AVISO: Su motor viene equipado con un sistema de estrangulación automático. No requiere ser cebado o obturado antes de arrancar.

- Para hacer arrancar un motor frío, mueva la control de aceleración/motor a la posición de PARTIDA. Este paso normalmente no es necesario cuando se hace arrancar un motor que ya ha estado funcionando por unos cuantos minutos.
- Para hacer arrancar un motor caliente, mueva la control de aceleración/motor a la posición de RAPIDO y tire el mango del arrancador rápidamente. No permita que el cordón arrancador se devuelva abruptamente.

CONSEJOS PARA SEGAR



PRECAUCIÓN: No utilizar dispositivos anti-paja de la hoja en la segadora ya que estos accesorios son peligrosos, pueden dañar su segadora y anular su garantía.

- Bajo ciertas condiciones, tal como césped muy alto, puede ser necesario el elevar la altura del corte para reducir el esfuerzo necesario para empujar la segadora y para evitar sobrecargar el motor, dejando montones de recortes de césped. Puede que sea necesario reducir la velocidad del recorrido y/o haga funcionar la segadora sobre el área por segunda vez.

- Para un corte muy pesado, reduzca el ancho del corte pasando parcialmente por encima del lugar anteriormente cortado y siegue lentamente.
- Para un mejor ensacado del césped y para la mayoría de las condiciones de corte, la velocidad del motor debe ajustarse a la posición de RÁPIDO.
- Los poros en los recogedores de césped de tela pueden llenarse con mugre y polvo con el uso y los recogedores recaudarán menos césped. Para evitar éste, rocíe el recogedor con la manguera de agua, regularmente, y déjelo secarse antes de usarlo.
- Mantenga la parte superior del motor, alrededor del arrancador, despejada y sin recortes de césped y paja. Esto ayudará el flujo del aire del motor y extenderá su duración.

CONSEJOS PARA SEGAR Y ACOLCHAR

IMPORTANTE: PARA OBTENER EL MEJOR RENDIMIENTO MANTENGA LA CAJA DE LA SEGADORA SIN ACUMULACION DE CESPED Y BASURA. VEA "LIMPIEZA" IN LA SECCION MANTENIMIENTO DE ESTE MANUAL.

- La cuchilla acolchadora especial va a volver a cortar los recortes de césped muchas veces, y los reduce en tamaño, de modo que si se caen en el césped se van a dispersar entre éste y no se van a notar. También, el césped acolchado se va a deshacer rápidamente entregando sustancias nutritivas para el césped. Siempre acolche con la velocidad del motor (cuchilla) más alta, pues así se obtendrá la mejor acción de recorte de las cuchillas.
- Evite cortar el césped cuando esté mojado. El césped mojado tiende a formar montones e interfiere con la acción de acolchado. La mejor hora para segar el césped es temprano en la tarde. A esa hora éste se ha secado y el área recién cortada no quedará expuesta al sol directo.
- Para obtener los mejores resultados, ajuste la altura del corte de la segadora de modo que ésta corte solamente el tercio superior de las hojas de césped. En el caso de que el césped haya crecido demasiado, puede ser necesario el elevar la altura del corte para reducir el esfuerzo necesario para empujar la segadora y para evitar sobrecargar el motor, dejando montones de recortes de césped. Para un césped muy pesado, reduzca el ancho del corte pasando por encima del lugar anteriormente cortado y siegue lentamente (vea Fig. 15).

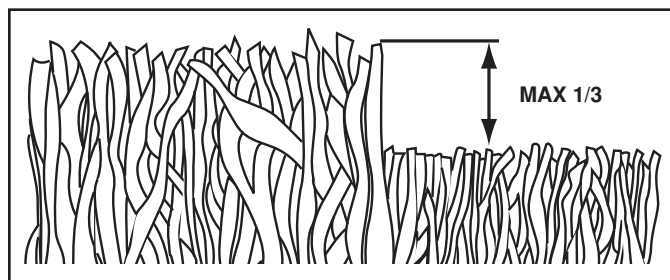


FIG. 15

- Ciertos tipos de césped y sus condiciones pueden exigir que un área tenga que ser acolchada por segunda vez para esconder completamente los recortes. Cuando se haga el segundo corte, siegue atravesado o en forma perpendicular a la pasada del primer corte.
- Cambie su patrón de corte de semana a semana. Siegue de norte a sur una semana y luego cambie de este a oeste la próxima semana. Esto evitará que el césped se enrede y cambie de dirección.

MANTENIMIENTO

PROGRAMA DE MANTENIMIENTO		ANTES DE CADA USO	DESPUES DE CADA USO	CADA 10 HORAS	CADA 25 HORAS O TEMPORADA	CADA 100 HORAS	ANTES DEL ALMACENAMIENTO
SEGA- DORA	Revisar si hay Sujetadores Suelos	✓					✓
	Limpiar/Inspeccionar el Recogedor de Césped *	✓	✓				✓
	Controlar los Neumáticos	✓					
	Controlar las Ruedas Motrices ***	✓					
	Limpiar la Segadora ****		✓				✓
	Limpiar debajo la Cubierta de la Transmisión ***			✓			
	Revisar las Correas y las Poleas Impulsadas ***				✓		
	Revisar / Afilar / Cambiar la Cuchilla				✓ ₃		
	Lubricación				✓		
	Limpiar / Recargar la Batería **				✓		✓ ₄
MOTOR	Revisar el nivel del Aceite	✓ ₅					
	Cambiar el Aceite del motor				✓ _{1,2}		
	Limpiar el Filtro de Aire				✓ ₂		
	Inspeccionar el Silenciador				✓		
	Cambiar la Bujía					✓	
	Cambiar el Cartucho de Papel del Filtro de Aire					✓ ₂	
	Vaciar el sistema del carburante o añadir un estabilizador de carburante.						✓

- * (si viene equipado) 1 - Cambiar más a menudo cuando se opere bajo carga pesada o en ambientes con altas temperaturas.
 ** Segadoras con Arranque Eléctrico 2 - Dar servicio más a menudo cuando se opere en condiciones sucias o polvorosas.
 *** Segadoras con Poder Propulsor 3 - Cambie las cuchillas más a menudo cuando siegue en terreno arenoso.
 **** Utilizar una rasqueta para limpiar debajo de la cubierta del cortacésped 4 - Cargar por 48 horas al fin de la temporada.
 5 - Y después de 5 horas de funcionamiento.

RECOMENDACIONES GENERALES

La garantía de esta segadora no cubre los artículos que han estado sujetos al abuso o a la negligencia del operador. Para recibir todo el valor de la garantía, el operador tiene que mantener la segadora según las instrucciones descritas en este manual.

Hay algunos ajustes que se tienen que hacer en forma periódica para poder mantener su unidad adecuadamente.

Todos los ajustes en la sección de Servicio y Ajustes de este manual tienen que ser revisados por lo menos un vez por cada temporada.

- Una vez al año, revise si la cuchilla está desgastada.
- Siga el Programa de Mantenimiento en este manual.

ANTES DE CADA USO

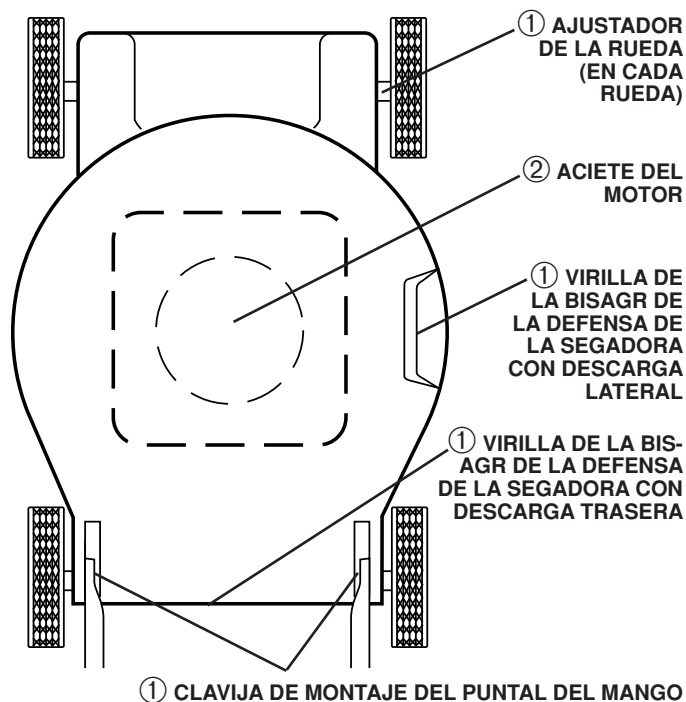
- Revise si hay sujetadores sueltos.
- Deje el cargador de batería conectado por 24 horas antes de encender el motor por primera vez. El LED verde en el cargador se encenderá cuando la batería se carga completamente.

LUBRICACIÓN

Mantenga la unidad bien lubricada (vea la "TABLA DE LUBRICACIÓN").

IMPORTANTE: NO ACEITE O ENGRASE LOS RODAMIENTOS DE LA RUEDA DE PLASTICO. LOS LUBRICANTES VISCOSOS ATRAERAN POLVE Y MUGRE, LO QUE ACORTARA LA DURACIÓN DE LO RODAMIENTOS AUTOLUBRICANTES. SI CREE QUE TIENEN QUE LUBRICARSE, USE SOLAMENTE UN LUBRICANTE TIPO GRAFITO, DE POLVE SECO, EN FORMA MODERADA.

TABLA DE LUBRICACIÓN



① ROCIE EL LUBRICANTE

② VEA "MOTOR" EN LA SECCION DE MANTENIMIENTO

MANTENIMIENTO

SEGADORA

Siempre observe las reglas de seguridad cuando haga el mantenimiento.

LLANTAS

- Mantenga las llantas sin gasolina, aceite o sustancias químicas para control de insectos que pueden dañar la goma.
- Evite los tocones, las piedras, las grietas profundas, los objetos afilados y otros peligros que pueden dañar a las llantas.

RUEDAS DE IMPULSIÓN

Revise las ruedas de impulsión traseras cada vez antes de segar, para asegurarse de que se mueven libremente. Si las ruedas no giran libremente quiere decir que hay basura, recortes de césped, etc. dentro del área de las ruedas de impulsión y de la cubierta contra el polvo y tienen que limpiarse para liberarlas.

Es necesario limpiar las ruedas de impulsión; revise ambas ruedas traseras.

CUIDADO DE LA CUCHILLA (Vea Fig. 16)

Para obtener los mejores resultados, la cuchilla de la segadora tienen que mantenerse afilada. Cambie la cuchilla doblada o dañada.



PRECAUCIÓN: Usar solamente la cuchilla de repuesto aprobada por el fabricante de su segadora. Usar una cuchilla no aprobada por el fabricante de su segadora es peligroso, puede dañar su segadora y anular su garantía.

PARA REMOVER LA CUCHILLA

1. Desconecte el alambre de la bujía y póngalo en donde no pueda entrar en contacto con ésta.
2. Haga descansar la segadora en su lado. Asegúrese que el filtro de aire y que el carburador queden mirando hacia arriba.
3. Use un bloque de madera entre la cuchilla y la caja de la segadora para evitar que la cuchilla gire cuando se le quite el pernos.

AVISO: Proteja sus manos con guantes y/o envuelva la cuchilla con una tela gruesa.

4. Remueva los pernos de la cuchilla girándolo en el sentido contrario en que giran las manillas del reloj.
5. Remueva la cuchilla, las arandelas de calibre y les arandelas de seguridad.

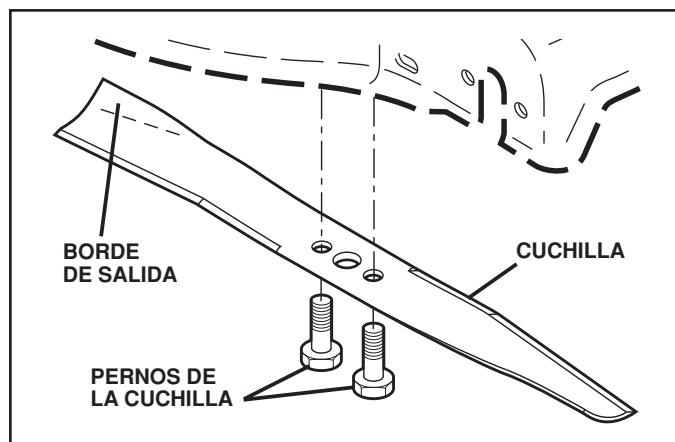


FIG. 16

PARA CAMBIAR LA CUCHILLA

1. Ponga la cuchilla en el Embrague de la Cuchilla/Freno.
 2. Asegúrese de que el borde de salida de la cuchilla (opuesto al borde afilado) esté hacia arriba hacia el motor.
 3. Instale los pernos de la cuchilla en el Embrague de la Cuchilla/Freno.
 4. Use un bloque de madera entre la cuchilla y la caja de la segadora y apriete los pernos de la cuchilla girándolo en el sentido en que giran las manillas del reloj.
- La torsión para apretar recomendada es de 36–44 pies libras.

IMPORTANTE: LOS PERNOS DE LA CUCHILLA ES TRATADO A CALO. SI ES NECESARIO SUSTITUIR LOS PERNOS, SUSTITUIRLOS SÓLO CON PERNOS APROBADOS.

PARA AFILAR LA CUCHILLA

AVISO: No recomendamos el afilar la cuchilla – pero si lo hace, asegúrese de que quede balanceada. Una cuchilla que no está balanceada va a producir eventualmente daño en la segadora o en el motor.

- La cuchilla puede afilarse con una lima o en una rueda rectificadora. No trate de afilarla mientras se encuentra en la segadora.
- Para revisar el balance de la cuchilla, clave un clavo en una viga o en la pared. Deje alrededor de una pulgada de un clavo recto expuesto. Ponga el agujero central de la cuchilla sobre la cabeza del clavo. Si la cuchilla está balanceada debe permanecer en la posición horizontal. Si cualquiera de los extremos de la cuchilla se mueve hacia abajo, afile el extremo pesado hasta que ésta quede balanceada.

RECOGEDOR DE CÉSPED

- El recogedor de césped puede ser rociado con el agua de la manguera pero tiene que estar seco cuando se vaya a usar.
- Revise su recogedor de césped a menudo para verificar si está dañado o deteriorado. Se va a desgastar con el uso normal. Si se necesita cambiar el recogedor, cámbielo solamente por uno que sea aprobado por el fabricante. Dé el número del modelo de la segadora cuando lo ordene.

CAJA DE ENGRANAJES

- Para mantener el sistema de impulsión funcionando en forma adecuada, la caja de engranajes y el área alrededor de la impulsión tienen que mantenerse limpias y sin acumulación de basura. Limpie debajo de la cubierta de la impulsión dos veces por temporada.
- La caja de engranajes se llena con lubricante hasta el nivel adecuado en la fábrica. La única vez que el lubricante necesita atención es cuando se le ha prestado servicio a la caja de engranajes.

MOTOR

LUBRICACIÓN

Use solamente aceite de detergente de alta calidad clasificado con la clasificación SG–SL de servicio API. Seleccione la calidad de viscosidad SAE según su temperatura de operación esperada.

CALIDADES DE VISCOSIDAD DE SAE	
← 5W-30 SAE 30 →	
F	-20 0 30 32 40 60 80 100
C	-30 -20 -10 0 10 20 30 40
GAMA DE TEMPERATURA ANTICIPADA ANTES DEL PROXIMO CAMBIO DE ACEITE	

AVISO: A pesar de que los aceites de multiviscosidad (5W/30, 10W/30, etc.) mejoran el arranque en clima frío, estos aceites de multiviscosidad van a aumentar el consumo de aceite cuando se usan en temperaturas sobre 32° F. Revise el nivel del aceite del motor más a menudo, para evitar un posible daño en el motor, debido a que no tiene suficiente aceite.

MANTENIMIENTO

Cambie el aceite después de 25 horas de operación o por lo menos una vez al año si la segadora se utiliza menos 25 horas el año.

Revise el nivel del aceite del cárter antes de arrancar el motor y después de cada cinco (5) horas de uso continuado. Apriete el tapón del aceite en forma segura cada vez que revise el nivel del aceite.

PARA CAMBIAR EL ACEITE DEL MOTOR (Vea Fig. 17)

AVISO: Antes de inclinar la segadora para drenar el aceite, drene el tanque de combustible haciendo correr el motor hasta que el tanque esté vacío.

1. Desconecte el alambre de la bujía y póngalo de modo que no pueda entrar en contacto con ésta.
2. Remueva la tapa del depósito del aceite; déjela a un lado en una superficie limpia.
3. Incline la cortadora de césped por este costado tal como se muestra y purgue el aceite en un recipiente idóneo. Mueva la segadora de atrás para adelante para remover todo el aceite que se haya quedado atrapado dentro del motor.

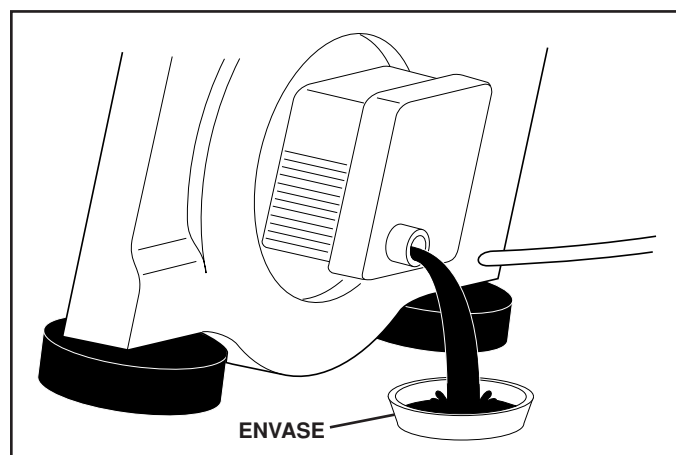


FIG. 17

4. Limpie todo el aceite derramado en la segadora y en el lado del motor.
5. Echar aceite despacio en el conducto del aceite, parándose a intervalos regulares para controlar el nivel del aceite con la varilla.
6. Parar de añadir aceite cuando se alcanza la señal de lleno (FULL) en la varilla. Esperar un minuto para dejar que el aceite se arregle.
7. Continúe agregando cantidades pequeñas de aceite y vuelva a inspeccionar la varilla medidora settles del nivel de aceite en lleno (FULL). NO sobrellene el motor con aceite, o fumará pesa demante del silenciador cuando lo valla a arrancar.
8. Asegúrese de apretar la varilla medidora del aceite antes de arrancar el motor.
9. Vuelva a conectar el alambre de la bujía a ésta.

FILTRO DE AIRE (Vea Fig. 18)

Su motor puede sufrir averías y funcionar de manera incorrecta con un filtro del aire sucio. Sustituir el papel del cartucho una vez al año o tras 100 horas de funcionamiento, más a menudo si se utiliza en condiciones de suciedad y polvo particulares.

PARA LIMPIAR EL FILTRO DE AIRE

1. Suelte el tornillo e incline la cubierta para removerlo.
2. Cuidadosamente, remueva el cartucho.
3. Límpielo golpeándolo suavemente en una superficie plana. Si está muy sucio cambie el cartucho.



PRECAUCIÓN: Los solventes de petróleo, tales como el keroseno, no se deben usar para limpiar el cartucho. Pueden producir el deterioro de éste. No aceite el cartucho. No use aire a presión para limpiarlo o secarlo.

4. Instale el cartucho, luego vuelva a poner la cubierta asegurándose que las orejas estén alineadas con las ranuras en la plancha trasera. Apriete el tornillo en forma segura.

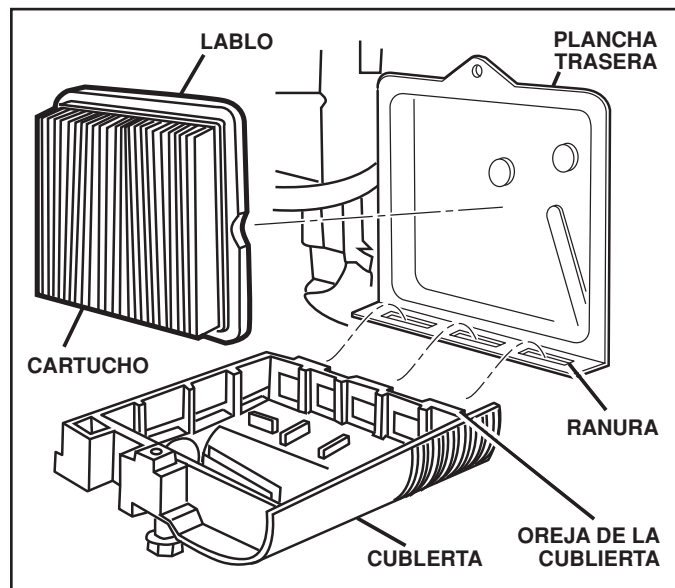


FIG. 18

SILENCIADOR

Inspeccione y cambie el silenciador si está corroído puede producir un peligro de incendio y/o daño.

BUJÍA

Cambie el bujía al comienzo de cada temporada de siega o después de cada 100 horas de operación, lo que suceda primero. El tipo de bujía y el ajuste de la abertura aparecen en "ESPECIFICACIONES DEL PRODUCTO" en la sección de Mantenimiento de este manual.

LIMPIEZA

IMPORTANTE: PARA OBTENER EL MEJOR RENDIMIENTO, MANTENGA LA CAJA DE LA SEGADORA SIN ACUMULACION DE CESPED Y BASURA. LIMPIEN LA PARTE DE ABAJO DE SU SEGADORA DESPUES DE CADA USO.



PRECAUCIÓN: Desconecte el alambre de la bujía y póngalo en donde no pueda entrar en contacto con ésta.

- Limpie la parte inferior de su segadora raspándola para remover la acumulación de césped y basura.
- Limpie el motor a menudo para evitar que se acumule la basura. Un motor tapado funciona más caliente y se acorta su duración.
- Mantenga las superficies pulidas y las ruedas sin gasolina, aceite, etc.
- No recomendamos el uso de una manguera de jardín para limpiar la segadora a menos que el sistema eléctrico, el silenciador, el filtro de aire y el carburador estén tapados para evitar que les entre el agua. El agua en el motor puede acortar la duración de éste.

MANTENIMIENTO

LIMPIE DEBAJO DE LA CUBIERTA DE LA IMPULSIÓN

Limpie debajo de la cubierta de la impulsión por lo menos dos veces cada temporada. Raspe debajo de la cubierta con un cuchillo para masilla o con una herramienta parecida, para remover toda acumulación de césped o basura en la parte inferior de la cubierta de la impulsión.

DERRUBIO DEL AGUA (Vea Fig. 19)

Su cortacéspedes de césped se equipa de una guarnición que permita la limpieza rápida y fácil del superficie inferior de la cubierta. Para utilizar esta característica, siga de la forma siguiente:

1. Mueva el cortacéspedes de césped a un área de la hierba cortada o de otra superficie dura.

NOTA: El agua, la hierba y la otra ruina escurrirán debajo de la cubierta del cortacéspedes durante el proceso del derrubio.

2. Quite el colector de la hierba y descargue el montaje del canal inclinado del cortacéspedes de césped.
3. Cierre la puerta del mulcher (si está equipado).
4. Conecte una manguera del jardín con la guarnición donde demostrado.

IMPORTANTE: SEA SEGURO QUE LA MANGUERA DEL JARDÍN NO ESTÁ ENCAMINADA DEBAJO DE LA CUBIERTA DEL CORTACÉSPEDES DE CÉSPED NI QUE ESTÁ ENREDADA EN LAS RUEDAS.

5. Gire el abastecimiento y la comprobación para de agua escapes en la guarnición.

Si no hay escapes presentes, encienda el motor (según lo descrito en la sección de la operación de este manual) y deje el motor funcionar hasta que el superficie inferior del cortacéspedes de césped está limpio.



ADVERTENCIA: No contrate el sistema de impulsión durante el proceso del derrubio.

6. Apague el motor.
7. Apague el abastecimiento de agua y quite la manguera de la guarnición.



PRECAUCIÓN: No quite la manguera de la guarnición mientras que el motor está funcionando. El agua en motor puede dar lugar a vida acortada del motor.

8. Encienda el motor (según lo descrito en la sección de la operación de este manual) y deje el motor funcionar por un minuto completo para quitar exceso de agua del cortacéspedes.

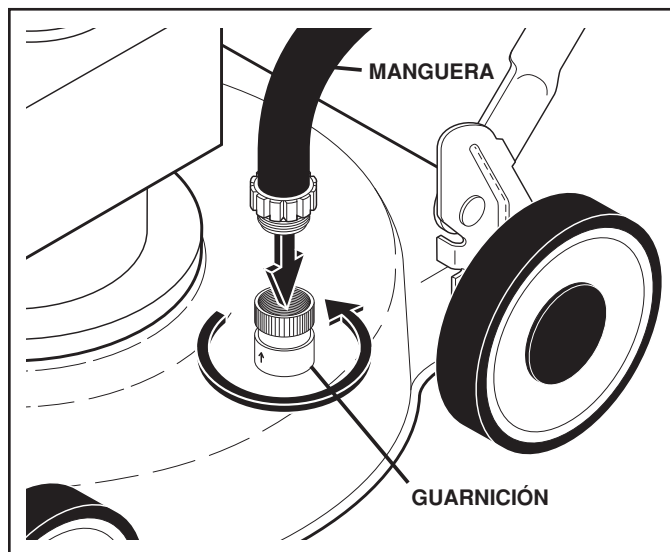


FIG. 19

SERVICIO Y AJUSTES



ADVERTENCIA: Para evitar lesiones serias, antes de dar cualquier servicio o de hacer ajustes:

1. Suelte la barra de control y pare el motor.
2. Asegúrese que la cuchilla y que todas las partes movibles se hayan detenido completamente.
3. Desconecte el alambre de la bujía y póngalo en donde no pueda entrar en contacto con ésta.

SEGADORA

PARA AJUSTAR LA ALTURA DE CORTE

Vea "PARA AJUSTAR LA ALTURA DE CORTE" en la sección de Operación de este manual.

DESVIADOR TRASERO

Se proporciona un desviador trasero, adjunto entre las ruedas traseras de su segadora, para reducir a un mínimo la posibilidad que objetos sean lanzados hacia afuera de la parte trasera de la segadora, en la posición en donde se encuentra el operador. Si se daña el desviador debe cambiarse.

LA CORREA DE IMPULSIÓN

Si su segadora no está funcionando en forma adecuada debido a problemas que se sospecha vienen del correa de impulsión, lleve su segadora a contacto con su centro de servicio Husqvarna o con un otro centro de servicio cualificado para repararla y/o ajustarla.

PARA AJUSTAR EL MANGO (Vea Fig. 20)

El mango de su segadora cuenta con tres (3) posiciones de altura – ajústelo a la altura que le acomode.

1. Remueva la manilla y el perno portador en un lado del mango inferior.
2. Al mismo tiempo que sujeta el conjunto del mango, remueva la manilla y el perno portador del lado opuesto, alinee el agujero en el mango con el agujero deseado en el puntal del mango y vuelva a montar el perno y la manilla y apriételos en forma segura.
3. Alinee el lado opuesto del mango con el agujero de la misma posición y asegúrelos con el perno y la manilla.

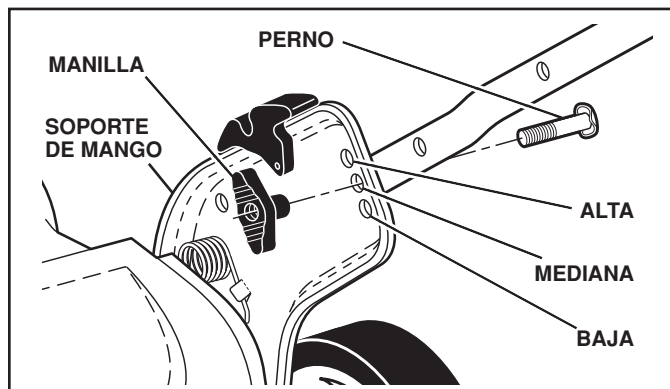


FIG. 20

SERVICIO Y AJUSTES

MOTOR

VELOCIDAD DEL MOTOR

La velocidad del motor ha sido ajustada en la fábrica. No trate de aumentar la velocidad del motor pues se pueden producir lesiones personales. Si cree que el motor está funcionando demasiado rápido o demasiado lento, lleve su segadora a mas con su centro de servicio Husqvarna o con un otro centro de servicio cualificado.

CARBURADOR

Su carburador no es ajustable. Si su motor no está funcionando en forma adecuada debido a problemas que se sospecha vienen del carburador, lleve su segadora a contacto con su centro de servicio Husqvarna o con un otro centro de servicio cualificado para repararla y/o ajustarla.

IMPORTANTE: NUNCA MANIPULE EL REGULADOR DEL MOTOR, EL QUE HA SIDO AJUSTADO EN LA FÁBRICA PARA LA VELOCIDAD DEL MOTOR ADECUADA. PUEDE SER PELIGROSO HACER FUNCIONAR EL MOTOR A UNA VELOCIDAD POR SOBRE EL AJUSTE DE ALTA VELOCIDAD DE LA FÁBRICA. SI CREE QUE LA VELOCIDAD ALTA REGULADA DEL MOTOR NECESITA AJUSTE, CONTACTO CON SU CENTRO DE SERVICIO HUSQVARNA O CON UN OTRO CENTRO DE SERVICIO CUALIFICADO, EL QUE CUENTA CON EL EQUIPO ADECUADO Y LA EXPERIENCIA PARA HACER LOS AJUSTES NECESARIOS.

ALMACENAMIENTO

Inmediatamente prepare su segadora para el almacenamiento al final de cada temporada o si la unidad no se va a usar por 30 días o más.

SEGADORA

Cuando se va a guardar la segadora por cierto período de tiempo, límpiela cuidadosamente, remueva toda la mugre, la grasa, las hojas, etc. Guárdela en un área limpia y seca.

1. Limpie toda la segadora (Vea "LIMPIEZA" en la sección de Mantenimiento de este manual).
2. Lubríquela según se muestra en la sección de Mantenimiento de este manual.
3. Asegúrese de que todas las tuercas y clavijas y todos los pernos y tornillos estén apretados en forma segura. Inspeccione las partes que se mueven para verificar si están dañadas, quebradas o desgastadas. Cámbielas si es necesario.
4. Retoque todas las superficies que estén oxidadas o con la pintura picada; use una lija antes de pintar.

MANGO (Vea Figs. 21 y 22)

Puede doblar el mango de su segadora para el almacenamiento.

1. Suelte las dos manillas del mango "star" en cada lado del mango superior y permita que el mango se doble hacia atrás.
 2. Suelte las dos manillas del mango "standard" en ambos lados del mango inferior y pivote el conjunto entero del mango hacia delante y permita le que se descance sobre la segadora.
 3. Vuelva a poner las manillas "standard" y los pernos al mango inferior o a los puntales del mango para la seguridad.
- Cuando prepare su mango a partir de la posición de almacenamiento, el mango inferior nesecitara cerrarlo manualmente para la posición de sega.

IMPORTANTE: CUANDO DOBLE EL MANGO PARA EL ALMACENAMIENTO O EL TRANSPORTE, ASEGÚRESE QUE LO DOBLE SEGÚN SE MUESTRA O PURDE DAÑAR LOS CABLES DE CONTROL.

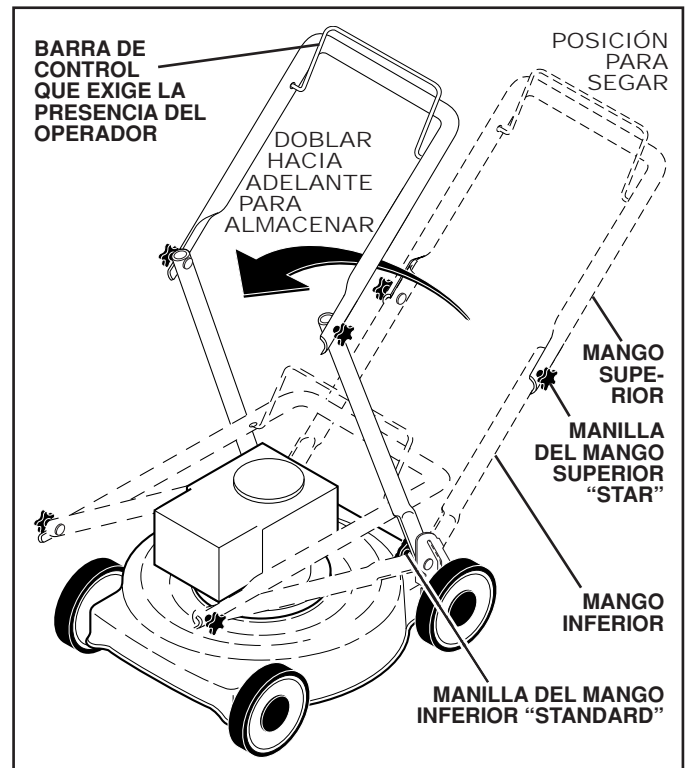


FIG. 21

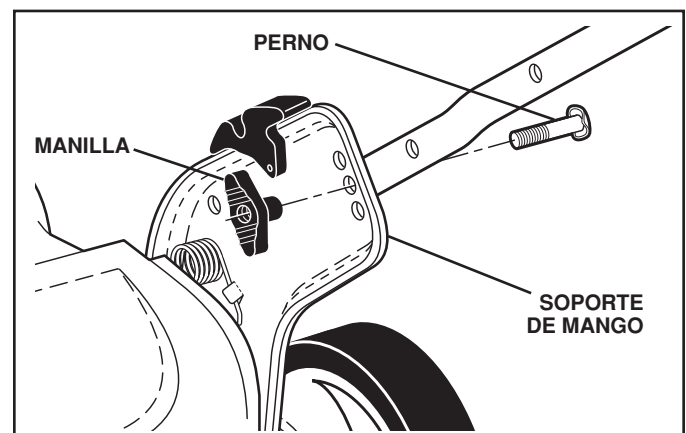


FIG. 22

ALMACENAMIENTO

MOTOR

SISTEMA DE COMBUSTIBLE

IMPORTANTE: ES IMPORTANTE EVITAR QUE SE FORMEN DEPÓSITOS DE GOMA EN PARTES FUNDAMENTALES DEL SISTEMA DE COMBUSTIBLE TALES COMO EL CARBURADOR, EL FILTRO DEL COMBUSTIBLE, LA MANGUERA DEL COMBUSTIBLE O EN EL ESTANQUE DURANTE EL ALMACENAMIENTO. LOS COMBUSTIBLES MEZCLADOS CON ALCOHOL (CONOCIDO COMO GASOHOL O QUE TIENEN ETANOL O METANOL) PUEDEN ATRAER HUMEDAD, LO QUE CONDUCE A LA SEPARACION Y A LA FORMACION DE ACIDOS DURANTE EL ALMACENAMIENTO. LA GASOLINA ACIDICA PUEDE DAÑAR EL SISTEMA DE COMBUSTIBLE DE UN MOTOR DURANTE EL PERIODO DE ALMACENAMIENTO.

- Vaciar el depósito del carburante poniendo en marcha el motor y dejándolo funcionar hasta que el carburante termine y el carburador esté vacío.
- Nunca use los productos para limpieza del carburador o del motor en el estanque de combustible pues se pueden producir daños permanentes.
- Use combustible nuevo la próxima temporada.

AVISO: El estabilizador de combustible es una alternativa aceptable para reducir a un mínimo la formación de depósitos de goma en el combustible durante el período de almacenamiento. Agregue estabilizador a la gasolina en el estanque de combustible o en el envase para el almacenamiento. Siempre siga la proporción de mezcla que se encuentra en el envase del estabilizador. Haga funcionar el motor por lo menos 10 minutos después de agregar el estabilizador, para permitir que este llegue al carburador. No drene la gasolina del estanque de gasolina y el carburador si se está usando estabilizador de combustible.

ACEITE DEL MOTOR

Drene el aceite (con el motor caliente) y cámbielo con aceite de motor limpio. (Vea "MOTOR" en la sección de Mantenimiento de este manual.)

CILINDRO

1. Remueva la bujía.
2. Vacíe 29 ml (una onza) de aceite a través del agujero de la bujía en el cilindro.
3. Tire la manilla de arranque lentamente unas cuantas veces para distribuir el aceite.
4. Cambie por una bujía nueva.

OTROS

- No guarde la gasolina de una temporada a la otra.
- Cambie el envase de la gasolina si se empieza a oxidar. La oxidación y/o la mugre en su gasolina producirán problemas.
- Si es posible, guarde su unidad en un recinto cerrado y cúbrala para protegerla contra el polvo y la mugre.
- Cubra su unidad con un forro protector adecuado que no retenga la humedad. No use plástico. El plástico no puede respirar, lo que permite la formación de condensación, lo que producirá la oxidación de su unidad.

IMPORTANTE: NUNCA CUBRA LA SEGADORA MIENTRAS EL MOTOR Y LAS AREAS DE ESCAPE TO DAVIA ESTAN CALIENTES.



PRECAUCIÓN: Nunca almacene la segadora con gasolina en el estanque dentro de un edificio en donde los gases pueden alcanzar una llama expuesta o una chispa. Permita que se enfríe el motor antes de almacenarla en algún recinto cerrado.

SOLUCIÓN DE PROBLEMAS

Vea la sección apropiada en el manual amenos que esté dirigido a un centro de servicio Husqvarna.

PROBLEMA	CAUSA	CORRECCIÓN
No arranca	<ol style="list-style-type: none"> 1. Filtro de aire sucio. 2. Sin combustible. 3. Combustible rancio. 4. Agua en el combustible. 5. Alambre de la bujía desconectado. 6. Bujía mala. 7. Cuchilla suelta o adaptador de la cuchilla quebrado. 8. Barra de control en la posición suelta. 9. Barra de control defectuosa. 10. Válvula del combustible (si equipada) está en la posición OFF. 11. Batería débil (si equipada). 12. Desconecte el conector de la batería (si equipada). 13. Fusible quemado. 	<ol style="list-style-type: none"> 1. Limpie/cambie el filtro de aire. 2. Llene el estanque de combustible. 3. Drene el estanque de combustible y vuelva a llenar el estanque con gasolina nueva. 4. Drene el estanque de combustible y vuelva a llenar el estanque con gasolina nueva. 5. Conecte el alambre a la bujía. 6. Cambie la bujía. 7. Apriete el perno de la cuchilla cambie el adaptador de la cuchilla. 8. Presione la barra de control hacia el mango. 9. Cambie la barra de control. 10. Gire a la válvula del combustible a la posición ON. 11. Cague la batería. 12. Conecte la batería al motor. 13. Cambie el fusible.

SOLUCIÓN DE PROBLEMAS

Vea la sección apropiada en el manual amenos que esté dirigido a un centro de servicio Husqvarna.

PROBLEMA	CAUSA	CORRECCIÓN
Falta de fuerza	<ol style="list-style-type: none"> 1. Cuchilla desgastada, doblada o suelta. 2. Altura de las ruedas dispareja. 3. Velocidad del motor lenta. 4. Acumulación de césped, hojas o basura debajo de la segadora. 5. Demasiado aceite en motor. 6. Velocidad de recorrido demasiado rápida. 	<ol style="list-style-type: none"> 1. Eleve la altura de corte. 2. Eleve la altura de corte. 3. Limpie/cambie el filtro de aire. 4. Limpie la parte inferior de la caja de la segadora. 5. Revise el nivel del aceite. 6. Corte a una velocidad de recorrido más lenta.
Mal corte-disparejo	<ol style="list-style-type: none"> 1. Cuchilla desgastada, doblada o suelta. 2. Altura de las ruedas dispareja. 3. Acumulación de césped, hojas o basura debajo de la segadora. 	<ol style="list-style-type: none"> 1. Cambie la cuchilla. Apriete el perno de la cuchilla. 2. Ajuste todas las ruedas a la misma altura. 3. Limpie la parte inferior de la caja de la segadora.
Vibración excesiva	<ol style="list-style-type: none"> 1. Cuchilla desgastada, doblada o suelta. 2. Cigüeñal del motor doblado. 	<ol style="list-style-type: none"> 1. Cambie la cuchilla. Apriete el perno de la cuchilla. 2. Póngase en contacto con su centro de servicio Husqvarn o con un otro centro de servicio cualificado.
Cordón arrancador difícil de tirar	<ol style="list-style-type: none"> 1. El freno del volante del motor está aplicado cuando se suelta la barra de control. 2. Cigüeñal del motor doblado. 3. Adaptador de la cuchilla quebrado. 4. La cuchilla se arrastra en el césped. 	<ol style="list-style-type: none"> 1. Presione la barra de control hacia el mango superior antes de tirar el cordón arrancador. 2. Póngase en contacto con su centro de servicio Husqvarn o con un otro centro de servicio cualificado. 3. Cambie el adaptador de la cuchilla. 4. Mueva la segadora a un lugar en donde el césped ha sido cortado o a una superficie firme para hacer arrancar el motor.
Recogedor de césped no se llena (si viene equipado)	<ol style="list-style-type: none"> 1. Altura de corte demasiado baja. 2. Levantamiento de la cuchilla desgastado. 3. Recogedor sin ventilación de aire. 	<ol style="list-style-type: none"> 1. Eleve la altura de corte. 2. Cambie las cuchillas. 3. Limpie el recogedor de césped.
El embrague cuchilla/freno no se conecta	<ol style="list-style-type: none"> 1. Mando de cuchilla/freno defectuoso. 	<ol style="list-style-type: none"> 1. Sustituir el mando cuchilla/freno.
El motor se cala cuando se enciende la cuchilla.	<ol style="list-style-type: none"> 1. Motor frío. 2. El cortacéspedes en hierba sin cortar. 	<ol style="list-style-type: none"> 1. Permita que el motor se caliente por un minuto. 2. Mueva el cortacéspedes al área despejada.
Difícil de empujar	<ol style="list-style-type: none"> 1. El césped está demasiado alto o la altura de la rueda demasiado baja. 2. Parte trasera de la caja/cuchilla de la segadora arrastrándose en el césped. 3. Recogedor de césped demasiado lleno. 4. Posición de la altura del mango no adecuada para usted. 	<ol style="list-style-type: none"> 1. Eleve la altura de corte. 2. Eleve la parte trasera de la caja de la segadora (1) un lugar más alto. 3. Vacíe el recogedor de césped. 4. Ajuste la altura del mango de modo que le acomode.
Pérdida de impulsión o retardarse de la velocidad	<ol style="list-style-type: none"> 1. Desgaste de la correa. 2. La correa está fuera de la polea. 3. Cable de la impulsión usado o roto. 4. El sistema de control del mecanismo impulsor "suelto". 	<ol style="list-style-type: none"> 1. Revise/cambie la correa de impulsión. 2. Revise/vuelva a instalar la correa de impulsión. 3. Cambie el cable de la impulsión. 4. Ajuste el control del mecanismo impulsor.



Productos con ruedas para consumidor – Garantía limitada

Husqvarna garantiza al comprador minorista original que este producto Husqvarna® **carece de defectos materiales o de fabricación** con un uso y mantenimiento normales desde el día de la compra, dentro del periodo de garantía aplicable indicado en el [Anexo A](#). Esta Garantía limitada no se podrá transferir a ningún comprador posterior de este producto Husqvarna®. Ciertos componentes (por ejemplo, los motores y las transmisiones) quedan excluidos de la cobertura y se aplican otras limitaciones, según se describe en este documento. Husqvarna reparará o sustituirá, a su propio criterio, cualquier producto o pieza defectuoso cubierto por la garantía limitada, sin cargo, en cualquier concesionario/centro de servicio Husqvarna autorizado utilizando repuestos originales de OEM Husqvarna, de conformidad con las limitaciones y exclusiones que se describen a continuación. Husqvarna no ofrece programa de cambio directo.

CLAUSULAS DE RESTRICCIÓN, LIMITACIONES Y EXCLUSIONES

1. CLAUSULAS DE RESTRICCIÓN DE GARANTÍA. ESTA GARANTÍA LIMITADA ES LA ÚNICA GARANTÍA EXPLÍCITA PROPORCIONADA POR HUSQVARNA, Y NO HAY GARANTÍAS QUE SE AMPLIEN MÁS ALLÁ DE LA DESCRIPCIÓN DE ESTA PÁGINA, A EXCEPCIÓN DE LAS ESTABLECIDAS POR LEY. ESTA GARANTÍA SOLO ES PROPORCIONADA POR HUSQVARNA, Y SOLO HUSQVARNA LA PUEDE MODIFICAR. ESTA GARANTÍA LIMITADA ES LA DECLARACIÓN FINAL DE NUESTRO ACUERDO, Y ES UNA DECLARACIÓN COMPLETA Y EXCLUSIVA DE LOS TÉRMINOS DE ESTE ACUERDO. ESTA GARANTÍA LIMITADA LE OTORGA DERECHOS LEGALES ESPECÍFICOS, Y UD. TAMBIÉN PUEDE TENER OTROS DERECHOS DEPENDIENDO DE LA UBICACIÓN.

2. DURACIÓN LIMITADA. CUALQUIER GARANTÍA QUE PUEDA SER IMPLÍCITA DE ACUERDO CON LAS LEYES (INCLUIDA CUALQUIER GARANTÍA IMPLÍCITA DE ADECUACIÓN A UN PROPÓSITO O USO PARTICULAR Y GARANTÍA IMPLÍCITA DE COMERCIABILIDAD) SE LIMITA A LA DURACIÓN DEL PERÍODO DE GARANTÍA APLICABLE BAJO ESTA GARANTÍA LIMITADA. EN ALGUNOS SITIOS NO SE PERMITEN LAS LIMITACIONES DE LA DURACIÓN DE UNA GARANTÍA IMPLÍCITA, DE MODO QUE LAS LIMITACIONES ANTERIORES PUEDEN NO APLICARSE EN SU CASO.

3. RECURSOS EXCLUSIVOS. EN ALGUNAS ZONAS, INCLUIDA LA PROVINCIA DE QUEBEC, NO SE PERMITE LA EXCLUSIÓN O LIMITACIÓN DE RESPONSABILIDADES POR DAÑOS PERSONALES O FÍSICOS DERIVADOS DE FALLAS DEL FABRICANTE Y/O LA EXCLUSIÓN O LIMITACIÓN DE DAÑOS ACCIDENTALES O DERIVADOS. POR LO TANTO, ES POSIBLE QUE NO LE AFECTEN ALGUNAS DE LAS SIGUIENTES LIMITACIONES. LAS PREVISIONES ANTERIORES SON EXCLUSIVAS PARA CUALQUIER VIOLACIÓN DE ESTA GARANTÍA LIMITADA. NO SE DISPONE DE NINGÚN OTRO RECURSO, ENTRE OTROS, DAÑOS ESPECIALES, ACCIDENTALES O DERIVADOS, PÉRDIDA DE BENEFICIOS, PÉRDIDA DE VENTAS, DAÑOS PERSONALES O MATERIALES, NI NINGUNA OTRA PÉRDIDA ACCIDENTAL O DERIVADA, Y SE DECLINA CUALQUIER RESPONSABILIDAD ANTE ESOS DAÑOS.

4. Los motores, las transmisiones y otros componentes determinados NO están cubiertos. Esta Garantía limitada no cubre lo siguiente:

(a) *Motores y accesorios.* A excepción de los casos en que se indica otra cosa en el [Anexo A](#), todos los motores y accesorios no están cubiertos por esta garantía limitada. En la mayoría de los casos, estos elementos NO han sido fabricados por Husqvarna, en cuyo caso pueden estar cubiertos por separado por la garantía de sus respectivos fabricantes, si tal garantía se proporciona e incluye con el producto en el momento de la compra. Todos los reclamos de este tipo deben presentarse y enviarse al fabricante correspondiente o según se indique en esas garantías separadas. Husqvarna no tiene autorización para realizar ajustes o reparaciones contemplados por la garantía en motores fabricados por Briggs & Stratton, Honda, Kawasaki o Kohler (excepto modelos equipados con motores LCT). Husqvarna no asume ninguna obligación de garantía, derivada de esta garantía limitada, relativa a los motores de otros fabricantes.

(b) *Transmisiones.* Excepto en los casos en que se indica otra cosa en el [Anexo A](#), las transmisiones/transejes (incluidos los sistemas de transmisión) no están cubiertos por esta garantía limitada. En la mayoría de los casos, estos elementos NO han sido fabricados por Husqvarna, en cuyo caso pueden estar cubiertos por separado por la garantía de sus respectivos fabricantes, si tal garantía se proporciona e incluye con el producto en el momento de la compra. Los fabricantes de transmisiones/transejes Dana, Hydro-Gear y Tuff-Torq proporcionan una garantía para la transmisión/transeje al comprador final o a Husqvarna. Husqvarna asignará la garantía del fabricante de la transmisión/transeje o cualquier derecho sobre dicho elemento al comprador original de la unidad. Para obtener servicios para transmisiones/transejes cubiertos por la garantía, contacte primero al minorista al que compró la unidad. Si necesita servicio o tiene dudas relativas al alcance de la garantía de la transmisión/transeje, contacte directamente con Husqvarna a través de nuestro sitio web www.husqvarna.com, o llame al 800-487-5951 (EE.UU.) o 800-805-5523 (Canadá) para contactar con un proveedor de servicios autorizado de Husqvarna. Todos los reclamos de este tipo deben presentarse y enviarse al fabricante correspondiente o según se indique en esas garantías separadas. Husqvarna no tiene autorización para realizar ajustes o reparaciones contemplados por la garantía de transmisiones o transejes. Husqvarna no asume ninguna obligación derivada de esta garantía limitada para los fabricantes antes enumerados (para ver las excepciones, consulte el [Anexo A](#)).

(c) *Piezas no renovables.* Esta garantía limitada no cubre piezas y elementos de mantenimiento general ("**Piezas no renovables**"), incluyendo entre otros bujías, bombillas, filtros, lubricantes, cuerdas de arranque, correas, cuchillas y adaptadores de cuchillas.

(d) *Componentes para control de emisiones.* Esta garantía limitada no cubre equipo y componentes de **control de emisiones** en la medida regulada por la agencia de protección ambiental de EE. UU o agencias estatales, provinciales o federales similares. Esos equipos y componentes están cubiertos por una declaración de garantía de control de emisiones separada que se suministra con su nuevo producto. Consulte esta declaración de garantía separada para ver los detalles.

5. Cualquier uso COMERCIAL, INSTITUCIONAL, AGRÍCOLA, INDUSTRIAL, QUE PRODUZCA INGRESOS o DE ALQUILER tendrá como resultado la pérdida de garantía o un período de garantía menor. Dependiendo del producto, o bien NO HAY GARANTÍA (sea establecida por ley, contractual o de otro tipo) o tiene una garantía reducida si el producto se utiliza para propósitos comerciales, institucionales, agrícolas, industriales, de producción de beneficios o de alquiler y, en tales circunstancias, se ofrece esta garantía limitada en su lugar, reemplazando cualquier régimen de garantías proporcionado por ley. Consulte el [Anexo A](#).

6. Los productos reparados o readaptados tienen una garantía limitada de 30 días. Bajo esta garantía limitada, los productos reparados o readaptados en fábrica certificada tienen una garantía limitada de 30 días para las piezas y mano de obra de uso no comercial. Los productos solo se reacondicionan en la fábrica Husqvarna.

7. Responsabilidades del propietario. Si desea conservar sus derechos bajo esta Garantía limitada, debe realizar un cuidado y uso razonables del producto; lo que incluye cumplir con el mantenimiento preventivo, el almacenamiento, y el uso de combustible y aceite indicados en el manual del operador proporcionado. Por ejemplo, los siguientes elementos son responsabilidad del propietario y no están cubiertos por esta Garantía limitada:

- a. Servicio previo a la entrega y de configuración, así como ajustes del motor.
- b. Los ajustes después de los primeros treinta (30) días posteriores a la compra y en adelante, como ajustes del cable del acelerador o de las guías de las correas; y
- c. El mantenimiento preventivo según se describe en el manual del operador.

Además, usted debe dejar de utilizar el producto de inmediato si se produce cualquier falla o daño. El producto debe llevarse a un concesionario de servicio Husqvarna autorizado antes de seguir utilizándolo.

8. Los daños que resultan del envejecimiento y desgaste normales o los daños por negligencia NO están cubiertos. La Garantía limitada no cubre otros daños fuera de los que resultan de defectos en el material o la mano de obra. Los siguientes NO se consideran defectos en el material o en la mano de obra y, por lo tanto, NO están cubiertos.

- (a) Abrasión en plataformas de cortadoras de césped.
- (b) Neumáticos dañados por pinchaduras externas.
- (c) Cambio de color natural del material debido a la luz ultravioleta.
- (d) Daños en los equipos de corte por contacto con rocas u otros materiales y/o estructuras no aprobadas.

Además, la Garantía limitada no cubre daños, averías o fallas que resulten de abuso o uso negligente del producto que incluya o esté asociado con cualquiera de los siguientes:

- (e) Incumplimiento del suministro o de los servicios de mantenimiento requeridos según se indican en el manual del operador.
 - (f) Abuso, uso indebido, negligencia, modificaciones, alteraciones, desgaste normal, servicios incorrectos, uso de accesorios no autorizados, falta de lubricación o falla del motor por el uso de aceites que no cumplen con las especificaciones del fabricante del motor.
 - (g) Uso de gasohol, que contiene metanol (alcohol de la madera). El gasohol que contiene un máximo de 10% de etanol (alcohol de cereal) o 15% de MTBE (metil/terciario/butil/éter) está aprobado.
 - (h) Uso de éter o cualquier fluido para arranque.
 - (i) Limpieza del producto con presión o vapor.
 - (j) Uso de bujías que no cumplen los requisitos de rendimiento con respecto a las emisiones enumerados en el manual del operador.
 - (k) Manipulación no autorizada del regulador de velocidad o los componentes de control de emisiones del motor, así como el funcionamiento del motor por encima de las revoluciones de motor especificadas y recomendadas que se indican en el manual del operador.
 - (l) Funcionamiento de la unidad con escudos de corte, protecciones o dispositivos de seguridad instalados incorrectamente, retirados o modificados.
 - (m) Cualquier filtro de aire retirado o dañado, suciedad excesiva, abrasivos, agua salobre, humedad, corrosión, óxido, barniz, combustible caduco o cualquier reacción adversa debida a procedimientos de almacenamiento incorrectos.
 - (n) Fallas debidas a configuración incorrecta, servicio antes de la entrega o servicio de reparación realizado por alguien que no sea un concesionario de servicio Husqvarna autorizado durante el período de garantía.
 - (o) Grasa o aceite contaminado con suciedad, uso de tipos incorrectos de grasa o aceite, incumplimiento de los intervalos de engrase recomendados, daño por agua o humedad y/o almacenamiento incorrecto.
 - (p) Bombeo de rociadores o rociado de materiales cáusticos o inflamables, coladores ausentes o rotos, o
 - (q) Uso continuado del producto después de la aparición inicial de un problema o falla.
9. Garantía limitada a 10 años de plataforma moldeada reforzada (blindada) y limitada de por vida para plataforma soldada. Estas garantías limitadas solo cubren la carcasa de la plataforma; NO cubren las piezas o componentes mecánicos como correas, poleas, alojamientos de eje, cojinetes, cuchillas, varillas, reguladores de altura o ruedecillas/ruedas antidesbroce. La Garantía limitada de por vida no cubre otros daños fuera de los que resultan de defectos en el material o la mano de obra. Los siguientes problemas NO se consideran defectos del material o mano de obra y, por lo tanto, NO están cubiertos:
- (a) Abrasión de las plataformas de cortacésped, incluyendo desgaste por arena.
 - (b) Daños en los equipos de corte por contacto con piedras u otros materiales y/o estructuras no aprobadas.
 - (c) Óxidación y corrosión.
 - (d) Cambio natural del color de la pintura u otros materiales debido a la luz ultravioleta.

CÓMO OBTENER SERVICIO

10. Centro/concesionario de servicio Husqvarna autorizado. Para obtener cobertura de garantía, es su responsabilidad (a su costo y cargo) entregar o enviar su unidad Husqvarna a un centro/concesionario de servicio Husqvarna autorizado y organizar la recogida o la devolución de su unidad después de que se hayan realizado las reparaciones. Si desconoce la ubicación del concesionario de servicio Husqvarna autorizado más cercano, llame a Husqvarna al 1-800-487-5951 de 8:00 a.m. a 8:00 p.m., Hora Estándar del Este, o visite www.husqvarna.com. En caso de requerir asistencia o si tiene preguntas con respecto a esta Garantía limitada, puede comunicarse con nosotros a través del 800-487-5951 (EE. UU.) u 800-805-5523 (Canadá) de 8:00 a.m. a 8:00 p.m., Hora Estándar del Este, o a través de Internet en www.husqvarna.com.



11. Documentación requerida. Debe conservar y presentar este Comprobante de compra (que incluya la fecha, el modelo del producto y, si corresponde, el número de serie del motor) a un concesionario de servicio Husqvarna autorizado para obtener el servicio de garantía bajo esta Garantía limitada. El comprobante de compra es de su exclusiva responsabilidad. Husqvarna le recomienda que registre su producto on-line en www.usa.husqvarna.com (EE. UU. y Canadá) para asegurarse, entre otras cosas, de recibir información importante sobre el producto. Sin embargo, registrar el producto no es una condición del servicio de garantía.

Husqvarna Professional Products, NA, Inc.

9335 Harris Corners Parkway, Suite 500, Charlotte, NC 28269

575 49 43-01 W 2012 IR

Tabla de garantía limitada de 2012 para productos de consumo con ruedas

Anexo A

Producto/Componente	Consumidor (personal, solo para uso doméstico)	Comercial (cualquier uso comercial, profesional, institucional, agrícola o que genere ingresos, que no sea para alquiler)	Alquiler (cualquier uso para alquiler)
Tractores cortacésped:			
Bastidor, chasis, eje delantero	5 años	Sin garantía	Sin garantía
Motor*	*	*	*
Husqvarna/Peerless)	3 años	Sin garantía	Sin garantía
Transmisión (si es de terceros)**	**	**	**
Solo modelos XLS - carcasa de plataforma moldeada. Garantía limitada del blindaje	10 años	Sin garantía	Sin garantía
Carcasa de plataforma soldada. Garantía limitada de por vida	***	Sin garantía	Sin garantía
Batería	1 año, prorrateado	Sin garantía	Sin garantía
Otros componentes perecederos	3 años	Sin garantía	Sin garantía
Tractores cortacésped residenciales de giro cero			
Motor*	*	*	*
Transmisión **	**	Sin garantía	Sin garantía
RZ5426 (967003601 & 967003602) - carcasa de plataforma moldeada. Garantía limitada del blindaje	10 años	Sin garantía	Sin garantía
Carcasa de plataforma soldada. Garantía limitada de por vida	***	Sin garantía	Sin garantía
Batería	1 año, prorrateado	Sin garantía	Sin garantía
Otros componentes perecederos	3 años	Sin garantía	Sin garantía
Tractores cortacésped residenciales de giro cero			
Motor*	*	*	*
Transmisión **	**	**	**
MZ5424S & MZ5425S (967003901 & 25021) - carcasa de plataforma moldeada. Garantía limitada del blindaje	10 años	Sin garantía	Sin garantía
Carcasa de plataforma soldada. Garantía limitada de por vida	***	Sin garantía	Sin garantía
Batería	1 año, prorrateado	Sin garantía	Sin garantía
Otros componentes perecederos	3 años	1 año	Sin garantía
Cortabordes LE475, arados, quitanieves			
Motor*	*	*	*
Otros componentes perecederos	2 años	90 días	90 días
Dientes de arado	***	Sin garantía	Sin garantía
Cortacésped de empuje, segadora de rueda alta			
Motor*	*	*	*
Batería	1 año, prorrateado	Sin garantía	Sin garantía
Otros componentes perecederos	3 años	Sin garantía	Sin garantía
Cortadoras con colchón de aire			
Motor*	*	*	*
Otros componentes perecederos	2 años	1 año	90 días
Carritos para plataforma de montaje frontal			
Motor*	*	*	*
Transmisión	2 años	Sin garantía	Sin garantía
Otros componentes perecederos	2 años	Sin garantía	Sin garantía
Cultivadoras			
Batería	1 año, prorrateado	Sin garantía	Sin garantía
Otros componentes perecederos	2 años	Sin garantía	Sin garantía

Producto/Componente	Consumidor (personal, solo para uso doméstico)	Comercial (cualquier uso comercial, profesional, institucional, agrícola o que genere ingresos, que no sea para alquiler)	Alquiler (cualquier uso para alquiler)
Hidrolavadoras			
Modelo 5525PW:			
Motor*	*	*	*
Bomba	2 años	Sin garantía	Sin garantía
Otros componentes perecederos	2 años	Sin garantía	Sin garantía
<i>Todas las otras hidrolavadoras (6027PW, 9032PW, 1340PW)</i>			
Motor*	*	*	*
Bomba	2 años	2 años	Sin garantía
Otros componentes perecederos	2 años	2 años	Sin garantía
Generadores			
Motor*	*	*	*
Otros componentes perecederos*	*2 años (solo piezas en el 2º año)	*2 años - 1365GN (solo piezas en el 2º año)	Sin garantía
Esparcidoras			
Esparcidora	1 año	1 año	1 año
Cortadoras de césped robóticas			
Cortadora de césped robótica	2 años	90 días	90 días
Batería	1 año	1 año	1 año
Piezas y accesorios (si se compran)			
Accesorios (por ejemplo, trampa para césped, accesorios de protección para parachoques, etc.)	1 año	Sin garantía	Sin garantía
Piezas (por ejemplo correas, cuchillas, etc.)	30 días	Sin garantía	Sin garantía
Piezas y accesorios (si se cambian en el Servicio de garantía)			
Los repuestos y/o accesorios proporcionados bajo esta Garantía limitada se garantizan únicamente por el SALDO del período de garantía limitada aplicable a la pieza o al accesorio que se cambió.	Ver a la izquierda Consumidor	Ver a la izquierda Comercial	Ver a la izquierda Alquiler

* Consulte la garantía separada del fabricante o del fabricante del motor. Motores LCT en quitanieves y arados específicos, garantía a través de Husqvarna.

** Consulte la referencia 1 (b) de la declaración de garantía.

RZ – Dos (2) años de garantía al consumidor, piezas y mano de obra, con red de distribuidores Hydro-Gear.

EZ – Un (1) año de garantía comercial, piezas y mano de obra, con Husqvarna.

Dos (2) años de garantía al consumidor, piezas y mano de obra, con red de distribuidores Hydro-Gear.

MZ – Dos (2) años de garantía comercial, piezas y mano de obra, con red de distribuidores Hydro-Gear.

*** La "Garantía limitada de por vida" de los dientes de arado y el equipo de corte soldado es para toda la vida del producto o 7 (siete) años después de la última fecha de producción final de la unidad completa, lo que ocurra primero. La sustitución de la carcasa de corte está limitada a un máximo de dos (2) equipos de corte dentro de la Garantía limitada de por vida.

A continuación, ejemplo de carcasa de plataforma moldeada blindada



Carcasa de plataforma moldeada blindada
Zona reforzada



A continuación, carcasa de plataforma moldeada, NO reforzada



Sin zona reforzada

12/03/2013 BY