



IPL, Gardena Robotic Lawn Mower 2015-01, 581 87 76-03

GARDENA® Robotic Lawn Mower

R38Li/R40Li/R45Li/R50Li

2015

Spare parts

Ersatzteile

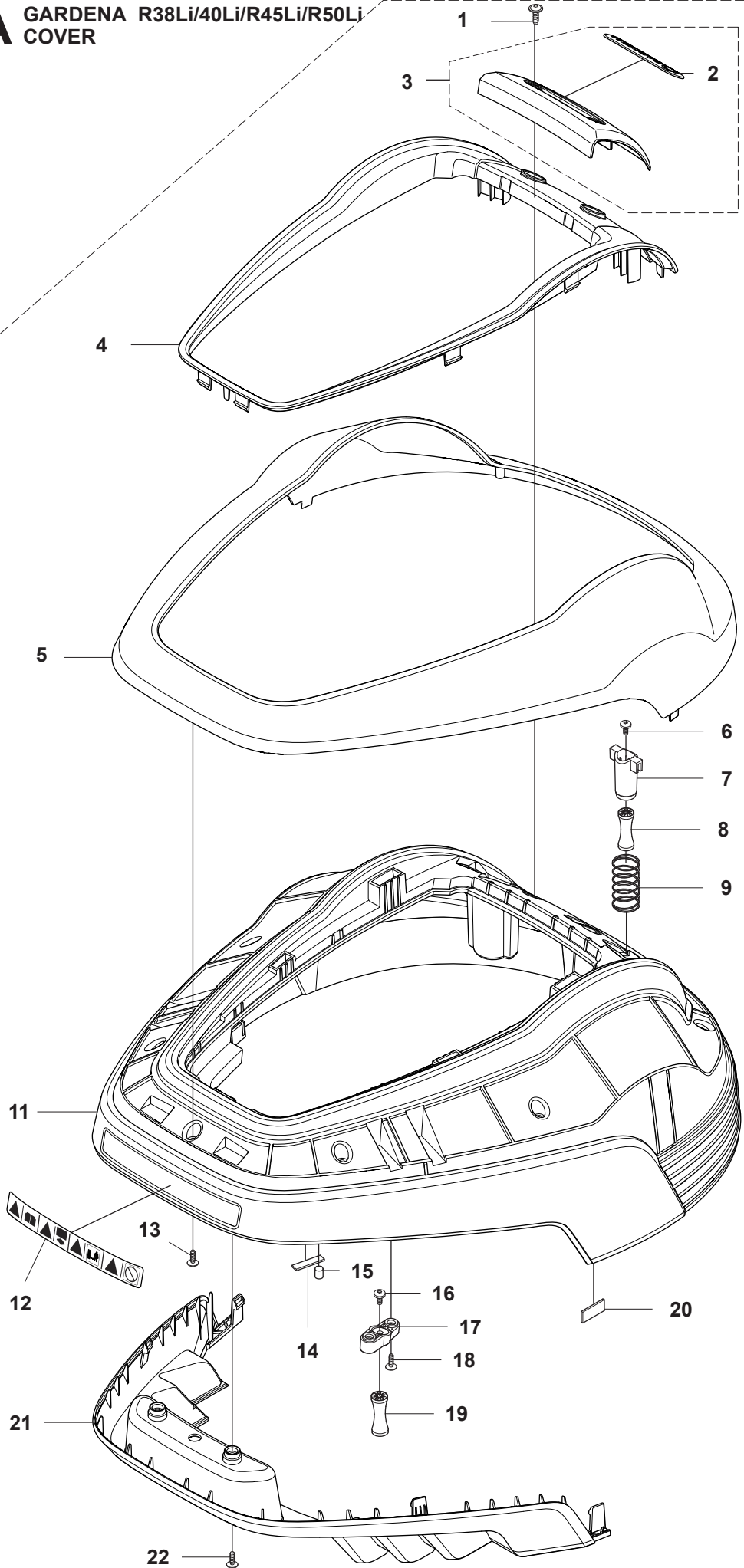
Pièces détachées

Reserve onderdelen

Repuestos

Reservdelar

A GARDENA R38Li/40Li/R45Li/R50Li
COVER



10



10



10

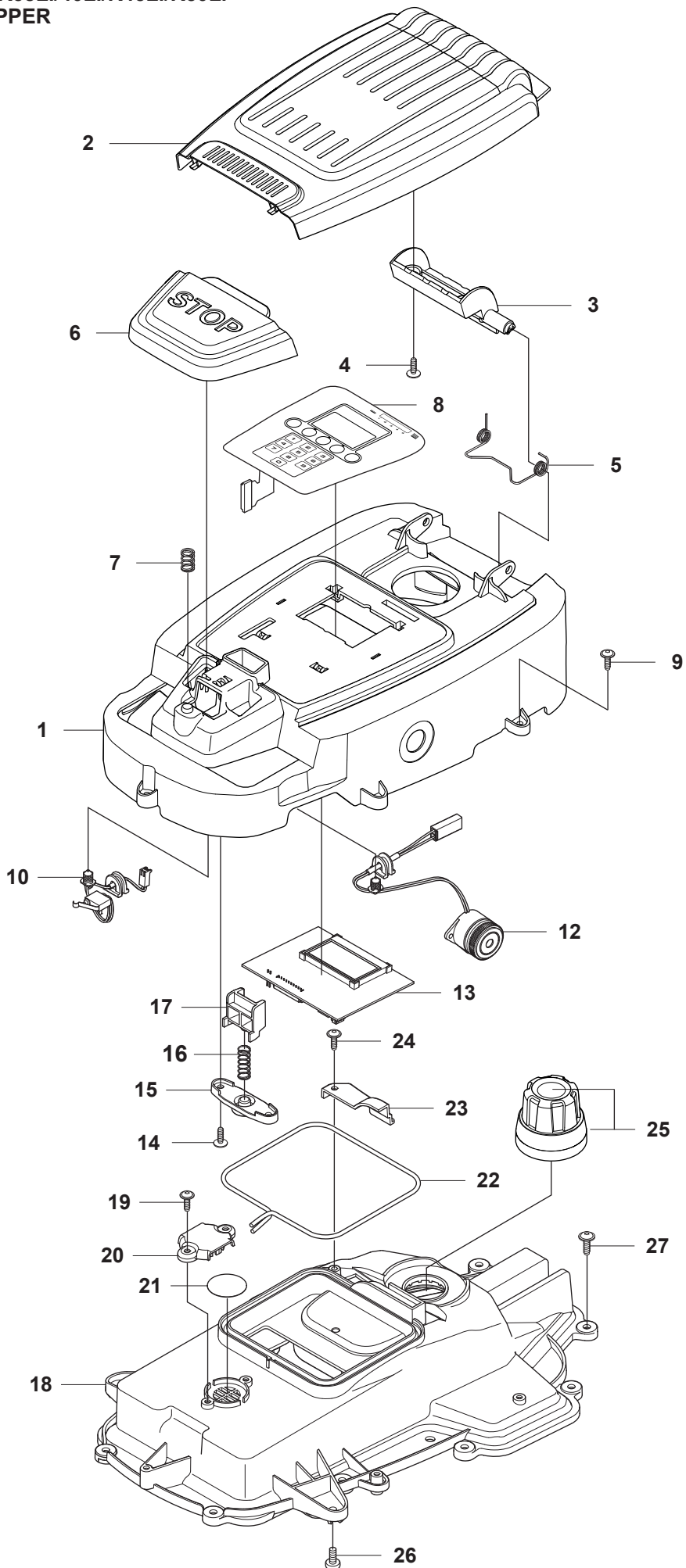


10

23

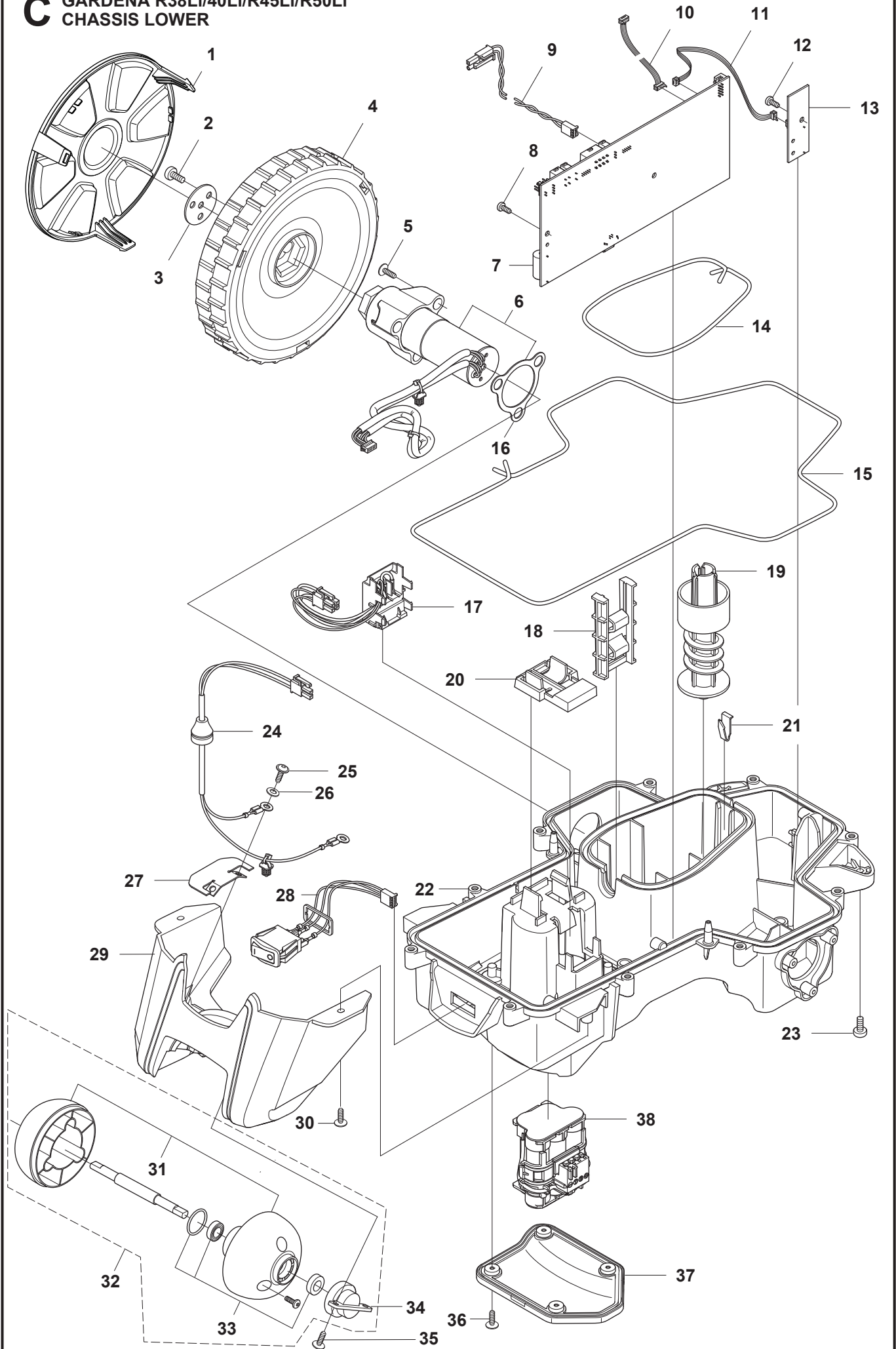
PAGE A GARDENA R38/40/45/50Li COVER				
Position	Article	Quantity	Notes	Kit
1	575 54 33-14	2	Screw, grey (14mm)	
2	510 31 03-01	1	Decal, Gardena logotype	3
3	579 39 21-05	1	Logo, plate kit incl. Logo	
4	577 70 76-03	1	Frame	
5	577 70 73-03	1	Cover	
6	576 21 39-01	2	Screw M5x12	
7	574 46 90-02	2	Bracket, lift sensor	
8	574 46 91-02	2	Rubber damper	
9	574 48 51-02	2	Spring, lift sensor	
10	587 04 35-03	1	Decal, R38Li	
10	580 92 80-01	1	Decal, R40Li	
10	581 96 66-01	1	Decal, R45Li	
10	587 04 35-01	1	Decal, R50Li	
11	579 39 17-02	1	Main body	
12	586 35 97-01	1	Warning label	11
13	575 54 33-14	7	Screw, grey (14mm)	
14	576 03 01-01	1	Plate, collision sensor	11
15	576 18 33-01	1	Magnet, collision sensor	11
16	576 21 39-01	2	Screw M5x12	
17	575 41 60-02	2	Support clamp	
18	575 54 33-14	4	Screw, grey (14mm)	
19	574 46 91-02	2	Rubber damper	
20	576 18 32-01	1	Magnet, lift sensor	11
21	577 70 65-01	1	Bumper, rear	
22	575 54 33-14	2	Screw, grey (14mm)	
23	577 95 53-08	1	Cover Kit, Complete excl. Model decal	

B GARDENA R38Li/40Li/R45Li/R50Li
CHASSIS UPPER



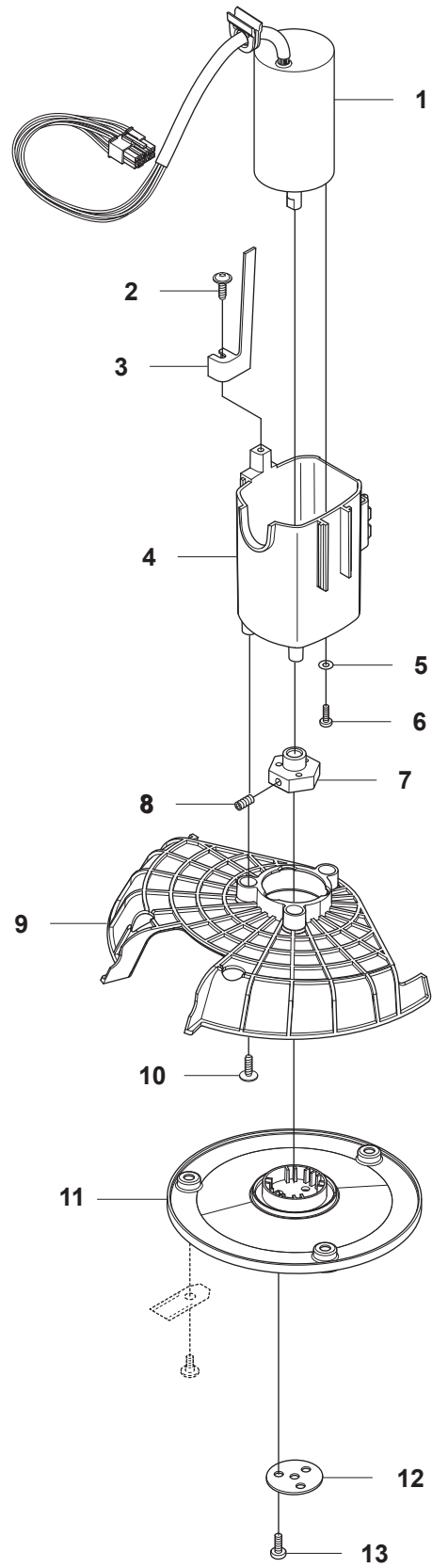
PAGE B GARDENA R38/40/45/50Li CHASSIS UPPER				
Position	Article	Quantity	Notes	Kit
1	579 39 19-03	1	Display cover kit incl. sealing & keyboard	
2	577 70 72 01	1	Cover, height adjustment	
3	577 70 78 01	1	Hinge, height adjustment lid	
4	575 54 33-14	2	Screw, grey (14mm)	
5	578 44 52-01	1	Spring, height adjustment lid	
6	577 70 66 01	1	Stop button	
7	574 48 70-01	1	Spring, stop button	
8	586 94 56-01	1	Keyboard	1
9	575 54 33-14	5	Screw, grey (14mm)	
10	574 48 03-01	1	Micro switch, stop button	
12	574 47 59-01	1	Buzzer, display cover	
13	575 64 01-01	1	Display/MMI, circuit board	
14	575 54 33-14	2	Screw, grey (14mm)	
15	575 41 58-01	1	Spring holder, stop button	
16	576 24 22-01	1	Spring lock, stop button	
17	575 40 90-01	1	Lock, stop button	
18	579 39 20-02	1	Chassis upper kit incl. sealing & air filter	
19	575 54 33-14	2	Screw, grey (14mm)	
20	576 69 70-01	1	Cover, air filter	
21	577 75 37-01	1	Air filter kit (10 pcs)	
22	577 75 36-01	1	Sealing strip kit (10 pcs, Ø4mm)	
22	574 87 47-04	1	Sealing strip (Ø4mm)	
23	576 05 39-01	1	Cover, height indicator	
24	575 54 33-14	1	Screw, grey (14mm)	
25	579 39 22-01	1	Knob, height adjustment kit incl. Knob & sticker	
26	576 21 39-01	2	Screw	
27	574 45 01-01	10	Screw	

C GARDENA R38Li/40Li/R45Li/R50Li
CHASSIS LOWER



PAGE C GARDENA R38/40/45/50Li CHASSIS LOWER				
Position	Article	Quantity	Notes	Kit
1	577 70 79-01	2	Hub cap, drive wheel	
2	576 21 39-02	6	Screw	
3	577 09 32-01	2	Washer, drive wheel	
4	574 46 51-04	2	Wheel, drive wheel	
5	575 54 33-14	6	Screw, grey (14mm)	
6	577 83 99-04	2	Wheel motor kit incl. sealing	
7	575 64 05-01	1	Main circuit board (MCB)	
8	535 13 03-10	2	Screw (10mm)	
9	576 22 02-01	1	Loom, buzzer extension	
10	574 47 92-01	1	Loom, display	
11	574 47 90-01	1	Loom, loop and lift sensor	
12	535 13 03-10	1	Screw (10mm)	
13	575 64 09-01	1	PCB sensor board	
14	577 75 36-01	1	Sealing strip kit (10 pcs, Ø4mm)	
14	574 87 47-04	1	Sealing strip (Ø4mm)	
15	577 84 36-01	1	Sealing strip kit, chassis (10 pcs, Ø4mm)	
15	574 87 47-03	1	Sealing strip, chassis (Ø4mm)	
16	574 37 37-01	2	Sealing/gasket, motor flange	6
17	574 47 98-01	1	Loom, Li-Ion battery	
18	574 50 19-01	2	Guide rail, motor bowl	
19	574 48 46-01	1	Height adjustment screw	
20	575 40 82-01	1	Lock, battery plug	
21	577 10 32-01	1	Locking spring	
22	577 84 62-02	1	Chassis lower kit, incl sealing	
23	576 21 39-01	2	Screw	
24	574 47 77-02	1	Loom, charge plate	
25	575 54 33-14	2	Screw, grey (14mm)	
26	535 08 74-01	2	Washer, vulcanized fiber	
27	574 49 00-01	2	Charge plate	
28	579 70 87-01	1	Swith ON/OFF with Seal	
29	574 46 72-02	1	Housing, rear wheel	
30	575 54 33-14	3	Screw, grey (14mm)	
31	583 85 39-02	1	Rear wheel kit	32
32	578 27 51-03	1	Rear wheel kit complete	
33	578 27 52-01	1	Bearing (x2), sealing (x2), O-ring (x1)	32
34	577 71 50-01	2	Bearing housing, rear wheel	32
35	575 54 33-14	4	Screw, grey (14mm)	
36	574 45 01-01	4	Screw	
37	574 46 73-01	1	Cover, battery	
38	574 47 68-01	1	Battery, Lithium 18V	

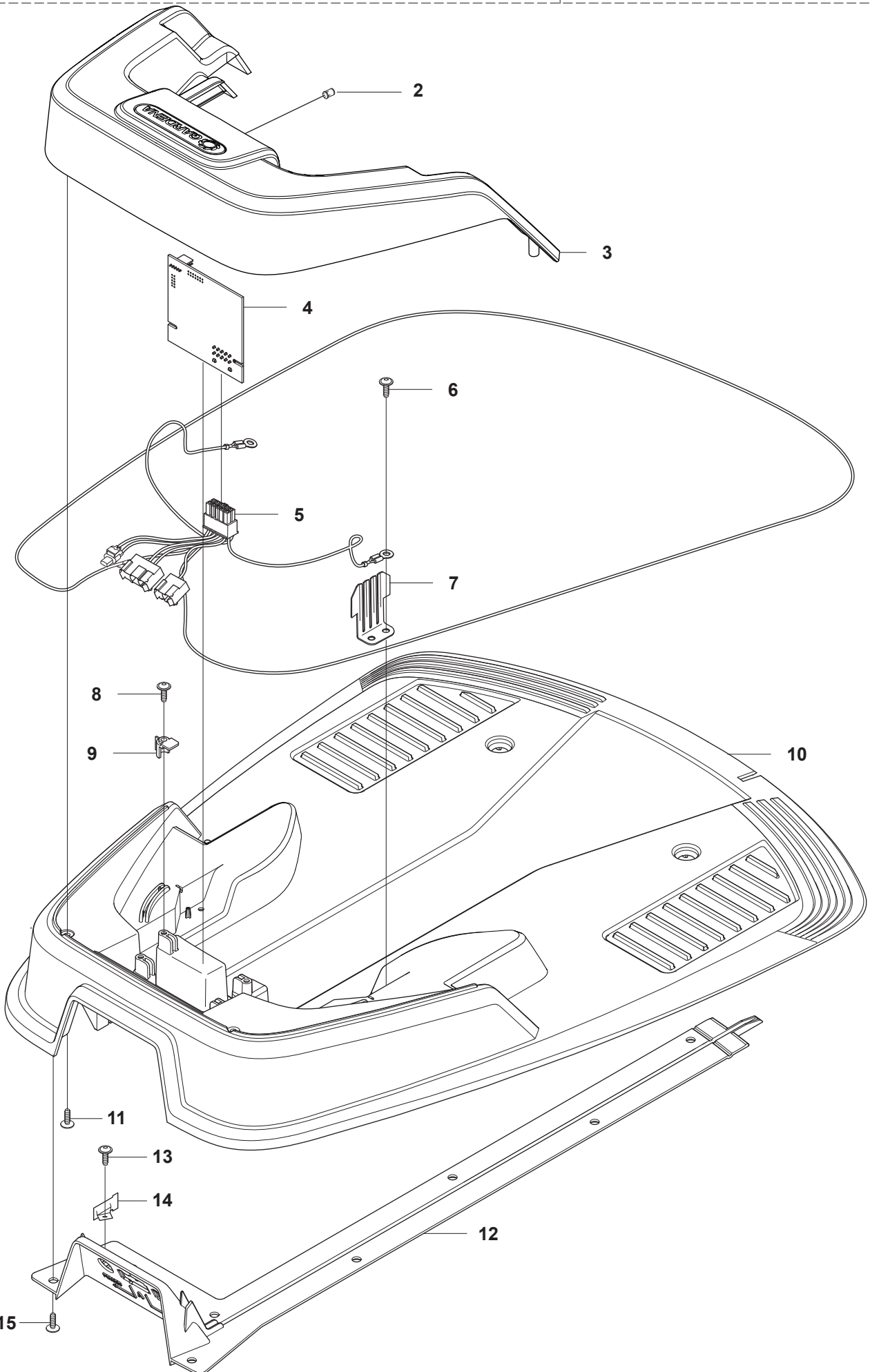
D GARDENA R38Li/40Li/R45Li/R50Li
BLADE MOTOR & CUTTING EQUIPMENT



PAGE D GARDENA R38/40/45/50Li BLADE MOTOR & CUTTING EQUIPMENT				
Position	Article	Quantity	Notes	Kit
1	584 98 93-01	1	Cutting motor	
2	575 54 33-14	1	Screw, grey (14mm)	
3	574 50 35-01	1	Height indicator	
4	581 02 03-01	1	Motor housing	
5	510 01 95-01	3	Washer, steel	
6	576 21 38-01	3	Screw M4x12	
7	574 37 35-01	1	Hub, cutting motor	
8	576 21 35-01	1	Stop screw	
9	577 85 02-03	1	Guard, cutting disc	
10	575 54 33-14	3	Screw, grey (14mm)	
11	574 48 71-01	1	Cutting disc	
12	577 09 32-01	1	Washer	
13	576 21 38-01	3	Screw	

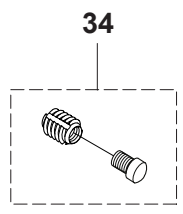
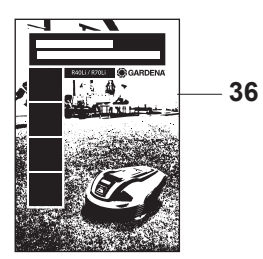
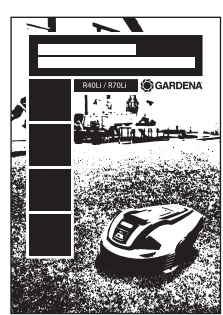
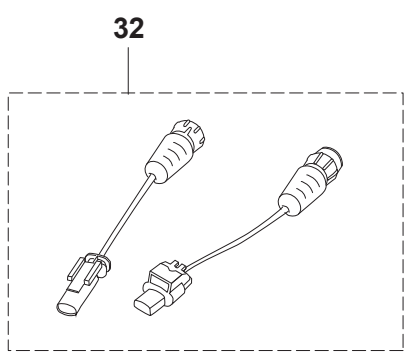
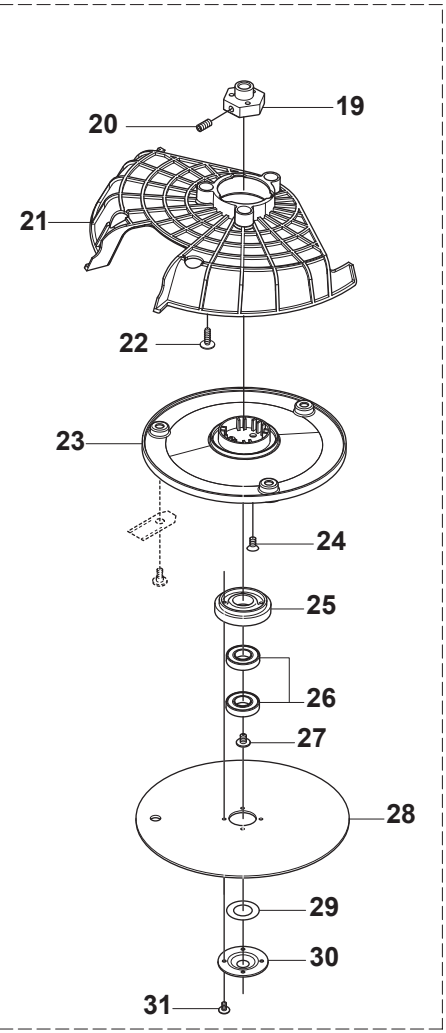
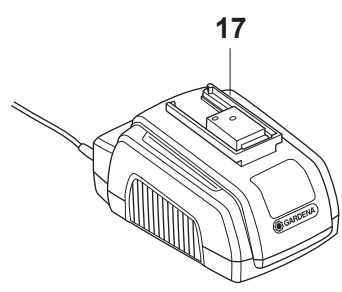
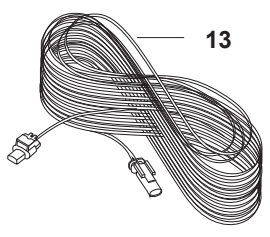
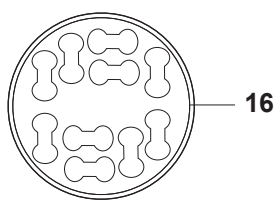
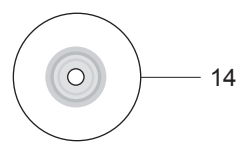
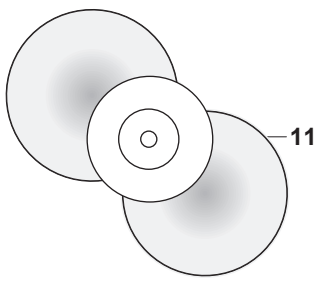
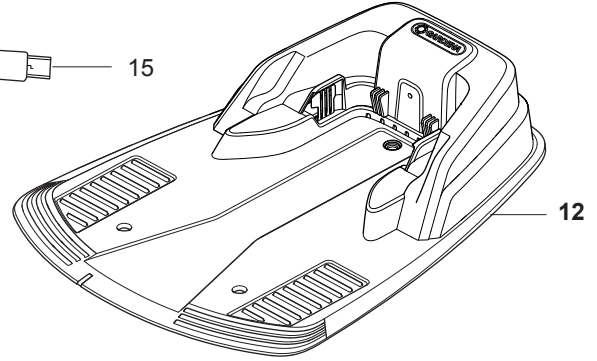
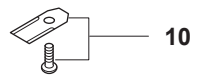
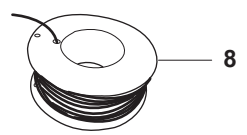
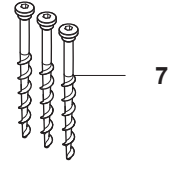
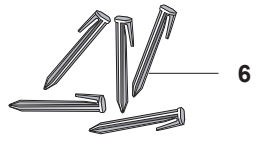
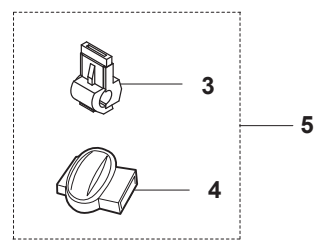
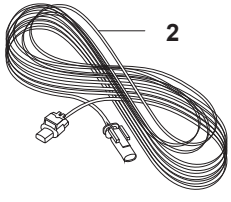
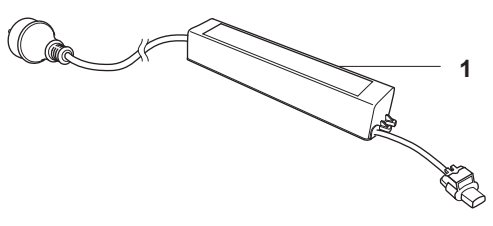
E GARDENA R38Li/40Li/R45Li/R50Li
CHARGING SYSTEM

1



PAGE E GARDENA R38/40/45/50Li CHARGING STATION				
Position	Article	Quantity	Notes	Kit
1	577 97 23-07	1	Charging station, Gardena	
2	535 12 87-02	1	Diode lens	1
3	584 61 83-01	1	Charging station cover, Gardena	1
4	586 71 39-01	1	Circuit board, charging station	1
5	581 22 59-01	1	Loom, charging station	1
6	575 54 33-14	2	Screw, grey (14mm)	1
7	587 12 51-01	2	Contacts, charging station	1
8	575 54 33-14	2	Screw, grey (14mm)	1
9	535 12 79-01	2	Bracket	1
10	581 55 19-01	1	Charging station base plate	1
11	575 54 33-14	4	Screw, grey (14mm)	1
12	581 01 17-01	1	Guide cover, charging station	1
13	575 54 33-14	1	Screw, grey (14mm)	1
14	581 01 16-01	1	Bracket connector	1
15	575 54 33-14	4	Screw, grey (14mm)	1

F GARDENA R38Li/40Li/R45Li/R50Li ACCESSORIES

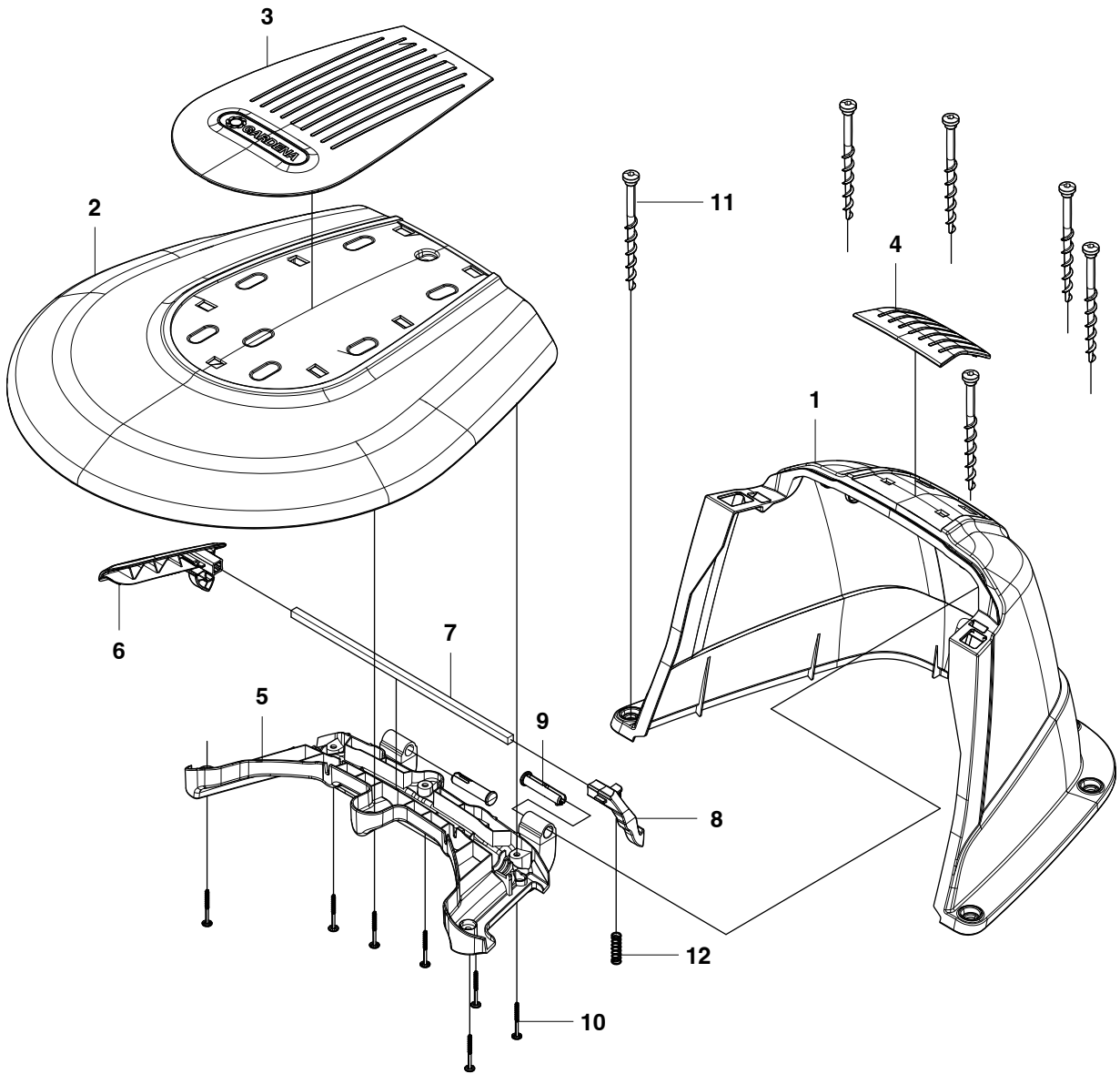


PAGE F GARDENA R38/40/45/50Li ACCESSORIES				
Position	Article	Quantity	Notes	Kit
1	584 40 88-01	1	Power Supply Unit, EU	
1	581 29 12-02	1	Power Supply Unit, UK	
1	581 29 12-05	1	Power Supply Unit, AU-NZ	
1	581 29 12-03	1	Power Supply Unit, CH	
2	581 16 66-03	1	Low voltage cable (10 m)	
3	535 12 90-01	1	Loop wire connector (1pcs)	5
4	501 98 02-01	1	Splice kit (1pcs)	5
4	501 98 02-02	1	Splice kit (50pcs)	
5	966 80 97-01	1	2 Connectors+6 Splices, Gardena blister pack	
5	Gardena 4089-20	1	2 Connectors+6 Splices, Gardena blister pack	
5	579 04 81-01	1	5 Connectors+5 Splices	
6	966 80 98-01	1	Staples (100pcs), Gardena blister pack	
6	Gardena 4090-20	1	Staples (100pcs), Gardena blister pack	
7	575 23 86-02	1	Anchor screw (3pcs) incl. Allen key	
8	966 80 96-01	1	Loop wire (150m), Gardena blister pack	
8	Gardena 4088-20	1	Loop wire (150m), Gardena blister pack	
8	580 66 20-03	1	Loop wire (200m)	
8	580 66 20-01	1	Loop wire (250m)	
9	578 91 06-01	1	Label, anti-theft	
10	966 80 95-01	1	Blades (9pcs), Gardena blister pack	
10	Gardena 4087-20	1	Blades (9pcs), Gardena blister pack	
10	577 86 46-02	1	LONG LIFE SAFETY BLADE, Blister Pack, 9pcs	
10	577 60 65-04	1	LONG LIFE SAFETY BLADE, 45pcs	
10	577 60 66-03	1	LONG LIFE SAFETY BLADE, 300pcs	
11	578 90 91-04	1	Installation DVD, Gardena	
12	577 97 23-05	1	Charging station, Gardena	
13	581 16 66-04	1	Low voltage cable (20 m)	
14	577 85 81-03	1	Autocheck EXP - service program DVD	
15	577 51 81-02	1	USB service cable, G3 mowers	
16	586 27 79-01	1	Sticker, Cable markers (10pcs)	
17	966 41 01-01	1	Quick charger	
18	584 97 34-01	1	Skid plate kit	
19	580 79 31-01	1	Hub, cutting motor	18
20	576 21 35-01	1	Stop screw	18
21	577 85 02-03	1	Guard, cutting disc	18
22	575 54 33-14	3	Screw, grey (14mm)	18
23	580 79 28-02	1	Cutting disc	18
24	535 13 05-01	3	Screw	18
25	535 12 64-01	1	Bearing box	18
26	535 07 57-03	2	Ball bearing	18
27	535 07 60-01	1	Screw	18
28	580 79 27-01	1	Skid plate	18
29	535 08 25-01	1	Gasket	18
30	535 08 15-01	1	Cover washer	18
31	575 54 33-10	4	Screw	18
32	586 18 90-01	1	Low voltage cable adapter kit	
33	580 68 95-02	1	Warranty seal label (1pcs)	
33	584 90 22-01	1	Warranty seal label (10pcs)	
34	581 16 57-01	1	Metal insert repair kit (4pcs)	
35	115 70 69-01	1	Operator's manual, Swedish	
35	115 70 69-06	1	Operator's manual, Danish	
35	115 70 69-11	1	Operator's manual, Finnish	
35	115 70 69-21	1	Operator's manual, Norwegian	
35	115 70 69-26	1	Operator's manual, English	
35	115 70 69-31	1	Operator's manual, French	
35	115 70 69-36	1	Operator's manual, Dutch	
35	115 70 69-41	1	Operator's manual, Italian	
35	115 70 69-46	1	Operator's manual, Spanish	
35	115 70 69-51	1	Operator's manual, German	
35	115 70 69-58	1	Operator's manual, Hungarian	
35	115 70 69-59	1	Operator's manual, Portuguese	
35	115 70 69-61	1	Operator's manual, Polish	
35	115 70 69-68	1	Operator's manual, Slovakian	
35	115 70 69-84	1	Operator's manual, Slovenian	
35	115 70 69-90	1	Operator's manual, Czech	
36	115 72 44-01	1	Quick guide, Swedish	
36	115 72 44-06	1	Quick guide, Danish	

PAGE F GARDENA R38/40/45/50Li ACCESSORIES				
Position	Article	Quantity	Notes	Kit
36	115 72 44-11	1	Quick guide, Finnish	
36	115 72 44-21	1	Quick guide, Norwegian	
36	115 72 44-26	1	Quick guide, English	
36	115 72 44-31	1	Quick guide, French	
36	115 72 44-36	1	Quick guide, Dutch	
36	115 72 44-41	1	Quick guide, Italian	
36	115 72 44-46	1	Quick guide, Spanish	
36	115 72 44-51	1	Quick guide, German	
36	115 72 44-58	1	Quick guide, Hungarian	
36	115 72 44-59	1	Quick guide, Portuguese	
36	115 72 44-61	1	Quick guide, Polish	
36	115 72 44-68	1	Quick guide, Slovakian	
36	115 72 44-84	1	Quick guide, Slovenian	
36	115 72 44-90	1	Quick guide, Czech	

G GARDENA R38Li/40Li/R45Li/R50Li
ACCESSORIES

13



Page G GARDENA R38/40/45/50Li ACCESSORIES

Position	Article	Quantity	Notes	Kit
1	587 91 63-01	1	Cover Kit Base	13
2	587 91 64-01	1	Cover Kit Lid	13
3	586 69 44-01	1	Cover front Insert	13
4	586 69 46-01	1	Cover rear Insert	13
5	586 69 42-01	1	Beam hinge	13
6	586 69 47-01	1	Handle left	13
7	585 32 41-02	1	Steel Rod	13
8	586 69 48-01	1	Latch right	13
9	585 34 15-01	2	Hinge pin	13
10	575 54 33-14	8	Screw	13
11	575 23 86-01	1	Screw Kit	13
12	580 51 14-01	1	Spring Cap	13
13	586 80 17-01	1	Gardena Housing	