

AccuCut Li Art. 9850

GB Operation Instructions

Grass Shear

D Betriebsanleitung

Grasschere

F Mode d'emploi

Cisaille à gazon

NL Gebruiksaanwijzing

Grasschaar

S Bruksanvisning

Grässax

DK Brugsanvisning

Græssaks

FI Käyttöohje

Ruohosakset

N Bruksanvisning

Gressaks

I Istruzioni per l'uso

Forbici per erba manuali

E Instrucciones de empleo

Tijeras cortacésped

P Manual de instruções

Tesoura para relva

PL Instrukcja obsługi

Nożyce do trawy

H Használati utasítás

Fűnyíró olló

CZ Návod k obsluze

Nůžky na trávu

SK Návod na obsluhu

Nožnice na trávu

GR Οδηγίες χρήσης

Ψαλίδι χλόης

RUS Инструкция по эксплуатации

 Ножницы для газонов
аккумуляторные

SLO Navodilo za uporabo

Škarje za travo

HR Upute za uporabu

Škare za travu

SRB Uputstvo za rad
BIH Makaze za travu

UA Інструкція з експлуатації

Ножиці газонні акумуляторні

RO Instrucțiuni de utilizare

Foarfecă pentru gazon

TR Kullanma Kılavuzu

Çim makası

BG Инструкция за експлоатация

Ножица за трева

AL Manual përdorimi

Prerëse bari

EST Kasutusjuhend

Murukäärid

LT Eksploatavimo instrukcija

Žolės žirkklės

LV Lietošanas instrukcija

Zāles šķeres

GARDENA Grass Shear AccuCut Li

Original instructions.



This unit is not intended for use by persons (including children) with reduced physical, sensory or mental capabilities, or lack of experience and knowledge, unless they have been given supervision or instruction concerning use of the unit by a person responsible for their safety. Children should be supervised to ensure that they do not play with the unit. The use of this product by young people under the age of 16 is not recommended. Never operate the product when you are tired, ill or under the influence of alcohol, drugs or medicine.

Intended use:

The GARDENA Grass Shears are suitable for cutting lawn edges, smaller grass areas and for precise shaping of shrubs, in particular boxwood, for the private home or hobby garden.

DANGER! Risk of injury! The unit must not be used for chopping up material for composting purposes.

Table of Contents:

1. SAFETY	2
2. INSTALLATION.	5
3. OPERATION.	6
4. MAINTENANCE	6
5. STORAGE	7
6. TROUBLESHOOTING	7
7. TECHNICAL DATA.	8
8. SERVICE/WARRANTY.	9

1. SAFETY

If not used properly this product can be dangerous. The warnings and safety instructions must be followed to ensure reasonable safety and efficiency in using this product.

The operator is responsible for following the warnings and instructions in this manual and on the product. Never use the product unless the guards provided by the manufacturer are in the correct position.

Symbols on the appliance:



Read operator's manual.



DANGER!
Cutting tool continues to run after switching off!



DANGER!
Keep bystanders away.



Do not expose to rain.



WARNING! Read all safety warnings and all instructions.

Failure to follow the warnings and instructions may result in electric shock, fire and/or serious injury.

Save all warnings and instructions for future reference.

Safe operation practices

1) Training

- Read the instructions carefully. Be familiar with the controls and the correct use of the machine.
- Never allow children or people unfamiliar with these instructions to use the machine. Local regulations can restrict the age of the operator.
- Keep in mind that the operator or user is responsible for accidents or hazards occurring to other people or their property.

2) Preparation

- Before use, check the supply and extension cord for signs of damage or aging. If the cord becomes damaged during use, disconnect the cord from the supply immediately.
DO NOT TOUCH THE CORD BEFORE DISCONNECTING THE SUPPLY.
Do not use the machine if the cord is damaged or worn.
- Before use, always visually inspect the machine for damaged, missing or misplaced guards or shields.
- Never operate the machine while people, especially children, or pets are nearby.

3) Operation

- Keep supply and extension cords away from cutting means.
- Wear eye protection and stout shoes at all times while operating the machine.
- Avoid using the machine in bad weather conditions especially when there is a risk of lightning.
- Use the machine only in daylight or good artificial light.

- Never operate the machine with damaged guards or shields or without guards or shields in place.
- Switch on the motor only when the hands and feet are away from the cutting means.
- Always disconnect the machine from the power supply (i.e. remove the plug from the mains remove the disabling device or removable battery)
 - whenever the machine is left unattended,
 - before clearing a blockage,
 - before checking, cleaning or working on the machine,
 - after striking a foreign object,
 - whenever the machine starts vibrating abnormally.
- Take care against injury to feet and hands from the cutting means.
- Always ensure that the ventilation openings are kept clear of debris.

4) Maintenance and storage

- Disconnect the machine from the power supply (i.e. remove the plug from the mains remove the disabling device or removable battery) before carrying out maintenance or cleaning work.
- Use only the manufacturer's recommended replacement parts and accessories.
- Inspect and maintain the machine regularly. Have the machine repaired only by an authorized repairer.
- When not in use, store the machine out of the reach of children.

Additional Safety Recommendations

Warning! Keep toddlers away when you assemble the unit.

Small parts can be easily swallowed. There is also a risk that the polybag can suffocate toddlers.

Work area safety

Only use the unit in the manner and for the functions described in these instructions.

The operator or user is responsible for accidents or hazards occurring to other people or their property.

Do not use the unit when a thunderstorm is approaching.

Electrical safety

Before use, examine cable for damage, replace it if there are signs of damage or ageing.

Do not use the unit if the electric cables are damaged or worn.

Immediately disconnect from the mains electricity supply if the cable is cut, or the insulation is damaged. Do not touch the electric cable until the electrical supply has been disconnected.

Always disconnect the mains cable before disconnecting any plug, cable connector or extension cable.

Always wind cable carefully, avoiding kinking.

Use only on AC mains supply voltage shown on the product rating label.

Under no circumstances should an earth be connected to any part of the unit.

Warning! This unit makes an electromagnetic field while it operates. This field may under some conditions interfere with active or passive medical implants. To decrease the risk of conditions that can possibly injure or kill, we recommend persons with medical implants to speak with their physician and the medical implant manufacturer before operating.

Cables

Use only permitted extension cables as per HD 516.

→ Ask your electrical specialist.

Personal safety

Always wear suitable clothing, protective gloves, and stout shoes.

Thoroughly inspect the area where the unit is to be used and remove all wires and other foreign objects.

Before using the unit and after any impact, check for signs of wear or damage and repair as necessary.

If the unit can no longer be switched off in the event of a defect, place the unit on a solid surface and monitor until the battery is empty. Send the defective unit to the GARDENA Service Centre.

Never attempt to use an incomplete unit or one with an unauthorised modification.

Power tool use and care

Know how to stop the unit quickly in an emergency.

Never hold the unit by the guard.

Do not use the unit if the protection equipments (protective cover, quick blade-stop) are damaged.

Do not use ladders whilst operating the unit.

Remove the battery:

- before leaving the unit unattended for any period;
 - before clearing a blockage;
 - before checking, cleaning or working on the unit;
 - if you hit an object. Do not use your unit until you are sure that the entire unit is in a safe operating condition;
 - if the unit starts to vibrate abnormally. Check immediately. Excessive vibration can cause injury.
 - before passing to another person.
- Only use the unit between 0 – 40 °C.

Battery safety



FIRE RISK!

The battery to be charged must be placed on a non-flammable, heat resistant and nonconductive surface while charging.

Keep corrosive, flammable and easily combustible objects clear of the battery charger and the battery.

Do not cover the battery charger and the battery while charging.

Unplug the battery charger immediately in the event of smoke formation or fire.

Only use the original GARDENA Battery Charger for charging. The use of other battery chargers may damage the batteries irreparably and even cause a fire.



RISK OF EXPLOSION!

→ Protect unit from heat and fire. Do not leave on radiators or expose to strong sunshine for long periods.

Do not use the battery charger outdoors.

Protect the battery charger from damp or wet areas.

Only use the battery in an ambient temperature between –10 °C and + 45 °C.

A non-functioning battery must be disposed of correctly. It may not be sent via post. For further details, please contact your local disposal companies.

The battery charger should be checked regularly for signs of damage or ageing (brittleness) and may only be used if it is in perfect condition.

The charger unit provided may only be used to charge the rechargeable batteries supplied with the unit.

Non-rechargeable batteries must not be charged with this battery charger (danger of fire).

The unit must not be operated during charging.

After charging, disconnect the charger from the mains and from the battery.

Only charge battery between 10 – 45 °C.

After heavy duty service allow battery to cool down first.

Maintenance and storage



RISK OF INJURY!

Do not touch blades.

→ **When finishing or interrupting work push up protection cover.**

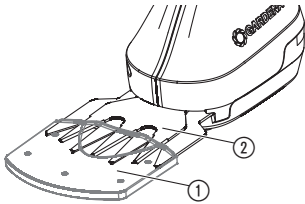
Keep all nuts, bolts and screws secure to be sure the unit is in safe working condition.

The unit must not be stored over 35 °C or under direct exposure to sunlight.

Do not store the unit in places with static electricity.

2. INSTALLATION

Initial Operation:

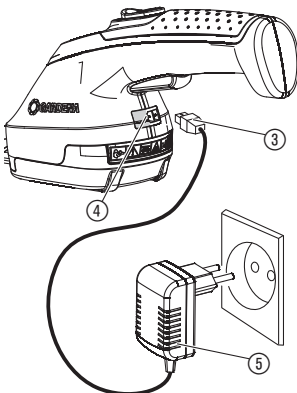


DANGER! Risk of physical injury!

Cut injury when the unit starts accidentally.

→ **Before you initially operate the unit, make sure that the protective cover ① is slid over the blade ②.**

To charge the battery:



The battery should be fully charged before using for the first time. Charging time (see 7. TECHNICAL DATA).

The lithium-ion battery can be re-charged in any state of charge, and the charging process can be interrupted at any time without damaging the battery (no memory effect).

The unit cannot be started during charging.



WARNING!

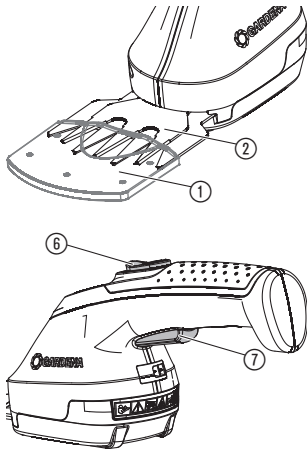
Incorrect mains voltage damages batteries and the battery charger.

→ **Ensure the correct mains voltage.**

1. Connect charging cable ③ to the jack ④ of the Battery Shear.
2. Connect battery charger ⑤ to an electrical socket. During charging, the jack ④ flashes green. The battery is charged. When the jack ④ lights up green, the battery is fully charged. Check the charge status regularly while charging.
3. First pull the charging cable ③ out of the jack ④ and then unplug the battery charger from the electrical socket. When there is a sharp fall in the power of the battery, the unit switches off and the battery needs to be charged.

3. OPERATION

To start the Grass Shear:



DANGER! Risk of physical injury!

Risk of injury if the unit does not stop when you release the start button.

→ **Do not bypass the safety devices or switches. For example do not attach the starting lock-out (6) or start button (7) to the handle.**

To start:

The unit is fitted with a starting lock-out (6) to prevent the unit from being turned on by accident.

1. Clear the area to be cut of stones and other solid objects.
2. Remove the protective cover (1) from the blade (2).
3. Push the starting lock-out (6) forwards and push the start button (7).

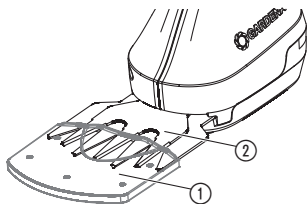
The unit will start.

4. Release the starting lock-out (6).

To stop:

1. Release the start button (7).
2. Slide the protective cover (1) over the blade (2).

4. MAINTENANCE



To clean the Grass Shear:



DANGER! Risk of physical injury!

Cut injury when the unit starts accidentally.

→ **Before you maintain the unit, make sure that the protective cover (1) is slid over the blade (2).**



DANGER! Electric shock!

Risk of injury and risk of damage to property.

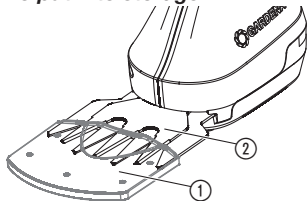
→ **Do not clean the unit with water or with a water jet (in particular high-pressure water jet).**

To increase operating time, the unit should be cleaned and sprayed after each use.

1. Clean the unit with a damp cloth.
2. Lubricate the blade (2) with a low viscosity oil (e.g. GARDENA spray-oil Art. 2366). Avoid contact with the plastic parts.

5. STORAGE

To put into storage:

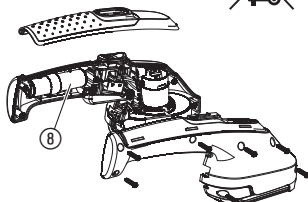


The unit must be stowed away from children.

1. Charge the battery. This increases the life of the battery.
2. Clean the unit (see 4. MAINTENANCE) and slide the protective cover ① over the blade ②.
3. Stowe the unit in a dry area where it has protection from frost.

Disposal:

(in accordance with
RL2012/19/EC)



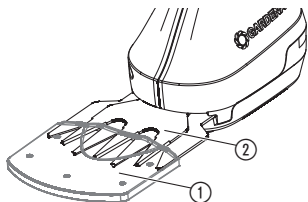
The unit must not be added to usual household waste. Refer to local environmental laws for discarding.

The unit contains lithium-ion cells that should not be discarded with normal household waste at the end of their life.

Please return the lithium-ion cells to your GARDENA dealer or dispose of them properly at a public recycling centre.

1. Discharge lithium-ion cells ⑧ completely.
2. Remove lithium-ion cells ⑧ from the unit.
3. Dispose of lithium-ion cells ⑧ properly.

6. TROUBLESHOOTING

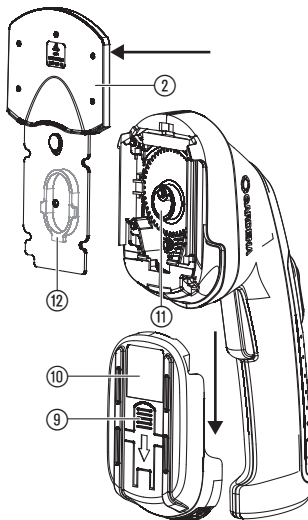


DANGER! Risk of physical injury!

Cut injury when the unit starts accidentally.

→ Before you troubleshoot the unit, make sure that the protective cover ① is slid over the blade ②.

To change the blade:



Only an original GARDENA blade is allowed to be used. A new blade can be ordered by the GARDENA Service.

1. Push the button ⑨ and slide the lid ⑩ downwards.
2. Remove the blade ②.
3. If necessary clean the transmission chamber and lubricate the excentric drive ⑪ with some acid-free grease (Vaseline).
4. Turn the excentric drive ⑪ downwards.
5. Pull the crank ⑫ on the back side of the blade ② in the middle.
6. Place the new blade ② on the motor unit in such a way that the excentric drive ⑪ is inserted in the crank ⑫.
7. Slide the lid ⑩ upwards until it makes a click.

Problem	Possible Cause	Remedy
The jack flashes red while charging	Allowed battery temperature was exceeded.	→ Let the battery cool down. Restart the charging.
Runtime too low	Blade soiled.	→ Clean and lubricate scissor blade in accordance with the maintenance instructions.
Unit does not cut cleanly	Blade blunt or damaged.	→ Change the blade (see <i>To change the blade</i>).



For any other malfunctions please contact the GARDENA service department. Repairs must only be done by GARDENA service departments or specialist dealers approved by GARDENA.

7. TECHNICAL DATA

Grass Shear	AccuCut Li (Art. 9850)
Battery capacity	1.5 Ah
Battery charging time	3.5 hrs.
Battery charger	
Mains voltage/ Mains frequency	100 – 240 V / 50 – 60 Hz
Rated output current	500 mA
Max. output voltage	5.5 V (DC)
Width of blade	8 cm
Weight	approx. 560 g
Sound pressure level L_{pA}¹⁾	< 70 dB (A)
Hand/arm vibration a_{vhw}¹⁾	< 2.5 m/s ²
Uncertainty k_a	1.5 m/s ²

Measuring process complying with ¹⁾ DIN EN 50636-2-94

8. SERVICE/WARRANTY

Service:

Please contact the address on the back page.

Guarantee:

GARDENA guarantees this unit for 2 years (from date of purchase). This guarantee includes all important defects of the unit that can be proved to be material or manufacturing faults. Under warranty we will replace the unit or repair it for no cost if these conditions are applicable:

- The unit must have been used properly and in keeping with the requirements of the operation instructions.
- Neither the purchaser or a not approved third party have tried to repair the unit.

The blade and excentric drive are consumables and are not included in the guarantee.

This manufacturer's guarantee does not have an effect on the user's existing warranty claims against the dealer/seller.

If you have problems with this unit, please contact our Service or send the defective unit together with a short description of the problem – if there is a guarantee, with a copy of the receipt – postage paid to one of the GARDENA Service Centres on the back of this leaflet.

GB Product Liability

We expressly point out that, in accordance with the product liability law, we are not liable for any damage caused by our units if it is because of improper repair or if parts replaced are not original GARDENA parts or approved parts, and, if the repairs were not done by a GARDENA Service Centre or an approved specialist. The same applies to spare parts and accessories.

D Produkthaftung

Wir weisen ausdrücklich darauf hin, dass wir nach dem Produkthaftungsgesetz nicht für durch unsere Geräte hervorgerufene Schäden einzustehen haben, sofern diese durch unsachgemäße Reparatur verursacht oder bei einem Teileaustausch nicht unsere originale GARDENA Teile oder von uns freigegebene Teile verwendet wurden und die Reparatur nicht vom GARDENA Service oder dem autorisierten Fachmann durchgeführt wird. Entsprechendes gilt für Ergänzungsstücke und Zubehör.

F Responsabilité

Nous vous signalons expressément que GARDENA n'est pas responsable des dommages causés par ses appareils, dans la mesure où ces dommages seraient causés suite à une réparation non conforme, dans la mesure où, lors d'un échange de pièces, les pièces d'origine GARDENA n'auraient pas été utilisées, ou si la réparation n'a pas été effectuée par le Service Après-Vente GARDENA ou l'un des Centres SAV agréés GARDENA. Ceci est également valable pour tout ajout de pièces et d'accessoires autres que ceux préconisés par GARDENA.

NL Productaansprakelijkheid

Wij wijzen er nadrukkelijk op, dat wij op grond van de wet aansprakelijkheid voor producten niet aansprakelijk zijn voor schade ontstaan door onze apparaten, indien deze door onvakkundige reparatie veroorzaakt zijn, of er bij het uitwisselen van onderdelen geen gebruik gemaakt werd van onze originele GARDENA onderdelen of door ons vrijgegeven onderdelen en de reparatie niet door de GARDENA technische dienst of de bevoegde vakman uitgevoerd werd. Ditzelfde geldt voor extra-onderdelen en accessoires.

S Produktansvar

Tillverkaren är inte ansvarig för skada som orsakats av produkten om skadan beror på att produkten har reparerats felaktigt eller om, vid reparation eller utbyte, andra än Original GARDENA reservdelar har använts. Samma sak gäller för kompletteringsdelar och tillbehör.

DK Produktansvar

Vi gør udtrykkeligt opmærksom på, at vi i henhold til produktansvarsloven ikke er ansvarlige for skader forårsaget af vores udstyr, såfremt det sker på grund af uautoriserede reparationer eller hvis dele er skiftet ud og der ikke er anvendt originale GARDENA dele eller dele godkendt af os, eller hvis reparationerne ikke er udført af GARDENA-service eller en autoriseret fagmand. Det samme gælder for ekstra udstyr og tilbehør.

FI Tuotevastuu

Korostamme nimenomaan, että tuotevastuulain nojalla emme ole vastuussa laitteistamme johtuneista vahingoista, mikäli nämä ovat aiheutuneet epäasianmukaisesta korjauksesta tai osia vaihdettaessa ei ole käytetty alkuperäisiä GARDENA-varaosia tai hyväksymiämme osia ja korjauksen on suorittanut muu kuin GARDENA-huoltokeskus tai valtuuttamamme ammattihenkilö. Tämä pätee myös lisäosiin ja lisävarusteisiin.

I Responsabilità del prodotto

Si rende espressamente noto che, conformemente alla legislazione sulla responsabilità del prodotto, non si risponde di danni causati da nostri articoli se originati da riparazioni eseguite non correttamente o da sostituzioni di parti effettuate con materiale non originale GARDENA o comunque da noi non approvato e, in ogni caso, qualora l'intervento non venga eseguito da un centro assistenza GARDENA o da personale specializzato autorizzato. Lo stesso vale per le parti complementari e gli accessori.

E Responsabilidad de productos

Advertimos que conforme a la ley de responsabilidad de productos no nos responsabilizamos de daños causados por nuestros aparatos, siempre y cuando dichos daños hayan sido originados por arreglos o reparaciones indebidas, por recambios con piezas que no sean piezas originales GARDENA o bien piezas no autorizadas por nosotros, así como en aquellos casos en que la reparación no haya sido efectuada por un Servicio Técnico GARDENA o por un técnico autorizado. Lo mismo es aplicable para las piezas complementarias y accesorios.

P Responsabilidade sobre o produto

Queremos salientar que segundo a lei da responsabilidade do fabricante, nós não nos responsabilizaremos por danos causados pelo nosso equipamento, quando estes ocorram em decorrência de reparações inadequadas ou da substituição de peças por peças não originais da GARDENA, ou peças não autorizadas.

A responsabilidade tornar-se-á nula também depois de reparações realizadas por oficinas não autorizadas pela GARDENA. Esta restrição valerá também para peças adicionais e acessórios.

PL Odpowiedzialność za produkt

Zwracamy Państwa uwagę, że nie ponosimy odpowiedzialności za uszkodzenia naszych maszyn, bądź szkody spowodowane ich wadliwym funkcjonowaniem, powstałe na skutek nieprawidłowo przeprowadzonych napraw lub użycia nieoryginalnych części zamiennych. Naprawy winny być przeprowadzane tylko przez punkty serwisowe Husqvarna lub autoryzowane serwisy. Dotyczy to również części uzupełniających i oprzyrządowania.

H Termékszavatosság

Nyomatékosan utalunk arra a tényre, hogy a termékszavatossági törvény szerint nem kell jótállást vállalnunk azokra a károokra, amelyeket nem a mi készülékeink okoztak, ha ezeket szakszerűtlen javítás okozta vagy egy alkatrész kicserélésénél nem a mi eredeti GARDENA alkatrészeinket vagy általunk engedélyezett alkatrészeket használták fel és a javítást nem a GARDENA szerviz vagy egy erre felhatalmazott szakember végezte. Hasonlóképpen érvényes ez a kiegészítő alkatrészekre és tartozékokra is.

CZ Odpovědnost za výrobek

Výslovně upozorňujeme na to, že podle zákona o odpovědnosti za výrobek neneseme odpovědnost za škody způsobené našimi přístroji, pokud byly způsobené neodbornou opravou nebo použitím jiných než našich originálních náhradních dílů GARDENA nebo námi schválených dílů a neprovedením opravy servisem GARDENA nebo autorizovaným odborníkem. Odpovídající platí i pro doplňkové díly a příslušenství.

SK Predmet záruky

Upozorňujeme dôrazne na to, že podľa zákona o poskytovaní záruk nezodpovedáme za škody spôsobené našimi výrobkami, v prípade, že boli boli vyvolané neodbornými opravami, výmenou dielcov, ktoré nepatria k originálnym dielom GARDENA alebo neboli nami schválené rovnako boli spôsobené servisnými zásahmi, ktoré neboli vykonané servisom GARDENA alebo autorizovaným odborníkom. Rovnako to platí pre doplnky a príslušenstvo.

GR Ευθύνη για το προϊόν

Σας υπενθυμίζουμε ρητά, ότι σύμφωνα με το νόμο περί ευθύνης για τα προϊόντα δεν ευθυνόμαστε για ενδεχόμενες βλάβες που προκαλούνται από τις συσκευές μας, εφόσον οφείλονται σε μία ακατάλληλη επισκευή ή σε μια αντικατάσταση τμημάτων για την οποία δεν έχουν χρησιμοποιηθεί τα πρωτότυπα ανταλλακτικά της GARDENA ή τα από μας συγκεκριμένα ανταλλακτικά και σε περίπτωση που δεν εκτελείται η επισκευή από το Τμήμα Εξυπηρέτησης Πελατών της GARDENA ή από έναν εξουσιοδοτημένο εξειδικευμένο τεχνίτη. Το ίδιο ισχύει για εξαρτήματα και συμπληρωματικά τμήματα.

SLO Jamstvo za izdelek

Pismo poudarjamo, da po zakonu jamstva za izdelek nismo odgovorni za škodo, ki bi nastala zaradi uporabe našega izdelka, prav tako tudi ne za škodo ki bi nastala zaradi nepravilnega popravila izdelka ali pri napačni zamenjavi delov, ki niso originalni deli GARDENA ali pri uporabi z naše strani potrjenih delov, ki pa niso bili vgrajeni v servisu GARDENA ali v naši pooblašteni servisni službi. Enako velja tudi za nadomestne dele in opremo.

HR Odgovornost za proizvod

Izričito napominjemo da u skladu sa Zakonom o odgovornosti za proizvode nismo odgovorni za štete uzrokovane našim uređajima ako su one izazvane nestručnim popravkom ili u slučaju zamjene dijelova nisu korišteni originalni GARDENA dijelovi ili dijelovi koje smo odobrili i popravak nije izvršio GARDENA servis ili ovlašteni stručnjak. Isto vrijedi i za dodatne dijelove i pribor.

RO Responsabilitatea legala a produsului

Menționăm în mod expres că, în concordanță cu responsabilitatea legală a produsului, nu suntem răspunzători de nici un accident provocat de produsele noastre dacă se datorează reparării necorespunzătoare sau dacă piesele de schimb nu sunt originale GARDENA sau aprobate de GARDENA, sau dacă reparațiile nu au fost efectuate de un Centru de Serviciu GARDENA sau un specialist autorizat. Aceleași prevederi se aplică și pieselor de schimb și accesoriilor.

BG Отговорност за качество

Изрично подчертаваме, че съгласно закона за отговорност за качество, ние не носим отговорност за вредите причинени от нашите уреди, ако същите са причинени от неправилен ремонт или при подмяната на части не са използвани оригинални части на GARDENA или части одобрени от нас и ремонта не е извършен от сервиз на GARDENA или оторизиран специалист. Същото важи за допълнителните части и принадлежности.

EST Tootevastutus

Juhime teie tähelepanu sellele, et tootevastutusseaduse kohaselt ei vastuta me meie seadmete poolt põhjustatud kahjude eest, kui need on tekkinud asjatundmatu paranduse tagajärjel või kui detaili vahetamisel ei kasutatud GARDENA originaalvaruosi ega meie poolt kasutatud lubatud varuosi ja kui parandustööd ei ole teinud GARDENA klienditeenindusspetsialistid ega meie volitatud spetsialistid. Sama kehtib lisadetaliide ja tarvikute kohta.

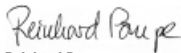
LT Atsakomybė už produkciją

Nurodome, kad remdamiesi Atsakomybės už produkciją įstatymu, neatsakome už nuostolius, sukeltus mūsų prietaisų, jei jie atsirado dėl netinkamo remonto, arba, jei keičiant dalis, buvo naudojamos neoriginalios GARDENA dalys arba dalys, kurių mes neleidome naudoti, o remontą atliko ne GARDENA servisas arba neįgaliotasis specialistas. Tas pats galioja papildomoms dalims ir priedams.

LV Produkta atbildība

Mēs skaidri norādām uz to, ka saskaņā ar Produktu atbildības likumu, mēs neatbildam par mūsu iekārtu radītiem zaudējumiem, ciktāl tos ir izraisījis neatbilstošs remonts vai daļu nomaiņa ar neoriginālām GARDENA daļām vai ne ar mūsu norādītajām detaļām un remontu nav veicis GARDENA serviss vai pilnvarots speciālists. Tas pats attiecas uz papildinošajām daļām un piederumiem.

<p>GB CE Declaration The undersigned Husqvarna AB, 561 82 Huskvarna, Sweden hereby certifies that, when leaving our factory, the units indicated below are in accordance with the harmonised EU guidelines, EU standards of safety and product specific standards. This certificate becomes void if the units are modified without our approval.</p>	<p>H EU-Megfelöléségi nyilatkozat Alulírott, a Husqvarna AB, 561 82 Huskvarna, Sweden igazolja azt, hogy az alábbiakban megnevezett készülékek, az általunk forgalomba hozott kivitelben teljesítik a harmonizációs EU-irányelvek, az EU biztonsági szabványok és a termékre jellemző szabványok követelményeit. Ha a készülékeken a mi beleegyezésünk nélkül változtatást végeznek, akkor ez a nyilatkozat érvényét veszti.</p>
<p>D CE-Konformitätserklärung Der Unterzeichnete Husqvarna AB, 561 82 Huskvarna, Sweden bestätigt, dass die nachfolgende bezeichneten Geräte in der von uns in Verkehr gebrachten Ausführung die Anforderungen der harmonisierten EU-Richtlinien, EU-Sicherheitsstandards und produktspezifischen Standards erfüllen. Bei einer nicht mit uns abgestimmten Änderung der Geräte verliert diese Erklärung ihre Gültigkeit.</p>	<p>CZ Prohlášení o shodě EU Podepsaný Husqvarna AB, 561 82 Huskvarna, Sweden potvrzuje, že dále uvedené přístroje v námi do provozu uvedeném provedení splňují požadavky harmonizačových směrnic EU, bezpečnostních norem EU a norem specifických pro výrobek. Při námi neschválené změně přístrojů ztrácí toto prohlášení platnost.</p>
<p>F Certificat de conformité aux directives européennes Le constructeur, soussigné : Husqvarna AB, 561 82 Huskvarna, Sweden déclare que à la sortie de ses usines le matériel neuf désigné ci-dessous était conforme aux prescriptions des directives européennes énoncées ci-après et conforme aux règles de sécurité et autres règles qui lui sont applicables dans le cadre de l'Union européenne. Toute modification portée sur ce produit sans l'accord express de GARDENA supprime la validité de ce certificat.</p>	<p>SK EU-Vyhlasenie o zhode Nižšie uvedené firma Husqvarna AB, 561 82 Huskvarna, Sweden vyhlasuje, že uvedené zariadenia, ktoré uviedla na trh v tomto vyhotovení, spĺňajú požiadavky harmonizačných smerníc EU, bezpečnostných noriem EU a noriem špecifických pre výrobok. Pri zmene zariadenia, ktorá nebola odsúhlasená výrobcom stráca toto vyhlásenie platnosť.</p>
<p>NL EU-overeenstemmingsverklaring Ondergetekende Husqvarna AB, 561 82 Huskvarna, Sweden bevestigt, dat de volgende genoemde apparaten in de door ons in de handel gebrachte uitvoering voldoen aan de eis van, en in overeenstemming zijn met de EU-richtlijnen, de EU-veiligheidsstandaard en de voor het product specifieke standaard. Bij een niet met ons afgestemde verandering aan de apparaten verliest deze verklaring haar geldigheid.</p>	<p>GR Δήλωση Συμμόρφωσης προς τις Οδηγίες της ΕΕ Η υπογράφουσα Husqvarna AB, 561 82 Huskvarna, Sweden δηλώνει, ότι τα εξής αναφερόμενα εκδιδόμενα από την εταιρία μας προϊόντα ανταποκρίνονται σε όλες τις αναφορουμενες προδιαγραφές της ΕΕ, στα πρότυπα ασφαλείας της ΕΕ και στα ειδικά για το προϊόν πρότυπα. Σε μία μη συμφωνημένη με την εταιρία μας τροποποίηση των συσκευών αυτή η δήλωση χάνει την ισχύ της.</p>
<p>S EU Tillverkarintyg Undertecknad firma Husqvarna AB, 561 82 Huskvarna, Sweden intygar härmed att nedan nämnda produkter överensstämmer med EU:s direktiv, EU:s säkerhetsstandard och produktspecifikation. Detta intyg upphör att gälla om produkten ändras utan vårt tillstånd.</p>	<p>SLO EU-izjava o skladnosti Podpisani proizvajalec »Husqvarna AB, 561 82 Huskvarna, Sweden« s podpisom potrjuje, da sledeče opisana naprava, ki smo jo poslali na tržišče izpolnjuje zahteve harmoniziranih standardov ES-smernic, ES-varnostnih standardov in izdelku specifičnih standardov. V primeru spremembe na napravi brez našega pisnega dovoljenja ta izjava izgubi svoj pomen in veljavnost.</p>
<p>DK EU Overensstemmelse certificat Undertegnede Husqvarna AB, 561 82 Huskvarna, Sweden bekræfter hermed, at enheder listede herunder, ved afsendelse fra fabrikken, er i overensstemmelse med harmoniserede EU retningslinier, EU sikkerheds standarder og produkt specifikations standarder. Dette certifikat træder ud af kraft hvis enhederne er ændret uden vor godkendelse.</p>	<p>HR Izjava o sukladnosti EU-a Dolje potpisana tvrtka Husqvarna AB, 561 82 Huskvarna, Sweden ovime potvrđuje da dolje navedeni uređaji u izvedbi plasirajući na tržište ispunjavaju zahtjeve harmoniziranih EU smjernica, EU sigurnosnih normi i normi za određene proizvode. Ova izjava postaje ništavna u slučaju izmjene uređaja koje nismo odobrili.</p>
<p>FI EU-yhdenmukaisuusvakuutus Allekirjoittanut Husqvarna AB, 561 82 Huskvarna, Sweden vakuuttaa, että allainimitet laitteen täyttävät tehtaaltamme lähnessään yhdenmukaistetujen EU-direktiivien, EU-turvallisuusstandardien ja tuotekohtaisten standardien vaatimukset. Laitteisiin tehdyt muutokset, joista ei ole sovittu kanssamme, johtavat tämän vakuutuksen raukaamiseen.</p>	<p>RO UE-Certificat de conformitate Prin prezenta Husqvarna AB, 561 82 Huskvarna, Sweden, certifica faptul ca, in momentul in care produsele mentionate mai jos ies din fabrica sunt in concordanta cu directivele UE, standardele de siguranta UE si standardele specifice ale produsului UE. Acest certificat devine nul in cazul modificarii aparatului fara aprobarea noastra.</p>
<p>I Dichiarazione di conformità alle norme UE La sottoscritta Husqvarna AB, 561 82 Huskvarna, Sweden certifica che il prodotto qui di seguito indicato, nei modelli da noi commercializzati, è conforme alle direttive armonizzate UE nonché agli standard di sicurezza e agli standard autorifici di prodotto. Qualunque modifica apportata al prodotto senza nostra specifica autorizzazione invalida la presente dichiarazione.</p>	<p>BG ЕС-Декларация за съответствие Подписаната фирма Husqvarna AB, 561 82 Huskvarna, Sweden декларира, че описаните по-долу уређи, пунаати в продажба съгласно нашата спецификация, изпълняват изискванията на хармонизираните ЕС-директиви, ЕС-станданти за безопасност и специфичните производствени стандарти. При промяна на уређа, която не е съгласувана с нас, тази декларация губи своята валидност.</p>
<p>E Declaración de conformidad de la UE El que suscribe Husqvarna AB, 561 82 Huskvarna, Sweden declara que la presente mercancía, objeto de la presente declaración, cumple con todas las normas de la UE, en lo que a normas técnicas, de homologación y de seguridad se refiere. En caso de realizar cualquier modificación en la presente mercancía sin nuestra previa autorización, esta declaración pierde su validez.</p>	<p>EST ELI vastavusdeklaratsioon Allkirjutanu Husqvarna AB, 561 82 Huskvarna, Sweden kinnitab, et kirjeldatud seade vastab meile poolt riiglesse viidud kujul ELi harmoniseeritud direktiividele, ELi ohutusstandarditele ja tootega seotud standarditele. Meiega kooskõlastamata muudatuse tegemise korral seadmel kaotab see deklaratsioon kehtivuse.</p>
<p>P Certificado de conformidade da UE Os abaixo mencionados Husqvarna AB, 561 82 Huskvarna, Sweden, por este meio certificam que ao sair da fábrica os aparelhos abaixo mencionados estão de acordo com as direttrizes harmonizadas da UE, padrões de segurança e de produtos específicos. Este certificado ficará nulo se as unidades forem modificadas sem a nossa aprovação.</p>	<p>LT ES Atitikties deklaracija Pasirašanti įmonė Husqvarna AB, 561 82 Huskvarna, Sweden patvirtina, kad žemiau nurodyti prietaisai ir jų modeliai, kurie buvo pagaminti mūsų gamyklose atitinka ES direktyvas, ES saugumo standartus ir specifinius gaminių standartus. Atlikus bet kokį prietaiso pakeitimą, kuris nėra suderintas su mumis, ši deklaracija praranda galiojimą.</p>
<p>PL Deklaracja zgodności Unii Europejskiej Husqvarna AB, 561 82 Huskvarna, Sweden potwierdza, że poniżej określone urządzenia w wersji oferowanej przez nas do sprzedaży spełniają wymagania zharmonizowanych dyrektyw Unii Europejskiej, standardu bezpieczeństwa Unii Europejskiej i standardu specyficznego dla tego typu produktów. W przypadku zmiany urządzenia, która nie została z nami uzgodniona, niniejsza deklaracja traci moc obowiązująca.</p>	<p>LV ES-atbilstības deklaracija Parakstījies Husqvarna AB, 561 82 Huskvarna, Sweden, Vācija apstiprina, ka sekojoši apzīmētās iekārtas, kuras mēs izplātam, savā izpildījumā atbilst harmonizētajām ES direktīvām, ES drošības standartiem un produkta specifiskajiem standartiem. Ar mūsu neapstiprinātām izmaiņām iekārtā šī deklarācija zaudē savu derīgumu.</p>

<p>Description of the unit: Bezeichnung des Geräts: Désignation du matériel : Omschrijving van de apparaten: Produktbeskrivning: Beskrivelse af produktet: Laitteiden nimitys: Descrizione dei prodotti: Descripción de la mercancía: Descrição dos aparelhos: Nazwa urzędzenia: A készülékek megnevezése: Označení přístrojů: Označenie zariadenia: Ονομασία της συσκευής: Opis naprave: Oznaka uređaja: Descrierea articolelor: Обозначение на уредите: Seadmete nimetus: Prietaisų pavadinimas: Iekārtu apzīmējums:</p>	<p>Grass Shear Grasschere Cisaille à gazon Grasschaar Grässax Græssaks Ruohosakset Forbici per erba manuali Tijeras cortacésped Tesoura para relva Nożyce do trawy Fűnyíró olló Nůžky na trávu Nožnice na trávu Ψαλίδι γλόης Škarje za travu Škare za travu Foarfecă pentru gazon Ножица за трева Murukäärid Žolės žirkklės Zāles šķēres</p>	<p>Deposited Documentation: GARDENA Technical Documentation, M. Kugler, 89079 Ulm</p> <p>Hinterlegte Dokumentation: GARDENA Technische Dokumentation, M. Kugler, 89079 Ulm</p> <p>Documentation déposée: Documentation technique GARDENA, M. Kugler, 89079 Ulm</p>
<p>Product type: Typus megnevezése: Typ-Bezeichnung: Typové označení: Désignation du modèle : Typ-označenie: Type-aanduiding: Όνομασία τύπου: Type-betegnelse: Oznaka tipa: Typebetegnelse: Denumirea tipului: Typipikuvaus: Тип-наименование: Tipologia: Típi ni metus: Designación del tipo: Tipo pavadinimas: Designação do modelo: Tipa apzīmējums: Oznaczenie typu:</p>	<p>Article-Number: Cikkszám: Artikel-Nummer: Číslo výrobku: Référence : Číslo výrobku: Artikelnummer: Κωδικός: Artikelnummer: Številka artikla: Ref.-nummer: Broj artikla: Tuotenumro: Număr articol: Numero articolo: Артикулен номер: Número de artículo: Artikli number: Número de referencia: Gaminio numeris: Numer artykułu: Preces numurs:</p>	<p>Year of CE marking: Anbringningsjaar der CE-Kennzeichnung: Année d'apposition du marquage CE : Installatiejaar van de CE-aanduiding: Märkningsår: CE-Märkningsår: CE-merkinä klinnitysvuosi: Anno di applicazione della certificazione CE: Colocación del distintivo CE: Ano de marcação pela CE: Rok nadania oznakowania CE: CE-jelzés elhelyezésének éve: Rok umistění značky CE: Rok udelenia značky CE: Έτος σήμανσης CE: Leto namestitve CE-oznake: Godina dobivanja CE oznake: Anul de marcare CE: Година на поставяне на CE-маркировка: CE-märkingstuse paigaldamise aasta: Metái, kada pažyméta CE-ženklū: CE-marķējuma uzlikšanas gads:</p> <p style="text-align: right;">2015</p>
<p>AccuCut Li</p> <p>CE-Directives: CE-Richtlinien: Directives CE : CE-richtlijnen: CE-direktiv: CE-direktiver: CE-merkinnät: Directive CE: Directivas CE: Diretivas CE: Dyrektywy CE: CE irányelvek: Směrnice CE: Označenie CE: Οδηγίες CE: CE-direktive: CE smjernice: Directive CE: CE-Direktivi: CE direktiivid: CE direktīvyos: CE direktīvas:</p>	<p>9850</p> <p>2006/42/EC 2004/108/EC (valid to 19.04.2016) 2014/30/EC (valid from 20.04.2016) 2006/95/EC (valid to 19.04.2016) 2014/35/EC (valid from 20.04.2016) 2011/65/EC</p>	<p>Ulm, 21.10.2015 Ulm, den 21.10.2015 Fait à Ulm, le 21.10.2015 Ulm, 21-10-2015 Ulm, 2015.10.21. Ulm, 21.10.2015 Ulm, 21.10.2015 Ulm, 21.10.2015 Ulm, 21.10.2015 Ulm, dnja 21.10.2015 Ulm, 21.10.2015 Ulm, 21.10.2015 Ulm, 21.10.2015 Ulm, 21.10.2015 Ulm, 21.10.2015 Ulm, dana 21.10.2015 Ulm, 21.10.2015 Ulm, 21.10.2015 Ulm, 21.10.2015 Ulm, 21.10.2015 Ulm, 21.10.2015</p> <p>Authorized representative: Der Bevollmächtigte Le mandataire De gevolmachtigde Auktoriserad representant Autoriseret representant Valtuutettu edustaja Persona delegata La persona autorizada O representante Pelnomocnik Meghatalmazott Zplnomocnenec Uplnomocnený O εξουσιοδοτημένος Pooblaščenec Ovlaštena osoba Conducerea tehnică Упълномощен Volitatud esindaja Igaliotasis atstovas Pilnvarotā persona</p> <p style="text-align: right;"> Reinhard Pompe (Vice President)</p>
<p>Harmonised EN: / Harmonisierte EN: EN 60335-1 EN 60335-2-29 EN 50636-2-94 EN 62133 EN ISO 12100</p>		

