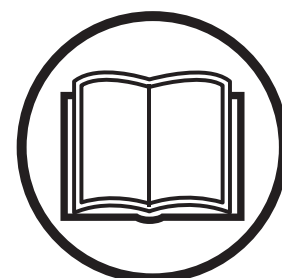




Husqvarna®



**Operator's manual**  
**Manuel d'utilisation**  
**Manual de instrucciones**  
**PP518**



**US CA ES**

Please read the operator's manual carefully and make sure you understand the instructions before using the machine.

Lire attentivement et bien assimiler le manuel d'utilisation avant d'utiliser la machine.

Lea detenidamente el manual de instrucciones y asegúrese de entender su contenido antes de utilizar la máquina.

# KEY TO SYMBOLS

## Symbols on the machine

**WARNING!** The machine can be a dangerous tool if used incorrectly or carelessly, which can cause serious or fatal injury to the operator or others.

Please read the operator's manual carefully and make sure you understand the instructions before using the machine.

Always wear:

- Approved hearing protection

This product is in accordance with applicable CE directives.

Noise emission to the environment according to the European Community's Directive. The machine's emission is specified in the Technical data chapter and on the label.

The muffler is hot. Can result in burns and/or ignite materials. Keep all parts of your body away from hot surfaces.

Hydraulic oil tank

Ignition lock

Stop position, Operating position, Start position

Choke.

Fuel tank



**WARNING!**

Fuel and fuel vapour are highly flammable. Take care when handling fuel and oil. Bear in mind the risk of fire, explosion and inhaling fumes. Do not fill petrol in the vicinity of sparks or open flames.

**Other symbols/decals on the machine refer to special certification requirements for certain markets.**

## Explanation of warning levels

The warnings are graded in three levels.

### WARNING!



**WARNING!** Used if there is a risk of serious injury or death for the operator or damage to the surroundings if the instructions in the manual are not followed.

### CAUTION!



**CAUTION!** Used if there is a risk of injury to the operator or damage to the surroundings if the instructions in the manual are not followed.

### NOTICE!

**NOTICE!** Used if there is a risk of damage to materials or the machine if the instructions in the manual are not followed.

# CONTENTS

## Contents

### KEY TO SYMBOLS

Symbols on the machine .....	2
Explanation of warning levels .....	2

### CONTENTS

Contents .....	3
Note the following before starting: .....	3

### PRESENTATION

Dear customer! .....	4
Design and features .....	4

### WHAT IS WHAT?

What is what on the hydraulic unit? .....	5
---	---

### ASSEMBLING AND ADJUSTMENTS

General .....	6
Filling engine oil .....	6
Filling hydraulic oil .....	6
Connecting the hydraulic hoses .....	6
Checking the Tire Pressure .....	6
Connecting the battery .....	7

### FUEL/OIL HANDLING

General .....	8
Fuel .....	8
Engine oil .....	8
Hydraulic oil .....	8

### OPERATING

Protective equipment .....	9
General safety precautions .....	9
Work safety .....	10
Control functions .....	11
The automatic throttle .....	11
Hydraulic hoses and couplings .....	12

### STARTING AND STOPPING

Before starting .....	13
Starting for the first time .....	13
Check before starting .....	13
Starting .....	13
Stopping .....	14

### MAINTENANCE

General .....	15
Daily maintenance .....	15
Engine .....	15
Hydraulic System .....	16
Battery .....	17
Service .....	17

### TECHNICAL DATA

PP518 .....	18
-------------	----

### FEDERAL EMISSION CONTROL WARRANTY STATEMENT

YOUR WARRANTY RIGHTS AND OBLIGATIONS .....	19
--	----

## Note the following before starting:



**WARNING!** Cutting, especially when DRY cutting, generates dust that comes from the material being cut, which frequently contains silica. Silica is a basic component of sand, quartz, brick clay, granite and numerous other minerals and rocks. Exposure to excessive amount of such dust can cause:

Respiratory disease (affecting your ability to breath), including chronic bronchitis, silicosis and pulmonary fibrosis from exposure to silica. These diseases may be fatal;

Skin irritation and rash.

Cancer according to NTP\* and IARC\* \*/ National Toxicology Program, International Agency for Research on Cancer

Take precautionary steps:

Avoid inhalation of and skin contact with dust, mist and fumes.

Wear and ensure that all bystanders wear appropriate respiratory protection such as dust masks designed to filter out microscopic particles. (See OSHA 29 CFR Part 1910.1200)

Wet cut when feasible, to minimize dust.



## WARNING

The engine exhaust from this product contains chemicals known to the State of California to cause cancer, birth defects or other reproductive harm.

# PRESENTATION

## Dear customer!

Thank you for choosing a Husqvarna product!

It is our wish that you will be satisfied with your product and that it will be your companion for a long time. A purchase of one of our products gives you access to professional help with repairs and services. If the retailer who sells your machine is not one of our authorised dealers, ask him for the address of your nearest service workshop.

This operator's manual is a valuable document. Make sure it is always at hand at the work place. By following its content (using, service, maintenance etc.) the life span and the second-hand value of the machine can be extended. If you ever lend or sell this machine, make sure that the borrower or buyer gets the operator's manual, so they will also know how to properly maintain and use it.

## More than 300 years of innovation

Husqvarna AB is a Swedish company based on a tradition that dates back to 1689, when the Swedish King Charles XI ordered the construction of a factory for production of muskets. At that time, the foundation was already laid for the engineering skills behind the development of some of the world's leading products in areas such as hunting weapons, bicycles, motorcycles, domestic appliances, sewing machines and outdoor products.

Husqvarna is the global leader in outdoor power products for forestry, park maintenance and lawn and garden care, as well as cutting equipment and diamond tools for the construction and stone industries.

## Owner responsibility

It is the owner's/employer's responsibility that the operator has sufficient knowledge about how to use the machine safely. Supervisors and operators must have read and understood the Operator's Manual. They must be aware of:

- The machine's safety instructions.
- The machine's range of applications and limitations.
- How the machine is to be used and maintained.

Local regulations could restrict the use of this machine. Find out what regulations are applicable where you work before you start using the machine.

## The manufacturer's reservation

Subsequent to publishing this manual Husqvarna may issue additional information for safe operation of this product. It is the owner's obligation to keep up with the safest methods of operation.

Husqvarna AB has a policy of continuous product development and therefore reserves the right to modify the design and appearance of products without prior notice.

For customer information and assistance, contact us at our website: [www.husqvarna.com](http://www.husqvarna.com)

## Design and features

Values such as high performance, reliability, innovative technology, advanced technical solutions and environmental considerations distinguish Husqvarna's products. Safe operation of this product requires the operator to read this manual carefully. Ask your dealer or Husqvarna should you need more information.

Some of the unique features of your product are described below.

## Hydraulic unit

The PP518 hydraulic unit is fitted with a flow-adjustable hydraulic pump, which generates hydraulic power in a more efficient manner compared to more standard cogwheel pumps with fixed displacement that are available.

The PP518 hydraulic unit can be suitably used to operate hydraulic tools with the following specifications:

Hydraulic valve:	"Open centre"
Flow requirements	20, 30 or 40 l/min (5, 8 or 10 gal/min)
Max. pressure:	140 bar (2,000 psi) or more

Examples of Husqvarna hydraulic tools which can be used together with the PP518 without any modifications:



**CAUTION!** If a tool requires a flow of 20 l/min (5 gal/min), it is **NOT** permitted to operate it at a higher setting, for instance 30 or 40 l/min (8 or 10 gal/min). This may lead to serious damage to the tool or even personal injury.

**Always seek the advice of the tool manufacturer before connecting it to the power unit.**

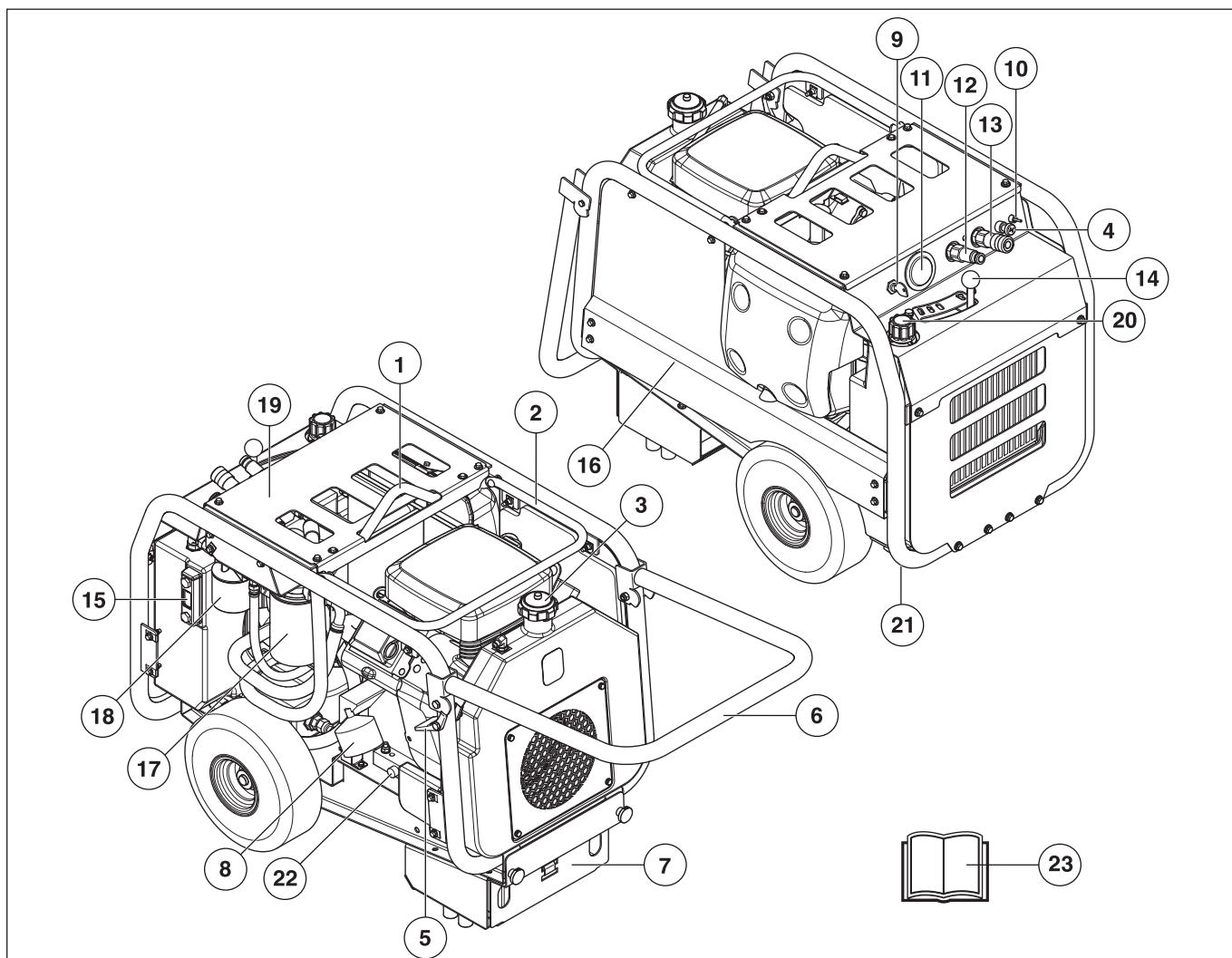
- Power cutters K2500 K3600
- Drill motor DM 406 H
- Wall saw WS 325

## Other popular tools are:

- Hydraulic chainsaw
- Hydraulic water pump

**NOTICE!** Not to be used with hydraulic hammers, hydraulic breakers or equipment with hydraulic cylinders.

# WHAT IS WHAT?



## What is what on the hydraulic unit?

- |                                |   |
|--------------------------------|---|
| 1 Lifting eye                  | 13 Return connection  |
| 2 Brackets for hydraulic hoses | 14 Flow regulation (oil)  |
| 3 Fuel cap                     | 15 Oil level gauge  |
| 4 Choke control                | 16 Electric fuse, 10A   |
| 5 Handle lock                  | 17 Large hydraulic oil filter                                   |
| 6 Transport handle             | 18 Small hydraulic oil filter                                   |
| 7 Battery                      | 19 Adjustable pressure sensor valve for full throttle or idling |
| 8 Engine oil filter            | 20 Hydraulic oil cover  |
| 9 Ignition lock                | 21 Oil plug for hydraulic oil                                   |
| 10 Throttle switch             | 22 Oil plug for engine oil                                      |
| 11 Counter                     | 23 Operator's manual  |
| 12 Pressure connection         |   |

# ASSEMBLING AND ADJUSTMENTS

## General

**CAUTION!** The PP518 hydraulic unit must be serviced before it is used.

In certain consumer markets, the hydraulic unit can be delivered filled with both engine and hydraulic oil.

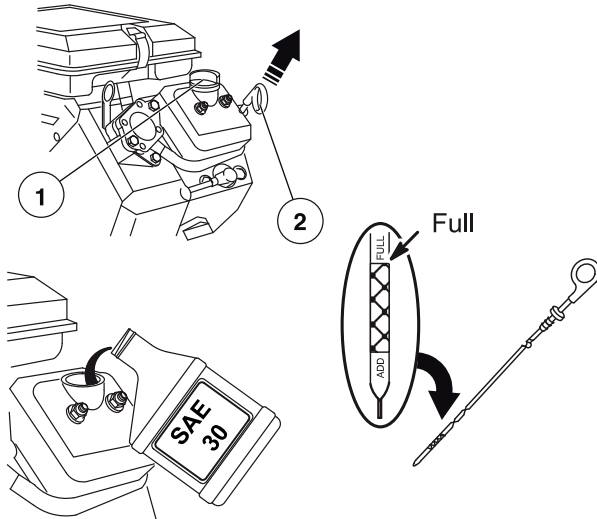
Remove the hydraulic unit from the transport packaging and place it on a level surface.



**IMPORTANT!** Only use the lifting eye when lifting the hydraulic unit.

## Filling engine oil

Check the engine's oil level



- 1 Engine oil fill
- 2 Dipstick

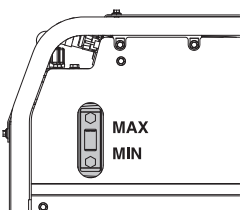
If there is no oil on the dipstick, the engine must be filled with oil according to the instructions under the Engine oil heading or see the instruction manual from Briggs & Stratton.

## Filling hydraulic oil

Fill the hydraulic oil tank

Use only premium quality hydraulic oil such as ISO 46. See the Hydraulic oil section for other alternatives. The total oil volume required to fill the container the first time is 10 litres (2.6 gal). The oil must be filled up to the centre of the gauge glass.

Check the oil level and adjust if required after the first test run.



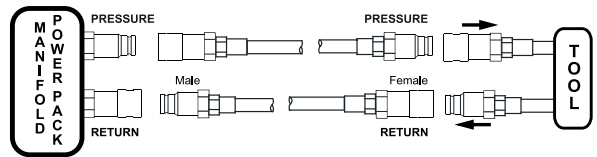
## Connecting the hydraulic hoses

Clean the hydraulic hose couplings with a cloth before connecting them.

Connect the hydraulic hoses to the hydraulic unit. Connect the two couplings to the free ends of the hoses. The hoses are now ready to be filled with oil from the oil container.

**CAUTION!** The hoses can be connected to the power unit with either hose end.

All sets of hoses with couplings which are fitted as outlined in this illustration always result in complete compatibility between the power unit, hoses and tools.



If the hydraulic hoses (7.5 m/25 ft) are empty, a further 1.8 litres (2 quart) of oil or so must be added to the oil tank, after the power unit has been operated for the first time. If an extra 30 metre (100 ft) long, 5/8 inch hose set is used, about 12 litres (3.2 gal) of oil must be added.

The oil level in the oil tank must be checked several times when a new set of hoses are being filled.

## Checking the Tire Pressure

Check the tyre pressure. The tyres are tubeless.

If the tyre pressure is too low, the tyre will be completely deflated. Adjust the pressure to 2 bar (30 psi).

# ASSEMBLING AND ADJUSTMENTS

## Connecting the battery

The hydraulic unit is supplied with no battery cables connected.

The original battery is maintenance free. Do not attempt to open or remove caps or covers. It is usually not necessary to check or adjust the level of electrolyte.

Replace only with a similar maintenance-free battery. See information in the Technical data section.



**WARNING! Lead-acid batteries produce explosive gases. Avoid sparks, open flames and smoking close to batteries.**

**Connecting or disconnecting the battery may cause sparks and short circuits. Never connect the battery terminal to keys, coins, screws or other metal as this may short-circuit the battery.**

**Batteries emit explosive gas. Sparks, flames and cigarettes must absolutely not be brought into the vicinity of the battery.**

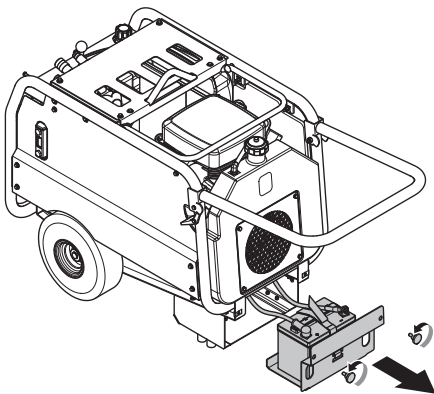
**Unused batteries must be kept away from metal objects such as nails, coins, jewellery.**

**Remove metal bracelets, watches, rings, etc., before connecting the battery. Wear gloves and protective goggles or a dust mask when working with the battery.**

Do as follows to connect the battery.

The battery is placed in the hydraulic unit's support foot.

- 1 Loosen the two knobs at the front of the support foot. Pull out the battery using the two holes on the front edge. This gives full access to the battery and cables.



- 2 Always connect the RED (+) cable to the positive (+) battery terminal first. Attach the cable to the terminal using the 5/16" screw and nut (13 mm or 1/2" wrench).
- 3 Connect the BLACK (-) grounding cable to the negative (-) battery terminal. Attach the cable to the terminal using the 5/16" screw and nut (13 mm or 1/2" wrench).

# FUEL/OIL HANDLING

## General



**WARNING!** Take the following steps to reduce the risk of personal injury and damage to property.

Take care when handling fuel. Bear in mind the risk of fire, explosion and inhaling fumes.

Do not fill petrol in the vicinity of sparks or open flames. Do not smoke.

Only store fuel in containers approved for the purpose.

Never remove the fuel cap or fill the fuel tank with fuel while the engine is running. Always stop the engine and let it cool for a few minutes before refueling.

Never fill the fuel tank indoors.

Store and transport the machine and fuel so that there is no risk of any leakage or fumes coming into contact with sparks or open flames, for example, from electrical machinery, electric motors, electrical relays/ switches or boilers.

Never fill containers inside a vehicle. Always place the container on the ground away from your vehicle when filling.

Remove the machine from the vehicle and refuel it on the ground. If this is not possible, refuel the equipment with a portable container, rather than from a gasoline dispenser nozzle.



**WARNING!** Let the nozzle touch the edge of the fuel tank or the container's opening until refuelling is completed. Do not use a nozzle that can be locked in an open position.

If you spill fuel or chain oil on yourself or your clothes. Change your clothes.

Avoid overfilling. If you have spilled fuel or engine oil on the machine. Wipe off the spillage and allow remaining fuel to evaporate. Tighten the fuel cap carefully after refueling.

**CAUTION!** Handle oil, oil filters, fuel and the battery carefully with environmental considerations. Follow the local recycling requirements.

## Fuel

The Briggs & Stratton engine is guaranteed to run on unleaded petrol with an octane rating of 86 or more as defined by the 'Pump Octane Number' (M+R) or 91 or more as defined by the 'Research Octane Number' (RON). Refuel in a well ventilated area with the engine turned off.

Unleaded standard petrol not containing more than 10% ethanol (E10) can be used. Do not use petrol that contains methanol.

If fuel with an ethanol content higher than 10% (E10) is used, there may be problems starting and/or operating the unit. It may also damage metal, rubber and plastic components in the fuel system, and can be a fire hazard.

Do not use fuel that is older than 30 days. Old fuel can cause running problems as well as fuel system damage.

**The engine will not operate with fuel that is sold as E85 (85% ethanol).**

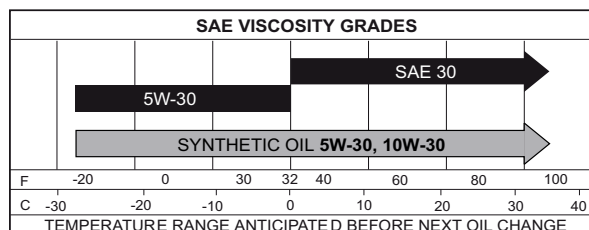
## Engine oil

### Recommended oil

The engine holds approximately 1.4 l (1-1/2 qt/48 oz) of oil, when both the oil and oil filter are replaced.

- Use a high quality detergent oil classified "For Service SF, SG, SH, SJ" or higher.
- Briggs & Stratton strongly recommends that synthetic oils are used.
- Do not use any specific oil additives.
- Select viscosity according to the table below.

Using a synthetic oil does not alter the required oil change intervals. See the accompanying instruction manual from Briggs & Stratton for complete details on the oil.



## Hydraulic oil

All high quality hydraulic oils with a viscosity index of ISO 46 (46 cSt) can be used.

High quality hydraulic oils which are marketed as "biodegradable" can be used with a viscosity index similar to ISO 46.

**CAUTION!** Biodegradable hydraulic oils may require other service intervals compared to the traditional mineral-based oils.

Consult and comply with the supplier's recommendations with regard to the oil's service life.

The hydraulic system can also be used with some "food quality" oils, and can be used in certain applications. Contact Husqvarna Construction Products for assistance.



# OPERATING

## Protective equipment

### General

Do not use the machine unless you are able to call for help in the event of an accident.

### Personal protective equipment

You must use approved personal protective equipment whenever you use the machine. Personal protective equipment cannot eliminate the risk of injury but it will reduce the degree of injury if an accident does happen. Ask your dealer for help in choosing the right equipment.



**WARNING! The use of products such as cutters, grinders, drills, that sand or form material can generate dust and vapors which may contain hazardous chemicals. Check the nature of the material you intend to process and use an appropriate breathing mask.**



**WARNING! Long-term exposure to noise can result in permanent hearing impairment. So always use approved hearing protection. Listen out for warning signals or shouts when you are wearing hearing protection. Always remove your hearing protection as soon as the engine stops.**



**WARNING! There is always a risk of crush injuries when working with products containing moving parts. Wear protective gloves to avoid body injuries.**

Always wear:

- Protective helmet
- Hearing protection
- Protective goggles or a visor
- Breathing mask
- Heavy-duty, firm grip gloves.
- Tight-fitting, heavy-duty and comfortable clothing that permits full freedom of movement.
- Boots with steel toe-caps and non-slip sole

Be careful as clothing, long hair, and jewellery can get caught in moving parts.

### Other protective equipment



**WARNING! Sparks may appear and start a fire when you work with the machine. Always keep fire fighting equipment handy.**

- Fire fighting equipment
- Always have a first aid kit nearby.

## General safety precautions



**WARNING! Read all safety warnings and all instructions. Failure to follow the warnings and instructions may result in electric shock, fire and/or serious injury.**

This section describes basic safety directions for using the machine. This information is never a substitute for professional skills and experience.

- Please read the operator's manual carefully and make sure you understand the instructions before using the machine.
- Keep in mind that the operator is responsible for accidents or hazards occurring to other people or their property.
- All operators shall be trained in the use of the machine. The owner is responsible for ensuring that the operators receive training.
- The machine must be kept clean. Signs and stickers must be fully legible.



**WARNING! The machine can be a dangerous tool if used incorrectly or carelessly, which can cause serious or fatal injury to the operator or others.**

Never allow children or other persons not trained in the use of the machine to use or service it. Never allow anyone else to use the machine without first ensuring that they have read and understood the contents of the operator's manual.

Never use the machine if you are fatigued, while under the influence of alcohol or drugs, medication or anything that could affect your vision, alertness, coordination or judgement.



**WARNING! Unauthorized modifications and/or accessories may lead to serious injury or death to the user or others.**

Do not modify this product or use it if it appears to have been modified by others.

Never use a machine that is faulty. Carry out the safety checks, maintenance and service instructions described in this manual. Some maintenance and service measures must be carried out by trained and qualified specialists. See instructions under the heading Maintenance.

Always use genuine accessories.

### Always use common sense

It is not possible to cover every conceivable situation you can face. Always exercise care and use your common sense. If you get into a situation where you feel unsafe, stop and seek expert advice. Contact your dealer, service agent or an experienced user. Do not attempt any task that you feel unsure of!

# OPERATING

## Work safety

### Work area safety

- **Keep work area clean and well lit.** Cluttered or dark areas invite accidents.
- Always check and mark out where gas pipes are routed. Cutting close to gas pipes always entails danger. Make sure that sparks are not caused when cutting in view of the risk of explosion. Remain concentrated and focused on the task. Carelessness can result in serious personal injury or death.
- Do not use the machine in environments where there is a risk of explosion.
- Make sure that no pipes or electrical wires are routed in the work piece or in the working area.
- Make sure that electrical cables within the working area are not live.
- Observe your surroundings to ensure that nothing can affect your control of the machine.
- Do not use the machine in bad weather, such as dense fog, heavy rain, strong wind, intense cold, etc. Working in bad weather is tiring and can lead to dangerous conditions, e.g. slippery surfaces.
- Do not use the machine in wet or humid surroundings, close to water, in the rain or snow.
- Never start to work with the machine before the working area is clear and you have a firm foothold.



**WARNING! Do not wash the machine with water, as water can enter the electrical system or the engine and cause damage to the machine or short circuit.**

### Personal safety

- Never use the machine if you are fatigued, while under the influence of alcohol or drugs, medication or anything that could affect your vision, alertness, coordination or judgement.
- Prevent unintentional starting. Make sure the ignition switch is in the Stop position and the flow control is in position 0.
- Never leave the machine unsupervised with the motor running.
- Never work alone, always ensure there is another person close at hand. Apart from being able to receive help to assemble the machine, you can also get help if an accident should occur.
- People and animals can distract you causing you to lose control of the machine. For this reason, always remain concentrated and focused on the task.

## Use and care

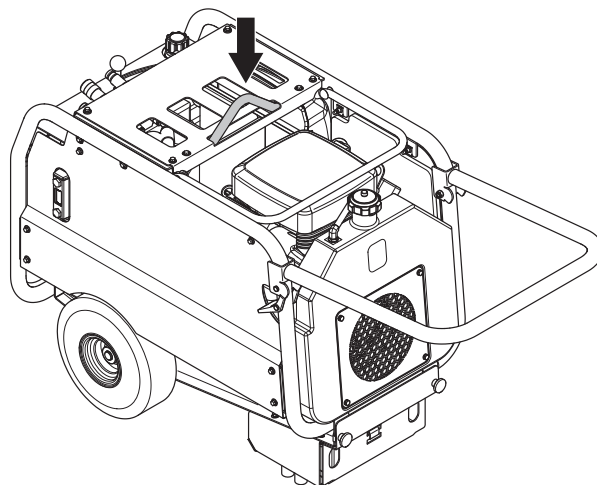
- The machine is intended for use in industrial applications by experienced operators.
- Switch off the engine before carrying out any checks or maintenance.
- Do not overload the machine. Overloading can damage the machine.
- Always switch off the machine before you move it.
- Observe care when lifting. You are handling heavy parts, which imply the risk of pinch injuries or other injuries.
- Do not expose the machine to temperatures exceeding 45°C or to direct sunlight.
- Check that all couplings, connections and cables are intact and free from dirt.
- Keep all parts in good working order and ensure that all fixtures are properly tightened.

## Transport

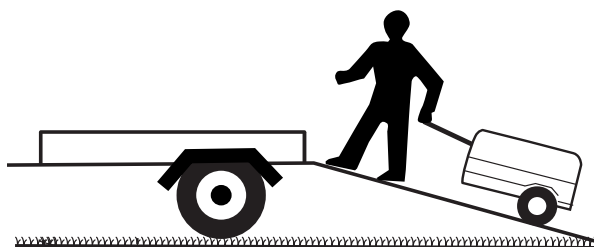
The safest way to move the hydraulic unit from a trailer to a working area is to lift it using the lifting eye. Never attach lifting devices to any other part of the machine. The other components are not designed to withstand the full weight of the hydraulic unit.



**IMPORTANT! Only use the lifting eye when lifting the hydraulic unit.**

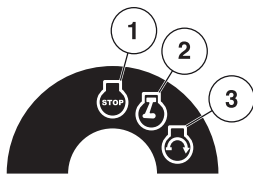


Make sure no one is standing under the hydraulic unit if it has to be moved by hand up into or off a trailer or up and down a slope.



## Control functions

### Ignition lock



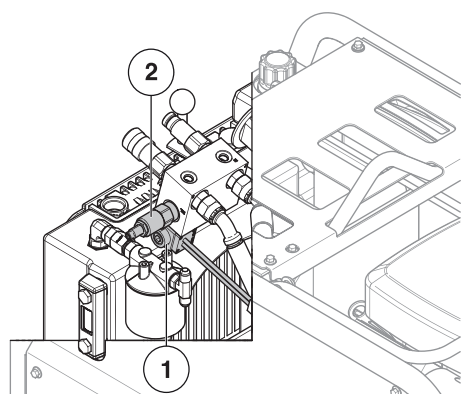
- 1 Stop position, no power to any of the electrical devices.
- 2 Operating position for the hydraulic unit. Note that the timer records the time regardless of whether the engine is running or not. If the key is left in the operating position, the battery also discharges faster.
- 3 Start position, the engine is started.

### Flow regulation (oil)

- Adjust the oil flow by pressing down the flow switch and pushing it to the left for the required oil flow. Regarding flow requirements, see the instruction manual for the tool in question. Never use an oil flow setting higher than the recommended value.
- Once the work is complete, the flow switch must always be reset to position 0 before turning off the engine.
- The engine must always be started with the flow switch in position 0. This ensures that the electric starter motor can crank the engine.

This hydraulic unit can produce an oil flow of 40 litres (10 gallons) a minute. The factory setting for the pressure relief valve is an "opening" pressure of 148 bar (2,150 psi).

### The automatic throttle



- 1 Excess flow valve (do not adjust)
- 2 Adjustable pressure sensor valve for full throttle or idling

The automatic throttle function is triggered by means of an adjustable pressure sensor for idling and full throttle in the hydraulic block.

Setting the adjustable pressure sensor for idling and full throttle for the automatic throttle has no effect on the excess flow valve setting (= maximum system pressure). It detects only the system pressure, and signals the engine to run on idle or at full throttle. The excess flow valve must not be adjusted.

When the tool is engaged, the oil pressure increases quickly to over 50 bar (700 psi). This normally makes the automatic throttle increase the throttle to "full". It is recommended that the engine reaches full speed when the tool is engaged.

In some applications, the hydraulic system throttle can be set too low. This allows the engine to continue to idle even after the tool is connected and full power is required.

The circulation of oil through the hoses creates low pressure, a so-called counter pressure at the adjustable pressure sensor valve.

The counter pressure in the system can vary for several reasons, e.g.:

- Cold hydraulic oil
- The length of the hoses, a longer hose generates a higher counter pressure.
- The valve in hydraulic tool can restrict flow substantially.

When the flow switch is set to 40 litres (10 gallons), this volume of oil circulates through the hoses, through the tool and back to the tank.

### Adjustment

In the PP518, the pressure at which the throttle valve reacts, is adjusted to achieve the required function of a specific tool and condition.

- 1 Connect the hoses and the tool to be used.
- 2 Set the switch for the automatic throttle to position 1.
- 3 Set the flow switch to a suitable setting for the tool.

**CAUTION!** If the oil is cold, the counter pressure in the system triggers full throttle.

- 4 Allow the hydraulic oil to heat up for 1 to 2 minutes. It is now ok to begin working. The hydraulic oil reaches a stable operating temperature in about 5 to 10 minutes.
- 5 If the machine has been running for 10 minutes and the automatic throttle function is not working correctly, the pressure's threshold value between idling and full throttle can be adjusted.
- 6 Adjust the pressure in the throttle's pressure sensor with an 8 mm or 5/16" hex wrench.

If the hydraulic unit's engine is still at full throttle without engaging the tool and hydraulic oil is hot. Turn the adjustment screw clockwise 1/8<sup>th</sup> of a turn at a time until the correct operation is obtained.

If the hydraulic unit's engine still idles when the tool is engaged and work well, but the oil is cold. Turn the adjustment screws counter clockwise 1/8<sup>th</sup> of a turn at a time until the correct operation is obtained.

# OPERATING

## Hydraulic hoses and couplings

The PP518 is fitted with a 7.5 m (25 ft) long hose with an inner diameter of 12.7 mm (1/2 in). ONE additional half-inch hose 10 m (33 ft) long can be fitted (18-20 m/60-65 ft in total). If you need a longer hose for your application, we recommend:

Maximum hose extension - up to a total length of 40 m (130 ft).

- Use the 7.5 m (25 ft) long hose that is supplied with the power unit.
- Connect two 16-metre (53 ft) extension hoses with a diameter of at least 16 mm (5/8 in).

A 32 metre (100 ft.) hose length can also be used, but it is cumbersome to handle.

We strongly recommend using HTMA "Flat Face" compatible hydraulic couplings.



**IMPORTANT! The hydraulic hoses and couplers must have a rated pressure capacity of 140 bar (2,000 psi) with a safety factor of 4 to 1.**

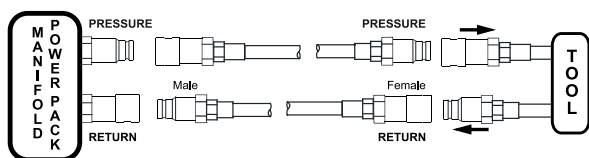
**CAUTION!** The flow direction through the system is always from the male to the female coupling. This means that all extension hoses must be assembled in the same way. If there is a male coupling at one end of a hose, there must always be a female coupling at the reverse end. Never use two of the same type of coupling on a single hose.



**IMPORTANT! The hydraulic oil and, consequently, the hoses and hydraulic couplings can become scalding during normal operation.**

A hydraulic coupling at a temperature of 50 °C (120 °F) is experienced as HOT when touched. It is normal for the oil temperature in the hydraulic unit to reach 70 °C (158 °F) if it is used on a very hot day with ambient temperatures of over 40 °C (104 °F).

As a reference, it can be noted that a car engine normally operates at 90 °C (195 °F).



# STARTING AND STOPPING

## Before starting



**WARNING!** Please read the operator's manual carefully and make sure you understand the instructions before using the machine.

**Wear personal protective equipment. See instructions under the heading "Personal protective equipment".**

**Make sure no unauthorised persons are in the working area, otherwise there is a risk of serious personal injury.**

**Check that the machine is assembled correctly and do not show any signs of damage.**

See the instructions under the Assembly and Settings heading.

- Perform daily maintenance. See instructions under the heading Maintenance.



**WARNING!** The engine emits carbon monoxide, which is a colourless, poisonous gas. Do not use the machine in enclosed spaces.

## Starting for the first time

If the power unit is delivered without hydraulic oil in the tank and hoses, the oil levels must be carefully inspected, before using the unit for the first time.

A new set of empty hydraulic hoses requires approximately 1.8 l (2 qt) of oil.

When the power unit has been started for the first time and the flow switch has been adjusted to the required setting, the hydraulic hoses will fill with oil. Before the machine is used, the level in the hydraulic oil tank must be checked.

If necessary, stop the engine and fill with hydraulic oil.

## Check before starting

Before starting the hydraulic unit, check that:

- The battery is charged and fitted correctly.
- The tyres are correctly inflated.
- The engine oil level is correct.
- The fuel tank is filled with fresh and clean, unleaded regular petrol.
- The hydraulic oil tank is filled to the correct level.
- You are familiar with the location of the controls and their function. Test them before you start the engine.
- You have connected the hydraulic hoses to the hydraulic unit and connected the other ends to a hydraulic tool or to each other.
- Always set the flow switch to position 0 before starting.



**IMPORTANT!** Check the various parts and components in the hydraulic unit for damage before each use. Pay special attention to petrol or oil leaks.

## Starting

Always start the engine with flow switch set in the 0 position and the throttle in position 1.

The throttle lever switch allows you to select one of two modes of operation for the throttle.

The switch for the automatic throttle can be set to either 1 or 0.

- The automatic throttle switch in position 0.

When operating with the lever in position 0, the engine runs at full speed, from 2,600 to 2,700 rpm (loaded) and approx. 2,800 rpm (unloaded).

- The automatic throttle switch in position 1.

After starting, the engine's idling speed is about 1,900 rpm.

When the tool is engaged, a pressure switch on the power unit increases the engine speed to full speed.

When the tool is disengaged, the engine speed is reduced to 1,900 rpm.

The sensitivity of the control system for the automatic throttle can be adjusted to compensate for different conditions, such as increased counter pressure when the hose extensions are connected, operation at lower temperatures, differences in oil viscosity, etc.

See instructions under the Adjustment heading.

- 1 **With a cold engine:** Pull the choke control fully out.
- 2 Turn the ignition key to the start position.
- 3 When the engine starts, immediately release the ignition key so that it returns to the operating position. Push in the choke if you used it to start.
- 4 Allow the engine to warm up for 1 to 2 minutes. Set the flow switch to the required setting. This allows the hydraulic oil to flow from the pump through the hoses to the tool.

In cold weather, we recommend that the hydraulic unit is allowed to pump oil through the hoses and the tool, until the oil has reached a temperature of at least 10 °C (50 °F) before using the tool. This ensures that the automatic throttle switch functions correctly.

See instructions under the Adjustment heading.

---

# STARTING AND STOPPING

---

## Starting the engine with a weak battery

If the battery is too weak to start the engine, it should be recharged or replaced.

When jump leads are used for emergency starting, follow the procedure below:



**IMPORTANT! Your hydraulic unit is equipped with a 12-volt system with negative earth. The other vehicle must have a 12-volt system with negative earth. Do not use your unit battery to start other vehicles.**

## Connecting the jump leads

- 1 Connect each end of the red cable to the POSITIVE pole (+) on each battery, exercise care not to short circuit any of the ends against the chassis.
- 2 Connect one end of the black cable to the NEGATIVE pole (-) on the fully charged battery.
- 3 Connect the other end of the black cable to a good CHASSIS EARTH, away from the fuel tank and the battery.

## Remove the cables in the reverse order

- 1 The BLACK cable is removed from the chassis and then the fully charged battery.
- 2 Finally the RED cable from both batteries.

## Stopping

Turn the ignition key to Stop position to stop the hydraulic unit.

# MAINTENANCE

## General

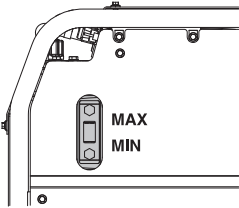


**WARNING! The user must only carry out the maintenance and service work described in this manual. More extensive work must be carried out by an authorized service workshop.**

The life span of the machine can be reduced and the risk of accidents can increase if machine maintenance is not carried out correctly and if service and/or repairs are not carried out professionally. If you need further information please contact your nearest servicing dealer.

## Daily maintenance

- Check that the machine's safety equipment is undamaged. See instructions in the section "Machine's safety equipment".
- Always clean all the equipment at the end of the working day. Use a heavy-duty hand-held brush or a large paint brush.
- Make sure to keep the connectors and pins clean. Clean with a rag or brush.
- Check that hydraulic oil level in the gauge glass is above the lower specified limit. Add oil if necessary.



- Check that the hydraulic hoses are not leaking or bent and that the couplings are not leaking.
- Check for any accumulated debris or dirt in the oil cooler. Clean using compressed air or with a garden hose. Do not use a high pressure washer directly on the cooler.

**NOTICE! Do not use a high pressure washer to clean the machine. The high pressure jet can damage seals and lead to water and dirt permeating into the machine, resulting in serious damage.**

## Engine

The oil level must always be checked before starting the engine. Always maintain the oil level at the full mark. Do not fill with too much oil. Check the level daily or after 8 hours of operation.

**CAUTION! The engine holds approximately 1.4 l (1-1/2 qt/ 48 oz) of oil, when both the oil and oil filter are replaced.**

The hydraulic unit must always be placed on a flat surface, when checking and replacing the oil.

Change the oil after the first 5 to 8 hours of operation. It should then be changed after every 50 hours of running time.

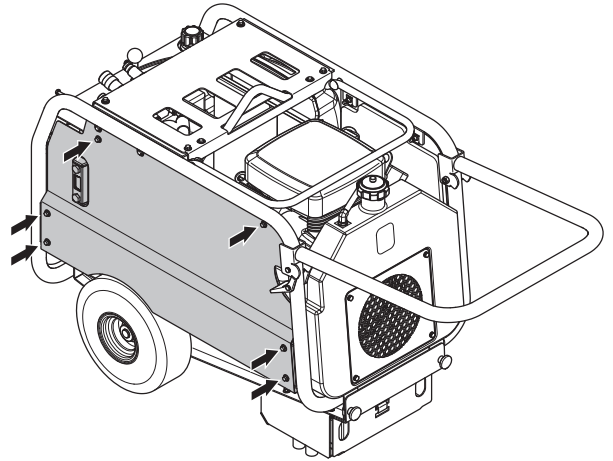
The oil filter must be replaced after every 100 hours running time.

See the instructions under the Engine oil and Oil recommendation headings and in the instruction manual from Briggs & Stratton.

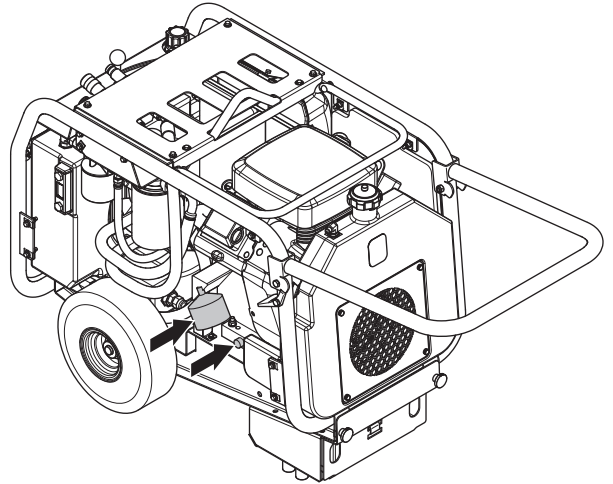
We strongly recommend using only original spare parts from Briggs & Stratton.

## Replacing the engine oil

- 1 With the engine switched off but it is still hot.
- 2 Loosen the 6 screws as outlined below.



- 3 Remove the side panel to access the oil plug and the oil filter.

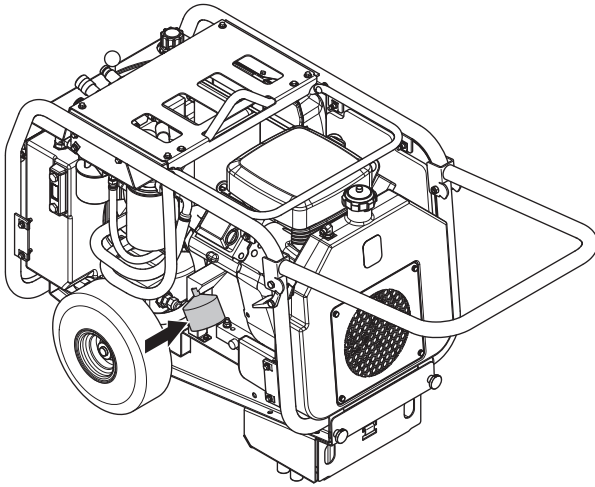


- 4 Drain off the oil into a suitable container. For further information, see the instruction manual from Briggs & Stratton.
- 5 Fill first with 1 litre (1 quart) of any of the recommended oils.
- 6 Start and run the engine at idling speed for approx. 30 seconds.
- 7 Turn off the motor. Check the oil level again, and add more oil if needed. Normally 0.3 to 0.5 litres (12-15 oz).

# MAINTENANCE

## Changing the oil filter

To access the engine oil filter, follow the instructions under the Changing the engine oil heading in section 1-4.



- 1 Remove the engine oil filter.
- 2 Before the new filter is fitted, its gasket must be coated with fresh, clean oil.
- 3 Screw on the filter by hand until the gasket touches the oil filter adapter.
- 4 Tighten a further 1/2 to 3/4 turns.

## Engine oil pressure

- If the engine oil pressure drops below 0.1 to 0.2 kg/cm (1-4 psi), an oil pressure switch shuts down the engine.
- If the engine oil level is below the mark on the dipstick, fill with engine oil until the level reaches the "Full" mark. Try starting the engine.
- If the problem persists, contact an authorised Briggs & Stratton service agent.

## Air filter

If the engine seems to lack power or does not run smoothly this may be because the air filter is clogged. Inspect and service the air filter at every oil change, after every 50 hours of operation.

## Muffler

If the muffler is corroded or is damaged in any other way, it must be replaced because it may become a fire hazard and/or cause injury.

## Fuel filter

The fuel filter must be replaced if it becomes clogged and the flow of fuel to the carburettor is blocked.

We recommend that the fuel filter is replaced every 250 hours of operation or once a season.

## Additional engine information

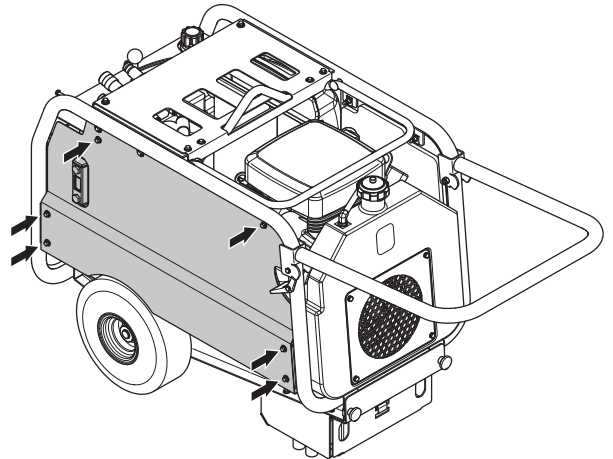
See the accompanying instruction manual from Briggs & Stratton for more information on how to service the engine. The manual also contains specific details on specifications, service parts, engine guarantee, emissions compliance, etc.

## Hydraulic System

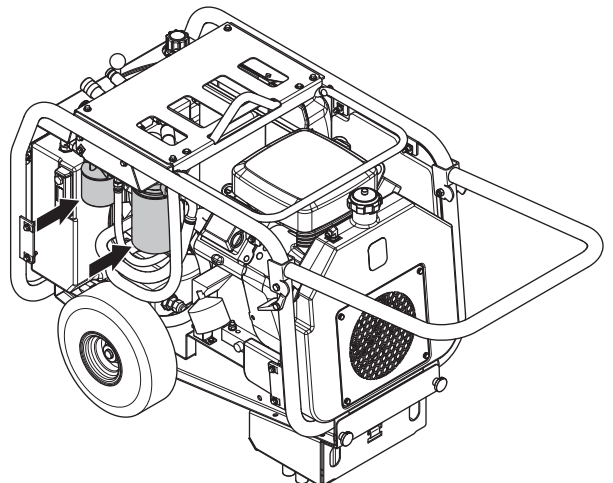
### Replacing the hydraulic oil and the hydraulic oil filter

Accessing the hydraulic oil filter.

- 1 Loosen the 6 screws as outlined below.



- 2 Lift off the side panel.



- 3 Attach the hoses to the hydraulic unit and connect the ends of the hoses together.
- 4 Start the hydraulic unit's engine and set the flow switch in the 40 l (10 gal) position.
- 5 Allow the engine to warm up for 5 minutes with this flow setting.
- 6 Turn off the engine and drain the hydraulic oil into a suitable container. The quick couplings on the hoses should preferably be removed and the oil drained from the hoses too.
- 7 Replace the hydraulic oil filter.
- 8 Fill the tank with hydraulic oil.



## Battery

### Disconnect the battery.

- 1 Always disconnect the BLACK (-) earth cable from the battery (13 mm or 1/2-inch wrench) first.
- 2 Then disconnect the RED (+) cable.

### Charging the battery.

The only safe way to charge a battery is to completely remove it from the hydraulic unit. A standard charger with a charging power of 12 V and 2 to 10 A can be used. Follow all the instructions relating to the charger before it is connected to the battery.

To connect the battery again after charging, see the instructions under Connecting the battery heading.

## Service



**WARNING! All types of repairs may only be carried out by authorised repairmen. This is so that the operators are not exposed to great risks.**

---

# TECHNICAL DATA

---

## PP518

### Dimensions

Dry weight without hoses, kg/lb	127/280
Weight, with oil but without petrol, kg/lb	135/298
Weight, 1/2" x 7.5 m (25 ft) hose, dry, kg/lb	8,5/19
Weight, 1/2" x 7.5 m (25 ft) hose with oil, kg/lb	10/22
Length with handle folded, mm/inch	860/34
Length with handle extended, mm/inch	1300/51
Width, mm/inch	550/22
Height	740/29
Height with hose/tool holder extended	920/36

### Engine

	Briggs & Stratton, V-twin Vanguard 18 hp
Nominal engine output, kW (see note 1)	10,4/14
Volume, engine oil, l/fl oz	1,4/48
Volume, fuel tank, litres/gal	7,9/2,1

### Hydraulic system

Hydraulic system, tools	Valve with open centre
Hydraulic system, power unit	Closed loop
Pump type	Piston pump with variable displacement
Outflow, litres/min/gpm	20, 30, 40/5, 8, 10
Setting for the excess flow valve, bar/psi	148/2150
Nominal hydraulic pressure, bar/psi	110/1595
Main filter (large), micron	25
Pump filter (small), micron	25
Volume of oil tank, litres/gal	10/2.6
Oil type	ISO 46
Oil cooling	Air-cooled, compressed air Complies with HTMA cooling requirements

### Electrical system

Types of battery	U1 size, 12 volt, cold start value 230
Fuse	10 A, similar to car fuse, placed by the starter motor

# FEDERAL EMISSION CONTROL WARRANTY STATEMENT

## YOUR WARRANTY RIGHTS AND OBLIGATIONS

The Environmental Protection Agency and Husqvarna Construction Products are pleased to explain the evaporative emission control system (EECS) warranty on your 2011 and later small off-road engine (SORE) or equipment. New SOREs or equipment must be designed, built, and equipped to meet the new stringent anti-smog standards. Husqvarna Construction Products must warrant the EECS on your SOREs or equipment for the period of time listed below provided there has been no abuse, neglect, or improper maintenance of your SOREs or equipment.

Your EECS may include parts such as the carburetor or fuel tanks, fuel lines, fuel caps, valves, canisters, filters, vapor hoses, clamps, connectors, and other associated components. The covered parts for 2011 and later are given below. When a warrantable condition exists, Husqvarna Construction Products will repair your SORE engine or equipment at no cost to you, including diagnosis, parts, and labor.

## MANUFACTURER'S WARRANTY COVERAGE

This EECS is warranted for two (2) years. If any evaporative emission-related part included in the list of warranted EECS parts for your equipment is defective, the part will be repaired or replaced by Husqvarna Construction Products.

## OWNER'S WARRANTY RESPONSIBILITIES

As the SORE owner, you are responsible for performance of the required maintenance listed in your owner's manual. Husqvarna Construction Products recommends that you retain all receipts covering maintenance on your SORE, but Husqvarna Construction Products cannot deny warranty solely for the lack of receipts. As the SORE owner you should be aware that Husqvarna Construction Products may deny you warranty coverage if your SORE or a warranted EECS part has failed due to abuse, neglect, or improper maintenance or unapproved modifications. You are responsible for presenting your SORE to a Husqvarna Construction Products service center as soon as the problem exists. The warranty repairs should be completed in a reasonable amount of time, not to exceed 30 days. If you have a question regarding your warranty coverage, you should contact the Husqvarna Construction Products service center at 1-800-288-5040 or [www.USA.husqvarnacp.com](http://www.USA.husqvarnacp.com).

## GENERAL EMISSION WARRANTY COVERAGE

Husqvarna Construction Products warrants to the ultimate purchaser and each subsequent purchaser that your SORE or equipment is: Designed, built, and equipped to conform to all applicable regulations; and Free from defects in materials or workmanship that cause the failure of a warranted part to be identical in all material respects to that part as described in the original Husqvarna Construction Products Application for Certification. The warranty period begins on the date the equipment is delivered to the ultimate purchaser or first placed into service. The warranty period is two (2) years. Subject to certain conditions and exclusions as stated below, the warranty on covered emission-related parts is as follows:

- 1 Any warranted part that is not scheduled for replacement as required maintenance in the written instructions supplied is warranted for the warranty period stated above. If the part fails during the warranty period the part will be repaired or replaced by Husqvarna Construction Products according to subsection (4) below. Any such part repaired or replaced under warranty will be warranted for the remainder of the period.
- 2 Any warranted part that is scheduled for regular inspection in the written instructions supplied is warranted for the full warranty period. Any such part repaired or replaced under warranty will be warranted for the remaining warranty period.
- 3 Any warranted part that is scheduled for replacement as required maintenance in the written instructions supplied is warranted for the full warranty period before the first scheduled replacement date for that part. If the part fails before the first scheduled replacement, the part will be repaired or replaced by Husqvarna Construction Products according to subsection (4) below. Any such part repaired or replaced under warranty will be warranted for the remainder of the period prior to the first scheduled replacement point for the part.
- 4 Repair or replacement of any warranted part under the warranty provisions herein must be performed at a Service Center at no cost to the owner.
- 5 Notwithstanding the provisions herein, warranty services or repairs will be provided at all of our service centers that are franchised to service the subject engines or equipment.
- 6 The engine or equipment owner will not be charged for diagnostic labor that is directly associated with diagnosis of a defective emission-related warranted part, provided that such diagnostic work is performed at an authorized Service Center.
- 7 Husqvarna Construction Products may be liable for damages to other engine or equipment components proximately caused by a failure under warranty of any warranted part.
- 8 Throughout the warranty period stated above, Husqvarna Construction Products will maintain a supply of warranted parts sufficient to meet the expected demand for such parts.
- 9 Any replacements part may be used in the performance of any warranty maintenance or repairs must be provided without charge to the owner.
- 10 Add-on or modified parts that are not exempted by the Air Resources Board may not be used. The use of any non-exempt add-on or modified parts by the ultimate purchaser or subsequent purchaser will be grounds for disallowing a warranty claim. Husqvarna Construction Products will not be liable to warrant failures of warranted parts caused by the use of a non-exempted add-on or modified part.

## WARRANTED PARTS

The repair or replacement of any warranted part otherwise eligible for warranty coverage may be excluded from such warranty coverage if Husqvarna Construction Products demonstrates that the engine or equipment has been abused, neglected, or improperly maintained, and that such abuse, neglect, or improper maintenance was the direct cause of the

---

## FEDERAL EMISSION CONTROL WARRANTY STATEMENT

---

need for repair or replacement of the part. That notwithstanding, any adjustment of a component that has a factory installed and properly operating adjustment limiting device is still eligible for warranty coverage. The following emission warranty parts are covered:

- 1 Liquid Fuel Lines
- 2 Fuel Line Clamps and Fittings
- 3 Fuel tank
- 4 Fuel System Vapor Vent Lines
- 5 Fuel cap
- 6 Fuel System Valves (rollover valves and anti-slosh valves where applicable)
- 7 Carbon Canister (where applicable)

# EXPLICATION DES SYMBOLES

## Symboles sur la machine

**AVERTISSEMENT!** La machine utilisée de manière imprudente ou inadéquate peut devenir un outil dangereux, pouvant causer des blessures graves voire mortelles à l'utilisateur et aux autres personnes présentes.



Lire attentivement et bien assimiler le manuel d'utilisation avant d'utiliser la machine.



Toujours utiliser:

- Protecteurs d'oreilles homologués



Émissions sonores dans l'environnement selon la directive de la Communauté européenne. Les émissions de la machine sont indiquées au chapitre Caractéristiques techniques et sur les autocollants.



Le silencieux est chaud. Peut causer des brûlures et/ou enflammer des matériaux. Maintenez toute partie du corps loin des surfaces chaudes.



Réservoir à essence hydraulique



Verrouillage de l'allumage

Position d'arrêt, position de fonctionnement, position de démarrage



Starter.



Réservoir d'essence



**AVERTISSEMENT!**

Le carburant et les vapeurs de carburant sont extrêmement inflammables. Observez la plus grande prudence en manipulant le carburant et l'huile. Pensez aux risques d'incendie, d'explosion et d'inhalation. Ne procédez pas au remplissage en carburant à proximité d'étincelles ou de flammes nues.

**Les autres symboles/autocollants présents sur la machine concernent des exigences de certification spécifiques à certains marchés.**

## Explication des niveaux d'avertissement

Il existe trois niveaux d'avertissement.

### AVERTISSEMENT!



**AVERTISSEMENT!** Symbole utilisé en cas de risque de blessures très graves ou de mort pour l'utilisateur ou de dommages pour les environs si les instructions du manuel ne sont pas suivies.

### REMARQUE !



**REMARQUE !** Symbole utilisé en cas de risque de blessures pour l'utilisateur ou de dommages pour les environs si les instructions du manuel ne sont pas suivies.

### ATTENTION !

**ATTENTION !** Symbole utilisé en cas de risque de dommages pour les matériaux ou la machine si les instructions du manuel ne sont pas suivies.

# SOMMAIRE

## Sommaire

### EXPLICATION DES SYMBOLES

Symboles sur la machine .....	21
Explication des niveaux d'avertissement .....	21

### SOMMAIRE

Sommaire .....	22
Contrôler les points suivants avant la mise en marche:	22

### PRÉSENTATION

Cher client, .....	23
Conception et propriétés .....	23

### QUELS SONT LES COMPOSANTS?

Les composantes d'un groupe hydraulique .....	24
---	----

### MONTAGE ET RÉGLAGES

Généralités .....	25
Approvisionnement en huile moteur .....	25
Approvisionnement en huile hydraulique .....	25
Raccordement des tuyaux hydrauliques .....	25
Vérification de la pression des pneus .....	25
Branchement de la batterie .....	26

### MANIPULATION DU CARBURANT/DE L'HUILE

Généralités .....	27
Carburant .....	27
Huile moteur .....	27
Huile hydraulique .....	28

### COMMANDE

Équipement de protection .....	29
Instructions générales de sécurité .....	29
Sécurité du travail .....	30
Fonctions de commande .....	31
Accélération automatique .....	31
Tuyaux et raccords hydrauliques .....	32

### DÉMARRAGE ET ARRÊT

Avant le démarrage .....	33
Premier démarrage .....	33
Contrôles avant la mise en marche .....	33
Démarrage .....	33
Arrêt .....	34

### ENTRETIEN

Généralités .....	35
Entretien quotidien .....	35
Moteur .....	35
Système hydraulique .....	36
Batterie .....	37
Service .....	37

### CARACTÉRISTIQUES TECHNIQUES

PP518 .....	38
-------------	----

### DÉCLARATION DE GARANTIE POUR LA LUTTE CONTRE LES ÉMISSIONS

VOS DROITS ET OBLIGATIONS EN GARANTIE .....	39
---	----

## Contrôler les points suivants avant la mise en marche:



**AVERTISSEMENT!** La découpe, particulièrement la découpe à SEC soulève la poussière générée par le matériau coupé qui contient souvent de la silice. La silice est composée de sable, de quarts d'argile, de granit et de nombreuses autres substances minérales et rocheuses. L'exposition à une quantité excessive d'une telle poussière peut causer:

Des maladies respiratoires (altérant les facultés respiratoires), y compris bronchites chroniques, silicose et fibrose pulmonaire dues à une exposition à la silice. Ces maladies peuvent être fatales;

Irritation cutanée et démangeaisons.

Des cancers selon NTP\* et IARC\* \*/ National Toxicology Program, International Agency for Research on Cancer

Prendre des mesures préventives:

Éviter l'inhalation et le contact avec la peau de la poussière, des vapeurs et des fumées.

L'utilisateur et les personnes présentes sur le site doivent porter des protections respiratoires appropriées telles que des masques spécialement prévus pour filtrer les particules microscopiques. (Voir OSHA 29 CFR Partie 1910.1200)

Couper si possible en utilisant le jet d'eau afin de réduire la poussière dispersée.



### ATTENTION!

Les émissions du moteur de cet outil contiennent des produits chimiques qui, d'après l'État de Californie, peuvent causer le cancer, des malformations congénitales ou autre danger pour la reproduction.

# PRÉSENTATION

## Cher client,

Nous vous remercions d'avoir choisi un produit Husqvarna !

Nous espérons que cette machine vous donnera toute satisfaction et qu'elle vous accompagnera pendant de longues années. L'achat de l'un des nos produits garantit une assistance professionnelle pour l'entretien et les réparations. Si la machine n'a pas été achetée chez l'un de nos revendeurs autorisés, demandez l'adresse de l'atelier d'entretien le plus proche.

Ce mode d'emploi est précieux. Veillez à ce qu'il soit toujours à portée de main sur le lieu de travail. En suivant les instructions qu'il contient (utilisation, révision, entretien etc.), il est possible d'allonger considérablement la durée de vie de la machine et d'augmenter sa valeur sur le marché de l'occasion. En cas de vente de la machine, ne pas oublier de remettre le manuel d'utilisation au nouveau propriétaire.

## Plus de 300 ans d'innovation

Husqvarna AB est une entreprise suédoise qui a vu le jour en 1689 lorsque le roi Karl XI décida de construire un arsenal pour la fabrication des mousquets. À l'époque, les compétences en ingénierie à la base du développement de certains des produits leaders du marché mondial dans des domaines tels que les armes de chasse, les vélos, les motocycles, l'électroménager, les machines à coudre et les produits d'extérieur, étaient déjà solides.

Husqvarna est le premier fournisseur mondial de produits motorisés pour utilisation en extérieur dans la foresterie, l'entretien de parcs, de pelouses et de jardins, ainsi que d'équipements de coupe et d'outils diamant destinés aux industries de la construction et de la pierre.

## Responsabilité du propriétaire

Il est de la responsabilité du propriétaire/de l'employeur de s'assurer que l'utilisateur possède les connaissances nécessaires pour manipuler la machine en toute sécurité. Les responsables et les utilisateurs doivent avoir lu et compris le Manuel d'utilisation. Ils doivent avoir conscience :

- Des instructions de sécurité de la machine.
- Des diverses applications de la machine et de ses limites.
- De la façon dont la machine doit être utilisée et entretenue.

Les législations locales peuvent limiter l'utilisation de cette machine. Recherchez les législations applicables pour le lieu où vous travaillez avant d'utiliser la machine.

## Droit de réserve du fabricant

Husqvarna peut éditer des informations complémentaires concernant l'utilisation de ce produit en toute sécurité après la publication du présent manuel. Il incombe au propriétaire de se tenir informé des méthodes d'utilisation les plus sûres.

Husqvarna AB travaille continuellement au développement de ses produits et se réserve le droit d'en modifier, entre autres, la conception et l'aspect sans préavis.

Pour obtenir des informations et une assistance client, contactez-nous via notre site Web : [www.husqvarna.com](http://www.husqvarna.com)

## Conception et propriétés

Les produits Husqvarna se distinguent par des valeurs telles que la haute performance, la fiabilité, la technologie innovante, les solutions techniques de pointe et les considérations environnementales. Pour utiliser ce produit en toute sécurité, l'utilisateur doit lire le manuel avec attention. Contactez votre revendeur Husqvarna pour obtenir de plus amples informations.

Certaines des caractéristiques uniques de votre produit sont décrites ci-dessous.

## Unité hydraulique

L'unité hydraulique PP518 est équipée d'une pompe hydraulique à débit réglable générant de la puissance hydraulique plus efficacement que les pompes standard à roues dentées et cylindrée constante, disponibles sur le marché.

L'unité hydraulique PP518 convient pour l'exploitation d'outils hydrauliques dont les caractéristiques sont les suivantes :

Soupape hydraulique :	centre ouvert
Exigences de débit :	20, 30 ou 40 l/min (5, 8 ou 10 gal/min)
Pression max. :	au moins 140 bar (2 000 psi)

Exemples d'outils hydrauliques Husqvarna pouvant être utilisés avec l'unité PP518 sans subir aucune modification :



**REMARQUE ! Si un outil nécessite un débit de 20 l/min (5 gal/min), il est INTERDIT de le faire fonctionner à un plus haut réglage, par exemple à 30 ou 40 l/min (8 ou 10 gal/min). Cela pourrait gravement endommager l'outil, voire causer des blessures personnelles.**

**Demandez toujours l'avis du fabricant de l'outil avant de le connecter à l'unité électrique.**

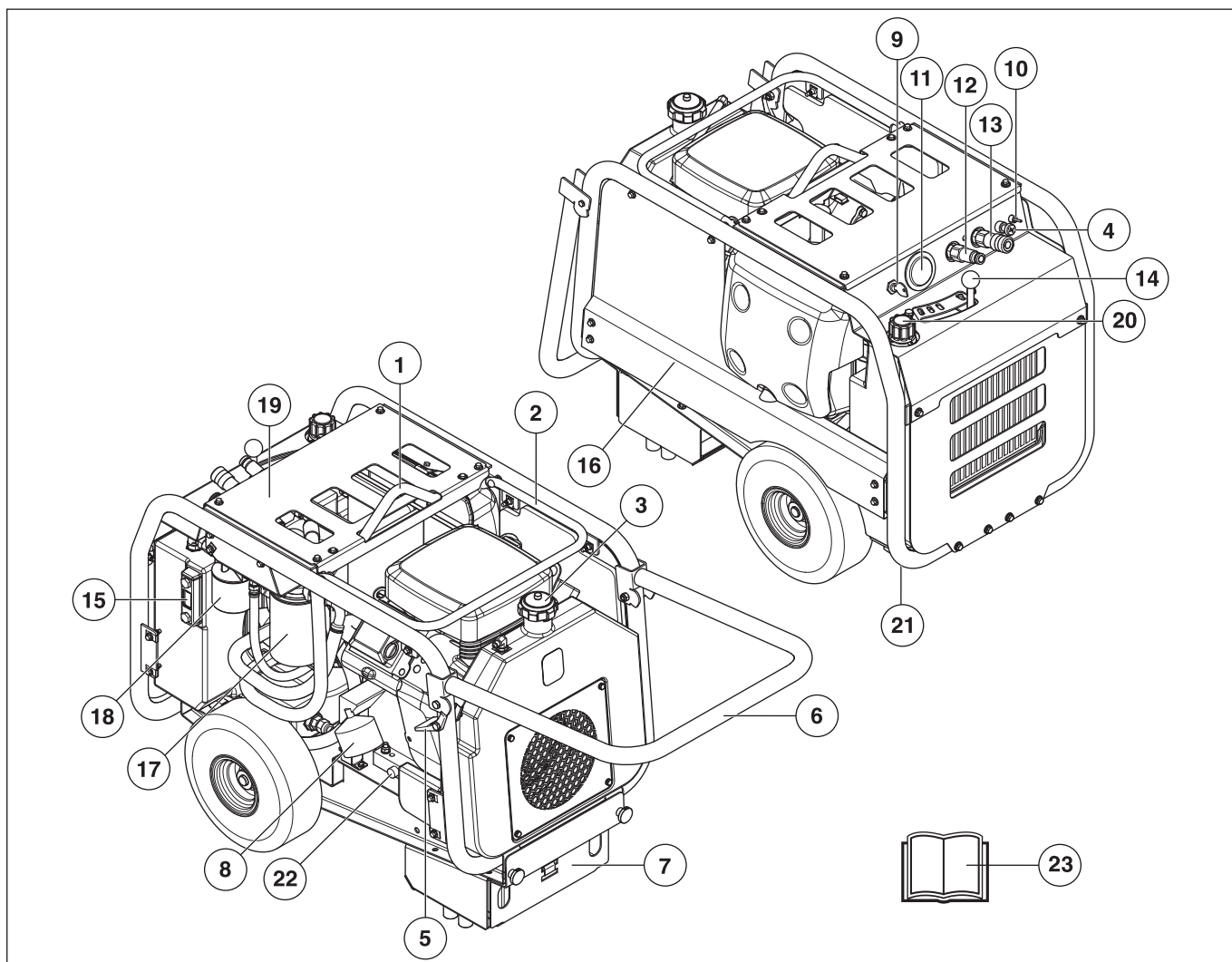
- Découpeuses K2500 K3600
- Moteur de forage DM 406 H
- Scie murale WS 325

## D'autres outils populaires sont :

- Tronçonneuse hydraulique
- Pompe à eau hydraulique

**ATTENTION ! N'utilisez pas le produit avec des marteaux hydrauliques, des broyeurs hydrauliques ou des équipements dotés de vérins hydrauliques.**

# QUELS SONT LES COMPOSANTS?



## Les composantes d'un groupe hydraulique

- |    |                                   |    |  |
|----|-----------------------------------|----|--|
| 1  | Œillet de levage                  | 13 | Raccord de retour  |
| 2  | Supports pour tuyaux hydrauliques | 14 | Régulation du débit (huile)  |
| 3  | Bouchon du réservoir de carburant | 15 | Jauge du niveau d'huile  |
| 4  | Commande de starter               | 16 | Fusible électrique, 10 A   |
| 5  | Poignée de verrouillage           | 17 | Grand filtre à huile hydraulique                                     |
| 6  | Poignée de transport              | 18 | Petit filtre à huile hydraulique                                     |
| 7  | Batterie                          | 19 | Soupape de capteur de pression réglable pour plein régime ou ralenti |
| 8  | Filtre à huile moteur             | 20 | Bouchon de l'huile hydraulique                                       |
| 9  | Verrouillage de l'allumage        | 21 | Bouchon de remplissage d'huile hydraulique                           |
| 10 | Bouton d'accélération             | 22 | Bouchon de remplissage d'huile moteur                                |
| 11 | Compteur d'heures                 | 23 | Manuel d'utilisation   |
| 12 | Raccord de pression               |    |  |



# MONTAGE ET RÉGLAGES

## Généralités

**REMARQUE!** L'unité hydraulique PP518 doit subir un entretien avant d'être utilisée.

Sur certains marchés de consommateurs, l'unité hydraulique peut être fournie déjà remplie d'huile hydraulique et d'huile moteur.

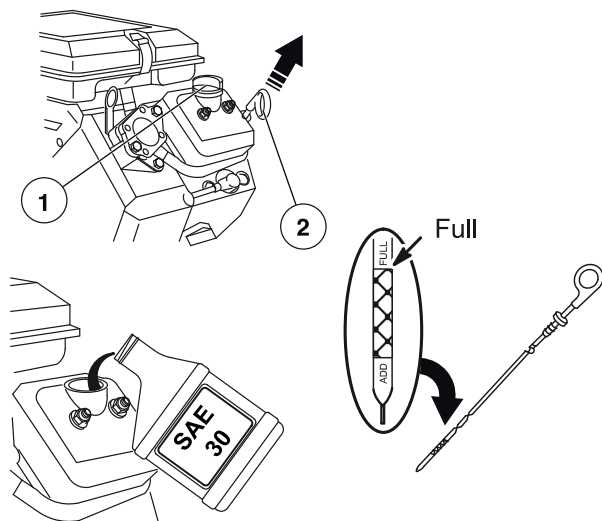
Déballiez l'unité hydraulique de son emballage de transport et placez-la sur une surface plane.



**IMPORTANT!** Pour soulever l'unité hydraulique, utilisez toujours l'anneau de levage.

## Approvisionnement en huile moteur

Vérifiez le niveau d'huile du moteur



- 1 Remplissage d'huile
- 2 Jauge

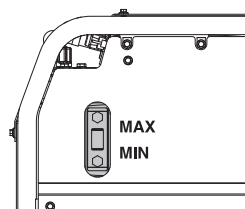
Si l'y a pas d'huile sur la jauge, il faut remplir le moteur avec de l'huile en suivant les instructions de la section Huile moteur ou en vous reportant au manuel d'utilisation de Briggs & Stratton.

## Approvisionnement en huile hydraulique

Remplissez le réservoir d'huile hydraulique.

N'utilisez que de l'huile hydraulique de qualité supérieure, par exemple ISO 46. Reportez-vous à la section Huile hydraulique pour voir les autres possibilités. Le volume total d'huile nécessaire pour remplir le réservoir la première fois est 10 litres (2,6 gal). L'huile doit être ajoutée jusqu'au centre du verre-regard.

Contrôlez le niveau d'huile et ajoutez de l'huile si nécessaire après le premier test.



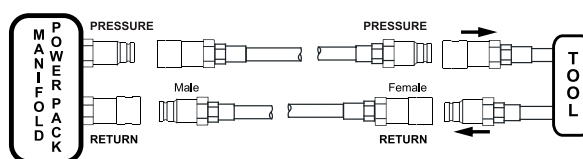
## Raccordement des tuyaux hydrauliques

Nettoyez les raccords de tuyaux hydrauliques à l'aide d'un chiffon avant de procéder au raccordement.

Connectez les tuyaux hydrauliques à l'unité hydraulique. Connectez les deux raccords aux extrémités libres des tuyaux. Les tuyaux sont désormais prêts à être remplis d'huile provenant du réservoir d'huile.

**REMARQUE!** Chaque tuyau peut être raccordé à l'unité électrique par l'une ou l'autre de ses extrémités.

Tous les jeux de tuyaux avec raccords montés comme indiqué ci-dessous permettent une compatibilité parfaite entre l'unité électrique, les tuyaux et les outils.



Si les tuyaux hydrauliques (7,5 m/25 ft) sont vides, il faut rajouter environ 1,8 litres (2 qt) d'huile dans le réservoir d'huile après la première utilisation de l'unité électrique. Si un jeu de tuyau 5/8" supplémentaire de 30 mètres (100 ft) de long est utilisé, il faut rajouter environ 12 litres (3,2 gal).

Le niveau d'huile dans le réservoir d'huile doit être vérifié à plusieurs reprises lorsqu'un nouveau jeu de tuyaux est en cours de remplissage.

## Vérification de la pression des pneus

Contrôlez la pression des pneus. Les pneus sont sans chambre à air.

Si la pression des pneus est trop basse, le pneu est complètement dégonflé. Réglez la pression sur 2 bar (30 psi).

# MONTAGE ET RÉGLAGES

## Branchement de la batterie

L'unité hydraulique est fourni sans câble de batterie.

La batterie d'origine ne nécessite aucun entretien. N'essayez pas de retirer ou d'ouvrir les bouchons et couvercles. Il n'est généralement pas nécessaire de vérifier ou d'ajuster le niveau d'électrolyte.

N'utilisez qu'une batterie similaire ne nécessitant aucun entretien pour remplacement. Consultez les informations dans la section Caractéristiques techniques.



**AVERTISSEMENT! Les batteries plomb-acide génèrent des gaz explosifs. Éviter les étincelles, les feux ouverts et de fumer près des batteries.**

**Le branchement ou le débranchement de la batterie peut causer des étincelles et des courts-circuits. Ne branchez jamais les bornes de la batterie à des clés, des pièces de monnaie, des vis ou tout autre élément métallique ; cela pourrait causer un court-circuit de la batterie.**

**La batterie dégage un gaz explosif. Étincelles, flammes ou cigarettes sont formellement interdites à proximité de la batterie.**

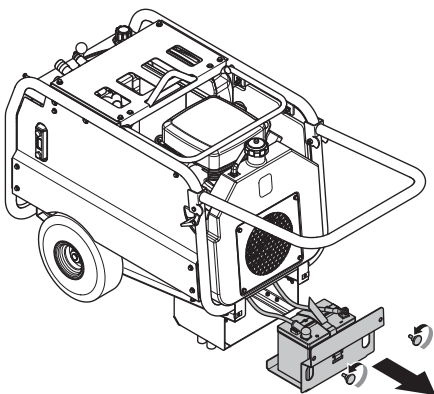
**Les batteries inutilisées doivent rester à distance d'objets métalliques tels que des clous, des pièces de monnaie ou des bijoux.**

**Avant de brancher la batterie, retirez bracelets en métal, montres, bagues, etc. Portez des gants et des lunettes de protection ou un masque à poussière lorsque vous manipulez la batterie.**

Procédez comme suit pour brancher la batterie.

La batterie se place dans le pied d'appui de l'unité hydraulique

- 1 Desserrez les deux bouchons à l'avant du pied d'appui. Sortez la batterie en vous aidant des deux trous sur le bord avant. Vous avez ainsi accès à la batterie et aux câbles.



- 2 Branchez toujours en premier le câble ROUGE (+) sur la borne positive (+) de la batterie. Fixez le câble sur la borne au moyen d'une vis et d'un écrou 5/16" (clé mixte de 13 mm ou 1/2").

- 3 Branchez le câble de terre NOIR (-) sur la borne négative (-) de la batterie. Fixez le câble sur la borne au moyen d'une vis et d'un écrou 5/16" (clé mixte de 13 mm ou 1/2").

# MANIPULATION DU CARBURANT/DE L'HUILE

## Généralités



**AVERTISSEMENT!** Suivez les étapes suivantes pour réduire le risque de blessures personnelles et de dommages matériels.

Manipuler le carburant avec précaution. Penser aux risques d'incendie, d'explosion et d'inhalation.

Ne procédez pas au remplissage en carburant à proximité d'étincelles ou de flammes nues. Eviter de fumer.

Conserver le carburant uniquement dans des récipients prévus à cette fin.

Ne retirez jamais le bouchon du réservoir de carburant et ne remplissez jamais le réservoir quand le moteur tourne. Arrêter le moteur et le laisser refroidir pendant quelques minutes avant de faire le plein.

Ne jamais faire le plein de carburant à l'intérieur.

Transporter et ranger la machine et le carburant de façon à éviter que toute fuite ou émanation éventuelle entre en contact avec une flamme vive ou une étincelle: machine électrique, moteur électrique, contact/interrupteur électrique ou chaudière.

Ne remplissez jamais un bidon à l'intérieur d'un véhicule. Placez toujours le bidon sur le sol et loin de votre véhicule lorsque vous le remplissez.

Sortez la machine du véhicule et remplissez-la sur le sol. Si cela vous est impossible, remplissez l'équipement avec un bidon portable, plutôt qu'à partir d'un pistolet de distributeur d'essence.



**AVERTISSEMENT!** Maintenez le pistolet contre le bord du réservoir de carburant ou de l'orifice du réservoir jusqu'à ce que l'approvisionnement soit terminé. N'utilisez pas un pistolet avec un dispositif de blocage en position ouverte.

Si l'on a renversé sur ses vêtements ou sur soi du carburant ou de l'huile de chaîne. Changer de vêtements.

Éviter de trop remplir. Si du carburant ou de l'huile moteur ont été répandus sur la machine. Essuyer soigneusement toutes les éclaboussures et laisser les restes d'essence s'évaporer. Serrer soigneusement le bouchon du réservoir après le remplissage.

**REMARQUE!** Manipuler l'huile, le filtre à huile, le carburant et la batterie prudemment et dans le respect de l'environnement. Suivre les directives locales en matière de recyclage.

## Carburant

Pour garantir le fonctionnement du moteur Briggs & Stratton, utilisez une essence sans plomb d'indice d'octane supérieur ou égal à 86 selon la définition du Pump Octane Number (M+R) ou supérieur ou égal à 91 selon la définition du Research Octane Number (RON). Procédez au remplissage dans un endroit bien aéré, le moteur étant éteint.

Il est possible d'utiliser une essence sans plomb standard contenant moins de 10 % d'éthanol (E10). Ne pas utiliser d'essence contenant du méthanol.

Si le carburant utilisé contient plus de 10 % d'éthanol (E10), des problèmes de démarrage et/ou de fonctionnement de l'unité peuvent se présenter. Cela pourrait aussi endommager les pièces du système de carburant en métal, en caoutchouc et en plastique, mais également entraîner un risque d'incendie.

N'utilisez pas de carburant ayant dépassé 30 jours. Du vieux carburant peut causer des problèmes de fonctionnement, mais également endommager le système de carburant.

**Le moteur ne fonctionnera pas avec une essence marquée E85 (85 % d'éthanol).**

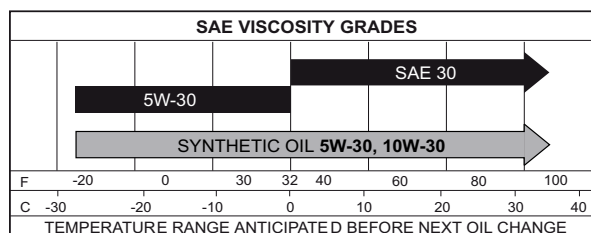
## Huile moteur

### Huile recommandée

Le moteur contient environ 1,4 litre (1-1/2 qt/48 oz) d'huile lorsque l'huile et le filtre à huile sont remplacés.

- Utilisez une huile détergente de haute qualité classée SF, SG, SH, SJ ou supérieure.
- Briggs & Stratton recommande vivement d'utiliser des huiles synthétiques.
- N'utilisez pas d'additifs pour huile spécifiques.
- Choisissez la viscosité en fonction du tableau ci-dessous.

L'utilisation d'une huile synthétique ne modifie pas les intervalles requis de changement d'huile. Reportez-vous au manuel d'utilisation de Briggs & Stratton pour plus de détails sur l'huile.



---

# MANIPULATION DU CARBURANT/DE L'HUILE

---

## Huile hydraulique

Toutes les huiles hydrauliques de haute qualité présentant un indice de viscosité ISO 46 (46 cSt) peuvent être utilisées.

Les huiles hydrauliques de haute qualité vendues comme biodégradables peuvent être utilisées si elles présentent un indice de viscosité identique à ISO 46.

**REMARQUE!** Les huiles hydrauliques biodégradables peuvent nécessiter d'autres intervalles d'entretien que les huiles minérales classiques.

Consultez et respectez les recommandations du fournisseur en ce qui concerne la durée de vie de l'huile.

Le système hydraulique peut aussi être utilisé avec des huiles de qualité alimentaire, pour certaines applications. Contactez Husqvarna Construction Products si vous avez besoin d'aide.

# COMMANDE

## Équipement de protection

### Généralités

Ne jamais utiliser une machine s'il n'est pas possible d'appeler au secours en cas d'accident.

### Équipement de protection personnelle

Un équipement de protection personnelle homologué doit impérativement être utilisé lors de tout travail avec la machine. L'équipement de protection personnelle n'élimine pas les risques mais réduit la gravité des blessures en cas d'accident. Demander conseil au concessionnaire afin de choisir un équipement adéquat.



**AVERTISSEMENT!** L'utilisation de produits tels que des ciseaux, des disques, des forets, des disques fins ou des formes peut générer de la poussière et des vapeurs pouvant contenir des substances chimiques toxiques. Vérifiez la composition du matériel avec lequel vous travaillez et portez un masque respiratoire adapté.



**AVERTISSEMENT!** Une exposition prolongée au bruit risque de causer des lésions auditives permanentes. Toujours utiliser des protecteurs d'oreille agréés. Soyez toujours attentifs aux signaux d'alerte ou aux appels en portant des protège-oreilles. Enlevez-les s'ilôt le moteur arrêté.



**AVERTISSEMENT!** Le risque de coincement est toujours présent lors de travail avec des produits comportant des éléments mobiles. Utiliser des gants de protection pour éviter les blessures personnelles.

Toujours utiliser:

- Casque de protection
- Protecteur d'oreilles
- Lunettes protectrices ou visière
- Masque respiratoire
- Gants solides permettant une prise sûre.
- Vêtements confortables, robustes et serrés qui permettent une liberté totale de mouvement.
- Bottes avec coquille en acier et semelle antidérapante

Attention! Les habits, les cheveux longs et les bijoux peuvent se coincer dans les parties en mouvement.

### Autre équipement de protection



**AVERTISSEMENT!** Lorsque vous travaillez avec la machine, des étincelles peuvent se former et mettre le feu. Gardez toujours à portée de main les outils nécessaires à l'extinction d'un feu.

- Matériel de protection contre le feu
- Une trousse de premiers secours doit toujours être disponible.

## Instructions générales de sécurité



**AVERTISSEMENT!** Lire toutes les consignes et instructions de sécurité. Le non-respect des consignes et instructions peut provoquer une électrocution, un incendie et/ou des blessures graves.

Le présent chapitre décrit les consignes de sécurité de base relatives à l'utilisation de la machine. Aucune de ces informations ne peut remplacer l'expérience et le savoir-faire d'un professionnel.

- Lire attentivement et bien assimiler le manuel d'utilisation avant d'utiliser la machine.
- N'oubliez pas que l'opérateur est responsable des accidents ou dangers aux tiers et à leurs biens.
- Tous les opérateurs doivent recevoir une formation sur l'utilisation de la machine. Il incombe au propriétaire de garantir que les opérateurs reçoivent une formation.
- La machine doit rester propre. Les signes et autocollants doivent être parfaitement lisibles.



**AVERTISSEMENT!** La machine utilisée de manière imprudente ou inadéquate peut devenir un outil dangereux, pouvant causer des blessures graves voire mortelles à l'utilisateur et aux autres personnes présentes.

Ne jamais permettre à des enfants ou à des personnes ne possédant pas la formation nécessaire d'utiliser ou d'entretenir la machine. Ne jamais laisser d'autres personnes utiliser la machine sans s'être assuré au préalable que ces personnes ont bien compris le contenu du mode d'emploi.

N'utilisez jamais la machine si vous êtes fatigué, avez bu de l'alcool ou pris des médicaments susceptibles d'affecter votre vue, votre jugement ou la maîtrise de votre corps.



**AVERTISSEMENT!** Toute modification non autorisée et/ou tout emploi d'accessoires non homologués peuvent provoquer des accidents graves voire mortels pour l'utilisateur et les autres.

Ne modifiez jamais cette machine de façon à ce qu'elle ne soit plus conforme au modèle d'origine et n'utilisez jamais une machine qui semble avoir été modifiée.

Ne jamais utiliser une machine qui n'est pas en parfait état de marche. Appliquer les instructions de maintenance et d'entretien ainsi que les contrôles de sécurité indiqués dans ce manuel d'utilisation. Certaines mesures de maintenance et d'entretien doivent être confiées à un spécialiste dûment formé et qualifié. Voir les instructions à la section Maintenance.

N'utiliser que des accessoires et des pièces d'origine.

# COMMANDE

## Utilisez toujours votre bon sens

Il est impossible de mentionner toutes les situations auxquelles vous pouvez être confronté. Soyez toujours vigilant et utilisez l'appareil avec bon sens. Si vous êtes confronté à une situation où vous pensez ne pas être en sécurité, arrêtez immédiatement et consultez un spécialiste. Veuillez contacter votre revendeur, votre atelier de réparation ou un utilisateur expérimenté. Il convient d'éviter tous les travaux pour lesquels vous ne vous sentez pas suffisamment qualifié !

## Sécurité du travail

### Sécurité dans l'espace de travail

- **Maintenir un espace de travail propre et bien éclairé.**  
Les espaces encombrés ou sombres exposent à des accidents.
- Contrôlez toujours et marquez les emplacements des conduites de gaz. Scier près d'une conduite de gaz est toujours synonyme de danger. Veillez à éviter la formation d'étincelles lors du sciage en raison d'un certain risque d'explosion. L'opérateur doit toujours être attentif et concentré sur son travail. La négligence peut causer des blessures personnelles graves voire mortelles.
- N'utilisez pas la machine dans des milieux présentant un risque d'explosion.
- Assurez-vous qu'aucun tuyau ou câble électrique ne passe dans le matériau à découper ou par la zone de travail.
- Contrôlez que les câbles électriques présents dans la zone de travail ne sont pas sous tension.
- Observez la zone environnante et assurez-vous qu'aucun facteur ne risque d'affecter votre contrôle de la machine.
- Ne pas travailler par mauvais temps: brouillard épais, pluie diluvienne, vent violent, grand froid, etc. Travailler par mauvais temps est fatiguant et peut créer des conditions de travail dangereuses telles que le verglas.
- Ne pas utiliser la machine dans un environnement mouillé ou humide, à proximité d'eau, sous la pluie ou la neige.
- Ne jamais commencer à travailler avec la machine sans avoir le champ libre et les pieds bien d'aplomb.



**AVERTISSEMENT! Ne lavez pas la machine avec de l'eau. Elle peut en effet s'infiltrer dans le système électrique ou le moteur et ainsi endommager la machine ou provoquer un court-circuit.**

### Sécurité du personnel

- N'utilisez jamais la machine si vous êtes fatigué, avez bu de l'alcool ou pris des médicaments susceptibles d'affecter votre vue, votre jugement ou la maîtrise de votre corps.
- Évitez tout démarrage intempestif. Veillez à ce que l'interrupteur d'allumage soit en position d'arrêt et le sélecteur de débit en position 0.
- Ne laissez jamais la machine sans surveillance avec le moteur en marche.
- Ne travaillez jamais seul, mais toujours avec une personne à proximité. Cette personne peut aider à monter la machine, mais aussi intervenir en cas d'accident.
- Des personnes ou des animaux peuvent détourner l'attention de l'opérateur et l'amener à perdre le contrôle de la machine. C'est pourquoi l'opérateur doit toujours être attentif et concentré sur son travail.

## Utilisation et entretien

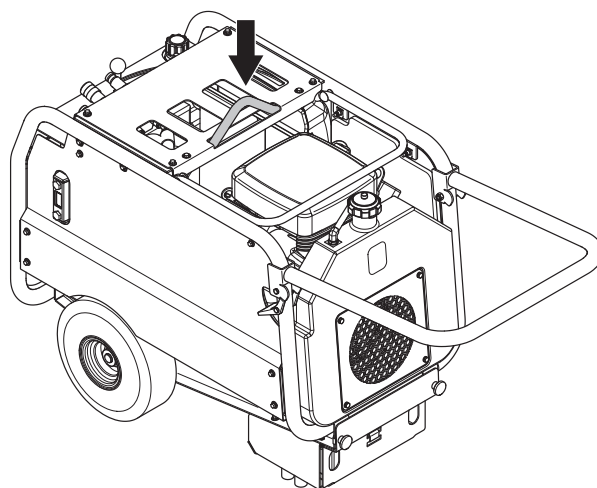
- La machine est conçue pour des applications industrielles et destinée à des opérateurs expérimentés.
- Tout contrôle et/ou entretien doit être effectué avec le moteur à l'arrêt.
- Ne sollicitez pas la machine excessivement. Une surcharge peut endommager la machine.
- Arrêtez toujours la machine avant de la déplacer.
- Faites preuve de prudence en cas de levage. Le maniement de pièces lourdes implique un risque de coinçage ou autre blessure.
- N'exposez pas la machine à des températures dépassant 45°C ou aux rayons directs du soleil.
- Vérifiez que tous les couplages, raccords et câbles sont intacts et qu'ils sont propres.
- Assurez-vous que toutes les pièces sont en état de fonctionnement et que tous les éléments de fixation sont correctement serrés.

## Transport

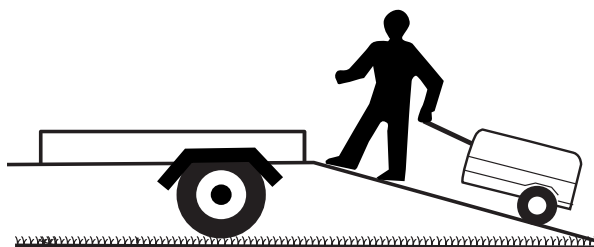
La méthode la plus sûre pour déplacer l'unité hydraulique depuis une remorque vers une zone de travail consiste à la soulever à l'aide de l'anneau de levage. N'attachez jamais de dispositifs de levage sur toute autre partie de la machine. Les autres composants ne sont pas conçus pour supporter le poids total de l'unité hydraulique.



**IMPORTANT! Pour soulever l'unité hydraulique, utilisez toujours l'anneau de levage.**

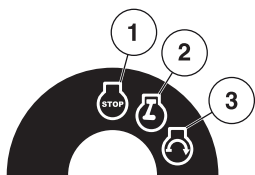


S'assurez que personne ne se tient sous l'unité hydraulique si celle-ci doit être déplacée manuellement dans ou hors d'une remorque ou le long d'une pente.



## Fonctions de commande

### Verrouillage de l'allumage



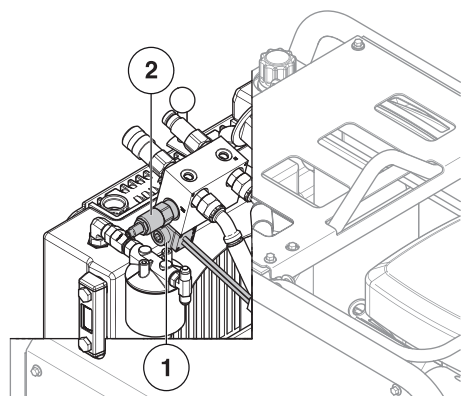
- 1 Position d'arrêt, aucun des appareils électriques n'est alimenté.
- 2 Position de fonctionnement de l'unité hydraulique. Notez que le minuteur enregistre le temps, que le moteur tourne ou pas. Si le bouton reste en position de fonctionnement, la batterie se décharge plus vite.
- 3 Position de démarrage, le moteur est lancé.

### Régulation du débit (huile)

- Réglez le débit d'huile en enfonçant le sélecteur de débit et en le poussant vers la gauche jusqu'au débit d'huile souhaité. Pour connaître les exigences de débit, reportez-vous au manuel d'utilisation de l'outil en question. N'utilisez jamais un réglage de débit d'huile supérieur à la valeur recommandée.
- Une fois le travail accompli, le sélecteur de débit doit obligatoirement être ramené à la position 0 avant de couper le moteur.
- Le moteur doit toujours être démarré avec le sélecteur de débit en position 0. Cela garantit que le moteur du démarreur électrique peut lancer le moteur.

Cette unité hydraulique peut produire un débit d'huile de 40 litres (10 gal) par minute. Le réglage d'usine de la soupape de décharge est une pression d'ouverture de 148 bar (2 150 psi).

### Accélération automatique



- 1 Limiteur de débit (ne pas régler)
- 2 Soupape de capteur de pression réglable pour plein régime ou ralenti

La fonction d'accélération automatique est enclenchée par un capteur de pression réglable pour ralenti et plein régime dans le bloc hydraulique.

Le réglage du capteur de pression réglable pour ralenti et plein régime de l'accélération automatique n'a aucun effet sur le réglage de la soupape de décharge (= pression maximale du système). Le capteur ne détecte que la pression du système et indique au moteur de tourner au ralenti ou à plein régime. La soupape de décharge ne doit pas être ajustée.

Lorsque l'outil est engagé, la pression d'huile augmente rapidement jusqu'à plus de 50 bar (700 psi). L'accélération automatique augmente alors la vitesse du moteur jusqu'à atteindre le plein régime. Il est recommandé que le moteur atteigne le plein régime lorsque l'outil est engagé.

Dans certaines applications, l'accélération du système hydraulique peut être réglée sur une valeur basse. Le moteur peut ainsi continuer à tourner au ralenti même après que l'outil est raccordé et que la puissance maximale est nécessaire.

La circulation de l'huile dans les tuyaux génère une faible pression, appelée contre-pression, au niveau de la soupape du capteur de pression réglable.

La contre-pression dans le système peut varier pour diverses raisons telles que :

- Huile hydraulique froide
- Longueur des tuyaux : un tuyau plus long génère une contre-pression plus élevée.
- La soupape dans l'outil hydraulique peut limiter considérablement le débit.

Lorsque le sélecteur de débit est réglé sur 40 litres (10 gal) par minute, ce volume d'huile circule dans les tuyaux, dans l'outil puis retourne dans le réservoir.

### Réglage

Dans l'unité PP518, la pression de réaction de la soupape d'accélération est réglée afin d'obtenir la fonction requise d'un outil et d'une condition spécifiques.

- 1 Raccordez les tuyaux et l'outil à utiliser.
- 2 Placez le sélecteur de l'accélération automatique sur la position 1.
- 3 Réglez le sélecteur de débit sur une valeur adaptée à l'outil.

**REMARQUE!** Si l'huile est froide, la contre-pression dans le système enclenche le plein régime.

- 4 Laissez l'huile hydraulique chauffer pendant 1 à 2 minutes. Elle est désormais prête à fonctionner. L'huile hydraulique atteint une température de service stable au bout de 5 à 10 minutes.
- 5 Si la machine tourne depuis 10 minutes et que l'accélération automatique ne fonctionne pas correctement, la valeur seuil de pression entre le ralenti et le plein régime peut être ajustée.
- 6 Réglez la pression dans le capteur de pression de l'accélération à l'aide d'une clé mixte de 8 mm ou 5/16".

Si le moteur de l'unité hydraulique est toujours en plein régime sans engager l'outil et que l'huile est chaude : tournez la vis de réglage dans le sens des aiguilles d'une montre d'1/8<sup>e</sup> de tour jusqu'à obtenir un fonctionnement correct.

Si le moteur de l'unité hydraulique est toujours au ralenti alors que l'outil est engagé et fonctionne bien, mais que l'huile est froide : tournez les vis de réglage dans le sens inverse des aiguilles d'une montre d'1/8<sup>e</sup> de tour jusqu'à obtenir un fonctionnement correct.

## Tuyaux et raccords hydrauliques

L'unité PP518 est munie d'un tuyau long de 7,5 m (25 ft), de 12,7 mm (1/2") de diamètre interne. UN tuyau supplémentaire de 10 m (33 ft) de long et de même diamètre peut être fixé (18-20 m/60-65 ft en tout). Si votre application nécessite un tuyau plus long, nous recommandons :

Une rallonge maximale de tuyau de longueur totale 40 m (130 ft).

- Utilisez le tuyau de 7,5 m (25 ft) de long fourni avec l'unité électrique.
- Raccordez deux tuyaux de rallonge de 16 mètres (53 ft), de diamètre supérieur ou égal à 16 mm (5/8").

Une longueur de tuyau de 32 mètres (100 ft) peut également être utilisée, mais sa manipulation est difficile.

Nous recommandons vivement d'utiliser les raccords hydrauliques compatibles HTMA à face plate.



**IMPORTANT! Les tuyaux et raccords hydrauliques doivent présenter une capacité nominale de pression de 140 bar (2 000 psi) et un coefficient de sécurité de 4:1.**

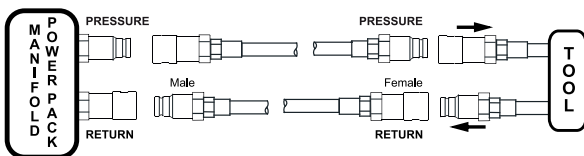
**REMARQUE!** Le sens du débit dans le système va toujours du raccord mâle au raccord femelle. Cela signifie que tous les tuyaux de rallonge doivent être assemblés de la même manière. S'il y a un raccord mâle à une extrémité d'un tuyau, il doit toujours y avoir un raccord femelle à l'autre extrémité. N'utilisez jamais deux raccords du même type sur un même tuyau.



**IMPORTANT! L'huile hydraulique et, par conséquent, les tuyaux et raccords hydrauliques peuvent être brûlants pendant le fonctionnement normal.**

Un raccord hydraulique à une température de 50 °C (120 °F) donne une sensation de CHALEUR au toucher. Il est normal pour la température de l'huile dans l'unité hydraulique d'atteindre 70 °C (158 °F) si elle est utilisée un jour de grande chaleur avec des températures ambiantes dépassant 40 °C (104 °F).

Pour référence, on peut noter par exemple qu'un moteur de voiture fonctionne normalement à 90 °C (195 °F).





# DÉMARRAGE ET ARRÊT

## Avant le démarrage



**AVERTISSEMENT!** Lire attentivement et bien assimiler le manuel d'utilisation avant d'utiliser la machine.

Utiliser les équipements de protection personnelle. Voir au chapitre "Équipement de protection personnelle".

Veiller à ce qu'aucune personne non autorisée ne se trouve dans la zone de travail pour éviter le risque de blessures graves.

Vérifiez que la machine est correctement montée et ne présente aucun dommage.

Consultez les instructions données à la section Montage et réglages.

- Effectuez un entretien quotidien. Voir au chapitre Entretien.



**AVERTISSEMENT!** Le moteur émet du monoxyde de carbone. Il s'agit d'un gaz incolore et toxique. Ne pas utiliser la machine dans des espaces clos.

## Premier démarrage

Si l'unité électrique est fournie sans huile hydraulique dans le réservoir et dans les tuyaux, les niveaux d'huile doivent être vérifiés avec soin avant d'utiliser l'unité pour la première fois.

Un nouveau jeu de tuyaux hydrauliques vides nécessite environ 1,8 l (2 qt) d'huile.

Une fois l'unité électrique démarrée pour la première fois et le sélecteur de débit réglé sur la valeur requise, les tuyaux hydrauliques se remplissent d'huile. Avant d'utiliser la machine, le niveau dans le réservoir d'huile hydraulique doit être contrôlé.

Si nécessaire, arrêtez le moteur et faites le plein d'huile hydraulique.

## Contrôles avant la mise en marche

Avant de démarrer l'unité hydraulique, vérifiez que :

- La batterie est chargée et montée correctement.
- Les pneus sont gonflés correctement.
- Le niveau d'huile moteur est correct.
- Le réservoir de carburant est rempli d'essence normale sans plomb, neuve et propre.
- Le réservoir d'huile hydraulique est rempli jusqu'au niveau adéquat.
- Vous savez où se trouvent les commandes et à quoi les servent. Testez-les avant de démarrer le moteur.
- Vous avez raccordé les tuyaux hydrauliques à l'unité hydraulique et connecté les autres extrémités à un outil hydraulique ou entre elles.
- Placez toujours le sélecteur de débit sur la position 0 avant de démarrer.



**IMPORTANT!** Vérifiez, avant chaque utilisation, que les divers pièces et composants de l'unité hydraulique ne sont pas endommagés. Faites particulièrement attention aux fuites d'essence ou d'huile.

## Démarrage

Démarrez toujours le moteur avec le sélecteur de débit en position 0 et l'accélération en position 1.

Le levier d'accélération vous permet de sélectionner l'un des deux modes de fonctionnement de l'accélération.

Le bouton d'accélération automatique peut être réglé sur 1 ou 0.

- Bouton d'accélération automatique en position 0 :

Lorsque le levier est en position 0, le moteur tourne à plein régime, entre 2 600-2 700 tr/min (chargé) et 2 800 tr/min (sans charge).

- Bouton d'accélération automatique en position 1 :

Après démarrage, la vitesse de ralenti du moteur est d'environ 1 900 tr/min.

Lorsque l'outil est engagé, un pressostat sur l'unité électrique augmente la vitesse du moteur et le fait passer en plein régime.

Lorsque l'outil est désengagé, la vitesse du moteur redescend à 1 900 tr/min.

La sensibilité du système de commande de l'accélération automatique peut être ajustée afin de compenser des conditions variables, par exemple une contre-pression accrue lorsque les rallonges de tuyau sont connectées, un fonctionnement à des températures plus faibles, une huile de viscosité différente, etc.

Consultez les instructions données à la section Réglage.

- 1 **Moteur froid:** Tirer complètement le starter.
- 2 Placer la clé de contact en position de démarrage.
- 3 Quand le moteur démarre, relâchez immédiatement la clé de contact pour qu'elle revienne en position de fonctionnement. Enfoncez le starter si vous vous en êtes servi pour démarrer.
- 4 Laissez le moteur chauffer pendant 1 à 2 minutes. Placez le sélecteur de débit sur la valeur requise. Cela permet à l'huile hydraulique de s'écouler de la pompe vers l'outil en passant par les tuyaux.

Par temps froid, nous recommandons de laisser l'unité hydraulique pomper l'huile via les tuyaux et l'outil jusqu'à ce que l'huile ait atteint une température d'au moins 10 °C (50 °F) avant d'utiliser l'outil. Cette précaution garantit le fonctionnement correct du bouton d'accélération automatique.

Consultez les instructions données à la section Réglage.

# DÉMARRAGE ET ARRÊT

## Démarrage d'un moteur avec batterie faible

Si la batterie est trop faible pour démarrer le moteur, rechargez-la ou remplacez-la.

Si des câbles sont utilisés pour un démarrage d'urgence, procéder comme suit:



**IMPORTANT! Votre unité hydraulique est équipée d'un système de terre négatif de 12 volts. L'autre véhicule doit posséder un système de terre négatif de 12 volts. N'utilisez pas la batterie de votre unité pour démarrer d'autres véhicules.**

## Raccordement des câbles de démarrage

- 1 Brancher chaque extrémité du câble rouge à la borne POSITIVE (+) de chaque batterie en veillant à ne pas court-circuiter une extrémité contre le châssis.
- 2 Brancher une extrémité du câble noir à la borne NÉGATIVE (-) de la batterie complètement chargée.
- 3 Brancher l'autre extrémité du câble noir à un bon CHÂSSIS DE TERRE à bonne distance du réservoir de carburant et de la batterie.

## Retirer les câbles dans l'ordre inverse.

- 1 Commencer par débrancher le câble NOIR du châssis puis de la batterie complètement chargée.
- 2 Débrancher ensuite le câble ROUGE des deux batteries.

## Arrêt

Tournez la clé de contact sur la position d'arrêt pour arrêter l'unité hydraulique.

## Généralités

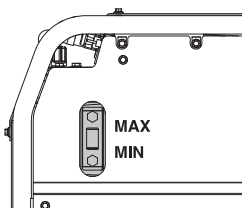


**AVERTISSEMENT! L'utilisateur ne peut effectuer que les travaux d'entretien et de révision décrits dans ce manuel d'utilisation. Les mesures plus importantes doivent être effectuées dans un atelier d'entretien agréé.**

La durée de vie de la machine risque d'être écourtée et le risque d'accidents accru si la maintenance de la machine n'est pas effectuée correctement et si les mesures d'entretien et/ou de réparation ne sont pas effectuées de manière professionnelle. Pour obtenir de plus amples informations, contacter l'atelier de réparation le plus proche.

## Entretien quotidien

- Vérifiez que l'équipement de sécurité de la machine est en parfait état. Voir instructions à la rubrique « Équipement de sécurité de la machine ».
- Toujours nettoyer l'équipement complet à la fin de la journée de travail. Utilisez une brosse manuelle résistante ou un pinceau large.
- Veiller à garder les connecteurs et les broches propres. Nettoyer à l'aide d'un chiffon ou d'une brosse.
- Vérifiez que le niveau d'huile hydraulique dans le verre- regard est au-dessus de la limite inférieure spécifiée. Ajoutez de l'huile si nécessaire.



- Vérifiez que les tuyaux hydrauliques ne fuient pas et ne sont pas courbés, vérifiez aussi que les raccords ne fuient pas.
- Vérifiez qu'il n'y a pas ni débris ni poussière accumulés dans le refroidisseur d'huile. Nettoyez à l'aide d'air comprimé ou d'un tuyau d'arrosage. N'utilisez pas de nettoyeur haute pression directement sur le refroidisseur.

**ATTENTION !** Ne pas utiliser de nettoyeur haute pression pour le nettoyage de la machine. Le jet à haute pression peut endommager les joints et ainsi laisser de l'eau ou de la poussière pénétrer dans la machine, ce qui cause de graves dommages.

## Moteur

Le niveau d'huile doit toujours être contrôlé avant de démarrer le moteur. Maintenez toujours le niveau d'huile au repère maximal. Ne mettez pas trop d'huile. Vérifiez le niveau tous les jours ou toutes les 8 heures de fonctionnement.

**REMARQUE!** Le moteur contient environ 1,4 litre (1-1/2 qt/ 48 oz) d'huile lorsque l'huile et le filtre à huile sont remplacés.

L'unité hydraulique doit toujours être placée sur une surface plane lors du contrôle et du remplacement de l'huile.

Changez l'huile après les 5 à 8 premières heures d'utilisation. Elle doit ensuite être changée toutes les 50 heures d'utilisation.

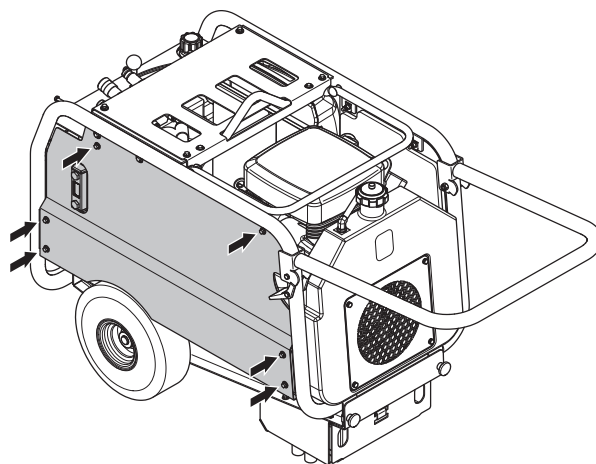
Le filtre à huile doit être remplacé toutes les 100 heures d'utilisation.

Consultez les instructions données aux sections Huile moteur et Recommandations relatives à l'huile ainsi que dans le manuel d'utilisation de Briggs & Stratton.

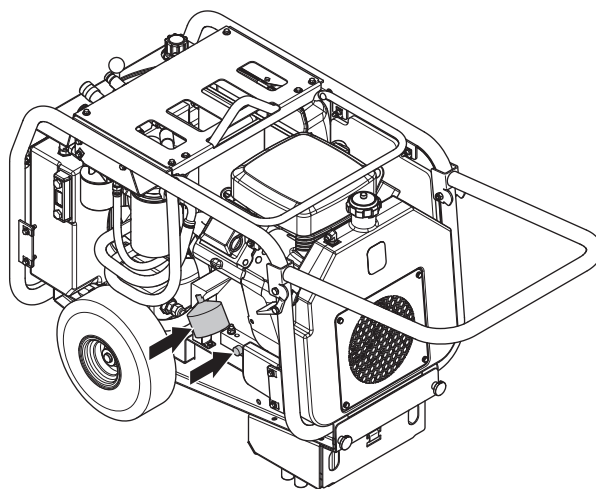
Nous recommandons vivement d'utiliser uniquement des pièces de rechange d'origine de Briggs & Stratton.

## Remplacement de l'huile moteur

- 1 Le moteur doit être éteint mais encore chaud.
- 2 Desserrez les 6 vis indiquées ci-dessous.



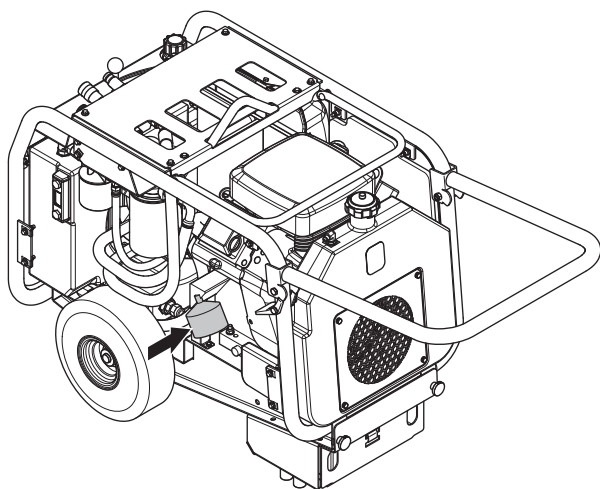
- 3 Enlevez le panneau latéral pour accéder au bouchon de remplissage d'huile et au filtre à huile.



- 4 Vidangez l'huile dans un récipient adapté. Pour plus d'informations, reportez-vous au manuel d'utilisation de Briggs & Stratton.
- 5 Remplissez d'abord avec 1 litre (1 qt) d'une des huiles recommandées.
- 6 Démarrer et faire tourner le moteur au ralenti pendant environ 30 secondes.
- 7 Arrêter le moteur. Contrôlez de nouveau le niveau d'huile et ajoutez de l'huile si nécessaire. Normalement 0,3 à 0,5 litre (12-15 oz).

## Remplacement du filtre à huile

Pour accéder au filtre à huile moteur, suivez les instructions données à la section 1-4 sous Remplacement de l'huile moteur.



- 1 Ôtez le filtre à huile moteur.
- 2 Avant d'installer le nouveau filtre, son joint doit être recouvert d'huile neuve et propre.
- 3 Mettez le filtre en place en le vissant à la main jusqu'à ce que le joint touche l'adaptateur du filtre à huile.
- 4 Faites 1/2 à 3/4 tour de plus.

## Pression d'huile moteur

- Si la pression d'huile moteur descend en dessous de 0,1-0,2 kg/cm (1-4 psi), un pressostat coupe le moteur.
- Si le niveau d'huile moteur est en dessous du repère sur la jauge, rajoutez de l'huile moteur jusqu'à ce que le niveau atteigne le repère maximal. Essayez de démarrer le moteur.
- Si le problème persiste, contactez un agent agréé du service Briggs & Stratton.

## Filtre à air

Si le moteur manque de puissance ou s'il tourne irrégulièrement, il se peut que le filtre à air soit colmaté. Inspectez le filtre à air et effectuez-en la maintenance à chaque changement d'huile, toutes les 50 heures de fonctionnement.

## Silencieux

Si le silencieux présente des signes de corrosion ou s'il est endommagé, il faut le remplacer car il peut causer un risque d'incendie et/ou de blessure.

## Filtre à carburant

Le filtre à carburant doit être remplacé s'il s'obstrue et si le flux de carburant dans le carburateur est entravé.

Nous recommandons de remplacer le filtre à carburant toutes les 250 heures de fonctionnement ou une fois par saison.

## Informations supplémentaires relatives au moteur

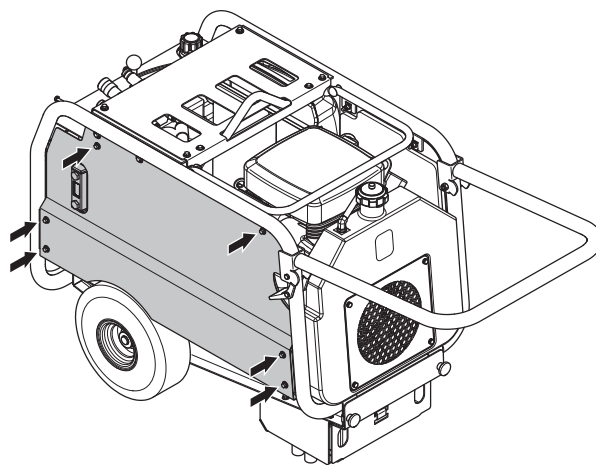
Consultez le manuel d'utilisation de Briggs & Stratton pour plus d'informations sur la maintenance du moteur. Le manuel contient aussi des détails spécifiques sur les caractéristiques techniques, sur les pièces d'entretien, sur la garantie du moteur, sur la conformité des émissions, etc.

## Système hydraulique

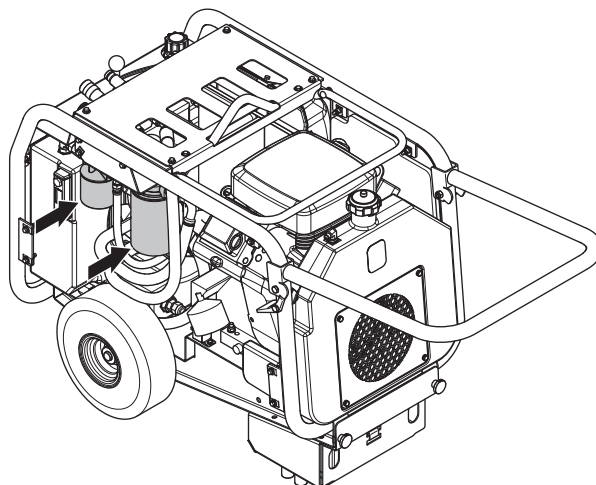
### Remplacement de l'huile hydraulique et du filtre à huile hydraulique

Pour accéder au filtre à huile hydraulique

- 1 Desserrez les 6 vis indiquées ci-dessous.



- 2 Retirez le panneau latéral.



- 3 Fixez les tuyaux sur l'unité hydraulique et raccordez les extrémités des tuyaux ensemble.
- 4 Démarrez le moteur de l'unité hydraulique et placez le sélecteur de débit sur la position 40 l (10 gal).
- 5 Laissez le moteur chauffer pendant 5 minutes avec ce débit.
- 6 Coupez le moteur et vidangez l'huile hydraulique dans un récipient adapté. Les raccords rapides sur les tuyaux doivent de préférence être retirés et l'huile des tuyaux doit être également vidangée.
- 7 Remplacez le filtre à huile hydraulique.
- 8 Remplissez le réservoir avec de l'huile hydraulique.

## Batterie

### Déconnectez la batterie.

- 1 Déconnectez toujours en premier le câble de terre NOIR (-) de la batterie (clé mixte de 13 mm ou 1/2").
- 2 Débranchez ensuite le câble ROUGE (+).

### Charger la batterie.

La seule méthode sûre pour charger la batterie consiste à l'enlever complètement de l'unité hydraulique. Un chargeur standard avec une puissance de charge de 12 V et 2-10 A peut être utilisé. Suivez toutes les instructions concernant le chargeur avant de le connecter à la batterie.

Pour raccorder à nouveau la batterie après la charge, consultez les instructions données à la section Branchement de la batterie.

## Service



**AVERTISSEMENT!** Toutes les réparations doivent être effectuées par des réparateurs agréés. Ceci permet d'éviter que les opérateurs ne soient exposés à des risques importants.

---

# CARACTÉRISTIQUES TECHNIQUES

---

## PP518

### Dimensions

Poids à sec sans tuyaux, kg/lb	127/280
Poids, avec huile mais sans carburant, kg/lb	135/298
Poids, tuyau 1/2" x 7,5 m (25 ft), à sec, kg/lb	8,5/19
Poids, tuyau 1/2" x 7,5 m (25 ft), avec huile, kg/lb	10/22
Longueur avec poignée repliée, mm/po	860/34
Longueur avec poignée dépliée, mm/po	1300/51
Largeur, mm/po	550/22
Hauteur	740/29
Hauteur avec tuyaux/support d'outil dépliés	920/36

### Moteur

	Briggs & Stratton, V-twin Vanguard 18 hp
Puissance nominale moteur, en kW (voir remarque 1)	10,4/14
Volume, huile moteur, l/fl oz	1,4/48
Volume, réservoir de carburant, l/gal	7,9/2,1

### Système hydraulique

Système hydraulique, outils	Soupape à centre ouvert
Système hydraulique, unité électrique	Boucle fermée
Type de pompe	Pompe à piston à cylindrée variable
Écoulement, l/min / gpm	20, 30, 40/5, 8, 10
Réglage de la soupape de décharge, bar/psi	148/2150
Pression hydraulique nominale, bar/psi	110/1595
Filtre principal (grand), micron	25
Filtre de pompe (petit), micron	25
Volume du réservoir d'huile, l/gal	10/2.6
Type d'huile	ISO 46
Refroidissement de l'huile	Refroidissement par air, air comprimé Conforme aux exigences de refroidissement HTMA

### Système électrique

Types de batterie	Taille U1, 12 V, valeur de démarrage à froid 230
Fusible	10 A, similaire à un fusible de voiture, placé près du moteur du démarreur

## VOS DROITS ET OBLIGATIONS EN GARANTIE

L'Environmental Protection Agency des États-Unis et Husqvarna Construction Products sont heureuses de détailler pour vous la garantie du système de contrôle des vapeurs de carburant de votre matériel ou de votre petit moteur non routier de 2011 et des années suivantes. Les nouveaux petits moteurs et le nouveau matériel non routiers doivent être conçus, construits et équipés dans le respect des nouvelles normes strictes antipollution.

Husqvarna Construction Products doit garantir les systèmes de contrôle des vapeurs de carburant de vos petits moteurs ou de votre matériel non routier pendant la période figurant sur la liste ci-dessous à condition que vos petits moteurs ou votre matériel non routiers ne présentent aucun signe d'abus, de négligence ou d'entretien inapproprié.

Votre système de contrôle des vapeurs de carburant peut comprendre des pièces telles qu'un carburateur ou des réservoirs de carburant, des canalisations d'essence, des bouchons de réservoir de carburant, des clapets, des absorbeurs, des filtres, des durites de vapeur, des pinces, des connecteurs et d'autres composants associés. Les pièces couvertes pour 2011 et les années suivantes sont mentionnées ci-dessous. En cas de problème couvert par la garantie, Husqvarna Construction Products répare votre moteur ou votre matériel non routier sans frais, diagnostic, pièces et main-d'œuvre compris.

## GARANTIE DU FABRICANT

Le présent système de contrôle des vapeurs de carburant est garanti 2 ans. Si une pièce liée à l'évaporation du carburant figurant sur la liste des pièces garanties du système de contrôle des vapeurs de carburant de votre matériel est défectueuse, elle est alors réparée ou remplacée par Husqvarna Construction Products.

## CHARGES DE LA GARANTIE DE L'UTILISATEUR

En tant que propriétaire d'un petit moteur non routier, vous êtes responsable de respecter l'entretien obligatoire indiqué dans le manuel de l'utilisateur. Husqvarna Construction Products vous recommande de conserver tous les reçus relatifs à l'entretien de votre petit moteur non routier, mais elle ne peut pas refuser l'application de la garantie pour la seule raison de l'absence de reçus. En tant que propriétaire d'un petit moteur non routier, vous devez savoir que Husqvarna Construction Products peut vous refuser la couverture de la garantie si votre petit moteur non routier ou une pièce du système de contrôle des vapeurs de carburant est défaillante en raison d'un abus, de négligence, d'un entretien inapproprié ou de modifications non approuvées. Vous avez la responsabilité de présenter votre petit moteur non routier au service technique de Husqvarna Construction Products dès qu'un problème se manifeste. Les réparations couvertes par la garantie doivent être effectuées dans un délai raisonnable qui n'excède pas 30 jours. Pour toute question relative à la couverture de votre garantie, communiquez avec le service technique de Husqvarna Construction Products au 1 800 288-5040 ou à l'adresse <http://www.usa.husqvarnacp.com>.

## COUVERTURE GÉNÉRALE DE LA GARANTIE DES VAPEURS DE CARBURANT

Husqvarna Construction Products garantit au dernier acheteur et à chacun des acheteurs suivants que le petit moteur ou l'équipement non routier est : conçu, construit et équipé dans le respect de toutes les réglementations applicables; et exempt de tout défaut matériel ou de fabrication pouvant provoquer la panne d'une pièce garantie identique à tous les égards importants à la pièce décrite dans la demande originale de certification de Husqvarna Construction Products. La période de garantie commence à la date à laquelle la matériel est livré au dernier acheteur ou lorsqu'il est apporté pour la première fois en réparation. La période de garantie est de 2 ans. Sous réserve de certaines conditions et exclusions mentionnées ci-dessous, la garantie des pièces relatives aux vapeurs de carburant couvertes se décline ainsi :

- 1 Toute pièce garantie dont le remplacement n'est pas prévu par l'entretien obligatoire figurant dans les instructions écrites remises est garantie pendant la période de garantie définie ci-dessus. Si la pièce tombe en panne pendant la période de garantie, elle est réparée ou remplacée par Husqvarna Construction Products conformément à l'alinéa 4) ci-dessous. Toute pièce ainsi réparée ou remplacée en vertu de la garantie est garantie pour la période de garantie restante.
- 2 Toute pièce garantie dont l'inspection régulière est prévue par les instructions écrites remises est garantie pendant l'intégralité de la période de garantie. Toute pièce ainsi réparée ou remplacée en vertu de la garantie est garantie pour la période de garantie restante.
- 3 Toute pièce garantie dont le remplacement est prévu par l'entretien obligatoire figurant dans les instructions écrites remises est garantie pendant l'intégralité de la période de garantie précédant la date du premier remplacement prévu de la pièce. Si la pièce tombe en panne avant la date du remplacement prévu, elle est réparée ou remplacée par Husqvarna Construction Products conformément à l'alinéa 4) ci-dessous. Toute pièce ainsi réparée ou remplacée en vertu de la garantie est garantie pendant la période restante avant la date du premier remplacement prévu de la pièce.
- 4 La réparation ou le remplacement d'une pièce garantie en vertu des présentes clauses de la garantie doit être effectuée dans un service technique, sans frais pour le propriétaire.
- 5 Nonobstant les clauses aux présentes, les réparations ou l'entretien en vertu de la garantie sont assurés par tous nos services techniques franchisés pour entretenir les moteurs ou le matériel en question.
- 6 Le propriétaire du moteur ou du matériel ne paye pas la main-d'œuvre nécessaire au diagnostic directement associé à celui d'une pièce garantie défectueuse liée aux vapeurs de carburant, à condition qu'un tel diagnostic soit effectué dans un service technique agréé.
- 7 Husqvarna Construction Products peut être tenue responsable des dommages aux autres composants du moteur ou du matériel causés par une panne garantie d'une pièce garantie.

---

# DÉCLARATION DE GARANTIE POUR LA LUTTE CONTRE LES ÉMISSIONS

---

- 8 Pendant toute la période de garantie définie ci-dessus, Husqvarna Construction Products conserve un stock suffisant de pièces garanties pour satisfaire la demande prévue de telles pièces.
- 9 Toute pièce de remplacement qui peut être utilisée pour procéder à un entretien ou à une réparation de la garantie est fournie sans frais pour le propriétaire.
- 10 Les pièces ajoutées ou modifiées non affranchies par la direction des ressources atmosphériques ne peuvent pas être utilisées. L'utilisation de pièces ajoutées ou modifiées non affranchies par le dernier acheteur ou un acheteur suivant est suffisante pour rejeter une demande de garantie. Husqvarna Construction Products n'a pas la responsabilité de garantir les pannes de pièces garanties provoquées par l'utilisation d'une pièce ajoutée ou modifiée non affranchie.

## PIÈCES GARANTIES

La réparation ou le remplacement d'une pièce garantie par ailleurs admissible à la couverture de garantie peut en être exclue si Husqvarna Construction Products démontre que le moteur ou le matériel a subi des abus, de la négligence ou un entretien inapproprié qui sont la cause directe du besoin de réparation ou de remplacement de la pièce. Malgré cela, tout réglage d'un composant équipé en usine d'un appareil pour limiter les réglages de fonctionnement est tout de même couvert par la garantie. Les pièces suivantes de la garantie des vapeurs de carburant sont couvertes :

- 1 Canalisations d'essence liquide
- 2 Pinces et raccords de canalisation d'essence
- 3 Réservoir d'essence
- 4 Conduits d'évacuation des vapeurs du circuit carburant
- 5 Bouchon du réservoir de carburant
- 6 Clapets du circuit carburant (clapet antiretour en cas de retournement et clapets antibalottement valves s'il y a lieu)
- 7 Réservoir à charbon activé (s'il y a lieu)



# ACLARACION DE LOS SIMBOLOS

## Símbolos en la máquina

¡ATENCIÓN! La máquina, si se utiliza de forma errónea o descuidada, puede ser una herramienta peligrosa que puede causar daños graves e incluso la muerte al usuario y a otras personas.



Lea detenidamente el manual de instrucciones y asegúrese de entender su contenido antes de utilizar la máquina.



Utilice siempre:

- Protectores auriculares homologados



Este producto cumple con la directiva CE vigente.



Las emisiones sonoras en el entorno según la directiva de la Comunidad Europea. Las emisiones de la máquina se indican en el capítulo Datos técnicos y en la etiqueta.



El silenciador está caliente. Puede provocar quemaduras o prender fuego en contacto con otros materiales. Mantenga todas las partes de su cuerpo apartadas de las superficies calientes.



Depósito de aceite hidráulico



Cerradura de encendido

Posición de parada; posición de funcionamiento; posición de arranque



Estrangulador.



Depósito de combustible



¡ATENCIÓN!

El combustible y los vapores de combustible son muy inflamables. Proceda con cuidado en la manipulación del combustible y el aceite. Piense en los riesgos de incendio, explosión e intoxicación respiratoria. No llene el depósito de combustible si cerca hay chispas o llamas.

**Los demás símbolos/etiquetas que aparecen en la máquina corresponden a requisitos de homologación específicos en determinados mercados.**

## Explicación de los niveles de advertencia

Las advertencias se clasifican en tres niveles.

¡ATENCIÓN!



¡ATENCIÓN! Indica un riesgo de daños graves para el usuario o incluso muerte, o bien daños al entorno, si no se siguen las instrucciones del manual.

¡NOTA!



¡NOTA! Indica un riesgo de lesiones para el usuario o daños al entorno si no se siguen las instrucciones del manual.

AVISO

AVISO Indica un riesgo de daños en los materiales o en la máquina si no se siguen las instrucciones del manual.

# INDICE

## Índice

<b>ACLARACION DE LOS SIMBOLOS</b>	
Símbolos en la máquina .....	41
Explicación de los niveles de advertencia .....	41
<b>INDICE</b>	
Índice .....	42
Antes de arrancar, observe lo siguiente: .....	42
<b>PRESENTACIÓN</b>	
Apreciado cliente: .....	43
Diseño y funciones .....	43
<b>¿QUE ES QUE?</b>	
¿Qué es qué en la unidad hidráulica? .....	44
<b>MONTAJE Y AJUSTES</b>	
Generalidades .....	45
Rellenado del aceite del motor .....	45
Rellenado del aceite hidráulico .....	45
Conexión de las mangueras hidráulicas .....	45
Control de la presión de los neumáticos .....	45
Conexión de la batería .....	46
<b>MANIPULACIÓN DEL COMBUSTIBLE O DEL ACEITE</b>	
Generalidades .....	47
Combustible .....	47
Aceite de motor .....	47
Aceite hidráulico .....	47
<b>FUNCIONAMIENTO</b>	
Equipo de protección .....	48
Instrucciones generales de seguridad .....	48
Seguridad en el trabajo .....	49
Funciones de control .....	50
Acelerador automático .....	50
Mangueras y acoplamientos hidráulicos .....	51
<b>ARRANQUE Y PARADA</b>	
Antes del arranque .....	52
Primer uso .....	52
Control antes de arrancar .....	52
Arranque .....	52
Parada .....	53
<b>MANTENIMIENTO</b>	
Generalidades .....	54
Mantenimiento diario .....	54
Motor .....	54
Sistema hidráulico .....	55
Batería .....	56
Servicio .....	56
<b>DATOS TECNICOS</b>	
PP518 .....	57
<b>GARANTIA DEL SISTEMA DE CONTROL DE EMISIONES</b>	
SUS DERECHOS Y OBLIGACIONES DE GARANTIA .	58

## Antes de arrancar, observe lo siguiente:



**¡ATENCIÓN!** El material que se corta a menudo contiene sílice y, al cortarlo en SECO particularmente, desprende polvo. La sílice es un componente básico de la arena, la arcilla para ladrillos, del cuarzo, del granito, y de varios otros minerales y rocas. La exposición a una cantidad excesiva de polvo de sílice puede causar:

Enfermedades respiratorias (que afectan su habilidad para respirar) como bronquitis crónicas, silicosis y fibrosis pulmonares por exposición a la sílice. Estas enfermedades pueden ser mortales.

Irritación y erupción de la piel.

Cáncer, según el Programa Nacional de Toxicología (NTP) y el Centro Internacional de Investigaciones sobre el Cáncer (IARC).

Tome medidas de precaución:

Evite el contacto de la piel con el polvo, vapor y humo, y su inhalación.

Use, y asegúrese de que quienes lo rodean usen, indumentaria de protección del aparato respiratorio como las mascarillas antipolvo diseñadas para filtrar partículas microscópicas. (Consulte las normas de la OSHA: 29 CFR Parte 1910.1200.)

Corte en húmedo, en la medida de lo posible, para minimizar la cantidad de polvo.



## ATTENTION!

Los gases de escape del motor de este producto contienen sustancias químicas conocidas en el Estado de California como causantes de cáncer, defectos congénitos y otros daños reproductivos.

# PRESENTACIÓN

## Apreciado cliente:

Gracias por elegir un producto Husqvarna.

Esperamos que su máquina le proporcione plena satisfacción y le sirva de ayuda por mucho tiempo en adelante. La adquisición de alguno de nuestros productos da acceso a asistencia profesional con reparaciones y servicio. Si la máquina no fue adquirida en un distribuidor oficial, preguntar en la tienda de compra la dirección del taller de servicio más cercano.

Este manual de instrucciones es un documento importante. Procure tenerlo siempre a mano en el lugar de trabajo. Siguiendo sus instrucciones (de uso, servicio, mantenimiento etcétera) puede alargar considerablemente la vida útil de la máquina e incrementar su valor de reventa. Si vende su máquina, entregue el manual de instrucciones al nuevo propietario.

## Más de 300 años de innovación

La fundación de la empresa sueca Husqvarna AB data del año 1689, cuando el Rey Karl XI encargó la construcción de una fábrica para la fabricación de mosquetes. En ese momento se establecieron los cimientos de la experiencia tecnológica en la que se basan muchos de los productos punteros en el mundo en el sector de las armas de caza, bicicletas, motocicletas, electrodomésticos, máquinas de coser y productos para exteriores.

Husqvarna es líder internacional en productos motorizados para exteriores destinados a la silvicultura, el mantenimiento de parques y el cuidado del césped y del jardín, así como equipos de corte y herramientas de diamante para el sector de la construcción y la piedra.

## Responsabilidad del propietario

El propietario / empresario es el responsable de asegurarse de que el usuario tiene los conocimientos necesarios para utilizar la máquina con seguridad. Los supervisores y los usuarios deben haber leído y entendido el manual de instrucciones. Deben tener conocimiento de lo siguiente:

- Las instrucciones de seguridad de la máquina.
- Las aplicaciones y las limitaciones de la máquina.
- El modo de uso y de mantenimiento de la máquina.

La utilización de esta máquina podría estar restringida por regulaciones locales. Infórmese sobre las regulaciones vigentes en el lugar donde trabaja antes de empezar a utilizar la máquina.

## Los derechos que se reserva el fabricante.

Tras la publicación de este manual, Husqvarna podría publicar información adicional para el funcionamiento seguro de este producto. Es responsabilidad del propietario mantenerse informado de los métodos de funcionamiento más seguros.

Husqvarna AB trabaja constantemente para perfeccionar sus productos y se reserva, por lo tanto, el derecho a introducir modificaciones en la construcción y el diseño sin previo aviso.

Para recibir información y atención como cliente, póngase en contacto con nosotros a través de nuestro sitio web: [www.husqvarna.com](http://www.husqvarna.com)

## Diseño y funciones

El alto rendimiento, la fiabilidad, la tecnología innovadora, las soluciones técnicas avanzadas y el respeto medioambiental son los valores que caracterizan a los productos de Husqvarna. El usuario debe leer este manual detenidamente para garantizar un funcionamiento seguro del producto. Póngase en contacto con su concesionario o con Husqvarna si necesita más información.

A continuación se describen algunas de las características únicas de su producto.

## Unidad hidráulica

La unidad hidráulica PP518 está equipada con una bomba hidráulica de flujo ajustable, que produce corriente de manera más eficiente que las bombas dentadas convencionales con desplazamiento fijo disponibles.

La unidad hidráulica PP518 puede utilizarse para el funcionamiento de herramientas hidráulicas con las siguientes especificaciones:

Válvula hidráulica:	«Centro abierto»
Requisitos de flujo	20, 30 o 40 l/min (5, 8 o 10 gal/min)
Presión máx.:	140 bar (2000 psi) mínimo

Estas son algunas de las herramientas hidráulicas de Husqvarna que pueden utilizarse con la PP518 sin necesidad de modificaciones:



**¡NOTA! Si una herramienta requiere un flujo de 20 l/min (5 gal/min) NO puede utilizarse con un ajuste superior, por ejemplo, 30 o 40 l/min (8 o 10 gal/min). Podría provocar daños graves a la herramienta o incluso lesiones personales.**

**Consulte siempre con el fabricante de la herramienta antes de conectarla a la unidad de alimentación.**

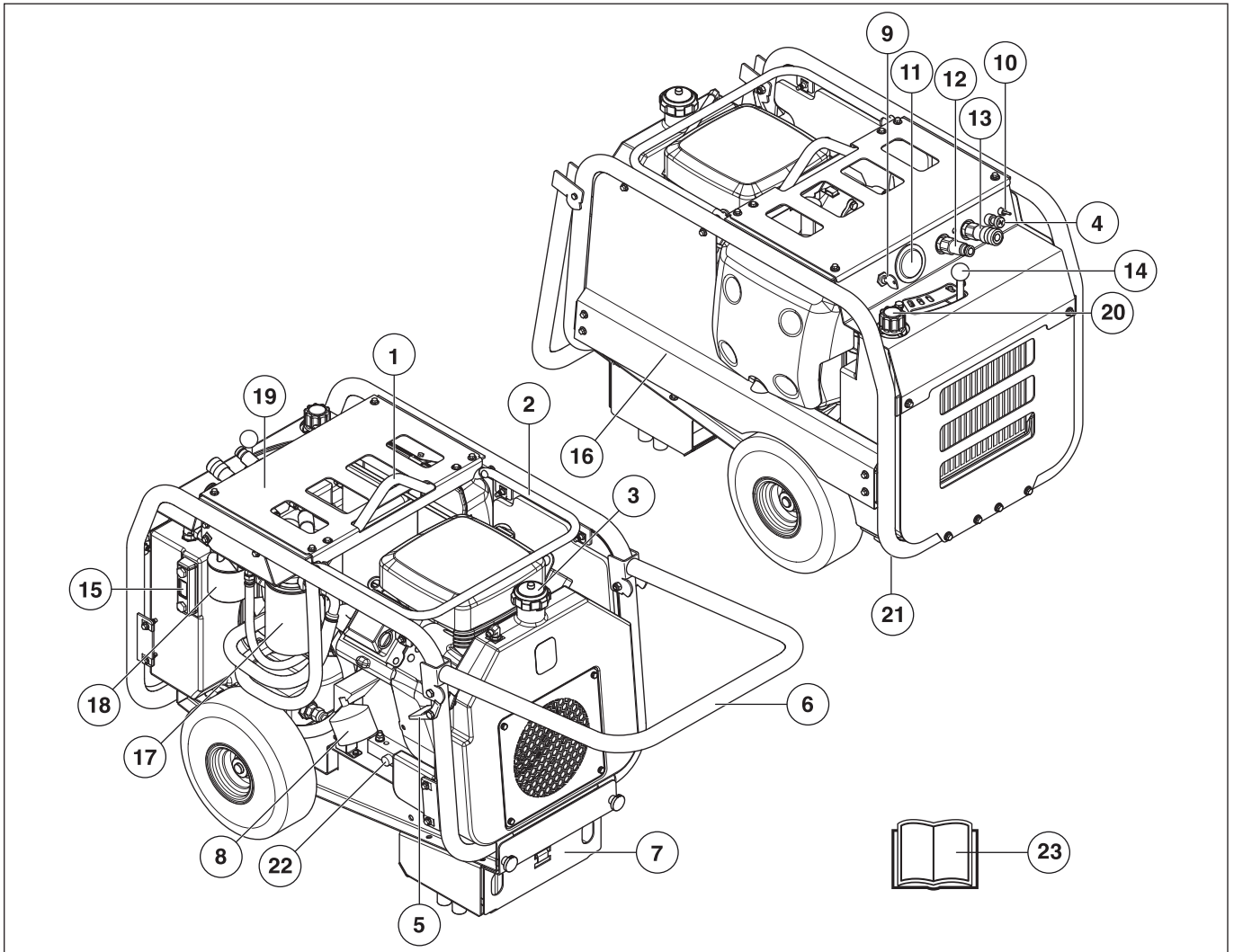
- Cortadoras eléctricas K2500 K3600
- Motor de taladradora DM 406 H
- Cortadora de muros WS 325

## Otras herramientas populares:

- Motosierra hidráulica
- Bomba de agua hidráulica

**AVISO** No se debe utilizar con martillos hidráulicos, rompedores hidráulicos ni equipos con cilindros hidráulicos.

# ¿QUE ES QUE?



## ¿Qué es qué en la unidad hidráulica?

- |                                       |   |
|---------------------------------------|---|
| 1 Cáncamo de elevación                | 13 Conexión de retorno  |
| 2 Soportes para mangueras hidráulicas | 14 Regulación del flujo (aceite)  |
| 3 Tapa del depósito                   | 15 Indicador del nivel de aceite  |
| 4 Estrangulador                       | 16 Fusible eléctrico de 10 A  |
| 5 Bloqueo para el mango               | 17 Filtro de aceite hidráulico grande   |
| 6 Asa de transporte                   | 18 Filtro de aceite hidráulico pequeño  |
| 7 Batería                             | 19 Válvula con sensor de presión ajustable para aceleración máxima o en ralentí |
| 8 Filtro de aceite del motor          | 20 Tapa de aceite hidráulico  |
| 9 Cerradura de encendido              | 21 Tapón de aceite hidráulico   |
| 10 Interruptor acelerador             | 22 Tapón de aceite del motor  |
| 11 Cuentahoras                        | 23 Manual de instrucciones  |
| 12 Conexión de presión                |   |

# MONTAJE Y AJUSTES

## Generalidades

¡NOTA! La unidad hidráulica PP518 debe revisarse antes de utilizarse.

En algunos mercados, la unidad hidráulica puede suministrarse con aceite de motor y aceite hidráulico.

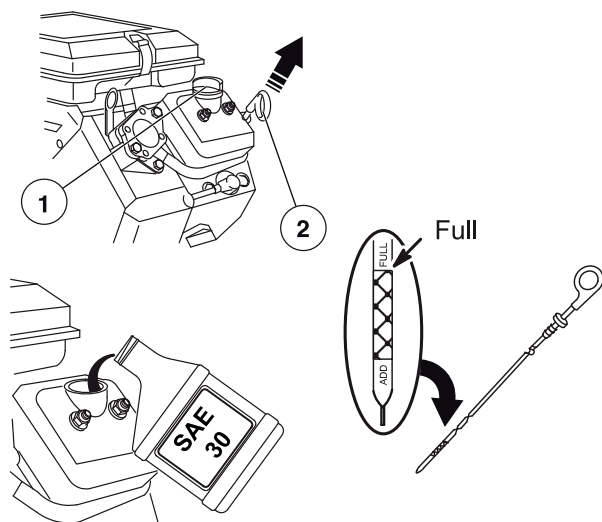
Saque la unidad hidráulica de su embalaje de transporte y colóquela en una superficie plana.



¡IMPORTANTE! Levante siempre la unidad hidráulica tirando de la argolla de izada.

## Rellenado del aceite del motor

Compruebe el nivel de aceite del motor



- 1 Llenado de aceite
- 2 Varilla de nivel

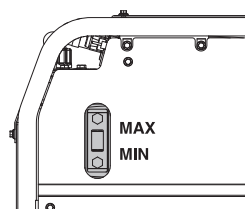
Si no hubiera aceite en la varilla de nivel, el motor debe rellenarse con aceite según las instrucciones recogidas en el apartado «Aceite del motor» o las del manual de instrucciones de Briggs & Stratton.

## Rellenado del aceite hidráulico

Llene el depósito de aceite hidráulico

Utilice solo aceite hidráulico de alta calidad, como ISO 46. Consulte el apartado «Aceite hidráulico» o las secciones correspondientes. El volumen de aceite total necesario para llenar el depósito por primera vez es 10 l (2,6 gal). Debe llenarse el depósito de aceite hasta la mitad del calibrador.

Compruebe el nivel del aceite y rellene si es necesario, tras la primera prueba del motor.



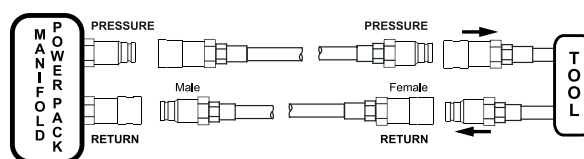
## Conexión de las mangueras hidráulicas

Limpie los acoplamientos de las mangueras hidráulicas con un trapo antes de conectarlos.

Conexión de las mangueras hidráulicas a la unidad hidráulica. Conecte los dos acoplamientos a los extremos libres de las mangueras. Las mangueras ya están listas para llenarse con aceite del depósito de aceite.

¡NOTA! Las mangueras pueden conectarse a la unidad de alimentación con cualquiera de los extremos libres.

Todos los conjuntos de mangueras con acoplamientos conectados como se ve en esta ilustración son compatibles con la unidad de alimentación, las mangueras y las herramientas.



Si las mangueras hidráulicas (7,5 m / 25 ft) están vacías, deberá añadirse 1,8 l (2 cuartos de galón) de aceite aproximadamente en el depósito de aceite, una vez que se haya utilizado la unidad de alimentación por primera vez. Si se utiliza una manguera adicional de 30 m (100 ft) de largo y 5/8 in, deberán añadirse 12 l (3,2 gal).

El nivel de aceite del depósito de aceite debe comprobarse repetidamente siempre que se llene un nuevo conjunto de mangueras.

## Control de la presión de los neumáticos

Compruebe la presión de los neumáticos. Los neumáticos no tienen cámara.

Si la presión de los neumáticos fuera demasiado baja, estos se desinflarán por completo. Ajuste la presión hasta 2 bar (30 psi).

# MONTAJE Y AJUSTES

## Conexión de la batería

La unidad hidráulica se suministra sin cables de batería conectados.

La batería original no requiere mantenimiento. No intente abrir o retirar los tapones o cubiertas. Normalmente no es necesario comprobar ni ajustar el nivel de electrolito.

Sustituya la batería solo por otra similar que no requiera mantenimiento. Consulte la información del apartado «Datos técnicos».



**¡ATENCIÓN! Las baterías de plomo/ácido generan gases explosivos. Evite chispas, llamas y fumar cerca de las baterías.**

**La conexión o desconexión de la batería puede causar chispas o cortocircuitos. No conecte nunca los bornes de la batería a llaves, monedas, tornillos u otros objetos metálicos, ya que podría causar un cortocircuito en la batería.**

**La batería produce un gas explosivo. No deberá haber en absoluto chispas, llamas ni cigarrillos en la proximidad de la batería.**

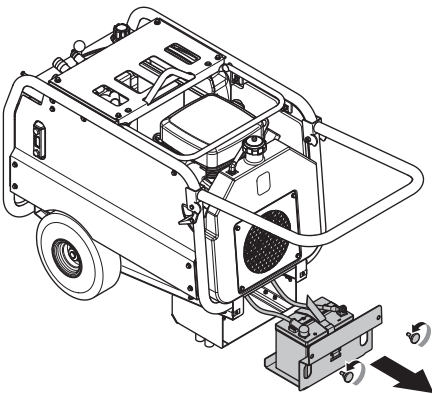
**Las baterías que no se utilicen deben mantenerse alejadas de objetos metálicos como clavos, monedas o joyas.**

**Antes de conectar la batería, quítese las pulseras de metal, los relojes, anillos, etc. Utilice gafas protectoras y guantes protectores o una máscara contra polvo cuando manipule la batería.**

Siga estas instrucciones para conectar la batería.

La batería va colocada en el pie de apoyo de la unidad hidráulica.

- 1 Afloje las dos sujeciones frontales del pie de apoyo. Tire hacia afuera de la batería a través de los dos orificios del canto delantero. Así, se consigue acceso a la batería y los cables.



- 2 Primero, conecte el cable ROJO (+) al borne positivo (+) de la batería. Conecte el cable al borne con un tornillo y una tuerca de 5/16 in (13 mm o llave de 1/2 in).
- 3 Conecte el cable de tierra NEGRO (-) al borne negativo (-) de la batería. Conecte el cable al borne con un tornillo y una tuerca de 5/16 in (13 mm o llave de 1/2 in).

# MANIPULACIÓN DEL COMBUSTIBLE O DEL ACEITE

## Generalidades



¡ATENCIÓN! Siga estas instrucciones para evitar riesgos de lesiones y daños materiales.

Sea cuidadoso al manejar el combustible. Piense en los riesgos de incendio, explosión e intoxicación respiratoria.

No llene el depósito de combustible si cerca hay chispas o llamas. No fume.

Guarde el combustible sólo en recipientes aprobados para ese objeto.

Nunca retire el tapón de combustible ni llene el depósito de combustible cuando el motor esté en marcha. Apague el motor y deje que se enfríe unos minutos antes de repostar.

No llene nunca combustible en recinto cerrado.

Almacene y transporte la máquina y el combustible de manera que eventuales fugas o vapores no puedan entrar en contacto con chispas o llamas, por ejemplo, máquinas eléctricas, motores eléctricos, contactos eléctricos/interruptores de corriente o calderas.

Nunca llene los recipientes en el interior de un vehículo. Al repostar, coloque siempre el recipiente sobre el suelo y lejos del vehículo.

Saque la máquina del vehículo y haga el repostaje en el suelo. Si no es posible, reposte estas máquinas utilizando un recipiente portátil, en lugar de directamente con el surtidor.



¡ATENCIÓN! Deje la boquilla en contacto con el borde del depósito de combustible o la apertura del contenedor hasta que haya terminado de repostar. No utilice boquillas que puedan bloquearse en posición abierta.

Si ha derramado combustible o aceite de motor en su cuerpo o su ropa. Cámbiese de ropa.

No llene demasiado el depósito. Si ha derramado combustible o aceite de motor en la máquina. Limpie todos los derrames y deje evaporar los restos de gasolina. Después de repostar, apriete bien la tapa del depósito de combustible.

¡NOTA! Por consideración al medio ambiente, manipule con cuidado el aceite, el filtro de aceite, el combustible y la batería. Observe la normativa local en materia de reciclaje.

## Combustible

El motor de Briggs & Stratton está diseñado para funcionar con gasolina sin plomo con un octanaje mínimo de 86, según el «número de octano comercial» (M+R), o de 91, mínimo, según el «número de octano de investigación» (RON). Reposte en una zona bien ventilada y con el motor apagado.

También puede utilizar gasolina sin plomo normal con un contenido de etanol no superior al 10% (E10). No use gasolina con metanol.

Si se utiliza combustible con un contenido de etanol superior al 10% (E10), pueden producirse problemas al arrancar o utilizar la unidad. También pueden dañarse las piezas de metal, goma y plástico del sistema de combustible, además de provocar riesgos de incendios.

Tampoco utilice combustible de más de 30 días. El combustible antiguo puede ocasionar problemas de arranque y daños en el sistema de combustible.

**El motor no funciona con gasolina comercializada como E85 (con un 85 % de etanol).**

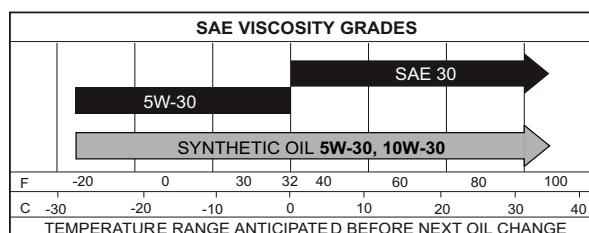
## Aceite de motor

### Aceite recomendado

El motor tiene una capacidad aproximada de 1,4 l (1-1/2 qt / 48 oz) de aceite, contando con el filtro.

- Utilice un detergente de alta calidad o clasificado para el mantenimiento SF, SG, SH, SJ o superior.
- Briggs & Stratton recomienda encarecidamente usar aceites sintéticos.
- No utilizar ningún aditivo específico para aceite.
- Seleccione la viscosidad de acuerdo con la siguiente tabla.

El uso de un aceite sintético no altera los intervalos de cambio de aceite indicados. Consulte el manual de instrucciones adjunto de Briggs y Stratton para conocer toda la información del aceite.



## Aceite hidráulico

Puede utilizarse cualquier aceite hidráulico de alta calidad con un índice de viscosidad ISO 46 (46 cSt).

Pueden utilizarse aceites hidráulicos de alta calidad comercializados como «biodegradables» con un índice de viscosidad similar a ISO 46.

¡NOTA! Los aceites hidráulicos pueden requerir una periodicidad de mantenimiento distinta a las de los aceites minerales tradicionales.

Consulte y siga las recomendaciones del fabricante en relación con la vida útil del aceite.

El sistema hidráulico puede utilizarse con algunos aceites «de calidad alimentaria» en ciertas aplicaciones. Póngase en contacto con Husqvarna Construction Products para obtener más información.

# FUNCIONAMIENTO

## Equipo de protección

### Generalidades

No use nunca una máquina si no tiene posibilidad de pedir auxilio si se produce un accidente.

### Equipo de protección personal

Para trabajar con la máquina debe utilizarse un equipo de protección personal homologado. El equipo de protección personal no elimina el riesgo de lesiones, pero reduce su efecto en caso de accidente. Pida a su distribuidor que le asesore en la elección del equipo.



**¡ATENCIÓN!** El uso de productos que cortan, pulen, taladran, alisan o forman materiales puede generar polvo y vapores que pueden contener sustancias químicas dañinas. Averiguar la composición del material con que se trabaja y usar una máscara respiratoria adecuada.



**¡ATENCIÓN!** La exposición prolongada al ruido puede causar daños crónicos en el oído, Por consiguiente, use siempre protectores auriculares homologados. Cuando use protección auditiva preste siempre atención a las señales o llamados de advertencia. Sáquese siempre la protección auditiva inmediatamente después de parar el motor.



**¡ATENCIÓN!** Existe siempre riesgo de accidentes por apriete al trabajar con aparatos con piezas móviles. Usar guantes protectores para evitar lesiones.

Utilice siempre:

- Casco protector
- Protectores auriculares
- Gafas protectoras o visor
- Máscara respiratoria
- Guantes resistentes de agarre seguro.
- Prendas de vestir ceñidas, resistentes y cómodas que permitan una libertad de movimientos total.
- Botas con puntera de acero y suela antideslizante.

Tener en cuenta que las ropas, el pelo largo y las joyas pueden atascarse en piezas móviles.

### Otros equipos de protección



**¡ATENCIÓN!** Mientras trabaja con la máquina, pueden producirse chispas que podrían ocasionar un incendio. Tenga siempre a mano herramientas para la extinción de incendios.

- Herramientas para la extinción de incendios
- Tenga siempre a mano el equipo de primeros auxilios.

## Instrucciones generales de seguridad



**¡ATENCIÓN!** Lea todas las advertencias e instrucciones de seguridad. No atender a estas advertencias e instrucciones puede provocar descargas eléctricas, incendios y lesiones graves.

Este apartado trata las normas de seguridad básicas para trabajar con el dispositivo. Esta información no sustituye en ningún caso los conocimientos y la experiencia de un profesional.

- Lea detenidamente el manual de instrucciones y asegúrese de entender su contenido antes de utilizar la máquina.
- Debe tenerse en cuenta que el operador es responsable de los accidentes o riesgos que ocurran a otras personas o a su propiedad.
- Todos los operadores deben ser formados en el empleo de la máquina. El propietario es responsable de la formación de los operadores.
- La máquina debe mantenerse limpia. Los letreros y las pegatinas deben ser legibles en su totalidad.



**¡ATENCIÓN!** La máquina, si se utiliza de forma errónea o descuidada, puede ser una herramienta peligrosa que puede causar daños graves e incluso la muerte al usuario y a otras personas.

No permita bajo ningún concepto el empleo o mantenimiento de la máquina por los niños u otras personas no instruidas en el manejo de la misma. Nunca deje que terceros utilicen la máquina sin asegurarse primero de que hayan entendido el contenido de este manual de instrucciones.

Nunca utilice la máquina si está cansado, si ha ingerido alcohol o si toma medicamentos que puedan afectar la vista, su capacidad de discernimiento o el control del cuerpo.



**¡ATENCIÓN!** Las modificaciones y/o el uso de accesorios no autorizados comportan riesgo de daños personales graves y peligro de muerte para el usuario y otras personas.

No modifique nunca esta máquina de forma que se desvíe de la versión original, y no la utilice si parece haber sido modificada por otras personas.

No utilice nunca una máquina defectuosa. Lleve a cabo las comprobaciones de seguridad y siga las instrucciones de mantenimiento y servicio de este manual. Algunas medidas de mantenimiento y servicio deben ser efectuadas por especialistas formados y cualificados. Consulte las instrucciones del apartado Mantenimiento.

Utilizar siempre recambios originales.



# FUNCIONAMIENTO

## Emplee siempre el sentido común

Es imposible abarcar todas las situaciones imaginables que se pueden producir al utilizar una taladradora. Proceder siempre con cuidado y emplear el sentido común. Si se encuentra en alguna situación que le haga sentirse inseguro, deténgase y consulte con un experto. Consulte a su distribuidor, al taller de servicio técnico o a un usuario experimentado. No emplee la máquina en aplicaciones para las que no se considere plenamente cualificado.

## Seguridad en el trabajo

### Seguridad en el área de trabajo

- **Mantenga el área de trabajo limpia y bien iluminada.** Las zonas abarrotadas de cosas u oscuras favorecen los accidentes.
- Averigüe y marque siempre la ubicación del trazado de las tuberías de gas. El corte cerca de las tuberías de gas siempre es peligroso. Procure que no se generen chispas al cortar, debido al riesgo de explosión. Trabaje concentrado en su tarea. La negligencia comporta riesgo de daños personales graves y peligro de muerte.
- No utilice la máquina en entornos donde exista riesgo de explosión.
- Asegúrese de que no haya tuberías o cables eléctricos en la zona de trabajo o en la pieza en la que vaya a trabajar.
- Compruebe que los cables eléctricos que haya en el área de trabajo no tengan tensión.
- Compruebe el entorno para asegurarse de que nada pueda influir en su control de la máquina.
- No trabaje en condiciones atmosféricas desfavorables como niebla, lluvia intensa, tempestad, frío intenso, etc. Trabajar con mal tiempo es cansador y puede crear condiciones peligrosas, por ejemplo suelo resbaladizo.
- No emplee la máquina en un entorno mojado o húmedo, cerca de agua, en la lluvia o en la nieve.
- Antes de comenzar a trabajar con la máquina, controle siempre que el lugar esté libre y que los pies estén bien afirmados al terreno.



**¡ATENCIÓN! No lave la máquina con agua, ya que puede penetrar en el sistema eléctrico o en el motor y causar daños en la máquina o un cortocircuito.**

## Seguridad personal

- Nunca utilice la máquina si está cansado, si ha ingerido alcohol o si toma medicamentos que puedan afectarle la vista, su capacidad de discernimiento o el control del cuerpo.
- Evite el encendido accidental de la herramienta. Asegúrese de que el interruptor de encendido se encuentre en la posición de parada y que el control de flujo esté en la posición 0.
- No abandonar nunca la máquina sin vigilar, con el motor en marcha.
- Un operador nunca debe trabajar solo; siempre debe haber otra(s) persona(s) cerca. Así, además de tener ayuda para montar la máquina, también puede recibirse asistencia en caso de accidente.
- Las personas y los animales pueden distraer y hacer perder el control de la máquina. Por consiguiente, el operador debe estar siempre concentrado en su trabajo.

## Uso y cuidado

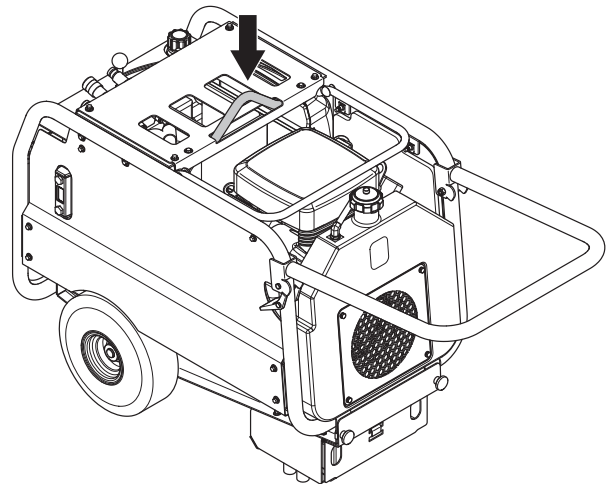
- La máquina está destinada al uso por operadores experimentados, en aplicaciones industriales.
- Los trabajos de control y/o mantenimiento deben efectuarse con el motor desconectado.
- No sobrecargar la máquina. La sobrecarga puede dañar la máquina.
- Parar siempre la máquina antes de trasladarla.
- Proceda con cuidado en las elevaciones. Las piezas son pesadas, por lo que hay riesgo de daños por apriete y daños personales de otro tipo.
- No exponga la máquina a temperaturas que excedan los 45 °C ni a la luz directa del sol.
- Compruebe que todas las juntas, conexiones y cables están intactos y limpios.
- Mantener todas las piezas en perfecto estado y comprobar que todos los elementos de fijación estén bien apretados.

## Transporte

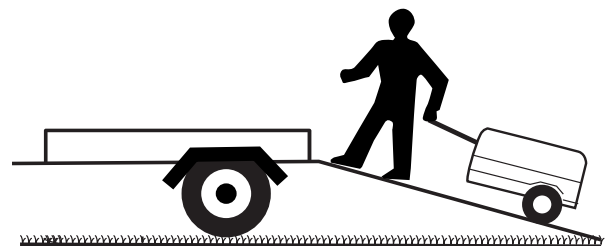
La forma más segura de desplazar la unidad hidráulica desde un camión a una zona de trabajo es levantarla por la argolla de izada. No enganche ningún dispositivo de elevación a ninguna parte de la máquina. El resto de componentes no han sido diseñados para soportar todo el peso de la unidad hidráulica.



**¡IMPORTANTE! Levante siempre la unidad hidráulica tirando de la argolla de izada.**

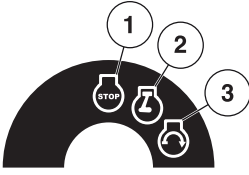


Asegúrese de que no haya nadie bajo la unidad hidráulica cuando tenga que moverla a mano para sacarla o meterla en un camión o bajar o subir una cuesta.



## Funciones de control

### Cerradura de encendido



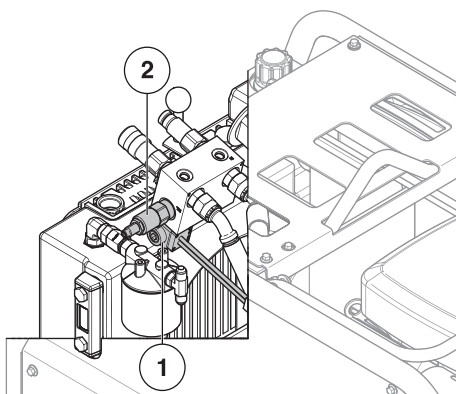
- 1 Posición de parada: no llega corriente a ningún dispositivo eléctrico.
- 2 Posición de encendido de la unidad hidráulica. Adviértase que el temporizador registra la hora independientemente de si el motor está funcionando o no. Si la llave está a la izquierda en la posición de funcionamiento, la batería se descarga con mayor rapidez.
- 3 Posición de arranque: el motor se enciende.

### Regulación del flujo (aceite)

- Ajuste el flujo de aceite pulsando el interruptor del flujo y llevándolo a la izquierda hasta el valor deseado. Consulte el manual de instrucciones de la herramienta en cuestión para conocer las exigencias en términos de flujo. No utilice nunca un ajuste de flujo de aceite superior al valor recomendado.
- Una vez acabado el trabajo, debe volver a colocarse el interruptor del flujo en la posición 0 antes de parar el motor.
- El motor debe arrancarse siempre con el interruptor del flujo en la posición 0. De este modo, el motor de arranque eléctrico puede accionar el motor.

La unidad hidráulica puede producir un flujo de aceite de 40 litros (10 gal) por minuto. El ajuste de fábrica de la válvula de descarga de presión corresponde una presión de «apertura» de 148 bar (2150 psi).

### Acelerador automático



- 1 Válvula de exceso de flujo (no ajustar)
- 2 Válvula con sensor de presión ajustable para aceleración máxima o en ralentí

La función de aceleración automática se activa mediante un sensor de presión ajustable para ralentí y aceleración máxima, desde el bloque hidráulico.

Ajustar el sensor de presión para ralentí o aceleración máxima con la aceleración automática no influye en el ajuste de la válvula de exceso de flujo (= presión máxima del sistema). Solo detecta la presión del sistema e indica al motor que funcione al ralentí o a aceleración máxima. La válvula de exceso de flujo no debe ajustarse.

Una vez conectada la herramienta, la presión de aceite aumenta rápidamente hasta 50 bar (700 psi). Normalmente, ello hace que la aceleración automática aumente al máximo. Se recomienda que el motor alcance la velocidad máxima al conectar la herramienta.

En ciertas aplicaciones, el acelerador del sistema hidráulico puede ajustarse a un nivel muy bajo. Ello permite que el motor siga funcionando al ralentí aun cuando esté conectada la herramienta y se requiera plena potencia.

La circulación de aceite por las mangueras crea una presión baja, lo que se conoce como contrapresión en la válvula de sensor de presión ajustable.

La contrapresión del sistema puede variar por diversas razones, p. ej.:

- Aceite hidráulico frío
- La longitud de las mangueras: una manguera más larga genera más contrapresión.
- La válvula de la herramienta hidráulica puede restringir el flujo considerablemente.

Cuando el interruptor del flujo se ajusta en 40 litros (10 gal), dicho volumen de aceite circula por las mangueras, hasta la herramienta y de vuelta al depósito.

### Ajuste

En la PP518, la presión a la que la válvula aceleradora reacciona se ajusta para lograr la función requerida de una herramienta y condición específicas.

- 1 Conecte las mangueras y herramientas que se vayan a utilizar.
- 2 Ajuste el interruptor del acelerador automático en la posición 1.
- 3 Ajuste el interruptor del flujo en el valor requerido por la herramienta.

**¡NOTA!** Si el aceite está frío, la contrapresión del sistema activará la aceleración máxima.

- 4 Deje que el aceite hidráulico se caliente durante un par de minutos. Entonces, estará listo para trabajar. El aceite hidráulico alcanza una temperatura de funcionamiento estable en unos 5-10 minutos.
- 5 Si la máquina lleva funcionando 10 minutos y la función de aceleración automática funciona correctamente, puede ajustarse el valor límite de presión entre ralentí y aceleración máxima.
- 6 Ajuste la presión del sensor de presión del acelerador con una llave hexagonal de 8 mm (5/16 in).

Si el motor de la unidad hidráulica sigue funcionando a aceleración máxima sin activar la herramienta y el aceite hidráulico está caliente. Gire el tornillo de ajuste hacia la derecha 1/8 de vuelta cada vez, hasta conseguir el funcionamiento deseado.

Si el motor de la unidad hidráulica sigue a ralentí cuando se active la herramienta y funciona bien, aunque el aceite esté frío. Gire los tornillos de ajuste hacia la izquierda 1/8 de vuelta cada vez, hasta lograr el funcionamiento deseado.

## Mangueras y acoplamientos hidráulicos

La PP518 va equipada con una manguera de 7,5 m (25 ft) de longitud y un diámetro interno de 12,7 mm (1/2 in). Puede ajustarse UNA manguera adicional de media pulgada de 10 m (33 ft) de longitud (18-20 m / 60-65 ft en total). Si necesita una manguera más larga para su aplicación, le recomendamos:

Extensión máxima de la manguera: longitud total de 40 m (130 ft).

- Utilice la manguera de 7,5 m (25 ft) de longitud suministrada con la unidad de alimentación.
- Conecte dos mangueras de extensión de 16 m (53 ft) con un diámetro de al menos 16 mm (5/8 in).

Puede utilizarse también una manguera de 32 m (100 ft) de longitud, aunque es incómoda de manejar.

Recomendamos encarecidamente utilizar acoplamientos hidráulicos compatibles HTMA de «cara plana».



**¡IMPORTANTE! Las mangueras y acoplamientos hidráulicos deben tener una capacidad de presión nominal de 140 bar (2000 psi) y un factor de seguridad de 4:1.**

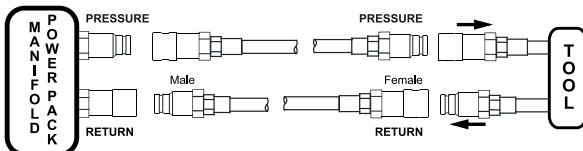
**¡NOTA!** La dirección del flujo a través del sistema debe ir siempre del acoplamiento macho al hembra. Esto implica que todas las mangueras de extensión deben unirse de la misma forma. Si hay un acoplamiento macho al final de una manguera, siempre debe haber un acoplamiento hembra en el extremo contrario. No utilice nunca dos acoplamientos del mismo tipo en una sola manguera.



**¡IMPORTANTE! El aceite hidráulico y, por tanto, las mangueras y los acoplamientos hidráulicos pueden ponerse demasiado calientes durante el funcionamiento normal.**

Un acoplamiento hidráulico a una temperatura de 50 °C (120 °F) puede estar CALIENTE al tacto. Es normal que la temperatura del aceite de la unidad hidráulica alcance los 70 °C (158 °F) si se usa en un día de mucho calor, con temperaturas de más de 40 °C (104 °F).

Como referencia, téngase en cuenta que el motor de un coche puede funcionar normalmente a 90 °C (195 °F).



# ARRANQUE Y PARADA

## Antes del arranque



**¡ATENCIÓN!** Lea detenidamente el manual de instrucciones y asegúrese de entender su contenido antes de utilizar la máquina.

Utilice el equipo de protección personal. Vea las instrucciones bajo el título "Equipo de protección personal".

Asegúrese de que no haya personas desautorizadas en la zona de trabajo, de lo contrario, se corre el riesgo de ocasionar graves daños personales.

Controle que la máquina esté correctamente montada y que no esté dañada.

Consulte las instrucciones del apartado «Montaje y ajustes».

- Realice el mantenimiento diario. Vea las instrucciones del capítulo "Mantenimiento".



**¡ATENCIÓN!** El motor emite monóxido de carbono, un gas incoloro y tóxico. No utilice la máquina en espacios cerrados.

## Primer uso

Si la unidad de alimentación se suministra con aceite hidráulico en el depósito y las mangueras, deben comprobarse cuidadosamente los niveles de aceite antes de usar la unidad por primera vez.

Un conjunto nuevo de mangueras hidráulicas vacías requiere aproximadamente 1,8 l (2 qt) de aceite.

Cuando se arranque la unidad de alimentación por primera vez y se haya ajustado el interruptor del flujo al valor deseado, las mangueras hidráulicas se llenarán de aceite. Antes de usar la máquina, el nivel del depósito de aceite hidráulico debe comprobarse.

Si fuera necesario, detenga el motor y llénelo de aceite hidráulico.

## Control antes de arrancar

Antes de arrancar la unidad hidráulica, compruebe que:

- La batería está cargada y colocada correctamente.
- Los neumáticos están correctamente hinchados.
- El nivel de aceite del motor es correcto.
- El depósito de combustible está lleno de gasolina sin plomo, reciente y limpia.
- El depósito de aceite hidráulico está lleno hasta el nivel adecuado.
- Usted debe estar familiarizado con la ubicación y función de los controles. Pruébelos antes de arrancar el motor.
- Debe haber conectado las mangueras hidráulicas a la unidad hidráulica y haber conectado los extremos contrarios a una herramienta hidráulica o entre sí.
- Ajuste siempre el interruptor del flujo en la posición 0 antes de arrancar.



**¡IMPORTANTE!** Compruebe las diferentes piezas y componentes de la unidad hidráulica por si hubiera daños antes de cada uso. Preste especial atención a las fugas de gasolina o aceite.

## Arranque

Arranque siempre el motor con el selector de flujo en 0 y el acelerador en la posición 1.

El interruptor de la palanca del acelerador le permite seleccionar uno o dos modos de funcionamiento del acelerador.

El interruptor del acelerador automático puede ajustarse en 1 o 0.

- El interruptor del acelerador automático en la posición 0.

Cuando se trabaje con la palanca en la posición 0, el motor funcionará a la máxima velocidad, de 2600 rpm a 2700 rpm (con carga) y aproximadamente a 2800 rpm (sin carga).

- El interruptor del acelerador automático en la posición 1.

Una vez arrancado, la velocidad en ralentí del motor es de unas 1900 rpm.

Cuando se acople una herramienta, un interruptor de presión en la unidad de alimentación aumenta la velocidad del motor al máximo.

Cuando se desengancha la herramienta, la velocidad del motor se reduce a 1900 rpm.

La sensibilidad del sistema de control del acelerador automático puede ajustarse para compensar diferentes situaciones, como un aumento de la contrapresión al conectar extensiones de manguera, bajas temperaturas de funcionamiento, diferencias en la viscosidad del aceite, etc.

Consulte las instrucciones del apartado «Ajustes».

- 1 **Con el motor frío:** Saque el mando del estrangulador al máximo.
- 2 Gire la llave de encendido a la posición de arranque.
- 3 Una vez arrancado el motor, suelte inmediatamente la llave hasta que quede en la posición de funcionamiento. Empuje el estrangulador si lo ha utilizado para arrancar.
- 4 Deje que el motor se caliente un par de minutos. Coloque el interruptor de flujo en el ajuste deseado. Ello permite que el aceite hidráulico fluya desde la bomba a la herramienta por las mangueras.

En clima frío, recomendamos dejar que la unidad hidráulica bombee aceite por las mangueras y la herramienta hasta que el aceite alcance una temperatura mínima de 10 °C (50 °F) antes de usar la herramienta. Así asegurará el correcto funcionamiento del interruptor del acelerador automático.

Consulte las instrucciones del apartado «Ajustes».

# ARRANQUE Y PARADA

## Arranque del motor con batería poco cargada

Si la batería está descargada y no puede arrancar el motor, debería recargarla o sustituirla.

Procedimiento para el uso de cables para arranque de emergencia:



**¡IMPORTANTE!** Su unidad hidráulica está equipada con un sistema de conexión a tierra negativa de 12 V. El otro vehículo debe estar igualmente equipado con un sistema con toma de tierra negativa de 12 V. No utilice la batería de su unidad para arrancar otros vehículos.

## Conexión de cables de arranque auxiliar

- 1 Conecte cada extremo del cable rojo en el polo POSITIVO (+) de cada batería, procediendo con cuidado para no cortocircuitar ningún extremo con el chasis.
- 2 Conecte un extremo del cable negro en el polo NEGATIVO (-) de la batería plenamente cargada.
- 3 Conecte el otro extremo del cable negro en una TIERRA DE CHASIS buena, apartada del depósito de combustible y de la batería.

## Quite los cables en orden inverso.

- 1 El cable NEGRO se suelta primero del chasis y, después, de la batería plenamente cargada.
- 2 El cable ROJO se suelta en último lugar de ambas baterías.

## Parada

Gire la llave de encendido hasta la posición de parada para detener la unidad hidráulica.

# MANTENIMIENTO

## Generalidades

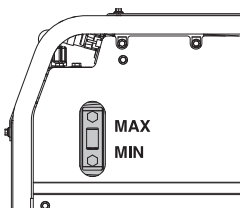


**¡ATENCIÓN! El usuario sólo puede efectuar los trabajos de mantenimiento y servicio descritos en este manual. Los trabajos de mayor envergadura debe efectuarlos un taller de servicio oficial.**

La vida útil de la máquina puede acortarse y el riesgo de accidentes puede aumentar si el mantenimiento de la máquina no se hace de forma adecuada y si los trabajos de servicio y/o reparación no se efectúan de forma profesional. Para más información, consulte con el taller de servicio oficial más cercano.

## Mantenimiento diario

- Compruebe que el equipo de seguridad de la máquina está intacto. Consulte las instrucciones del apartado «Equipo de seguridad de la máquina».
- Limpiar siempre todo el equipo después de cada turno de trabajo. Utilice un cepillo manual extrafuerte o una brocha grande.
- Asegúrese de que los conectores y los pines están limpios. Límpielos con un trapo o un cepillo.
- Compruebe que el nivel de aceite hidráulico en el calibrador esté por encima del límite inferior. Añada aceite si fuera necesario.



- Compruebe que las mangueras hidráulicas no tengan fugas ni estén dobladas y que los acoplamientos no tengan fugas.
- Compruebe que no haya residuos ni suciedad en el refrigerador de aceite. Limpiar con aire comprimido o una manguera de jardín. No utilice un equipo de limpieza de alta presión para limpiar el refrigerador.

**AVISO** No utilice un equipo de limpieza a alta presión para limpiar la máquina. El chorro de alta presión puede dañar las juntas y hacer que se introduzca agua y suciedad en el interior de la máquina, provocando daños graves.

## Motor

Debe comprobar siempre el nivel de aceite antes de arrancar el motor. El nivel de aceite debe estar siempre en la marca de llenado. No debe sobrepasarse dicha marca. Compruebe el nivel diariamente o tras ocho horas de funcionamiento.

**¡NOTA!** El motor tiene una capacidad aproximada de 1,4 l (1-1/2 qt / 48 oz) de aceite, contando con el filtro.

La unidad hidráulica debe estar siempre en una superficie plana para comprobar y cambiar el aceite.

Cambie el aceite después de las primeras 5-8 horas de funcionamiento. Posteriormente, el cambio se hace cada 50 horas de funcionamiento.

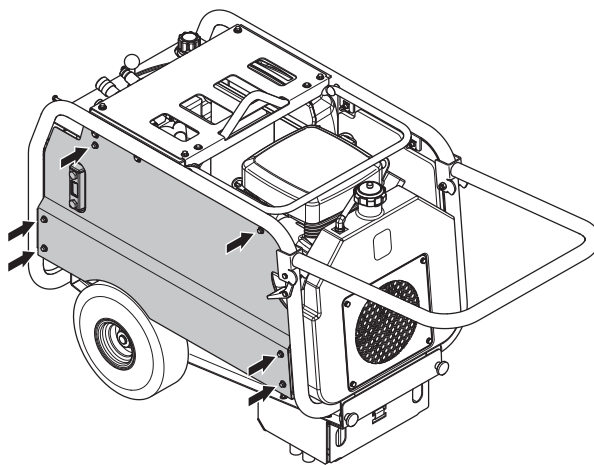
El filtro de aceite debe cambiarse cada 100 horas de funcionamiento.

Consulte las instrucciones de los apartados «Aceite del motor» y «Aceite recomendado», así como el manual de instrucciones de Briggs & Stratton.

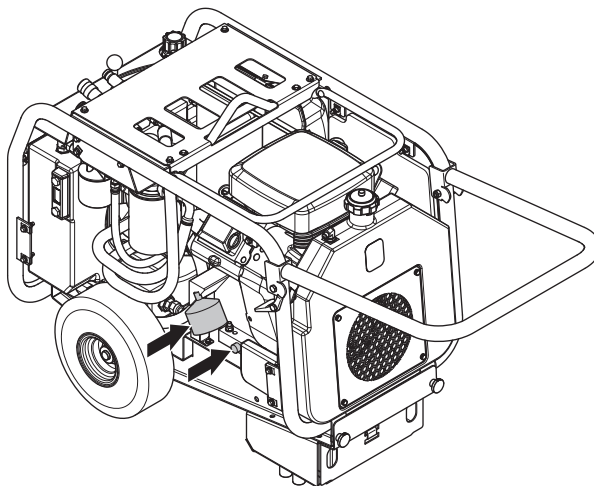
Recomendamos encarecidamente el uso de piezas de repuesto originales de Briggs & Stratton.

## Cambio del aceite del motor

- 1 Con el motor apagado pero aun caliente.
- 2 Afloje los seis tornillos como se indica a continuación.



- 3 Retire el panel lateral para acceder al tapón del aceite y al filtro de aceite.

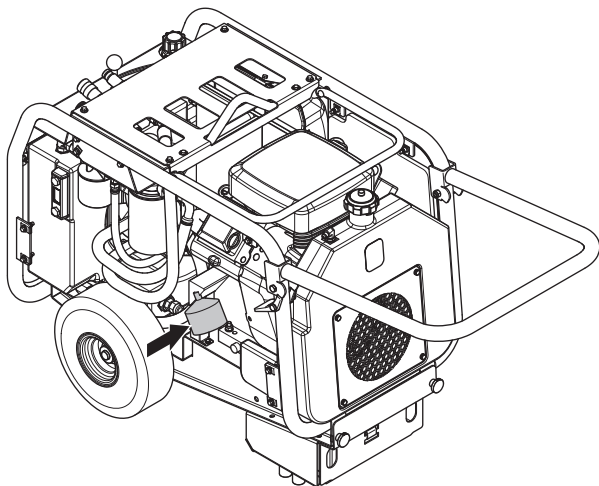


- 4 Vacíe el depósito en un contenedor adecuado. Para más información, consulte el manual de instrucciones de Briggs & Stratton.
- 5 Llene el depósito primero con un litro (un cuarto) de cualquiera de los aceites recomendados.
- 6 Arranque el motor y déjelo en ralentí durante 30 segundos aproximadamente.
- 7 Pare el motor. Compruebe el nivel de aceite de nuevo y añada más si fuera necesario. Normalmente, de 0,3 a 0,5 litros (12-15 oz).

# MANTENIMIENTO

## Cambio del filtro de aceite

Para acceder al filtro de aceite del motor, siga las instrucciones del apartado «Cambio del aceite del motor», en la sección 1-4.



- 1 Saque el filtro de aceite del motor.
- 2 Antes de colocar un filtro nuevo, debe engrasar la junta con aceite nuevo y limpio.
- 3 Enrosque el filtro a mano hasta que la junta toque el adaptador del filtro de aceite.
- 4 Gírelo de nuevo entre 1/2 y 3/4 de vuelta.

## Presión de aceite del motor

- Si la presión de aceite del motor cae entre 0,1 y 0,2 kg/cm (1-4 psi), un interruptor apaga el motor.
- Si el nivel de aceite del motor está por debajo de la marca de la varilla de nivel, añada aceite del motor hasta la marca de llenado. Intente arrancar de nuevo el motor.
- Si el problema persiste, póngase en contacto con un taller de servicio oficial de Briggs & Stratton.

## Filtro de aire

Si el motor tiene poca potencia o funciona irregularmente, puede deberse a que el filtro de aire está obturado. Inspeccione y cambie el filtro de aire con cada cambio de aceite o cada 50 horas de funcionamiento.

## Silenciador

Si el silenciador está oxidado o presenta cualquier otro daño, deberá reemplazarlo, ya que puede provocar un incendio o causar lesiones.

## Filtro de combustible

El filtro de combustible debe cambiarse cuando se atasque y el flujo de combustible al carburador esté bloqueado.

Recomendamos cambiar el filtro de combustible cada 250 horas de funcionamiento o una vez cada temporada.

## Más información sobre el motor

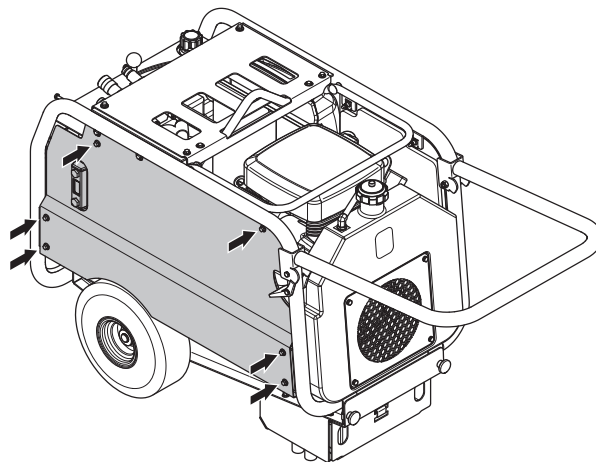
Consulte el manual de instrucciones adjunto de Briggs & Stratton para más información sobre el mantenimiento del motor. El manual contiene también información específica sobre las especificaciones, piezas de repuesto, garantía del motor, conformidad en materia de emisiones, etc.

## Sistema hidráulico

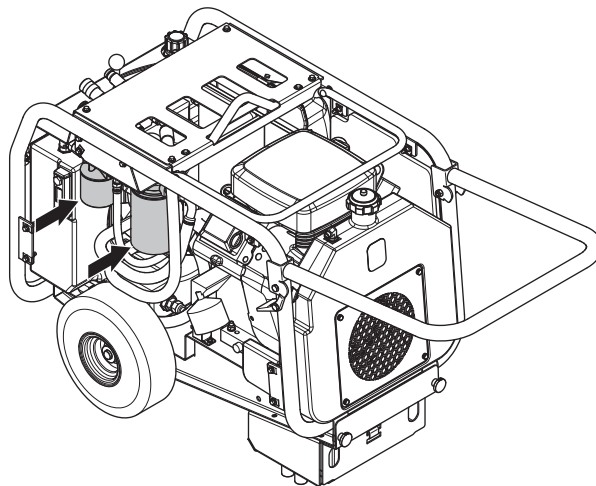
### Cambio del aceite hidráulico y del filtro de aceite hidráulico

Acceso al filtro de aceite hidráulico

- 1 Afloje los seis tornillos como se indica a continuación.



- 2 Retire el panel lateral.



- 3 Conecte las mangueras a la unidad hidráulica y conecte los extremos de las mangueras entre sí.
- 4 Arranque el motor de la unidad hidráulica y ajuste el interruptor de flujo en la posición 40 l (10 gal).
- 5 Deje que el motor se caliente durante cinco minutos con dicho ajuste.
- 6 Apague el motor y vacíe el aceite hidráulico en un contenedor adecuado. Se recomienda quitar los acoplamientos rápidos de las mangueras y vaciar el aceite de las mangueras.
- 7 Cambie el filtro de aceite hidráulico.
- 8 Llene el depósito con aceite hidráulico.

## Batería

### Desconecte la batería.

- 1 Desconecte siempre primero el cable a tierra NEGRO (-) de la batería con una llave de 13 mm (1/2 in).
- 2 A continuación, desconecte el cable ROJO (+).

### Carga de la batería.

Para cargar de forma segura la batería, debe sacarla por completo de la unidad hidráulica. Puede utilizar un cargador estándar con una potencia de 12 v y 2-10 A. Siga escrupulosamente las instrucciones del cargador antes de conectarlo a la batería.

Para conectar de nuevo la batería una vez cargada, consulte las instrucciones del apartado «Conexión de la batería».

## Servicio



**¡ATENCIÓN!** Las reparaciones de todo tipo deben ser efectuadas por técnicos autorizados, únicamente. De este modo se evita someter a los operadores a grandes riesgos.



---

# DATOS TECNICOS

---

## PP518

### Dimensiones

Peso en seco sin mangueras (kg/lb)	127/280
Peso, con aceite pero sin combustible (kg/lb)	135/298
Peso, manguera 1/2 in x 7,5 m (25 ft), en seco, kg/lb	8,5/19
Peso, 1/2 in x 7,5 m (25 ft), con aceite, kg/lb	10/22
Longitud con el mango plegado (mm/in)	860/34
Longitud con el mango extendido (mm/in)	1300/51
Anchura (mm/in)	550/22
Altura	740/29
Altura con mango de manguera/herramienta extendido	920/36

### Motor

Potencia nominal del motor, kW (véase la nota 1)	10,4/14
Volumen, aceite del motor (l/fl oz)	1,4/48
Volumen, depósito de combustible (l/gal)	7,9/2,1

### Sistema hidráulico

Sistema hidráulico, herramientas	Válvula con centro abierto
Sistema hidráulico, unidad de alimentación	Bucle cerrado
Tipo de bomba	Bomba de pistón con carga de desplazamiento variable
Salida (l/min / gpm)	20, 30, 40/5, 8, 10
Ajuste de la válvula de exceso de flujo (bar/psi)	148/2150
Presión hidráulica nominal (bar/psi)	110/1595
Filtro principal (grande) (micras)	25
Filtro de la bomba (pequeño) (micras)	25
Volumen del depósito de aceite (l/gal)	10/2.6
Tipo de aceite	ISO 46
Refrigeración del aceite	Refrigeración por aire comprimido Cumple con las normas de refrigeración HTMA

### Elektrische Anlage

Tipos de batería	Tamaño U1, 12 V, valor de arranque en frío 230
Fusible	10 A, similar a un fusible de coche, colocado junto al motor de arranque

## SUS DERECHOS Y OBLIGACIONES DE GARANTIA

La Agencia de Protección Ambiental (EPA) y Husqvarna Construction Products le explican la garantía del sistema de control de emanaciones (EECS) para su equipo o motor de pequeña cilindrada para todo terreno (SORE) modelo 2011 o posterior. Los motores de pequeña cilindrada para todo terreno o equipos nuevos deben estar diseñados, construidos y equipados para cumplir con las nuevas y estrictas normas contra la contaminación. Husqvarna Construction Products debe garantizar el sistema de control de emanaciones en el motor de pequeña cilindrada para todo terreno o en el equipo durante el período que figura a continuación, siempre y cuando no haya ningún abuso, negligencia ni mantenimiento incorrecto del equipo o motor de pequeña cilindrada para todo terreno.

En el sistema de control de emanaciones se pueden incluir piezas tales como el carburador o el tanque de combustible, tuberías de combustible, tapas de combustible, válvulas, depósitos, filtros, mangueras de vapor, abrazaderas, conectores y otros componentes asociados. Las piezas cubiertas para los modelos 2011 y posteriores, se indican a continuación. Cuando exista una condición cubierta por la garantía, Husqvarna Construction Products reparará el motor de pequeña cilindrada para todo terreno o su equipo sin costo, incluido el diagnóstico, las piezas y la mano de obra.

## ALCANCE DE LA GARANTIA DEL FABRICANTE

El sistema de control de emanaciones está garantizado por dos (2) años. Si cualquier pieza relacionada con las emisiones incluida en la lista de piezas del sistema de control de emanaciones garantizadas para su equipo tiene una falla, Husqvarna Construction Products reparará o reemplazará la pieza.

## RESPONSABILIDADES DE GARANTIA DEL PROPIETARIO

Como propietario del motor de pequeña cilindrada para todo terreno, es responsable de realizar el mantenimiento necesario que figura en el manual del propietario. Husqvarna Construction Products recomienda que conserve todos los recibos que cubran el mantenimiento del motor de pequeña cilindrada para todo terreno; sin embargo, Husqvarna Construction Products no puede negar la garantía solo por la falta de recibos. No obstante, como propietario del motor de pequeña cilindrada para todo terreno debe saber que Husqvarna Construction Products puede negar la cobertura de la garantía si dicho motor o una de sus piezas del sistema de control de emanaciones tuvo una falla como resultado de abuso, negligencia, mantenimiento incorrecto o modificaciones no aprobadas. Usted es responsable de llevar el motor de pequeña cilindrada para todo terreno a un centro de servicios de Husqvarna Construction Products lo antes posible en cuanto surja el problema. Las reparaciones bajo garantía se deben realizar dentro de un tiempo razonable que no supere los 30 días. Si tiene alguna pregunta en relación con la cobertura de la garantía, debe comunicarse con el centro de servicio de Husqvarna Construction Products y llamar al 1-800-288-5040 o ingresar a [www.USA.husqvarnacp.com](http://www.USA.husqvarnacp.com).

## COBERTURA GENERAL DE LA GARANTÍA DE EMISIONES

Husqvarna Construction Products garantiza al comprador final y a cada comprador posterior que su equipo o motor de pequeña cilindrada para todo terreno está: Diseñado, construido y equipado para cumplir con todas las regulaciones vigentes; y que carece de defectos materiales o de fabricación que pudieran ocasionar la falla de una pieza garantizada idéntica en todo respecto a esa pieza, según se describe en la Solicitud de certificación de Husqvarna Construction Products original. El período de la garantía comienza el día en que el equipo se entrega al último comprador o al centro de servicio. El período de garantía es de dos (2) años. De conformidad con las condiciones y exclusiones que se describen a continuación, la garantía de piezas asociadas con las emisiones cubiertas es según se indica a continuación:

- 1 Cualquier pieza garantizada que no está programada para ser reemplazada según el mantenimiento requerido en las instrucciones escritas suministradas está garantizada durante el período de garantía estipulado anteriormente. Si la pieza presenta una falla durante el período de garantía, dicha pieza será reparada o sustituida por Husqvarna Construction Products según la subsección (4) siguiente. Cualquier pieza reparada o sustituida bajo garantía estará garantizada durante el lapso restante del período.
- 2 Cualquier pieza garantizada que está programada para inspección periódica según las instrucciones escritas suministradas está garantizada durante todo el período de garantía. Cualquier pieza reparada o sustituida bajo garantía estará garantizada durante el lapso restante del período.
- 3 Cualquier pieza garantizada que está programada para ser reemplazada según el mantenimiento requerido en las instrucciones expresadas por escrito suministradas está garantizada durante todo el período de garantía anterior a la primera fecha de sustitución programada para dicha pieza. Si la pieza presenta una falla antes de la primera sustitución programada, dicha pieza será reparada o sustituida por Husqvarna Construction Products según la subsección (4) siguiente. Cualquier pieza reparada o sustituida bajo la garantía estará garantizada durante el lapso restante del período anterior al primer punto de sustitución programado para la pieza.
- 4 La reparación o sustitución de cualquier pieza garantizada según las disposiciones de la garantía aquí estipuladas debe realizarse en el Centro de Servicio sin costo alguno para el propietario.
- 5 No obstante las disposiciones aquí establecidas, las reparaciones o los servicios bajo garantía se brindarán en todos los centros de distribución bajo franquicia para realizar mantenimientos a los motores o equipos en cuestión.
- 6 La mano de obra de diagnóstico directamente relacionada con el diagnóstico de una pieza defectuosa en garantía relacionada con las emisiones no se cobrará al propietario del motor o equipo, siempre y cuando dicho trabajo de diagnóstico se realice en un Centro de Servicio autorizado.

---

## GARANTIA DEL SISTEMA DE CONTROL DE EMISIONES

---

- 7 Husqvarna Construction Products puede ser responsable por los daños a otros componentes del motor o equipo causados en forma directa por una falla cubierta por la garantía de cualquiera de las piezas bajo garantía.
- 8 Durante el período de garantía estipulado anteriormente, Husqvarna Construction Products debe mantener un suministro de piezas bajo garantía suficiente para cumplir con la demanda prevista de dichas piezas.
- 9 Cualquier pieza para sustituir una defectuosa puede utilizarse en cualquier mantenimiento bajo garantía, o bien las reparaciones bajo garantía deben proporcionarse al propietario sin cargo.
- 10 No pueden utilizarse las añadiduras o piezas modificadas no exentas por la Junta de Recursos del Aire. La utilización de añadiduras o de piezas modificadas no exentas por parte del comprador final o el comprador posterior puede servir de fundamento para anular una reclamación de garantía. Husqvarna Construction Products no será responsable de las fallas de garantía de las piezas garantizadas provocadas por la utilización de una añadidura o pieza modificada no exenta.

### PIEZAS GARANTIZADAS

La reparación o sustitución de cualquier pieza garantizada, que de otra manera sea elegible para cobertura de garantía, puede excluirse de la cobertura de dicha garantía si Husqvarna Construction Products demuestra que el motor o equipo ha sido objeto de abuso, negligencia o mantenimiento incorrecto, y que dicho abuso, negligencia o mantenimiento incorrecto fue la causa directa de la reparación o sustitución de la pieza. No obstante lo antedicho, cualquier modificación a un componente que cuenta con un dispositivo de limitación de modificación instalado en fábrica que funciona correctamente puede ser elegible para la cobertura de la garantía. Las siguientes piezas de la garantía de emisiones están cubiertas:

- 1 Tuberías de combustible líquido
- 2 Abrazaderas y accesorios de la tubería de combustible
- 3 Depósito de combustible
- 4 Tuberías de ventilación del vapor del sistema de combustible
- 5 Tapa del depósito
- 6 Válvulas del sistema de combustible (válvulas antivuelco y válvulas antiderrame si corresponde)
- 7 Depósito de carbono (si corresponde)



[www.husqvarnacp.com](http://www.husqvarnacp.com)

US - Original instructions, CA - Instructions d'origine, ES - Instrucciones originales



1157629-49

2015-04-09