

GB	Operator's manual 2-11	SK	Návod na obsluhu 152-161
SE	Bruksanvisning 12-21	PL	Instrukcja obsługi 162-171
DK	Bruksanvisning 22-31	HU	Használati utasítás 172-181
NO	Bruksanvisning 32-41	SI	Navodila za uporabo 182-191
FI	Käyttöohje 42-51	RO	Instrucțiuni de utilizare 192-201
DE	Bedienungsanweisung 52-61	TR	Kullanım kılavuzu 202-211
FR	Manuel d'utilisation 62-71	RU	Руководство по эксплуатации 212-222
NL	Gebruiksaanwijzing 72-81	BG	Ръководство за експлоатация 223-233
ES	Manual de instrucciones 82-91	GR	Οδηγίες χρήσεως 234-244
PT	Instruções para o uso 92-101	US	Operator's manual 245-254
IT	Istruzioni per l'uso 102-111	CA	Manuel d'utilisation 255-264
EE	Käsitsemisõpetus 112-121	UE	Manual de instrucciones 265-274
LV	Lietošanas pamācība 122-131		
LT	Naudojimosi instrukcijos 132-141		
CZ	Návod k použití 142-151		



CA230

EAC

KEY TO SYMBOLS

Symbols

WARNING!

A cultivator can be a dangerous tool if used incorrectly or carelessly, which can cause serious or fatal injury to the operator or others. It is extremely important that you read and understand the contents of this Operator's Manual.

Please read the operator's manual carefully and make sure you understand the instructions before using the machine.

Always wear:

- Approved hearing protection
- Protective goggles or a visor
- A breathing mask should be used when there is a risk of dust.

This product is in accordance with applicable EC directives.

Warning: rotating cutter. Keep hands and feet clear. The arrow indicates the direction of rotation.

The operator of the machine must ensure, while working, that no persons or animals come closer than 15 meters.

Always wear approved protective gloves.

Wear sturdy, non-slip boots.

Keep all parts of your body away from the hot surfaces.



Watch out for thrown objects and ricochets.

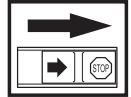


Noise emission to the environment according to the European Community's Directive. The machine's emission is specified in the Technical data chapter and on the label.



Other symbols/decals on the machine refer to special certification requirements for certain markets.

Switch off the engine by moving the stop switch to the STOP position before carrying out any checks or maintenance.



Always wear approved protective gloves.



CONTENTS

Contents

KEY TO SYMBOLS

Symbols 2

CONTENTS

Contents 3

Note the following before starting: 3

WHAT IS WHAT?

What is what on the cultivator attachment? 4

SAFETY INSTRUCTIONS

Personal protective equipment 5

Machine's safety equipment 5

General safety precautions 7

General working instructions 8

MAINTENANCE

Replacing the blades 10

Maintenance schedule 10

TECHNICAL DATA

Technical data 11

EC Declaration of Conformity 11

Note the following before starting:

Husqvarna AB has a policy of continuous product development and therefore reserves the right to modify the design and appearance of products without prior notice.

Long-term exposure to noise can result in permanent hearing impairment. So always use approved hearing protection.

Please read the operator's manual carefully and make sure you understand the instructions before using the machine.

These instructions supplement the instructions that were included with the machine. For other procedures, please refer to the operating instructions for the machine.



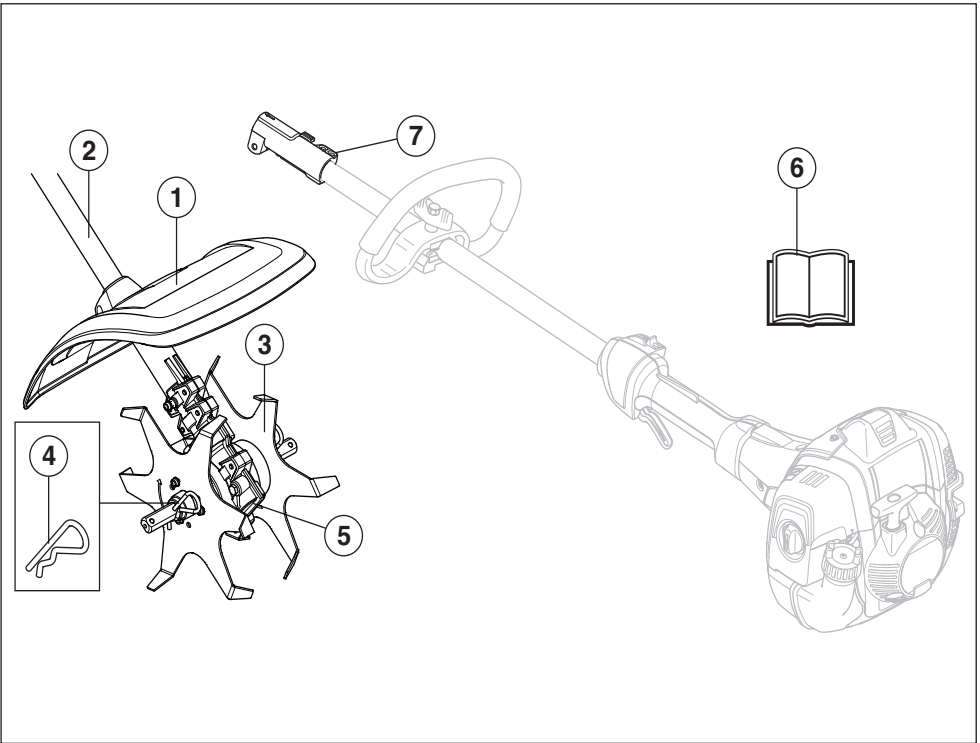
WARNING! Under no circumstances may the design of the machine be modified without the permission of the manufacturer. Always use original accessories. Non-authorized modifications and/or accessories can result in serious personal injury or the death of the operator or others.



WARNING! This accessory may only be used together with the intended brush cutter/trimmer, see under heading "Approved accessories" in chapter Technical data in the machine's Operator's Manual.

The machine is only designed for cultivating.

WHAT IS WHAT?



What is what on the cultivator attachment?

- | | | | |
|---|-------------|---|-------------------------------------------|
| 1 | Blade guard | 5 | Gear housing |
| 2 | Shaft | 6 | Operator's manual |
| 3 | Blades | 7 | Shaft coupling (Belongs to basic machine) |
| 4 | Split pin | | |

SAFETY INSTRUCTIONS

Personal protective equipment



WARNING! You must use approved personal protective equipment whenever you use the machine. Personal protective equipment cannot eliminate the risk of injury but it will reduce the degree of injury if an accident does happen. Ask your dealer for help in choosing the right equipment. Please read the operator's manual carefully and make sure you understand the instructions before using the machine.



WARNING! Listen out for warning signals or shouts when you are wearing hearing protection. Always remove your hearing protection as soon as the engine stops.

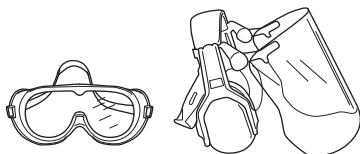
- Gloves should be worn when necessary.



- Wear hearing protection that provides adequate noise reduction.



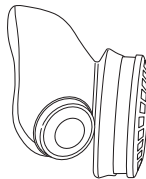
- Always wear approved eye protection. If you use a visor then you must also wear approved protective goggles. Approved protective goggles must comply with the ANSI Z87.1 standard in the USA or EN 166 in EU countries. Blows from branches or objects that are thrown can damage the eyes.



- Wear sturdy, non-slip boots.



- Always wear heavy, long pants, boots, gloves, and a long-sleeve shirt. To reduce the risk of injury associated with objects being drawn into rotating parts, do not wear loose clothing, scarves, jewelry, etc. Secure hair so it is above shoulder level.
- A breathing mask should be used when there is a risk of dust.



- Always have a first aid kit nearby.



Machine's safety equipment

This section describes the machine's safety equipment, its purpose, and how checks and maintenance should be carried out to ensure that it operates correctly. See the "What is what?" section to locate where this equipment is positioned on your machine.

The life span of the machine can be reduced and the risk of accidents can increase if machine maintenance is not carried out correctly and if service and/or repairs are not carried out professionally. If you need further information please contact your nearest service workshop.

IMPORTANT! You must use approved personal protective equipment whenever you use the machine. Personal protective equipment cannot eliminate the risk of injury but it will reduce the degree of injury if an accident does happen. Ask your dealer for help in choosing the right equipment.



WARNING! Never use a machine that has faulty safety equipment! Carry out the inspection, maintenance and service routines listed in this section.

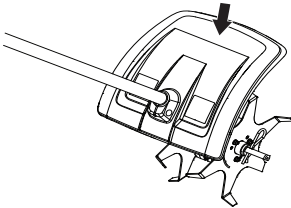
SAFETY INSTRUCTIONS

Cutting attachment guard



This guard is intended to prevent loose objects from being thrown towards the operator. The guard also protects the operator from accidental contact with the cutting attachment.

- Ensure that the guard is undamaged and is not cracked.

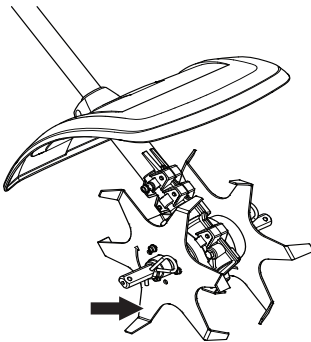


- Replace the guard if it has been exposed to impact or is cracked.

Cutting equipment



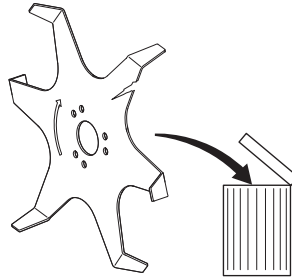
The tines are designed and machined to withstand the loads resulting from cultivating.



The two basic rules:

- 1 Only use cutting attachments with the guards we recommend!

- 2 Check the cutting attachment for damage or cracks. A damaged cutting attachment should always be replaced.



WARNING! Always stop the engine before you work on any part of the accessory. It can continue to move even after the throttle is released. Ensure the accessory has stopped completely and disconnect the HT leads from the spark plug before you start to work on it.



WARNING! Never use a machine with faulty safety equipment. The machine's safety equipment must be checked and maintained as described in this section. If your machine fails any of these checks contact your service agent to get it repaired.

SAFETY INSTRUCTIONS

General safety precautions

IMPORTANT!

Only use the machine for the purpose it was intended for. The machine is only designed for cultivating.

Never use the machine if you are tired, if you have drunk alcohol, or if you are taking medication that could affect your vision, your judgement or your co-ordination.

Wear personal protective equipment. See instructions under the "Personal protective equipment" heading.

Never use a machine that has been modified in any way from its original specification.

Never use the machine in extreme weather conditions such as severe cold, very hot and/or humid climates.

Never use a machine that is faulty. Carry out the safety checks, maintenance and service instructions described in this manual. Some maintenance and service measures must be carried out by trained and qualified specialists. See instructions under the Maintenance heading.



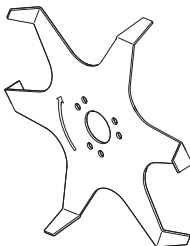
WARNING! Faulty blades can increase the risk of accidents.

- Never allow children to use the machine.
- Ensure that no-one comes closer than 15 metres while you are working.
- Never allow anyone else to use the machine without first ensuring that they have read and understood the contents of the operator's manual.
- Cultivating should only be done in daylight or other well-lit conditions.

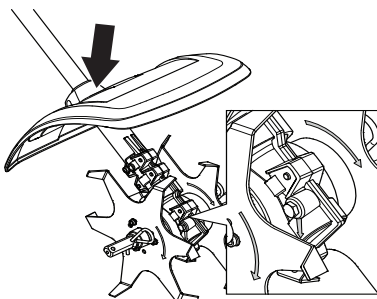
Safety instructions before starting work

- Inspect the working area. Remove all loose objects, such as stones, broken glass, nails, steel wire, string, etc. that could be thrown out or become wrapped around the cutter or cutter guard.
- Keep unauthorised persons at a distance. Children, animals, onlookers and helpers should be kept outside the safety zone of 15 m. Stop the machine immediately if anyone approaches.
- Check the entire machine before starting. Replace damaged parts. Check that there are no fuel leaks and that all guards and covers are complete and fastened securely. Check all nuts and screws.

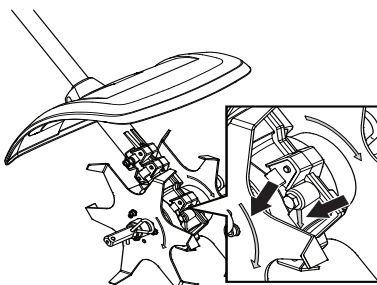
- Check that the blades are undamaged and show no signs of cracking or other damage. Replace the blades if necessary.



- Make sure the cutter guard is fitted and not damaged.



- Check that the tines and tine guard are secured correctly. Make sure the direction of rotation agrees with the cutters and on the gear. The arrows must point in the same direction.



- Check that the blades do not move when the engine is idling.
- Make sure the handle and safety features are in order. Never use a machine that has any parts missing or has been modified in relation to the specification.
- Only use the machine for the purpose it was intended for.

When starting from cold:

- Run the basic machine warm and then shut down the machine.
- Mount the accessory as per the assembly instructions.

SAFETY INSTRUCTIONS

General working instructions

IMPORTANT!

This section takes up the basic safety precautions for working with a cultivator.

If you encounter a situation where you are uncertain how to proceed you should ask an expert. Contact your dealer or your service workshop.

Avoid all usage which you consider to be beyond your capability.

Basic safety rules



Look around you:

- To ensure that people, animals or other things cannot affect your control of the machine.
 - To ensure that people, animals, etc., do not come into contact with the cutting attachment or loose objects that are thrown out by the cutting attachment.
 - CAUTION! Do not use the machine unless you are able to call for help in the event of an accident.
- 1 Do not use the machine in bad weather, such as dense fog, heavy rain, strong wind, intense cold, etc. Working in bad weather is tiring and can lead to dangerous conditions, e.g. slippery surfaces.
 - 2 Make sure you can move and stand safely. Check the area around you for possible obstacles (roots, rocks, branches, ditches, etc.) in case you have to move suddenly. Take great care when working on sloping ground.



- 3 The engine must be switched off before moving.
- 4 Never put the machine down with the engine running unless you have it in clear sight.
- 5 The cutting tool must work away from the operator. Never work with the tool towards the operator as this may cause serious injury.

Basic working techniques



- Always ensure you have a safe and stable working position.
- Always hold the machine with both hands. Hold the machine on the right of your body.



- Make sure your hands and feet do not come near the cutter when the engine is running.



- Always keep the tines close to the ground.
- Always slow the engine to idle speed after each working operation. Long periods at full throttle without any load on the engine (i.e. without the resistance that the cutting attachment exerts on the engine when you are using the machine) can lead to serious engine damage.
- Pay extra attention when pulling the cultivator towards you while working.
- If heavy vibration occurs, stop the machine. Disconnect the HT lead from the spark plug. Check that the machine is not damaged. Repair any damage.



WARNING! At times grass and stones can become caught in the tines. Always stop the engine when cleaning.

SAFETY INSTRUCTIONS



WARNING! Watch out for thrown objects. Always wear eye protection. Never lean over the cutting attachment guard. Stones, rubbish, etc. can be thrown up into the eyes causing blindness or serious injury.

Keep unauthorised persons at a distance. Children, animals, onlookers and helpers should be kept outside the safety zone of 15 metres. Stop the machine immediately if anyone approaches.

The gear can get hot during use and may remain so for a while afterwards. You could get burnt if you touch it.

Safety instructions after completing work



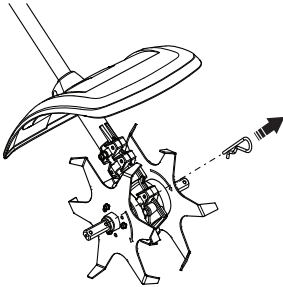
- Make sure the cutting attachment has stopped before cleaning, carrying out repairs or an inspection. Disconnect the spark plug cap from the spark plug.
- Wear heavy-duty gloves when repairing the cultivator.
- Use only original spare parts for repairs.
- Store the machine out of reach of children.

MAINTENANCE

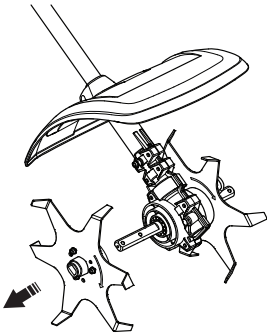
Replacing the blades



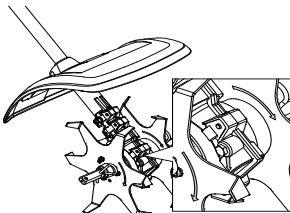
Loosen the split pin.



Remove the cutter package from the gear housing's output axle.



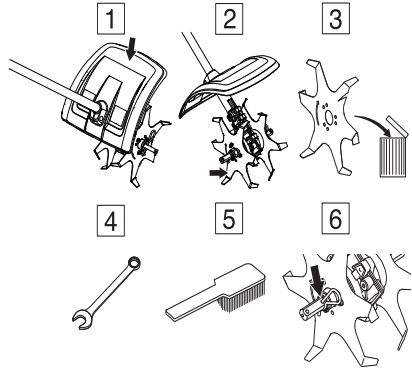
Mount the cutter package onto the gear housing's output shaft. Make sure the direction of rotation agrees with the cutters and on the gear. The arrows must point in the same direction.



Maintenance schedule

Below you will find some general maintenance instructions. If you need further information please contact your service workshop.

Daily maintenance



- 1 Check that the guard is undamaged and not cracked. Replace the guard if it has been exposed to impact or is cracked.
- 2 Check that the blades do not move when the engine is idling.
- 3 Check that the blades are undamaged and show no signs of cracking or other damage. Replace the blades if necessary.
- 4 Check that nuts and screws are tight.
- 5 Clean the outside of the machine.
- 6 Check that the split pins and cotter pins are undamaged and secured correctly.

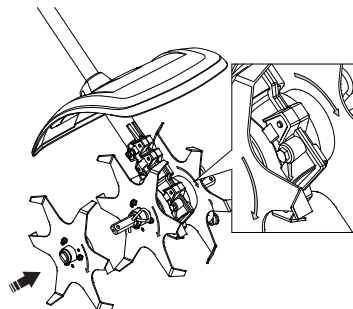
Transport and storage

- If transporting the machine on another vehicle always use approved securing devices and make sure that the machine is securely held.
- Ensure the machine is cleaned and that a complete service is carried out before long-term storage.

Optional accessories

2x cutters

Mount the cutter package onto the gear housing's output shaft. Make sure the direction of rotation agrees with the cutters and on the gear. The arrows must point in the same direction.



TECHNICAL DATA

Technical data

Technical data **CA230**

Weight

Weight, kg	2,9
2x cutters	2,8
4x cutters (accessory)	3,7

Dimensions, mm

2x cutters	140
4x cutters (accessory)	235

Noise emissions

(see note 1)

Sound power level, measured dB (A)	105
Sound power level, guaranteed L_{WA} dB (A)	109

Sound levels

(see note 2)

Equivalent sound pressure level at the operator's ear, measured according to EN ISO 22868, dB(A):

Equipped with approved accessory (original)	92,4
---------------------------------------------	------

Vibrations

(see note 3)

Equivalent vibration levels ($a_{hv,eq}$) at handles, measured according to EN ISO 22867, m/s^2

Equipped with approved accessory (original), left/right	4,2/6,1
---------------------------------------------------------	---------

Note 1: Noise emissions in the environment measured as sound power (L_{WA}) in conformity with EC directive 2000/14/EC. Reported sound power level for the machine has been measured with the original cutting attachment that gives the highest level. The difference between guaranteed and measured sound power is that the guaranteed sound power also includes dispersion in the measurement result and the variations between different machines of the same model according to Directive 2000/14/EC.

Note 2: Reported data for equivalent sound pressure level for the machine has a typical statistical dispersion (standard deviation) of 1 dB (A).

Note 3: Reported data for equivalent vibration level has a typical statistical dispersion (standard deviation) of 1 m/s^2 .

CA230		
Approved accessories	Type	Guard
Cultivator cutter	4x blades	

EC Declaration of Conformity (Applies to Europe only)

We, **Husqvarna AB**, SE-561 82 Huskvarna, Sweden, tel: +46-36-146500, declare that the cultivator attachment **Husqvarna/Jonsered CA230** comply with the requirements of the COUNCIL'S DIRECTIVE:

- of May 17, 2006 "relating to machinery" **2006/42/EC**.

The following standards have been applied: ISO 11449:1994

SMP Svensk Maskinprovning AB, Box 7035, SE-750 07 Uppsala, Sweden, has carried out voluntary type approval for Husqvarna AB. The certificates have the numbers: **SEC/14/2415**

Huskvarna, 20 april 2015



Per Gustafsson, Development manager
(Authorized representative for Husqvarna AB and responsible for technical documentation.)

SYMBOLFÖRKLARING

Symboler

VARNING!

En kultivator kan felaktigt eller slarvigt använd vara ett farligt redskap, som kan orsaka allvarliga skador eller dödsfall för användaren eller andra. Det är mycket viktigt att du läser och förstår innehållet i denna bruksanvisning.

Läs igenom bruksanvisningen noggrant och förstå innehållet innan du använder maskinen.



Använd alltid:

- Godkända hörselskydd
- Skyddsglasögon eller visir
- Andningsskydd ska användas då det finns risk för damm.



Denna produkt överensstämmer med gällande EG-direktiv.



Varning för roterande kniv. Akta händer och fötter. Pilen anger rotationsriktning.



Användare av maskinen ska under arbetets gång se till att inga människor eller djur kommer närmare än 15 meter.



Använd alltid godkända skyddshandskar.



Använd halkfria och stadiga stövlar.



Akta dig för varma ytor på maskinen.



Varning för utslungade föremål och rikoschetter.

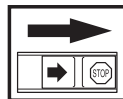


Bulleremissioner till omgivningen enligt Europeiska Gemenskapens direktiv. Maskinens emission anges i kapitel Tekniska data och på dekal.

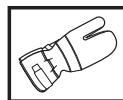


Övriga på maskinen angivna symboler/dekaler avser specifika krav för certifieringar på vissa marknader.

Kontroll och/eller underhåll skall utföras med motorn fränslagen, med stoppkontakten i läge STOP.



Använd alltid godkända skyddshandskar.



INNEHÅLL

Innehåll

SYMBOLFÖRKLARING

Symboler 12

INNEHÅLL

Innehåll 13

Innan start måste följande observeras: 13

VAD ÄR VAD?

Vad är vad på kultivatortillsatsen? 14

SÄKERHETSINSTRUKTIONER

Personlig skyddsutrustning 15

Maskinens säkerhetsutrustning 15

Allmänna säkerhetsinstruktioner 17

Allmänna arbetsinstruktioner 18

UNDERHÅLL

Byte av knivar 20

Underhållsschema 20

TEKNISKA DATA

Tekniska data 21

EG-försäkrän om överensstämmelse 21

Innan start måste följande observeras:

Husqvarna AB arbetar ständigt med att vidareutveckla sina produkter och förbehåller sig därför rätten till ändringar beträffande bl.a. form och utseende utan föregående meddelande.

Långvarig exponering för buller kan ge bestående hörselskador. Använd därför alltid godkända hörselskydd.

Läs igenom bruksanvisningen noggrant och förstå innehållet innan du använder maskinen.

Denna bruksanvisning är ett komplement till den bruksanvisning som medföljer maskinen. För övrigt handhavande, se maskinens bruksanvisning.



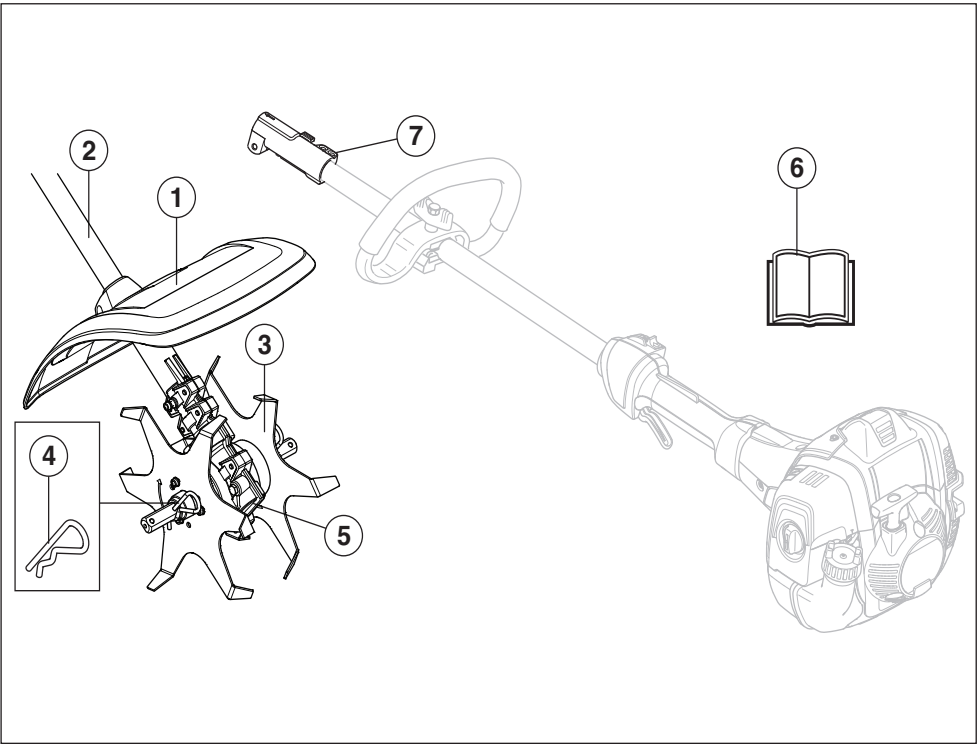
VARNING! Under inga förhållanden får maskinens ursprungliga utformning ändras utan tillstånd från tillverkaren. Använd alltid originaltillbehör. Icke auktoriserade ändringar och/eller tillbehör kan medföra allvarliga skador eller dödsfall för föraren eller andra.



VARNING! Detta tillbehör får endast användas tillsammans med därför avsedda röjsågar/ trimmers, se under rubrik "Godkända tillbehör" i kapitel "Tekniska data" i maskinens bruksanvisning.

Maskinen är endast konstruerad för kultivering.

VAD ÄR VAD?



Vad är vad på kultivatortillsatsen?

- | | | | |
|---|-----------|---|----------------------------------------|
| 1 | Knivskydd | 5 | Växelhus |
| 2 | Riggrör | 6 | Bruksanvisning |
| 3 | Knivar | 7 | Riggrörskoppling (Tillhör basmaskinen) |
| 4 | Saxsprint | | |

SÄKERHETSINSTRUKTIONER

Personlig skyddsutrustning



WARNING! Vid all användning av maskinen skall godkänd personlig skyddsutrustning användas. Personlig skyddsutrustning eliminerar inte skaderisken, men den reducerar effekten av en skada vid ett olyckstillbud. Be din återförsäljare om hjälp vid val av utrustning. Läs igenom bruksanvisningen noggrant och förstå innehållet innan du använder maskinen.

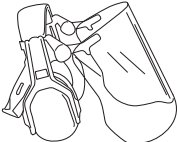


WARNING! Var alltid uppmärksam på varningssignaler eller tillrop när hörselskydd används. Tag alltid av hörselskydden så snart motorn stoppats.

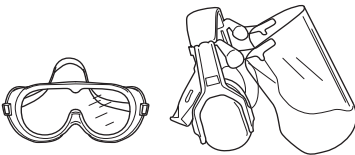
- Handskar ska användas när det behövs.



- Hörselskydd med tillräcklig dämpoeffekt ska användas.



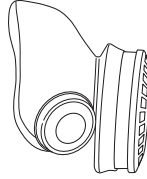
- Godkända ögonskydd skall alltid användas. Används visir måste även godkända skyddsglasögon användas. Med godkända skyddsglasögon menas de som uppfyller standard ANSI Z87.1 för USA eller EN 166 för EU-länder. Slag från grenar eller föremål som kastas iväg kan skada ögonen.



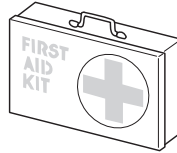
- Använd halkfria och stadiga stövlar.



- Använd rivstarkt material i klädseln och undvik alltför vida kläder som lätt hakar fast i ris och grenar. Använd alltid kraftiga långbyxor och en långarmad skjorta. Bär inte smycken, kortbyxor eller sandaler och gå inte barfota. Se till att håret inte hänger nedanför axlarna.
- Andningskydd ska användas då det finns risk för damm.



- Första förband ska alltid finnas till hands.



Maskinens säkerhetsutrustning

I detta avsnitt förklaras vilka maskinens säkerhetsdetaljer är, vilken funktion de har samt hur kontroll och underhåll skall utföras för att säkerställa att de är i funktion. Se kapitel Vad är vad?, för att hitta var dessa detaljer är placerade på din maskin.

Maskinens livslängd kan förkortas och risken för olyckor kan öka om underhåll av maskinen inte utförs på rätt sätt och om service och/eller reparationer inte utförs fackmannamässigt. Om du behöver ytterligare upplysningar kontakta närmaste serviceverkstad.

VIKTIGT! Vid all användning av maskinen skall godkänd personlig skyddsutrustning användas. Personlig skyddsutrustning eliminerar inte skaderisken, men den reducerar effekten av en skada vid ett olyckstillbud. Be din återförsäljare om hjälp vid val av utrustning.



WARNING! Använd aldrig en maskin med defekta säkerhetsdetaljer. Följ i detta avsnitt listade kontroll-, underhålls- och serviceinstruktioner.

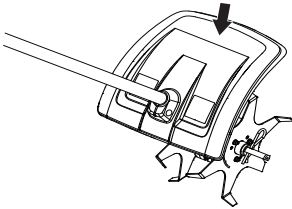
SÄKERHETSINSTRUKTIONER

Skydd för skärutrustning



Detta skydd är avsett att förhindra att lösa föremål slungas iväg mot användaren. Skyddet förhindrar också användaren från att komma i kontakt med skärutrustningen.

- Kontrollera att skyddet är oskadat och fritt från sprickbildning.

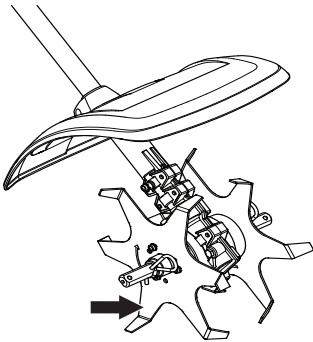


- Byt skydd om det utsatts för slag eller har sprickor.

Skärutrustning



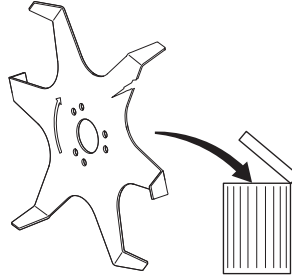
Knivarna är konstruerade och bearbetade för att tåla de belastningar som kultivering innebär.



De två grundreglerna:

- 1 Använd endast skärutrustning tillsammans med det skydd som vi rekommenderar!

- 2 Kontrollera skärutrustningen med avseende på skador och sprickbildning. En skadad skärutrustning ska alltid bytas ut.



VARNING! Stanna alltid motorn innan du arbetar med något på tillbehöret. Den kan fortsätta att röra på sig även sedan gasreglaget släppts. Kontrollera att tillbehöret har stannat helt och tag bort kablarna från tändstiftet innan du börjar med något arbete på tillbehöret.



VARNING! Använd aldrig en maskin med defekt säkerhetsutrustning. Maskinens säkerhetsutrustning ska kontrolleras och underhållas som beskrivits i detta avsnitt. Om din maskin inte klarar alla kontrollerna ska serviceverkstad uppsökas för reparation.

SÄKERHETSINSTRUKTIONER

Allmänna säkerhetsinstruktioner

VIKTIGT!

Använd maskinen endast till det den är avsedd för. Maskinen är endast konstruerad för kultivering.

Använd aldrig maskinen om du är trött, om du har druckit alkohol eller om du tar mediciner, som kan påverka din syn, ditt omdöme eller din kroppskontroll.

Använd personlig skyddsutrustning. Se anvisningar under rubrik "Personlig skyddsutrustning".

Använd aldrig en maskin som modifierats så att den ej längre överensstämmer med originalutförandet.

Använd aldrig maskinen vid extrema klimafförhållanden såsom sträng kyla eller mycket varmt och/eller fuktigt klimat.

Använd aldrig en maskin som är felaktig. Följ underhålls-, säkerhetskontroll- och serviceinstruktioner i denna bruksanvisning. Vissa underhålls- och serviceåtgärder skall utföras av tränade och kvalificerade specialister. Se anvisningar under rubrik Underhåll.



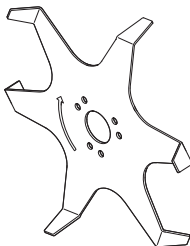
VARNING! Felaktiga knivar kan öka risken för olyckor.

- Tillåt aldrig barn att använda maskinen.
- Se till att ingen kommer närmare än 15 m under arbetet.
- Låt aldrig någon annan använda maskinen utan att försäkra dig om att de har läst och förstått innehållet i bruksanvisningen.
- Kultivering ska endast ske i dagsljus eller under andra väl upplysta förhållanden

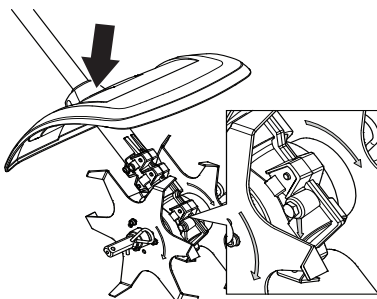
Säkerhetsinstruktioner före start

- Inspektera arbetsområdet. Avlägsna alla lösa föremål, så som stenar, krossat glas, spikar, ståltråd, snören med mera, som kan slungas iväg eller sno in sig i kniven eller i knivskyddet.
- Håll obehöriga på avstånd. Barn, djur, åskådare och medhjälpare ska befinna sig utanför säkerhetszonen på 15 m. Stanna maskinen omedelbart om någon närmar sig.
- Kontrollera hela maskinen före start. Byt ut skadade delar. Kontrollera att inget bränsle läcker ut och att alla skydd och kåpor är hela och ordentligt fastsatta. Kontrollera alla skruvar och muttrar.

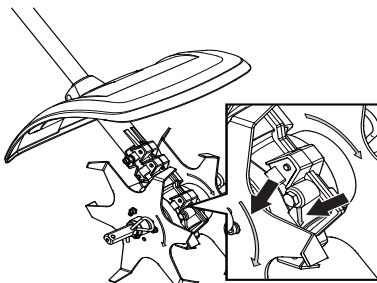
- Kontrollera att knivarna är oskadade och inte har några sprickor eller andra skador. Byt knivarna om det behövs.



- Se till att knivskyddet är monterat och oskadat.



- Kontrollera att knivarna och knivskyddet är ordentligt fastsatta. Se till att rotationsriktningen stämmer överens med knivarna och på växeln. Pilarnas riktning ska vara åt samma håll.



- Kontrollera att knivarna inte rör sig på tomgång.
- Se till att handtag och säkerhetsfunktion är i ordning. Använd aldrig en maskin som saknar någon del eller har ändrats utanför specifikationen.
- Använd maskinen endast till det den är avsedd för.

Vid kallstart:

- Kör basmaskinen varm och stäng sedan av maskinen.
- Montera tillbehöret enligt monteringsanvisning.

SÄKERHETSINSTRUKTIONER

Allmänna arbetsinstruktioner

VIKTIGT!

Detta avsnitt behandlar grundläggande säkerhetsregler för arbete med kultivator.

När du råkar ut för en situation som gör dig osäker angående fortsatt användning ska du rådfråga en expert. Vänd dig till din återförsäljare eller din serviceverkstad.

Undvik all användning du anser dig otillräckligt kvalificerad för.

Grundläggande säkerhetsregler



lakta omgivningen:

- För att säkerställa att inte människor, djur eller annat kan påverka din kontroll över maskinen.
 - För att säkerställa att inte människor, djur eller annat riskerar att komma i kontakt med skärutrustningen eller lösa föremål som slungas iväg av skärutrustningen.
 - OBS! Använd aldrig maskinen utan möjlighet att kunna påkalla hjälp i händelse av olycka.
- 1 Undvik användning vid ogynnsamma väderleksförhållanden. Exempelvis tät dimma, kraftigt regn, hård vind, stark kyla, osv. Att arbeta i dåligt väder är tröttsamt och kan skapa farliga omständigheter, exempelvis halt underlag.
 - 2 Se till att du kan gå och stå säkert. Titta efter eventuella hinder vid en oväntad förflyttning (rötter, stenar, grenar, gropar, diken, osv.). lakta stor försiktighet vid arbete i sluttande terräng.



- 3 Vid förflyttning ska motorn stängas av.
- 4 Ställ aldrig ner maskinen med motorn i drift utan att du har uppsikt över den.
- 5 Skärverktyget ska arbeta bort från operatören. Arbetar aldrig med verktyget mot operatören då kan allvarliga skador uppstå.

Grundläggande arbetsteknik



- Se alltid till att du har en säker och stadig arbetsposition.
- Använd alltid båda händerna för att hålla i maskinen. Håll maskinen på höger sida om kroppen.



- Se till att händer och fötter inte kommer åt kniven när motorn är i gång.



- Håll alltid knivarna nära marken.
- Släpp ner motorn på tomgångsvarvtal efter varje arbetsmoment. Längre tids fullvarv utan att motorn belastas (dvs utan motståndet som motorn upplever via skärutrustningen vid arbete med maskinen) kan ge allvarlig motorskada.
- Var extra uppmärksam när du drar kultivatoren mot dig under arbete.
- Om kraftiga vibrationer uppstår, stanna maskinen. Ta bort tändkabeln från tändstiftet. Kontrollera att maskinen inte är skadad. Reparera eventuella skador.



WARNING! Ibland fastnar gräs eller stenar i knivarna. Stanna alltid motorn vid rengöring.

SÄKERHETSINSTRUKTIONER



WARNING! Varning för utslungade föremål. Använd alltid ögonskydd. Luta dig aldrig över skärutrustningens skydd. Stenar, skräp m.m. kan kastas upp i ögonen och vålla blindhet eller allvarliga skador.

Håll obehöriga på avstånd. Barn, djur, åskådare och medhjälpare ska befinna sig utanför säkerhetszonen på 15 m. Stanna maskinen omedelbart om någon närmar sig.

Under samt en stund efter användning kan växeln vara varm. Det finns risk för brännskada vid kontakt.

Säkerhetsinstruktioner efter arbetets slut



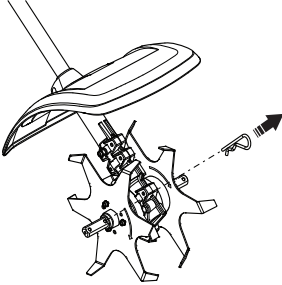
- Före rengöring, reparation eller inspektion ska du se till att skärutrustningen har stannat. Tag bort tändkabeln från tändstiftet.
- Använd kraftiga handskar vid reparation av kultivatorn.
- Använd endast originalreservdelar vid reparation.
- Förvara maskinen oåtkomlig för barn.

UNDERHÅLL

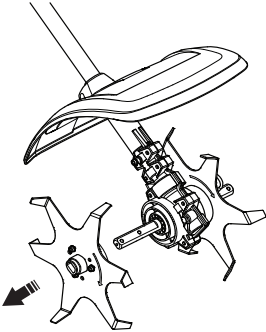
Byte av knivar



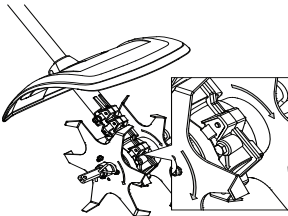
Lossa saxsprinten.



Demontera knivpaketet från växelhushets utgående axel.



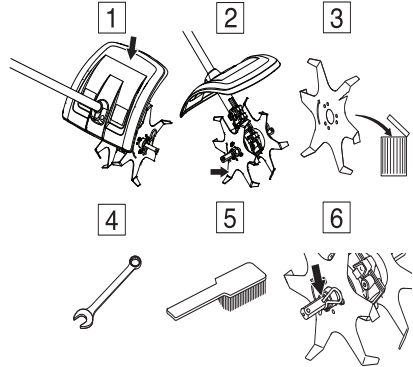
Montera knivpaketet på växelhushets utgående axel. Se till att rotationsriktningen stämmer överens med knivarna och på växeln. Pilarnas riktning ska vara åt samma håll.



Underhållsschema

Nedan följer några allmänna skötselinstruktioner. Om du behöver ytterligare upplysningar kontakta serviceverkstaden.

Daglig tillsyn



- 1 Kontrollera att skyddet är oskadat och fritt från sprickbildning. Byt skydd om det utsatts för slag eller har sprickor.
- 2 Kontrollera att knivarna inte rör sig på tomgång.
- 3 Kontrollera att knivarna är oskadade och inte har några sprickor eller andra skador. Byt knivarna om det behövs.
- 4 Kontrollera att skruvar och muttrar är åtdragna.
- 5 Rengör maskinen utvändigt.
- 6 Kontrollera att saxpinnar och låssprintar till knivarna är hela och sitter på plats.

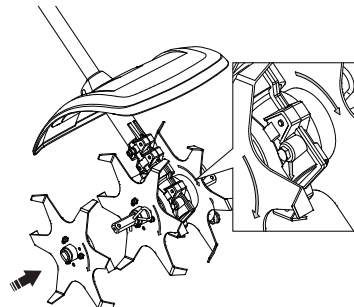
Transport och förvaring

- Vid eventuell transport ska Du alltid använda godkända spännanordningar och se till att maskinen är väl förankrad.
- Se till att maskinen är väl rengjord och att fullständig service är utförd innan långtidsförvaring.

Extra tillbehör

2 st knivar

Montera knivpaketet på växelhushets utgående axel. Se till att rotationsriktningen stämmer överens med knivarna och på växeln. Pilarnas riktning ska vara åt samma håll.



TEKNISKA DATA

Tekniska data

Tekniska data **CA230**

Vikt

Vikt, kg	2,9
2 st knivar	2,8
4 st knivar (tillbehör)	3,7

Mått, mm

2 st knivar	140
4 st knivar (tillbehör)	235

Bulleremissioner

(se anm. 1)

Ljudeffektnivå, uppmätt dB(A)	105
Ljudeffektnivå, garanterad L_{WA} dB(A)	109

Ljudnivåer

(se anm. 2)

Ekvivalent ljudtrycksnivå vid användarens öra, uppmätt enligt EN ISO 22868, dB(A):

Utrustad med godkänt tillbehör (original)	92,4
-------------------------------------------	------

Vibrationer

(se anm. 3)

Ekvivalenta vibrationsnivåer ($a_{h,v,eq}$) i handtag uppmätt enligt EN ISO 22867, m/s^2

Utrustad med godkänt tillbehör (original), vänster/höger	4,2/6,1
----------------------------------------------------------	---------

Anm. 1: Emission av buller till omgivningen uppmätt som ljudeffekt (L_{WA}) enligt EG-direktiv 2000/14/EG. Redovisad ljudeffektnivå för maskinen är med den original skärutrustning som ger högst nivå. Skillnaden mellan garanterad och uppmätt ljudeffekt är att den garanterade ljudeffekten även inkluderar spridning i mätresultat och variation mellan exemplar av samma modell enligt Direktiv 2000/14/EG.

Anm. 2: Redovisade data för ekvivalent ljudtrycksnivå för maskinen har ett typiskt spridningsmått (standardavvikelse) på 1 dB (A).

Anm. 3: Redovisade data för ekvivalent vibrationsnivå har ett typiskt spridningsmått (standardavvikelse) på 1 m/s^2 .

CA230		
Godkända tillbehör	Typ	Skydd
Kultivator kniv	4 st knivar	

EG-försäkran om överensstämmelse (Gäller endast Europa)

Husqvarna AB, SE-561 82 Huskvarna, Sverige, tel +46-36-146500, försäkrar härmed att kultivator tillsats **Husqvarna/Jonsered CA230** motsvarar föreskrifterna i RÅDETS DIREKTIV:

- av den 17 maj 2006 "angående maskiner" **2006/42/EG**.

Följande standarder har tillämpats: ISO 11449:1994

SMP Svensk Maskinprovning AB, Box 7035, SE-750 07 Uppsala, Sverige, har utfört frivillig typkontroll åt Husqvarna AB. Certifikaten har nummer: **SEC/14/2415**

Huskvarna 20 april 2015



Per Gustafsson, Utvecklingschef (Bemyndigad representant för Husqvarna AB samt ansvarig för tekniskt underlag.)

SYMBOLFORKLARING

Symboler

ADVARSEL!

En kost kan ved forkert eller skødesløs brug være et farligt redskab, som kan medføre alvorlige skader eller dødsfald for brugeren eller andre. Det er meget vigtigt, at du læser og forstår indholdet i denne brugsanvisning.

Læs brugsanvisningen omhyggeligt igennem og forstå indholdet, inden du bruger maskinen.

Brug altid:

- Godkendt høreværn
- Beskyttelsesbriller eller ansigtsværn
- Åndedrætsværn skal anvendes hvor der findes risiko for støv.

Dette produkt er i overensstemmelse med gældende CE-direktiv.

Pas på den roterende kniv. Pas på hænder og fødder. Pilen angiver rotationsretningen.

Brugeren af maskinen skal under arbejdets udførelse sørge for, at ingen mennesker eller dyr kommer nærmere end 15 meter.

Brug altid godkendte beskyttelseshandsker.

Brug skridsikre og stabile støvler.

Hold alle dele af kroppen på sikker afstand af varme overflader.



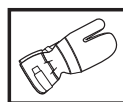
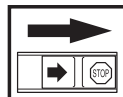
Pas på udslyngede genstande og rikochettering.



Støjemissioner til omgivelserne i henhold til EF-direktiv. Maskinens emission fremgår af kapitlet Tekniske data og af en mærkat.

Andre symboler/etiketter på maskinen gælder specifikke krav for certificering på visse markeder.

Kontrol og/eller vedligeholdelse skal udføres med slukket motor, med stopkontakten på STOP.



INDHOLD

Indhold

SYMBOLFORKLARING

Symboler 22

INDHOLD

Indhold 23

Inden start skal du være opmærksom på følgende: 23

HVAD ER HVAD?

Hvad er hvad på kultivatorudstyret? 24

SIKKERHEDSINSTRUKTIONER

Personligt beskyttelsesudstyr 25

Maskinens sikkerhedsudstyr 25

Generelle sikkerhedsinstruktioner 27

Generelle arbejdsinstruktioner 28

VEDLIGEHOLDELSE

Udskiftning af klingerne 30

Vedligeholdelsesskema 30

TEKNISKE DATA

Tekniske data 31

EF-overensstemmelseserklæring 31

Inden start skal du være opmærksom på følgende:

Husqvarna AB forsøger hele tiden at videreudvikle sine produkter og forbeholder sig derfor ret til ændringer af bl.a. form og udseende uden forudgående varsel.

Langvarig eksponering for støj kan medføre permanente høreskader. Brug derfor altid godkendt høreværn.

Læs brugsanvisningen omhyggeligt igennem og forstå indholdet, inden du bruger maskinen.

Denne brugsanvisning er et supplement til den brugsanvisning, som medfølger maskinen. Se maskinens brugsanvisning for øvrig håndtering.



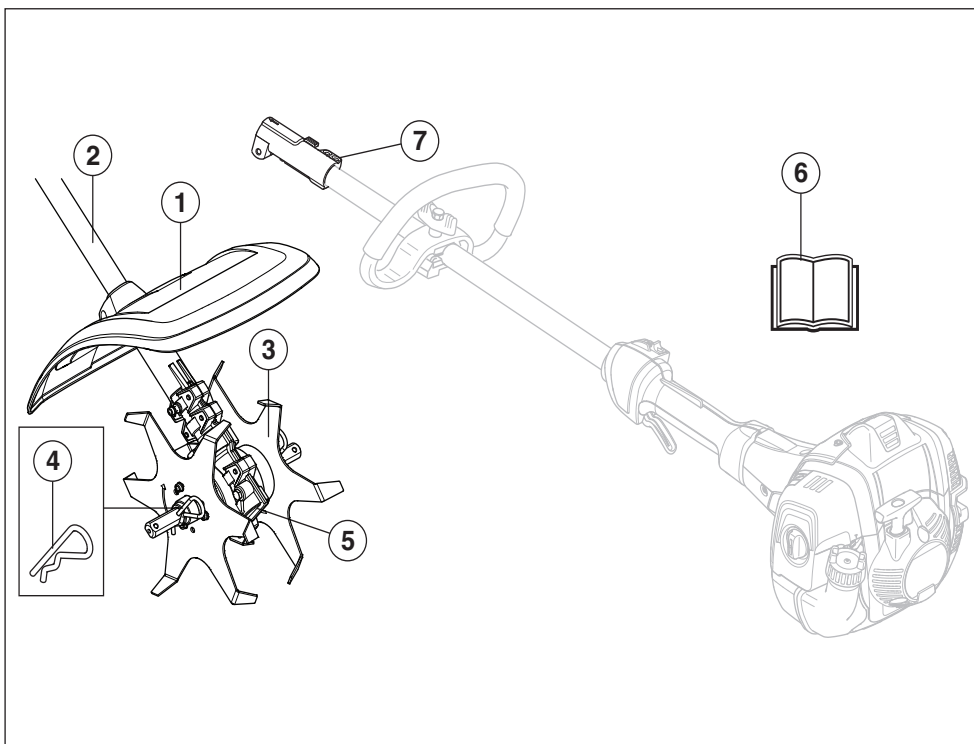
ADVARSEL! Maskinens oprindelige udformning må under ingen omstændigheder ændres uden producentens samtykke. Brug altid originaltilbehør. Ikke-autoriserede ændringer og/eller ikke-godkendt tilbehør kan medføre alvorlige skader eller døden for brugeren eller andre.



ADVARSEL! Dette tilbehør må kun bruges sammen med dertil egnede ryddesave/trimmere, se under overskriften "Godkendt tilbehør" i afsnittet "Tekniske data" i brugsanvisningen til redskabet.

Maskinen er udelukkende beregnet til kultivering.

HVAD ER HVAD?



Hvad er hvad på kultivatorudstyret?

- | | | | |
|---|-----------------|---|---------------------------------------------|
| 1 | Knivbeskyttelse | 5 | Gearhus |
| 2 | Styrestang | 6 | Brugsanvisning |
| 3 | Knive | 7 | Styrestangskobling (tilhører basismaskinen) |
| 4 | Låsestift | | |

SIKKERHEDSINSTRUKTIONER

Personligt beskyttelsesudstyr



ADVARSEL! Ved enhver anvendelse af maskinen skal der bruges godkendt personligt beskyttelsesudstyr. Det personlige beskyttelsesudstyr udelukker ikke risikoen for skader, men det mindsker effekten af en skade ved en ulykke. Bed din forhandler om hjælp ved valg af udstyr. Læs brugsanvisningen omhyggeligt igennem og forstå indholdet, inden du bruger maskinen.



ADVARSEL! Vær altid opmærksom på advarselssignaler eller tilråb, når høreværnet bruges. Tag altid høreværnet af, så snart motoren er standset.

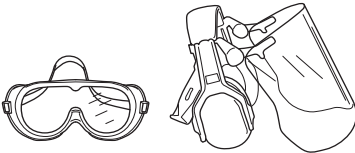
- Handsker skal benyttes, når det er nødvendigt.



- Høreværn med tilstrækkelig dæmpning skal bruges.



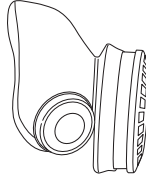
- Godkendt øjenværn skal altid anvendes. Hvis der anvendes visir, skal der også anvendes godkendte beskyttelsesbriller. Med godkendte beskyttelsesbriller menes briller, som opfylder standarden ANSI Z87.1 for USA eller EN 166 for EU-lande. Slag fra grene eller genstande som kastes bort kan beskadige øjnene.



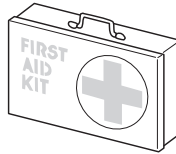
- Brug skridsikre og stabile støvler.



- Bær altid tunge, lange bukser, støvler, handsker og en langærmet skjorte. For at reducere risikoen for personskade som følge af, at genstande bliver trukket ind i roterende dele, må du ikke bære løsthængende tøj, tørklæder, smykker osv. Sørg for, at dit hår er over skulderhøjde.
- Åndedrætsværn skal anvendes hvor der findes risiko for støv.



- Forbindingskasse skal altid findes i nærheden.



Maskinens sikkerhedsudstyr

I dette afsnit forklares mere om maskinens sikkerhedsdetaljer, hvilken funktion de har, samt hvordan kontrol og vedligeholdelse skal udføres for at sikre, at de fungerer. Se kapitel Hvad er hvad? for at se, hvor disse detaljer er placeret på maskinen.

Maskinens levetid kan forkortes, og risikoen for ulykker kan øges, hvis maskinen ikke vedligeholdes korrekt, og hvis service og/eller reparation ikke udføres fagligt korrekt. Hvis du har brug for yderligere oplysninger, kan du kontakte nærmeste serviceværksted.

VIGTIGT! Ved enhver anvendelse af maskinen skal der bruges godkendt personligt beskyttelsesudstyr. Det personlige beskyttelsesudstyr udelukker ikke risikoen for skader, men det mindsker effekten af en skade ved en ulykke. Bed din forhandler om hjælp ved valg af udstyr.



ADVARSEL! Brug aldrig en maskine med defekte sikkerhedsdetaljer. Følg de instruktioner for kontrol, vedligeholdelse og service, der er nævnt i dette afsnit.

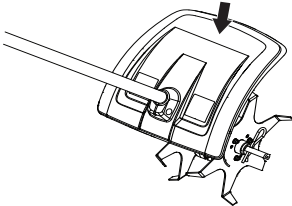
SIKKERHEDSINSTRUKTIONER

Beskyttelse til skæreudstyr



Denne beskyttelse er beregnet til at forhindre, at der slynges løse genstande mod brugeren. Beskyttelsen forhindrer også, at brugeren kommer i kontakt med skæreudstyret.

- Kontrollér, at beskyttelsen er intakt og ikke har revner.

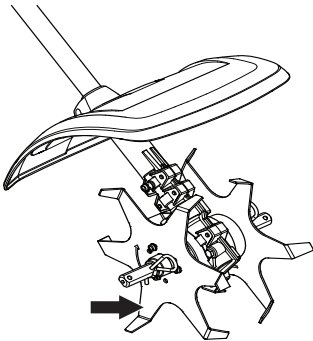


- Udskift beskyttelsen, hvis den har været udsat for slag eller har revner.

Skæreudstyr



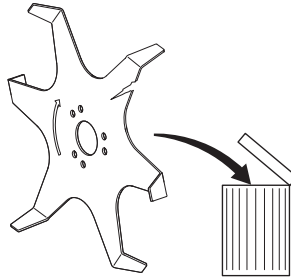
Knivene er konstrueret og forarbejdet, så de kan modstå de belastninger, som kultiveringen indebærer.



De to grundregler:

- 1 Brug kun skæreudstyr sammen med de værn, som vi anbefaler!

- 2 Kontrollér skæreudstyret med hensyn til skader og revnedannelse. Et beskadiget skæreudstyr skal altid udskiftes.



ADVARSEL! Stop altid motoren, før du begynder at arbejde på eventuelle dele af redskabet. Det kan fortsætte med at køre, efter at gashåndtaget slippes. Kontrollér, at redskabet er standset helt, og fjern kablerne fra tændrøret, inden du begynder at arbejde på redskabet.



ADVARSEL! Brug aldrig en maskine med defekt sikkerhedsudstyr. Maskinens sikkerhedsudstyr skal kontrolleres og vedligeholdes som beskrevet i dette afsnit. Klarer maskinen ikke alle kontrollerne, skal du kontakte et serviceværksted for at få den repareret.

SIKKERHEDSINSTRUKTIONER

Generelle sikkerhedsinstruktioner

VIGTIGT!

Brug kun maskinen til det formål, den er beregnet til. Maskinen er udelukkende beregnet til kultivering.

Brug aldrig maskinen, hvis du er træt, hvis du har drukket alkohol, eller hvis du tager medicin, som kan påvirke dit syn, dit overblik eller din kropskontrol.

Brug personligt beskyttelsesudstyr. Se instruktionerne i afsnittet "Personligt beskyttelsesudstyr".

Brug aldrig en maskine, der er blevet ændret, så den ikke længere svarer til originalmodellen.

Anvend aldrig maskinen ved ekstreme klimaforhold såsom streng kulde eller meget varmt og/eller fugtigt klima.

Brug aldrig en maskine, som er behæftet med fejl. Følg sikkerhedskontrol-, vedligeholdelses- og serviceinstruktionerne i denne brugsanvisning. Visse vedligeholdelses- og serviceforanstaltninger må kun udføres af erfarne og kvalificerede specialister. Se anvisningerne under overskriften Vedligeholdelse.



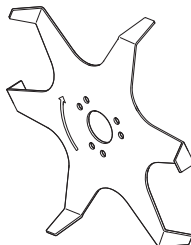
ADVARSEL! Beskadigede knive kan øge risikoen for ulykker.

- Tillad aldrig børn at bruge maskinen.
- Sørg for, at ingen kommer nærmere end 15 meter under arbejdet.
- Lad aldrig andre bruge maskinen, uden at du har sikret dig, at vedkommende har forstået indholdet i brugsanvisningen.
- Kultivering må kun udføres i dagslys eller under gode lysforhold.

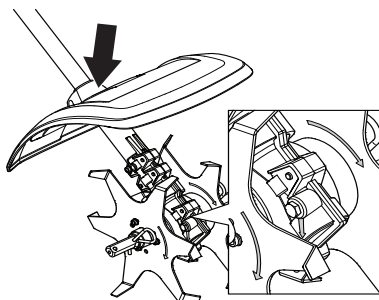
Sikkerhedsinstruktioner inden start

- Inspicér arbejdsområdet. Fjern alle løse genstande som f.eks. sten, knust glas, søm, ståltråd, snore m.m., som kan slynges væk eller sno sig omkring kniven eller knivbeskyttelsen.
- Hold uvedkommende på afstand. Børn, dyr, tilskuere og medhjælpere skal befinde sig uden for sikkerhedszonen på 15 meter. Stands omgående maskinen, hvis nogen nærmer sig.
- Kontrollér hele maskinen før start. Udskift beskadigede dele. Kontrollér, at brændstof ikke lækker, og at alle beskyttelsesanordninger og dæksler er intakte og spændt ordentlig fast. Kontrollér alle skruer og møtrikker.

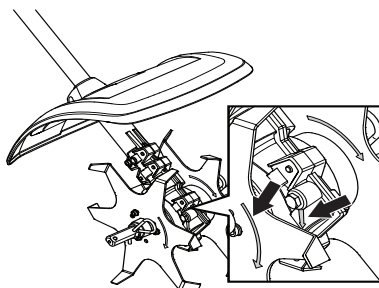
- Kontrollér, at knivene er intakte og ikke har revner eller andre skader. Skift knivene om nødvendigt.



- Sørg for, at knivbeskyttelsen er monteret og er intakt.



- Kontrollér, at knivene og knivafskærmningen er ordentligt fastgjort. Kontrollér, at rotationsretningen er i overensstemmelse med knivene og gearet. Pilene skal pege i samme retning.



- Kontrollér, at knivene ikke bevæger sig ved tomgang.
- Sørg for, at håndtag og sikkerhedsfunktioner er i orden. Brug aldrig en maskine, som mangler dele eller er ændret i strid med specifikationerne.
- Brug kun maskinen til det formål, den er beregnet til.

Ved koldstart:

- Kør basismaskinen, indtil den er varm, og sluk derefter maskinen.
- Monter redskabet som beskrevet i monteringsanvisningen.

SIKKERHEDSINSTRUKTIONER

Generelle arbejdsinstruktioner

VIGTIGT!

I dette afsnit kan du se de grundlæggende sikkerhedsregler for arbejde med kultivatoren.

Når du kommer ud for en situation, som gør dig usikker med hensyn til fortsat brug, skal du spørge en ekspert til råds. Henvend dig til din forhandler eller dit serviceværksted.

Undgå al brug, som du ikke synes, du er tilstrækkeligt kvalificeret for.

Grundlæggende sikkerhedsregler



Hold øje med omgivelserne:

- For at du kan være sikker på, at hverken mennesker, dyr eller andet kan påvirke din kontrol over maskinen.
 - For at sikre at hverken mennesker, dyr eller andet risikerer at komme i kontakt med skæreudstyret eller løse genstande, som slynges væk af skæreudstyret.
 - BEMÆRK! Brug aldrig maskinen uden mulighed for at kunne tilkalde hjælp i tilfælde af en ulykke.
- 1 Undgå anvendelse i dårligt vejr. F.eks. i tæt tåge, kraftig regn, hård vind og kraftig kulde osv. At arbejde i dårligt vejr er trættende og kan skabe farlige situationer, f.eks. glat underlag.
 - 2 Sørg for, at du kan gå og stå sikkert. Kig efter eventuelle forhindringer ved en uventet retrætte (rødder, sten, grene, huller, grøfter osv.). Vær meget forsigtig ved arbejde i skrånende terræn.



- 3 Under transport skal motoren slukkes.
- 4 Stil aldrig maskinen ned på jorden med motoren i drift, uden at du har den under opsyn.
- 5 Skæreværktøjet skal rotere væk fra føreren. Arbejd aldrig med værktøjet imod føreren, da dette kan forårsage alvorlig personskade.

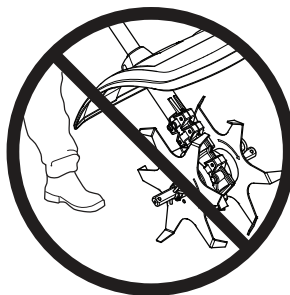
Grundlæggende arbejdsteknik



- Sørg altid for, at du har en sikker og stabil arbejdsposition.
- Brug altid begge hænder til at holde maskinen. Hold maskinen på højre side af kroppen.



- Pas på, at hænder og fødder ikke kommer i nærheden af kniven, når motoren er i gang.



- Hold altid knivene tæt på jorden.
- Lad motoren gå i tomgang efter hvert arbejdsmoment. Køres motoren i lang tid ved fulde omdrejninger, uden at motoren belastes (dvs. uden den modstand, som motoren udsættes for via skæreudstyret ved arbejde med maskinen), kan det give alvorlig motorskade.
- Pas på, når du trækker kultivatoren ind mod dig selv under arbejdet.
- Hvis der opstår kraftige vibrationer, skal du øjeblikkeligt standse motoren. Fjern tændrørskablet fra tændrøret. Kontrollér, at maskinen ikke er beskadiget. Reparer eventuelle skader.



ADVARSEL! Nogle gange sætter græs og sten sig fast i knivene. Afbryd altid motoren i forbindelse med rengøring.

SIKKERHEDSINSTRUKTIONER



ADVARSEL! Pas på udslyngede genstande. Brug altid øjenværn. Læn dig aldrig ind over skæreudstyrets beskyttelse. Sten, skidt m.m. kan kastes op i øjnene og forårsage blindhed eller alvorlige skader.

Hold uvedkommende på afstand. Børn, dyr, tilskuere og medhjælpere skal befinde sig uden for sikkerhedszonen på 15 meter. Stands omgående maskinen, hvis nogen nærmer sig.

Under og et stykke tid efter anvendelse kan gearet være varmt. Der er derfor risiko for forbrændinger ved kontakt.

Sikkerhedsinstruktioner efter arbejdets ophør

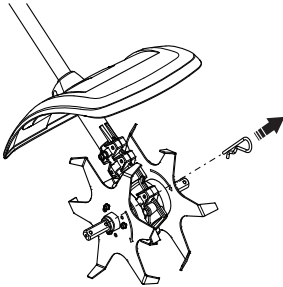


- Inden rengøring, reparation eller inspektion skal du kontrollere, at skæreudstyret er standset helt. Fjern tændrørskablet fra tændrøret.
- Anvend kraftige handsker, når du reparerer kultivatoren.
- Brug kun originale reservedele ved reparation.
- Opbevar maskinen utilgængeligt for børn.

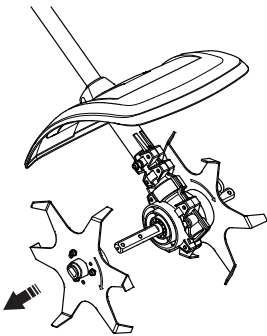
Udskiftning af klingerne



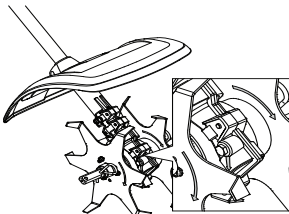
Løsn låsestiften.



Afmonter kniv sættet fra gearhusets udgangsaksel.



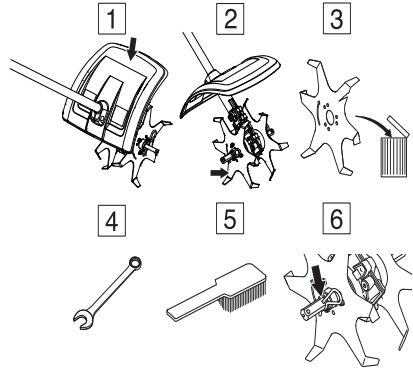
Monter kniv sættet på gearhusets udgående aksel. Kontrollér, at rotationsretningen er i overensstemmelse med knivene og gearet. Pilene skal pege i samme retning.



Vedligeholdelsesskema

Nedenfor følger nogle generelle vedligeholdelsesinstruktioner. Hvis du har brug for yderligere oplysninger, kan du kontakte serviceværkstedet.

Dagligt eftersyn



- 1 Kontrollér, at beskyttelsen er intakt og fri for revner. Udskift beskyttelsen, hvis den har været udsat for slag eller har revner.
- 2 Kontrollér, at knivene ikke bevæger sig ved tomgang.
- 3 Kontrollér, at knivene er intakte og ikke har revner eller andre skader. Skift knivene om nødvendigt.
- 4 Kontrollér, at skruer og møtrikker er spændte.
- 5 Rengør maskinen udvendigt.
- 6 Kontrollér, at stifterne og hårnålesplitterne er ubeskadigede og fastgjort korrekt.

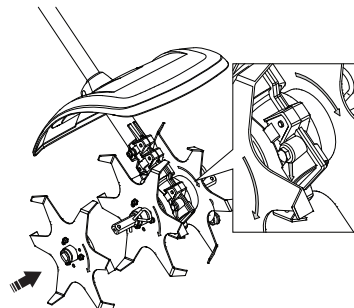
Transport og opbevaring

- Under eventuel transport skal du altid anvende godkendte anordninger for fastspænding og sørge for, at maskinen er godt fastgjort.
- Sørg for, at maskinen er ordentligt rengjort, og at der er udført fuldstændig service, inden langtidsopbevaring.

Ekstraudstyr

2x knive

Monter kniv sættet på gearhusets udgående aksel. Kontrollér, at rotationsretningen er i overensstemmelse med knivene og gearet. Pilene skal pege i samme retning.



TEKNISKE DATA

Tekniske data

Tekniske data **CA230**

Vægt

Vægt, kg	2,9
2x knive	2,8
4x knive (ekstraudstyr)	3,7

Mål, mm

2x knive	140
4x knive (ekstraudstyr)	235

Støjemissioner

(se anm. 1)

Lydeffektniveau, målt dB(A)	105
Lydeffektniveau, garanteret L_{WA} dB(A)	109

Lydniveauer

(se anm. 2)

Ækvivalent lydtryksniveau ved brugerens ører målt i henhold til EN ISO 22868, dB(A):

Udstyret med godkendt tilbehør (original)	92,4
-------------------------------------------	------

Vibrationer

(se anm. 3)

Ækvivalente vibrationsniveauer ($a_{HV,eq}$) i håndtag målt i henhold til EN ISO 22867, m/s^2

Udstyret med godkendt tilbehør (original), venstre/højre	4,2/6,1
----------------------------------------------------------	---------

Anm. 1: Emission af støj til omgivelserne målt som lydeffekt (L_{WA}) i henhold til Rådets direktiv 2000/14/EF. Rapporeret lydeffektniveau for maskinen er målt med det originale skæreudstyr, der giver det højeste niveau. Forskellen mellem garanteret og målt lydeffekt er, at den garanterede lydeffekt også omfatter spredning i måleresultatet og variationerne mellem forskellige maskiner af samme model i henhold til direktivet 2000/14/EF.

Anm. 2: Rapporerede data for ækvivalent lydtryksniveau for maskinen har en typisk statistisk spredning (standardafvigelse) på 1 dB (A).

Anm. 3: Rapporerede data for et ækvivalent vibrationsniveau har en typisk statistisk spredning (standardafvigelse) på 1 m/s^2 .

CA230		
Godkendt tilbehør	Type	Beskyttelse
Kultivator kapmaskine	4 klinger	

EF-overensstemmelseserklæring (Gælder kun Europa)

Vi, **Husqvarna AB**, SE-561 82 Huskvarna, Sverige, tlf: +46-36-146500, erklærer hermed, at kultivator tilbehør **Husqvarna CA230** fra 2015 årgangsserienummer og fremad (året angives i klartekst på typeskiltet plus et efterfølgende serienummer), opfylder forskrifterne i RÅDETS DIREKTIV:

- af den 17. maj 2006 "angående maskiner" **2006/42/EF**.

Følgende standarder er opfyldt: ISO 11449:1994

SMP Svensk Maskinprovning AB, Box 7035, SE-750 07 Uppsala, Sverige har udført frivillig EU-typekontrol for Husqvarna AB. Certifikaterne har nummer: **SEC/14/2415**

Huskvarna, 20. april 2015



Per Gustafsson, udviklingschef (Autoriseret repræsentant for Husqvarna AB og ansvarlig for teknisk dokumentation.)

SYMBOLFORKLARING

Symboler

ADVARSEL!

En jordfreser kan være et farlig redskap hvis den brukes feilaktig eller uforsiktig, og det kan resultere i alvorlige skader eller dødsfall for brukeren og andre. Det er meget viktig at du leser og forstår innholdet i denne bruksanvisningen.

Les nøye gjennom bruksanvisningen og forstå innholdet før du bruker maskinen.



Bruk alltid:

- Godkjent hørselsvern
- Vernebriller eller visir
- Åndedrettsvern skal brukes når det er risiko for støv.



Dette produktet er i overensstemmelse med gjeldende CE-direktiv.



Advarsel om roterende kniv. Pass på hender og føtter. Pilen angir rotasjonsretning.



Bruker av maskinen skal sørge for at ikke mennesker eller dyr kommer nærmere enn 15 meter mens arbeidet pågår.



Bruk alltid godkjente vernehansker.



Bruk sklisikre og solide støvler.



Hold alle deler av kroppen borte fra varme overflater.



Se opp for gjenstander som slynges ut og rikosjetterer.

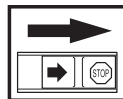


Støyutslipp til omgivelsene ifølge EFs direktiv. Maskinens utslipp angis i kapitlet Tekniske data og på klistremerke.

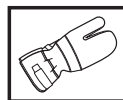


Øvrige symboler/klistremerker angitt på maskinen gjelder spesifikke krav for sertifiseringer på visse markeder.

Kontroll og/eller vedlikehold skal utføres med avslått motor og med stoppbryteren i STOP-stilling.



Bruk alltid godkjente vernehansker.



INNHold

Innhold

SYMBOLFORKLARING

Symboler 32

INNHold

Innhold 33

Før start må man legge merke til følgende: 33

HVA ER HVA?

Hva er hva på kultivatortillegget? 34

SIKKERHETSINSTRUKSJONER

Personlig verneutstyr 35

Maskinens sikkerhetsutstyr 35

Generelle sikkerhetsinstruksjoner 37

Generelle arbeidsinstruksjoner 38

VEDLIKEHOLD

Skifte knivene 40

Vedlikeholdsskjema 40

TEKNISKE DATA

Tekniske data 41

EF-erklæring om samsvar 41

Før start må man legge merke til følgende:

Husqvarna AB arbeider løpende med å videreutvikle sine produkter, og forbeholder seg derfor retten til endringer vedrørende bl.a. form og utseende uten varsel.

Langvarig eksponering overfor støy kan gi varige hørselsskader. Bruk derfor alltid godkjent hørselsvern.

Les nøye gjennom bruksanvisningen og forstå innholdet før du bruker maskinen.

Denne bruksanvisningen er et supplement til bruksanvisningen som følger med maskinen. Når det gjelder øvrig bruk, viser vi til maskinens bruksanvisning.



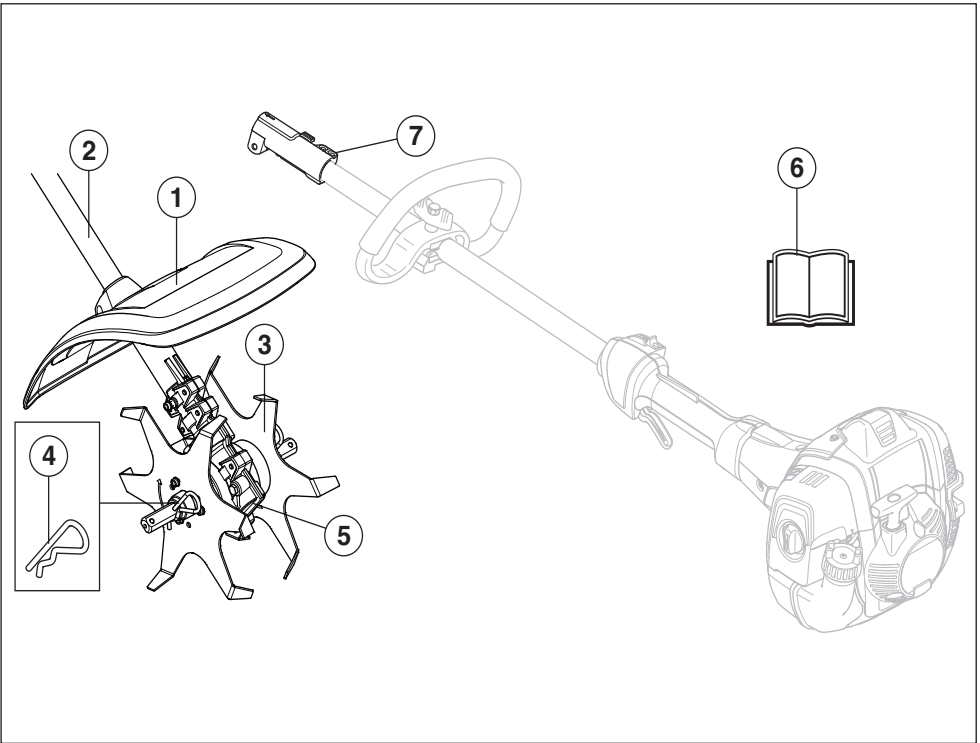
ADVARSEL! Maskinens opprinnelige konstruksjon må ikke under noen omstendighet endres uten produsentens tillatelse. Bruk alltid originalt tilleggsutstyr. Uautoriserte endringer og/eller tilleggsutstyr kan medføre alvorlige skader eller dødsfall for brukeren eller andre.



ADVARSEL! Dette tilbehøret må kun brukes sammen med de ryddesager/trimmere som det er produsert for, se under overskriften "Godkjente tilbehør" i kapittelet "Tekniske data" i maskinens bruksanvisning.

Maskinen er bare konstruert for kultivering.

HVA ER HVA?



Hva er hva på kultivatortillegget?

- | | | | |
|---|-----------------|---|------------------------------------------------|
| 1 | Knivbeskyttelse | 5 | Girhus |
| 2 | Riggrør | 6 | Bruksanvisning |
| 3 | Kniver | 7 | Riggrørkopling (Tilhører grunnleggende maskin) |
| 4 | Låsesplint | | |

SIKKERHETSINSTRUKSJONER

Personlig verneutstyr



ADVARSEL! Ved all bruk av maskinen skal det brukes godkjent personlig verneutstyr. Personlig verneutstyr eliminerer ikke skaderisikoen, men det reduserer virkningen av en skade hvis ulykken skulle være ute. Be forhandleren om hjelp ved valg av utstyr. Les nøye gjennom bruksanvisningen og forstå innholdet før du bruker maskinen.

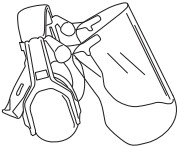


ADVARSEL! Vær alltid oppmerksom på varsignaler eller tilrop ved bruk av hørselsvern. Ta alltid av hørselsvernet så snart motoren er stanset.

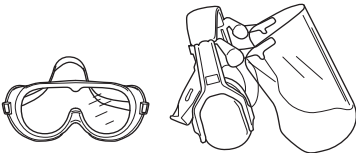
- Hansker skal brukes ved behov.



- Hørselsvern med tilstrekkelig lydempende virkning skal brukes.



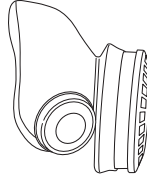
- Godkjent øyevern skal alltid brukes. Ved bruk av visir skal det også brukes godkjente vernebriller. Godkjente vernebriller er slike som tilfredsstillende standard ANSI Z87.1 for USA eller EN 166 for EU-land. Slag fra greiner eller gjenstander som blir kastet i vei kan skade øynene.



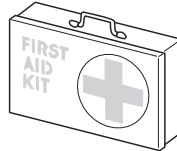
- Bruk sklisliske og solide støvler.



- Bruk alltid kraftige langbukser, støvler, hansker og en langermet skjorte. For å redusere faren for skader som er forbundet med gjenstander som trekkes inn i roterende deler, må du ikke bruke løstsittende klær, skjert, smykker ol. Sett opp håret til over skulderlengde.
- Åndedrettsvern skal brukes når det er risiko for støv.



- Førstehjelpsutstyr må alltid finnes for hånden.



Maskinens sikkerhetsutstyr

I dette avsnittet forklares hvilket sikkerhetsutstyr maskinen er utstyrt med, hvilken funksjon det har og hvordan man utfører kontroll og vedlikehold for å være sikker på at utstyret fungerer. Se kapitlet Hva er hva? for å se hvor disse delene er plassert på din maskin.

Maskinens levetid kan forkortes og risikoen for ulykker kan øke dersom vedlikehold av maskinen ikke utføres på riktig måte og dersom service og/eller reparasjoner ikke er fagmessig utført. Kontakt nærmeste serviceverksted dersom du trenger ytterligere opplysninger.

VIGTIG! Ved all bruk av maskinen skal det brukes godkjent personlig verneutstyr. Personlig verneutstyr eliminerer ikke skaderisikoen, men det reduserer virkningen av en skade hvis ulykken skulle være ute. Be forhandleren om hjelp ved valg av utstyr.



ADVARSEL! Bruk aldri en maskin med defekte sikkerhetsdetaljer. Følg de kontroll-, vedlikeholds og serviceinstruksjonene som er gitt i dette avsnittet.

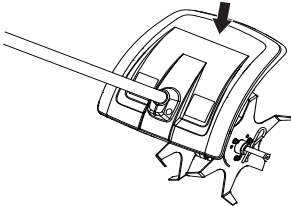
SIKKERHETSINSTRUKSJONER

Vern for skjæreutstyr



Denne skjermen skal hindre at løse gjenstander slynges ut mot brukeren. Skjermen hindrer også brukeren i å komme i kontakt med skjæreutstyret.

- Kontroller at skjermen er uskadd og fri for sprekkdannelser.

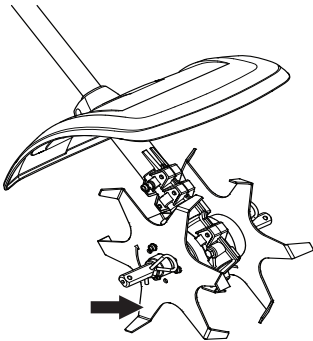


- Skift skjerm hvis den er blitt utsatt for slag eller har sprekker.

Skjæreutstyr



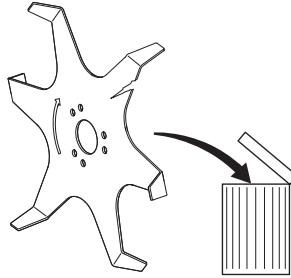
Knivene er konstruert og bearbeidet for å tåle de belastninger kultivering innebærer.



De to grunnreglene:

- 1 Bruk bare skjæreutstyr sammen med den beskyttelsen vi anbefaler!

- 2 Kontroller skjæreutstyret med henblikk på skader og sprekkdannelse. Skadet skjæreutstyr må alltid skiftes.



ADVARSEL! Stopp alltid motoren før du gjør noe som helst arbeid på tilbehøret. Deler kan fortsette å bevege seg selv etter at gassen slippes. Kontroller at tilbehøret har stanset helt, og koble kablen fra tennpluggen før du gjør noe arbeid på det.



ADVARSEL! Bruk aldri en maskin med defekt sikkerhetsutstyr. Maskinens sikkerhetsutstyr skal kontrolleres og vedlikeholdes som beskrevet i dette avsnittet. Hvis maskinen ikke består alle kontrollene, må serviceverksted oppsøkes for reparasjon.

Generelle sikkerhetsinstruksjoner

VIGTIG!

Maskinen skal bare brukes til det den er beregnet på. Maskinen er bare konstruert for kultivering.

Bruk aldri maskinen hvis du er trett, har drukket alkohol eller bruker medisiner som kan påvirke syn, vurderingsevne eller kroppskontroll.

Bruk personlig verneutstyr. Se anvisninger under overskriften "Personlig verneutstyr".

Bruk aldri en maskin som er modifisert slik at den ikke lenger er i samsvar med originalutførelsen.

Bruk aldri maskinen i ekstreme klimaforhold som sterk kulde eller meget varmt og/eller fuktig klima.

Bruk aldri en maskin som det er noe galt med. Utfør sikkerhetskontrollene og vedlikeholds- og serviceinstruksjonene i denne bruksanvisningen. Noen vedlikeholds- og servicetiltak må utføres av erfarne og kvalifiserte spesialister. Se instruksjonene under overskriften Vedlikehold.



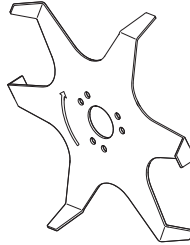
ADVARSEL! Feil på knivene kan øke risikoen for ulykker.

- Tillat aldri barn å bruke maskinen.
- Påse at ingen kommer nærmere enn 15 m mens arbeidet pågår.
- La aldri noen annen bruke maskinen før du har forsikret deg om at de har forstått innholdet i bruksanvisningen.
- Kultivering må bare utføres i dagslys eller med god belysning.

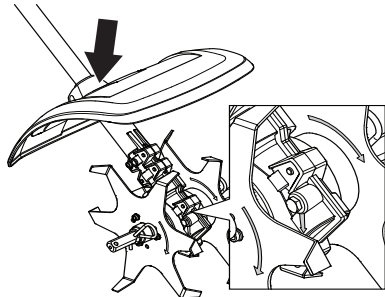
Sikkerhetsinstruksjoner før start

- Inspiser arbeidsområdet. Fjern alle løse gjenstander som steiner, knust glass, spiker, ståltråd, snører og lignende, som kan slynges av sted eller surre seg inn i kniven eller i knivbeskyttelsen.
- Hold uvedkommende på avstand. Barn, dyr, tilskuere og medhjelpere skal befinne seg utenfor sikkerhetssonen på 15 m. Stans maskinen umiddelbart hvis noen nærmer seg.
- Kontroller hele maskinen før start. Skift ut deler som er skadet. Kontroller at ikke brennstoff lekker ut og at alle skjermene og deksler er hele og godt festet. Kontroller alle skruer og muttere.

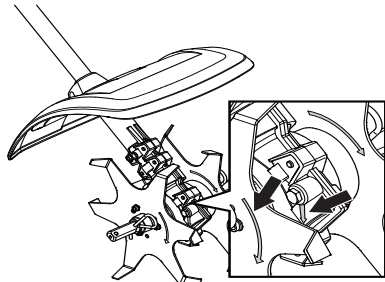
- Kontroller at knivene er uskadd og ikke har noen sprekker eller andre skader. Skift om nødvendig knivene.



- Påse at knivbeskyttelsen er montert og uskadd.



- Kontroller at knivene og knivbeskyttelsen er ordentlig festet. Kontroller at retningen på rotasjonen samsvarer med kappene og pilen på utstyret. Pilene må peke i samme retning.



- Kontroller at knivene ikke beveger seg på tomgang.
- Sørg for at håndtak og sikkerhetsfunksjon er i orden. Bruk aldri en maskin som mangler deler eller er endret utenom spesifikasjonen.
- Maskinen skal bare brukes til det den er beregnet på.

Ved kaldstart:

- Kjør den grunnleggende maskinen varm, og slå den deretter av.
- Fest tilbehøret i henhold til instruksjonene.

SIKKERHETSINSTRUKSJONER

Generelle arbeidsinstruksjoner

VIGTIG!

Denne delen omhandler grunnleggende sikkerhetsregler for arbeid med kultivator.

Når du kommer ut for en situasjon som gjør deg usikker på fortsatt bruk, skal du rådføre deg med en ekspert. Henvend deg til din forhandler eller ditt serviceverksted. Unngå all bruk som du ikke føler deg kvalifisert til!

Grunnleggende sikkerhetsregler



Pass på omgivelsene:

- For å være sikker på at ikke mennesker, dyr eller annet kan påvirke din kontroll over maskinen.
 - For å sikre at ikke mennesker, dyr eller annet risikerer å komme i kontakt med skjæreutstyret eller løse gjenstander som slynges i vei av skjæreutstyret.
 - OBS! Bruk aldri maskinen uten mulighet til å kunne påkalle hjelp ved en ulykke.
- 1 Unngå bruk i dårlig vær. Slik som tett tåke, kraftig regn, sterk vind, kraftig kulde osv. Å arbeide i dårlig vær er slitsomt og kan skape farlige omstendigheter, for eksempel glatt underlag.
 - 2 Sørg for at du kan gå og stå sikkert. Se etter eventuelle hinder ved uventet forflytting (røtter, steiner, greiner, groper, forhøyninger osv). Vær meget forsiktig ved arbeid i skrånende terreng.



- 3 Ved forflytting skal motoren slås av.
- 4 Sett aldri maskinen ned med motoren i gang uten at du har den under oppsikt.
- 5 Kapperedskapet må ha kjøretretning vekk fra den som bruker det. Jobb aldri med redskapet mot deg, da det kan føre til alvorlige skader.

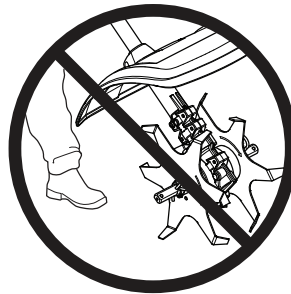
Grunnleggende arbeidsteknikk



- Pass alltid på at du har en sikker og stødig arbeidsstilling.
- Bruk alltid begge hendene til å holde i maskinen. Hold maskinen på høyre side av kroppen.



- Pass på at ikke hender og føtter kommer i kontakt med kniven når motoren er i gang.



- Hold alltid knivene nær bakken.
- Still motoren ned på tomgangsturtall etter hvert arbeidsmoment. Lengre tids full gass uten at motoren belastes (dvs. uten den motstanden motoren får fra skjæreutstyret ved arbeid med maskinen) kan føre til alvorlig motorskade.
- Vær ekstra oppmerksom når du trekker kultivatoren mot deg under arbeid.
- Hvis det oppstår kraftige vibrasjoner, stans maskinen. Kople tennkabelen fra tennpluggen. Kontroller at maskinen ikke er skadet. Reparer eventuelle skader.



ADVARSEL! Iblant setter det seg fast gress eller steiner i knivene. Stans alltid motoren ved rengjøring.

SIKKERHETSINSTRUKSJONER



ADVARSEL! Se opp for gjenstander som slynges ut. Bruk alltid øyevern. Bøy deg aldri over skjærestyrets vern. Steiner, skrot o.l. kan kastes opp i øynene og forårsake blindhet eller alvorlige skader.

Hold uvedkommende på avstand. Barn, dyr, tilskuere og medhjelpere skal befinne seg utenfor sikkerhetssonen på 15 m. Stans maskinen umiddelbart hvis noen nærmer seg.

Giret kan være varmt en stund under og etter bruk. Det er risiko for brannskade ved berøring.

Sikkerhetsinstruksjoner etter arbeidets slutt

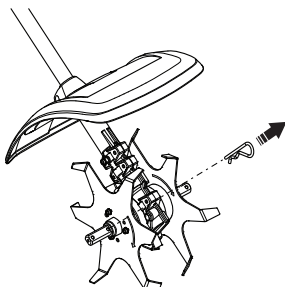


- Før rengjøring, reparasjon eller inspeksjon skal du kontrollere at skjærestyret har stanset. Kople tennpluggkabelen fra tennpluggen.
- Bruk kraftige hansker ved reparasjon av kultivatoren.
- Bruk bare originalreservedeler ved reparasjon.
- Oppbevar maskinen utilgjengelig for barn.

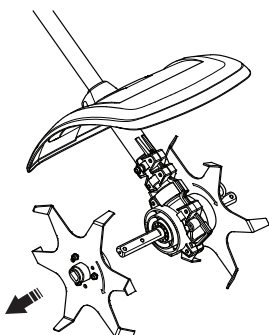
Skifte knivene



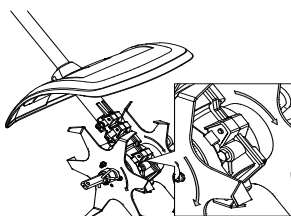
Løse splinten.



Fjern kappepakken fra girhusets utgående aksel.



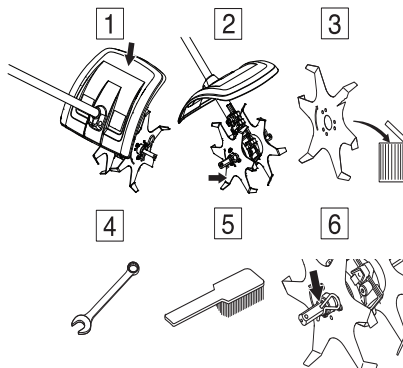
Monter kappepakken på girhusets utgående aksel. Kontroller at retningen på rotasjonen samsvarer med kapperne og pilen på utstyret. Pilene må peke i samme retning.



Vedlikeholdsskjema

Nedenfor følger noen generelle vedlikeholdsinstruksjoner. Kontakt serviceverkstedet dersom du trenger ytterligere opplysninger.

Daglig ettersyn



- 1 Kontroller at vernet er uskadd og fritt for sprekkdannelser. Skift vernet hvis det er blitt utsatt for slag eller har sprekker.
- 2 Kontroller at knivene ikke beveger seg på tomgang.
- 3 Kontroller at knivene er uskadd og ikke har noen sprekker eller andre skader. Skift om nødvendig knivene.
- 4 Kontroller at skruer og mutre er trukket til.
- 5 Rengjør maskinen utvendig.
- 6 Kontroller at splittpinnene og splintene er uskadet, og at de er riktig festet.

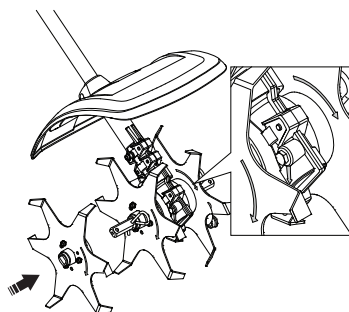
Transport og oppbevaring

- Ved eventuell transport skal du alltid bruke godkjente fastspenningsanordninger og påse at maskinen er ordentlig forankret.
- Påse at maskinen er ordentlig rengjort og at fullstendig service er utført før langtids oppbevaring.

Valgfritt tilbehør

2x kappere

Monter kappepakken på girhusets utgående aksel. Kontroller at retningen på rotasjonen samsvarer med kapperne og pilen på utstyret. Pilene må peke i samme retning.



TEKNISKE DATA

Tekniske data

Tekniske data **CA230**

Vekt

Vekt, kg	2,9
2x kappere	2,8
4x kappere	3,7

Mål, mm

2x kappere	140
4x kappere	235

Støyutslipp

(se anm. 1)

Lydeffektnivå, mål dB(A)	105
Lydeffektnivå, garantert L_{WA} dB(A)	109

Ljudnivåer

(se anm. 2)

Ekvivalent lydtrykksnivå ved brukerens øre, målt etter EN ISO 22868, dB(A):

Utstyrt med godkjent tilbehør (original)	92,4
------------------------------------------	------

Vibrasjoner

(se anm. 3)

Ekvivalente vibrasjonsnivåer ($a_{hv,eq}$) i håndtak, målt i henhold til EN ISO 22867, m/s^2

Utstyrt med godkjent tilbehør (original), venstre/høyre	4,2/6,1
---------------------------------------------------------	---------

Merknad 1: Utslipp av støy til omgivelsene målt som lydeffekt (L_{WA}) ifølge EF-direktiv 2000/14/EC. Rapporterte lydeffektnivåer for maskinen er målt med det originale skjæreutstyret som gir høyest nivå. Forskjellen mellom garantert og målt lydeffekt er at garantert lydeffekt også omfatter spredning i måleresultatet og variasjoner mellom forskjellige maskiner av samme modell, i henhold til direktivet 2000/14/EC.

Merknad 2: Rapporterte data for ekvivalent lydtrykksnivå for maskinen har en typisk statistisk spredning (standard avvik) på 1 dB (A).

Merknad 3: Rapporterte data for ekvivalent vibrasjonsnivå har en typisk statistisk spredning (standard avvik) på 1 m/s^2 .

CA230		
Godkjent tilbehør	Type	Beskyttelse
Jordfreserkapper	4x kniver	

EF-erklæring om samsvar (Gjelder kun Europa)

Vi, **Husqvarna AB**, SE-561 82 Huskvarna, Sverige, tlf.: +46- 36-146500, erklærer at jordfresertilbehøret **Husqvarna/ Jonsered CA230** samsvarer med kravene i RÅDSDIREKTIV:

- fra 17. mai 2006, "angående maskiner" **2006/42/EC**.

Følgende standarder er blitt tillempet: ISO 11449:1994

SMP Svensk Maskinprovning AB, Box 7035, SE-750 07 Uppsala, Sverige, har utført frivillig typeprøving for Husqvarna AB. Sertifikatene har nummer: **SEC/14/2415**

Huskvarna, 20. april 2015



Per Gustafsson, Utviklingssjef (Autorisert representant for Husqvarna AB og ansvarlig for teknisk dokumentasjon.)

MERKKIEN SELITYKSET

Tunnukset

VAROITUS!

Jyrsin voi virheellisesti tai huolimattomasti käytettynä olla vaarallinen työväline, joka saattaa aiheuttaa käyttäjälle tai sivullisille vakavia vammoja tai hengenvaaran. On erittäin tärkeää, että luet ja ymmärrät tämän käyttöohjeen sisällön.

Lue käyttöohje huolellisesti ja ymmärrä sen sisältö, ennen kuin alat käyttää konetta.

Käytä aina:

- Hyväksytyjä kuulonsuojaimia
- Suojalasit tai visiiri
- Hengityksensuojainta on käytettävä, jos on olemassa pölyvaara.

Tämä tuote täyttää voimassa olevan CE-direktiivin vaatimukset.

Varoitus pyörivistä teristä. Varo käsiä ja jalkoja. Nuoli ilmoittaa pyörimissuunnan.

Koneen käyttäjän on varmistettava, etteivät ihmiset ja eläimet tule työn aikana 15 metriä lähemmäksi.

Käytä aina hyväksytyjä suojakäsineitä.

Käytä luistamattomia ja tukevia jalkineita.

Pidä kaikki kehon osat poissa kuumilta pinnoilta.



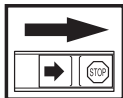
Varo sinkoutuvia esineitä ja kimmokkeita.



Melupäästöt ympäristöön Euroopan yhteisön direktiivin mukaisesti. Koneen päästöt ilmoitetaan luvussa Tekniset tiedot ja arvokilvessä.

Muita koneen tunnuksia/tarroja tarvitaan tietyillä markkina-alueilla ilmaisemaan erityisiä sertifiointivaatimuksia.

Tarkastus ja/tai huolto on suoritettava moottori sammutettuna ja pysäytin asennossa STOP.



Käytä aina hyväksytyjä suojakäsineitä.



SISÄLTÖ

Sisältö

MERKKIEN SELITYKSET

Tunnukset 42

SISÄLTÖ

Sisältö 43

Ennen käynnistystä on huomioitava seuraavaa: ... 43

KONEEN OSAT

Maanmuokkauslaitteen osat 44

TURVAOHJEET

Henkilökohtainen suojavarustus 45

Koneen turvalaitteet 45

Yleiset turvaohjeet 47

Yleiset työohjeet 48

KUNNOSSAPITO

Terien vaihtaminen 50

Huoltokaavio 50

TEKNISET TIEDOT

Tekniset tiedot 51

EY-vaatimustenmukaisuusvakuutus 51

Ennen käynnistystä on huomioitava seuraavaa:

Husqvarna AB kehittää jatkuvasti tuotteitaan ja pidättää siksi itselleen oikeuden mm. muotoa ja ulkonäköä koskeviin muutoksiin ilman ennakoilmoitusta.

Pitkäaikainen altistuminen melulle saattaa aiheuttaa pysyviä kuulovammoja. Käytä siksi aina hyväksytyjä kuulonsuojaimia.

Lue käyttöohje huolellisesti ja ymmärrä sen sisältö, ennen kuin alat käyttää konetta.

Tämä käyttöohje täydentää koneen mukana toimitettua käyttöohjetta. Katso muut ohjeet koneen käyttöohjeesta.



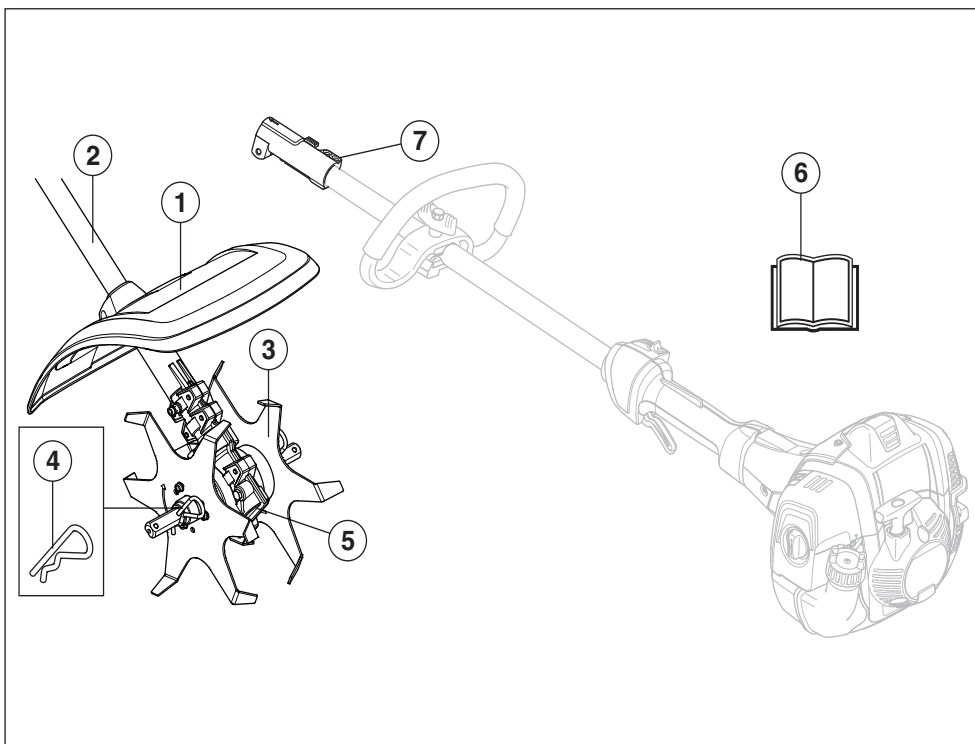
VAROITUS! Koneen alkuperäistä rakennetta ei missään tapauksessa saa muuttaa ilman valmistajan lupaa. Käytä aina alkuperäisiä varaosia. Hyväksymättömien muutosten ja/tai lisävarusteiden käyttö voi aiheuttaa käyttäjälle tai muille vakavia vahinkoja tai kuoleman.



VAROITUS! Tätä lisävarustetta saa käyttää vain vastaavaan työhön tarkoitetuissa raivaussahoissa/trimmeissä, ks. koneen käyttöohjeen luvusta "Tekniset tiedot" kohta "Hyväksytyt lisävarusteet".

Kone on tarkoitettu ainoastaan maanmuokkaukseen.

KONEEN OSAT



Maanmuokauslaitteen osat

- | | | | |
|---|-------------|---|------------------------------------------------------|
| 1 | Teränsuojus | 5 | Vaihte |
| 2 | Runkoputki | 6 | Käyttöohje |
| 3 | Veitsiterät | 7 | Runkoputken liitin (kuuluu koneen vakiovarusteisiin) |
| 4 | Saksisokka | | |

Henkilökohtainen suojavarustus



VAROITUS! Konetta käytettäessä on aina pidettävä hyväksytyjä henkilökohtaisia suojavarusteita. Henkilökohtaiset suojavarusteet eivät poista tapaturmien vaaraa, mutta lieventävät vaurioita onnettomuustilanteessa. Pyydä jälleenmyyjältä apua varusteiden valinnassa. Lue käyttöohje huolellisesti ja ymmärrä sen sisältö, ennen kuin alat käyttää konetta.

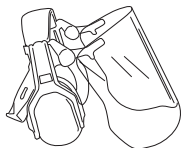


VAROITUS! Tarkkaile aina varoitussignaaleja tai -huutoja kuulonsuojaimia käyttäessäsi. Riisu kuulonsuojaimet välittömästi moottorin pysäytyksen jälkeen.

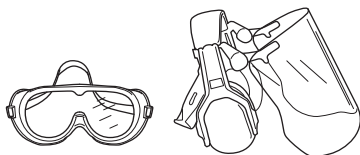
- Käytä käsineitä aina tarvittaessa.



- Käytä riittävän tehokkaasti vaimentavia kuulonsuojaimia.



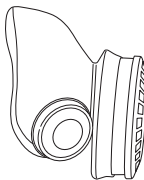
- Hyväksyttäviä silmiensuojaimia on aina käytettävä. Visiiriä käytettäessä on käytettävä myös hyväksytyjä suojalaseja. Hyväksytyillä suojalaseilla tarkoitetaan laseja, jotka täyttävät standardin ANSI Z87.1 (USA) tai EN 166 (EU-maat) vaatimukset. Oksien aiheuttamat iskut tai sinkoutuvat esineet voivat vahingoittaa silmiä.



- Käytä luistamattomia ja tukevia jalkineita.



- Käytä aina paksukankaisia pitkiä housuja, saappaita, käsineitä ja pitkähihaista paitaa. Älä käytä löysiä vaatteita, huiveja, koruja tai muita vastaavia asusteita, jotta ne eivät joudu pyöriviin osiin ja näin aiheuta loukkaantumisia. Sido hiukset olkapäiden korkeuden yläpuolelle.
- Hengityksensuojainta on käytettävä, jos on olemassa pölyvaara.



- Ensiapulaukun on aina oltava lähellä.



Koneen turvalaitteet

Tässä osassa selostetaan koneen turvalaitteet ja niiden toiminta ja annetaan tarkastus- ja kunnossapito-ohjeet, joilla varmistetaan niiden toimivuus. Katso luvusta Koneen osat, missä nämä koneet sijaitsevat koneessasi.

Koneen käyttöikä voi lyhentyä ja onnettomuusriski kasvaa, jos koneen kunnossapitoa ei suoriteta oikealla tavalla ja jos huoltoa ja/tai korjauksia ei tehdä ammattitaitoisesti. Jos tarvitset lisäohjeita, ota yhteys huoltokorjaamoon.

TÄRKEÄÄ! Konetta käytettäessä on aina pidettävä hyväksytyjä henkilökohtaisia suojavarusteita. Henkilökohtaiset suojavarusteet eivät poista tapaturmien vaaraa, mutta lieventävät vaurioita onnettomuustilanteessa. Pyydä jälleenmyyjältä apua varusteiden valinnassa.



VAROITUS! Älä koskaan käytä konetta, jonka turvalaitteet ovat vialliset. Noudata tässä osassa lueteltuja tarkastus-, kunnossapito- ja huolto-ohjeita.

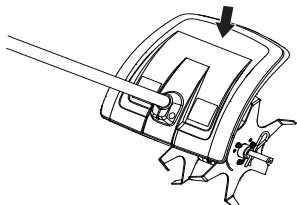
TURVAOHJEET

Terälaitteen suojus



Tämä suojus on tarkoitettu estämään irtonaisia esineitä sinkoutumasta käyttäjää kohti. Suojus estää myös käyttäjää koskettamasta terälaitteeseen.

- Tarkasta, että suojus on ehjä ja ettei siinä ole halkeamia.

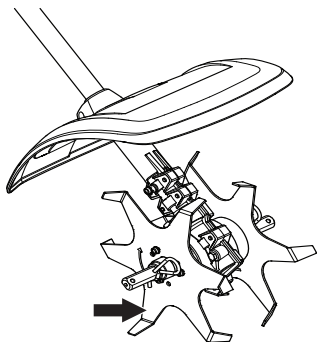


- Vaihda suojus, jos siihen on kohdistunut iskuja tai siinä on halkeamia.

Terälaite



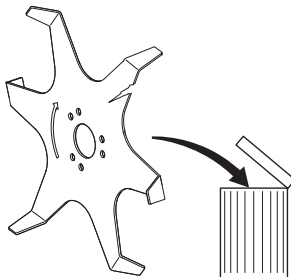
Terät on suunniteltu ja työstetty kestämään maanmuokkauksen aiheuttama kuormitus.



Kaksi perussääntöä ovat:

- 1 Käytä leikkuusäläitteitä vain suositeltujen suojien kanssa!

- 2 Tarkasta terälaite vaurioiden ja halkeamien varalta. Vaurioitunut terälaite on aina vaihdettava.



VAROITUS! Sammuta aina moottori, ennen kuin käsittelet mitään laitteen osaa. Laite voi jatkaa liikkumista kaasuliipaisimen vapauttamisen jälkeen. Varmista, että laite on täysin pysähtynyt ja irrota johdot sytytystulpasta, ennen kuin alat käsitellä laitetta.



VAROITUS! Älä koskaan käytä konetta, jos sen turvalaitteet ovat rikki. Koneen turvalaitteet on tarkastettava ja pidettävä kunnossa tässä osassa esitetyllä tavalla. Jos koneessasi ilmenee tarkastettaessa puutteita, se on toimitettava huoltoliikkeeseen korjattavaksi.

Yleiset turvaohjeet

TÄRKEÄÄ!

Käytä konetta vain sille tarkoitettuihin töihin. Kone on tarkoitettu ainoastaan maanmuokkaukseen.

Älä koskaan käytä konetta, jos olet väsynyt, nauttinut alkoholia tai lääkkeitä, jotka voivat vaikuttaa näkökykyysi, harkintakykyysi tai kehosi hallintaan.

Käytä henkilökohtaisia suojavarusteita. Katso otsikon Henkilökohtainen suojavarustus alla annetut ohjeet.

Älä koskaan käytä konetta, jota on muutettu niin, ettei sen rakenne enää ole alkuperäinen.

Älä koskaan käytä konetta äärimmäisissä ilmastolosuhteissa, kuten kovassa pakkasessa tai erittäin lämpimässä ja/tai kosteassa ilmastossa.

Älä koskaan käytä viallista konetta. Noudata tässä käyttöohjeessa annettuja turvallisuustarkastuksia, kunnossapitoa ja huoltoa koskevia ohjeita. Tietyt kunnossapito- ja huoltotyöt on annettava koulutettujen ja pätevien asiantuntijoiden tehtäviksi. Katso ohjeet kohdasta Kunnossapito.



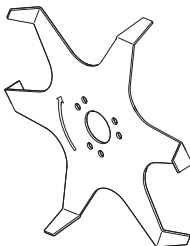
VAROITUS! Virheelliset veitsiterät voivat lisätä onnettomuuksien vaaraa.

- Älä koskaan anna lasten käyttää konetta.
- Pidä sivulliset vähintään 15 metrin päässä koneesta työn aikana.
- Älä koskaan anna kenenkään käyttää konetta varmistamatta ensin, että käyttäjä on ymmärtänyt käyttöohjeen sisällön.
- Jyrsi maata ainoastaan päivänvalossa tai muissa hyvin valaistuissa oloissa.

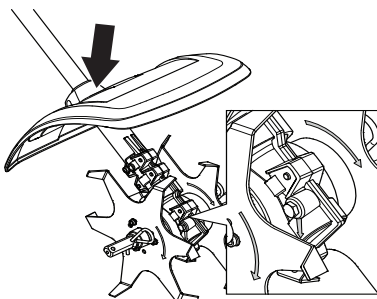
Turvaohjeet ennen käynnistystä

- Tarkasta työalue. Poista kaikki irtonaiset esineet, kuten kivet, lasinsirpaleet, naulat, teräslangat, narut ym. esineet, jotka voivat sinkoutua veitsiterästä tai tarttua siihen tai veitsiterän suojukseen.
- Pidä asiaankuulumattomat etäällä. Lasten, eläinten, katsojien ja avustajien on oltava 15 metrin turva-alueen ulkopuolella. Pysäytä kone välittömästi, jos joku lähestyy sitä.
- Tarkasta koko kone ennen käynnistystä. Vaihda vaurioituneet osat. Tarkasta, ettei koneesta vuoda polttoainetta ja että kaikki suojukset ja kotelot ovat kunnolla kiinni. Tarkasta kaikki ruuvit ja mutterit.

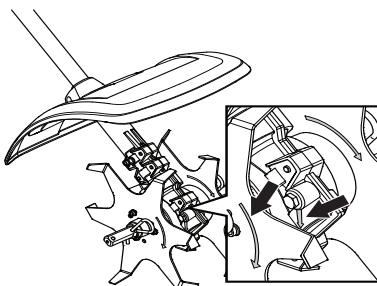
- Tarkasta, että terät ovat ehjät eikä niissä ole halkeamia tai muita vaurioita. Vaihda terät tarvittaessa.



- Varmista, että veitsiterän suojus on asennettu ja ehjä.



- Tarkasta, että terät ja teränsuojus ovat kunnolla kiinni. Varmista, että pyörimissuunta on sama leikkureissa ja vaihteessa. Nuolien on osoitettava samaan suuntaan.



- Tarkasta, etteivät veitsiterät liiku joutokäynnillä.
- Varmista, että kahvat ja turvatoiminto ovat kunnossa. Älä koskaan käytä konetta, jos siitä puuttuu jokin osa tai sitä on muutettu määräysten vastaisesti.
- Käytä konetta vain sille tarkoitettuihin töihin.

Kylmäkäynnistyksessä:

- Käytä kone lämpimäksi ja sammuta se.
- Kiinnitä lisävaruste asennusohjeiden mukaisesti.

Yleiset työohjeet

TÄRKEÄÄ!

Tässä osassa käsitellään maanmuokauslaitteen käyttöön liittyviä yleisiä turvamääräyksiä.

Kun joudut tilanteeseen, jossa trimmin käytön jatkaminen tuntuu epävarmalta, on sinun kysyttävä neuvoa asiantuntijalta. Käännä jälleenmyyjäsi tai huoltoliikkeesi puoleen.

Älä tee mitään sellaista, mihin et katso taitosi riittävän.

Yleiset turvamääräykset



Tarkkaile ympäristöä:

- Varmistaaksesi, etteivät ihmiset, eläimet tai muut tekijät pääse vaikuttamaan koneen hallintaan.
 - Varmistaaksesi, etteivät ihmiset, eläimet tai muut ole vaarassa joutua kosketuksiin terälaitteen tai terälaitteesta sinkoutuvien irtausten esineiden kanssa.
 - **HUOM!** Älä koskaan käytä konetta niin, ettei sinulla onnettomuustapauksessa ole mahdollisuutta kutsua apua.
- 1 Vältä käyttöä epäsuotuisissa sääoloissa. Esimerkiksi tiheässä sumussa, rankkasateessa, kovassa tuulella, pakkasessa jne. Huonossa säässä työskentely on väsyttävää ja voi aiheuttaa vaaratekijöitä, esimerkiksi tehdä alustasta liukkaan.
 - 2 Varmista, että voit siirtyä ja seisoa turvallisesti. Katso, onko äkilliselle siirtymiselle esteitä (juuria, kiviä, oksia, kuoppia, oja jne.). Noudata suurta varovaisuutta viettäessä maastossa työskennellessäsi.



- 3 Siirtymisen ajaksi on moottori sammutettava.
- 4 Älä koskaan laske konetta maahan moottorin käydessä, jos et pysty valvomaan sitä koko ajan.
- 5 Leikkaavan työkalun työstösuunnan on oltava pois päin käyttäjästä. Älä koskaan osoita työkalulla

kohti käyttäjää, koska tästä voi aiheutua vakavia vahinkoja.

Trimmauksen perustekniikka



- Varmista, että seiset turvallisessa ja tukevassa työskentelyasennossa.
- Pidä koneesta aina kaksin käsin. Pidä konetta kehon oikealla puolella.



- Varmista, etteivät kädet ja jalat pääse osumaan veitsiterään moottorin käydessä.



- Pidä terät aina lähellä maata.
- Päästä kaasu joutokäynnille aina työvaiheiden välissä. Pitkäaikainen käyttö täydellä kaasulla moottoria kuormittamatta (ts. ilman vastusta, jonka moottori konetta käytettäessä saa terälaitteen välityksellä) voi aiheuttaa vakavan moottorivaurion.
- Ole erityisen varovainen vetäessäsi maanmuokkaajaa itseäsi kohti työskentelyn aikana.
- Jos kone alkaa täräistä voimakkaasti, pysäytä se. Irrota sytytysjohto sytytystulpasta. Tarkasta, ettei kone ole vaurioitunut. Korjaa mahdolliset vauriot.



VAROITUS! Joskus teriin tarttuu ruohoa tai kiviä. Pysäytä aina moottori puhdistuksen ajaksi.

TURVAOHJEET



VAROITUS! Varo sinkoutuvia esineitä. Pidä aina silmiensuojaimia. Älä koskaan kumarru terälaitteen suojuksen päälle. Kivet, roskat yms. saattavat sinkoutua silmiin ja aiheuttaa sokeutumisen tai vakavia tapaturmia.

Pidä asiaankuulumattomat etäällä. Lasten, eläinten, katsojien ja avustajien on oltava 15 metrin turva-alueen ulkopuolella. Pysäytä kone välittömästi, jos joku lähestyy sitä.

Vaihte voi olla kuuma käytön aikana ja jonkin aikaa sen jälkeen. Sen koskettaminen voi aiheuttaa palovamman.

Turvaohjeet työn jälkeen

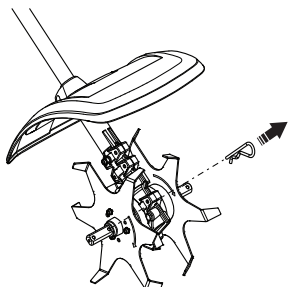


- Varmista ennen koneen puhdistusta, korjausta tai tarkastusta, että terälaitte on pysähtynyt. Irrota sytytysjohto sytytystulpasta.
- Käytä tukevia käsineitä, kun puhdistat maanmuokkaajaa.
- Käytä korjaukseen vain alkuperäisvaraosia.
- Säilytä kone lasten ulottumattomissa.

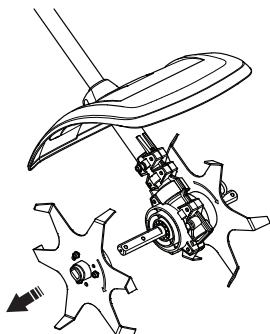
Terien vaihtaminen



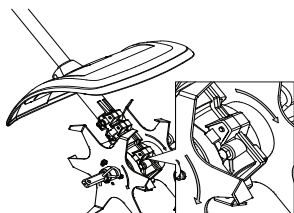
Löysää saksisokka.



Irrota leikkurikokoonpano kulmavaihdetelon vetoakselista.



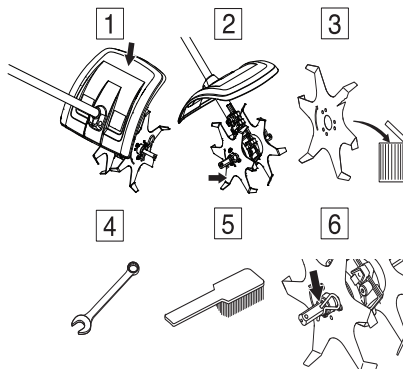
Kiinnitä leikkurikokoonpano vaihdetelon lähdön akseliin. Varmista, että pyörimissuunta on sama leikkureissa ja vaihteessa. Nuolien on osoitettava samaan suuntaan.



Huoltokaavio

Alla on annettu joitakin yleisiä hoito-ohjeita. Jos tarvitset lisäohjeita, ota yhteys huoltoliikkeeseen.

Päivittäiset toimenpiteet



- 1 Tarkasta, että suojus on ehjä ja ettei siinä ole halkeamia. Vaihda suojus, jos siihen on kohdistunut iskuja tai siinä on halkeamia.
- 2 Tarkasta, etteivät veitsiterät liiku joutokäynnillä.
- 3 Tarkasta, että terät ovat ehjät eikä niissä ole halkeamia tai muita vaurioita. Vaihda terät tarvittaessa.
- 4 Tarkasta, että ruuvit ja mutterit ovat kireällä.
- 5 Puhdista kone ulkopuolelta.
- 6 Tarkista, että lukko- ja saksisokat eivät ole vaurioituneet ja että ne on oikein kiinnitetty.

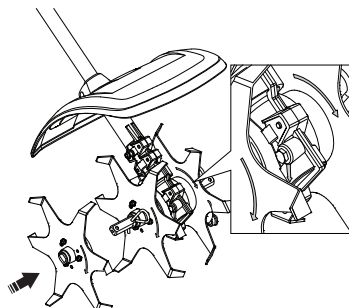
Kuljetus ja säilytys

- Jos konetta joudutaan kuljettamaan, on aina käytettävä hyväksytyjä kiinnityslaitteita ja varmistettava, että kone on hyvin kiinnitetty.
- Varmista, että kone on puhdistettu hyvin ja että täydellinen huolto on tehty ennen pitkäaikais säilytystä.

Lisävarusteet

2 leikkuria

Kiinnitä leikkurikokoonpano vaihdetelon lähdön akseliin. Varmista, että pyörimissuunta on sama leikkureissa ja vaihteessa. Nuolien on osoitettava samaan suuntaan.



TEKNISET TIEDOT

Tekniset tiedot

Tekniset tiedot **CA230**

Paino

Paino, kg	2,9
2 leikkuria	2,8
4 leikkuria (lisävaruste)	3,7

Mitat, mm

2 leikkuria	140
4 leikkuria (lisävaruste)	235

Melupäästöt

(ks. huom. 1)

Äänentehotas, mitattu dB(A)	105
Äänentehotas, taattu L_{WA} dB(A)	109

Äänitasot

(ks. huom. 2)

Ekvivalentti äänenpainetaso käyttäjän korvan tasalla mitattuna standardien EN ISO 22868 mukaan, dB(A):

Varustettu hyväksytyllä lisävarusteella (alkuperäinen)	92,4
--------------------------------------------------------	------

Tärinä

(ks. huom. 3)

Kahvojen vastaavat tärinätasot ($a_{hv,eq}$) mitattuna standardien EN ISO 22867 mukaan, m/s^2

Varustettu hyväksytyllä lisävarusteella (alkuperäinen), vasen/oikea	4,2/6,1
---------------------------------------------------------------------	---------

Huom. 1: Melupäästö ympäristöön äänentehona (L_{WA}) EY-direktiivin 2000/14/EG mukaisesti mitattuna. Koneen ilmoitettu äänen tehotaso on mitattu käyttäen alkuperäistä terälaitetta, joka antaa suurimman äänen tehotason. Taatun ja mitatun äänitehon erona on se, että taattu ääniteho sisältää myös mitatun tuloksen hajonnan ja vaihtelun saman mallin eri koneiden välillä direktiivin 2000/14/EY mukaisesti.

Huom. 2: Ilmoitetuilla tiedoilla vastaavasta koneen äänenpainetasosta tyypillinen tilastollinen hajonta (vakiopoikkeama) on 1 dB (A).

Huom. 3: Ilmoitetuilla tiedoilla vastaavasta tärinätasosta tyypillinen tilastollinen hajonta (vakiopoikkeama) on 1 m/s^2 .

CA230		
Hyväksytyt lisävarusteet	Tyyppi	Suojus
Jyrsinleikkuri	4 terää	

EY-vaatimustenmukaisuusvakuutus (Koskee ainoastaan Eurooppaa)

Husqvarna AB, SE-561 82 Huskvarna, Ruotsi, puh. +46-36-146500, vakuuttaa, että jyrsinlisälaite **Husqvarna/ Jonsered CA230** on seuraavan NEUVOSTON DIREKTIIVIN vaatimusten mukainen:

- 17. toukokuuta 2006 "koskien koneita" **2006/42/EY**.

Seuraavia standardeja on sovellettu: ISO 11449:1994

SMP Svensk Maskinprovning AB, Box 7035, SE-750 07 Uppsala, Ruotsi, on suorittanut Husqvarna AB:lle vapaaehtoisen tyyppitarkastuksen. Sertifikaattien numerot ovat: **SEC/14/2415**

Huskvarna, 20. huhtikuuta 2015



Per Gustafsson, kehityspäällikkö (Husqvarna AB:n valtuutettu ja teknisestä dokumentaatiosta vastaava edustaja.)

SYMBOLERKLÄRUNG

Symbole

WARNUNG!

Ein Kultivator kann falsch oder nachlässig angewendet gefährlich sein und zu schweren oder gar tödlichen Verletzungen des Benutzers oder anderer Personen führen. Es ist sehr wichtig, dass Sie den Inhalt dieser Bedienungsanleitung lesen und verstehen.

Lesen Sie die Bedienungsanleitung sorgfältig durch und machen Sie sich mit dem Inhalt vertraut, bevor Sie das Gerät benutzen.

Benutzen Sie immer:

- Einen zugelassenen Gehörschutz
- Schutzbrille oder Visier
- Bei staubigen Arbeitsbedingungen ist ein Atemschutz zu tragen.

Dieses Produkt stimmt mit den geltenden CE-Richtlinien überein.

Warnung vor rotierenden Messern. Auf Hände und Füße Acht geben. Der Pfeil gibt die Rotationsrichtung an.

Der Anwender des Geräts hat darauf zu achten, dass während der Arbeit keine Menschen oder Tiere näher als 15 m herankommen.

Stets zugelassene Schutzhandschuhe tragen.

Rutschfeste und stabile Stiefel tragen.

Alle Körperteile von heißen Oberflächen fernhalten.



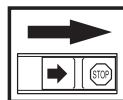
Warnung vor hochgeschleuderten und abprallenden Gegenständen.



Umweltbelastende Geräuschemissionen gemäß der Richtlinie der Europäischen Gemeinschaft. Die Emission des Gerätes ist im Kapitel Technische Daten und auf dem Geräteschild angegeben.

Sonstige Symbole/Aufkleber am Gerät beziehen sich auf spezielle Zertifizierungsanforderungen, die in bestimmten Ländern gelten.

Eine Kontrolle und/oder Wartung ist bei abgestelltem Motor vorzunehmen, wenn der Stoppschalter in Stellung STOP steht.



Stets zugelassene Schutzhandschuhe tragen.



INHALT

Inhalt

SYMBOLERKLÄRUNG

Symbole 52

INHALT

Inhalt 53

Vor dem Start ist Folgendes zu beachten: 53

WAS IST WAS?

Was ist was am Kultivatoraufsatz? 54

SICHERHEITSVORSCHRIFTEN

Persönliche Schutzausrüstung 55

Sicherheitsausrüstung des Gerätes 55

Allgemeine Sicherheitsvorschriften 57

Allgemeine Arbeitsvorschriften 58

WARTUNG

Austausch der Klingen 60

Wartungsschema 60

TECHNISCHE DATEN

Technische Daten 61

EG-Konformitätserklärung 61

Vor dem Start ist Folgendes zu beachten:

Die Husqvarna AB arbeitet ständig an der Weiterentwicklung ihrer Produkte und behält sich daher das Recht auf Änderungen ohne vorherige Ankündigung, z. B. von Form und Aussehen, vor.

Eine längerfristige Beschallung mit Lärm kann zu bleibenden Gehörschäden führen. Daher stets einen zugelassenen Gehörschutz tragen.

Lesen Sie die Bedienungsanweisung sorgfältig durch und machen Sie sich mit dem Inhalt vertraut, bevor Sie das Gerät benutzen.

Diese Bedienungsanweisung ist eine Ergänzung der mit dem Gerät gelieferten Bedienungsanweisung. Bezüglich der sonstigen Handhabung siehe die Bedienungsanweisung des Gerätes.



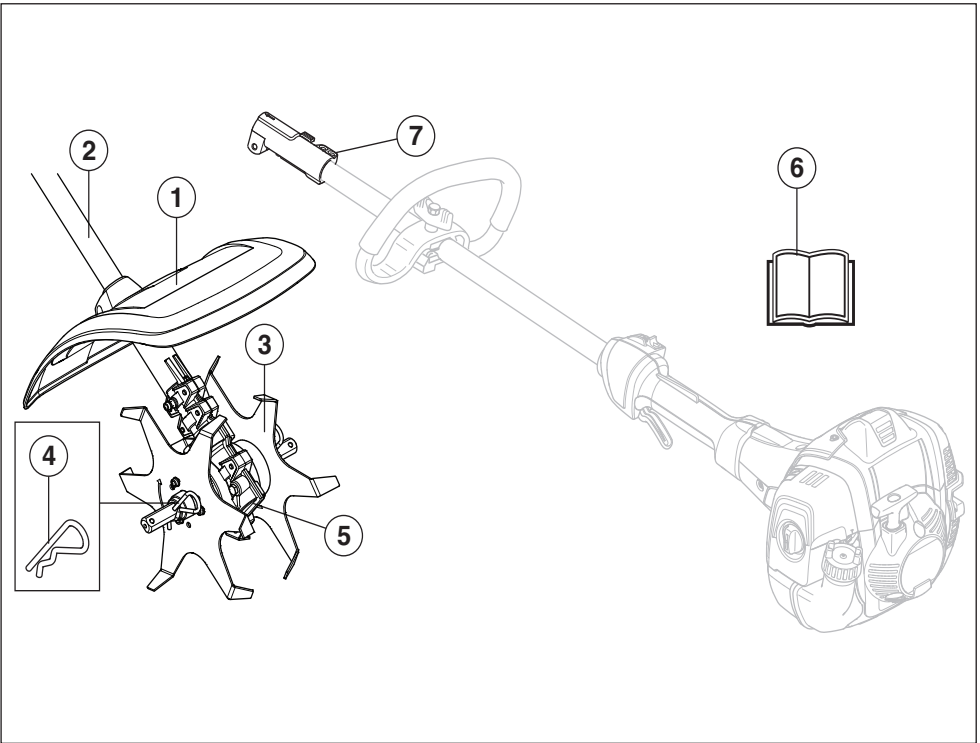
WARNUNG! Unter keinen Umständen darf die ursprüngliche Konstruktion des Gerätes ohne Genehmigung des Herstellers geändert werden. Es ist immer Originalzubehör zu verwenden. Unzulässige Änderungen und/oder unzulässiges Zubehör können zu schweren oder sogar tödlichen Verletzungen des Anwenders oder anderer Personen führen.



WARNUNG! Dieses Zubehör darf nur zusammen mit den dafür vorgesehenen Freischneidern/Trimmern benutzt werden, siehe "Zugelassenes Zubehör" unter Technische Daten in der Bedienungsanweisung des Geräts.

Das Gerät ist nur für das Kultivieren konstruiert.

WAS IST WAS?



Was ist was am Kultivatoraufsatz?

- | | |
|----------------|--------------------------------------------------|
| 1 Messerschutz | 5 Getriebe |
| 2 Führungsrohr | 6 Bedienungsanweisung |
| 3 Messer | 7 Führungsrohrverbindung (Gehört zum Grundgerät) |
| 4 Spannstift | |

SICHERHEITSVORSCHRIFTEN

Persönliche Schutzausrüstung



WARNUNG! Bei der Benutzung des Gerätes muss die vorgeschriebene persönliche Schutzausrüstung angewendet werden. Die persönliche Schutzausrüstung beseitigt nicht die Unfallgefahr, begrenzt aber den Umfang der Verletzungen und Schäden. Bei der Wahl der Schutzausrüstung einen Fachhändler um Rat fragen. Lesen Sie die Bedienungsanweisung sorgfältig durch und machen Sie sich mit dem Inhalt vertraut, bevor Sie das Gerät benutzen.

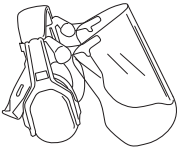


WARNUNG! Bei Benutzung von Gehörschützern immer auf Warnsignale oder Zurufe achten. Den Gehörschutz immer abnehmen, sobald der Motor abgestellt ist.

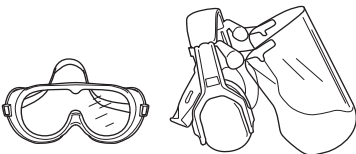
- Handschuhe sind dann zu tragen, wenn dies notwendig ist.



- Ein Gehörschutz mit ausreichender Dämmwirkung ist zu tragen.



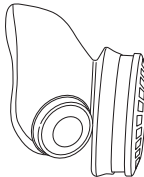
- Es ist immer ein zugelassener Augenschutz zu tragen. Bei der Benutzung eines Visiers ist auch eine zugelassene Schutzbrille zu tragen. Zugelassene Schutzbrillen sind in diesem Falle diejenigen, die die Normen ANSI Z87.1 für die USA bzw. EN 166 für EU-Länder erfüllen. Die Augen können durch hochbläserne Zweige oder Fremdkörper verletzt werden.



- Rutschfeste und stabile Stiefel tragen.



- Immer schwere, lange Hosen, Steiefel, Handschuhe und ein langärmeliges Hemd tragen. Keine lose Kleidung, Schals, Schmuck usw. tragen, um zu vermeiden, dass diese Objekte in die rotierenden Teile gezogen werden und um das Risiko einer Verletzung zu reduzieren. Haare so sichern, dass sie sich über Schulterniveau befinden.
- Bei staubigen Arbeitsbedingungen ist ein Atemschutz zu tragen.



- Ein Erste-Hilfe-Set soll immer griffbereit sein.



Sicherheitsausrüstung des Gerätes

In diesem Abschnitt werden einzelnen Teile der Sicherheitsausrüstung des Gerätes beschrieben, welche Funktion sie haben und wie ihre Kontrolle und Wartung ausgeführt werden sollen, um sicherzustellen, dass sie funktionsfähig sind. (Siehe Kapitel Was ist was? um herauszufinden, wo die Sicherheitsdetails an Ihrem Gerät zu finden sind).

Die Lebensdauer der Maschine kann verkürzt werden und die Unfallgefahr kann steigen, wenn die Wartung der Maschine nicht ordnungsgemäß und Service und/oder Reparaturen nicht fachmännisch ausgeführt werden. Weitere Informationen erteilt Ihnen gerne die nächste Servicewerkstatt.

WICHTIG! Bei der Benutzung des Gerätes muss die vorgeschriebene persönliche Schutzausrüstung angewendet werden. Die persönliche Schutzausrüstung beseitigt nicht die Unfallgefahr, begrenzt aber den Umfang der Verletzungen und Schäden. Bei der Wahl der Schutzausrüstung einen Fachhändler um Rat fragen.

SICHERHEITSVORSCHRIFTEN



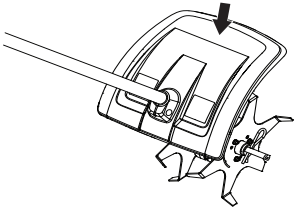
WARNUNG! Benutzen Sie nie ein Gerät mit defekter Sicherheitsausrüstung. Befolgen Sie die in diesem Abschnitt aufgeführten Kontroll-, Wartungs- und Serviceanweisungen.

Schutz für die Schneidausrüstung



Dieser Schutz soll verhindern, dass lose Gegenstände zum Anwender hochgeschleudert werden. Der Schutz verhindert auch, dass der Anwender mit der Schneidausrüstung in Berührung kommt.

- Kontrollieren, ob der Schutz unbeschädigt und frei von Rissbildungen ist.

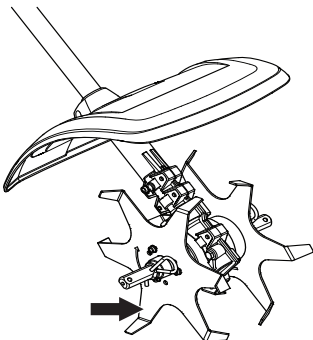


- Den Schutz auswechseln, wenn er Schlägen ausgesetzt war oder Risse aufweist.

Schneidausrüstung



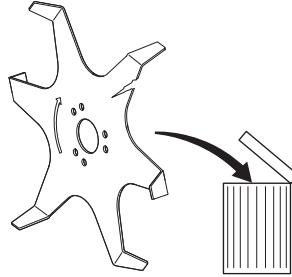
Die Messer wurden so konstruiert und bearbeitet, dass sie den Belastungen beim Kultivieren standhalten.



Die zwei Grundregeln:

- 1 Verwenden Sie die Schneidausrüstung nur mit der empfohlenen Schutzausrüstung!

- 2 Die Schneidausrüstung auf Beschädigung und Risse kontrollieren. Beschädigte Schneidausrüstungen sind grundsätzlich auszutauschen.



WARNUNG! Stellen Sie immer den Motor ab, bevor Sie an einem beliebigen Teil des Zubehörs arbeiten. Dieser kann noch weiterlaufen, nachdem der Gashebel losgelassen wird. Stellen Sie sicher, dass das Zubehör völlig stillsteht, und ziehen Sie die Kabel von der Zündkerze ab, bevor Sie mit der Arbeit an der Schneidausrüstung beginnen.



WARNUNG! Benutzen Sie nie ein Gerät mit defekter Sicherheitsausrüstung. Die Sicherheitsausrüstung des Gerätes muss so kontrolliert und gewartet werden, wie dies in diesem Abschnitt beschrieben wird. Wenn Ihr Gerät den Kontrollanforderungen nicht entspricht, muss eine Servicewerkstatt aufgesucht werden.

SICHERHEITSVORSCHRIFTEN

Allgemeine Sicherheitsvorschriften

WICHTIG!

Benutzen Sie das Gerät nur für solche Arbeiten, für die es vorgesehen ist. Das Gerät ist nur für das Kultivieren konstruiert.

Arbeiten Sie niemals mit dem Gerät, wenn Sie müde sind, Alkohol getrunken oder Medikamente eingenommen haben, da hierdurch Sehkraft, Urteilsvermögen oder Körperkontrolle beeinträchtigt werden können.

Tragen Sie persönliche Schutzausrüstung. Siehe die Anweisungen unter der Überschrift "Persönliche Schutzausrüstung".

Niemals mit einem Gerät arbeiten, das ohne Zustimmung des Herstellers modifiziert wurde und nicht länger mit der Originalausführung übereinstimmt.

Benutzen Sie das Gerät niemals bei extremen Klimaverhältnissen wie strenger Kälte oder sehr heißem und/oder feuchten Klima.

Niemals mit einem defekten Gerät arbeiten. Die Kontroll-, Wartungs- und Serviceanweisungen in dieser Bedienungsanweisung sind genau zu befolgen.

Gewisse Wartungs- und Servicemaßnahmen sind von geschulten, qualifizierten Fachleuten auszuführen. Siehe Anweisungen unter dem Titel Wartung.



WARNUNG! Falsche Messer können die Unfallgefahr erhöhen.

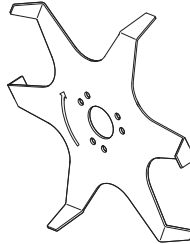
- Niemals Kindern die Anwendung des Geräts erlauben.
- Darauf achten, dass bei der Arbeit niemand näher als 15 m herankommt.
- Lassen Sie niemals jemand anderen das Gerät benutzen, ohne sich zu vergewissern, dass die Person den Inhalt der Bedienungsanweisung verstanden hat.
- Kultivierungsarbeiten sollten nur bei Tageslicht oder guter Beleuchtung vorgenommen werden.

Sicherheitsvorschriften vor dem Start

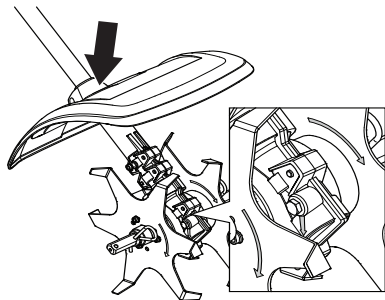
- Kontrollieren Sie den Arbeitsbereich. Entfernen Sie alle losen Gegenstände wie z. B. Steine, Glasscherben, Nägel, Draht, Seile usw., die hochgeschleudert werden oder sich in den Messern bzw. im Messerschutz verfangen können.
- Unbefugte auf Abstand halten. Kinder, Tiere, Zuschauer und Helfer sollten sich außerhalb einer Sicherheitszone von 15 m befinden. Stellen Sie das Gerät sofort ab, wenn sich Ihnen jemand nähert.
- Vor dem Start das ganze Gerät kontrollieren. Beschädigte Teile austauschen. Sicherstellen, dass

kein Kraftstoff ausläuft und dass alle Schutzteile und Gehäuse intakt und fest montiert sind. Alle Schrauben und Muttern kontrollieren.

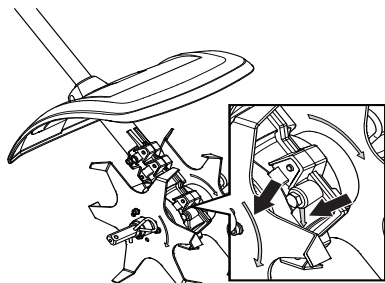
- Messer auf Risse oder sonstige Schäden prüfen. Messer bei Bedarf austauschen.



- Dafür sorgen, dass der Messerschutz montiert und unbeschädigt ist.



- Kontrollieren, ob Messer und Messerschutz fest montiert sind. Stellen Sie sicher, dass die Rotationsrichtung der Pfeile auf dem Schleifer mit denen auf dem Getriebe übereinstimmt. Die Pfeile müssen in die gleiche Richtung zeigen.



- Sicherstellen, dass sich die Messer im Leerlauf nicht bewegen.
- Dafür sorgen, dass Handgriffe und Sicherheitsfunktion in Ordnung sind. Niemals ein Gerät benutzen, an dem ein Teil fehlt, oder das so modifiziert wurde, dass es nicht mehr mit der Spezifikation übereinstimmt.
- Benutzen Sie das Gerät nur für solche Arbeiten, für die es vorgesehen ist.

SICHERHEITSVORSCHRIFTEN

Bei Kaltstart:

- Lassen Sie die Grundmaschine warmlaufen, und schalten Sie sie dann aus.
- Montieren Sie das Zubehör gemäß der Montageanleitung.

Allgemeine Arbeitsvorschriften

WICHTIG!

Dieser Abschnitt behandelt grundlegende Sicherheitsregeln für die Arbeit mit einem Kultivator.

Wenn Sie in eine Situation kommen, die Sie in Bezug auf die weitere Anwendung des Geräts verunsichert, lassen Sie sich von einem Experten beraten. Wenden Sie sich an Ihren Fachhändler oder Ihre Servicewerkstatt.

Vermeiden Sie, Arbeiten auszuführen, denen Sie sich nicht gewachsen fühlen.

Grundlegende Sicherheitsvorschriften



Behalten Sie die Umgebung im Auge:

- Um sicherzustellen, dass weder Menschen noch Tiere oder anderes Ihre Kontrolle über das Gerät beeinflussen können.
 - Um sicherzustellen, dass weder Menschen, Tiere noch Gegenstände Gefahr laufen, mit der Schneidrüstung selber oder mit von der Schneidrüstung hochgeschleuderten losen Gegenständen in Kontakt kommen.
- **ACHTUNG!** Das Gerät niemals benutzen, wenn nicht die Möglichkeit besteht, im Falle eines Unfalls Hilfe herbeizurufen.
- 1 Vermeiden Sie es, das Gerät bei schlechtem Wetter zu benutzen. Z.B. bei dichtem Nebel, starkem Regen oder Wind, großer Kälte usw. Das Arbeiten bei schlechtem Wetter ist sehr ermüdend und kann gefährliche Umstände herbeiführen, z. B. Rutschgefahr.
 - 2 Sicherstellen, dass Sie sicher gehen und stehen können. Achten Sie auf evtl. Hindernisse (Wurzeln, Steine, Äste, Löcher, Gräben usw.), wenn Sie

unvermittelt Ihren Standort wechseln. Beim Arbeiten auf abschüssigem Boden immer sehr vorsichtig sein.



- 3 Beim Bewegen ist der Motor abzustellen.
- 4 Das Gerät niemals mit laufendem Motor unbeaufsichtigt abstellen.
- 5 Arbeiten Sie mit dem Schneidwerkzeug immer von sich weg. Arbeiten Sie mit dem Werkzeug niemals in Ihre Richtung, da dies zu schweren Verletzungen führen kann.

Grundlegende Arbeitstechnik



- Sorgen Sie immer dafür, dass Sie bei der Arbeit fest und sicher stehen.
- Das Gerät immer mit beiden Händen halten. Das Gerät rechts vom Körper halten.



SICHERHEITSVORSCHRIFTEN

- Dafür sorgen, dass Hände und Füße nicht an das Messer kommen, wenn der Motor läuft.



- Messer immer nah am Boden halten.
- Nach jedem Arbeitsmoment den Motor im Leerlauf laufen lassen. Längerer Betrieb bei hoher Drehzahl ohne Belastung (d. h. ohne den Widerstand, der dem Motor bei der Arbeit mit dem Gerät durch die Schneidausrüstung geboten wird) kann schwere Motorschäden verursachen.
- Seien Sie besonders aufmerksam, wenn Sie den Kultivator während der Arbeit an sich ziehen.
- Wenn starke Vibrationen auftreten, das Gerät abstellen. Das Zündkerzenkabel von der Zündkerze abziehen. Kontrollieren, ob das Gerät beschädigt ist. Eventuelle Schäden reparieren.



WARNUNG! Manchmal bleiben Gras oder Steine in den Messern hängen. Zum Säubern stets den Motor abstellen.



WARNUNG! Warnung vor hochgeschleuderten Gegenständen. Immer einen Augenschutz tragen. Niemals über den Schutz der Schneidausrüstung beugen. Hochgeschleuderte Steine, Unrat usw. könnten die Augen treffen und Blindheit oder schwere Verletzungen verursachen.

Unbefugte auf Abstand halten. Kinder, Tiere, Zuschauer und Helfer sollten sich außerhalb einer Sicherheitszone von 15 m befinden. Stellen Sie das Gerät sofort ab, wenn sich Ihnen jemand nähert.

Das Getriebe kann während des Betriebs heiß laufen und kühlt nur langsam ab. Beim Berühren besteht Verbrennungsgefahr.

Sicherheitsvorschriften nach abgeschlossener Arbeit

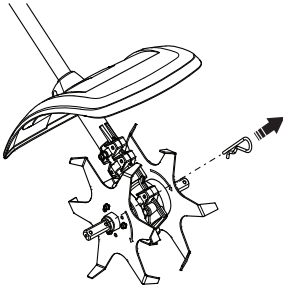


- Vor Reinigung, Reparatur oder Inspektion müssen Sie darauf achten, dass die Schneidausrüstung zum Stillstand gekommen ist. Das Zündkerzenkabel von der Zündkerze abziehen.
- Bei Reparaturen am Kultivator feste Handschuhe tragen.
- Bei Reparaturen ausschließlich Original-Ersatzteile verwenden.
- Das Gerät für Kinder unzugänglich aufbewahren.

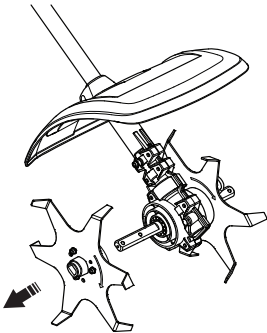
Austausch der Klingen



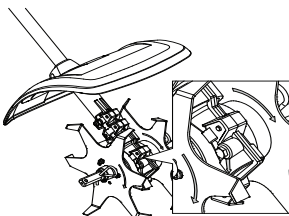
Lösen Sie den Spannstift.



Entfernen Sie das Messerpaket aus der Abtriebswelle des Getriebegehäuses.



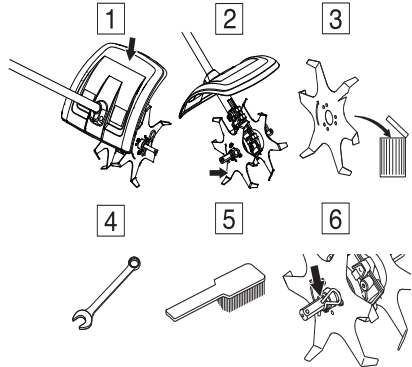
Montieren Sie das Messerpaket an der Abtriebswelle des Getriebegehäuses. Stellen Sie sicher, dass die Rotationsrichtung der Pfeile auf dem Schleifer mit denen auf dem Getriebe übereinstimmt. Die Pfeile müssen in die gleiche Richtung zeigen.



Wartungsschema

Nachstehend folgen einige allgemeine Wartungsanweisungen. Sollten Sie weitere Informationen brauchen, wenden Sie sich bitte an Ihre Servicewerkstatt.

Tägliche Wartung



- 1 Den Schutz auf Schäden und Risse kontrollieren. Den Schutz austauschen, wenn er Schlägen ausgesetzt war oder Risse aufweist.
- 2 Sicherstellen, dass sich die Messer im Leerlauf nicht bewegen.
- 3 Messer auf Risse oder sonstige Schäden prüfen. Messer bei Bedarf austauschen.
- 4 Schrauben und Muttern nachziehen.
- 5 Das Gerät äußerlich reinigen.
- 6 Kontrollieren Sie, ob die Spannstifte und Splinte intakt und gut befestigt sind.

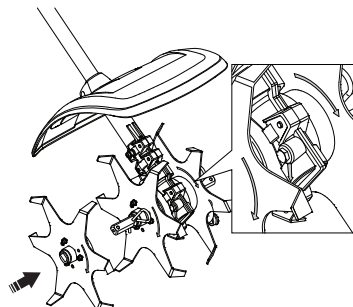
Transport und Aufbewahrung

- Bei Transporten sind grundsätzlich zugelassene Spannvorrichtungen zu verwenden. Sicherstellen, dass die Maschine gut festgezurr ist.
- Vor der Langzeitaufbewahrung sicherstellen, dass die Maschine gründlich gesäubert und komplett gewartet wurde.

Optionales Zubehör

2x Schneidwerkzeuge

Montieren Sie das Messerpaket an der Abtriebswelle des Getriebegehäuses. Stellen Sie sicher, dass die Rotationsrichtung der Pfeile auf dem Schleifer mit denen auf dem Getriebe übereinstimmt. Die Pfeile müssen in die gleiche Richtung zeigen.



TECHNISCHE DATEN

Technische Daten

Technische Daten **CA230**

Gewicht

Gewicht, kg	2,9
2x Schneidwerkzeuge	2,8
4x Schneidwerkzeuge(Zubehör)	3,7

Abmessungen, mm

2x Schneidwerkzeuge	140
4x Schneidwerkzeuge(Zubehör)	235

Geräuschemissionen

(siehe Anmerkung 1)

Gemessene Schalleistung dB(A)	105
Garantierte Schalleistung L_{WA} dB(A)	109

Lautstärke

(siehe Anmerkung 2)

Äquivalenter Schalldruckwert am Ohr des Anwenders, gemessen gem. EN ISO 22868, dB(A):

Ausgestattet mit zugelassenem Zubehör (Original)	92,4
--------------------------------------------------	------

Vibrationen

(siehe Anmerkung 3)

Äquivalente Vibrationspegel ($a_{hv,eq}$) an den Griffen, gemessen gemäß EN ISO 22867, m/s^2

Ausgestattet mit zugelassenem Zubehör (Original), links/rechts	4,2/6,1
----------------------------------------------------------------	---------

Anmerkung 1: Umweltbelastende Geräuschemission gemessen als Schalleistung (L_{WA}) gemäß EG-Richtlinie 2000/14/EG. Der aufgezeichnete Lautstärkepegel für die Maschine wurde unter Verwendung der originalen Schneidausrüstung mit dem höchsten Pegel gemessen. Die Differenz zwischen garantiertem und gemessenem Lautstärkepegel besteht darin, dass bei der garantierten Lautstärke auch eine Streuung im Messergebnis und Variationen zwischen verschiedenen Maschinen desselben Modells gemäß der Richtlinie 2000/14/EG berücksichtigt werden.

Anmerkung 2: Berichten zufolge entspricht der Schalldruckpegel für diese Maschine normalerweise einer Ausbreitungsklasse (standardmäßige Ausbreitung) von 1 dB (A).

Anmerkung 3: Berichten zufolge liegt der äquivalente Vibrationspegel normalerweise bei einer Ausbreitungsklasse (Standardabweichung) von 1 m/s^2 .

CA230		
Zugelassenes Zubehör	Typ	Schutz
Motorhacke	4x Klängen	

EG-Konformitätserklärung (nur für Europa)

Wir, **Husqvarna AB**, SE-561 82 Huskvarna, Schweden, Tel.: +46-36-146500, erklären hiermit, dass die Zusatzausrüstung **Husqvarna/Jonsered CA230** den Vorschriften folgender RICHTLINIEN DES RATES entspricht:

- vom 17. Mai 2006 „Maschinen-Richtlinie“ **2006/42/EG**.

Folgende Normen wurden angewendet: ISO 11449:1994

SMP Svensk Maskinprovning AB, Box 7035, SE-750 07 Uppsala, Schweden, hat die freiwillige Typenprüfung für Husqvarna AB durchgeführt. Die Prüfzertifikate haben die Nummern: **SEC/14/2415**

Huskvarna, 20. April 2015



Per Gustafsson, Entwicklungsleiter
(Bevollmächtigter Vertreter für Husqvarna AB, verantwortlich für die technische Dokumentation.)

EXPLICATION DES SYMBOLES

Symboles

AVERTISSEMENT!

Utilisé de manière imprudente ou inadéquate, un cultivateur peut devenir un outil dangereux, pouvant causer des blessures graves, voire mortelles à l'utilisateur ou à d'autres personnes présentes. Il importe donc de lire attentivement et de bien assimiler le contenu de ce manuel de l'opérateur.

Lire attentivement et bien assimiler le manuel d'utilisation avant d'utiliser la machine.



Toujours utiliser:

- Protecteurs d'oreilles homologués
- Lunettes protectrices ou visière
- Utiliser une protection respiratoire dans les environnements poussiéreux.



Ce produit est conforme aux directives CE en vigueur.



Attention au couteau en rotation.
Attention aux pieds et aux mains.
La flèche indique le sens de rotation.



L'utilisateur de la machine doit s'assurer qu'aucune personne ou animal ne s'approche à moins de 15 mètres pendant le travail.



Toujours porter des gants de protection homologués.



Utiliser des bottes antidérapantes et stables.



Maintenez toutes les parties de votre corps à distance des surfaces chaudes et brûlantes.



Attention: projections et ricochets.

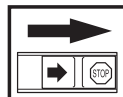


Émissions sonores dans l'environnement selon la directive de la Communauté européenne. Les émissions de la machine sont indiquées au chapitre Caractéristiques techniques et sur les autocollants.

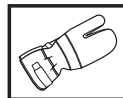


Les autres symboles/autocollants présents sur la machine concernent des exigences de certification spécifiques à certains marchés.

Couper le moteur avant tout contrôle ou réparation en plaçant le bouton d'arrêt sur la position STOP.



Toujours porter des gants de protection homologués.



SOMMAIRE

Sommaire

EXPLICATION DES SYMBOLES

Symboles 62

SOMMAIRE

Sommaire 63

Contrôler les points suivants avant la mise en marche: 63

QUELS SONT LES COMPOSANTS?

Quels sont les composants du cultivateur ? 64

INSTRUCTIONS DE SÉCURITÉ

Équipement de protection personnelle 65

Équipement de sécurité de la machine 65

Instructions générales de sécurité 67

Méthodes de travail 68

ENTRETIEN

Remplacement des lames 70

Schéma d'entretien 70

CARACTÉRISTIQUES TECHNIQUES

Caractéristiques techniques 71

Déclaration CE de conformité 71

Contrôler les points suivants avant la mise en marche:

Husqvarna AB travaille continuellement au développement de ses produits et se réserve le droit d'en modifier, entre autres, la conception et l'aspect sans préavis.

Une exposition prolongée au bruit risque de causer des lésions auditives permanentes. Toujours utiliser des protecteurs d'oreille agréés.

Lire attentivement et bien assimiler le manuel d'utilisation avant d'utiliser la machine.

Ces instructions sont un complément au manuel qui accompagne la machine. Pour les autres instructions, se reporter au manuel d'utilisation de la machine.



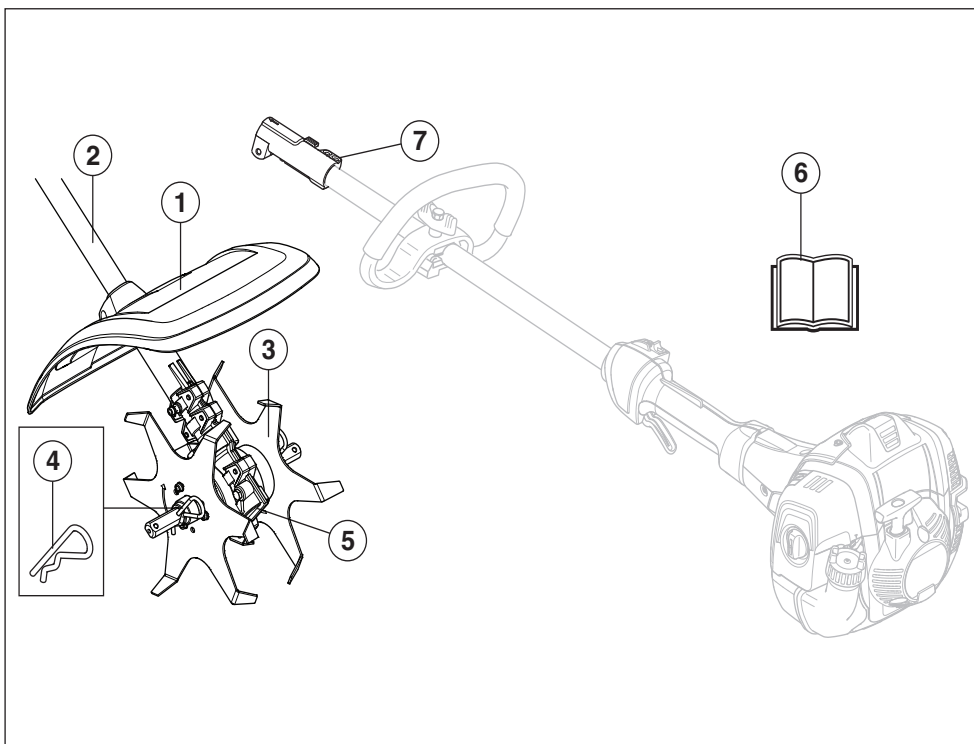
AVERTISSEMENT! Ne jamais modifier sous aucun prétexte la machine sans l'autorisation du fabricant. N'utiliser que des accessoires et des pièces d'origine. Des modifications non-autorisées et l'emploi d'accessoires non-homologués peuvent provoquer des accidents graves et même mortels, à l'utilisateur ou d'autres personnes.



AVERTISSEMENT! Cet accessoire ne peut être utilisé que pour les débroussailluses/coupebordures auxquels il est expressément destiné. Voir la section "Accessoires homologués" au chapitre Caractéristiques techniques dans le manuel d'utilisation de la machine.

La machine est conçue uniquement pour le travail de la terre.

QUELS SONT LES COMPOSANTS?



Quels sont les composants du cultivateur ?

- | | | | |
|---|----------------------|---|-------------------------------------------------------------------|
| 1 | Protège-couteau | 5 | Carter |
| 2 | Tube de transmission | 6 | Manuel d'utilisation |
| 3 | Couteaux | 7 | Raccord du tube de transmission (Provenant de la machine de base) |
| 4 | Goupille fendue | | |

INSTRUCTIONS DE SÉCURITÉ

Équipement de protection personnelle



AVERTISSEMENT! Un équipement de protection personnelle homologué doit impérativement être utilisé lors de tout travail avec la machine. L'équipement de protection personnelle n'élimine pas les risques mais réduit la gravité des blessures en cas d'accident. Demander conseil au concessionnaire afin de choisir un équipement adéquat. Lire attentivement et bien assimiler le manuel d'utilisation avant d'utiliser la machine.



AVERTISSEMENT! Soyez toujours attentifs aux signaux d'alerte ou aux appels en portant des protège-oreilles. Enlevez-les sitôt le moteur arrêté.

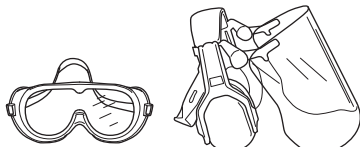
- Au besoin, utiliser des gants.



- Porter des protège-oreilles ayant un effet atténuateur suffisant.



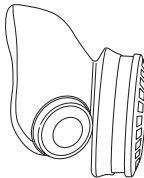
- Toujours porter des protège-yeux homologués. L'usage d'une visière doit toujours s'accompagner du port de lunettes de protection homologuées. Par lunettes de protection homologuées, on entend celles qui sont en conformité avec les normes ANSI Z87.1 (États-Unis) ou EN 166 (pays de l'UE). Les branches ou objets projetés peuvent causer des blessures aux yeux.



- Utiliser des bottes antidérapantes et stables.



- Portez toujours un pantalon long et épais, des bottes, des gants et une chemise à manches longues. Afin de réduire le risque de blessures associées à des objets aspirés par des pièces en rotation, ne portez pas de vêtements amples, d'écharpes, de bijoux, etc. Veillez à ce que les cheveux ne tombent pas sur les épaules.
- Utiliser une protection respiratoire dans les environnements poussiéreux.



- Une trousse de premiers secours doit toujours être disponible.



Équipement de sécurité de la machine

Ce chapitre présente les équipements de sécurité de la machine, leur fonction, comment les utiliser et les maintenir en bon état. Voir au chapitre Quels sont les composants? pour trouver leur emplacement sur la machine.

La durée de vie de la machine risque d'être écourtée et le risque d'accidents accru si la maintenance de la machine n'est pas effectuée correctement et si les mesures d'entretien et/ou de réparation ne sont pas effectuées de manière professionnelle. Pour obtenir de plus amples informations, contacter l'atelier de réparation le plus proche.

IMPORTANT! Un équipement de protection personnelle homologué doit impérativement être utilisé lors de tout travail avec la machine. L'équipement de protection personnelle n'élimine pas les risques mais réduit la gravité des blessures en cas d'accident. Demander conseil au concessionnaire afin de choisir un équipement adéquat.



AVERTISSEMENT! Ne jamais utiliser une machine dont les équipements de sécurité sont défectueux. Suivre les directives de maintenance, d'entretien et les instructions de réparation indiquées dans ce chapitre.

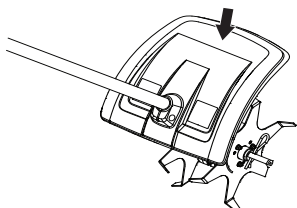
INSTRUCTIONS DE SÉCURITÉ

Protection pour l'équipement de coupe



Cette protection a pour but d'empêcher que des objets ne soient projetés en direction de l'utilisateur. La protection prévient aussi le contact entre l'utilisateur et l'équipement de coupe.

- S'assurer que la protection est intacte et qu'elle ne présente pas de fissures.

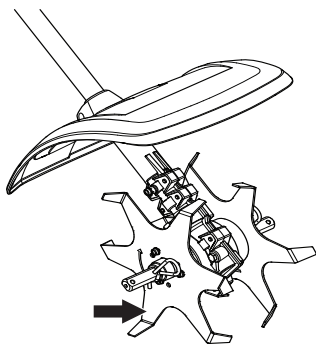


- Remplacer la protection si elle a subi des impacts ou si elle présente des fissures.

Équipement de coupe



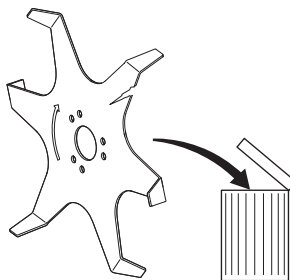
Les couteaux sont conçus pour résister aux contraintes du travail de la terre.



Les deux règles essentielles:

- 1 N'utilisez les accessoires de coupe qu'avec la protection recommandée !

- 2 Inspecter l'équipement de coupe afin de détecter d'éventuels dommages ou fissures. Toujours remplacer un équipement de coupe endommagé.



AVERTISSEMENT! Arrêtez toujours le moteur avant de manipuler une quelconque pièce de l'accessoire. Il peut continuer à bouger même après que la gâchette d'accélération ait été relâchée. Assurez-vous que l'accessoire est complètement immobilisé et débranchez les câbles de la bougie d'allumage avant de commencer l'intervention sur l'accessoire.



AVERTISSEMENT! Ne jamais utiliser une machine dont les équipements de sécurité sont défectueux. Contrôler et entretenir les équipements de sécurité de la machine conformément aux instructions données dans ce chapitre. Si les contrôles ne donnent pas de résultat positif, confier la machine à un atelier spécialisé.

INSTRUCTIONS DE SÉCURITÉ

Instructions générales de sécurité

IMPORTANT!

Utiliser la machine uniquement pour les travaux auxquels elle est destinée. La machine est conçue uniquement pour le travail de la terre.

Éviter d'utiliser la machine en cas de fatigue, d'absorption d'alcool ou de prise de médicaments susceptibles d'affecter l'acuité visuelle, le jugement ou la maîtrise du corps.

Utiliser les équipements de protection personnelle. Voir au chapitre "Équipement de protection personnelle".

Ne jamais utiliser une machine qui a été modifiée au point de ne plus être conforme au modèle original.

Ne jamais utiliser la machine dans des conditions climatiques extrêmes telles que la froid intense ou climat très chaud et/ou humide.

Ne jamais utiliser une machine qui n'est pas en parfait état de marche. Appliquer les instructions de maintenance et d'entretien ainsi que les contrôles de sécurité indiqués dans ce manuel d'utilisation. Certaines mesures de maintenance et d'entretien doivent être confiées à un spécialiste dûment formé et qualifié. Voir les instructions à la section Maintenance.



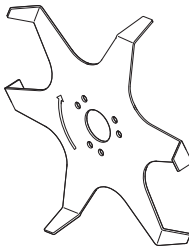
AVERTISSEMENT! Des coupeaux en mauvais état augmentent le risque d'accident.

- Ne jamais laisser un enfant utiliser la machine.
- S'assurer qu'aucune personne ne s'approche à moins de 15 m pendant le travail.
- Ne jamais laisser d'autres personnes utiliser la machine sans s'être assuré au préalable que ces personnes ont bien compris le contenu du mode d'emploi.
- Le travail avec cultivateur ne doit être effectué qu'à la lumière du jour ou dans des conditions d'éclairage appropriées.

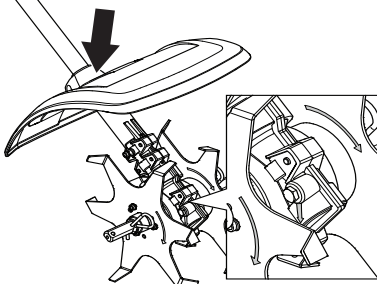
Consignes de sécurité avant la mise en marche

- Inspecter la zone de travail. Enlever tout objet traînant par terre, tels que cailloux, débris de verre, clous, fil de fer, ficelle etc., pouvant être projetés ou s'enrouler autour du coupeau ou dans le protège-coupeau.
- Maintenir à distance toutes les personnes non concernées par le travail. Les enfants, les animaux, les spectateurs et les collègues de travail devront se trouver en dehors de la zone de sécurité, soit à au moins 15 mètres. Arrêter immédiatement la machine si une personne s'approche.

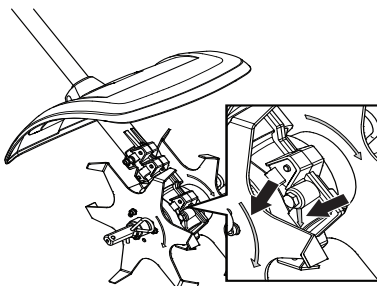
- Contrôler toute la machine avant de la mettre en marche. Remplacer les pièces endommagées. S'assurer que le carburant ne fuit pas et que toutes les protections et carters sont complets et correctement fixés. Vérifier toutes les vis et écrous.
- Contrôler que les coupeaux sont intacts et ne présentent ni fissures ni autres dommages. Remplacer les coupeaux si nécessaire.



- S'assurer que le protège-coupeau est monté et en bon état.



- Contrôler que les coupeaux et leur protection sont correctement fixés. Assurez-vous que le sens de rotation s'accorde avec les fraises et sur l'engrenage. Les flèches doivent être orientées dans le même sens.



- Contrôler que les coupeaux ne tournent pas au ralenti.
- S'assurer que la poignée et le dispositif de sécurité sont en bon état. Ne jamais utiliser une machine dont une pièce est manquante ou ayant été modifiée contrairement aux spécifications.

INSTRUCTIONS DE SÉCURITÉ

- Utiliser la machine uniquement pour les travaux auxquels elle est destinée.

Démarrage à froid:

- Faites chauffer la machine de base, puis arrêtez-la.
- Montez l'accessoire conformément aux instructions de montage.

Méthodes de travail

IMPORTANT!

Ce chapitre traite des consignes de sécurité de base lors du travail avec un cultivateur.

Dans l'éventualité d'une situation rendant la suite du travail incertaine, consulter un expert. S'adresser au revendeur ou à l'atelier de réparation.

Évitez les tâches pour lesquelles vous ne vous sentez pas suffisamment qualifié.

Règles élémentaires de sécurité



Bien observer la zone de travail:

- S'assurer qu'aucune personne, aucun animal ou aucun autre facteur ne risque de gêner l'utilisateur de la machine.
 - Afin d'éviter que des personnes, des animaux ou autre n'entrent en contact avec l'équipement de coupe ou avec des objets lancés par celui-ci.
 - **REMARQUE!** Ne jamais utiliser une machine s'il n'est pas possible d'appeler au secours en cas d'accident.
- 1 Ne pas travailler par mauvais temps: brouillard épais, pluie diluvienne, vent violent, grand froid, etc. Travailler par mauvais temps est fatiguant et peut créer des conditions de travail dangereuses telles que le verglas.
 - 2 S'assurer de pouvoir se tenir et se déplacer en toute sécurité. Repérer les éventuels obstacles en cas de déplacement imprévu: souches, pierres, branchages, fondrières, etc. Observer la plus grande prudence lors de travail sur des terrains en pente.



- 3 Arrêter le moteur en cas de déplacement.

- 4 Ne jamais placer la machine sur le sol avec le moteur en marche sans pouvoir la surveiller.

- 5 En fonctionnement, l'outil de coupe doit être maintenu à distance de l'opérateur. Ne tournez jamais l'outil en fonctionnement vers l'opérateur, cela pourrait être la cause de blessures très graves.

Techniques de travail de base



- Toujours adopter une position de travail sûre et stable.
- Toujours tenir la machine des deux mains. Porter la machine sur le côté droit du corps.



- Veiller à ce que ni les mains, ni les pieds n'entrent en contact avec le couteau lorsque le moteur tourne.



- Toujours tenir les couteaux près du sol.
- Ramener le moteur au régime de ralenti après chaque étape de travail. Laisser le moteur tourner à pleins gaz sans lui faire subir de charge (c'est-à-dire sans la résistance que rencontre le moteur, via l'équipement de coupe, en utilisant la machine) peut endommager sérieusement le moteur.
- Faire preuve d'une extrême prudence en tirant le cultivateur vers soi pendant le travail.
- En cas de fortes vibrations, arrêter la machine. Débrancher le câble d'allumage de la bougie. Contrôler que la machine n'est pas endommagée. Réparer les dommages éventuels.

INSTRUCTIONS DE SÉCURITÉ



AVERTISSEMENT! De l'herbe ou des pierres peuvent se coincer dans les couteaux. Toujours arrêter le moteur avant de procéder au nettoyage.



AVERTISSEMENT! Attention aux objets projetés. Toujours travailler avec des protège-yeux. Ne jamais se pencher au-dessus de la protection de l'équipement de coupe. Des cailloux, débris, etc. peuvent être projetés dans les yeux et causer des blessures très graves, voire la cécité.

Maintenir à distance toutes les personnes non concernées par le travail. Les enfants, les animaux, les spectateurs et les collègues de travail devront se trouver en dehors de la zone de sécurité, soit à au moins 15 mètres. Arrêter immédiatement la machine si une personne s'approche.

Après l'utilisation, l'engrenage peut être chaud pendant un moment. Risque de brûlures au contact.

Consignes de sécurité après le travail

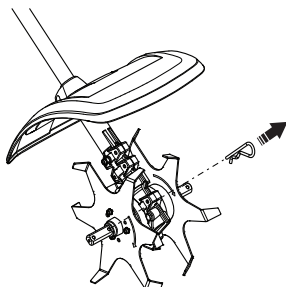


- Avant de commencer les travaux de nettoyage, de réparation ou d'inspection, s'assurer que l'équipement de coupe est arrêté. Débrancher le câble d'allumage de la bougie.
- Utiliser des gants épais pour procéder aux réparations du cultivateur.
- Utiliser uniquement des pièces de rechange d'origine pour réparer la machine.
- Ranger la machine hors de portée des enfants.

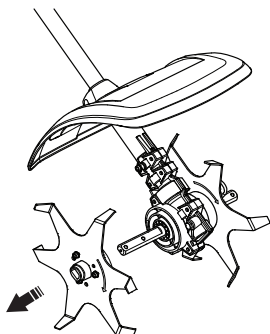
Remplacement des lames



Desserrez la goupille fendue.



Retirez l'ensemble de fraise de l'arbre de sortie du carter d'engrenage.



Montez l'ensemble de fraise sur l'arbre de sortie du carter d'engrenage. Assurez-vous que le sens de rotation s'accorde avec les fraises et sur l'engrenage. Les flèches doivent être orientées dans le même sens.

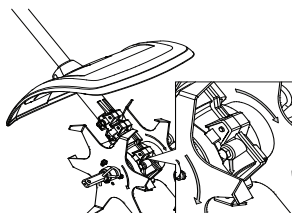
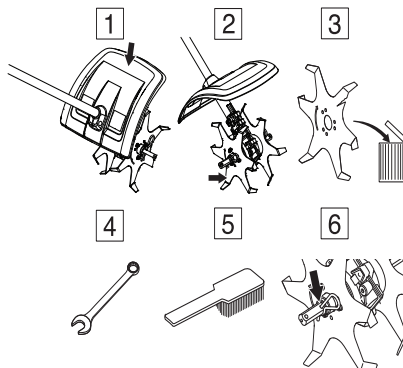


Schéma d'entretien

Nous donnons ici quelques conseils d'entretien à caractère général. Pour plus d'informations, contacter l'atelier de réparation.

Entretien quotidien



- 1 S'assurer que la protection est intacte et qu'elle ne présente pas de fissures. Remplacer la protection si elle a subi des coups ou si elle présente des fissures.
- 2 Contrôler que les couteaux ne tournent pas au ralenti.
- 3 Contrôler que les couteaux sont intacts et ne présentent ni fissures ni autres dommages. Remplacer les couteaux si nécessaire.
- 4 S'assurer que toutes les vis et tous les écrous sont bien serrés.
- 5 Nettoyer l'extérieur de la machine.
- 6 Vérifiez que les goupilles fendues et les goupilles d'assemblage sont en parfait état et correctement sécurisées.

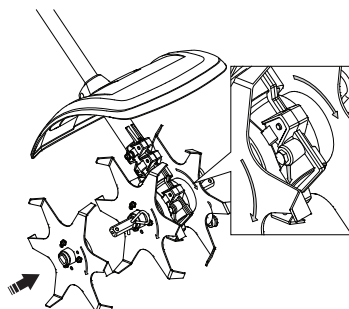
Transport et rangement

- En cas de transport, toujours utiliser les dispositifs de tension agréés et vérifier que la machine est bien attachée.
- Avant de remettre la machine pour une période prolongée, veiller à ce qu'elle soit bien nettoyée et que toutes les mesures d'entretien aient été effectuées.

Accessoires en option

2 fraises

Montez l'ensemble de fraise sur l'arbre de sortie du carter d'engrenage. Assurez-vous que le sens de rotation s'accorde avec les fraises et sur l'engrenage. Les flèches doivent être orientées dans le même sens.



CARACTÉRISTIQUES TECHNIQUES

Caractéristiques techniques

Caractéristiques techniques CA230

Poids

Poids, kg	2,9
2 fraises	2,8
4 fraises (accessoire)	3,7

Dimensions, mm

2 fraises	140
4 fraises (accessoire)	235

Émissions sonores

(voir rem. 1)

Niveau de puissance sonore mesuré dB(A)	105
Niveau de puissance sonore garanti L_{WA} dB(A)	109

Niveaux sonores

(voir remarque 2)

Pression acoustique équivalente au niveau des oreilles de l'utilisateur, mesurée selon EN ISO 22868, dB(A):

Équipée d'un accessoire homologué (d'origine)	92,4
-----------------------------------------------	------

Vibrations

(voir remarque 3)

Niveaux de vibrations équivalents (a_{hveq}) mesurés au niveau des poignées selon EN ISO 22867, en m/s^2 .

Équipée d'un accessoire homologué (d'origine), gauche/droite	4,2/6,1
--------------------------------------------------------------	---------

Remarque 1: Émission sonore dans l'environnement mesurée comme puissance acoustique (L_{WA}) selon la directive UE 2000/14/CE. Le niveau de puissance sonore reporté pour la machine a été mesuré avec l'équipement de coupe d'origine qui donne le niveau le plus élevé. Le niveau de puissance sonore garanti diffère du niveau mesuré en cela qu'il prend également en compte la dispersion et les variations d'une machine à l'autre du même modèle, conformément à la directive 2000/14/CE.

Remarque 2: Les données reportées pour le niveau de pression sonore équivalent pour la machine montrent une dispersion statistique typique (déviations standard) de 1 dB (A).

Remarque 3: Les données reportées pour le niveau de vibrations équivalent montrent une dispersion statistique typique (déviations standard) de 1 m/s^2 .

CA230		
Accessoires homologués	Type	Protection
Fraise pour motoculteur	4 lames	

Déclaration CE de conformité (Concerne seulement l'Europe)

Nous, **Husqvarna AB**, SE-561 82 Huskvarna, Suède, tél. : +46-36-146500, déclarons que l'accessoire pour motoculteur **Husqvarna/Jonsered CA230** est conforme aux dispositions de la DIRECTIVE DU CONSEIL :

- du 17 mai 2006 "directive machines" **2006/42/CE**.

Les normes harmonisées suivantes ont été appliquées: ISO 11449:1994

SMP Svensk Maskinprovning AB, Box 7035, SE-750 07 Uppsala, Suède, a procédé à des tests de type facultatifs pour le compte de Husqvarna AB. Les certificats ont les numéros: **SEC/14/2415**

Huskvarna, 20 avril 2015



Per Gustafsson, directeur du développement

(Représentant autorisé d'Husqvarna AB et responsable de la documentation technique.)

VERKLARING VAN DE SYMBOLEN

Symbolen

WAARSCHUWING!

Een cultivator kan bij onjuist of onachtzaam gebruik een gevaarlijk gereedschap zijn dat ernstig of zelfs dodelijk letsel aan de gebruiker of anderen kan toebrengen. Het is zeer belangrijk dat u de inhoud van deze gebruiksaanwijzing leest en begrijpt.

Neem de gebruiksaanwijzing grondig door en gebruik de machine niet voor u alles duidelijk heeft begrepen.

Draag altijd:

- Goedgekeurde gehoorbeschermers
- Veiligheidsbril of vizier
- U moet een ademhalingsbescherming gebruiken omdat het risico van stof bestaat.

Dit product voldoet aan de geldende CE-richtlijnen.

Waarschuwing voor draaiende messen. Let op uw handen en voeten. De pijl geeft de rotatierichting aan.

Gebruikers van de machine moeten erop toezien dat er tijdens het werk geen mensen of dieren dichterbij dan 15 meter bij de machine komen.

Gebruik altijd goedgekeurde veiligheidshandschoenen.

Gebruik stevige antisliplaarzen.

Houd alle lichaamsdelen uit de buurt van de hete oppervlakken.



Waarschuwing voor weggeslingerde en afgeketste voorwerpen.

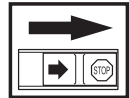


Geluidsemissie naar de omgeving volgens de richtlijnen van de Europese Gemeenschap. De emissie van de machine wordt aangegeven in het hoofdstuk Technische gegevens en op plaatjes.



Overige op de machine aangegeven symbolen/plaatjes verwijzen naar specifieke eisen aan certificering op bepaalde markten.

Controle en/of onderhoud moet altijd uitgevoerd worden met uitgeschakelde motor en de stopschakelaar in de STOP-stand.



Gebruik altijd goedgekeurde veiligheidshandschoenen.



Inhoud

VERKLARING VAN DE SYMBOLEN

Symbolen 72

INHOUD

Inhoud 73

Voor het starten moet u rekening houden met de volgende punten: 73

WAT IS WAT?

Wat is wat op het cultivatorhulpstuk? 74

VEILIGHEIDSINSTRUCTIES

Persoonlijke veiligheidsuitrusting 75

Veiligheidsuitrusting van de machine 75

Algemene veiligheidsinstructies 77

Algemene werkinstructies 78

ONDERHOUD

De bladen vervangen 80

Onderhoudsschema 80

TECHNISCHE GEGEVENS

Technische gegevens 81

EG-verklaring van overeenstemming 81

Voor het starten moet u rekening houden met de volgende punten:

Husqvarna AB werkt voortdurend aan het verder ontwikkelen van haar producten en houdt zich dan ook het recht voor om zonder aankondiging vooraf wijzigingen in o.a. vorm en uiterlijk door te voeren.

Langdurige blootstelling aan lawaai kan leiden tot permanente gehoorbeschadiging. Gebruik daarom altijd goedgekeurde gehoorbescherming.

Neem de gebruiksaanwijzing grondig door en gebruik de machine niet voor u alles duidelijk heeft begrepen.

Deze gebruiksaanwijzing is een aanvulling op de gebruiksaanwijzing die bij de machine gevoegd is. Voor overige behandeling, zie de gebruiksaanwijzing van de machine.



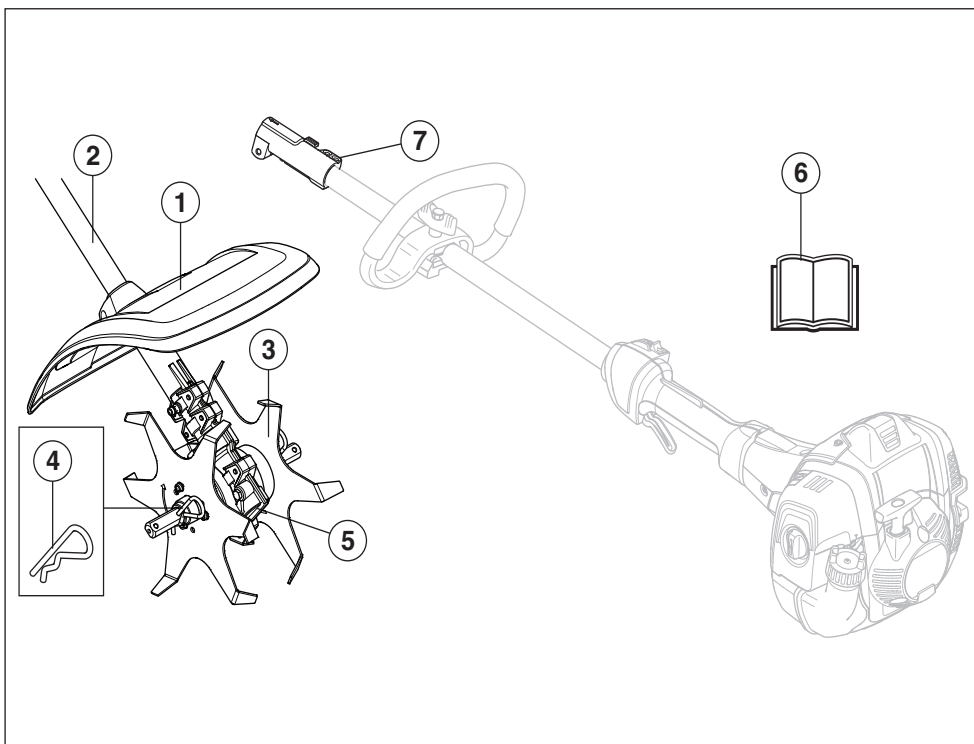
WAARSCHUWING! De oorspronkelijke vormgeving van de machine mag in geen enkel geval gewijzigd worden zonder toestemming van de fabrikant. Men moet altijd originele onderdelen gebruiken. Niet goedgekeurde wijzigingen en/of niet-originele onderdelen kunnen tot ernstige verwondingen of de dood van zowel gebruiker als omstanders leiden.



WAARSCHUWING! Deze accessoire mag alleen worden gebruikt met de daarvoor bestemde motorzeisen/trimmers, zie de rubriek "Goedgekeurde accessoires" in het hoofdstuk Technische gegevens in de gebruiksaanwijzing van de machine.

De machine is uitsluitend bedoeld om te cultiveren.

WAT IS WAT?



Wat is wat op het cultivatorhulpstuk?

- | | |
|--------------------|--------------------------------------------------|
| 1 Mesbeschermerkap | 5 Versnelling |
| 2 Steel | 6 Gebruiksaanwijzing |
| 3 Messen | 7 Steelkoppeling (onderdeel van de basismachine) |
| 4 Splitpen | |

VEILIGHEIDSIINSTRUCTIES

Persoonlijke veiligheidsuitrusting



WAARSCHUWING! Bij al het gebruik van de machine moet goedgekeurde persoonlijke beschermingsuitrusting gebruikt worden. Persoonlijke beschermingsuitrusting elimineert de risico's niet, maar vermindert het schadelijk effect in geval van een ongeval. Vraag uw dealer om raad wanneer u uw uitrusting koopt. Neem de gebruiksaanwijzing grondig door en gebruik de machine niet voor u alles duidelijk heeft begrepen.

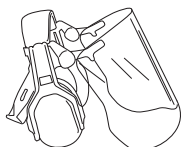


WAARSCHUWING! Wees altijd bedacht op waarschuwingssignalen of geroep wanneer u gehoorbescherming gebruikt. Doe de gehoorbescherming altijd af zodra de motor is gestopt.

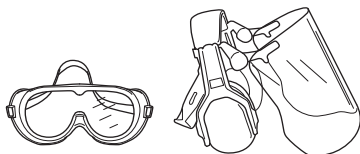
- Draag handschoenen indien nodig.



- U moet gehoorbescherming met voldoende dempvermogen dragen.



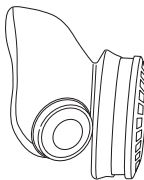
- Gebruik altijd goedgekeurde oogbescherming. Wanneer u een vizier gebruikt moet u ook een goedgekeurde veiligheidsbril gebruiken. Met een goedgekeurde veiligheidsbril wordt een bril bedoeld die voldoet aan norm ANSI Z87.1 voor de VS en EN 166 voor de EU-landen. Takken of voorwerpen die weggeslingerd worden kunnen uw ogen verwonden.



- Gebruik stevige antisliplaarzen.



- Draag altijd een dikke, lange broek, laarzen, handschoenen en een shirt met lange mouwen. Om letsel te voorkomen als gevolg van voorwerpen die in de draaiende delen terechtkomen, dient u geen wijde kleding, sjaals, sieraden etc. te dragen. Zet uw haar vast boven schouderniveau.
- U moet een ademhalingsbescherming gebruiken omdat het risico van stof bestaat.



- U moet altijd een EHBO-kit bij de hand hebben.



Veiligheidsuitrusting van de machine

In dit hoofdstuk wordt verklaard wat de veiligheidsonderdelen van de machine zijn, welke functie ze hebben en hoe de controle en het onderhoud moeten uitgevoerd worden om hun goede werking veilig te stellen. Bekijk het hoofdstuk Wat is wat? om te zien waar deze onderdelen zich bevinden op uw machine.

De levensduur van de machine kan worden verkort en het risico van ongelukken kan toenemen wanneer het onderhoud aan de machine niet op de juiste manier wordt uitgevoerd en wanneer service en/of reparaties niet vakkundig worden gedaan. Indien u meer informatie nodig heeft, verzoeken wij u contact op te nemen met de dichtstbijzijnde servicewerkplaats.

BELANGRIJK! Bij al het gebruik van de machine moet goedgekeurde persoonlijke beschermingsuitrusting gebruikt worden. Persoonlijke beschermingsuitrusting elimineert de risico's niet, maar vermindert het schadelijk effect in geval van een ongeval. Vraag uw dealer om raad wanneer u uw uitrusting koopt.



WAARSCHUWING! Gebruik nooit een machine als de veiligheidsonderdelen kapot zijn. Volg de controle-, onderhouds- en service-instructies die in dit hoofdstuk beschreven worden.

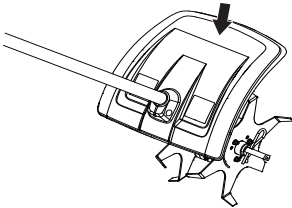
VEILIGHEIDSINSTRUCTIES

Beschermkap voor snijuitrusting



Deze beschermkap voorkomt dat losse voorwerpen in de richting van de gebruiker worden geslingerd. De beschermkap voorkomt tevens dat de gebruiker in aanraking komt met de snijuitrusting.

- Controleer of de beschermkap niet beschadigd is en geen barsten vertoont.

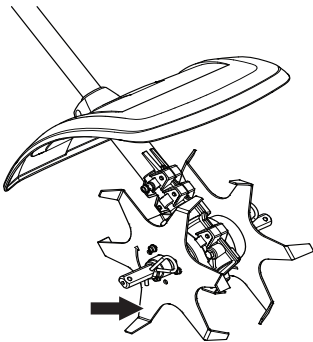


- Vervang de beschermkap als ze gebarsten is of slagen te verduren gehad heeft.

Snijuitrusting



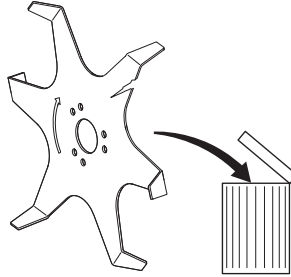
De messen zijn ontworpen en bewerkt om de belasting aan te kunnen, die tijdens cultiveren optreedt.



De twee basisregels:

- 1 Gebruik een snijuitrusting alleen samen met de door ons aanbevolen beschermkappen!

- 2 Controleer de snijuitrusting op beschadigingen en barsten. Een beschadigde snijuitrusting moet altijd vervangen worden.



WAARSCHUWING! Schakel altijd de motor uit voordat u werkzaamheden aan onderdelen van het accessoire gaat uitvoeren. Hij kan blijven draaien, zelfs nadat de gashendel is losgelaten. Zorg ervoor dat het accessoire volledig tot stilstand is gekomen en koppel de HT-kabels los van de bougie voordat u werkzaamheden gaat uitvoeren.



WAARSCHUWING! Gebruik de machine nooit wanneer de veiligheidsuitrusting defect is. De veiligheidsuitrusting van de machine moet gecontroleerd en onderhouden worden zoals beschreven in dit hoofdstuk. Als uw machine niet door alle controles komt, moet u ermee naar uw servicewerkplaats voor reparatie.

VEILIGHEIDSINSTRUCTIES

Algemene veiligheidsinstructies

BELANGRIJK!

Gebruik de machine alleen voor het beoogde doel. De machine is uitsluitend bedoeld om te cultiveren.

Gebruik de machine nooit als u moe bent, alcohol heeft gedronken of medicijnen heeft ingenomen die uw gezichtsvermogen, beoordelingsvermogen of coördinatievermogen negatief beïnvloeden.

Draag altijd persoonlijke veiligheidsuitrusting. Zie instructies in het hoofdstuk "Persoonlijke veiligheidsuitrusting".

Gebruik nooit een machine die zo gewijzigd is dat ze niet langer overeenkomt met de originele uitvoering.

Gebruik de machine nooit bij extreme klimaatomstandigheden zoals strenge kou of een zeer warm en/of vochtig klimaat.

Gebruik nooit een machine die defect is. Voer de in deze handleiding beschreven veiligheidscontroles en de onderhouds- en service-instructies uit. Bepaalde onderhouds- en servicemaatregelen moeten door opgeleide en gekwalificeerde specialisten worden uitgevoerd. Zie de instructies in het hoofdstuk Onderhoud.



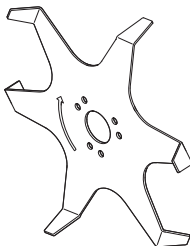
WAARSCHUWING! Defecte messen kunnen het risico op ongevallen verhogen.

- Laat nooit kinderen de machine gebruiken.
- Let erop dat tijdens de werkzaamheden niemand binnen een straal van 15 meter komt.
- Laat nooit een ander de machine gebruiken zonder u ervan te verzekeren dat ze de inhoud van de gebruiksaanwijzing hebben begrepen.
- Gebruik de cultivator alleen bij daglicht of andere goed verlichte omstandigheden.

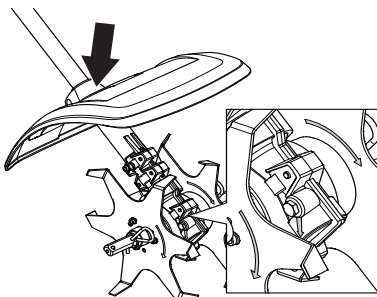
Veiligheidsvoorschriften voor de start

- Inspecteer het werktelein. Verwijder alle losse voorwerpen, zoals stenen, stukken glas, spijkers, staaldraad, touw e.d., die weggeslingerd kunnen worden of in het mes of de mesbeschermer verward kunnen raken.
- Houd onbevoegden op afstand. Kinderen, dieren, toeschouwers en medewerkers moeten zich buiten de veiligheidszone van 15 m bevinden. Schakel de machine onmiddellijk uit indien iemand dichterbij komt.
- Controleer de machine in zijn geheel voor de start. Vervang beschadigde onderdelen. Controleer of er brandstof weglekt, of alle beveiligingen en kappen heel zijn en of deze op de juiste manier zijn bevestigd. Controleer alle schroeven en moeren.

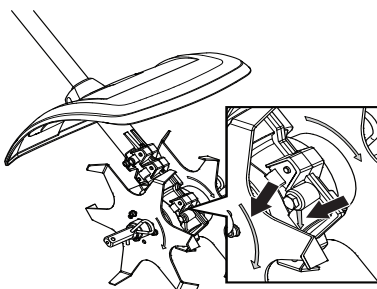
- Controleer of de messen onbeschadigd zijn en geen barsten of andere beschadigingen vertonen. Vervang de messen als dat nodig is.



- Let erop dat de mesbeschermer is aangebracht en dat deze onbeschadigd is.



- Controleer of de messen en de mesbeschermer goed vastzitten. Controleer of de draairichting overeenkomt met die van de messen en op de tandwieloverbrenging. De pijlen moeten in dezelfde richting wijzen.



- Controleer of de messen niet bewegen wanneer de motor onbelast draait.
- Zorg ervoor dat handvatten en veiligheidsvoorziening in orde zijn. Gebruik nooit een machine waarvan een onderdeel mist, of waaraan wijzigingen zijn aangebracht in afwijking van de specificaties.
- Gebruik de machine alleen voor het beoogde doel.

Bij koudstart:

- Laat de basismachine warmlopen en schakel hem vervolgens uit.
- Monteer het accessoire overeenkomstig de montage-instructies.

VEILIGHEIDSINSTRUCTIES

Algemene werkinstructies

BELANGRIJK!

Dit hoofdstuk behandelt de basisveiligheidsregels voor het werken met een cultivator.

Wanneer u in een situatie belandt waarin u niet goed weet hoe u verder te werk moet gaan, moet u een expert raadplegen. Wend u tot uw dealer of uw servicewerkplaats.

Gebruik de machine nooit voor taken waarvoor u niet voldoende gekwalificeerd bent.

Basisveiligheidsregels



Controleer de omgeving:

- Om ervoor te zorgen dat u de controle over uw machine niet kunt verliezen vanwege omstanders, dieren of een andere reden.
 - Om te voorkomen dat mensen, dieren en overigen niet in contact komen met de snijuitrusting of geraakt worden door losse voorwerpen die weggeslingerd worden door de snijuitrusting.
 - N.B.! Gebruik de machine nooit zonder de mogelijkheid hulp in te roepen in geval van nood.
- 1 Gebruik de motorkettingzaag niet in ongunstige weersomstandigheden. B.v. bij dichte mist, hevige regen, harde wind, hevige koude enz. Werken in slechte weersomstandigheden is vermoeiend en kan tot gevaarlijke situaties leiden, zoals een gladde ondergrond.
 - 2 Zorg ervoor dat u veilig kunt gaan en staan. Controleer of er eventuele hindernissen zijn als u onverwacht snel moet kunnen weggelopen (wortels, stenen, takken, kuilen, greppels enz.). Wees extra voorzichtig wanneer u op hellend terrein werkt.



- 3 Bij verplaatsen moet de motor uitgezet worden.
- 4 Wanneer de motor loopt, mag u de machine alleen neerzetten als u er een wakend oogje kunt op houden.

- 5 Tijdens het werken moet het snijgereedschap van de gebruiker weg gericht zijn. Tijdens het werken mag het gereedschap nooit naar de gebruiker toe gericht zijn, omdat dit ernstig letsel kan veroorzaken.

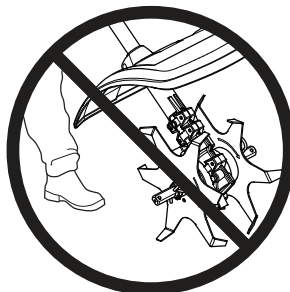
Basistechniek



- Let erop dat u tijdens het werken altijd op een veilige en stabiele ondergrond staat.
- Houd de machine altijd met beide handen vast. Houd de machine rechts van het lichaam.



- Let erop dat handen en voeten buiten het bereik van het mes blijven wanneer de motor loopt.



- Hou de messen altijd vlak boven de grond.
- Laat na elke stap van het werkproces de motor stationair draaien. Als de motor langdurig op volle toeren draait zonder dat hij belast wordt (d.w.z. zonder de weerstand die de motor bij het werken met de machine ondervindt via de snijuitrusting) kan dit tot ernstige beschadigingen van de motor leiden.
- Let extra goed op wanneer u de cultivator tijdens het werk naar u toe trekt.
- Zet de machine stil, als er hevige trillingen ontstaan. Neem de startkabel los van de bougie. Controleer of de machine is beschadigd. Repareer eventuele beschadigingen.

VEILIGHEIDSinSTRUCTIES



WAARSCHUWING! Soms blijft er gras of stenen in de messen steken. Stop de motor altijd wanneer u gaat schoonmaken.



WAARSCHUWING! Waarschuwing voor wegsplattende voorwerpen. Gebruik altijd oogbescherming. Buig u nooit over de beschermkap van de snijuitrusting heen. Stenen, afval e.d. kunnen in uw ogen terecht komen en blindheid of ernstige verwondingen veroorzaken.

Houd onbevoegden op afstand. Kinderen, dieren, toeschouwers en medewerkers moeten zich buiten de veiligheidszone van 15 m bevinden. Schakel de machine onmiddellijk uit indien iemand dichterbij komt.

Het tandwiel kan tijdens gebruik heet worden en enige tijd heet blijven. Aanraking kan brandwonden veroorzaken.

Veiligheidsvoorschriften na het voltooiën van de werkzaamheden

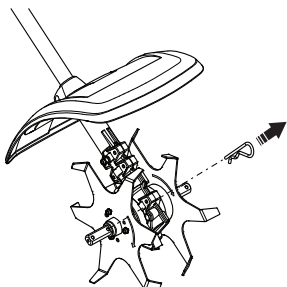


- Vóór reinigen, repareren of inspecteren moet u erop letten dat de snijuitrusting gestopt is. Haal de startkabel van de bougie.
- Gebruik sterke handschoenen wanneer u de cultivator repareert.
- Gebruik bij reparatie alleen originele reserveonderdelen.
- Bewaar de machine buiten het bereik van kinderen.

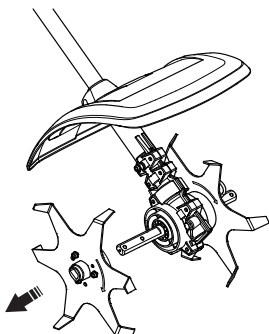
De bladen vervangen



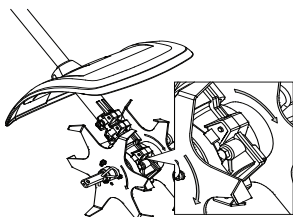
Maak de splitpen los.



Verwijder het snijgereedschap van de uitgaande as van de tandwieloverbrenging.



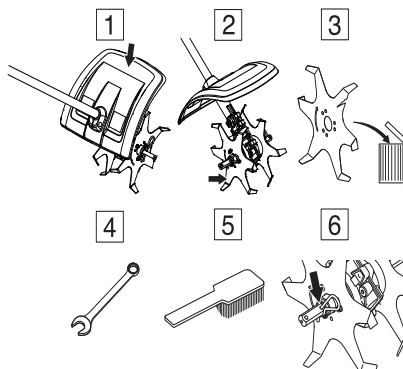
Monteer het snijgereedschap op de uitgaande as van de tandwieloverbrenging. Controleer of de draairichting overeenkomt met die van de messen en op de tandwieloverbrenging. De pijlen moeten in dezelfde richting wijzen.



Onderhoudsschema

Hieronder worden algemene onderhoudsvorschriften opgesomd. Neem contact op met uw dealer indien u meer informatie behoeft.

Dagelijks onderhoud



- 1 Controleer of de beschermkap niet beschadigd is en geen barsten vertoont. Vervang de beschermkap als ze gebarsten is of slagen te verduren gehad heeft.
- 2 Controleer of de messen niet bewegen wanneer de motor onbelast draait.
- 3 Controleer of de messen onbeschadigd zijn en geen barsten of andere beschadigingen vertonen. Vervang de messen als dat nodig is.
- 4 Controleer of de bouten en moeren en vastgedraaid zijn.
- 5 Maak de machine uitwendig schoon.
- 6 Controleer of de pennen en splitpennen onbeschadigd zijn en goed zijn vastgezet.

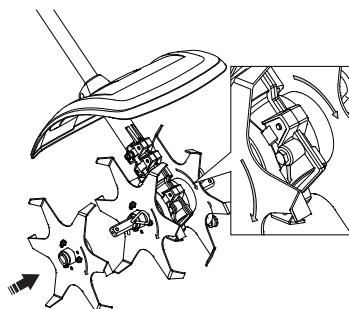
Transport en opbergen

- Bij eventueel transport moet u altijd goedgekeurd spanmateriaal gebruiken en ervoor zorgen dat de machine goed vast zit.
- Zorg ervoor dat de machine goed is schoongemaakt en dat een volledige servicebeurt is gegeven voor een lange periode van stalling.

Optionele accessoires

2x messen

Monteer het snijgereedschap op de uitgaande as van de tandwieloverbrenging. Controleer of de draairichting overeenkomt met die van de messen en op de tandwieloverbrenging. De pijlen moeten in dezelfde richting wijzen.



TECHNISCHE GEGEVENS

Technische gegevens

Technische gegevens	CA230
Gewicht	
Gewicht, in kg	2,9
2x messen	2,8
4x messen (accessoire)	3,7
Afmetingen, mm	
2x messen	140
4x messen (accessoire)	235
Lawaai-emissie	
(zie opm. 1)	
Geluidsvermogen, gemeten dB(A)	105
Geluidsvermogen, gegarandeerd L_{WA} dB(A)	109
Geluidsniveau	
(zie opm. 2)	
Equivalent geluidsdrukniveau bij het oor van de gebruiker, gemeten volgens EN ISO 22868, dB(A):	
Uitgerust met goedgekeurde accessoire (origineel)	92,4
Trillingen	
(zie opm. 3)	
Equivalent trillingsniveau ($a_{Hv,eq}$) bij handvat, gemeten overeenkomstig EN ISO 22867, m/s^2	
Uitgerust met goedgekeurde accessoire (origineel), links/rechts	4,2/6,1

Opm. 1: Emissie van geluid naar de omgeving gemeten als geluidsvermogen (L_{WA}) volgens EG-richtlijn 2000/14/EG. Het gerapporteerde geluidsvermoggenniveau voor de machine is gemeten met de originele snijuitrusting die het hoogste niveau geeft. Het verschil tussen het gegarandeerde en het gemeten geluidsvermogen is dat het gegarandeerde geluidsvermogen ook de dispersie in het meetresultaat meeneemt alsmede variaties tussen verschillende machines van hetzelfde model, conform Richtlijn 2000/14/EG.

Opm. 2: De gerapporteerde gegevens voor het equivalente geluidsdrukniveau vertonen een typische statistische spreiding (standaardafwijking) van 1 dB (A).

Opm. 3: De gerapporteerde gegevens voor het equivalente trillingsniveau vertonen een typische statistische spreiding (standaardafwijking) van 1 m/s^2 .

CA230		
Goedgekeurde accessoires	Type	Beschermkap
Snijgereedschap cultivator	4x schoepen	

EG-verklaring van overeenstemming (Alleen geldig voor Europa)

Husqvarna AB, SE-561 82 Huskvarna, Zweden, tel.: +46-36-146500, verklaart dat het opzetstuk van de cultivator **Husqvarna/Jonsered CA230** voldoet aan de vereisten van de RICHTLIJNEN VAN DE RAAD:

- van 17 mei 2006 "betreffende machines" **2006/42/EG**.

De volgende normen zijn van toepassing: ISO 11449:1994

SMP Svensk Maskinprovning AB, Box 7035, SE-750 07 Uppsala, Zweden, heeft voor Husqvarna AB een vrijwillige typekeuring uitgevoerd. De certificaten hebben nummer: **SEC/14/2415**

Huskvarna, 20 april 2015



Per Gustafsson, Hoofd Ontwikkeling
(erkende vertegenwoordiger voor Husqvarna AB en verantwoordelijk voor technische documentatie.)

ACLARACIÓN DE LOS SÍMBOLOS

Símbolos

¡ATENCIÓN!

Un motocultor puede ser una herramienta peligrosa si se usa de forma incorrecta o sin cuidado y puede causar lesiones graves o incluso mortales a quien la maneja y a quienes le rodean. Es muy importante que lea y comprenda el contenido de este manual de usuario.

Lea detenidamente el manual de instrucciones y asegúrese de entender su contenido antes de utilizar la máquina.

Utilice siempre:

- Protectores auriculares homologados
- Gafas protectoras o visor
- Utilizar mascarilla respiratoria si hay riesgo de que se levante polvo.

Este producto cumple con la directiva CE vigente.

Advertencia de cuchilla rotativa. Cuidado con las manos y los pies. La flecha indica el sentido de rotación.

Durante el trabajo, el usuario de la máquina debe procurar que ninguna persona o animal se acerque a más de 15 metros a la máquina.

Utilice siempre guantes protectores homologados.

Utilice botas antideslizantes y seguras.

Mantenga todas las partes del cuerpo lejos de las superficies calientes.



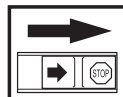
Cuidado con los objetos lanzados o rebotados.



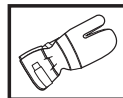
Las emisiones sonoras en el entorno según la directiva de la Comunidad Europea. Las emisiones de la máquina se indican en el capítulo Datos técnicos y en la etiqueta.

Los demás símbolos/etiquetas que aparecen en la máquina corresponden a requisitos de homologación específicos en determinados mercados.

Los controles y/o mantenimiento deben efectuarse con el motor parado, con el botón de parada en la posición STOP.



Utilice siempre guantes protectores homologados.



ÍNDICE

Índice

ACLARACIÓN DE LOS SÍMBOLOS

Símbolos 82

ÍNDICE

Índice 83

Antes de arrancar, observe lo siguiente: 83

¿QUÉ ES QUÉ?

Componentes del accesorio cultivador 84

INSTRUCCIONES DE SEGURIDAD

Equipo de protección personal 85

Equipo de seguridad de la máquina 85

Instrucciones generales de seguridad 87

Instrucciones generales de trabajo 88

MANTENIMIENTO

Sustitución de las hojas 90

Programa de mantenimiento 90

DATOS TÉCNICOS

Datos técnicos 91

Declaración CE de conformidad 91

Antes de arrancar, observe lo siguiente:

Husqvarna AB trabaja constantemente para perfeccionar sus productos y se reserva, por lo tanto, el derecho a introducir modificaciones en la construcción y el diseño sin previo aviso.

La exposición prolongada al ruido puede causar daños crónicos en el oído. Por consiguiente, use siempre protectores auriculares homologados.

Lea detenidamente el manual de instrucciones y asegúrese de entender su contenido antes de utilizar la máquina.

Estas instrucciones son complemento del manual que se adjunta a la máquina. Para más información sobre el manejo, consultar el manual de la máquina.



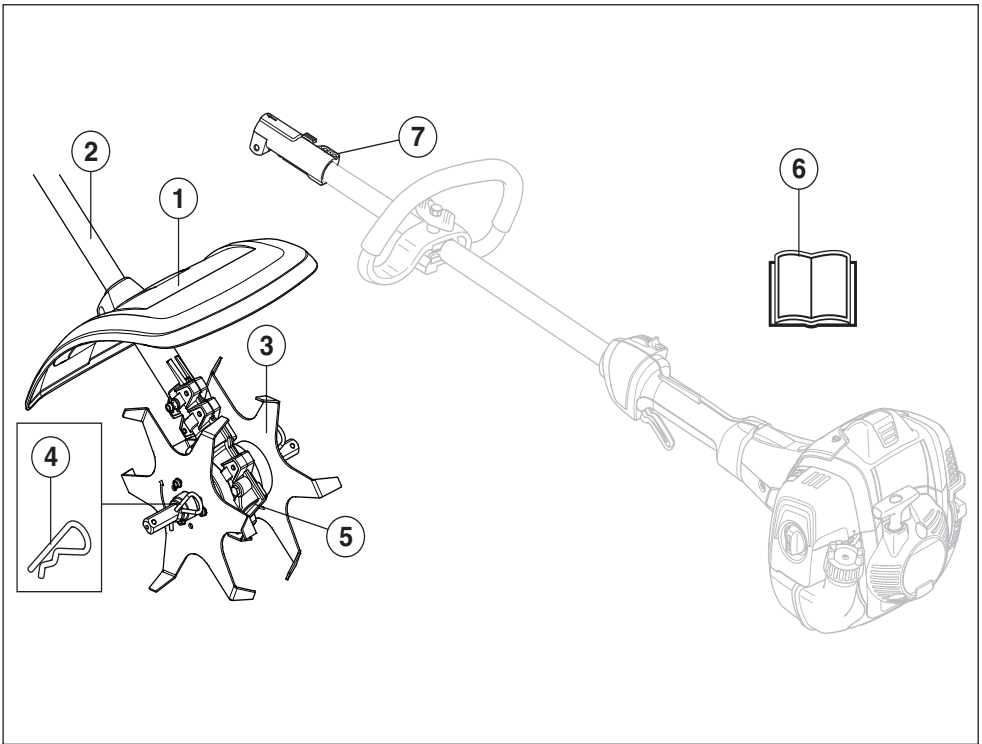
¡ATENCIÓN! Bajo ninguna circunstancia debe modificarse la configuración original de la máquina sin autorización del fabricante. Utilizar siempre recambios originales. Las modificaciones y/o la utilización de accesorios no autorizadas pueden ocasionar accidentes graves o incluso la muerte del operador o de terceros.



¡ATENCIÓN! Este accesorio sólo puede ser utilizado con las desbrozadoras/recortadoras destinadas al mismo, vea "Accesorios aprobados" en el capítulo Datos técnicos del manual de instrucciones de la máquina.

La máquina está destinada exclusivamente al cultivo.

¿QUÉ ES QUÉ?



Componentes del accesorio cultivador

- | | | | |
|---|------------------------|---|-------------------------------------------------------|
| 1 | Protección de cuchilla | 5 | Caja de engranajes |
| 2 | Tubo | 6 | Manual de instrucciones |
| 3 | Cuchillas | 7 | Acoplamiento del tubo (pertenece a la máquina básica) |
| 4 | Pasador de horquilla | | |

INSTRUCCIONES DE SEGURIDAD

Equipo de protección personal



¡ATENCIÓN! Para trabajar con la máquina debe utilizarse un equipo de protección personal homologado. El equipo de protección personal no elimina el riesgo de lesiones, pero reduce su efecto en caso de accidente. Pida a su distribuidor que le asesore en la elección del equipo. Lea detenidamente el manual de instrucciones y asegúrese de entender su contenido antes de utilizar la máquina.



¡ATENCIÓN! Cuando use protección auditiva preste siempre atención a las señales o llamados de advertencia. Sáquese siempre la protección auditiva inmediatamente después de parar el motor.

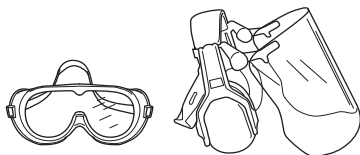
- Se deben utilizar guantes cuando sea necesario.



- Se debe utilizar protección auditiva con suficiente capacidad de reducción sonora.



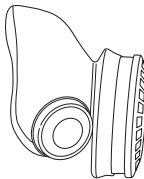
- Se debe utilizar siempre protección ocular homologada. Si se utiliza visor, deben utilizarse también gafas protectoras homologadas. Por gafas protectoras homologadas se entienden las que cumplen con la norma ANSI Z87.1 para EE.UU. o EN 166 para países de la UE. El impacto de ramas y objetos despedidos puede causar heridas en los ojos.



- Utilice botas antideslizantes y seguras.



- Lleve siempre pantalones largos y resistentes, botas, guantes y camiseta de mangas largas. Para evitar las lesiones derivadas de las piezas giratorias, no lleve ropa suelta, pañuelos, joyas, etc. Recójase el pelo para que quede siempre por encima de los hombros.
- Utilizar mascarilla respiratoria si hay riesgo de que se levante polvo.



- Tenga siempre a mano el equipo de primeros auxilios.



Equipo de seguridad de la máquina

En este capítulo se describen los componentes de seguridad de la máquina, su función y el modo de efectuar el control y el mantenimiento para garantizar un funcionamiento óptimo. En cuanto a la ubicación de estos componentes en su máquina, vea el capítulo Qué es qué.

La vida útil de la máquina puede acortarse y el riesgo de accidentes puede aumentar si el mantenimiento de la máquina no se hace de forma adecuada y si los trabajos de servicio y/o reparación no se efectúan de forma profesional. Para más información, consulte con el taller de servicio oficial más cercano.

¡IMPORTANTE! Para trabajar con la máquina debe utilizarse un equipo de protección personal homologado. El equipo de protección personal no elimina el riesgo de lesiones, pero reduce su efecto en caso de accidente. Pida a su distribuidor que le asesore en la elección del equipo.



¡ATENCIÓN! Nunca utilice una máquina con componentes de seguridad defectuosos. Siga las instrucciones de control, mantenimiento y servicio indicadas en este capítulo.

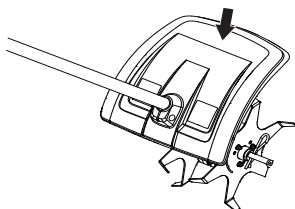
INSTRUCCIONES DE SEGURIDAD

Protección del equipo de corte



Esta protección tiene por fin evitar que el usuario reciba el impacto de objetos desprendidos. La protección evita también que el usuario entre en contacto con el equipo de corte.

- Controle que la protección no esté dañada y que no tenga grietas.

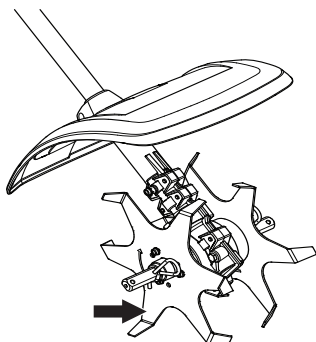


- Cambie la protección si ha estado expuesta a golpes o si tiene grietas.

Equipo de corte



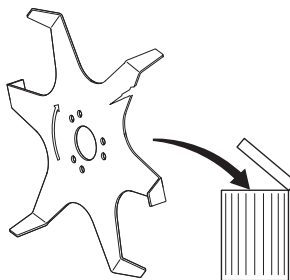
Las cuchillas están diseñadas y maquinadas para tolerar las cargas que comportan las tareas de cultivo.



Las dos reglas básicas son:

- 1 Utilice solamente los equipos de corte con las protecciones recomendadas.

- 2 Revise el equipo de corte para ver si está dañado o agrietado. Un equipo de corte dañado debe ser siempre reemplazado.



¡ATENCIÓN! Pare siempre el motor antes de trabajar con ninguna pieza del accesorio. Puede continuar moviéndose incluso después de soltar el acelerador. Asegúrese de que el accesorio ha parado completamente y desconecte los cables de la bujía antes de comenzar a trabajar en él.



¡ATENCIÓN! Nunca utilice una máquina que tenga un equipo de seguridad defectuoso. Efectúe el control y mantenimiento del equipo de seguridad de la máquina como se describió en este capítulo. Si su máquina no pasa todos los controles, entréguela a un taller de servicio para su reparación.

INSTRUCCIONES DE SEGURIDAD

Instrucciones generales de seguridad

¡IMPORTANTE!

Utilice la máquina solamente para el uso al que está destinada. La máquina está destinada exclusivamente al cultivo.

Nunca utilice la máquina si está cansado, si ha ingerido alcohol o si toma medicamentos que puedan afectarle la vista, su capacidad de discernimiento o el control del cuerpo.

Utilice el equipo de protección personal. Vea las instrucciones bajo el título "Equipo de protección personal".

No utilice nunca una máquina que haya sido modificada de modo que ya no coincida con la configuración original.

Nunca utilice la máquina en condiciones atmosféricas extremas como frío intenso o clima muy caluroso y/o húmedo.

No utilice nunca una máquina defectuosa. Lleve a cabo las comprobaciones de seguridad y siga las instrucciones de mantenimiento y servicio de este manual. Algunas medidas de mantenimiento y servicio deben ser efectuadas por especialistas formados y cualificados. Consulte las instrucciones del apartado Mantenimiento.



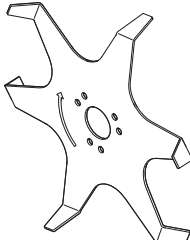
¡ATENCIÓN! Las cuchillas defectuosas pueden aumentar el riesgo de accidentes.

- No permita nunca que los niños utilicen la máquina.
- Controle que nadie se acerque a menos de 15 metros durante el trabajo.
- Nunca deje que terceros utilicen la máquina sin asegurarse primero de que hayan entendido el contenido de este manual de instrucciones.
- El cultivo debe realizarse únicamente con la luz del día o en áreas con buena iluminación.

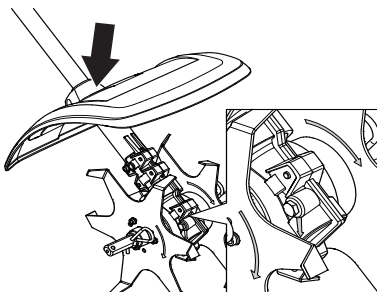
Instrucciones de seguridad antes de la puesta en marcha

- Inspeccione el lugar de trabajo. Retire todos los objetos sueltos, como piedras, cristales rotos, clavos, alambre de acero, cuerdas, etc. que puedan ser despedidos o enredarse en la cuchilla o la protección de ésta.
- Mantenga alejados a los terceros. Los niños, animales, curiosos y ayudantes deben mantenerse fuera de la zona de seguridad de 15 metros. Pare la máquina inmediatamente si alguien se acerca.

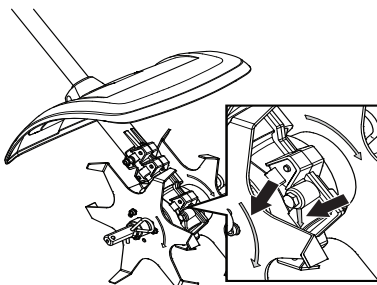
- Controle toda la máquina antes de la puesta en marcha. Cambie las piezas rotas. Compruebe que no haya fugas de combustible y que todas las protecciones y cubiertas estén en buenas condiciones y bien fijadas. Controle todos los tornillos y tuercas.
- Compruebe que las cuchillas están intactas y que no tienen grietas ni otros daños. Cambie las cuchillas si es necesario.



- Cerciórese de que la protección de la cuchilla esté montada y en buenas condiciones.



- Compruebe que las cuchillas y la protección de cuchillas están bien fijadas. Asegúrese de que el sentido de rotación concuerda con las cortadoras y con el engranaje. Las flechas deben apuntar en la misma dirección.



- Controle que las cuchillas no giren en ralentí.
- Controle que los mangos y la función de seguridad estén en buenas condiciones. No utilice nunca una máquina que carece de una pieza o que ha sido modificada fuera de las especificaciones.
- Utilice la máquina solamente para el uso al que está destinada.

INSTRUCCIONES DE SEGURIDAD

Arranque en frío:

- Haga funcionar la máquina básica hasta que esté caliente y apáguela.
- Monte el accesorio según las instrucciones de montaje.

Instrucciones generales de trabajo

¡IMPORTANTE!

Este capítulo trata las reglas de seguridad básicas para trabajar con el cultivador.

Cuando se vea en una situación insegura para continuar el trabajo, debe consultar a un experto. Póngase en contacto con su distribuidor o taller de servicio.

Evite todo uso para el cual no se sienta suficientemente calificado.

Reglas básicas de seguridad



Observe el entorno para:

- Comprobar que no hayan personas, animales, etc., que puedan influir en su control de la máquina.
 - Para evitar que personas, animales, etc. entren en contacto con el equipo de corte u objetos lanzados por el equipo de corte.
 - ¡NOTA! No use nunca una máquina si no tiene posibilidad de pedir auxilio si se produce un accidente.
- 1 No trabaje en condiciones atmosféricas desfavorables como niebla, lluvia intensa, tempestad, frío intenso, etc. Trabajar con mal tiempo es cansador y puede crear condiciones peligrosas, por ejemplo suelo resbaladizo.
 - 2 Compruebe que pueda caminar y mantenerse de pie con seguridad. Vea si hay eventuales impedimentos para desplazamientos imprevistos (raíces, piedras, ramas, fosos, zanjas, etc.). Proceda con sumo cuidado al trabajar en terreno inclinado.



- 3 Para desplazar la máquina debe pararse el motor.
- 4 No apoye nunca la máquina con el motor en marcha sin tenerla bajo control.
- 5 La herramienta de corte debe funcionar alejada del operario. Nunca trabaje con la herramienta hacia el operario, ya que esto puede provocar daños graves.

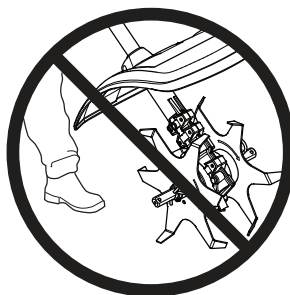
Técnica básica de trabajo



- Cerciórese siempre de tener una posición de trabajo segura y firme.
- Utilice siempre las dos manos para sostener la máquina. Sostenga la máquina a la derecha de su cuerpo.



- Cerciórese de que ni las manos ni los pies entren en contacto con la cuchilla cuando el motor está en marcha.



- Mantenga siempre las cuchillas cerca del suelo.
- Después de cada momento de trabajo reduzca siempre la velocidad del motor a ralentí. Un tiempo demasiado largo a máxima velocidad sin que el motor esté cargado (es decir sin la resistencia que el motor recibe a través del equipo de corte al trabajar con la máquina) puede averiar seriamente el motor.
- Preste especial atención cuando tire del cultivador hacia usted durante el trabajo.
- Si se producen vibraciones fuertes, pare la máquina. Desconecte el cable de encendido de la bujía. Controle que la máquina no esté dañada. Repare posibles averías.

INSTRUCCIONES DE SEGURIDAD



¡ATENCIÓN! A veces se engancha hierba o piedras en las cuchillas. Pare siempre el motor para limpiar la máquina.



¡ATENCIÓN! Cuidado con los objetos lanzados. Utilice siempre protección ocular. No se incline nunca sobre la protección del equipo de corte. Pueden salir lanzadas piedras, basura, etc. hacia los ojos y causar ceguera o heridas graves.

Mantenga alejados a los terceros. Los niños, animales, curiosos y ayudantes deben mantenerse fuera de la zona de seguridad de 15 metros. Pare la máquina inmediatamente si alguien se acerca.

El engranaje puede calentarse durante el uso y puede permanecer así durante un rato después. Podría quemarse si lo toca.

Instrucciones de seguridad después del trabajo

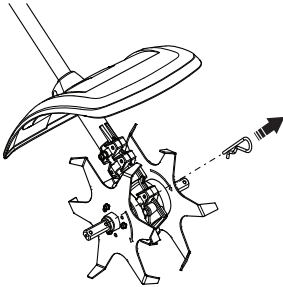


- Antes de la limpieza, reparación o inspección, cerciórese de que el equipo de corte se haya detenido. Desconecte el cable de encendido de la bujía.
- Utilice guantes resistentes para reparar el cultivador.
- Para las reparaciones, utilice solamente repuestos originales.
- Guarde la máquina fuera del alcance de los niños.

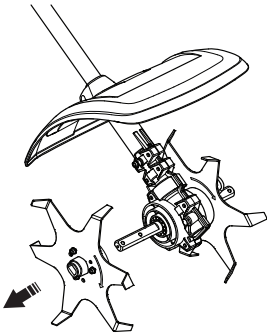
Sustitución de las hojas



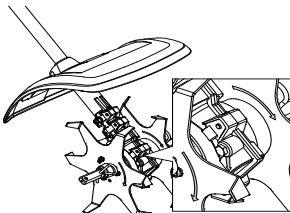
Afloje el pasador hendido.



Retire el paquete de cortadoras del eje de salida de la caja de engranajes.



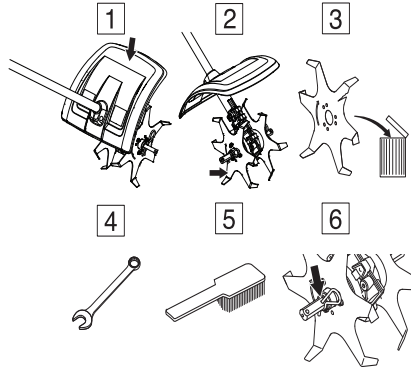
Monte el paquete de corte en el eje de salida de la caja de engranajes. Asegúrese de que el sentido de rotación concuerda con las cortadoras y con el engranaje. Las flechas deben apuntar en la misma dirección.



Programa de mantenimiento

A continuación, se indican algunas instrucciones generales de mantenimiento. Si Ud. necesita mayor información póngase en contacto con el taller de servicio.

Mantenimiento diario



- 1 Controle que la protección no esté dañada y que no tenga grietas. Cambie la protección si ha estado expuesta a golpes o si tiene grietas.
- 2 Controle que las cuchillas no giren en ralentí.
- 3 Compruebe que las cuchillas están intactas y que no tienen grietas ni otros daños. Cambie las cuchillas si es necesario.
- 4 Compruebe que los tornillos y las tuercas estén apretados.
- 5 Limpie la parte exterior de la máquina.
- 6 Compruebe que los pasadores partidos y las chavetas hendidas no estén dañados y que estén correctamente fijados.

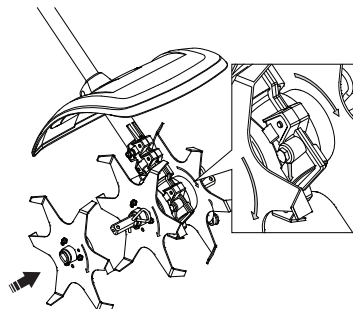
Transporte y almacenamiento

- Para transportar la máquina utilice siempre dispositivos de sujeción aprobados y asegúrese de que la máquina esté bien anclada.
- Antes del almacenaje prolongado, limpie bien la máquina y haga el servicio completo.

Accesorios opcionales

2 cortadoras

Monte el paquete de corte en el eje de salida de la caja de engranajes. Asegúrese de que el sentido de rotación concuerda con las cortadoras y con el engranaje. Las flechas deben apuntar en la misma dirección.



DATOS TECNICOS

Datos técnicos

Datos técnicos **CA230**

Peso

Peso, kg 2,9
2 cortadoras 2,8
4 cortadoras (accesorio) 3,7

Dimensiones, mm

2 cortadoras 140
4 cortadoras (accesorio) 235

Emisiones de ruido

(ver la nota 1)

Nivel de potencia acústica medido dB(A) 105
Nivel de potencia acústica garantizado L_{WA} dB(A) 109

Niveles acústicos

(vea la nota 2)

Nivel de presión sonora equivalente en la oreja del usuario, medido según EN ISO 22868, dB(A):
Equipado con accesorio homologado (original) 92,4

Vibraciones

(vea la nota 3)

Niveles de vibración equivalentes ($a_{Hv, eq}$) en las empuñaduras, medidos según la norma EN ISO 22867, m/s^2 .

Equipado con accesorio homologado (original), izquierda/derecha 4,2/6,1

Nota 1: Emisiones sonoras en el entorno medidas como potencia acústica (L_{WA}) según la directiva CE 2000/14/CE. El nivel referido de potencia sonora de la máquina se ha medido con el equipo de corte original que produce el nivel más elevado. La diferencia entre la potencia sonora garantizada y medida es que la potencia sonora garantizada también incluye la dispersión en el resultado de la medición y las variaciones entre diferentes máquinas del mismo modelo, según la Directiva 2000/14/CE.

Nota 2: Los datos referidos del nivel de presión sonora equivalente de la máquina tienen una dispersión estadística habitual (desviación típica) de 1 dB (A).

Nota 3: Los datos referidos del nivel de vibración equivalente poseen una dispersión estadística habitual (desviación típica) de 1 m/s^2 .

CA230		
Accesorios homologados	Tipo	Protección
Cultivadora cortadora	4x discos	

Declaración CE de conformidad (Rige sólo para Europa)

Nosotros, **Husqvarna AB**, SE-561 82 Huskvarna (Suecia), tel. +46-36-146500, declaramos que el accesorio de cultivadora **Husqvarna/Jonsered CA230** cumple con las disposiciones de la DIRECTIVA DEL CONSEJO:

- **2006/42/CE** «relativa a máquinas» del 17 de mayo de 2006.

Se han aplicado las siguientes normas: ISO 11449:1994

SMP Svensk Maskinprovning AB, Box 7035, SE-750 07 Uppsala, Suecia, ha efectuado un ensayo de tipo voluntario para Husqvarna AB. Los certificados tienen el número: **SEC/14/2415**

Huskvarna, 20 de abril de 2015



Per Gustafsson, Jefe de Desarrollo
(Presentante autorizado de Husqvarna AB y responsable de la documentación técnica.)

EXPLICAÇÃO DOS SÍMBOLOS

Símbolos

ATENÇÃO!

Os cultivadores, se forem usados de forma indevida ou incorrecta, podem ser perigosos, causando ferimentos graves ou mortais no utilizador ou noutras pessoas. É extremamente importante que leia e compreenda o conteúdo deste Manual do utilizador.

Leia as instruções para o uso com toda a atenção e compreenda o seu conteúdo antes de fazer uso da máquina.

Use sempre:

- Protectores acústicos aprovados
- Óculos ou viseira de protecção
- Dado o risco de poeira, deve-se usar protecção respiratória.

Este produto está conforme as directivas em validade da CE.

Aviso de facas em rotação.

Cuidado com a mãos e os pés. A seta indica o sentido de rotação.

O operador da máquina deve verificar que não se encontre qualquer pessoa ou animal menos de 15 metros, durante o trabalho.

Use sempre luvas de protecção aprovadas.

Use botas estáveis e antidesslizantes.

Mantenha todas as partes do seu corpo afastadas das superfícies quentes.



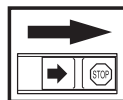
Aviso para objectos lançados e ricochete.



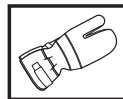
Emissões sonoras para o meio ambiente conforme directiva da Comunidade Europeia. A emissão da máquina é indicada no capítulo Especificações técnicas e no autocolante.

Os restantes símbolos e autocolantes existentes na máquina dizem respeito a exigências específicas para homologação em alguns países.

Controlo e/ou manutenção devem ser efectuados com o motor desligado, com o contacto de paragem na posição STOP.



Use sempre luvas de protecção aprovadas.



ÍNDICE

Índice

EXPLICAÇÃO DOS SÍMBOLOS

Símbolos 92

ÍNDICE

Índice 93

Antes de arrancar, observe o seguinte: 93

COMO SE CHAMA?

Como se chama acessório cultivador? 94

INSTRUÇÕES DE SEGURANÇA

Equipamento de protecção pessoal 95

Equipamento de segurança da máquina 95

Instruções gerais de segurança 97

Instruções gerais de trabalho 98

MANUTENÇÃO

Substituir as lâminas 100

Esquema de manutenção 100

ESPECIFICAÇÕES TÉCNICAS

Especificações técnicas 101

Certificado CE de conformidade 101

Antes de arrancar, observe o seguinte:

Husqvarna AB efectua o desenvolvimento contínuo dos seus produtos, reservando-se o direito de introduzir modificações referentes, entre outros, ao aspecto e forma dos mesmos sem aviso prévio.

A exposição prolongada a ruídos pode provocar danos auditivos permanentes. Por isso, use sempre protectores acústicos aprovados.

Leia as instruções para o uso com toda a atenção e compreenda o seu conteúdo antes de fazer uso da máquina.

Este manual de instruções é um complemento ao manual que acompanha a máquina. Para as demais instruções de operação, consultar o manual de instruções da máquina.



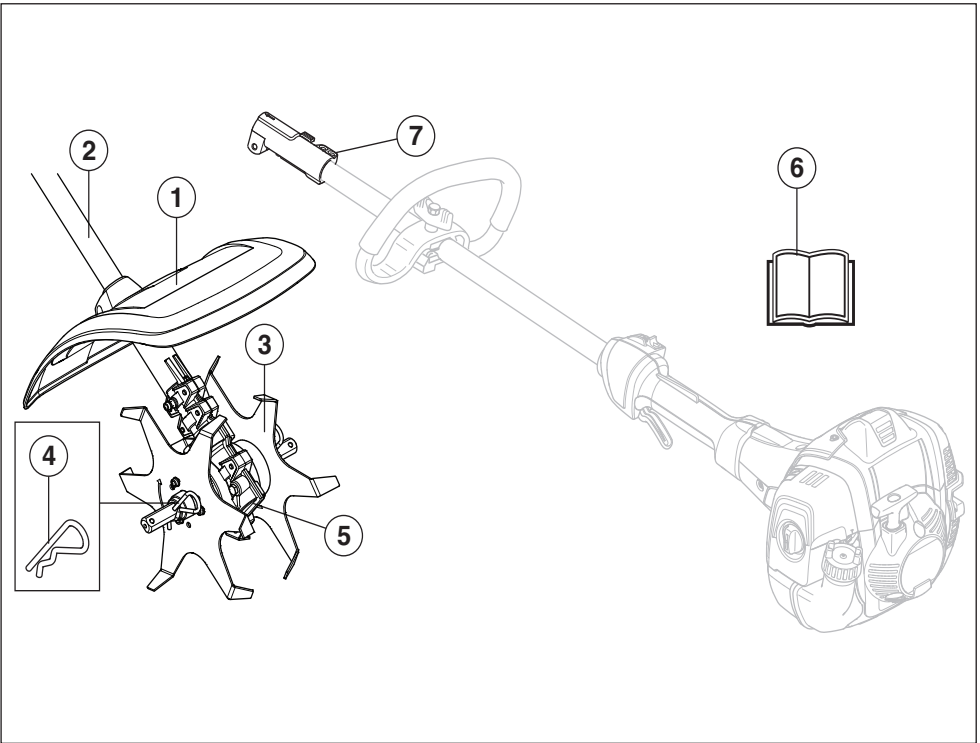
ATENÇÃO! Sob nenhuma circunstância é permitido modificar a configuração original da máquina sem a autorização expressa do fabricante. Devem usar-se sempre acessórios originais. Modificações e/ou acessórios não autorizados podem acarretar em sérias lesões ou perigo de vida para o utilizador ou outros.



ATENÇÃO! Este acessório só pode ser usado em serras de roçadura/recortadores para ele homologados. Veja em "Acessórios recomendados" no capítulo Especificações técnicas do manual de instruções para o uso da máquina.

A máquina destina-se apenas a agricultura.

COMO SE CHAMA?



Como se chama acessório cultivador?

- | | | | |
|---|-------------------|---|-----------------------------------------------------------|
| 1 | Protector da faca | 5 | Caixa de engrenagem |
| 2 | Tubo | 6 | Instruções para o uso |
| 3 | Facas | 7 | Acoplamento do tubo (pertence à versão básica da máquina) |
| 4 | Pino ranhurado | | |

INSTRUÇÕES DE SEGURANÇA

Equipamento de protecção pessoal



ATENÇÃO! Em quaisquer circunstâncias de utilização da máquina deve ser utilizado equipamento de protecção pessoal aprovado. O equipamento de protecção pessoal não elimina o risco de lesão mas reduz os seus efeitos em caso de acidente. Consulte o seu concessionário na escolha do equipamento. Leia as instruções para o uso com toda a atenção e compreenda o seu conteúdo antes de fazer uso da máquina.



ATENÇÃO! Esteja sempre atento a sinais de alarme ou avisos de viva voz quando usar protectores acústicos. Retire os protectores acústicos logo que o motor tenha parado.

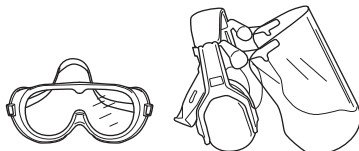
- Deve-se usar luvas quando necessário.



- Devem-se usar protectores acústicos com suficiente insonorização.



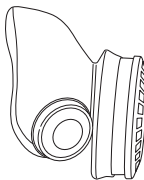
- Deve sempre usar-se protecção ocular aprovada. Mesmo que se use viseira, devem usar-se óculos de protecção aprovados. Consideram-se óculos de protecção aprovados, os que estejam conformes com a norma ANSI Z87.1 nos EUA ou EN 166 nos países da UE. O embate de ramos ou objectos arremessados podem ferir os olhos.



- Use botas estáveis e antidesslizantes.



- Use sempre calças compridas e resistentes, botas, luvas e uma camisola de manga comprida. Para reduzir o risco de ferimentos associados ao facto de os objectos ficarem presos nas peças rotativas, não use roupa larga, lenços, jóias, etc. Prenda o cabelo acima dos ombros.
- Dado o risco de poeira, deve-se usar protecção respiratória.



- Os primeiros socorros devem sempre estar à mão.



Equipamento de segurança da máquina

Nesta secção esclarecem-se quais são as peças de segurança da máquina, que função desempenham e ainda como efectuar o controlo e a manutenção para se certificar da sua operacionalidade. Ver capítulo Como se chama?, para localizar onde estas peças se encontram na sua máquina.

A duração da máquina pode ser afectada e o perigo de acidentes pode aumentar se a manutenção da máquina não for correcta e se as revisões e reparações não forem executadas de forma profissional. Se necessitar de mais esclarecimentos, entre em contacto com uma oficina autorizada.

IMPORTANTE! Em quaisquer circunstâncias de utilização da máquina deve ser utilizado equipamento de protecção pessoal aprovado. O equipamento de protecção pessoal não elimina o risco de lesão mas reduz os seus efeitos em caso de acidente. Consulte o seu concessionário na escolha do equipamento.



ATENÇÃO! Nunca use uma máquina com peças de segurança defeituosas. Siga as instruções de controlo, manutenção e assistência técnica listadas nesta secção.

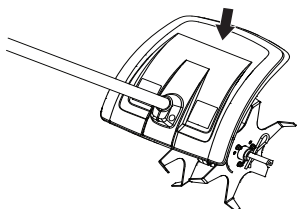
INSTRUÇÕES DE SEGURANÇA

Protecção do equipamento de corte



Esta protecção destina-se a evitar que objectos soltos sejam lançados contra o utente. A protecção evita também que o utente entre em contacto com o equipamento de corte.

- Verifique se a protecção está em bom estado e sem rachaduras.

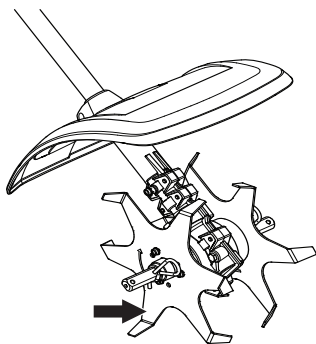


- Troque a protecção se esta foi golpeada ou se tem rachaduras.

Equipamento de corte



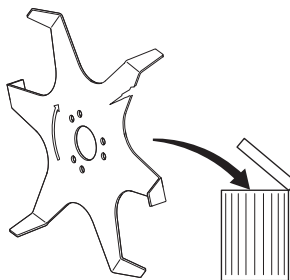
As facas estão desenhadas e tratadas para aguentar os esforços a que são sujeitas em trabalhos de agricultura.



As duas regras básicas:

- 1 Utilize apenas o equipamento de corte com a protecção recomendada!

- 2 Verifique se o equipamento de corte está danificado ou com rachaduras. Um equipamento de corte danificado deve sempre ser substituído.



ATENÇÃO! Desligue sempre o motor antes de trabalhar em qualquer parte do acessório. Este pode continuar a mover-se, mesmo depois de soltar o acelerador. Certifique-se de que o acessório está completamente parado e desligue os cabos de alta tensão da vela de ignição antes de começar a trabalhar nele.



ATENÇÃO! Nunca use uma máquina com equipamento de segurança defeituoso. O equipamento de segurança da máquina deverá ser controlado e a sua manutenção feita conforme se descreve nesta secção. Se a sua máquina não satisfizer a algum desses controlos, deverá ser enviada a uma oficina autorizada para reparação.

INSTRUÇÕES DE SEGURANÇA

Instruções gerais de segurança

IMPORTANTE!

Use a máquina somente para as funções a que a mesma se destina. A máquina destina-se apenas a agricultura.

Nunca use a máquina se estiver cansado, se bebeu álcool ou se toma remédios que podem influir na sua visão, discernimento ou controlo sobre o corpo.

Use equipamento de protecção pessoal. Ver as instruções na secção "Equipamento de protecção pessoal".

Nunca use uma máquina que foi modificada a ponto de não mais corresponder à construção original.

Nunca utilize a máquina em condições climáticas extremas, tais como frio muito intenso ou tempo muito quente e/ou húmido.

Nunca use uma máquina defeituosa. Efectue as verificações de segurança e cumpra as instruções de manutenção e assistência técnica contidas neste manual. Alguns serviços de manutenção e de assistência técnica deverão ser executados por especialistas qualificados. Consulte as instruções na secção Manutenção.



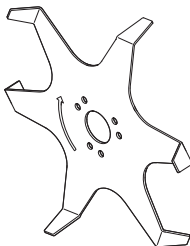
ATENÇÃO! Facas defeituosas podem aumentar o risco de acidente.

- Nunca permita que crianças utilizem a máquina.
- Providencie para que ninguém esteja a menos de 15 m do local de trabalho.
- Nunca permita que outra pessoa utilize a máquina sem estar certo de que a mesma entendeu o conteúdo do manual de instruções.
- O cultivo deve apenas realizar-se durante o dia ou em condições de iluminação forte e adequada.

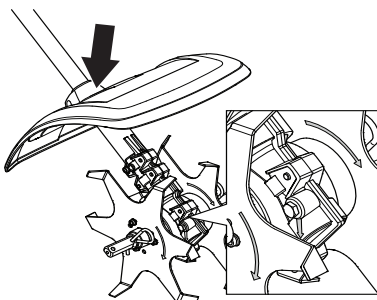
Instruções de segurança antes de arrancar

- Inspeccione o local de trabalho. Remova todos os objectos soltos, tais como pedras, fragmentos de vidro, pregos, arames de aço, cordéis, etc., que possam ser arremessados ou enredar-se na faca e na protecção da faca.
- Mantenha estranhos ao trabalho afastados. Crianças, animais, espectadores e ajudantes deverão ficar fora da zona de segurança de 15 metros. Pare a máquina imediatamente se alguém se aproximar.
- Verifique toda a máquina antes de arrancar. Substitua peças danificadas. Verifique se não há fugas de combustível e se todas as protecções e coberturas estão completas e devidamente fixas. Controle todos os parafusos e porcas.

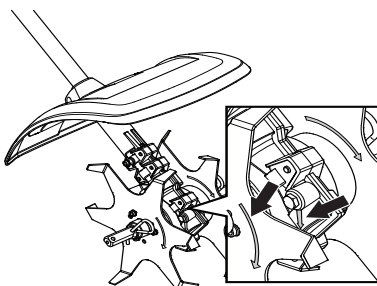
- Verifique se as facas estão intactas e se não têm fendas ou estão danificadas de outra forma. Mude as facas se necessário.



- Zele para que a protecção da faca esteja montada e em perfeito estado.



- Verifique se as facas e a protecção das facas estão fixas correctamente. Certifique-se de que o sentido de rotação das cortadoras está de acordo com a indicação na engrenagem. As setas têm de apontar na mesma direcção.



- Certifique-se que as facas não se movem na marcha em vazio.
- Certifique-se de que os punhos e os dispositivos de segurança estão em ordem. Nunca utilize uma máquina em que faltem peças ou cujas especificações tenham sido indevidamente alteradas.
- Use a máquina somente para as funções a que a mesma se destina.

INSTRUÇÕES DE SEGURANÇA

Ao arrancar a frio:

- Execute o aquecimento da máquina básica e, em seguida, desligue a máquina.
- Monte o acessório, de acordo com as instruções de montagem.

Instruções gerais de trabalho

IMPORTANTE!

Esta secção aborda regras básicas de segurança para o trabalho com a máquina de cultivar.

Se você se sentir inseguro sobre o modo de prosseguir com o trabalho, consulte um especialista. Dirija-se ao seu revendedor ou à sua oficina autorizada.

Evite toda a forma de uso para a qual se sinta insuficientemente qualificado.

Regras básicas de segurança



Observe a vizinhança:

- Para assegurar-se de que pessoas, animais ou outro factor não possam interferir no seu controlo sobre a máquina.
 - Para evitar que pessoas, animais ou outros possam entrar em contacto com o equipamento de corte ou objectos soltos que possam ser arremessados à distância pelo equipamento de corte.
 - **NOTA!** Nunca use uma máquina sem que possa pedir ajuda em caso de acidente.
- 1 Evite o uso em condições meteorológicas desfavoráveis. Por exemplo, em denso nevoeiro, chuva e vento fortes, frio intenso, etc. Trabalhar com mau tempo é cansativo e pode levar a situações perigosas, tais como ir para terreno escorregadio.
 - 2 Certifique-se de que pode andar e estar de pé com segurança. Tenha cuidado com eventuais obstáculos em caso de um deslocamento inesperado (raízes, pedras, galhos, buracos, valas, etc.). Use de extrema precaução ao trabalhar em terreno inclinado.



- 3 Desligue o motor antes de se deslocar.
- 4 Nunca pouse a máquina com o motor em funcionamento sem que a tenha bem vigiada.
- 5 A ferramenta de corte tem de estar afastada do operador durante o funcionamento. Nunca trabalhe com a ferramenta virada para o operador, uma vez que isso pode causar ferimentos graves.

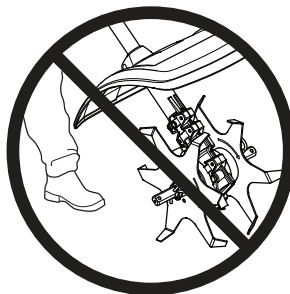
Técnicas básicas de trabalho



- Certifique-se de que tem uma posição de trabalho segura e estável.
- Use sempre ambas as mãos para segurar a máquina. Mantenha a máquina do lado direito do corpo.



- Certifique-se de que as mãos e pés não entram em contacto com a faca quando o motor está a funcionar.



- Mantenha sempre as facas perto do solo.
- Deixe o motor baixar para a marcha em vazio após cada momento de trabalho. Aceleração total por muito tempo, sem carga para o motor (i. é, sem a resistência que o motor experimenta através do equipamento de corte durante o trabalho com a máquina), pode causar sérios danos ao motor.
- Durante o trabalho esteja especialmente atento ao puxar a máquina de cultivar na sua direcção.
- Se ocorrerem fortes vibrações, pare a máquina. Remova o cabo da vela de ignição. Verifique se a máquina não sofreu danos. Repare danos eventuais.

INSTRUÇÕES DE SEGURANÇA



ATENÇÃO! Ocasionalmente, ervas e pedras ficam presas nas facas. Pare sempre o motor para limpar as facas.



ATENÇÃO! Cuidado com o arremesso de objectos. Use sempre protecção ocular. Nunca se incline sobre a protecção do equipamento de corte. Pedras, detritos, etc. podem ser projectados para os olhos e causar cegueira ou outros ferimentos sérios.

Mantenha estranhos ao trabalho afastados. Crianças, animais, espectadores e ajudantes deverão ficar fora da zona de segurança de 15 metros. Pare a máquina imediatamente se alguém se aproximar.

A engrenagem pode ficar quente durante a utilização e manter-se assim durante algum tempo. Pode queimar-se se tocar na engrenagem.

Instruções de segurança depois de terminar o trabalho



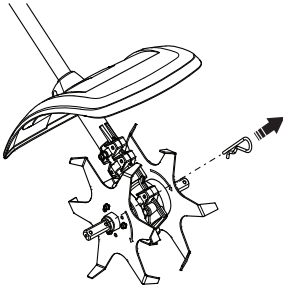
- Antes da limpeza, reparação ou inspecção, certifique-se de que o equipamento de corte parou. Retire o cabo da vela de ignição.
- Ao efectuar trabalhos de reparação na máquina de cultivar, use sempre luvas de trabalho grossas.
- Use somente peças originais nas reparações.
- Mantenha a máquina fora do alcance de crianças.

MANUTENÇÃO

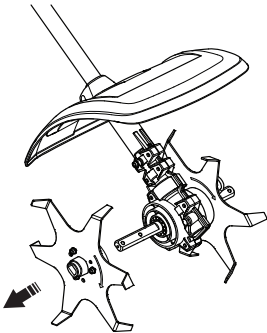
Substituir as lâminas



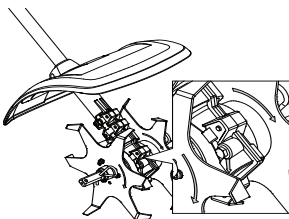
Desaperte o pino ranhurado.



Retire o pacote da cortadora do eixo de saída da caixa de engrenagem.



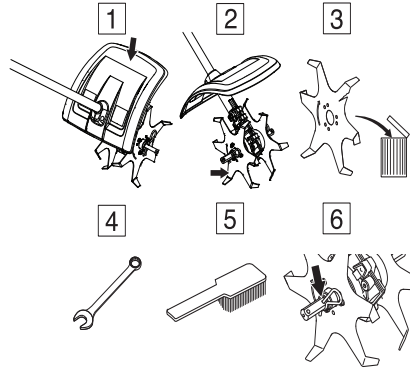
Monte o conjunto do equipamento de corte no eixo de saída da caixa de engrenagem. Certifique-se de que o sentido de rotação das cortadoras está de acordo com a indicação na engrenagem. As setas têm de apontar na mesma direcção.



Esquema de manutenção

Seguem abaixo algumas instruções gerais de manutenção. Se necessitar de maiores informações, consulte uma oficina autorizada.

Controle diário



- 1 Verifique se a protecção está em bom estado e sem rachaduras. Troque a protecção se esta foi sujeita a golpes ou se tem rachaduras.
- 2 Certifique-se que as facas não se movem na marcha em vazio.
- 3 Verifique se as facas estão intactas e se não têm fendas ou estão danificadas de outra forma. Mude as facas se necessário.
- 4 Verifique se os parafusos e porcas estão apertados.
- 5 Limpe a máquina externamente.
- 6 Verifique que os pinos ranhurados e os contra-pinos não apresentam danos e se encontram correctamente fixados.

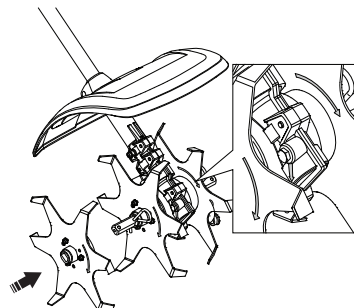
Transporte e armazenagem

- Caso se decida por transporte, utilizar sempre mecanismos de fixação devidamente homologadas e verificar se a máquina está bem fixa.
- Certifique-se de que a máquina foi cuidadosamente limpa e submetida a uma revisão completa antes de ser armazenada por tempo prolongado.

Acessórios opcionais

2 cortadoras

Monte o conjunto do equipamento de corte no eixo de saída da caixa de engrenagem. Certifique-se de que o sentido de rotação das cortadoras está de acordo com a indicação na engrenagem. As setas têm de apontar na mesma direcção.



ESPECIFICAÇÕES TÉCNICAS

Especificações técnicas

Especificações técnicas	CA230
Peso	
Peso, kg	2,9
2 cortadoras	2,8
4 cortadoras (acessório)	3,7
Dimensões, mm	
2 cortadoras	140
4 cortadoras (acessório)	235
Emissões de ruído	
(ver nota 1)	
Nível de potência sonora, medido em dB(A)	105
Nível de potência sonora, L_{WA} garantido dB(A)	109
Níveis acústicos	
(ver nota 2)	
Nível de pressão sonora equivalente, junto do ouvido do utente, medido conforme EN ISO 22868, dB(A): Equipado com acessório aprovado (original)	92,4
Vibrações	
(ver nota 3)	
Níveis de vibração equivalente ($a_{hv,eq}$) nos punhos, medidos de acordo com a norma EN ISO 22867, m/s^2 Equipado com acessório aprovado (original), esquerda/direita	4,2/6,1

Nota 1: Emissões sonoras para as imediações, medidas sob forma de potência sonora (L_{WA}) conforme a directiva da CE 2000/14/CE. O nível de potência sonora registado para a máquina foi medido com o equipamento de corte original que debita o nível mais alto. A diferença entre a potência sonora garantida e medida é que a potência sonora garantida inclui também a dispersão no resultado da medição e as variações entre diferentes máquinas do mesmo modelo, de acordo com a Directiva 2000/14/CE.

Nota 2: Os dados registados para o nível de pressão de ruído equivalente para a máquina tem uma dispersão estatística típica (desvio padrão) de 1 dB (A).

Nota 3: Os dados registados para o nível de vibração equivalente têm uma dispersão estatística típica (desvio padrão) de 1 m/s^2

CA230		
Acessórios aprovados	Tipo	Protecção
Cultivador	4 lâminas	

Certificado CE de conformidade (Válido unicamente na Europa)

A **Husqvarna AB**, SE-561 82 Huskvarna, Suécia, tel.: +46-36-146500, declara que o acessório cultivador **Husqvarna/ Jonsered CA230** cumpre as disposições constantes na DIRETIVA DO CONSELHO:

- de 17 de Maio de 2006 "referente a máquinas" **2006/42/CE**.

Foram respeitadas as normas seguintes: ISO 11449:1994

O controle de tipo, facultativo, foi efectuado por SMP Svensk Maskinprovning AB, Box 7035, SE-750 07 Uppsala, Suécia por incumbência de Husqvarna AB. Os certificados têm os números: **SEC/14/2415**

Huskvarna, 20 de abril de 2015



Per Gustafsson, Chefe de Desenvolvimento
(Representante autorizado da Husqvarna AB e responsável pela documentação técnica.)

SIMBOLOGIA

Simboli

AVVERTENZA!

Se utilizzata in modo improprio o non corretto, la zappatrice può essere un attrezzo pericoloso in grado di provocare gravi lesioni, persino mortali, all'operatore o altre persone. È estremamente importante leggere e comprendere il contenuto di questo manuale dell'operatore.

Prima di usare la macchina, leggere per intero le istruzioni per l'uso e accertarsi di averne compreso il contenuto.

Usare sempre:

- Protezioni acustiche omologate
- Occhiali o visiera di protezione
- Usare la mascherina nel caso in cui esista il rischio di polvere.

Il presente prodotto è conforme alle vigenti direttive CEE.

Attenzione al coltello in rotazione. Attenzione a mani e piedi. La freccia indica la direzione di rotazione.

Durante il lavoro l'utilizzatore della macchina deve accertarsi che non ci siano persone o animali in un raggio di 15 metri.

Utilizzare sempre guanti protettivi omologati.

Usare stivali robusti e antisdrucciolo.

Tenere le parti del corpo lontano dalle superfici roventi.



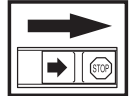
Pericolo di proiezione di oggetti e particelle.



Emissioni di rumore nell'ambiente in base alla direttiva della Comunità Europea. L'emissione della macchina è indicata al capitolo Dati tecnici e sulla decalcomania.

I restanti simboli/decalcomanie riguardano particolari requisiti necessari per ottenere la certificazione in alcuni mercati.

Il controllo e/o la manutenzione vanno eseguiti a motore spento, con il pulsante di arresto in posizione STOP.



Utilizzare sempre guanti protettivi omologati.



Indice

SIMBOLOGIA

Simboli 102

INDICE

Indice 103

Prima dell'avviamento osservare quanto segue: .. 103

CHE COSA C'È?

Identificazione delle parti del kit motozappa 104

NORME DI SICUREZZA

Abbigliamento protettivo 105

Dispositivi di sicurezza della macchina 105

Norme generali di sicurezza 107

Istruzioni generali di lavoro 108

MANUTENZIONE

Sostituzione dei dischi 110

Schema di manutenzione 110

CARATTERISTICHE TECNICHE

Caratteristiche tecniche 111

Dichiarazione di conformità CE 111

Prima dell'avviamento osservare quanto segue:

La Husqvarna AB procede costantemente allo sviluppo dei propri prodotti e si riserva quindi il diritto di apportare, senza alcun preavviso, modifiche riguardanti fra l'altro la forma e l'aspetto esteriore.

Una lunga esposizione al rumore può comportare lesioni permanenti all'udito. Usare quindi sempre cuffie di protezione omologate.

Prima di usare la macchina, leggere per intero le istruzioni per l'uso e accertarsi di averne compreso il contenuto.

Il presente libretto integra le istruzioni per l'uso allegate alla macchina. Per le altre funzioni, vedere il libretto di istruzioni per l'uso della macchina.



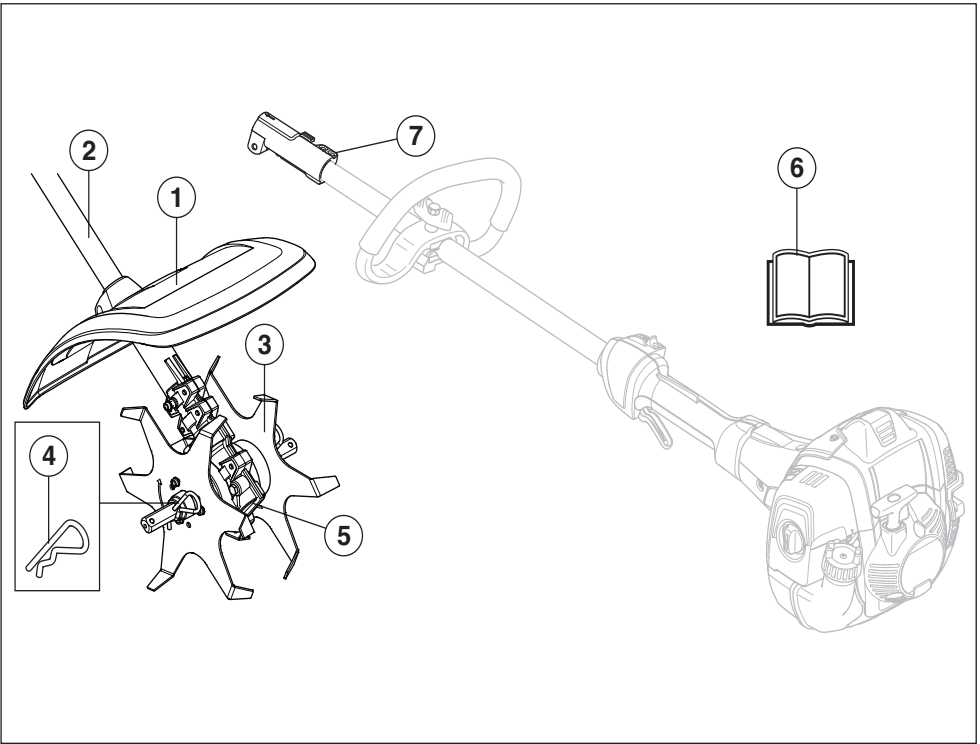
AVVERTENZA! Evitare assolutamente di modificare la versione originale della macchina senza l'autorizzazione del fabbricante. Usare sempre accessori originali. Modifiche e/o accessori non autorizzati possono causare lesioni gravi o mortali all'operatore o a terzi.



AVVERTENZA! Questo accessorio può essere usato solo con alcuni tipi di decespugliatori/bordatori appositamente studiati (vedere alla voce "Accessori omologati", al capitolo Dati Tecnici, nel manuale delle istruzioni della macchina).

Questa macchina è progettata esclusivamente per zappare.

CHE COSA C'È?



Identificazione delle parti del kit motozappa

- | | | | |
|---|-------------------------|---|-----------------------------------------------------------|
| 1 | Protezione del coltello | 5 | Scatola ingranaggi |
| 2 | Albero cavo | 6 | Istruzioni per l'uso |
| 3 | Coltelli | 7 | Raccordo dell'albero cavo (appartiene alla macchina base) |
| 4 | Spina | | |

NORME DI SICUREZZA

Abbigliamento protettivo



AVVERTENZA! Lavorando con la macchina usare sempre abbigliamento protettivo omologato. L'uso di abbigliamento protettivo non elimina i rischi di lesioni, ma riduce gli effetti del danno in caso di incidente. Consigliatevi con il vostro rivenditore di fiducia per la scelta dell'attrezzatura adeguata. Prima di usare la macchina, leggere per intero le istruzioni per l'uso e accertarsi di averne compreso il contenuto.

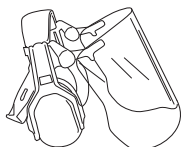


AVVERTENZA! Far sempre attenzione a segnali di allarme o chiamate quando usate le cuffie protettive. Togliere sempre le cuffie protettive immediatamente all'arresto del motore.

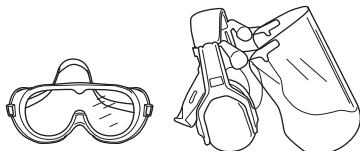
- Usare i guanti quando è necessario.



- Usare cuffie protettive con effetto insonorizzante adeguato.



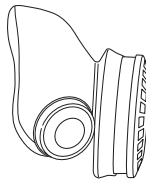
- Usare sempre protezione per gli occhi omologata. Con l'uso della visiera è necessario anche l'uso di occhiali protettivi omologati. Con il termine occhiali protettivi omologati si intendono occhiali che siano conformi alle norme ANSI Z87.1 per gli USA o EN 166 per i paesi EU. I rami o altri oggetti scagliati possono danneggiare gli occhi.



- Usare stivali robusti e antisdrucciolo.



- Indossare sempre pantaloni lunghi e pesanti, stivali, guanti e una maglia a maniche lunghe. Per ridurre il rischio di lesioni dovute ad oggetti scagliati dalle parti rotanti, raccogliere i capelli sopra le spalle e non indossare indumenti slacciati, sciarpe, collane, ecc.
- Usare la mascherina nel caso in cui esista il rischio di polvere.



- Tenere sempre a portata di mano la cassetta di pronto soccorso.



Dispositivi di sicurezza della macchina

In questo capitolo vengono presentati i dispositivi di sicurezza della macchina, la loro funzione, il controllo e la manutenzione necessari per assicurarne una funzione ottimale. Vedi al capitolo Che cosa c'è?, per individuare la posizione di questi componenti sulla macchina.

La durata della macchina può ridursi e il rischio di incidenti aumentare se la manutenzione non viene eseguita correttamente e se l'assistenza e/o le riparazioni non vengono effettuate da personale qualificato. Per ulteriori informazioni rivolgersi alla più vicina officina di assistenza.

IMPORTANTE! Lavorando con la macchina usare sempre abbigliamento protettivo omologato. L'uso di abbigliamento protettivo non elimina i rischi di lesioni, ma riduce gli effetti del danno in caso di incidente. Consigliatevi con il vostro rivenditore di fiducia per la scelta dell'attrezzatura adeguata.



AVVERTENZA! Non usare mai una macchina con dispositivi di sicurezza difettosi. Seguire le istruzioni per il controllo, la manutenzione e il servizio.

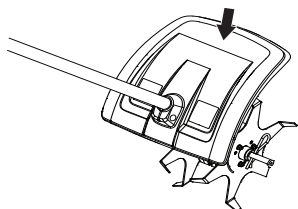
NORME DI SICUREZZA

Protezione del gruppo di taglio



Questa protezione mira ad impedire che vengano lanciati oggetti dal gruppo di taglio contro l'utilizzatore. Inoltre la protezione impedisce che l'utilizzatore venga a contatto con il gruppo di taglio.

- Controllare che la protezione non sia danneggiata e che sia priva di incrinature.

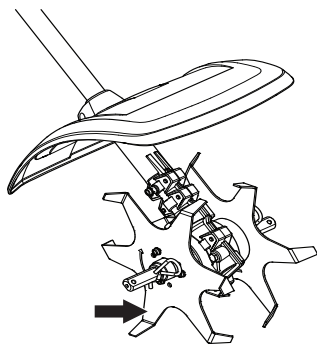


- Sostituire la protezione se è stata sottoposta a urti o se è incrinata.

Attrezzatura di taglio



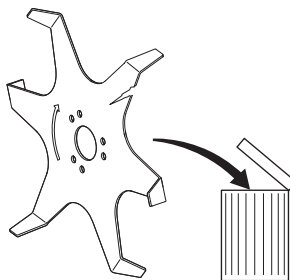
Le lame sono progettate e lavorate per resistere alle sollecitazioni connesse alla zappatura.



Le due regole fondamentali:

- 1 Usare solo i gruppi di taglio abbinati ai tipi di protezione raccomandati!

- 2 Controllare il gruppo di taglio per individuare danni o incrinature. Un gruppo di taglio danneggiato dev'essere sostituito.



AVVERTENZA! Arrestare sempre il motore prima di operare su qualsiasi parte dell'accessorio. Può continuare a muoversi anche quando l'acceleratore viene rilasciato. Verificare che l'accessorio sia completamente fermo e scollegare i cavi ad alta tensione dalla candela prima di iniziare a lavorare su di essa.



AVVERTENZA! Non usare mai una macchina con dispositivi di sicurezza guasti. Questi dispositivi vanno controllati e sottoposti a manutenzione secondo quanto descritto in questo capitolo. Se la macchina non supera tutti i controlli, contattare un'officina per le necessarie riparazioni.

NORME DI SICUREZZA

Norme generali di sicurezza

IMPORTANTE!

Non utilizzare la macchina per scopi diversi da quelli previsti. Questa macchina è progettata esclusivamente per zappare.

Non usare la macchina in condizioni di stanchezza o sotto l'effetto di alcool o medicinali in grado di compromettere il vostro stato psichico e il controllo dei vostri atti.

Usare sempre abbigliamento protettivo. Vedi istruzioni alla voce **Abbigliamento protettivo**.

Non usare mai una macchina che abbia subito modifiche tali da non corrispondere più alle specifiche originali.

Non usare mai la macchina in condizioni climatiche estreme come temperature molto basse o clima estremamente caldo e/o umido.

Non usare mai una macchina difettosa. Effettuare i controlli di sicurezza e attenersi alle istruzioni di manutenzione e riparazione riportate nel presente manuale. Alcuni interventi devono essere eseguiti da personale specializzato. Vedere le istruzioni alla sezione **Manutenzione**.



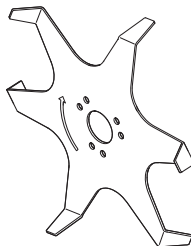
AVVERTENZA! Dei coltelli difettosi possono aumentare il rischio di incidenti.

- Non permettere che la macchina sia utilizzata da bambini.
- Accertarsi che nessuno si avvicini ad una distanza inferiore a 15 m durante il lavoro.
- Non consentire mai ad altri l'utilizzo della macchina senza accertarsi che abbiano capito il contenuto del manuale di istruzioni.
- Utilizzare la motozappa solo alla luce solare o in altre condizioni di sufficiente illuminazione.

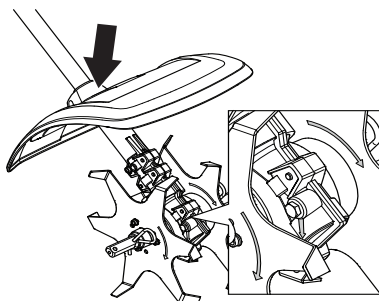
Norme di sicurezza prima dell'avviamento

- Controllare l'area di lavoro. Togliere qualsiasi corpo estraneo, ad esempio pietre, frammenti di vetro, chiodi, fili di ferro, cordoni ecc., che possa essere lanciato in aria oppure restare impigliato nel coltello o nella relativa protezione.
- Mantenere sempre distanti i non addetti ai lavori. Bambini, animali, assistenti e anche eventuali spettatori devono sempre essere tenuti ad una distanza di sicurezza di 15 metri. Arrestare immediatamente la macchina nel caso qualcuno si avvicini.
- Controllare tutta la macchina prima dell'avviamento. Sostituire le parti danneggiate. Controllare che non vi siano perdite di carburante ed accertarsi che tutte le protezioni e i coperchi siano integri e fissati correttamente. Controllare viti e dadi.

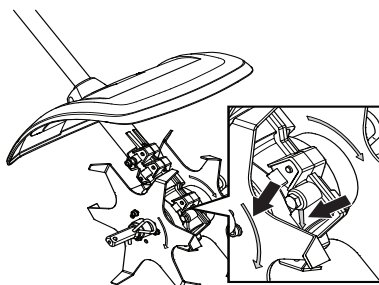
- Controllare che le lame siano integre e non presentino crepe oppure altri danni. Sostituire le lame all'occorrenza.



- Controllare che la protezione del coltello sia integra e correttamente montata.



- Controllare che le lame e la relativa protezione siano fissate correttamente. Accertarsi che il senso di rotazione di lame e taglienti sia lo stesso. Le frecce devono puntare nella stessa direzione.



- Controllare che i coltelli non si muovano col motore al minimo.
- Accertarsi che le impugnature ed i dispositivi di sicurezza siano in ordine. Non utilizzare mai la macchina se qualche parte manca oppure è stata sottoposta a modifiche non previste dalle specifiche tecniche.
- Non utilizzare la macchina per scopi diversi da quelli previsti.

Con motore freddo:

- Far riscaldare la macchina base, quindi spegnerla.
- Montare l'accessorio attenendosi alle istruzioni di montaggio.

NORME DI SICUREZZA

Istruzioni generali di lavoro

IMPORTANTE!

Questa sezione descrive le norme di sicurezza basilari per l'uso della motozappa.

Trovandosi in una situazione di insicurezza riguardo all'uso della macchina rivolgersi ad un esperto. Contattare il proprio rivenditore o l'officina di servizio.

Evitare qualsiasi lavoro per il quale non ci si sente sufficientemente qualificati.

Norme basilari di sicurezza



Osservare l'ambiente circostante:

- Per escludere la presenza di persone, animali o altro che possa interferire sul vostro controllo della macchina.
- Per impedire che persone, animali o altro possano rischiare di entrare a contatto con il gruppo di taglio o che oggetti possano essere scagliati in aria dal gruppo di taglio.
- N.B! Non usare mai la macchina se non siete certi di poter chiedere aiuto in caso d'infortunio.

- 1 Evitare di lavorare in condizioni di tempo sfavorevoli. Ad esempio nebbia, pioggia intensa, vento forte ecc. Lavorare nel maltempo è faticoso e può creare situazioni di pericolo, ad esempio un terreno sdruciolevole.
- 2 Accertarsi di poter camminare e lavorare in posizione sicura. In caso di spostamenti, controllare che non vi siano ostacoli (ceppi, radici, rami, fossati ecc.) Fare particolare attenzione lavorando su terreni in pendenza.



- 3 Durante gli spostamenti spegnere il motore.
- 4 Non poggiare mai la macchina a motore acceso se non la si può tenere bene d'occhio.

- 5 L'attrezzo di taglio deve lavorare lontano dall'operatore. Non utilizzare mai l'attrezzo verso l'operatore poiché potrebbe causare gravi lesioni.

Tecnica fondamentale di lavoro



- Lavorare sempre in posizione sicura e stabile.
- Tenere sempre la macchina con entrambe le mani. Lavorare tenendo la macchina alla destra del corpo.



- Accertarsi che piedi e mani non tocchino il coltello mentre il motore è acceso.



- Tenere sempre le lame vicine al terreno.
- Dopo ciascuna fase di lavoro decelerare il motore fino al regime minimo. Un esercizio prolungato a pieno regime senza carico (cioè senza la resistenza avvertita dal motore attraverso il gruppo di taglio durante il lavoro con la macchina) può causare gravi danni al motore.
- Prestare sempre la massima cautela quando ci si avvicina alla motozappa durante il lavoro.
- Se insorgono forti vibrazioni, fermare la macchina. Staccare il cavo di accensione dalla candela. Accertarsi dell'integrità della macchina. Riparare eventuali danni.

NORME DI SICUREZZA



AVVERTENZA! Erba o sassi possono restare impigliati nelle lame. Effettuare sempre le operazioni di pulizia a motore spento.



AVVERTENZA! Attenzione agli oggetti in movimento. Usare sempre la protezione per gli occhi. Non abbassarsi mai sulla protezione del gruppo di taglio. Un sasso, residui vari o altri oggetti potrebbero colpire gli occhi dell'operatore causando cecità o altre gravi lesioni.

Mantenere sempre distanti i non addetti ai lavori. Bambini, animali, assistenti e anche eventuali spettatori devono sempre essere tenuti ad una distanza di sicurezza di 15 metri. Arrestare immediatamente la macchina nel caso qualcuno si avvicini.

L'ingranaggio può riscaldarsi molto durante l'uso e può restare caldo per qualche minuto dopo lo spegnimento della macchina. Qualsiasi contatto può implicare il rischio di ustioni.

Norme di sicurezza dopo il lavoro

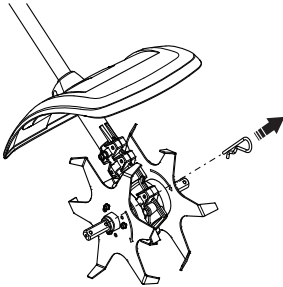


- Accertarsi sempre che il gruppo di taglio si sia fermato prima di eseguire pulizia, riparazioni o controlli. Staccare il cavo di accensione dalla candela.
- Utilizzare guanti robusti per la riparazione della motozappa.
- Utilizzare esclusivamente ricambi originali per le riparazioni.
- Conservare la macchina fuori dalla portata dei bambini.

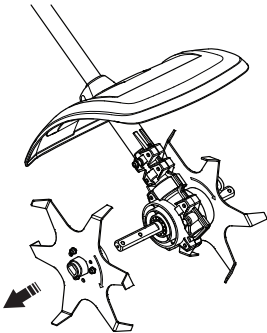
Sostituzione dei dischi



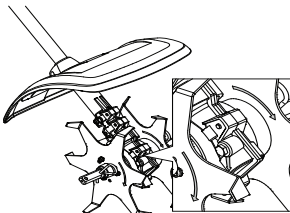
Allentare la spina.



Rimuovere il gruppo dei taglienti dall'asse di uscita della scatola degli ingranaggi.



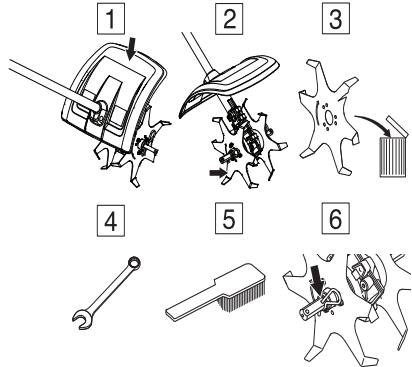
Montare il gruppo dei taglienti sull'albero di uscita della scatola degli ingranaggi. Accertarsi che il senso di rotazione di lame e taglienti sia lo stesso. Le frecce devono puntare nella stessa direzione.



Schema di manutenzione

Seguono alcuni consigli di manutenzione. Se avete bisogno di ulteriori informazioni contattate il servizio di assistenza.

Manutenzione giornaliera



- 1 Controllare che la protezione sia integra e priva di incrinature. Sostituire la protezione se è stata sottoposta a urti o se è incrinata.
- 2 Controllare che i coltelli non si muovano col motore al minimo.
- 3 Controllare che le lame siano integre e non presentino crepe oppure altri danni. Sostituire le lame all'occorrenza.
- 4 Controllare che dadi e viti siano ben serrati.
- 5 Pulire le parti esterne della macchina.
- 6 Verificare che le spine e le coppie siano integre e fissate correttamente.

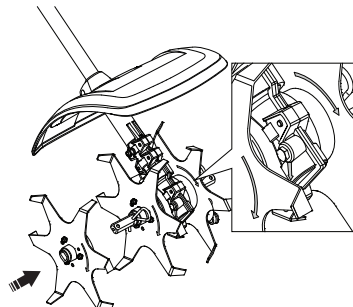
Trasporto e rimessaggio

- In caso di trasporto su un altro mezzo accertarsi che la macchina sia fissata adeguatamente con dispositivi omologati.
- Accertarsi che la macchina sia ben pulita e che sia stata sottoposta a tutte le operazioni di assistenza prima di ogni rimessaggio a lungo termine.

Accessori opzionali

2x taglienti

Montare il gruppo dei taglienti sull'albero di uscita della scatola degli ingranaggi. Accertarsi che il senso di rotazione di lame e taglienti sia lo stesso. Le frecce devono puntare nella stessa direzione.



CARATTERISTICHE TECNICHE

Caratteristiche tecniche

Caratteristiche tecniche **CA230**

Peso

Peso, kg	2,9
2x taglienti	2,8
4x taglienti (accessorio)	3,7

Dimensioni, mm

2x taglienti	140
4x taglienti (accessorio)	235

Emissioni di rumore

(vedere annot. 1)

Livello potenza acustica, misurato dB(A)	105
Livello potenza acustica, garantito L_{WA} dB(A)	109

Livelli di rumorosità

(vedi nota 2)

Livello di pressione acustica equivalente rispetto all'udito dell'operatore, misurato in base alle norme EN ISO 22868, dB(A):

Accessorio approvato (originale) in dotazione	92,4
-----------------------------------------------	------

Vibrazioni

(vedi nota 3)

Livelli di vibrazione equivalenti ($a_{hv,eq}$) all'impugnatura, misurati in base alle norme EN ISO 22867, in m/s^2

Accessorio approvato (originale) in dotazione, sinistra/destra	4,2/6,1
----------------------------------------------------------------	---------

Nota 1: Emissione di rumore nell'ambiente misurato come potenza acustica (L_{WA}) in base alla direttiva CE 2000/14/CE. Il livello di potenza acustica riportato per la macchina è stato misurato con il gruppo di taglio originale che emette il livello massimo. La differenza tra potenza acustica misurata e garantita è che la potenza acustica garantita comprende anche la dispersione nel risultato di misurazione e le variazioni tra le diverse macchine dello stesso modello come da Direttiva 2000/14/CE.

Nota 2: I dati riportati per il livello di pressione acustica equivalente della macchina hanno una dispersione statistica tipica (deviazione standard) di 1 dB (A).

Nota 3: I dati riportati per il livello di vibrazione equivalente hanno una dispersione statistica tipica (deviazione standard) di 1 m/s^2 .

CA230		
Accessori omologati	Tipo	Protezione
Tagliente per zappatrice	4X lame	

Dichiarazione di conformità CE (Solo per l'Europa)

Husqvarna AB, SE-561 82 Huskvarna, Svezia, tel: +46-36-146500, dichiara con la presente che l'accessorio della zappatrice **Husqvarna/Jonsered CA230** è conforme alle disposizioni della DIRETTIVA DEL CONSIGLIO:

- del 17 maggio 2006 "sulle macchine" **2006/42/CE**.

Sono state applicate le seguenti norme: ISO 11449:1994

L'SMP, Svensk Maskinprovning AB, Box 7035, SE-750 07 Uppsala, Svezia, ha eseguito il controllo-tipo facoltativo per conto della Husqvarna AB. I certificati portano il numero: **SEC/14/2415**

Huskvarna, 20 aprile 2015



Per Gustafsson, Responsabile ricerca e sviluppo
(Rappresentante autorizzato per Husqvarna AB e responsabile della documentazione tecnica.)

SÜMBOLITE TÄHENDUS

Sümbolid

ETTEVAATUST!

Kultivaatori vale või hooletu kasutamine võib olla ohtlik ning põhjustada kasutajale või teistele tõsiseid või surmaga lõppevaid vigastusi. Äärmiselt oluline on käesolev kasutusjuhend läbi lugeda ja selle sisust aru saada.

Loe käsitsemisõpetus põhjalikult läbi, et kõik eeskirjad oleksid täiesti arusaadavad, enne kui seadet kasutama hakkad.

Kasuta alati:

- Heakskiidetud kõrvaklappe
- Kaitseprillid või näokaitse
- Tolmu tekke riski korral tuleb kasutada hingamiskaitset.

Seade vastab EL kehtivatele direktiividele.

Ettevaatust – liikuvad terad. Hoidke jalgu ja käsi. Noolega on näidatud pöörlemissuund.

Seadme juht on kohustatud jälgima, et inimesed ja loomad ei tuleks töö ajal lähemale kui 15 m.

Kasuta alati heakskiidetud kaitsekindaid.

Kasuta libisemiskindlaid ning tugevaid sääriskuid.

Hoidke kõik kehaosad kuumadest pindadest eemal.



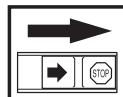
Väljaviskuvate ning tagasipõrkavate asjade oht.



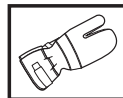
Emissioni di rumore nell'ambiente in base alla direttiva della Comunità Europea. L'emissione della macchina è indicata al capitolo Dati tecnici e sulla decalcomania.

Ülejäänud seadmel toodud sümbolid/tähised vastavad erinevates riikides kehtivatele sertifitseerimisnõuetele.

Enne kui hakkad kontrollima või hooldama, lülita mootor välja, lükates lüliti asendisse STOP.



Kasuta alati heakskiidetud kaitsekindaid.



Sisukord

SÜMBOLITE TÄHENDUS

Sümbolid 112

SISUKORD

Sisukord 113

Enne käivitamist tuleb meeles pidada järgmist: 113

MIS ON MIS?

Kultivaatorikomplekti osad. 114

OHUTUSEESKIRJAD

Isiklik ohutusvarustus 115

Seadme ohutusvarustus 116

Üldised ohutuseeskirjad 117

Üldised tööeeskirjad 118

HOOLDUS

Terade vahetamine 120

Hoolduskeem 120

TEHNILISED ANDMED

Tehnilised andmed 121

EÜ kinnitus vastavusest 121

Enne käivitamist tuleb meeles pidada järgmist:

Husqvarna AB töötab pidevalt oma toodete edasiarendamise alal ja jätab seetõttu endale õiguse teha muuhulgas muudatusi toodete kuju ja välimuse osas.

Pikaajaline müra võib tekitada püsiva kuulmiskahjustuse.

Sellepärast tuleb alati kanda heakskiidetud kõrvaklappe.

Loe käsitsemisõpetus põhjalikult läbi, et kõik eeskirjad oleksid täiesti arusaadavad, enne kui seadet kasutama hakkad.

See kasutamisyjuhend on lisa seadme ostmisel kaasa antud kasutamisyõpetusele. Selles osas, mida käesolev kasutamisyjuhend ei hõlma, tuleb vaadata seadme kasutamisyõpetust.



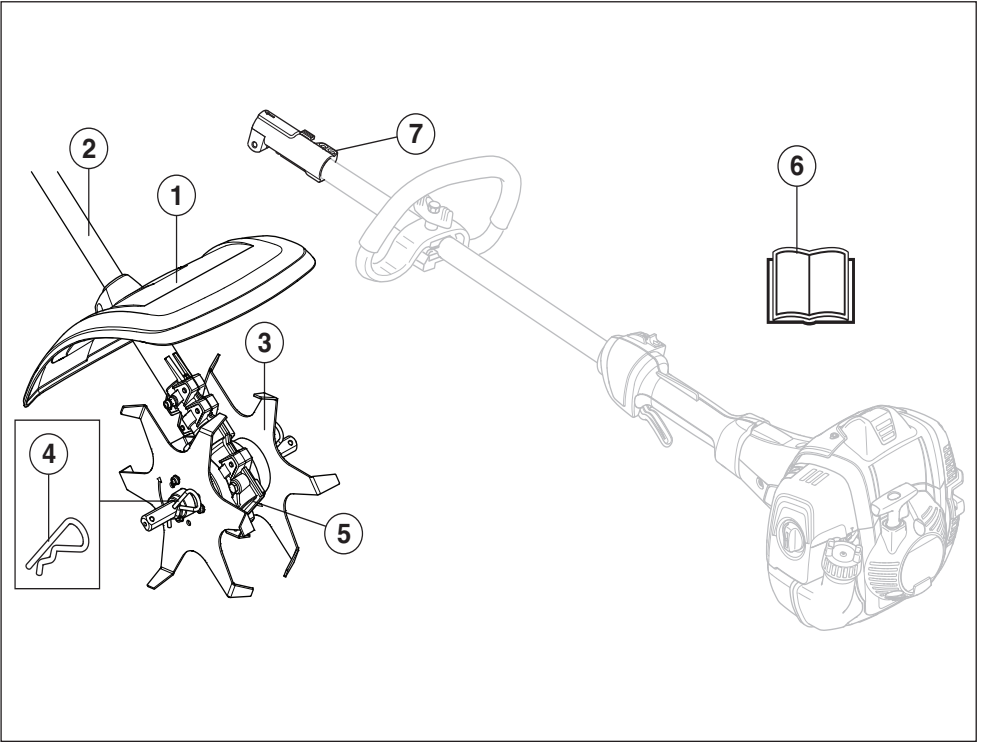
ETTEVAATUST! Seadme algset konstruktsiooni ei tohi muuta ilma tootja loata. Kasuta alati originaalosi. Lubamatud muudatused ja varuosad võivad põhjustada raskeid või isegi eluohtlikke kehavigastusi operaatorile ja teistele.



ETTEVAATUST! Seda lisandit on lubatud kasutada ainult koos selleks otstarbeks ettenähtud puhastussaaagide/trimmeritega, vt masina kasutamisyhendi peatükki Tehnilised andmed, pealkirja all Heakskiidetud lisandid.

Seade on ette nähtud ainult kultiveerimiseks.

MIS ON MIS?



Kultivaatorikomplekti osad.

- | | | | |
|---|------------|---|-------------------------------------------|
| 1 | Terakaitse | 5 | Ülekanne |
| 2 | Vars | 6 | Käsitsemisõpetus |
| 3 | Terad | 7 | Varre kinnitus (kuulub põhimasina juurde) |
| 4 | Splint | | |

Isiklik ohutusvarustus



ETTEVAATUST! Seadmega töötamisel tuleb kasutada ettenähtud isiklikku kaitsevarustust. Isiklik kaitsevarustus ei välista õnnetusi, kuid vähendab vigastuse astet. Palu seadme müüjalt abi sobiva varustuse valimisel. Loe käsitusõpetus põhjalikult läbi, et kõik eeskirjad oleksid täiesti arusaadavad, enne kui seadet kasutama hakkad.

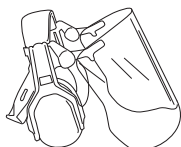


ETTEVAATUST! Kui kasutate kuulmiskaitset (kõrvaklappe), ole tähelepanelik helide, hoiuete ja hoiatussignaalide suhtes. Mootori seiskumisel võta kohe kõrvaklapid ära.

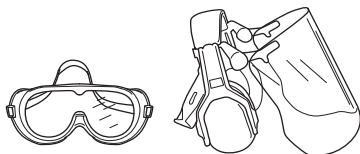
- Kindaid peab kasutama, kui selleks on vajadus.



- Peab kasutama küllaldase helisummutusefektiiga kõrvaklappe.



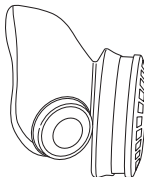
- Alati tuleb kasutada heakskiidetud silmakaitset. Visiiri kasutamisel tuleb lisaks kasutada kooskõlastatud kaitseprille. Kooskõlastatud kaitseprillide all mõeldakse selliseid prille, mis vastavad standardile ANSI Z87.1 USA-s või EN 166 Euroopa Liidu riikides. Oksad ja lendu puhutud objektid võivad vigastada silmi.



- Kasuta libisemiskindlaid ning tugevaid säärikuid.



- Kandke alati tugevast materjalist pikki pükse, saapaid, kindaid ja pikkade varrukatega särki. Ärge kandke kottis riideid, sülle, ehteid ega muud taolist, et vähendada pöörlevate osade vahele jäämise ohtu. Kinnitage juuksed õlgadest kõrgemale.
- Tolmu tekke riski korral tuleb kasutada hingamiskaitset.



- Kanna hoold, et esmaabivarusus oleks alati käepärast.



OHUTUSEESKIRJAD

Seadme ohutusvarustus

Käesolevas käsitletakse seadme ohutusvarustust, selle toimimist, kontrollimist ning põhihooldust, mis tagab ohutu töö. Peatükis Mis on mis? on näidatud detailide paiknemine seadmel.

Kui seadet ei hooldata õigesti ja korrapäraselt ja seadet ei paranda asjatundja, võib seadme tööiga lüheneda ja tekkida oht õnnetuste tekkeks. Lisateabe saamiseks võta ühendust lähima hooldustöökogaga.

TÄHTIS! Seadmega töötamisel tuleb kasutada ettenähtud isiklikku kaitsevarustust. Isiklik kaitsevarustus ei välista õnnetusi, kuid vähendab vigastuse astet. Palu seadme müüjalt abi sobiva varustuse valimisel.



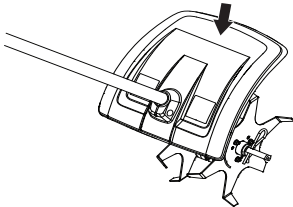
ETTEVAATUST! Ära kunagi kasuta seadet, mille ohutusvarustus on puudulik. Järgi käesolevas toodud kontrolli- ja hooldusjuhiseid.

Lõikeosa kaitsekate



Kaitsekate hoiab ära, et lõikeseadmest ei viskuks midagi operaatori suunas. Samuti takistab see operaatorit lõikeosa vastu puutumast.

- Vaata, et kaitsekate oleks vigastusteta ning ilma pragudeta.

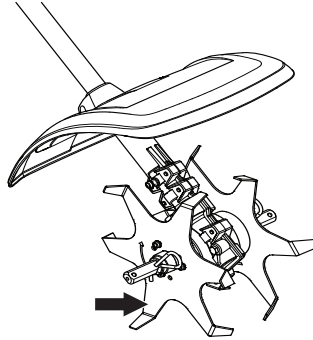


- Vaheta kaitsekate, kui see on saanud löögi või on pragunenud.

Lõikeseade

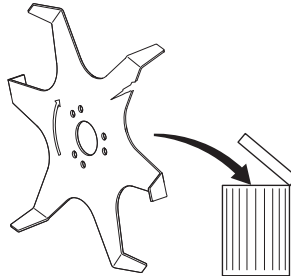


Terad on nii ehitatud ja töödeldud, et nad peavad vastu kultiveerimisel tekkivale koormusele.



Kaks põhieeglit:

- 1 Lõikeosa tohib kasutada ainult koos selleks ette nähtud kaitsekatega!
- 2 Kontrolli lõikeosa seisukorda, et seal poleks vigastusi või pragusid. Vigastatud või pragudega lõikeosad tuleb välja vahetada.



ETTEVAATUST! Enne lisaseadme mis tahes osa kallal töötamist tuleb mootor alati seisata. See võib jätkata liikumist isegi pärast gaasihoova vabastamist. Veenduge, et lisaseade on täielikult seiskunud ja ühendage süütejühe süüteküünla küljest enne tööde alustamist lahti.



ETTEVAATUST! Ära kasuta kunagi vigase ohutusvarustusega seadet. Ohutusvarustust tuleb käesolevas toodud eeskirjade kohaselt hooldada ja kontrollida. Vajadusel lasta seadme hooldustöökogas parandada.

Üldised ohutuseeskirjad

TÄHTIS!

Kasuta seadet ainult ettenähtud otstarbel. Seade on ette nähtud ainult kultiveerimiseks.

Ära kunagi tööta seadmega, kui oled väsinud, alkoholi tarvitanud või kui oled saanud ravimit, mis mõjub su nägemisele, otsustus- või keskendumisvõimele.

Kanna isiklikku ohutusvarustust. Juhised on toodud alajaotuses Isiklik ohutusvarustus.

Ära kunagi kasuta seadet, mille ehitust on muudetud.

Ärge kasutage seadet eriti rasketes ilmaoludes, väga külma, väga tuulise või niiske ilmaga.

Ärge kunagi kasutage vigastatud seadet. Teostage ohutuskontroll ja hooldage seadet korrapäraselt, nagu käsitlemisõpetuses nõutud. Teatud hooldust tohib teha ainult vastava väljaõppe saanud spetsialist. Vt juhiseid lõigust "Hooldus".

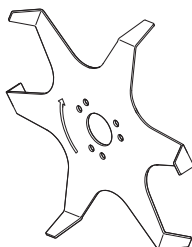


ETTEVAATUST! Valed terad suurendavad õnnetuse ohtu.

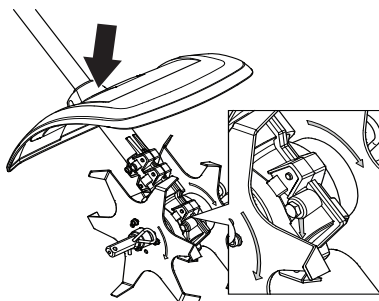
- Ära luba kunagi lastel seadet kasutada.
- Jälgi, et töötamise ajal ei tuleks keegi lähemale kui 15 m.
- Ära luba kellelgi seadet kasutada enne, kui oled kindel, et ta on kasutamisõpetuse sisust aru saanud.
- Kultiveerida tohib ainult päevalvalgel või valgustatud kohtades.

Käivitamiseelsed ohutuseeskirjad

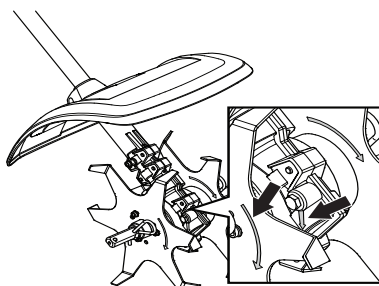
- Vaata tööala üle. Kõrvalda kõik lahtised esemed, nagu kivid, klaasikillud, naelad, traat, paelad jne, sest need võivad eemale viskuda, samuti nugaadessa või noakitsesse takerduda.
- Ära lase ligi kõrvalisi isikuid. Lapsed, loomad ja abistajad peavad olerna väljaspool ohupiirkonda, s.o vähemalt 15 m kaugusel. Seiska kohe seade, kui keegi läheneb.
- Enne käivitamist kontrolli kogu seadet. Vaheta vigastatud osad välja. Kontrolli, et kütus ei lekiks, et kõik kaitsed ja katted oleksid terved ning korralikult kinni. Kontrolli üle kõik kruvid ja mutrid, et need oleksid kinni.
- Kontrollige, et teradel poleks kahjustusi, et neil poleks pragusid, et nad oleksid terved. Kui vaja, vahetage terad.



- Jälgi, et noakitse oleks paigaldatud ning et sellel poleks vigastusi.



- Kontrollige, et terad ja kaitskate oleksid korralikult kinnitatud. Veenduge, et pöörlemissuund vastab lõikurite ja reduktori pöörlemissuunale. Nooled peavad osutama samas suunas.



- Kontrollige, et tühikäigul noad ei liiguks.
- Jälgi, et käepidemed ning ohutusfunktsioon oleksid korras. Ära kasuta kunagi seadet, millel puudub mõni osa või mille ehitust on muudetud.
- Kasuta seadet ainult ettenähtud otstarbel.

Külmkäivitus

- Laske põhimasinal soojeneda ja seejärel lülitage masin välja.
- Paigaldage lisaseade vastavalt paigaldussuunistele.

Üldised tööeeskirjad

TÄHTIS!

Selles osas on toodud kultivaatori kasutamise põhilised ohutusjuhised.

Kui olukord on Sulle tundmatu, lakka töötamast ja palu spetsialistidelt abi ja nõu. Võta ühendust edasimüüja või hoolduspunktiga.

Ära tee tööd, milleks Sul puudub väljaõpe või kogemused.

Põhilised ohutuseeskirjad



Vaata ringi:

- Tee kindlaks, et tööpiirkonnas ei oleks inimesi, loomi ega midagi muud, mis võiks häirida sinu kontrolli seadme üle.
 - Hoolitse selle eest, et inimesed või loomad ei puudutaks lõikeosa ega saaks vigastada lõikeosast eemale paiskuvate esemete poolt.
 - **TÄHELEPANU!** Ära kasuta kunagi seadet olukordades, kus sa ei saa kutsuda abi õnnetuse korral.
- 1 Hoidu seadme kasutamisest halva ilmaga. Ära tööta paksu udu, kõva vihma, tuule või pakase korral. Külma ilmaga töötamine on väga väsitav ja sellega kaasneb muid ohte, nagu libe maapind.
 - 2 Veendu, et sa seisad kindlalt ja saad vabalt astuda. Vaata, et läheduses ei oleks tõkkeid, nagu juuri, kive, oksa, kraave jne., mis takistaksid sind juhul, kui peaksid olema sunnitud kiiresti liikuma. Ole eriti ettevaatlik mäeküljel töötades.



- 3 Seadme teise kohta toimetamisel tuleb mootor välja lülitada.
- 4 Ära pane töötava mootoriga seadet maha, kui Sul pole head ülevaadet sellest.
- 5 Lõikeosadega töötamisel lükake seda endast eemale. Ärge tõmmake lõikeseadet kunagi töötamisel enda poole, kuna see võib põhjustada tõsise vigastuse.

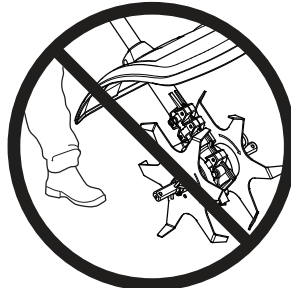
Põhiline lõikamistehnika



- Jälgi alati, et sul oleks kindel ja püsiv jalgealune.
- Seadet tuleb hoida mõlema käega. Hoi a seadet paremal pool keha.



- Jälgi, et nuga mootori töötamise ajal käsi ega jalgu ei puudutaks.



- Hoidke alati terad maa lähedal.
- Vähenda pööreid tühikäigule peale igat tööoperatsiooni. Kui mootor töötab pikemat aega ilma koormuseta (s.t. ilma vastupanuta, mida mootor saab seadme töötamisel lõikeosa kaudu), võib tekkida raskeid mootorivigastusi.
- Olge eriti tähelepanelik siis, kui te töötamise ajal tõmbate kultivaatorit enda poole.
- Kui tekib tugev vibratsioon, seiska seade. Eemalda süütejuhe sütekuünalt. Kontrolli, kas seade on saanud viga. Kõrvalda tekkinud rikked.



ETTEVAATUST! Mõnikord jäävad rohi ja kivid terade külge. Puhastamise ajaks tuleb alati mootor välja lülitada.

OHUTUSEESKIRJAD



ETTEVAATUST! Töö käigus võib paiskuda välja esemeid. Kasuta alati silmakaitset. Ära kummardu kunagi üle löikeosa kaitsekatte äärte. Kivid, prügi jmt võib paiskuda silma ja põhjustada pimedaksjäämist või muid tõsiseid kahjustusi.

Ära lase ligi kõrvalisi isikuid. Lapsed, loomad ja abistajad peavad olema väljaspool ohupiirkonda, s.o vähemalt 15 m kaugusel. Seiska kohe seade, kui keegi läheneb.

Reduktor võib kasutamisel kuumeneda ja püsida kuumana ka mõni aeg pärast kasutamist. Seda puudutades võite end põletada.

Ohutuseeskirjad peale töötamist

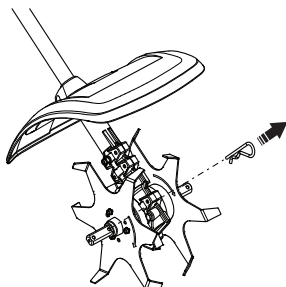


- Enne puhastamist, remontimist või ülevaatust tuleb jälgida, et löikeosa oleks seiskunud. Eemalda süütejühe süüteküünlalt.
- Kultivaatori parandamisel peavad olema käes tugevad kindad.
- Parandamisel kasuta originaalvaruosi.
- Hoiad seadet lastele kättesaamatus kohas.

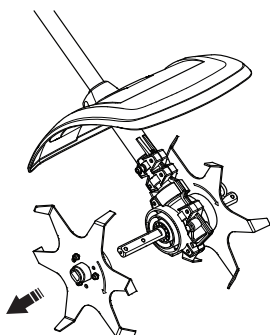
Terade vahetamine



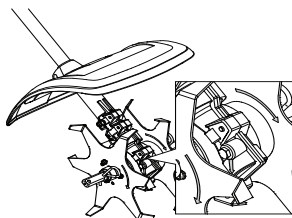
Vabastage splint.



Eemaldage lõikurid reduktori väljundvõlli küljest.



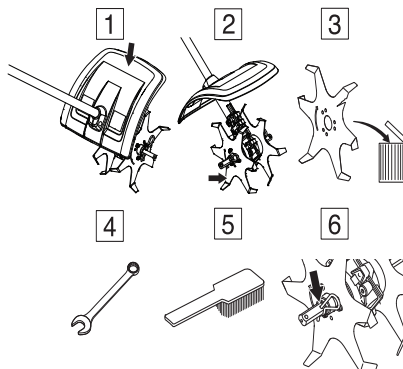
Paigaldage lõikurid reduktori väljundvõllile. Veenduge, et pöörlemissuund vastab lõikurite ja reduktori pöörlemissuunale. Nooled peavad osutama samas suunas.



Hoolduskeem

Allpool on toodud üldised hoolduseeskirjad. Kui tekib küsimusi, tuleb võtta ühendust hoolduspunktiaga.

Igapäevane hooldus



- 1 Vaata, et kaitsekate oleks vigastusteta ja seal poleks pragusid. Vaheta kaitsekate välja, kui see on saanud lööke või on pragunenud.
- 2 Kontrollige, et tühikäigul noad ei liiguks.
- 3 Kontrollige, et teradel poleks kahjustusi, et neil poleks pragusid, et nad oleksid terved. Kui vaja, vahetage terad.
- 4 Kontrolli, et kruvid ja mutrid oleksid korralikult kinnitatud.
- 5 Puhasta seade väljastpoolt.
- 6 Kontrollige, et terade käärthivid ja kinnitussplindid oleksid terved ja korralikult paigaldatud.

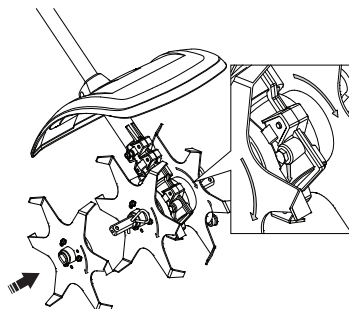
Transport ja hoiustamine

- Kui teil tuleb seadet vedada, kontrollige, kas see on korralikult ja nõuetekohaselt kinnitatud.
- Enne pikemaajalist hoiustamist tuleb seade korralikult puhastada ja hooldada.

Valikulised tarvikud

Kaks lõikurit

Paigaldage lõikurid reduktori väljundvõllile. Veenduge, et pöörlemissuund vastab lõikurite ja reduktori pöörlemissuunale. Nooled peavad osutama samas suunas.



TEHNILISED ANDMED

Tehnilised andmed

Tehnilised andmed **CA230**

Kaal

Kaal, kg	2,9
Kaks lõikurit	2,8
Neli lõikurit (lisatarvik)	3,7

Mõõtmed (mm)

Kaks lõikurit	140
Neli lõikurit (lisatarvik)	235

Müraemissioon

(vt. märkust 1)

Müra võimsustase, dBA	105
Müra võimsustase, garanteeritud $L_{WA}dBA$	109

Müratase

(vt. märkust 2)

Ekvivalentne müra rõhutase kasutaja kõrva juures, mõõdetud EN ISO 22868 järgi, dBA:

Originaalse heakskiidetud lisatarvikuga	92,4
-----------------------------------------	------

Vibratsioon

(vt. märkust 3)

EN ISO 22867 järgi mõõdetud käepidemete ekvivalentsed vibratsioonitasemed ($a_{hv,eq}$), m/s^2

Originaalse vasak-/parempoolse heakskiidetud lisatarvikuga	4,2/6,1
------------------------------------------------------------	---------

1. märkus: Ümbritsevasse keskkonda leviva müra võimsus (L_{WA}), mõõdetud vastavalt EÜ direktiivile 2000/14/EÜ. Seadme antud müratase mõõdeti enim müra tekitava originaalsaagimisseadme kasutamisel. Erinevus tagatava ja mõõdetava mürataseme vahel seisneb selles, et direktiivi 2000/14/EÜ alusel hõlmab tagatav müratase ka mõõtmistulemuste levi ja kõrvalekalded sama mudeli eri seadmete vahel.

2. märkus: Antud andmetel seadme helirõhutase ekvivalendi kohta on statistiline tüüplevi 1 dB (A) (standardne kõrvalekalle).

3. märkus: Antud andmetel ekvivalentse vibratsioonitaseme kohta on statistiline tüüplevi (standardne kõrvalekalle) 1 m/s^2 .

CA230		
Heakskiidetud lisavarustus	Tüüp	Kaitse
Kultivaatori lõikur	Neli lõiketera	

EÜ kinnitus vastavusest (Kehtib vaid Euroopas)

Husqvarna AB, SE-561 82 Huskvarna, Rootsi, tel: +46 3614 6500, kinnitab, et kultivaatori lisaseade **Husqvarna/Jonsered CA230** vastab järgmis(t)e NÕUKOGU DIREKTIIVI(DE) nõuetele.

– **2006/42/EÜ** (17. mai 2006. a) „mehhanismide kohta“.

Järgitud on alljärgnevaid standardeid: ISO 11449:1994

SMP Svensk Maskinprovning AB, Box 7035, SE-750 07 Uppsala, Rootsi, teostas vabatahtlikult Husqvarna AB standardikontrolli. Sertifikaatide numbrid on: **SEC/14/2415**

Huskvarna, 20. aprill 2015



Per Gustafsson, Arendusdirektor (Husqvarna AB volitatud esindaja ja tehnilise dokumentatsiooni eest vastutaja.)

SIMBOLU NOZĪME

Simboli

BRĪDINĀJUMS!

Nepareizi vai pavirši lietota frēze var būt bīstams darbarīks, kas lietotājam vai citām personām var izraisīt nopietnas vai letālas traumas. Ir ļoti svarīgi, lai jūs izlasītu un izprastu šo lietošanas pamācību.

Lūdzu izlasiet šo lietošanas pamācību uzmanīgi un pārliecinaties, ka pirms mašīnas lietošanas esat visu sapratis.

Vienmēr lietojiet:

- Atzītas aizsargaustiņas
- Aizsargbrilles vai vizieris
- Strādājot puteklainā vidē, jāvalkā elpošanas aizsargmaska.

Šis ražojums atbilst spēkā esošajām CE direktīvām.

Uzmanieties no rotējošiem nažiem.
Uzmaniet rokas un pēdas. Bulta norāda rotācijas virzienu.

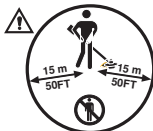
Mašīna lietotājam jānodrošina, lai darba vietai tuvāk par 15 metriem neatrodas citi cilvēki vai dzīvnieki.

Vienmēr lietojiet atzītus aizsargcimdus.

Izmantojiet neslidošus un stabilus zābakus.

Raugiet, lai ķermeņa daļas neatrastos karstu virsmu tuvumā.

Sargieties no mestiem un rikošetā atlecošiem priekšmetiem.

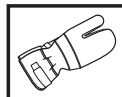
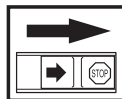


Trokšņu emisijas līmenis atbilstoši Eiropas Kopienas direktīvai. Mašīnas emisijas tiek norādītas daļā Tehniskie dati un uzlīmē.

Pārējie uz mašīnas norādītie simboli/norādes atbilst noteiktu valstu sertifikācijas prasībām.

Pirms pārbaudes un/vai apkopes izslēdziet motoru, virzot slēdzi uz STOP pozīciju.

Vienmēr lietojiet atzītus aizsargcimdus.



SATURS

Saturs

SIMBOLU NOZĪME

Simboli 122

SATURS

Saturs 123

Pirms iedarbināšanas ievērojiet sekojošo: 123

KAS IR KAS?

Kas ir kas kultivatora komplektā? 124

DROŠĪBAS INSTRUKCIJAS

Individuālais drošības aprīkojums 125

Mašīnas drošības aprīkojums 125

Vispārējās drošības instrukcijas 127

Vispārējās darba instrukcijas 128

APKOPE

Nažu maiņa 130

Apkopes grafiks 130

TEHNISKIE DATI

Tehniskie dati 131

Garantija par atbilstību EK standartiem 131

Pirms iedarbināšanas ievērojiet sekojošo:

Husqvarna AB pastāvīgi strādā, lai pilveidotu savus izstrādājumus un tāpēc saglabā tiesības izdarīt izmaiņas, piem., izstrādājumu formā un izskatā bez iepriekšēja paziņojuma.

Ilgstoša uzturēšanās troksnī var radīt nopietnas dzirdes traumas. Tapēc vienmēr lietojiet dzirdes aizsargaustiņas.

Lūdzu izlasiet šo lietošanas pamācību uzmanīgi un pārlicinieties, ka pirms mašīnas lietošanas esat visu sapratis.

Šī lietošanas pamācība tikai papildina iekārtas komplektācijā esošo instrukciju. Par iekārtas lietošanu skatīt tās instrukciju.



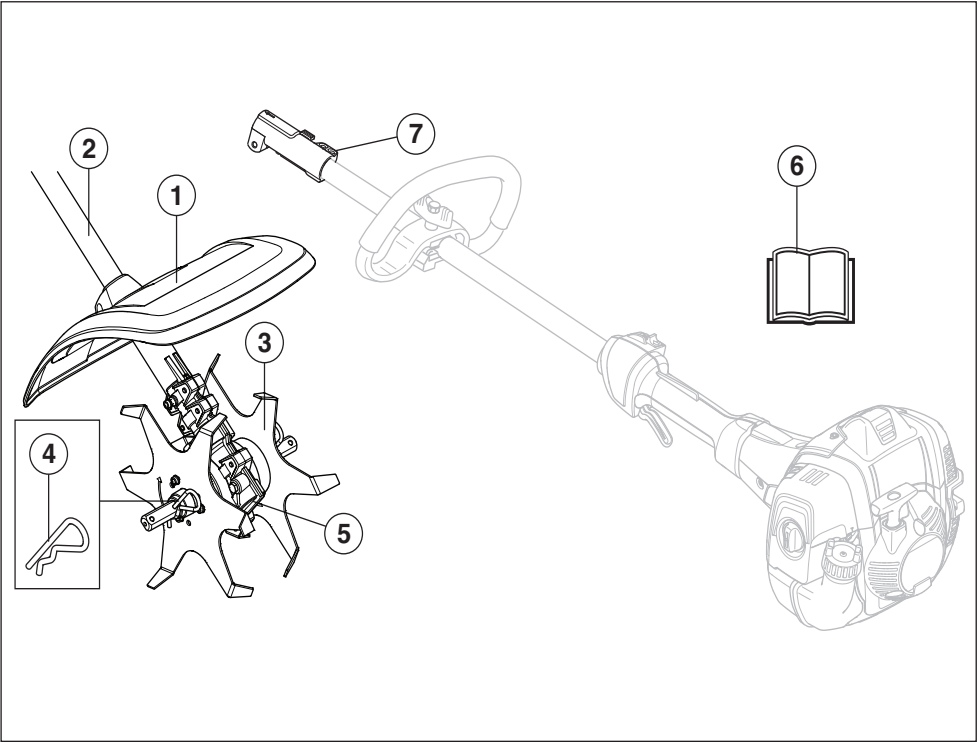
BRĪDINĀJUMS! Nekādos apstākļos nedrīkst bez ražotāja atļaujas izmainīt šīs mašīnas sākuma konstrukciju. Lietojiet oriģinālās rezerves daļas. Neatļautas izmaiņas un/vai neatļauti piederumi var novest pie traumām vai beigties ar tehnikas izmantotāja un citu personu nāvi.



BRĪDINĀJUMS! Šie piederumi jāizmanto tikai kopā ar tiem paredzētajiem zāģiem / trimmeriem (skatīt lietošanas pamācības nodaļas „Tehniskie dati” apakšnodaļu „Apstiprinātie piederumi”).

Mašīna ir radīta vienīgi kultivēšanai.

KAS IR KAS?



Kas ir kas kultivatora komplektā?

- | | |
|---------------------|-----------------------------------------------------------|
| 1 Nažu aizsargs | 5 Pārnesumkārbas karteris |
| 2 Takelāžas stienis | 6 Lietošanas pamācība |
| 3 Naži | 7 Takelāžas stieņa savienojums (pieder pie pamatiekārtas) |
| 4 Sazarojuma tapa | |

DROŠĪBAS INSTRUKCIJAS

Individuālais drošības aprīkojums



BRĪDINĀJUMS! Jebkuros mašīnas lietošanas gadījumos ir jālieto valsts iestāžu atzīts individuālais aizsargaprīkojums. Individuālais aizsargaprīkojums nesamazina traumu risku, bet tikai samazina ievainojuma bīstamības pakāpi nelaiemes gadījumā. Lūdziet pārdevēja palīdzību, izvēloties nepieciešamo aprīkojumu. Lūzdu izlasiet šo lietošanas pamācību uzmanīgi un pārliecinaties, ka pirms mašīnas lietošanas esat visu sapratis.



BRĪDINĀJUMS! Lietojot dzirdes aizsargaustiņas, esiet vienmēr uzmanīgs, lai dzirdētu brīdinājumu signālus vai saucienus. Dzirdes aizsargaustiņas noņemiet uzreiz, kad motors apstādināts.

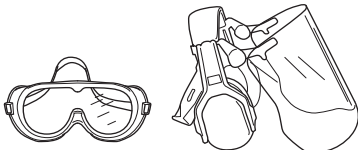
- Cimdi jālieto nepieciešamības gadījumos.



- Lietojiet aizsargaustiņas ar pietiekošu trokšņu slāpēšanas spēju.



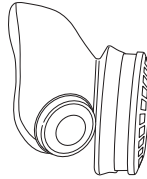
- Vienmēr ir jālieto apstiprināts acu aizsargaprīkojums. Atzītas aizsargbrilles jālieto arī tad, ja tiek izmantots vizieris. Atzītas aizsargbrilles ir tādas, kas atbilst ASV standarta ANSI Z87.1 vai ES valstu standarta EN 166 prasībām. Izmestie zaru vai priekšmetu gabaliņi var traumēt acis.



- Izmantojiet neslidošus un stabilus zābakus.



- Vienmēr valkājiet smagas, garas bikses, zābakus, cimdus un kreklu ar garām piedurknēm. Lai mazinātu traumu gūšanas risku, kas saistīts ar priekšmetiem, kuri tiek ierauti rotējošajās daļās, nevalkājiet vaļīgu apdērbu, šalles, rotaslietas utt. Sasieniet matus, lai tie atrastos virs pleciem.
- Strādājot puteklīnā vidē, jāvalkā elpošanas aizsargmaska.



- Pirmās medicīniskās palīdzības aptieciņai ir vienmēr jābūt pa rokai.



Mašīnas drošības aprīkojums

Šajā nodaļā tiek paskaidrota mašīnas drošības detaļu nozīme, to funkcijas un kā tiek veikta to kontrole un apkope, lai garantētu drošības aprīkojuma nevainojamu darbību. Lai atrastu šīs detaļas jūsu mašīnā, skatiet nodaļu Kas ir kas?

Mašīnas mūža garums var saīsināties un var pieaugt nelaiemes gadījumu risks, ja pareizi netiek veikta mašīnas apkope un, ja servisu un/vai remontu neveic profesionāļi. Ja jums ir nepieciešama papildu informācija, sazinieties ar tuvāko servisa darbnīcu.

SVARĪGI! Jebkuros mašīnas lietošanas gadījumos ir jālieto valsts iestāžu atzīts individuālais aizsargaprīkojums. Individuālais aizsargaprīkojums nesamazina traumu risku, bet tikai samazina ievainojuma bīstamības pakāpi nelaiemes gadījumā. Lūdziet pārdevēja palīdzību, izvēloties nepieciešamo aprīkojumu.



BRĪDINĀJUMS! Nekad nelietojiet mašīnu ar bojātām drošības detaļām. Ievērojiet šajā nodaļā uzskaitītās kontroles, apkopes un servisa instrukcijas.

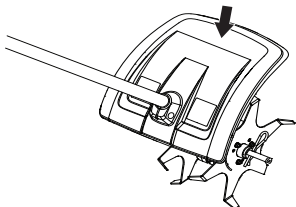
DROŠĪBAS INSTRUKCIJAS

Griešanas aprikojuma aizsargaprikojums



Šis aizsargs ir paredzēts, lai novērstu darba laikā vieglu priekšmetu izvietošanu lietotāja virzienā. Aizsargs ierobežo arī lietotāja kontaktu ar griešanas aprikojumu.

- Pārbaudiet, vai aizsargs ir nebojāts un nav iekļūstis.

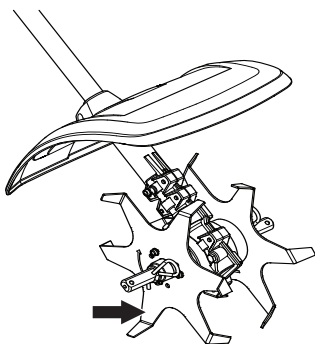


- Nomainiet aizsargaprikojumu, ja tas ir cietis triecienu rezultātā vai ir redzami iekļūstumi.

Griešanas aprikojums



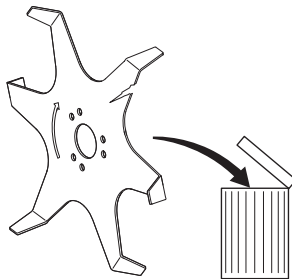
Naži ir radīti un apstrādāti tā, lai tie izturētu tās slodzes, kas rodas kultivējot.



Divi pamatnoteikumi:

- 1 Lietojiet griešanas ierīces tikai ar ieteiktajiem aizsargiem!

- 2 Pārbaudiet, vai griešanas aprikojums nav bojāts vai iekļūstis. Bojāts griešanas aprikojums vienmēr ir jānomaina.



BRĪDINĀJUMS! Pirms darba pie jebkuras iekārtas detaļas vienmēr apturiet motoru. Tas var pārvietoties pat tad, ja drosele ir atlaista. Pārliecinieties, vai iekārta ir pilnībā apstājusies, un pirms darba pie iekārtas atvienojiet augstsprieguma vadus no aizdedzes sveces.



BRĪDINĀJUMS! Nekad nelietojiet mašīnu ar bojātu drošības aprikojumu. Mašīnas drošības aprikojums ir jākontrolē un jāuztur, pamatojoties uz šajā nodaļā izklāstīto instrukciju. Ja jūsu mašīna neatbilst kontroles prasībām, nododiet to labošanai servisa darbnīcā.

DROŠĪBAS INSTRUKCIJAS

Vispārējās drošības instrukcijas

SVARĪGI!

Izmantojiet mašīnu vienīgi tam, kam tā paredzēta. Mašīna ir radīta vienīgi kultivēšanai.

Nekad nelietojiet mašīnu, ja esat noguris, ja esat dzēris alkoholiskus dzērienus, vai, ja lietojiet medikamentus, kas var ietekmēt redzi, prāta spējas, vai koordināciju.

Lietojiet individuālo drošības aprīkojumu. Skatīt norādījumus zem rubrikas Individuālais drošības aprīkojums.

Nekad nelietojiet mašīnu, kas ir pārveidota tā, ka tā neatbilst sākuma konstrukcijai.

Nekad nelietojiet mašīnu ekstremālos laika apstākļos, tādos kā liels sals vai ļoti karstā un/vai mitrā klimatā.

Nekad nelietojiet bojātu mašīnu. Ievērojiet šajā rokasgrāmatā aprakstītās drošības pārbaudes, tehniskās apkopes un remonta instrukcijas. Dažus apkopes un remonta darbus drīkst veikt tikai apmācīti un kvalificēti speciālisti. Skatiet instrukcijas nodaļā Apkope.



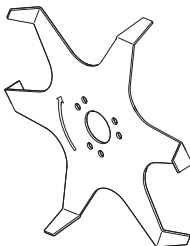
BRĪDINĀJUMS! Nepareizi naži var palielināt nelaiemes gadījumu risku.

- Nekad neļaujiet bērniem izmantot mašīnu.
- Ievērojiet, lai darba vietā nevienš neatrastos jums tuvāk par 15 m.
- Nekad neļaujiet citiem izmantot mašīnu, ja neesat pilnīgi pārliecināts, vai viņi sapratuši lietošanas pamācību.
- Kultivēšanai jānotiek dienas gaismā vai citos labi apgaismotos apstākļos.

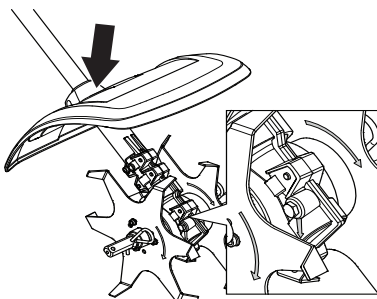
Drošības instrukcijas pirms iedarbināšanas

- Pārbaudiet darba vietas apkārtni. Novāciet visus liekos priekšmetus, piemēram, akmeņus, stiklu, naglas, stieples, auklas u.c., kas var tikt sviesti vai arī iekerties nazi vai naža aizsargā.
- Nepiederošus turiet pa gabalu. Bērni, dzīvnieki un palīgi nedrīkst atrasties tuvāk darba vietai par 15 metriem. Ja kāds tuvojas, nekavējoties apstādiniet mašīnu.
- Pirms iedarbināt mašīnu, rūpīgi to pārbaudiet. Nomainiet bojātās detaļas. Pārbaudiet, vai netek degviela un vai visi aizsargi un vāki ir kārtībā un cieši piestiprināti. Pārbaudiet visas skrūves un uzgriežņus.

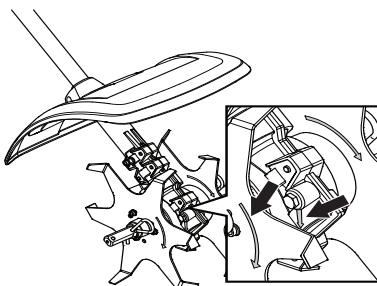
- Pārbaudiet, vai naži nav bojāti, uz tiem nav redzami iekaisējumi vai citi bojājumi. Ja nepieciešams, nomainiet nažus.



- Ievērojiet, lai naža aizsargs būtu piemontēts un nebojāts.



- Pārbaudiet, vai naži un nažu aizsargi ir kārtīgi piestiprināti. Pārliecinieties, vai sakrīt griezeļa un reduktora griešanās virzieni. Bultiņām ir jābūt vienā virzienā.



- Pārbaudiet, vai nazis nerotē tukšgaitā.
- Ievērojiet, lai rokturis un drošības funkcijas būtu kārtībā. Nekad neizmantojiet mašīnu, kurai trūkst detaļu vai arī ir veikta kādas izmaiņas ārpus specifikācijas.
- Izmantojiet mašīnu vienīgi tam, kam tā paredzēta.

Aukstas iekārtas palaišana

- Sāciet iekārtas pamata uzsildīšanu un pēc tam izslēdziet iekārtu.
- Uzstādiet papildaprīkojumu, kā norādīts montāžas instrukcijās.

DROŠĪBAS INSTRUKCIJAS

Vispārējās darba instrukcijas

SVARĪGI!

Šī nodaļa apskata pamata drošības noteikumus darbā ar kultivatoru.

Ja nonākat situācijā, kur jums nav skaidrs, kā rīkoties turpmāk, prasiet speciālista padomu. Sazinieties ar jūsu dīleri vai servisa darbnīcu.

Izvairoties no tādas lietošanas, kurai jūs neuzskatāt sevi par pietiekoši kvalificētu.

Drošības pamatnoteikumi



Uzmaniet apkārtni:

- Lai pārliecinātos, ka tuvumā nav cilvēku, dzīvnieku, vai priekšmetu, kas var ietekmēt jūsu kontroli pār mašīnu.
 - Lai nodrošinātu, ka ne cilvēki, ne dzīvnieki vai cits nenonāk kontaktā ar griešanas aprīkojumu vai atsevišķiem priekšmetiem, ko izmet griešanas aprīkojums.
 - **UZMANĪBU!** Nekad nelietojiet mašīnu, ja nav iespējams pasaukt palīdzību nelaimes gadījumā.
- 1 Nelietojiet zāģi sliktos laika apstākļos. Piemēram biežā miglā, stiprā lietus gāzē, stiprā vējā, lielā aukstumā utt. Darbs nelabvēlīgos laika apstākļos ir nogurdinošs un var radīt bīstamus apstākļus, kā piem. slidenas darba virsmas.
 - 2 Raugiet, lai jūs varat droši pārvietoties un stāvēt. Apskatieties, vai jums apkārt nav kādi šķēršļi, kas var traucēt pēkšņu nepieciešamību pārvietoties (saknes, akmeņi, zari, bedres, utt.). Esiet sevišķi uzmanīgs, strādājot uz slīpas virsmas.



- 3 Pārvietojot mašīnu, motors jāizslēdz.
- 4 Nekad nelieciet mašīnu zemē ar ieslēgtu motoru, ja jūs nevarat to paturēt savā redzes lokā.
- 5 Griešanas rīkam jādarbojas virzienā prom no lietotāja. Nekad nelietojiet rīku pret lietotāju, jo tādā veidā var gūt nopietnas traumas.

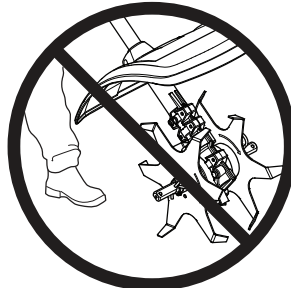
Pamata darba tehnika



- Vienmēr ieņemiet drošu un stabilu darba stāju.
- Vienmēr turiet mašīnu ar abām rokām. Mašīnu novietojiet pa labi no sevis.



- Darbinot motoru, uzmanieties, lai rokas vai kājas nepieskaras nazim.



- Turiet nažus vienmēr tuvu zemei.
- Pēc katra darba momenta samaziniet motora jaudu uz tukšgaitas ātrumu. Motora darbināšana ilgāku laiku ar pilnu jaudu bez noslogojuma (tas ir, bez pretestības, ko motors jūt ar griešanas aprīkojumu, mašīnas darba laikā) var smagi sabojāt motoru.
- Esiet papildus uzmanīgi darba laikā, veicot kultivatoru virzienā pret sevi.
- Rodoties spēcīgām vibrācijām, mašīna jāapstādina. Noņemiet aizdedzes kabeli no sveces. Pārbaudiet, vai mašīna nav bojāta. Novērsiet bojājumus, ja tādi radušies.



BRĪDINĀJUMS! Dažreiz zāle vai akmeņi var iesprūst nažos. Veicot tīrīšanu, vienmēr izslēdziet motoru.

DROŠĪBAS INSTRUKCIJAS



BRĪDINĀJUMS! Brīdinām par izmestu priekšmetu iespējamību. Vienmēr lietojiet acu aizsargaprīkojumu. Nekad nenoliecieties pār griešanas aprīkojuma aizsargaprīkojumu. Akmeņi, drāzas u. c. priekšmeti var tikt iesviesti acīs un izraisīt aklumu vai nopietnas traumas.

Nepiederošus turiet pa gabalu. Bērni, dzīvnieki un palīgi nedrīkst atrasties tuvāk darba vietai par 15 metriem. Ja kāds tuvojas, nekavējoties apstādiniet mašīnu.

Reduktors var sakarst darba laikā un neatdzist vēl kādu laiku arī pēc iekārtas izslēgšanas. Pieskaroties tam, var gūt apdegumus.

Drošības instrukcijas pēc darba pabeigšanas

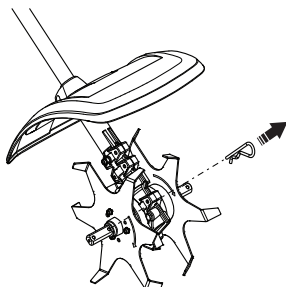


- Pirms veicat tīrīšanu, labošanu un pārbaudīšanu, pārliecinieties, vai griešanas aprīkojums ir apstājies. Noņemiet no sveces aizdedzes kabeli.
- Remontējot kultivatoru, vienmēr izmantojiet izturīgus cimdus.
- Labojot mašīnu, vienmēr izmantojiet tikai oriģinālās detaļas.
- Glabājiet mašīnu bērniem nepieejamā vietā.

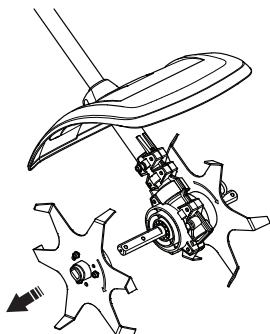
Nažu maiņa



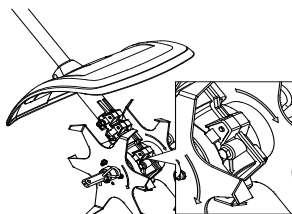
Atlaidiet sazarojuma tapu.



Noņemiet griezēju komplektu no reduktora kartera izvades ass.



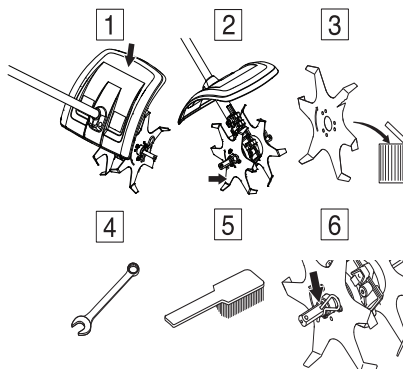
Uzstādiat griezēju komplektu uz reduktora kartera dzenamās vārpstas. Pārīecinieties, vai sakrīt griezēja un reduktora griešanās virziens. Bultiņām ir jābūt vienā virzienā.



Apkopes grafiks

Tālāk tekstā iepazīsimies ar dažām vispārējām apkopes instrukcijām. Ja jūs vēlaties papildu informāciju, griezieties servisa darbnīcā.

Ikdienas apkope



- 1 Pārbaudiet, vai aizsargaprīkojums ir nebojāts un nav iekļūcis. Nomainiet aizsargaprīkojumu, ja tas ir cietis triecienus vai ir iekļūcis.
- 2 Pārbaudiet, vai nazis nerotē tukšgaitā.
- 3 Pārbaudiet, vai naži nav bojāti, uz tiem nav redzami iekļūcējumi vai citi bojājumi. Ja nepieciešams, nomainiet nažus.
- 4 Pārbaudiet, vai skrūves un uzgriežņi ir piegriezti.
- 5 Notīriet mašīnas virsmu.
- 6 Pārbaudiet, vai nažu šķeltapas un aizbāžņi ir veseli un atrodas savās vietās.

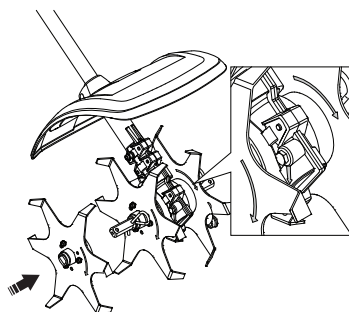
Transports un uzglabāšana

- Ja esiet paredzējuši raidera transportēšanu, tad izmantojiet vienīgi šim nolūkam paredzētas stiprinājuma saites, pēc stiprināšanas pārīecinieties, lai stiprinājumi būtu cieši nospiesti.
- Raugiet, lai pirms novietošanas ilgstošā uzglabāšanā mašīna ir labi notīrīta un tai ir veikts pilnīgs serviss.

Izvēles piederumi

2 griezēji

Uzstādiat griezēju komplektu uz reduktora kartera dzenamās vārpstas. Pārīecinieties, vai sakrīt griezēja un reduktora griešanās virziens. Bultiņām ir jābūt vienā virzienā.



TEHNISKIE DATI

Tehniskie dati

Tehniskie dati **CA230**

Svars

Svars, kg	2,9
2 griezēji	2,8
4 griezēji (papildaprīkojums)	3,7

Izmēri, mm

2 griezēji	140
4 griezēji (papildaprīkojums)	235

Trokšņa emisijas

(skatīt piezīmi.1)

Skaņas jaudas līmenis, mērīts dB(A)	105
Skaņas jaudas līmenis, garantēts L_{WA} dB(A)	109

Skaņas līmenis

(skatīt 2. piezīmi)

Ekvivalents skaņas spiediena līmenis pie lietotāja auss, mērīts atbilstoši standartiem EN ISO 22868, dB(A):

Aprīkots ar apstiprinātu piederumu (oriģināls)	92,4
------------------------------------------------	------

Vibrācijas

(skatīt 3. piezīmi)

Ekvivalents vibrāciju līmeņi ($a_{hv,eq}$) ar rokturi, ko mēra saskaņā ar EN ISO 22867, m/s^2

Aprīkots ar apstiprinātu piederumu (oriģināls), pa kreisi/pa labi	4,2/6,1
-------------------------------------------------------------------	---------

Piezīme Nr. 1: Trokšņa emisija apkārtņē ir mērīta kā trokšņa jauda (L_{WA}) saskaņā ar EK direktīvu 2000/14/EK. Aparāta skaņas intensitātes līmenis ir izmērīts ar piestiprinātu oriģinālu griezni, kas veic darbu augstākajā līmenī. Atšķirība starp garantēto un izmērīto skaņas intensitāti ir tāda, ka mērījumu rezultātā garantētajai skaņas intensitātei ir arī izkliede un novirzes starp dažādiem tā paša modeļa aparātiem, kas atbilst Direktīvai 2000/14/EK.

Piezīme Nr. 2: Sniegtajos datos par ekvivalenta trokšņa spiediena līmeni, aparātam ir tipiska statistiskā 1 dB (A) izkliede (standartnovirze).

Piezīme Nr. 3: Sniegtajos datos par ekvivalentu vibrācijas līmeni ir tipiska 1 m/s^2 statistiskā izkliede (standarta novirze).

CA230		
Apstiprināti piederumi	Tips	Aizsargs
Kultivatora griezējs	4 asmeņi	

Garantija par atbilstību EK standartiem (Attiecas vienīgi uz Eiropu)

Mēs, **Husqvarna AB**, SE-561 82 Huskvarna, Zviedrija, tālr. nr.: +46-36-146500, apliecinām, ka kultivatora agregāts **Husqvarna/Jonsered CA230** atbilst EIROPAS PADOMES DIREKTĪVAS prasībām:

- 2006. gada 17 maijs, Direktīva **2006/42/EK**, "par mašīnu tehniku".

Izmantoti sekojoši standarti: ISO 11449:1994

SMP Svensk Maskinprovning AB, Box 7035, SE-750 07 Uppsala, Zviedrijā ir brīvprātīgi veicis Husqvarna AB iekārtu tipu pārbaudi. Sertifikātu numuri: **SEC/14/2415**

Huskvarna, 2015. gada 20. aprīlis



Per Gustafsson, Nodaļas vadītājs (Pilnvarotais Husqvarna AB pārstāvis ir atbildīgs par tehnisko dokumentāciju.)

SUTARTINIAI ŽENKLAI

Simboliai

PERSPĖJIMAS!

Dėl neteisingo ar neapdairaus naudojimo, kultivatorius gali būti pavojingas įrenginys, ir naudotojas ar kiti asmenys gali rimtai ar net mirtinai susižeisti. Labai svarbu, kad Jūs perskaitytumėte ir suprastumėte šių naudojimosi instrukcijų turinį.

Prieš naudodami įrenginį, atidžiai perskaitykite operatoriaus vadovą ir įsitikinkite, ar viską gerai supratote.



Visada dėvėkite:

- Pripažintas apsaugines ausines
- Apsauginiai akiniai arba apsauginis šalmo skydelis
- Jeigu aplinkoje daug dulkių, būtina užsidėti respiratorių.



Šis gaminytis atitinka galiojančius Europos (CE) reikalavimus.



Įspėjimas dėl besisukančio peilio. Saugokite rankas ir pėdas. Rodyklė rodo sukimosi kryptį.



Dirbant šiuo įrenginiu naudotojas turi žiūrėti, kad kiti žmonės ar gyvuliai neprieitų arčiau nei 15 m atstumu.



Visada mūvėkite pripažintas apsaugines pirštines.



Avėkite tvirtus guminius batus rautytu padu.



Jokia kūno dalimi nesilieskite prie įkaitusių paviršių.



Perspėjimas dėl išmetamų ir rikošetu atšokusių daiktų.

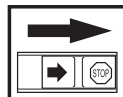


Triukšmo emisija į aplinką pagal Europos Bendrijos direktyvą. Įrenginio emisija pateikiama skyriuje "Techniniai duomenys" ir ant lipduko.

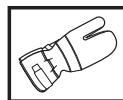


Kiti ant įrenginio pateikti simboliai (lipdukai) skirti specialiems kai kurių rinkų sertifikavimo reikalavimams.

Atlikdami apžiūrą ir/ar jį taisydami išjunkite variklį, o mygtuką nuspauskite į STOP padėtį.



Visada mūvėkite pripažintas apsaugines pirštines.



Turinys

SUTARTINIAI ŽENKLAI

Simboliai 132

TURINYS

Turinys 133

Prieš užvedant atkreipkite dėmesį: 133

KAS YRA KAS?

Kultivatoriaus priedo sudedamosios dalys 134

SAUGOS INSTRUKCIJOS

Asmens saugos priemonės 135

Įrenginio apsauginės dalys 135

Bendros saugos priemonės 137

Bendrosios darbo instrukcijos 138

TECHNINĖ PRIEŽIŪRA

Peilių keitimas 140

Techninės priežiūros grafikas 140

TECHNINIAI DUOMENYS

Techniniai duomenys 141

EB atitikties patvirtinimas 141

Prieš užvedant atkreipkite dėmesį:

Husqvarna AB nuolat siekia tobulinti savo produktus, pasilikdama sau teisę keisti jų formą ir išvaizdą be išankstinio įspėjimo.

Ilgalaikis triukšmo poveikis gali nesugrąžinamai pakenkti klausai. Todėl visada naudokite pripažintas apsaugines ausines.

Prieš naudodami įrenginį, atidžiai perskaitykite operatoriaus vadovą ir įsitikinkite, ar viską gerai supratote.

Ši instrukcija yra kaip priedas prie kartu su mašina pateikiamos instrukcijos. Kitais atvejais vadovaukitės mašinos instrukcija.



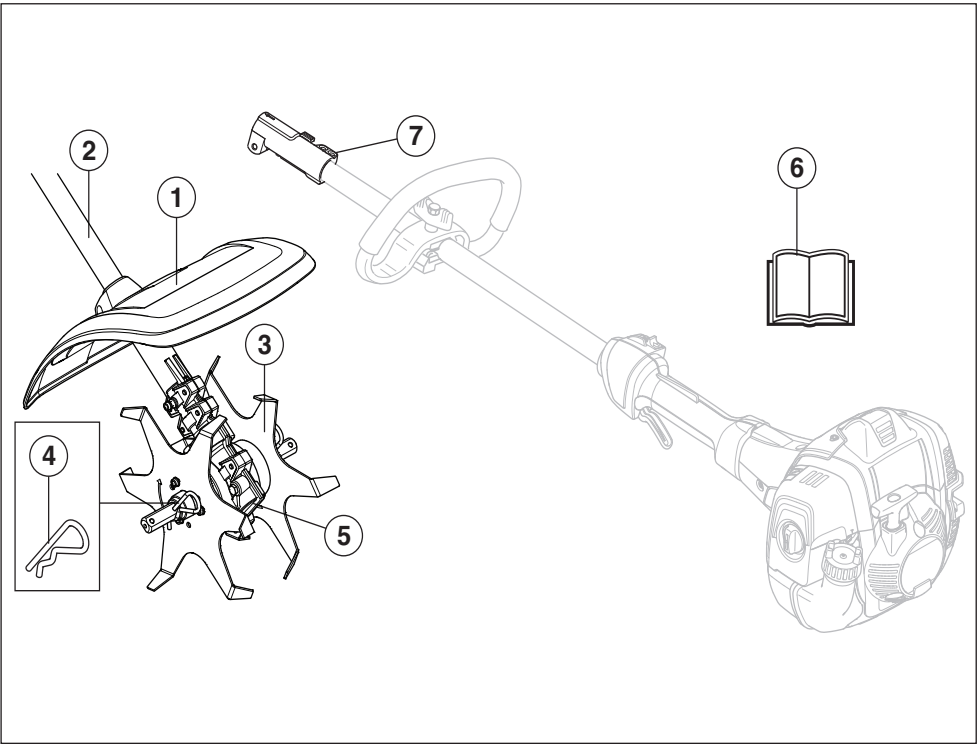
PERSPĖJIMAS! Be gamintojo leidimo jokiū būdu negalima keisti įrenginio konstrukcijos. Visada naudokite originalias atsargines dalis. Nesuderinti konstrukcijos pakeitimai bei nepritaikytos detalės gali sukelti rimtus kūno sužalojimus ir net mirtį.



PERSPĖJIMAS! Ši įranga turi būti naudojama tik kartu su atitinkamais valymo pjūklais / trimeriais, žr. dalį pažymėta „Patvirtinta įranga“ skyriuje „Techniniai duomenys“ mašinos naudojimo instrukcijoje.

Įrenginys skirtas tik kultivavimo darbams.

KAS YRA KAS?



Kultivatoriaus priedo sudedamosios dalys

- | | |
|---------------------|---------------------------------------------|
| 1 Peilių apsauga | 5 Pavaros korpusas |
| 2 Stovas | 6 Operatoriaus vadovas |
| 3 Peiliai | 7 Stovo jungtis (priklauso bazinei mašinai) |
| 4 Išardomas kaištis | |

SAUGOS INSTRUKCIJOS

Asmens saugos priemonės



PERSPĖJIMAS! Naudodami įrenginį, visada dėvėkite patvirtintas asmens saugos priemones. Asmens saugos priemonės nepašalina sužeidimo rizikos, tačiau nelaimingo atsitikimo atveju mažiau nukentėsite. Paprašykite pardavėjo išrinkti Jums tinkamiausias priemones. Prieš naudodami įrenginį, atidžiai perskaitykite operatoriaus vadovą ir įsitikinkite, ar viską gerai supratote.

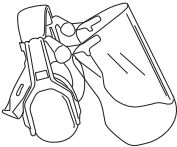


PERSPĖJIMAS! Naudojant apsaugines ausines, būkite atidus dėl įspėjamųjų signalų ar garsų. Išjungus variklį, visada nusiimkite apsaugines ausines.

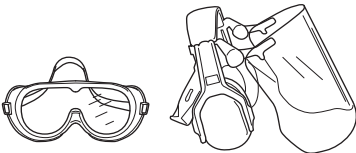
- Prireikus mėvėkite pirštines.



- Nešiokite pakankamomis garso slopinimo savybėmis pasižyminčias apsaugines ausines.



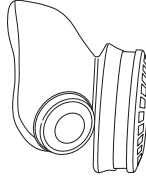
- Visada nešiokite akių apsaugą. Jei naudojamas apsauginis skydelis, turi būti nešiojami ir pripažinti apsauginiai akiniai. Pripažinti apsauginiai akiniai yra tie, kurie atitinka ANSI Z87.1 JAV arba EN 166 ES šalims standartą. Atsitrenkiančios šakos ar puštuvo pakelti daiktai gali sužaloti akis.



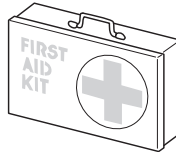
- Avėkite tvirtus guminius batus rantytu padu.



- Visada mėvėkite sunkias ilgas kelnes, batus, pirštines ir marškinius ilgomis rankovėmis. Kad išvengtumėte sužeidimų pavojaus, įtraukus daiktus į besisukančias dalis, nedėvėkite laisvų drabužių, šalikų, papuošalų ir pan. Žiūrėkite, kad plaukai nekristų žemiau pečių.
- Jeigu aplinkoje daug dulkių, būtina užsidėti respiratorių.



- Po ranka visada turėkite pirmosios pagalbos vaistinėlą.



Įrenginio apsauginės dalys

Šiame skyriuje pasakojama apie įvairius įrenginio saugos elementus, aiškinama, kaip jie veikia, patariama, kaip juos prižiūrėti ir tvarkyti, jei norite, kad pjūklas dirbtų gerai ir saugiai. Žr. skyrių Kas yra kas?, jei norite pamatyti, kur kokia detalė yra Jūsų įrenginyje.

Įrenginio tinkamai techniškai neprižiūrint ir profesionaliai neatliekant remonto darbų, gali sutrumpėti jo eksploatacijos trukmė ir padidėti nelaimingų atsitikimų pavojus. Dėl papildomos informacijos, kreipkitės į artimiausias techninės priežiūros dirbtuves.

SVARBU! Naudodami įrenginį, visada dėvėkite patvirtintas asmens saugos priemones. Asmens saugos priemonės nepašalina sužeidimo rizikos, tačiau nelaimingo atsitikimo atveju mažiau nukentėsite. Paprašykite pardavėjo išrinkti Jums tinkamiausias priemones.



PERSPĖJIMAS! Niekada nenaudokite įrenginio, jeigu jo saugos įranga neveikia. Laikykitės kontrolės, priežiūros ir taisyms instrukcijų, kurios yra nurodytos šiame skyrelyje.

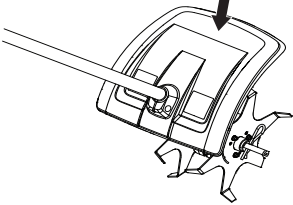
SAUGOS INSTRUKCIJOS

Pjovimo įrangos apsauga



Šis skydas yra skirtas apsaugoti naudotoją nuo link jo lekiančių skiedrų. Skydas taip pat neleidžia naudotojui netyčia prisiliesti prie pjovimo įrangos.

- Patikrinkite, ar apsauginis skydas nepažeistas ir neįskilęs.

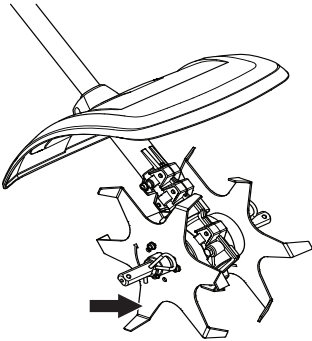


- Jei apsauginis skydas deformuotas ar įskilęs, pakeiskite jį.

Pjovimo įranga



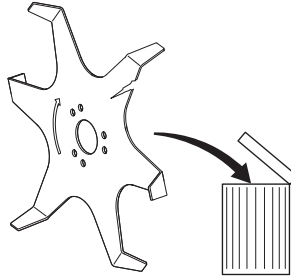
Peiliai sukonstruoti ir apdoroti taip, kad atlaikytų kultivavimo apkrovą.



Dvi esminės taisyklės:

- 1 Pjovimo įrangą naudokite tik su mūsų rekomenduojama apsauga!

- 2 Tikrinkite, ar pjovimo įrangą nepažeista ir neįskilusi. Pažeista pjovimo įranga turi būti nedelsiant pakeista.



PERSPĖJIMAS! Prieš dirbdami su be kuria priedo dalimi, visada sustabdykite variklį. Jis gali ir toliau judėti net ir atleidus akceleratorių. Prieš pradėdami dirbti prie šios įrangos, įsitinkinkite, ar priedas visiškai sustojo, nuo žvakės nuimkite laidą.



PERSPĖJIMAS! Niekada nesinaudokite įrenginiu, jei jo apsauginė įranga yra netvarkinga. Jo apsauginė įranga turi būti tikrinama ir prižiūrima taip, kaip yra aprašyta šiame skyrelyje. Jei jūsų įrenginys neatliks nors vieno kontrolės reikalavimo, kreipkitės į remonto dir

SAUGOS INSTRUKCIJOS

Bendros saugos priemonės

SVARBU!

Įrenginį naudokite tik tiems tikslams, kuriems jis yra skirtas. Įrenginys skirtas tik kultivavimo darbams.

Niekada nenaudokite įrenginio, jei esate pavargę, jei vartojote alkoholiį ar vaistus, kurie gali turėti įtakos jūsų regėjimui, nuovokai ar koordinacijai.

Dėvėkite asmens saugos priemones. Žr. poskyrį "Asmens saugos priemonės".

Niekada nenaudokite įrenginio, kurio konstrukcija yra modifikuota, lyginant su gamyklos standartu.

Niekada įrenginio nenaudokite ekstremaliomis klimatinėmis sąlygomis, pvz., esant dideliam šalčiui ar labai karštam ir/ arba drėgnam klimatui.

Niekada nenaudokite techniškai netvarkingo įrenginio. Reguliariai atlikinėkite patikras ir vykdykite techninės priežiūros nurodymus, pateiktus šiame vadove. Kai kurias techninės priežiūros procedūras gali atlikti tik apmokyti ir kvalifikuoti specialistai, žr. nurodymus skyriuje "Techninė priežiūra".



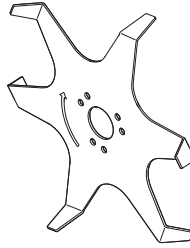
PERSPĖJIMAS! Blogi peiliai gali padidinti nelaimių pavojų.

- Niekada neleiskite vaikams naudotis įrenginiu.
- Žiūrėkite, kad dirbant niekas neprieitų arčiau kaip per 15 m.
- Niekuoomet niekam neleiskite dirbti įrenginiu prieš tai neįsitikinę, kad jie perskaitė ir suprato operatoriaus vadove pateiktus nurodymus.
- Kultivavimo darbai turi būti atliekami tik šviesiu paros metu arba kitomis gerai apšviestomis sąlygomis.

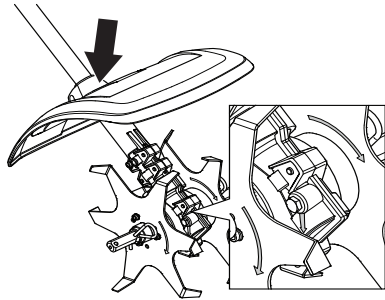
Saugumo instrukcijos prieš pradėdamas darbą

- Apžiūrėkite darbo plotą. Nurinkite pašalinius daiktus – akmenis, stiklo šukes, vinis, plienines vielas, virvutes ir panašius daiktus, kurie gali būti išmetami ar įpainioti į peilį ar peilio apsaugą.
- Neprisileiskite artyn pašalinių. Vaikai, gyvuliai, stebėtojai ir padėjėjai turi būti nutolę saugiu 15 m atstumu. Tuoj pat sustabdykite įrenginį, jei kas nors artinasi.
- Prieš pradėdami darbą patikrinkite visą įrenginį. Pakeiskite sugedusias dalis. Patikrinkite, ar nebėga kuras, ar visos saugos priemonės ir dangteliai yra savo vietose ir patikimai pritvirtinti. Patikrinkite visas varžles ir varžtus.

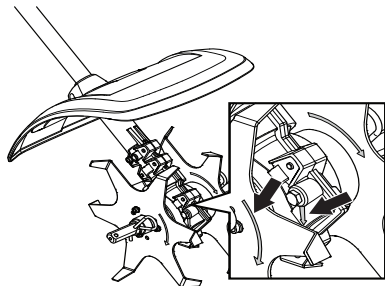
- Patikrinkite, ar peiliai nėra pažeisti, neįtrūkę ir neturi kitų defektų. Jei reikia, pakeiskite peilius.



- Įsitikinkite, ar peilio apsauga yra pritvirtinta ir nepažeista.



- Patikrinkite, ar peiliai ir peilių apsauga yra gerai pritvirtinti. Patikrinkite, ar sutampa pjovimo įtaiso ir pavaros sukimosi kryptys. Rodyklės turi rodyti ta pačia kryptimi.



- Patikrinkite, ar peiliai nejuda prie laisvosios eigos.
- Pažiūrėkite, ar rankena ir saugos priemonės yra tvarkingos. Niekada nesinaudokite įrenginiu, kuriame trūksta detalių ar jos pakeistos lyginant su specifikacija.
- Įrenginį naudokite tik tiems tikslams, kuriems jis yra skirtas.

Kai paleidžiama šalta:

- Užveskite bazinę mašiną ir leiskite padirbti, kol sušils, tada išjunkite.
- Prijunkite priedą, kaip nurodyta surinkimo nurodymuose.

SAUGOS INSTRUKCIJOS

Bendrosios darbo instrukcijos

SVARBU!

Šiame skyrelyje aprašomos bendrosios saugumo taisyklės dirbant kultivatoriumi.

Jei tam tikroje situacijoje nežinosite kaip pasielgti, pasiklauskite specialisto. Kreipkitės į pardavėją ar aptarnavimo dirbtuves.

Nedirbkite darbu, kurio nemokate ar jaučiatės nepakankamai kvalifikuotas.

Esminės saugumo taisyklės



Apsidairykite aplink:

- Ar šalia nėra žmonių, gyvulių ar kt., kas galėtų trukdyti jūsų darbui šiuo įrenginiu.
 - Įsitikinkite, ar įrenginio pjovimo įranga ir nuo pjovimo įrangos lekiančios skiedros nesužeis kitų žmonių, gyvulių ar kitų.
 - PASTABA! Niekada nenaudokite įrenginio, jei nelaimės atveju nebūtų kaip iškviešti pagalbą.
- 1 Nenaudokite gaminio blogu oru. Pavyzdžiui, esant tirštam rūkui, smarkiai lyjant, pučiant stipriam vėjui, per didelius šalčius ir t. t. Darbas blogomis oro sąlygomis vargina, padidėja rizikos faktoriai, pavyzdžiui, dėl slidaus pagrindo.
 - 2 Apžiūrėkite, ar jūsų darbo vietoje nėra kliūčių. Pavyzdžiui, išsikišusių šaknų, akmenų, šakų, griovių, jei kartais tektų greitai pasitraukti. Labai atsargiai dirbkite ant stačių šlaitų.



- 3 Perkeliant įrenginį, būtina išjungti variklį.
- 4 Neišjungę variklio niekada nedėkite įrenginio ant žemės, jei Jūs jo nematote.
- 5 Pjovimo įtaisai turi būti nukreiptas nuo operatoriaus. Niekada nedirbkite su įrankiu, nukreiptu į operatorių, nes galite susižeisti.

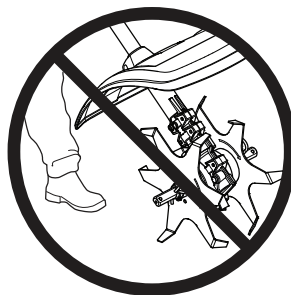
Pagrindiniai darbo principai



- Visuomet pasitikrinkite, ar Jūs turite saugią ir tvirtą atramą kojomis.
- Visada laikykite įrenginį abiem rankomis. Įrenginį laikykite dešinėje kūno pusėje.



- Žiūrėkite, kad varikliui dirbant Jūsų rankos ar kojos nepaliestų peilio.



- Peilius visada laikykite arti žemės paviršiaus.
- Padirbus kurį laiką atleiskite akseleratoriaus gaiduką, kad variklis suktųsi laisva eiga. Ilgalaikis variklio darbas pilnu pajėgumu be apkrovimo (t. y. be pasipriešinimo, kurį variklis patiria per pjovimo įrangą dirbant įrenginiu) gali rimtai pakenkti varikliui.
- Būkite ypač atidūs, kai darbo metu traukiate kultivatorių.
- Jei padidėja vibracija, išjunkite įrenginį. Nuimkite degimo kabelį nuo žvakės. Patikrinkite, ar įrenginys nesugedo. Pašalinkite gedimą.



PERSPĖJIMAS! Kartais peiliuose užstringa žolė ir šakos. Prieš valant, visada išjunkite variklį.

SAUGOS INSTRUKCIJOS



PERSPĖJIMAS! Saugokitės atplaišų. Visada naudokite akių apsaugą. Niekada nesilenkite virš pjovimo įrangos apsaugos. Akmenys, šiukšlės ir t. t. gali pataikyti į akis ir apakinti arba kitaip sunkiai sužeisti.

Neprisileiskite artyn pašalinių. Vaikai, gyvuliai, stebėtojai ir padėjėjai turi būti nutolę saugiu 15 m atstumu. Tuo pat sustabdykite įrenginį, jei kas nors artinasi.

Dirbant pavara įkaista ir paskui kurį laiką gali būti įkaitusi. Todėl nesilieskite, nes yra pavojus nusideginti.

Saugumo instrukcijos pabaigus darbą

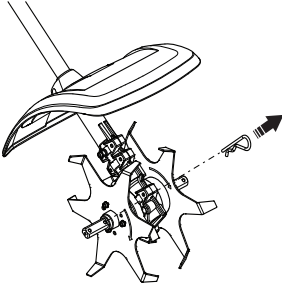


- Prieš pradėdami valyti įrenginį, tikrinti ar taisyti gedimus įsitikinkite, ar pjovimo įranga sustojo. Nuimkite žvakės kabelį nuo žvakės.
- Remontuodami kultivatorių, visada naudokite stiprias pirštines.
- Remontuodami įrenginį naudokite tik originalias atsargines dalis.
- Įrenginį laikykite ten, kur jo negali pasiekti vaikai.

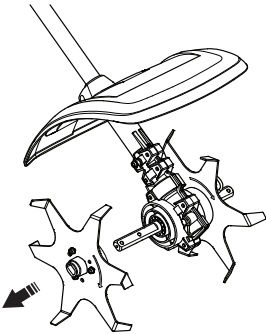
Peilių keitimas



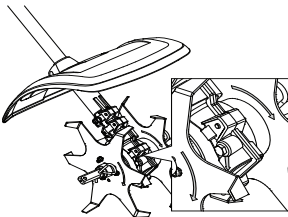
Atlaisvinkite fiksavimo kaištį.



Nuimkite pjovimo įtaisą nuo pavaros korpuso išvesties ašies.



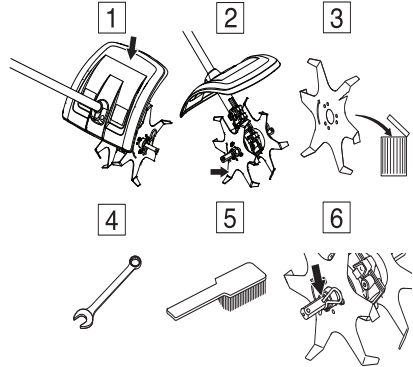
Uždėkite pjovimo įtaisą ant pavaros korpuso išvesties veleno. Patikrinkite, ar sutampa pjovimo įtaiso ir pavaros sukimosi kryptys. Rodyklės turi rodyti ta pačia kryptimi.



Techninės priežiūros grafikas

Toliau pateikiamos bendros priežiūros instrukcijos. Dėl papildomos informacijos kreipkitės į aptarnavimo centrą.

Kiekvieną dieną



- 1 Patikrinkite, ar apsauginis skydas nepažeistas ir neįskilęs. Smūgio deformuotą ar įskilusį apsauginį skydą pakeiskite.
- 2 Patikrinkite, ar peiliai nejuda prie laisvosios eigos.
- 3 Patikrinkite, ar peiliai nėra pažeisti, neįtrūkę ir neturi kitų defektų. Jei reikia, pakeiskite peilius.
- 4 Patikrinkite, ar priveržti varžtai ir veržlės.
- 5 Išvalykite įrenginį išoriškai.
- 6 Patikrinkite, ar peilių smeigės ir fiksavimo kaiščiai yra nedeformuoti ir savo vietoje.

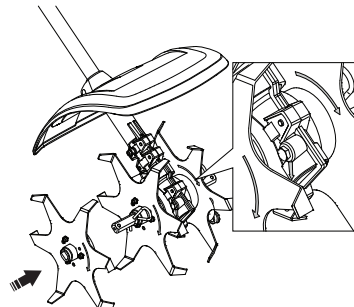
Gabenimas ir laikymas

- Noredami traktoriuku pervežti, visada naudokite pripažintas fiksavimo priemones ir pasirūpinkite, kad jis būtų saugiai pritvirtintas.
- Jei įrenginį nesiruošiate naudoti ilgesnį laiką, užtikrinkite, kad jis būtų gerai išvalytas ir jam atliktas pilnas aptarnavimas.

Papildomai įsigijami priedai

2x pjovimo įtaisai

Uždėkite pjovimo įtaisą ant pavaros korpuso išvesties veleno. Patikrinkite, ar sutampa pjovimo įtaiso ir pavaros sukimosi kryptys. Rodyklės turi rodyti ta pačia kryptimi.



TECHNINIAI DUOMENYS

Techniniai duomenys

Techniniai duomenys **CA230**

Svoris

Svoris, kg	2,9
2x pjovimo įtaisai	2,8
4x pjovimo įtaisai (priedai)	3,7

Matmenys, mm

2x pjovimo įtaisai	140
4x pjovimo įtaisai (priedai)	235

Triukšmo emisijos

(žr. pastabą 1)

Garso stiprumo lygis, išmatuotas dB(A)	105
Garso stiprumo lygis, garantuotas L_{WA} dB(A)	109

Garso lygiai

(žr. 2 pastabą)

Tolygus garso spaudimo lygis ties naudotojo ausimis išmatuotas pagal EN ISO 22868, dB(A):

Su patvirtintu naudoti originaliu priedu	92,4
------------------------------------------	------

Vibracija

(žr. 3 pastabą)

Ekvivalentiški rankenų vibracijos lygiai ($a_{hv,eq}$), išmatuoti pagal EN ISO 22867, m/s^2

Su patvirtintu naudoti originaliu (kairiuoju arba dešiniuoju) priedu	4,2/6,1
----------------------------------------------------------------------	---------

1 pastaba. Triukšmo emisija į aplinką išmatuota kaip garso stiprumas (L_{WA}) pagal EB direktyvą 2000/14/EG. Pateiktas įrenginio garso stiprumo lygis buvo išmatuotas naudojant didžiausią garsą sukeltiantį originalų pjovimo įtaisą. Skirtumas tarp garantuojamojo ir matuojamojo garso stiprumo yra tas, kad pagal Direktyvą 2000/14/EB garantuojamasis garso stiprumas apima ir matavimo rezultatų sklaidą bei nukrypimus tarp skirtingų to pačio modelio įrenginių.

2 pastaba. Pateikti duomenys apie ekvivalentišką įrenginio triukšmo slėgio lygį yra su 1 dB (A) tipiška statistine sklaida (standartiniu nuokrypiu).

3 pastaba. Pateikti ekvivalentiško vibracijos lygio duomenys yra su 1 m/s^2 tipiška statistine sklaida (standartiniu nuokrypiu).

CA230		
Pripažinti priedai	Tipas	Apsauga
Kultivatoriaus pjaustytuvas	4x peiliai	

EB atitikties patvirtinimas (galioja tik Europoje)

Mes, **Husqvarna AB**, SE561 82 Huskvarna, Švedija, tel.: + 46-36-146500, pareiškiame, kad kultivatoriaus priedas **Husqvarna/Jonsered CA230** atitinka TARYBOS DIREKTYVOS reikalavimus:

- 2006 m. gegužės 17 g. direktyva **2006/42/EB** "dėl mašinų".

Taikyti šie standartai: ISO 11449:1994

SMP Svensk Maskinprovning AB, Box 7035, SE-750 07 Uppsala, Švedija, atliko savanorišką tipo kontrolę Husqvarna AB prašymu. Sertifikatų numeriai: **SEC/14/2415**

Huskvarna, 2015 m. balandžio 20 d.



Per Gustafsson, Vystymo vadovas (Igaliotas Husqvarna AB atstovas ir atsakingas už techninę dokumentaciją.)

VYSVĚTLENÍ SYMBOLŮ

Symbols

VÝSTRAHA!

Při nesprávném nebo neopatrném použití se kultivátor může stát nebezpečným nástrojem, který může obsluze nebo dalším osobám způsobit závažný nebo smrtelný úraz. Je mimořádně důležité, abyste si prostudovali tento návod k obsluze a pochopili jeho obsah.

Než začnete stroj používat, prostudujte si, prosím, pečlivě návod k použití a ubezpečte se, že jste dokonale pochopili pokyny v něm uvedené.

Vždy používejte:

- Schválenou ochranu sluchu
- Ochranné brýle či štít
- V prašném prostředí musí být používána obličejová maska (respirátor).

Tento výrobek vyhovuje platným předpisům CE.

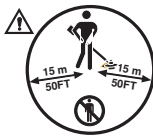
Pozor na otáčející se radičku. Chraňte své ruce a nohy. Šipka označuje směr otáčení.

Uživatel stroje je povinen dohlédnout na to, aby se během práce nevyskytovala žádná osoba nebo zvíře v okruhu 15 metrů od stroje.

Vždy používejte schválené ochranné rukavice.

Používejte pevnou neklouzavou obuv.

Všechny části těla udržujte mimo dosah horkých povrchů.



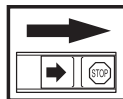
Pozor na odvržené a odražené předměty.



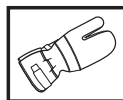
Emise hluku do okolí dle direktivy Evropského společenství. Emise stroje je udána v kapitole Technické údaje a na nálepce.

Další symboly / štítky na zařízení se týkají zvláštních certifikačních požadavků pro určité obchodní trhy.

Před zahájením jakékoli kontroly či údržby vypněte motor přesunutím vypínače do polohy STOP.



Vždy používejte schválené ochranné rukavice.



Obsah

VYSVĚTLENÍ SYMBOLŮ

Symboly 142

OBSAH

Obsah 143

Před startováním nezapomínejte na následující: 143

CO JE CO?

Co je co na příslušenství kultivátoru? 144

BEZPEČNOSTNÍ PŘEDPISY

Osobní ochranné pomůcky 145

Bezpečnostní vybavení stroje 145

Obecná bezpečnostní opatření 147

Obecné pracovní pokyny 148

ÚDRŽBA

Výměna nožů 150

Schema technické údržby 150

TECHNICKÉ ÚDAJE

Technické údaje 151

ES Prohlášení o shodě 151

Před startováním nezapomínejte na následující:

Společnost Husqvarna AB se řídí strategií neustálého vývoje výrobku a proto si vyhrazuje právo měnit konstrukci a vzhled výrobků bez předchozího upozornění.

Dlouhodobé vystavování působení hluku může vést k trvalému poškození sluchu. Proto vždy používejte schválenou ochranu sluchu.

Než začnete stroj používat, prostudujte si, prosím, pečlivě návod k použití a ubezpečte se, že jste dokonale pochopili pokyny v něm uvedené.

Tento návod je pouze doplňkem obsáhlejšího návodu k obsluze stroje, který je dodáván se strojem. Pokyny o zacházení se strojem naleznete v návodu k obsluze stroje.



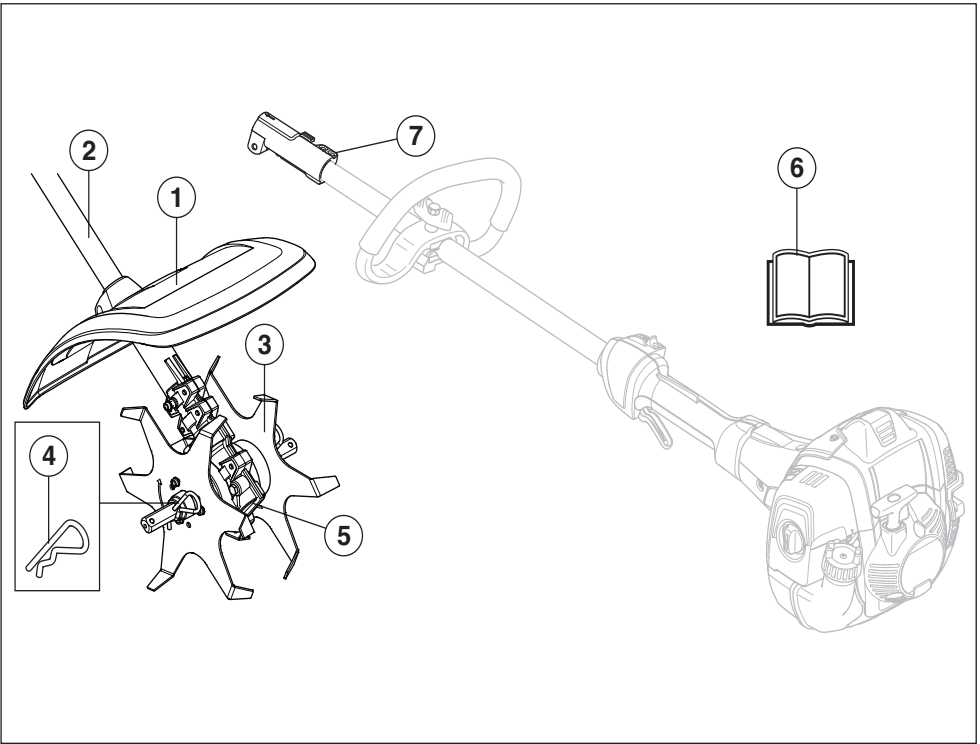
VÝSTRAHA! Konstrukce zařízení nesmí být za žádných okolností upravována bez svolení výrobce. Vždy používejte originální příslušenství. Nepovolené úpravy a/nebo příslušenství může vést k vážnému nebo smrtelnému zranění obsluhy nebo jiných osob.



VÝSTRAHA! Tato příslušenství lze používat pouze v kombinaci s určitými modely křovinořezů/vyžinačů. Informaci o vhodném příslušenství naleznete v návodu k obsluze stroje, v kapitole „Technické parametry“, pod rubrikou „Schválené příslušenství“.

Stroj je určen pouze pro kultivaci.

CO JE CO?



Co je co na příslušenství kultivátoru?

- | | | | |
|---|-----------------------|---|-------------------------------------------------|
| 1 | Ochranný kryt kotouče | 5 | Skříň převodovky |
| 2 | Trubka hřídele | 6 | Návod k použití |
| 3 | Kotouče | 7 | Spoj trubky hřídele (Patří k základnímu stroji) |
| 4 | Závlačka | | |

BEZPECNOSTNÍ PŘEDPISY

Osobní ochranné pomůcky



VÝSTRAHA! Při každém použití stroje je nutné používat schválené osobní ochranné pomůcky. Osobní ochranné pomůcky nemohou vyloučit nebezpečí úrazu, ale snižují míru poranění v případě, že dojde k nehodě. Požádejte svého prodejce o pomoc při výběru správného vybavení. Než začnete stroj používat, prostudujte si, prosím, pečlivě návod k použití a ubezpečte se, že jste dokonale pochopili pokyny v něm uvedené.

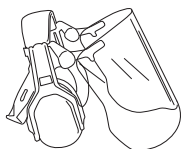


VÝSTRAHA! Je nutné dát vždy pozor na výstražné signály nebo volání, používáte-li ochranu sluchu. Sejměte vždy ochranu sluchu ihned po zastavení motoru.

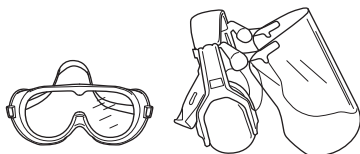
- V případě potřeby použijte rukavice.



- Použijte ochranu sluchu s dostatečným tlumícím účinkem.



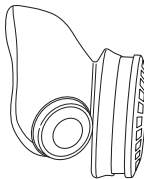
- Použijte vždy schválenou ochranu očí. Použijete-li vizír je nutno použít i schválené ochranné brýle. Schválené ochranné brýle jsou takové, které odpovídají standardu ANSI Z87.1 pro USA nebo EN 166 pro státy EU. Části větví nebo předměty vymrštěné proudem vzduchu mohou poranit vaše oči.



- Použijte pevnou neklouzavou obuv.



- Vždy používejte pevné dlouhé kalhoty, boty, rukavice a triko s dlouhým rukávem. Za účelem snížení nebezpečí poranění při vtažení předmětů do rotujících částí, nepoužívejte volné oblečení, šátky, šperky atd. Zajistěte, aby se vaše vlasy nedostaly pod úroveň ramen.
- V prašném prostředí musí být používána obličejová maska (respirátor).



- Vždy mějte po ruce soupravu pro poskytování první pomoci.



Bezpečnostní vybavení stroje

Tato část popisuje bezpečnostní vybavení stroje, jeho účel a způsob, kterým by se měla provádět kontrola a údržba, aby byla zajištěna jeho správná funkce. Pokud chcete zjistit, kde je toto vybavení na stroji umístěno, prostudujte si část Co je co?

Životnost stroje se může zkracovat a riziko úrazů zvyšovat, jestliže se údržba stroje neprovádí správně nebo se opravy neprovádějí odborně. Pokud potřebujete další informace, obraťte se na nejbližší servisní dílnu.

UPOZORNĚNÍ! Při každém použití stroje je nutné používat schválené osobní ochranné pomůcky. Osobní ochranné pomůcky nemohou vyloučit nebezpečí úrazu, ale sníží míru poranění v případě, že dojde k nehodě. Požádejte svého prodejce o pomoc při výběru správného vybavení.



VÝSTRAHA! Nikdy nepoužívejte stroj, který má poškozené bezpečnostní vybavení! Pravidelně provádějte kontrolu a údržbu popsanou v této části.

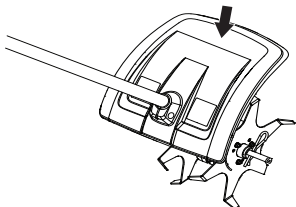
BEZPEČNOSTNÍ PŘEDPISY

Kryt řezného vybavení



Účelem tohoto krytu je zamezit odlétávání odhozených předmětů směrem k uživateli. Kryt zabrání také přímému kontaktu uživatele s řezným vybavením.

- Zkontrolujte, že kryt není poškozený ani nemá trhlinky.

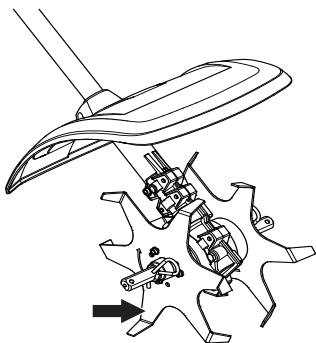


- Vyměňte kryt, pokud utrpěl náraz nebo má trhlinky.

Řezný mechanismus



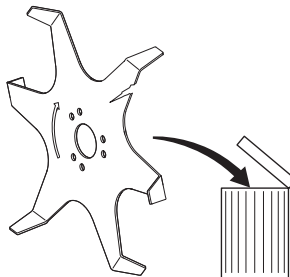
Radličky jsou konstruovány a zhotoveny tak, aby odolávaly zatížením vznikajícím při kultivaci.



Dvě zásadní pravidla:

- 1 Řezací nástavce používejte pouze s kryty dle našeho doporučení!

- 2 Kontrolujte řezné vybavení co do poškození a vzniku trhlinek. Poškozené řezné vybavení je nutné vždy vyměnit.



VÝSTRAHA! Před prováděním práce na jakémkoli dílu příslušenství vždy zastavte motor. Může se pohybovat i po uvolnění plynu. Před začátkem práce zkontrolujte, zda se zcela zastavilo příslušenství, a odpojte vysokonapěťové kabely od zapalovací svíčky.



VÝSTRAHA! Nikdy nepoužívejte stroj, jehož bezpečnostní vybavení je poškozené! Kontrolu a údržbu bezpečnostního vybavení stroje je nutno provádět podle postupů uvedených v této části textu. V případě, že by stroj nevyhověl při jakékoli z těchto kontrol, je nutno vyhledat autorizované servisní středisko a nechat závadu odstranit.

BEZPEČNOSTNÍ PŘEDPISY

Obecná bezpečnostní opatření

UPOZORNĚNÍ!

Stroj používejte pouze k tomu účelu, ke kterému je určen. Stroj je určen pouze pro kultivaci.

Nikdy nepoužívejte stroj, jste-li unaveni, jestliže jste požili alkohol nebo jestliže užíváte léky, které by mohly ovlivnit váš zrak, úsudek nebo pohybovou koordinaci.

Používejte osobní ochranné pomůcky. Viz pokyny v části Osobní ochranné pomůcky.

Nikdy nepoužívejte stroj, jehož konstrukce byla jakkoli pozměněna oproti jeho původním specifikacím.

Nepoužívejte nikdy stroj za zvláště nepříznivých podnebních podmínek, jako např. za velkého mrazu nebo v horkém a/ nebo vlhkém podnebí.

Nikdy nepoužívejte stroj, který není zcela v pořádku. Dodržujte pokyny pro kontroly, údržbu a servis popsané v této příručce. Některé úkony údržby a opravy mohou provádět pouze vyškolení a kvalifikovaní odborníci. Viz pokyny v části Údržba.



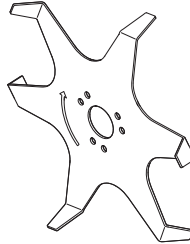
VÝSTRAHA! Poškozené kotouče mohou zvýšit nebezpečí vzniku nehod.

- Nedovolte dětem používat stroj.
- Dohlédněte na to, aby se během práce nikdo nedostal blíže než 15 m.
- Nedovolte pracovat se strojem nikomu, kdo si předem nepřečetl a neporozuměl obsahu návodu k použití.
- Kultivaci provádějte pouze za denního světla nebo za jiných dobrých světelných podmínek.

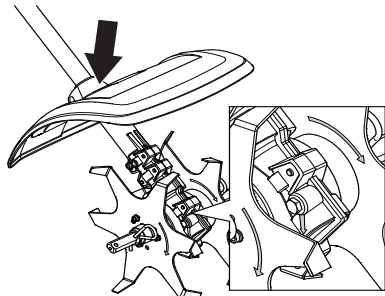
Bezpečnostní pokyny před startováním

- Zkontrolujte pracovní plochu. Odstraňte všechny volně ležící předměty, jako kameny, střepy, hřebíky, ocelové dráty, provazy atd., mohly by být odhazeny nebo se namotat na nůž nebo na kryt nože.
- Držte nepovolané osoby mimo pracovní plochu. Děti, zvířata, diváci a pomocníci se musí nacházet mimo bezpečnostní zónu 15 m od stroje. Jakmile se někdo blíží okamžitě stroj vypněte.
- Před započítím práce zkontrolujte celý stroj. Vyměňte všechny poškozené díly. Zkontrolujte těsnost palivové soustavy a zda jsou všechny kryty a poklopy kompletní a dostatečně upevněny. Zkontrolujte všechny šrouby a matice.

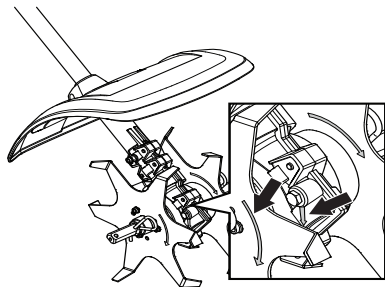
- Zkontrolujte, zda jsou radličky nepoškozené a zda nevykazují trhlinky nebo jiného poškození. V případě potřeby radličky vyměňte.



- Dohlédněte na to, aby byl kryt nože namontován a nepoškozen.



- Zkontrolujte, zda radličky a ochranný kryt radliček jsou správným způsobem zajištěny. Zkontrolujte, zda se shoduje směr otáčení kotoučů a převodovky. Šipka musí ukazovat stejným směrem.



- Zkontrolujte, zda se kotouč neotáčí, když motor běží na volnoběh.
- Dohlédněte na to, aby rukojeť a bezpečnostní funkce byly v pořádku. Nikdy nepoužívejte stroj, kterému chybí kterákoliv část nebo který byl změněn oproti specifikaci.
- Stroj používejte pouze k tomu účelu, ke kterému je určen.

Při startování za studena:

- Nechte základní stroj zahřát a vypněte jej.
- Namontujte příslušenství podle montážních pokynů.

Obecné pracovní pokyny

UPOZORNĚNÍ!

V tomto oddílu jsou uvedeny základní bezpečnostní opatření pro práci s kultivatorem.

Dostanete-li se do situace, kdy pocítíte jakoukoliv pochybnost co do práce s vybavením, požádejte o radu odborníka. Spojte se s vaším prodejcem nebo servisem.

Nepoužívejte vybavení, necítíte-li se dostatečně kvalifikováni.

Základní bezpečnostní pravidla



Sledujte své okolí:

- Abyste zabezpečili, že žádní lidé, zvířata ani nic jiného nemůže ovlivnit vaši kontrolu nad strojem.
 - Zajištění, že se ani osoby ani zvířata nemohou dostat do kontaktu s řezným vybavením nebo s předměty řezným vybavením odmrštěnými.
 - **VAROVÁNÍ!** Nikdy nepracujte se strojem, nemáte-li možnost přivolat pomoc v případě nehody.
- 1 Nepoužívejte motorový foukač za špatného počasí, jako např. v husté mlze, prudkém dešti, silném větru, silném mrazu apod. Práce za špatného počasí je namahavá a může vést k nebezpečným okolnostem, např. ke kluzkému podloží.
 - 2 Ujistěte se, že se můžete volně pohybovat a bezpečně stát. Zkontrolujte, zda ve vašem bezprostředním okolí nejsou nějaké překážky (kořeny, kameny, větve, jámy, příkopy apod.), pro případ, že by bylo nutné se rychle přesunout. Zvláštní pozornost věnujte práci ve svažitém terénu.



- 3 Před přemístěním stroje musí být motor vypnutý.
- 4 Nikdy neodkládejte stroj, který je v chodu, aniž byste jej měli pod plnou kontrolou.
- 5 Nástroj musí pracovat v bezpečné vzdálenosti od obsluhy. Nikdy nepracujte s nástrojem směřujícím k obsluze. Mohlo by dojít k vážnému zranění.

Hlavní principy činnosti



- Vždy dbejte na to, abyste při práci pevně a stabilně stáli.
- Stroj držte vždy oběma rukama. Držte stroj po pravé straně těla.



- Dbejte na to, aby se ruce ani nohy nedostaly do kontaktu s nožem, je-li motor v chodu..



- Radličky musí být vždy umístěny těsně u země.
- Po každém pracovním úkonu nechte motor jít na volnoběh. Je-li motor po delší dobu v chodu nezatížený a na plný plyn (tj. bez odporu, kterým je motor zatěžován řezným vybavením během práce se strojem) je nebezpečí jeho vážného poškození.
- Pokud při práci táhnete kultivátor směrem k sobě, buďte zvlášť opatrní.
- Projeví-li silné vibrace, zastavte stroj. Sejměte kabel zapalování ze svíčky. Zkontrolujte, zda stroj není poškozen. Případná poškození opravte.



VÝSTRAHA! Občas se může do radliček zachytit tráva nebo kameny. Při provádění čištění vždy zastavte motor.

BEZPEČNOSTNÍ PŘEDPISY



VÝSTRAHA! Dejte pozor na odmrštěné předměty. Vždy používejte ochranu očí. Nikdy se nenaklánějte nad krytem řezného vybavení. Kameny, smetí atd. se vám mohou dostat do očí a zavinit oslepnutí nebo vážné zranění.

Držte nepovolané osoby mimo pracovní plochu. Děti, zvířata, diváci a pomocníci se musí nacházet mimo bezpečnostní zónu 15 m od stroje. Jakmile se někdo blíží okamžitě stroj vypněte.

Převodovka se může během použití zahřát a může zůstat horká i po vypnutí stroje. Při kontaktu by mohlo dojít k popálení.

Bezpečnostní pokyny po ukončení práce

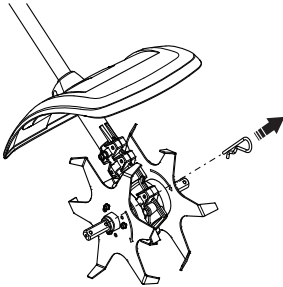


- Před čištěním, opravou nebo prohlídkou se přesvědčte, že se řezné vybavení zcela zastavilo. Vyměňte kabel zapalování ze svíčky.
- Při provádění oprav kultivátoru používejte odolné ochranné rukavice.
- Při opravách používejte pouze originální náhradní díly.
- Stroj přechovávejte mimo dosah dětí.

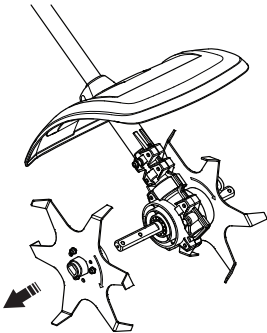
Výměna nožů



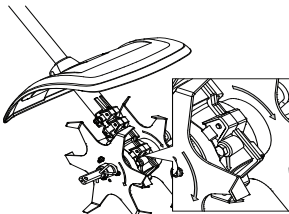
Uvolněte závlačku.



Demontujte sestavu kotoučů z výstupního hřídele skříně převodovky.



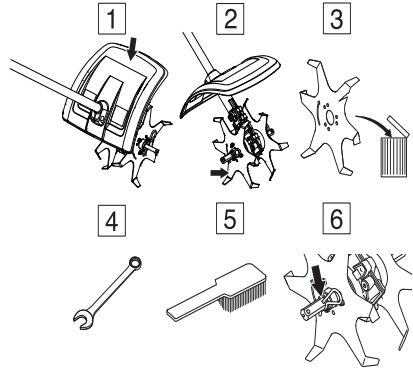
Namontujte sestavu kotoučů na výstupní hřídel skříně převodovky. Zkontrolujte, zda se shoduje směr otáčení kotoučů a převodovky. Šipka musí ukazovat stejným směrem.



Schema technické údržby

V následujících odstavcích najdete některé pokyny k provádění obecné údržby. Pokud potřebujete další informace, spojte se se servisem.

Denní údržba



- 1 Zkontrolujte, zda kryt není poškozen ani nemá trhlinky. Byl-li kryt vystaven úderu nebo má trhlinky je nutno jej vyměnit.
- 2 Zkontrolujte, zda se kotouč neotáčí, když motor běží na volnoběh.
- 3 Zkontrolujte, zda jsou radličky nepoškozené a zda nevykazují trhlinky nebo jiného poškození. V případě potřeby radličky vyměňte.
- 4 Přesvědčte se, zda jsou matice a šrouby utažené.
- 5 Očistěte stroj zvenku.
- 6 Zkontrolujte, zda pojistné závlačky a závlačky nejsou poškozené a jsou zajištěné.

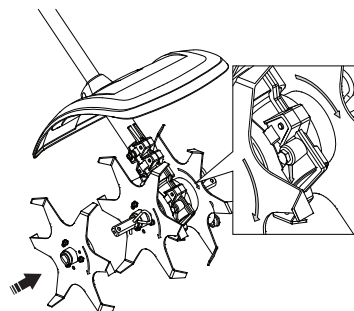
Přeprava a přechovávání

- Při eventuální přepravě na jiném vozidle používejte vždy schválené upínací zařízení a ujistěte se, zda je stroj řádně zajištěn.
- Před odstavením na delší dobu se ujistěte, že je stroj čistý a je zajištěn kompletním servisem.

Volitelné příslušenství

2 kotouče

Namontujte sestavu kotoučů na výstupní hřídel skříně převodovky. Zkontrolujte, zda se shoduje směr otáčení kotoučů a převodovky. Šipka musí ukazovat stejným směrem.



TECHNICKÉ ÚDAJE

Technické údaje

Technické údaje **CA230**

Hmotnost

Hmotnost, kg	2,9
2 kotouče	2,8
4 kotouče (příslušenství)	3,7

Rozměry, mm

2 kotouče	140
4 kotouče (příslušenství)	235

Emise hluku

(viz poznámka 1)

Hladina akustického výkonu, změřená dB(A)	105
Hladina akustického výkonu, zaručená L_{WA} dB(A)	109

Hladiny hluku

(viz poznámka 2)

Poměrná hladina tlaku zvuku u ucha uživatele, měřená dle EN ISO 22868, dB(A):

Vybaven schváleným příslušenstvím (originální)	92,4
------------------------------------------------	------

Vibrace

(viz poznámka 3)

Ekvivalentní hladiny vibrací ($a_{hw,eq}$) v rukojetích, měřené podle norem EN ISO 22867, v m/s^2

Vybaven schváleným příslušenstvím (originální), levé/pravé	4,2/6,1
------------------------------------------------------------	---------

Poznámka 1: Emise hluku do okolí naměřená jako efekt zvuku (L_{WA}) dle direktivy ES 2000/14/ES. Uváděná hladina akustického výkonu pro stroj byla měřena s originálním řezacím vybavením, které generuje nejvyšší hladinu. Rozdíl mezi garantovaným a měřeným akustickým výkonem je v tom, že garantovaný akustický výkon rovněž zahrnuje rozptyl výsledků měření a rozdíly mezi různými stroji téhož modelu podle Směrnice 2000/14/EC.

Poznámka 2: Uváděná data pro ekvivalentní hladinu akustického tlaku pro stroj mají typickou statistickou odchylku (standardní odchylku) 1 dB (A).

Poznámka 3: Uváděná data pro ekvivalentní hladinu vibrací mají typickou statistickou odchylku (standardní odchylku) 1 m/s^2 .

CA230		
Schválené příslušenství	Typ	Kryt
Kultivátor	4 nože	

ES Prohlášení o shodě (Platí pouze pro Evropu)

Společnost **Husqvarna AB**, SE-561 82 Huskvarna, Švédsko, tel.: +46-36-146500, prohlašuje, že nástavec s kultivátorem **Husqvarna/Jonsered CA230** je ve shodě s požadavky SMĚRNICE RADY:

- ze 17. května 2006 „týkající se strojních zařízení“ **2006/42/EC**.

Byly uplatněny následující standardní normy: ISO 11449:1994

Provedením nepovinné typové kontroly byl firmou Husqvarna AB pověřen SMP Svensk Maskinprovning AB, Box 7035, SE-750 07 Uppsala, Švédsko. Číslo certifikátů jsou: **SEC/14/2415**

Huskvarna, 20. dubna 2015



Per Gustafsson, ředitel vývoje (Autorizovaný zástupce společnosti Husqvarna AB a odpovědný za technickou dokumentaci.)

KLÚČ K SYMBOLOM

Symbols

VAROVANIE!

Ak sa kultivátor používa nesprávne alebo neopatrne, môže byť nebezpečný a môže zapríčiniť vážne až smrteľné zranenia obsluhu alebo iným osobám. Je nanajvýš dôležité, aby ste si prečítali a porozumeli obsahu tohto návodu na obsluhu.

Prosím, prečítajte si pozorne tento návod na obsluhu a presvedčte sa, či pokynom pred používaním stroja rozumiete.

Vždy majte na sebe:

- Schválené chrániče sluchu
- Ochranné okuliare alebo štít
- V prašnom prostredí by sa mala používať dýchacia maska.

Tento výrobok spĺňa platnú smernice EÚ.

Varovanie: Rotujúce ostrie.

Nepribližujte sa rukami ani nohami. Šípka znázorňuje smer rotácie.

Používateľ stroja musí počas jeho používania zaistiť, aby sa k stroju do vzdialenosti menšej ako 15 metrov nepriblížili žiadne osoby ani zvieratá.

Vždy používajte schválené ochranné rukavice.

Noste masívne neklzávajúce topánky.

Všetky časti tela udržiavajte mimo horúcich plôch.



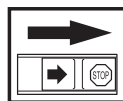
Dávajte pozor na vymrštené predmety a spätné nárazy.



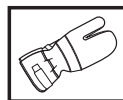
Hlukové emisie do okolia sú v súlade so smernicou Európskej únie. Emisie stroja sú stanovené v kapitole Technické údaje a na nálepke.

Ostatné symboly/emblémy na stroji odkazujú na zvláštne požiadavky certifikácie pre určité trhy

Vypnite motor posunutím vypínača do polohy STOP, predtým než budete vykonávať akékoľvek kontroly alebo údržbu.



Vždy používajte schválené ochranné rukavice.



Obsah

KLÚČ K SYMBOLOM

Symboly 152

OBSAH

Obsah 153

Pred naštartovaním dbajte na nasledovné: 153

ČO JE ČO?

Čo je čo na kultivačnom nástroji? 154

BEZPEČNOSTNY PRÍKAZ

Osobné ochranné prostriedky 155

Bezpečnostné vybavenie stroja 155

Všeobecné bezpečnostné opatrenia 157

Všeobecné pracovné pokyny 158

ÚDRŽBA

Výmena hrotov 160

Plán údržby 160

TECHNICKÉ ÚDAJE

Technické údaje 161

EÚ vyhlásenie o zhode 161

Pred naštartovaním dbajte na nasledovné:

Firma Husqvarna neustále vyvíja svoje výrobky a preto si vyhradzuje právo modifikovať dizajn a vzhľad výrobkov bez predchádzajúceho upozornenia.

Dlhodobé vystavenie hluku môže spôsobiť trvalé poškodenie sluchu. Vždy preto používajte schválené chrániče sluchu.

Prosím, prečítajte si pozorne tento návod na obsluhu a presvedčte sa, či pokynom pred používaním stroja rozumiete.

Tieto pokyny dopĺňajú pokyny, ktoré boli dodané so strojom. Ďalšie postupy nájdete v pokynoch na obsluhu stroja.



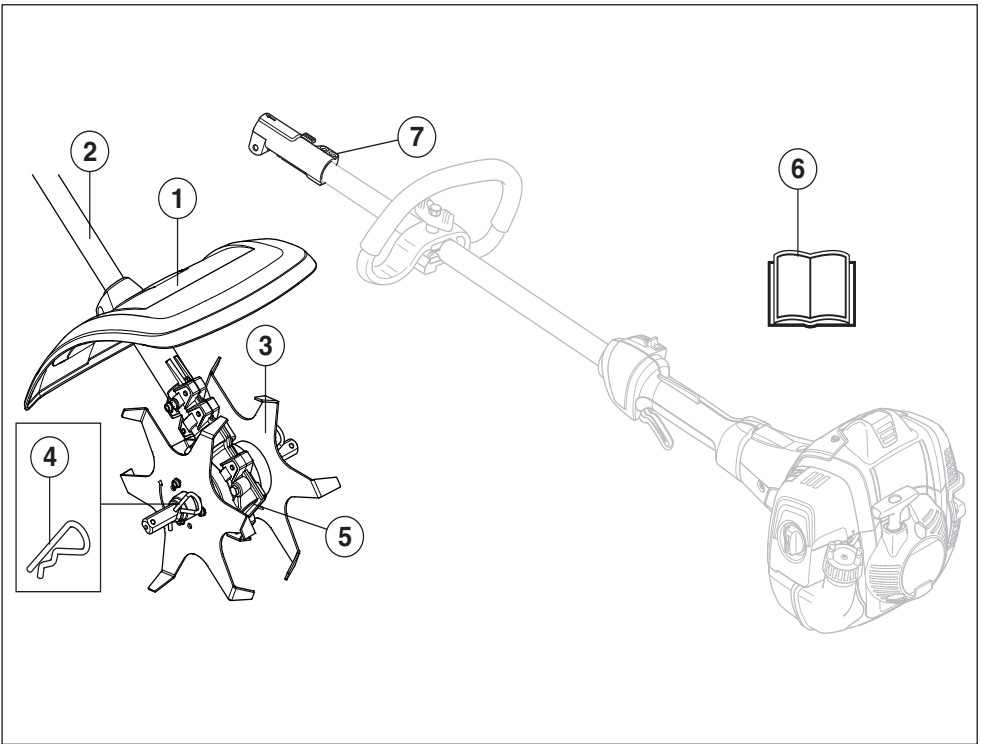
VAROVANIE! Za žiadnych okolností nemeňte pôvodnú konštrukciu stroja bez schválenia od výrobcu. Vždy používajte originálne náhradné diely. Nepovolené zmeny alebo príslušenstvo môžu viesť k vážnemu zraneniu alebo smrti obsluhy alebo ostatných osôb.



VAROVANIE! Toto príslušenstvo sa smie použiť výhradne s príslušnou čistiacou pílou/vyžínač, pozri časť "Schválené príslušenstvo" v kapitole Technické údaje v Operátorskej Priručke k stroju.

Stroj je určený len na kultiváciu.

ČO JE ČO?



Čo je čo na kultivačnom nástroji?

- | | |
|------------------|-------------------------------------------------|
| 1 Ochrana kotúča | 5 Skriňa prevodovky |
| 2 Hriadeľ | 6 Návod na obsluhu |
| 3 Kotúče | 7 Hriadeľová spojka (patrí k základnému stroju) |
| 4 Závažka | |

BEZPEČNOSTNY PRÍKAZ

Osobné ochranné prostriedky



VAROVANIE! Pri akomkoľvek používaní stroja musíte používať schválené osobné ochranné prostriedky. Osobné ochranné prostriedky nevyklúčujú riziko nehôd, ale môže znížiť účinky zranenia v prípade nehody. Pri výbere správnych ochranných prostriedkov sa poraďte so svojim predajcom. Prosím, prečítajte si pozorne tento návod na obsluhu a presvedčte sa, či pokynom pred používaním stroja rozumiete.



VAROVANIE! Ak nosíte chrániče sluchu, dávajte pozor na varovné signály alebo výkriky. Chrániče sluchu si skladajte vždy hneď ako motor zastane.

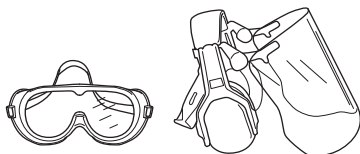
- V prípade potreby nosite rukavice.



- Nosite chrániče sluchu, ktoré zaručujú primeranú redukciu hluku.



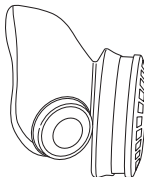
- Vždy nosite schválené chrániče očí. Ak nosíte štít, musíte tiež nosiť schválené ochranné okuliare. Schválené ochranné okuliare musia zodpovedať norme ANSI Z87.1 platnej v USA alebo norme EN 166 platnej v krajinách EÚ. Pri fúkaní odletujú časti vetiev alebo iné predmety, ktoré môžu poškodiť váš zrak.



- Nosite masívne nekĺzavé topánky.



- Vždy nosite pevné, dlhé nohavice, čizmy, rukavice a košeľu s dlhým rukávom. Aby sa znížilo nebezpečenstvo poranenia z dôvodu vťahnutia predmetov do rotujúcich častí, nenoste voľné oblečenie, šály, šperky atď. Vlasy si zopnite tak, aby boli nad úrovňou pliec.
- V prášnom prostredí by sa mala používať dýchacia maska.



- Majte vždy po ruke lekárničku.



Bezpečnostné vybavenie stroja

Táto časť vysvetľuje rôzne bezpečnostné funkcie stroja, ako fungujú a základnú inšpekciu a údržbu, ktoré by ste mali vykonávať na zabezpečenie bezpečnej prevádzky. Pozrite si časť Čo je čo?, kde nájdete umiestnenie týchto častí na stroji.

Ak údržbu stroja nevykonávate správnym spôsobom a servis alebo opravy nevykonáva profesionál, môže sa skrátiť životnosť stroja a zvýšiť riziko nehôd. Ak chcete získať viac informácií, kontaktujte najbližší autorizovaný servis.

DÔLEŽITÉ! Pri akomkoľvek používaní stroja musíte používať schválené osobné ochranné prostriedky. Osobné ochranné prostriedky nevyklúčujú riziko nehôd, ale môže znížiť účinky zranenia v prípade nehody. Pri výbere správnych ochranných prostriedkov sa poraďte so svojim predajcom.



VAROVANIE! Nikdy nepoužívajte stroj, ktorý má chybné bezpečnostné vybavenie! Vykonávajte inšpekčné, údržbové a servisné úlohy uvedené v tejto časti.

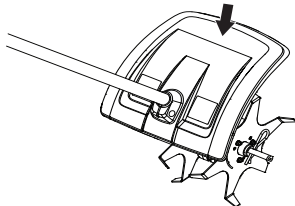
BEZPEČNOSTNY PRÍKAZ

Kryt rezacieho nástroja



Tento kryt je určený na ochranu obsluhu stroja pred odletujúcimi uvoľnenými predmetmi. Kryt zároveň chráni obsluhu pred náhodným kontaktom s rezacím nástrojom.

- Presvedčte sa, či kryt nie je poškodený alebo prasknutý.

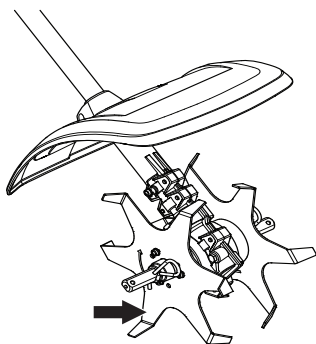


- Ak bol kryt vystavený úderom, alebo ak je prasknutý, potom sa musí vymeniť.

Rezacia časť



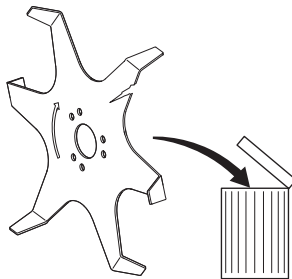
Hroty sú navrhnuté a vyrobené tak, aby vydržali zaťaženie, ktoré vzniká pri kultivácii.



Dve základné pravidlá:

- 1 Používajte len rezacie nástavce s odporúčanými ochrannými prvkami!

- 2 Skontrolujte rezací kotúč, či na ňom nie sú viditeľné známky poškodenia alebo trhliny. Poškodený rezací nástroj treba vždy vymeniť.



VAROVANIE! Pred prácou na akejkoľvek časti príslušenstva vždy vypnite motor. Môže sa ešte chvíľu pohybovať aj po uvoľnení plynu. Pred prácou s príslušenstvom zabezpečte, aby bol nástroj úplne zastavený, a odpojte vysokonapäťový kábel od zapalovacej sviečky.



VAROVANIE! Nikdy nepoužívajte stroj, ktorý má chybné bezpečnostné súčasti. Bezpečnostné vybavenie stroja sa musí kontrolovať a udržiavať tak, ako je to popísané v tejto časti. Ak stroj neprejde všetkými kontrolami, doneste ho do autorizovaného servisu na opravu.

BEZPEČNOSTNY PRÍKAZ

Všeobecné bezpečnostné opatrenia

DÔLEŽITÉ!

Stroj používajte len na účel, na ktorý je určený. Stroj je určený len na kultiváciu.

Nikdy nepoužívajte stroj pri únave, po požití alkoholu alebo liekov, pretože to môže viesť k zníženiu zrakovej schopnosti, schopnosti usudzovania, alebo telesnej rovnováhy.

Vždy noste vhodný ochranný odev. Pozrite pokyny v rámci kapitoly Osobné ochranné prostriedky.

Nikdy nepoužívajte stroj na ktorá boli vykonané úpravy a nezohoduje sa s originálnym prevedením.

Nikdy nepoužívajte stroj za nepriaznivého počasia, napríklad pri veľkom mraze, vo veľmi horúcom alebo vlhkom podnebí.

Nikdy nepoužívajte poškodené zariadenie. Vykonávajte bezpečnostné kontroly, údržby a dodržiavajte servisné pokyny uvedené v tomto návode. Určité opatrenia týkajúce sa servisu a údržby zariadenia musia vykonávať iba odborníci. Pozrite si pokyny v časti Údržba.



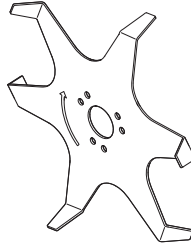
VAROVANIE! Chybné kotúče môžu zvýšiť riziko nehôd.

- Stroj nikdy nesmú používať deti.
- Zaisťte, aby sa počas práce nikto nepriblížil do vzdialenosti menšej ako 15 m.
- Nikdy nedovoľte používať stroj inej osobe bez toho, aby ste sa najprv nepresvedčili, že táto porozumela obsahu operátorskej príručky.
- Kultivovanie vykonávajte iba za denného svetla alebo pri dobrom osvetlení.

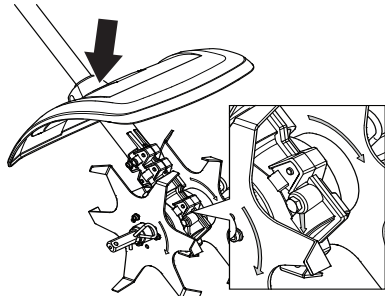
Bezpečnostné pokyny pred začatím práce

- Skontrolujte pracovnú oblasť. Odstráňte všetky voľné predmety ako napríklad kamene, rozbité sklo, klince, oceľové drôty, šnúry a podobne, ktoré by mohli od ostria alebo krytu ostria odletieť alebo ktoré by sa mohli naň namotať.
- Neoprávnené osoby udržiavajte v bezpečnej vzdialenosti. Deti, zvieratá, diváci a pomocníci sa musia zdržiavať mimo bezpečnostnej zóny 15 m. Ak sa niekto priblíži bližšie, musíte stroj ihneď zastaviť.
- Skôr ako začnete, skontrolujte celý stroj. Vymeňte poškodené súčiastky. Skontrolujte, či neuniká palivo a či sú všetky bezpečnostné prvky a kryty nepoškodené a bezpečne pripevnené. Skontrolujte všetky matice a skrutky.

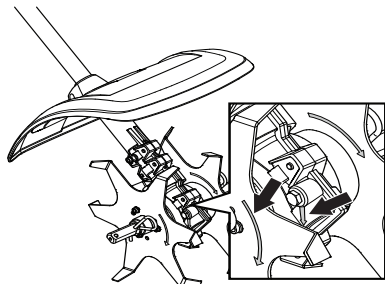
- Skontrolujte, či hroty nie sú poškodené a či nevykazujú žiadne známky popraskania alebo iného poškodenia. Ak je to nutné, hroty vymeňte.



- Skontrolujte, či je kryt ostria namontovaný a nepoškodený.



- Skontrolujte, či sú hroty a ochranný kryt správne pripavené. Smer otáčania na rezných kotúčoch a na prevode musí byť rovnaký. Šípky musia ukazovať rovnakým smerom.



- Skontrolujte, či pri chode motora na voľnobeh sa nože neotáčajú.
- Skontrolujte, či sú rukoväť a bezpečnostné prvky stroja v poriadku. Nikdy nepoužívajte stroj, na ktorom chýbajú súčiastky alebo bol v porovnaní so špecifikáciami zmenený.
- Stroj používajte len na účel, na ktorý je určený.

Pri štartovaní za studena:

- Zahrejte základný stroj a potom ho vypnite.
- Namontujte príslušenstvo podľa pokynov na montáž.

BEZPECNOSTNY PRÍKAZ

Všeobecné pracovné pokyny

DÔLEŽITÉ!

V tejto časti sú uvedené základné bezpečnostné opatrenia týkajúce sa práce s kultivátorom.

Ak si nie ste istí, ako ďalej postupovať, obráťte sa na odborníka. Kontaktujte svojho predajcu alebo servisnú dielňu.

Vývarujte sa každému použitiu stroja, ktoré podľa vás presahuje vaše možnosti.

Základné bezpečnostné pravidlá



Pozrite sa okolo seba:

- aby ste sa presvedčili, či ľudia, zvieratá alebo ostatné veci nemôžu ovplyvniť vaše ovládanie stroja.
 - Treba zabezpečiť, aby ľudia, zvieratá, atď. nemohli prísť do kontaktu s rezacími nástrojmi ani s voľnými telesami odletujúcimi od rezacích nástrojov.
 - **NEZABUDNITE!** Stroj smiete používať len v takom prípade, keď ste schopní privolať pomoc v prípade nehody.
- 1 Nepoužívajte stroj v nepriaznivých podmienkach, ako sú hustá hmla, silný dážď a vietor, krutá zima a podobne. Práca pri zlom počasi je únavná a môže viesť k nebezpečným podmienkam, napr. klzkým povrchom.
 - 2 Presvedčte sa, že dobre a pevne stojíte. Skontrolujte, či okolo vás nie sú prekážky (korene, skaly, vetvy, jamy a podobne) pre prípad, že by ste sa museli náhle pohnúť. Dávajte si pozor pri práci na svahu.



- 3 Motor sa musí pred premiestňovaním stroja vypnúť.
- 4 Nikdy neukladajte stroj v chode na zem, ak ho nemáte neustále pod dobrým dohľadom.
- 5 Rezací nástroj musí pri práci smerovať od používateľa. Nikdy nepracujte s nástrojom smerom k používateľovi, pretože to môže spôsobiť vážne poranenie.

Základné pracovné techniky



- Vždy zabezpečte, aby ste mali bezpečný a stabilný pracovný postoj.
- Stroj držte vždy oboma rukami. Stroj držte napravo od tela.



- Zaisťte, aby sa za chodu motora ruky a nohy nepriblížili k ostriu.



- Vždy držte hroty blízko pri zemi.
- Po každej pracovnej operácii vždy prepnite motor na voľnobeh. Dlhý čas prevádzky na plný plyn bez zaťaženia motora (t. j. bez odporu, ktorým na motor pôsobí rezací nástroj počas používania stroja) môžu spôsobiť vážne poškodenie motora.
- Dávajte zvýšený pozor, keď počas práce ťaháte kultivátor smerom k sebe.
- Ak sa vyskytnú silné vibrácie, vypnite stroj. Odpojte kábel vysokého napätia od zapalovacej sviečky. Skontrolujte, či stroj nie je poškodený. Akékoľvek poškodenie opravte.



VAROVANIE! Medzi hroty sa občas môže zachytiť tráva alebo kamene. Pred čistením vždy vypnite motor.

BEZPEČNOSTNY PRÍKAZ



VAROVANIE! Dávajte pozor na odletujúce telesá. Vždy noste chrániče očí. Nikdy sa nenakláňajte ponad kryt rezacieho nástroja. Kamene, úlomky, atď. môžu vyletieť do očí a zapríčiniť slepotu alebo vážne poranenie.

Neoprávnené osoby udržiavajte v bezpečnej vzdialenosti. Deti, zvieratá, diváci a pomocníci sa musia zdržiavať v bezpečnej vzdialenosti najmenej 15 m. Ak sa niekto priblíži bližšie, musíte stroj ihneď zastaviť.

Prevod sa počas prevádzky môže zahriať a môže aj po použití zostať ešte chvíľu horúci. V prípade dotyku by ste sa mohli popáliť.

Bezpečnostné pokyny po dokončení práce

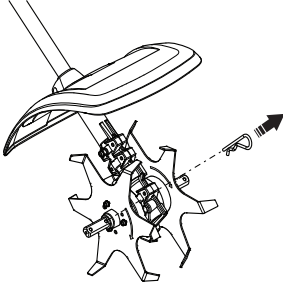


- Pred čistením, vykonávaním opráv alebo kontroly skontrolujte, či rezný nástavec zastal. Odpojte kábel vysokého napätia zo zapalovacej sviečky.
- Na opravu kultivátora používajte vysokoodolné rukavice.
- Pri opravách používajte iba originálne náhradné diely.
- Stroj skladujte mimo dosahu detí.

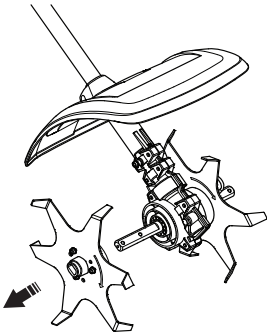
Výmena hrotov



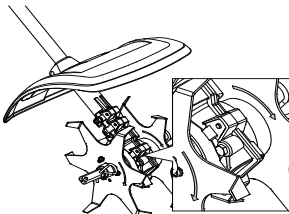
Uvoľníte závlačku.



Zložíte blok rezného kotúča z výstupnej osi skrine prevodovky.



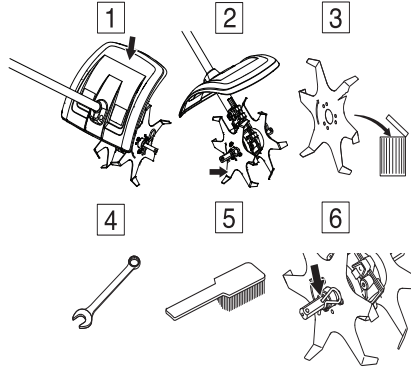
Namontujte blok rezného kotúča na výstupný hriadeľ skrine prevodovky. Smer otáčania na rezných kotúčoch a na prevode musí byť rovnaký. Šípky musia ukazovať rovnakým smerom.



Plán údržby

Dole nájdete niektoré všeobecné pokyny ohľadom údržby. Ak chcete získať viac informácií, kontaktujte najbližšiu servisnú dielňu.

Denná údržba



- 1 Skontrolujte, či kryt nie je poškodený alebo prasknutý. Ak bol kryt vystavený úderom, alebo ak je prasknutý, potom sa musí vymeniť.
- 2 Skontrolujte, či pri chode motora na voľnobeh sa nože neotáčajú.
- 3 Skontrolujte, či hroty nie sú poškodené a či nevykazujú žiadne známky popraskania alebo iného poškodenia. Ak je to nutné, hroty vymeňte.
- 4 Skontrolujte, či sú matice a skrutky dotiahnuté.
- 5 Vyčistite vonkajšok stroja.
- 6 Skontrolujte, či sú závlačky a klinové čapy nepoškodené a správne zaistené.

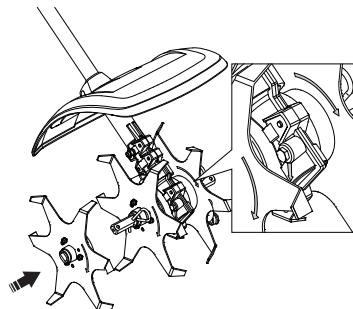
Preprava a uchovávanie

- Ak prepravujete stroj na inom vozidle, vždy používajte schválené zabezpečovacie zariadenia a ubezpečte sa, že stroj je bezpečne upevnený.
- Pred dlhodobým skladovaním vykonajte kompletný servis a vyčistite stroj.

Voliteľné príslušenstvo

2 x kotúče

Namontujte blok rezného kotúča na výstupný hriadeľ skrine prevodovky. Smer otáčania na rezných kotúčoch a na prevode musí byť rovnaký. Šípky musia ukazovať rovnakým smerom.



TECHNICKÉ ÚDAJE

Technické údaje

Technické údaje **CA230**

Hmotnosť

Hmotnosť, Lbs/kg	2,9
2 x kotúče	2,8
4 x kotúče (príslušenstvo)	3,7

Rozmery, mm

2 x kotúče	140
4 x kotúče (príslušenstvo)	235

Emisie hluku

(pozri poznámku 1)

Hladina akustického výkonu, meraná v dB(A)	105
Hladina akustického výkonu, garantovaná L_{WA} dB(A)	109

Hladiny hluku

(viď poznámka 2)

Ekvivalentná hladina akustického tlaku pri uchu používateľa meraná podľa normy EN ISO 22868, dB(A):

Vybavený schváleným príslušenstvom (originál)	92,4
-----------------------------------------------	------

Vibrácie

(viď poznámka 3)

Ekvivalentná hladina vibrácií ($a_{hv,eq}$) na rukovätiach, meraná podľa normy EN ISO 22867, m/s^2 .

Vybavený schváleným príslušenstvom (originál), vľavo/vpravo	4,2/6,1
-------------------------------------------------------------	---------

Poznámka 1: Emisie hluku do okolia sa merajú ako akustický výkon (L_{WA}) v súlade so smernicou EÚ 2000/14/ES. Uvádzaná hladina akustického výkonu pre stroj bola meraná s originálnym rezacím nástrojom, ktorý produkuje najvyššiu úroveň. Rozdiel medzi zaručeným a nameraným akustickým výkonom je, že zaručený akustický výkon zahŕňa aj rozptyl výsledkov merania a rozdiely medzi jednotlivými strojmi rovnakého modelu v súlade so smernicou 2000/14/ES.

Poznámka 2: Uvádzané údaje pre ekvivalentnú hladinu akustického tlaku majú typický štatistický rozptyl (štandardnú odchýlku) 1 dB (A).

Poznámka 3: Uvádzané údaje pre ekvivalentnú hladinu vibrácií majú typický štatistický rozptyl (štandardnú odchýlku) 1 m/s^2 .

CA230		
Schválené príslušenstvo	Typ	Kryt
Rezací zub kultivátora	4x nože	

EÚ vyhlásenie o zhode (Uplatňuje sa iba na Európu)

My, spoločnosť **Husqvarna AB**, SE-561 82 Huskvarna, Sweden, tel: +46-36-146500, vyhlasujeme, že nastavec kultivátora **Husqvarna/Jonsered CA230** je v súlade s požiadavkami SMERNICE RADY:

- zo 17. mája 2006, „Smernica o strojoch“ **2006/42/EÚ**.

Bolí uplatnené nasledovné normy: ISO 11449:1994

SMP Svensk Maskinprovning AB, Box 7035, SE-750 07 Uppsala, Švédsko, vykonal dobrovoľnú typovú skúšku pre Husqvarna AB. Certifikáty majú čísla: **SEC/14/2415**

Huskvarna, 20 apríl 2015

Per Gustafsson, Development manager

(Oprávnený zástupca spoločnosti Husqvarna AB a zodpovedný za technickú dokumentáciu.)

ZNACZENIE SYMBOLI

Symbole

OSTRZEŻENIE!

W razie nieważnego lub nieprawidłowego posługiwania się kultywátorem może on stać się niebezpiecznym narzędziem, mogącym spowodować obrażenia lub śmierć użytkownika lub innych osób. Bardzo ważne jest przeczytanie i zrozumienie niniejszej instrukcji obsługi.

Przed przystąpieniem do pracy maszyną prosimy dokładnie i ze zrozumieniem zapoznać się z treścią niniejszej instrukcji.

Zawsze należy stosować:

- Zatwierdzone ochronniki słuchu
- Okulary ochronne lub siatka ochronna na twarz
- Ponieważ istnieje ryzyko powstawania kurzu, należy stosować środki ochrony dróg oddechowych.

Niniejszy produkt zgodny jest z obowiązującymi dyrektywami CE.

Uważaj na wirujące noże. Chroń ręce i nogi przed okaleczeniem. Strzałka pokazuje kierunek obrotów.

W czasie pracy użytkownik maszyny jest zobowiązany dopilnować, aby żadne osoby ani zwierzęta nie znajdował się bliżej niż w odległości 15 m.

Zawsze używaj zatwierdzonych rękawic ochronnych.

Używaj przeciwpoślizgowego, stabilnego obuwia wysokiego.

Trzymaj wszystkie części ciała z dala od powierzchni gorących.



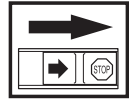
Ostrzeżenie przed odrzucaniami i rykoszetującymi przedmiotami.



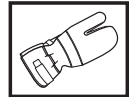
Emisja hałasu do otoczenia zgodna z dyrektywą Wspólnoty Europejskiej. Wartość emisji dla maszyny podana została w rozdziale Dane techniczne oraz na naklejce.

Pozostałe symbole/naklejki samoprzylepne umieszczone na maszynie dotyczą specjalnych wymogów, związanych z certyfikatami w poszczególnych krajach.

Przegląd lub/oraz konserwację wolno wykonywać tylko przy wyłączonym silniku, gdy wyłącznik znajduje się w położeniu STOP.



Zawsze używaj zatwierdzonych rękawic ochronnych.



SPIS TREŚCI

Spis treści

ZNACZENIE SYMBOLI

Symbol 162

SPIS TREŚCI

Spis treści 163

Przystępując do uruchomienia należy pamiętać o przestrzeganiu następujących zasad: 163

OPIS URZĄDZENIA

Opis zespołów kultywatora 164

ZASADY BEZPIECZEŃSTWA

Środki ochrony osobistej 165

Zespoły zabezpieczające maszynę 165

Ogólne zasady bezpieczeństwa 167

Ogólne zasady pracy maszyną 168

KONSERWACJA

Wymiana noży 170

Plan konserwacji 170

DANE TECHNICZNE

Dane techniczne 171

Deklaracja zgodności WE 171

Przystępując do uruchomienia należy pamiętać o przestrzeganiu następujących zasad:

Husqvarna AB nieustannie modernizuje swoje wyroby, w związku z czym zastrzega sobie prawo do wprowadzania zmian dotyczących m.in. wyglądu produktów bez uprzedzenia.

Długotrwałe przebywanie w hałasie może doprowadzić do trwałej utraty słuchu. Dlatego należy zawsze stosować atestowane ochronniki słuchu.

Przed przystąpieniem do pracy maszyną prosimy dokładnie i ze zrozumieniem zapoznać się z treścią niniejszej instrukcji.

Niniejsza instrukcja jest uzupełnieniem instrukcji obsługi załączonej do maszyny. Odnośnie nie omówionych poniżej czynności eksploatacyjno-obslugowych patrz instrukcja obsługi maszyny.



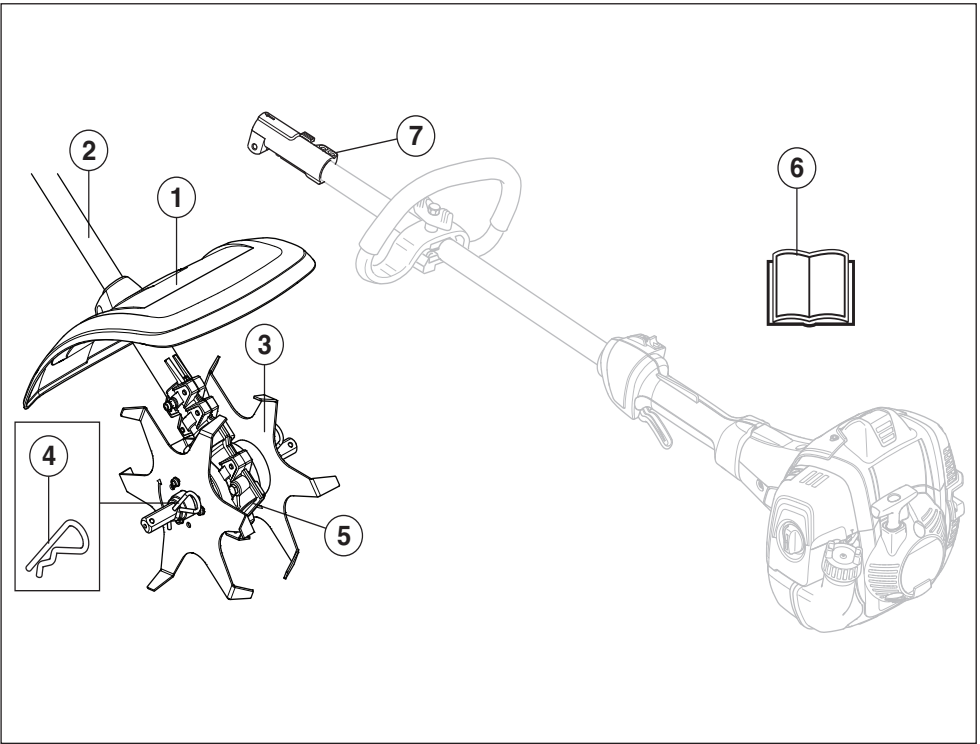
OSTRZEŻENIE! Pod żadym pozorem nie wolno zmieniać ani modyfikować fabrycznej konstrukcji maszyny bez zezwolenia wydanego przez producenta. Zawsze należy używać wyłącznie oryginalnych części zamiennych. Samowolne wprowadzanie zmian oraz/ lub montowanie wyposażenia nie zatwierdzonego przez producenta może stać się przyczyną groźnych obrażeń lub śmierci obsługującego urządzenie bądź innych osób.



OSTRZEŻENIE! To urządzenie może być używane wyłącznie do tych typów wykaszarek, do których jest przeznaczone. Patrz instrukcja obsługi maszyny, rozdział „Dane techniczne” pod rubryką „Zatwierdzone akcesoria”.

Maszyna przeznaczona jest wyłącznie do kultyworowania.

OPIS URZĄDZENIA



Opis zespołów kultywatora

- | | | | |
|---|-------------|---|-------------------------------------------------------|
| 1 | Osłona noża | 5 | Obudowa przekładni |
| 2 | Wysięgnik | 6 | Instrukcja obsługi |
| 3 | Noże | 7 | Złącze wysięgnika (stanowi część maszyny zasadniczej) |
| 4 | Zawleczka | | |

ZASADY BEZPIECZEŃSTWA

Środki ochrony osobistej



OSTRZEŻENIE! Podczas używania maszyny należy zawsze mieć na sobie zatwierdzone przez odpowiednie władze środki ochrony osobistej. Środki ochrony osobistej nie eliminują ryzyka odniesienia obrażeń, natomiast ograniczają ich rozmiar w razie zaistnienia wypadku. Poproś swojego dealera o pomoc w wyborze środków ochrony osobistej. Przed przystąpieniem do pracy maszyną prosimy dokładnie i ze zrozumieniem zapoznać się z treścią niniejszej instrukcji.

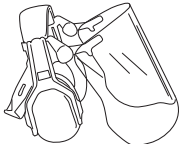


OSTRZEŻENIE! Mając założone ochronniki słuchu należy zawsze być szczególnie uważnym na sygnały i zawaolania ostrzegawcze. Zdejmuj ochronniki słuchu zaraz po wyłączeniu silnika.

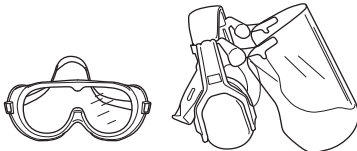
- Rękawice należy używać wtedy, kiedy to jest konieczne.



- Należy stosować ochronnik słuchu o wystarczających właściwościach tłumiących.



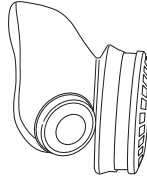
- Należy zawsze używać zatwierdzonych osłon oczu. Używając maski ochronnej twarzy, należy mieć na sobie także zatwierdzone okulary ochronne. Za zatwierdzone okulary ochronne uważane są takie, które są zgodne z normami ANSI Z87.1 dla USA lub EN 166 dla krajów UE. Uderzenie naprężoną gałęzią lub odrzuconym przez maszynę przedmiotem może doprowadzić do obrażeń oczu.



- Używaj przeciwpoślizgowego, stabilnego obuwia wysokiego.



- Należy zawsze nosić mocne, długie spodnie, buty, rękawice oraz koszulę z długim rękawem. Aby zmniejszyć ryzyko odniesienia obrażeń na skutek wciągnięcia obiektów pomiędzy obracające się części, nie należy nosić luźnej odzieży, szali, biżuterii itp. Włosy należy zabezpieczyć tak, by znajdowały się powyżej linii ramion.
- Ponieważ istnieje ryzyko powstawania kurzu, należy stosować środki ochrony dróg oddechowych.



- Apteczka pierwszej pomocy powinna znajdować się zawsze w pobliżu.



Zespoły zabezpieczające maszyny

W niniejszym rozdziale przedstawiono poszczególne zespoły zabezpieczające maszyny, omówiono ich funkcję oraz sposoby ich kontrolowania i konserwacji w celu zapewnienia prawidłowego działania. Patrz rozdział Co jest co?, aby zapoznać się z rozmieszczeniem tych zespołów w pilarcze.

Jeżeli maszyna nie jest prawidłowo konserwowana i nie jest poddawana profesjonalnie wykonywanym naprawom oraz/lub obsłudze technicznej, jej okres użytkowy jest krótszy oraz większe jest ryzyko wypadków. Jeżeli potrzebujesz więcej informacji, skontaktuj się z najbliższym warsztatem serwisowym.

WAŻNE! Podczas używania maszyny należy zawsze mieć na sobie zatwierdzone przez odpowiednie władze środki ochrony osobistej. Środki ochrony osobistej nie eliminują ryzyka odniesienia obrażeń, natomiast ograniczają ich rozmiar w razie zaistnienia wypadku. Poproś swojego dealera o pomoc w wyborze środków ochrony osobistej.



OSTRZEŻENIE! Nie wolno używać maszyny z niesprawnymi zespołami zabezpieczającymi. Stosuj się do podanych w niniejszym rozdziale instrukcji dotyczących kontroli, konserwacji i obsługi.

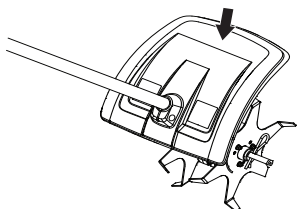
ZASADY BEZPIECZEŃSTWA

Oslona osprzętu tnącego



Zadaniem osłony jest ochrona użytkownika przed odłamkami wyrzucanymi przez wirujący mechanizm tnący. Osłona zabezpiecza również użytkownika przed dotknięciem do osprzętu tnącego.

- Sprawdź, czy osłona nie jest uszkodzona i czy nie ma śladów pęknięcia.

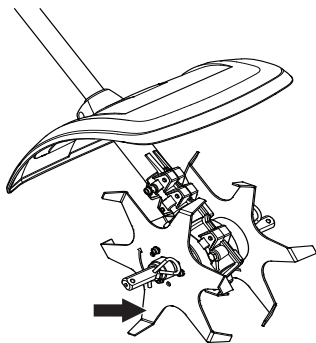


- Wymień osłonę, która została uderzona lub jest pęknięta.

Osprzęt tnący



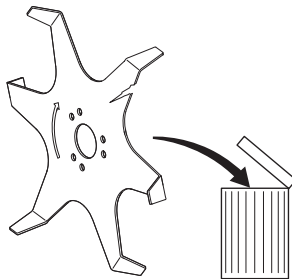
Noże narzędzia spulchniającego są tak skonstruowane i obrobione, by wytrzymywały obciążenia występujące podczas kultywatorowania.



Dwie podstawowe zasady:

- 1 Korzystaj wyłącznie z osprzętu tnącego wraz z zalecanymi przez nas osłonami!

- 2 Skontroluj, czy narzędzia tnące nie są uszkodzone bądź pęknięte. Uszkodzone narzędzia tnące należy wymienić na nowe.



OSTRZEŻENIE! Należy zawsze zatrzymać silnik przed rozpoczęciem pracy nad którąkolwiek częścią akcesorium. Jego elementy mogą się poruszać nawet po zwolnieniu przepustnicy. Przed rozpoczęciem pracy nad akcesorium należy upewnić się, że zatrzymało się ono całkowicie oraz odłączyć przewody wysokiego napięcia od świecy zapłonowej.



OSTRZEŻENIE! Nigdy nie używaj maszyny z uszkodzonymi zespołami zabezpieczającymi. Zespoły zabezpieczające maszyny należy kontrolować i konserwować zgodnie z opisem w niniejszym rozdziale. Jeżeli Twoja maszyna nie spełnia jakiegokolwiek z warunków kontrolnych, należy ją oddać do serwisu.

ZASADY BEZPIECZEŃSTWA

Ogólne zasady bezpieczeństwa

WAŻNE!

Używaj maszyny tylko zgodnie z jej przeznaczeniem. Maszyna przeznaczona jest wyłącznie do kultywatorowania.

Nie wolno pracować maszyną w stanie przemęczenia, po spożyciu alkoholu lub po przyjęciu leków osłabiających wzrok, zdolność oceny i koordynację.

Stosuj środki ochrony osobistej. Patrz wskazówki podane pod rubryką Środki ochrony osobistej.

Nie wolno pracować maszyną przerobioną, odbiegającą od oryginału.

Nigdy nie używaj maszyny w ekstremalnych warunkach pogodowych i klimatycznych, np. przy bardzo dużym mrozie lub w bardzo gorącym lub/oraz wilgotnym klimacie.

Nie wolno używać maszyny, jeśli jest ona uszkodzona. Stosuj się do zaleceń dotyczących bezpieczeństwa, konserwacji i obsługi technicznej podanych w niniejszej instrukcji. Niektóre czynności konserwacyjne i serwisowe muszą być wykonywane przez przeszkolony i wykwalifikowany personel. Patrz wskazówki w części zatytułowanej "Konserwacja".



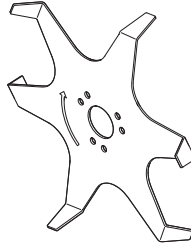
OSTRZEŻENIE! Uszkodzone lub nieodpowiednie noże zwiększają ryzyko wypadków przy pracy.

- Nigdy nie pozwalaj używać maszyny dzieciom.
- Dopilnuj, aby podczas pracy nikt nie zbliżał się na odległość mniejszą niż 15 m.
- Nigdy nie pozwalaj używać maszyny innej osobie nie upewniwszy się, że przyswoiła sobie ona treść Instrukcji obsługi.
- Kultywacja powinna odbywać się tylko przy świetle dziennym lub przy dobrym oświetleniu.

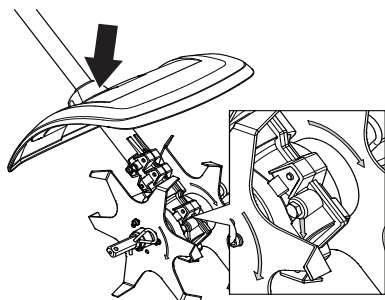
Instrukcje bezpieczeństwa przed uruchomieniem

- Zbadaj teren pracy. Usuń wszystkie luźne przedmioty, jak kamienie, odłamki szkła, gwoździe, stalowy drut, sznury itp., które mogą zostać odrzucone bądź zaczepić się o nóż lub osłonę noża.
- Nie pozwól osobom nieupoważnionym przebywać w pobliżu. Dzieci, zwierzęta i obserwatorzy muszą znajdować się poza strefą zagrożenia, w bezpiecznej odległości, nie mniejszej niż 15 m. Wyłącz natychmiast maszynę, gdy ktoś się zbliża.
- Sprawdź całą maszynę przed uruchomieniem. Sprawdź, czy nie wycieka paliwo i czy wszystkie osłony i pokrywy są całe oraz dobrze zamocowane. Sprawdź wszystkie śruby i nakrętki.

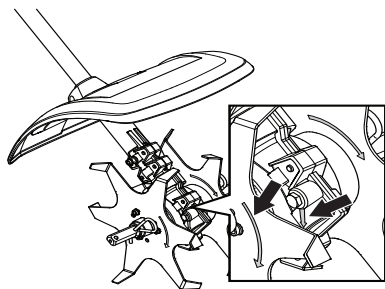
- Sprawdź, czy noże nie są uszkodzone i czy nie ma na nich śladów pęknięć lub innych uszkodzeń. Wymień noże w razie potrzeby.



- Dopilnuj, aby osłona noża była zamontowana i nie uszkodzona.



- Sprawdź, czy noże i osłona noży są dobrze zamocowane. Upewnij się, że kierunek obrotów jest zgodny ułożeniem tarczy tnących na przekładni. Strzałki muszą być skierowane w tę samą stronę.



- Sprawdź, czy noże nie poruszają się na biegu jałowym.
- Dopilnuj, aby uchwyt i funkcja zabezpieczająca były w porządku. Nigdy nie używaj maszyny, w której brakuje jakiejś części lub w której dokonano zmian wykraczających poza specyfikację.
- Używaj maszyny tylko zgodnie z jej przeznaczeniem.

Uruchamianie zimnego silnika:

- Przeprowadzić podstawowe uruchomienie maszyny, a następnie ją wyłączyć.
- Zamocować akcesorium zgodnie z instrukcją montażu.

ZASADY BEZPIECZEŃSTWA

Ogólne zasady pracy maszyną

WAŻNE!

W niniejszym rozdziale opisane zostały podstawowe zasady bezpieczeństwa obowiązujące podczas pracy kultywátorem.

Jeżeli znajdziesz się w sytuacji, w której nie jesteś pewny prawidłowości dalszego sposobu postępowania, zasięgnij porady eksperta. Zwróć się do swojego dealera lub warsztatu obsługi technicznej.

Nie podejmuj się pracy, gdy uważasz, że nie masz wystarczających kwalifikacji.

Podstawowe zasady bezpieczeństwa



Rozglądnij się, aby:

- Upewnij się, że w pobliżu nie znajdują się ludzie, zwierzęta lub przedmioty mogące mieć wpływ na sprawowanie przez Ciebie kontroli nad maszyną.
 - Aby zapewnić, że osoby postronne i zwierzęta nie ponoszą ryzyka zetknięcia się z osprzętem tnącym lub uderzenia przedmiotami odrzucanymi na odległość przez osprzęt tnący.
 - UWAGA! Nigdy nie używaj maszyny, jeśli nie masz możliwości wezwania pomocy w razie wypadku.
- 1 Nie należy używać maszyny w złych warunkach atmosferycznych. Np. w czasie gęstej mgły, dużych opadów, silnego wiatru, dużego mrozu itp. Praca przy złej pogodzie powoduje zmęczenie i wiąże się z dodatkowymi zagrożeniami, np. śliskie podłoże.
 - 2 Zapewnij sobie bezpieczne poruszanie i pozycję przy pracy. Przy poruszaniu się po powierzchni roboczej należy uważać na ewentualne przeszkody (korzenie, gałęzie, doły, rowy itp.). Szczególną ostrożność należy zachować podczas pracy na terenie pochy



- 3 Podczas przesuwania przekładni kątowej silnik musi być wyłączony.
- 4 Nigdy nie pozostawiaj maszyny z włączonym silnikiem bez nadzoru.

- 5 Podczas obsługi narzędzia tnącego należy utrzymywać je z dala od operatora. Nigdy nie należy odwracać narzędzia w kierunku operatora, gdyż może to wywołać poważne obrażenia.

Główne techniki pracy



- Zawsze należy dbać o to, aby mieć bezpieczną i pewną pozycję przy pracy.
- Trzymaj maszynę zawsze obiema rękami. Trzymaj maszynę po prawej stronie tułowia.



- Dopilnuj, aby ani ręce, ani nogi nie dotykały noża, gdy silnik jest uruchomiony.



- Zawsze trzymaj noże blisko ziemi.
- Zmniejsz obroty silnika do poziomu biegu jałowego po wykonaniu każdego określonego momentu pracy. Dłuższe pozostawianie na wysokich obrotach nieobciążonego silnika (tzn. bez obciążenia osprzętu tnącego jakie powstaje podczas pracy maszyną) może być przyczyną jego poważnych uszkodzeń.
- Zachowuj szczególną ostrożność, gdy podczas pracy przyciągasz kultywátor do siebie.
- W razie występowania dużych wibracji należy wyłączyć maszynę. Zdejmij kabal zapłonowy ze świecy zapłonowej. Sprawdź, czy maszyna nie jest uszkodzona. Napraw ewentualne uszkodzenia.

ZASADY BEZPIECZEŃSTWA



OSTRZEŻENIE! Czasami do noży przyczepia się trawa lub kamienie. Zawsze wyłączaj silnik przed przystąpieniem do czyszczenia.



OSTRZEŻENIE! Ostrzega się przed odrzucanymi przedmiotami. Używaj osłony chroniącej oczy. Nigdy nie nachylaj się nad osłoną osprzętu tnącego. Odrzucane kamienie, zanieczyszczenia itp. mogą trafić w oko i spowodować utratę wzroku lub poważne obrażenia.

Nie pozwól osobom nieupoważnionym przebywać w pobliżu. Dzieci, zwierzęta i obserwatorzy muszą znajdować się poza strefą zagrożenia, w bezpiecznej odległości, nie mniejszej niż 15 m. Wyłącz natychmiast maszynę, gdy ktoś się zbliża.

W czasie pracy przekładnia może rozgrzewać się do wysokiej temperatury, która może utrzymywać się na takim poziomie przez jakiś czas. Dotknięcie tego elementu grozi oparzeniem.

Instrukcje bezpieczeństwa po zakończeniu pracy

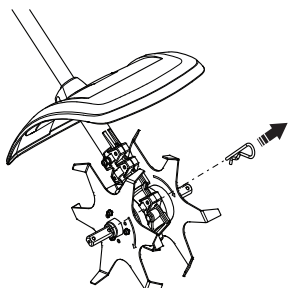


- Przed przystąpieniem do czyszczenia, naprawy lub przeglądu należy upewnić się, czy osprzęt tnący zatrzymał się. Zdejmij kabel zapłonowy ze świecy zapłonowej.
- Naprawy kultywatora dokonuj w grubych, mocnych rękawicach ochronnych.
- Do napraw używaj wyłącznie oryginalnych części zamiennych.
- Przechowuj maszynę w miejscu niedostępnym dla dzieci.

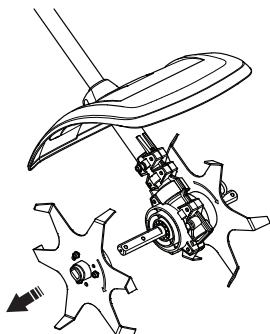
Wymiana noży



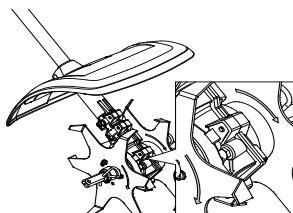
Połużuj zawleczkę.



Zdjąć zespół tarczy tnącej z wału wyjściowego obudowy przekładni.



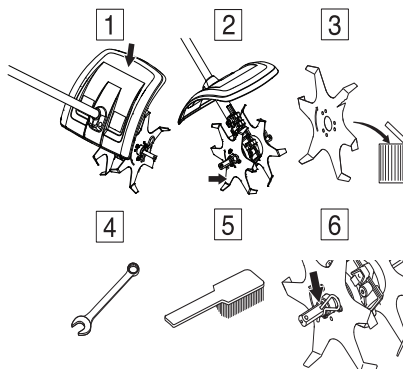
Zamontuj zespół tarczy tnącej na wałku zdawczym obudowy przekładni. Upewnij się, że kierunek obrotów jest zgodny ułożeniem tarczy tnących na przekładni. Strzałki muszą być skierowane w tę samą stronę.



Plan konserwacji

Poniżej podano kilka ogólnych zasad konserwacji. Jeśli potrzebujesz dodatkowych informacji, skontaktuj się z warsztatem obsługi technicznej.

Przegląd codzienny



- 1 Sprawdź, czy osłona nie jest uszkodzona i czy nie ma śladów pęknięcia. Wymień osłonę, która została uderzona lub jest pęknięta.
- 2 Sprawdź, czy noże nie poruszają się w biegu jałowym.
- 3 Sprawdź, czy noże nie są uszkodzone i czy nie ma na nich śladów pęknięć lub innych uszkodzeń. Wymień noże w razie potrzeby.
- 4 Sprawdź, czy śruby i nakrętki są dokręcone.
- 5 Oczyszczyć zewnętrzne powierzchnie maszyny.
- 6 Sprawdź, czy sworznie rozdzielające oraz zawlecзки są prawidłowo zabezpieczone oraz nie są uszkodzone.

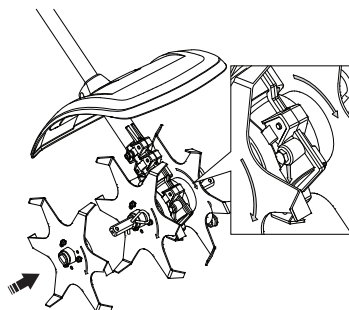
Transport i przechowywanie

- W przypadku transportu należy zawsze stosować zatwierdzone wyposażenie służące do zamocowania i zabezpieczenia maszyny. Należy dopilnować, aby była ona skutecznie zamocowana i zablokowana.
- Przed odstawieniem maszyny na dłuższe przechowanie należy ją dokładnie oczyścić i przeprowadzić kompletny serwis.

Akcesoria opcjonalne

2 ostrza tnące

Zamontuj zespół tarczy tnącej na wałku zdawczym obudowy przekładni. Upewnij się, że kierunek obrotów jest zgodny ułożeniem tarczy tnących na przekładni. Strzałki muszą być skierowane w tę samą stronę.



DANE TECHNICZNE

Dane techniczne

Dane techniczne **CA230**

Masa

Masa, kg:	2,9
2 ostrza tnące	2,8
4 ostrza tnące (akcesorium)	3,7

Wymiary, mm

2 ostrza tnące	140
4 ostrza tnące (akcesorium)	235

Emisje hałasu

(Patrz ad. 1)

Poziom mocy akustycznej, mierzony dB(A)	105
Poziom mocy akustycznej, gwarantowany L_{WA} dB(A)	109

Poziomy głośności

(patrz ad. 2)

Poziom ciśnienia akustycznego równoważny temu, na który narażony jest użytkownik maszyny, mierzony zgodnie z normami: EN ISO 22868, dB(A):

W zestawie zatwierdzone akcesorium (oryginalne)	92,4
-------------------------------------------------	------

Wibracje

(patrz ad. 3)

Równoważne poziomy drgań uchwytów ($a_{Hv,eq}$), został zmierzony zgodnie z normami: EN ISO 22867, m/s^2

W zestawie zatwierdzone akcesorium (oryginalne), lewa/prawa	4,2/6,1
-------------------------------------------------------------	---------

Uwaga 1: Emisję hałasu do otoczenia zmierzono jako moc akustyczną (L_{WA}), zgodnie z dyrektywą WE 2000/14/EG. Odnotowany poziom ciśnienia akustycznego dla maszyny został zmierzony z oryginalnym osprzętem tnącym, takim który daje najwyższy poziom hałasu. Różnica pomiędzy gwarantowanym a zmierzonym poziomem ciśnienia akustycznego wynika z tego, że poziom gwarantowany zawiera także rozproszenie w wynikach pomiaru oraz różnice pomiędzy różnymi typami maszyn tego samego modelu zgodnie z Dyrektywą 2000/14/EC.

Uwaga 2: Odnotowane dane dla równoważnego ciśnienia akustycznego maszyny mają typowe rozproszenie statystyczne (odchylenie standardowe) w wysokości 1 dB (A).

Uwaga 3: Odnotowane dane dla równoważnego poziomu wibracji mają typowe rozproszenie statystyczne (odchylenie standardowe) w wysokości 1 m/s^2 .

CA230		
Zatwierdzone akcesoria	Typ	Ośłona
Kultywator	4 noże	

Deklaracja zgodności WE (Dotyczy tylko Europy)

Firma **Husqvarna AB**, SE-561 82 Huskvarna, Szwecja, tel: +46-36-1 46500, oświadcza, że przystawka-kultywator **Husqvarna/Jonsered CA230** jest zgodna z następującymi DYREKTYWAMI RADY:

- dyrektywie maszynowej **2006/42/WE** z 17 dnia maja 2006 r.

Zastosowano następujące normy: ISO 11449:1994

Husqvarna AB dobrowolnie zleciła wykonanie prób homologacyjnych, które zostały przeprowadzone w SMP Svensk Maskinprovning AB, Box 7035, SE-750 07 Uppsala, Szwecja. Certyfikaty opatrzone są numerami: **SEC/14/2415**
Huskvarna, 20 kwietnia 2015 r.



Per Gustafsson, Szef ds. Rozwoju Produkcji
(Autoryzowany przedstawiciel Husqvarna AB oraz osoba odpowiedzialna za dokumentację techniczną.)

A SZIMBÓLUMOK MAGYARÁZATA

Egyezményes jelek

VIGYÁZAT!

A kultivátor helytelen vagy gondatlan használata komoly vagy halálos kimenetelű sérülésekhez vezethet a kezelő, illetve környezete számára. Rendkívül fontos, hogy elolvassa és megértse ezt a használati utasítást. Olvassa el figyelmesen a használati utasítást, és győződjön meg róla, hogy megértette azt, mielőtt a gépet használatba veszi.

Viseljen mindig:

- Jóváhagyott hallásvédőt
- Védőszemüveg vagy arcvédő maszk
- Por veszélye esetén porvédő maszkot kell viselni.

Ez a termék megfelel a CE-normák követelményeinek.

Figyelmeztetés: forgó kultivátorfogak.
A kéz- és lábsérülések elkerülése érdekében óvatosan járjon el. A forgásirányt nyíl jelzi.

A gép kezelője ügyeljen arra, hogy a munka során se ember, se állat ne jöjjön 15 m-nél közelebb a munkaterülethez.

Használjon mindig megfelelő védőkesztyűt.

Használjon stabil, nem csúszós csizmát.

Minden testrészét tartsa távol a forró felületektől.



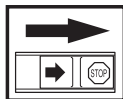
Legyen óvatos a kivetett és visszapatannó tárgyakkal.



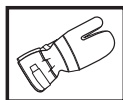
A környezet zajszenyezése az Európai Gazdasági Közösség direktívája szerint. A gép zajkibocsátása a Műszaki adatok című fejezetben és a címkén szerepel.

A gépen szereplő többi jel/címke egyes piacok specifikus vizsgáztatási követelményeire vonatkozik.

Ellenőrzést és/vagy karbantartást leállított motorral végezzen, a leállítógombbal STOP-állásban.



Használjon mindig megfelelő védőkesztyűt.



TARTALOMJEGYZÉK

Tartalomjegyzék

A SZIMBÓLUMOK MAGYARÁZATA

Egyezményes jelek 172

TARTALOMJEGYZÉK

Tartalomjegyzék 173

Indítás előtt a következőkre ügyeljen: 173

MI MICSODA?

A kultivátor alkatrészei 174

MUNKAVÉDELMI UTASÍTÁSOK

Személyi védőfelszerelés 175

A gép biztonsági felszerelése 175

Általános biztonsági intézkedések 177

Általános munkavédelmi utasítások 178

KARBANTARTÁS

Korongcsere 180

Karbantartási séma 180

MŰSZAKI ADATOK

Műszaki adatok 181

Termékazonosságai EGK-bizonyítvány 181

Indítás előtt a következőkre ügyeljen:

A Husqvarna AB folyamatosan dolgozik termékei továbbfejlesztésén, és ezért fenntartja a jogot arra, hogy többek között a termékek formáján és külsején előzetes tájékoztatás nélkül változtasson.

Hosszú távon a tartós zajártalom maradandó halláskárosodást okozhat. Ezért mindig használjon megfelelő zaj elleni fülvédőt.

Olvassa el figyelmesen a használati utasítást, és győződjön meg róla, hogy megértette azt, mielőtt a gépet használatba veszi.

Ez a használati utasítás egy kiegészítés a géphez mellékelt használati utasításhoz. Az egyéb részleteket illetően lásd a gép használati utasítását.



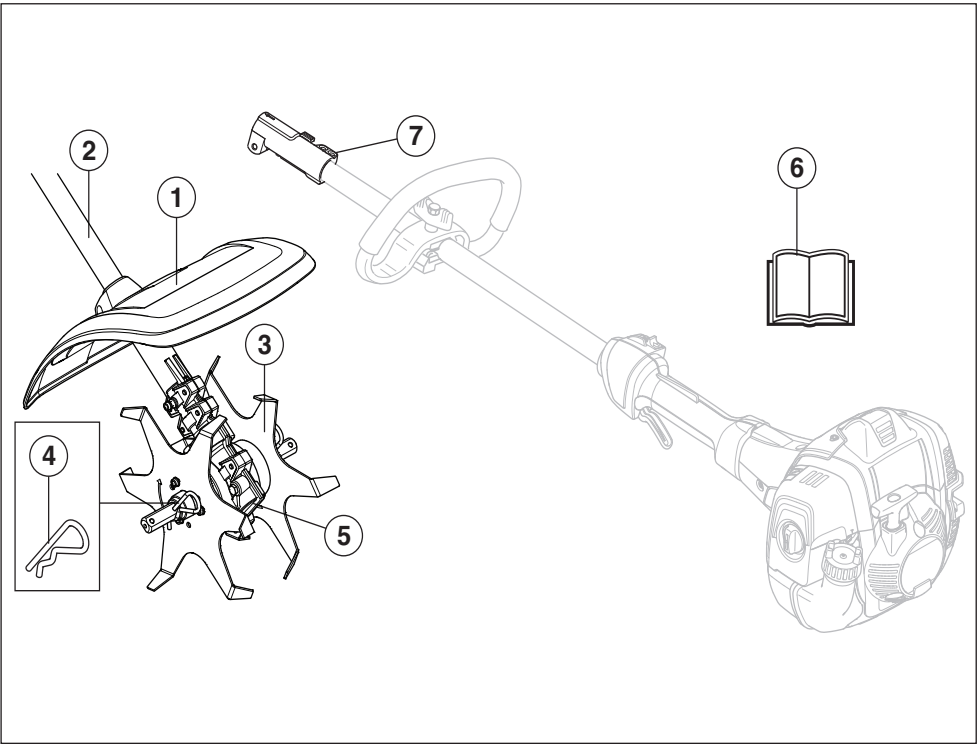
VIGYÁZAT! A gép eredeti kivitelezésén a gyártó cég engedélye nélkül semmilyen módosítást sem szabad végezni. Használjon mindig eredeti pótalkatrészeket. Nem engedélyezett módosítások és/vagy pótalkatrészek komoly sérülésekhez vagy halálos balesetekhez vezethetnek.



VIGYÁZAT! Ez az tartozék kizárólag a célnak megfelelő ritkítófűrészekkel/ trimmerekkkel együtt használható. Lásd a gép használati utasításában a "Műszaki adatok" című fejezetben a "Jóváhagyott tartozékok" cím alatt.

A gép kizárólag kultivátorozásra használható.

MI MICSODA?



A kultivátor alkatrészei

- | | | | |
|---|--------------|---|---------------------------------------|
| 1 | Pengevédő | 5 | Sebváltóház |
| 2 | Hajtógelycső | 6 | Használati utasítás |
| 3 | Pengék | 7 | Hajtógelycsukló (A gép alaptartozéka) |
| 4 | Sasszeg | | |

Személyi védőfelszerelés



VIGYÁZAT! Amikor a gépet használja, viseljen mindig jóváhagyott személyi biztonsági felszerelést. A személyi biztonsági felszerelés nem küszöböli ki a sérülések kockázatát, de csökkenti a sérülés mértékét, ha bekövetkezik a baleset. A megfelelő felszerelés kiválasztásához kérje kereskedő segítségét. Olvassa el figyelmesen a használati utasítást, és győződjön meg róla, hogy megértette azt, mielőtt a gépet használatba veszi.



VIGYÁZAT! Amikor fülvédőt visel, mindig figyeljen a figyelmeztető jelzésekre és hangokra. A motor leállítása után azonnal vegye le a fülvédőket

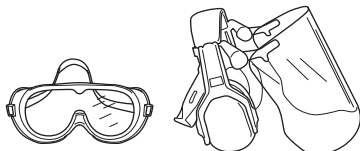
- Szükség esetén, például a vágófelszerelés összeszerelésénél.



- Használjon elegendő hangtompító hatással rendelkező fülvédőket.



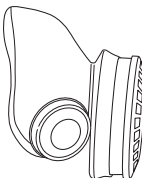
- Mindig viseljen jóváhagyott szemvédő felszerelést. Ha arcvédőt használ, jóváhagott védőszemüveget is kell viselnie. Jóváhagott védőszemüvegek azok, amelyek megfelelnek az ANSI Z87.1 (USA) illetve EN 166 (EU-országok) szabványoknak. Az elfújót ágak vagy egyéb részek szemsérülést okozhatnak.



- Használjon stabil, nem csúszós csizmát.



- Mindig erős anyagból készült hosszúnadrágot, kesztyűt és hosszú ujjú inget viseljen. A forgó részekbe kerülő tárgyak okozta sérülésveszély csökkentése érdekében ne viseljen bő ruházatot, sálát, ékszert stb. Haját váll fölött fogja össze.
- Por veszélye esetén porvédő maszkot kell viselni.



- Mindig legyen a közelben elsősegélykészlet.



A gép biztonsági felszerelése

Ez a fejezet elmagyarázza a gép különböző biztonsági felszereléseit, azok működését, valamint azt az ellenőrzést és karbantartást, amelyről a biztonságos használat érdekében gondoskodnia kell. Lásd a Mi kicsoda című fejezetet arról, hogy a különböző alkatrészek hol találhatóak meg a gépen.

Ha a gép karbantartását nem megfelelően végzik, illetve a javítási és szervizmunkálatokat nem képzett szakemberrel végeztetik el, a gép balesetveszélyessé válhat és várható élettartama is csökkenhet. További információért forduljon a legközelebbi szakszerviz munkatársaihoz.

FONTOS! Amikor a gépet használja, viseljen mindig jóváhagyott személyi biztonsági felszerelést. A személyi biztonsági felszerelés nem küszöböli ki a sérülések kockázatát, de csökkenti a sérülés mértékét, ha bekövetkezik a baleset. A megfelelő felszerelés kiválasztásához kérje kereskedő segítségét.



VIGYÁZAT! Soha ne használjon olyan gépet, amelynek hibás a biztonsági felszerelése. Végezze el az alább felsorolt ellenőrzési, karbantartási és szervizműveleteket.

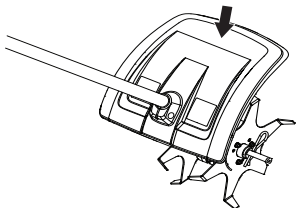
MUNKAVÉDELMI UTASÍTÁSOK

A vágófelszerelés védőrésze



Ez a védőegység védi a kezelőt a felcsapódó tárgyaktól. A védőegység azt is megakadályozza, hogy a kezelő a vágófelszereléshez érjen.

- Ellenőrizze, hogy a védőegység ép, és nincs rajta repedés.

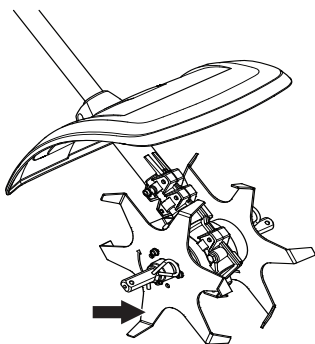


- Ha a védőegységet ütés érte vagy megrepedt, azonnal cserélje ki.

Vágószerkezet



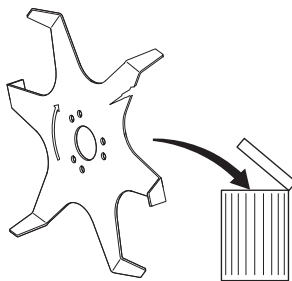
A kultivátorfogak kialakításuknak köszönhetően ellenállnak a kultivátorozás során fellépő erőhatásoknak.



A két fontos alapszabály:

- 1 A vágófelszerelést kizárólag az általunk ajánlott védelemmel használja.

- 2 Ellenőrizze, hogy a vágófelszerelés nem sérült-e, nincs-e rajta repedés. A sérült vágófelszerelést mindig ki kell cserélni.



VIGYÁZAT! Minden esetben állítsa le a gépet, mielőtt egy tartozékkal kezd dolgozni. Előfordulhat, hogy a gázadagoló kiengedése után még tovább jár. Győződjön meg arról, hogy a tartozék teljesen leállt, vegye le a vezetéket a gyújtógyertyáról, és csak azután kezdjen dolgozni rajta.



VIGYÁZAT! Soha ne használjon olyan gépet, amelynek hibás a biztonsági felszerelése. Végezze el a gép biztonsági felszerelésének ellenőrzését és a karbantartási munkákat az ebben a fejezetben leírtak szerint. Ha a gép az előírt ellenőrzések valamelyikénél nem fe

MUNKAVÉDELMI UTASÍTÁSOK

Általános biztonsági intézkedések

FONTOS!

A gépet kizárólag arra használja, amire az tervezve van. A gép kizárólag kultivátorozásra használható.

Soha ne használja a gépet, ha fáradt, ha szeszesealt fogyasztott, vagy ha olyan gyógyszert szed, amely befolyásolhatja a látását, az ítélőképességét vagy a koordinációs képességét.

Viseljen személyi védőfelszerelést. Lásd a Személyi védőfelszerelés című fejezetben szereplő utasításokat.

Soha ne használjon olyan gépet, amelynek eredeti konstrukcióján bármilyen módon is változtattak.

Soha ne üzemeltesse a gépet extrém időjárási viszonyok között, például nagy hidegben illetve nagy melegben és/vagy párák időben.

Soha ne használjon olyan gépet, amely hibás. Végezze el az ebben a használati utasításban előírt ellenőrzési, karbantartási és szervizmunkákat. Bizonyos karbantartási és szervizmunkákat szakképzett szerelőnek kell elvégeznie. Lásd a Karbantartás című fejezetben leírtakat.



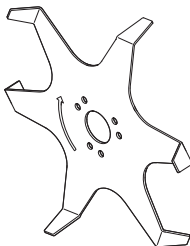
VIGYÁZAT! A hibás pengék növelik a baleset bekövetkezésének kockázatát.

- Gyermekeknek ne engedélyezze a gép üzemeltetését.
- A munka során kívülről személyeket ne engedjen 15 m-nél közelebb.
- Csak olyan személyeknek engedje meg a gép használatát, akikről tudja, hogy elsajátították a használati utasítás tartalmát.
- Kultivátorozás csak nappali fény vagy megfelelő világítás mellett végezhető.

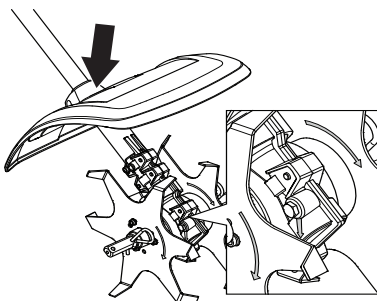
A munka elkezdése előtti biztonsági előírások

- Vizsgálja át a munkaterületet. Távolítsa el a nem rögzített tárgyakat, például a köveket, üvegszilánkokat, szögeket, acélhuzalokat, madzagokat stb., amelyek kivetődhetnek, illetve amelyek beleakadhatnak a késbe vagy a késvédőbe.
- Senkit ne engedjen a munkaterületre. Gyermek, állatok, szemlélődők és segítőtársak is csak 15 m távolságig közelíthetik meg a munkaterületet. Ha valaki közeledik, azonnal állítsa le a gépet.
- Indítás előtt vizsgálja át az egész gépet. Cserélje ki a megrongálódott alkatrészeket. Ellenőrizze, hogy nincs-e üzemenyszívárgás, és hogy minden védelem és burkolat ép-e és a helyén van-e. Ellenőrizzen minden csavart és csavaranyát.

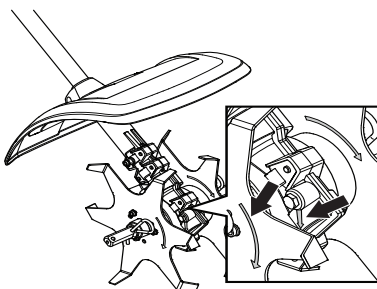
- Ellenőrizze, hogy a kultivátorfogak nem repedtek-e meg vagy nem sérültek-e. Szükség esetén cserélje ki a kultivátorfogakat.



- Győződjön meg róla, hogy a késvédő rögzítve van, és ép.



- Győződjön meg arról, hogy a kultivátorfogak és azok védőlemeze megfelelően van rögzítve. Ellenőrizze, hogy a forgás iránya megegyezik-e a vágóéleken és a sebességváltón látható nyilak irányával. A nyilaknak ugyanabba az irányba kell mutatniuk.



- Ellenőrizze, hogy a pengék nem mozognak, amikor a motor alaplajáraton forog.
- Győződjön meg róla, hogy a fogantyú és a biztonsági funkció rendben van. Soha ne használjon olyan gépet, melynek valamely alkatrésze hiányzik, vagy amelyen nem előírás szerint történt változtatás.

- A gépet kizárólag arra használja, amire az tervezve van. Hidegindítás esetén:

- Végezze el a gép alapvető bemelegítését, majd állítsa le a gépet.
- A kiegészítő szerszámokat a szerelési útmutatóban található utasítások szerint szerelje fel.

MUNKAVÉDELMI UTASÍTÁSOK

Általános munkavédelmi utasítások

FONTOS!

Ebben a szakaszban a kultivátor használatával kapcsolatos alapvető biztonsági előírásokat olvashatja.

Ha munka közben elbizonytalanodik a munka folytatását illetően, kérje szakember tanácsát. Forduljon kereskedőhöz vagy márkaszervizhez.

Ne használja a gépet olyan feladatok elvégzésére, amelyekhez, úgy véli, nincs elegendő szakértelme.

Alapvető munkavédelmi szabályok



Figyelje környezetét:

- Hogy meggyőződjön arról, hogy nincsenek személyek, állatok, vagy olyan tárgyak a közelben, amelyek befolyásolhatják a gép fölötti uralmát.
 - Hogy biztosíthassa, hogy sem embert, állatot és egyebet nem fenyeget a vágófelszereléssel vagy a szétszóródó részekkel való érintkezés veszélye.
 - FIGYELEM! Ne használja a gépet olyan körülmények között, ahol ha baleset következne be, nem lenne lehetősége segítséget hívni.
- 1 Ne használja a fűrészt rossz időben, például sűrű ködben, erősen zuhogó esőben, erős szélben vagy nagy hidegben, stb. A rossz időjárási viszonyok között végzett munka fárasztó, és veszélyes helyzeteket teremthet, például síkos felület.
 - 2 Gondoskodjon róla, hogy stabilan álljon, és járása biztos legyen. Nézzon körül és ellenőrizze lehetséges akadályok (például gyökerek, kövek, gödrök, árkok, stb.) jelenlétét, arra az esetre, ha hirtelen el kellene mozdulnia. Lejtős helyeken nagy elővigyázat



- 3 Mozgatás előtt le kell állítania a motort.
- 4 Ne tegye le a gépet, ha a motor jár, anélkül, hogy felügyelne rá.

- 5 A vágószerszámnak a kezelőtől elfelé kell néznie. Soha ne dolgozzon úgy, hogy a szerszám a kezelő felé néz, mert az súlyos sérülésekhez vezethet.

Alapvető szabály



- Mindig biztonságos és stabil munkahelyzetben dolgozzon.
- A gépet mindig két kézzel fogja. Tartsa a gépet testétől jobbra.



- Ügyeljen rá, hogy a kéz és a láb ne érintkezzen a késsel a motor működése közben.



- A kultivátorfogakat mindig tartsa a talajhoz közel.
- Minden egyes művelet után csökkentse a motor sebességét alapjáratig. Ha a motor hosszabb ideig teljes gázzal jár, anélkül, hogy munkát végezne (azaz anélkül, hogy a motor a vágófelszerelés munka közbeni ellenállását tapasztalná) az súlyos motorhibát eredményezhet.
- A munka során különösen figyeljen oda, amikor maga felé húzza a kultivátort.
- Erős vibrálás esetén állítsa le a gépet. Vegye le a gyújtógyertya kábelét a gyújtógyertyáról. Ellenőrizze, nem sérült-e meg a gép. Javítsa meg az esetleges sérüléseket.



VIGYÁZAT! Előfordulhat, hogy a kultivátorfogakba fűszálak vagy kavicsok akadnak. A kultivátor tisztítása előtt mindig állítsa le a motort.

MUNKAVÉDELMI UTASÍTÁSOK



VIGYÁZAT! Vigyázzon a felcsapódó tárgyaktól. Használjon mindig szemvédőt. Soha ne hajoljon át a vágófelszerelés védőrészén. Kövek, hulladékok stb. csapódhatnak a szembe, és vakságot és komoly sérüléseket okozhatnak.

Senkit ne engedjen a munkaterületre. Gyermekek, állatok, szemlélődők és segítőtársak is csak 15 m távolságig közelíthetik meg a munkaterületet. Ha valaki közeledik, azonnal állítsa le a gépet.

A használat során és után a váltómű meleg lehet. Érintés esetén égési sérülés veszélye áll fenn.

A munka befejezése utáni biztonsági előírások

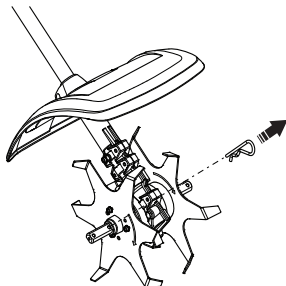


- Tisztítás, javítás vagy vizsgálat előtt állítsa le a vágófelszerelést. Vegye le a gyújtógyertyáról a gyújtógyertya kábelt.
- A kultivátor javításakor viseljen magasfokú védelmet biztosító kesztyűt.
- Javításnál csakis eredeti alkatrészeket használjon.
- A gépet tartsa gyermekek elől elzárva.

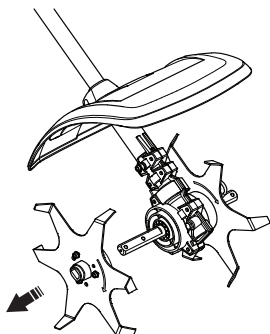
Korongcsere



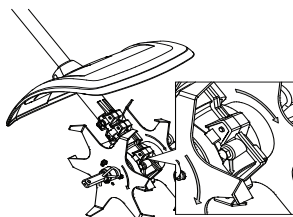
Lazítsa meg a sasszeget.



Távolítsa el a vágókészletet a váltómű burkolatának kimenőtengelyéről.



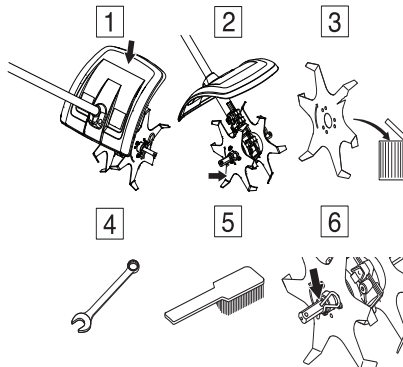
Helyezze fel a vágókészletet a váltómű burkolatának kimenőtengelyére. Ellenőrizze, hogy a forgás iránya megegyezik-e a vágóéleken és a sebességváltón látható nyilak irányával. A nyilaknak ugyanabba az irányba kell mutatniuk.



Karbantartási séma

Az alábbiakban néhány általános karbantartási utasítást talál. Ha kiegészítő információra van szüksége, forduljon szervizműhelyhez.

Napi karbantartás



- 1 Ellenőrizze, hogy a védőegység ép-e, és nincs-e rajta repedés. Ha a védőlemezek sérültek, ütést kaptak, ki kell cserélni őket.
- 2 Ellenőrizze, hogy a pengék nem mozognak, amikor a motor alapljáraton forog.
- 3 Ellenőrizze, hogy a kultivátorfogak nem repedtek-e meg vagy nem sérültek-e. Szükség esetén cserélje ki a kultivátorfogakat.
- 4 Ellenőrizze, hogy a csavarok és csavaranyák megfelelően meg vannak-e húzva.
- 5 Tisztítsa meg a gépet kívülről.
- 6 Ellenőrizze, épek-e a sasszegek, és jól vannak-e rögzítve.

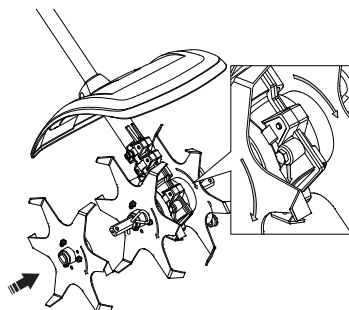
Szállítás és tárolás

- A fűnyíró esetleges szállítása esetén mindig jóváhagyott rögzítőberendezéseket használjon, és gondoskodjon a gép megfelelő rögzítéséről.
- Mielőtt a gépet hosszabb időre használaton kívül helyezné, tisztítsa meg alaposan, és végeztesse el teljes szervizét.

Opcionális kiegészítők

2 db vágófej

Helyezze fel a vágókészletet a váltómű burkolatának kimenőtengelyére. Ellenőrizze, hogy a forgás iránya megegyezik-e a vágóéleken és a sebességváltón látható nyilak irányával. A nyilaknak ugyanabba az irányba kell mutatniuk.



MŰSZAKI ADATOK

Műszaki adatok

Műszaki adatok **CA230**

Tömeg

Tömeg, kg	2,9
2 db vágófej	2,8
4 db vágófej (tartozék)	3,7

Méretek (mm)

2 db vágófej	140
4 db vágófej (tartozék)	235

Zajkibocsátás

(lásd megj. 1.)

Zajszt. mért, dB(A)	105
Zajszt. garantált L_{WA} dB(A)	109

Zajszintek

(2.sz.jegyzet)

A kezelő hallószervére gyakorolt, a EN ISO 22868 szerint mért ekvivalens hangnyomásszint, dB(A):

Jóváhagyott tartozékokkal ellátva (eredeti)	92,4
---------------------------------------------	------

Rezgés

(lásd a 3. sz. megjegyzést)

Az EN ISO 22867 szerint mért ekvivalens rezgésszintek ($a_{hv,eq}$) a fogantyúban, m/s^2

Jóváhagyott tartozékokkal ellátva (eredeti), bal/jobb	4,2/6,1
-------------------------------------------------------	---------

1. megjegyzés: A környezet zajszennyezése zajteljesítményszintként (L_{WA}) mérve a 2000/14/EG EGK-direktíva szerint. A gép jelentősben szereplő hangteljesítményszintjét a legmagasabb szintet produkáló eredeti vágófelszereléssel mérték. A garantált és a mért hangteljesítmény közötti különbségnek az oka, hogy a garantált hangteljesítmény tartalmazza a mérési eredményben lévő ingadozást és az azonos modellű gépek közti eltéréseket is a 2000/14/EK jelű irányelv értelmében.

2. megjegyzés: A gép ekvivalens hangnyomásszintjére vonatkozó jelentési adatok az 1 dB (A) tipikus statisztikus ingadozásával (szórásával) rendelkeznek.

3. megjegyzés: Az ekvivalens rezgésszintre vonatkozó megküldött adatok az 1 m/s^2 tipikus statisztikus ingadozásával (szórásával) rendelkeznek.

CA230		
Jóváhagyott tartozékok	Típus	Védőegység
Kultivátor vágófeje	4 db kés	

Termékazonossági EGK-bizonyítvány (Kizárólag Európára vonatkozik)

A **Husqvarna AB**, SE-561 82 Huskvarna, Svédország (tel.: +46-36-146500, hogy a **Husqvarna/Jonsered CA230** kultivátorfelszerelések megfelelnek az EGK TANÁCSA következő IRÁNYELVÉNEK:

- Gépekről szóló **2006/42/EK** irányelv (2006. május 17.).

Alkalmazott szabványok: ISO 11449:1994

A Svensk Maskinprovning (SMP) AB, Box 7035, SE-750 07 Uppsala, Svédország, típusellenőrzést végzett a Husqvarna AB vállalat számára. A bizonyítványok számai: **SEC/14/2415**

Huskvarna, 2015. április 20.



Per Gustafsson, Fejlesztési igazgató (A Husqvarna AB technikai dokumentációért felelős hivatalos képvisellete.)

KAJ POMENIJO SIMBOLI

Simboli

OPOZORILO!

Kultivator je lahko ob napačni uporabi zelo nevarno orodje, ki povzroči smrtne poškodbe ali smrt uporabnika ali tretjih oseb. Zato je zelo pomembno, da natančno preberete in razumete navodila za uporabo.

Natančno preberite navodila za uporabo in se prepričajte, da ste jih razumeli, predno začnete z uporabo stroja.

Pri delu vedno uporabljajte:

- Atestirane zaščitne slušalke
- Zaščitna očala ali vezir
- Če obstaja tveganje prašenja, je treba uporabljati dihalno masko.

Izdelek je v skladu z veljavnimi CE predpisi.

Opozorilo: vrtljivo rezilo. Roke in noge držite proč. Puščica označuje smer vrtenja.

Uporabnik stroja je odgovoren, da so ljudje in živali oddaljeni najmanj 15 m od delovnega mesta.

Vedno uporabljajte atestirane zaščitne rokavice.

Uporabljajte vedno grobe škornje, v katerih ne drsi.

Pazite, da se s kakšnim delom telesa ne dotaknete vročih površin.



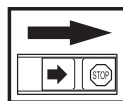
Nevarnost izmeta in odsunka.



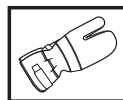
Emisija hrupa v okolico v skladu z direktivo Evropske skupnosti. Emisija stroja je podana v poglavju Tehnični podatki in na nalepki.

Ostali simboli in oznake na stroju se nanašajo na specifične zahteve za certifikacijo, ki veljajo na nekaterih tržiščih.

Pregled in/ali vzdrževanje stroja je dovoljeno le, če je motor ugasnjen in izklopno stikalo v položaju STOP.



Vedno uporabljajte atestirane zaščitne rokavice.



Vsebina

KAJ POMENIJO SIMBOLI

Simboli 182

VSEBINA

Vsebina 183

Pred vžigom bodite pozorni na naslednje: 183

KAJ JE KAJ?

Deli priključkov kultivatorja 184

NAVODILA ZA VARNO UPORABO

Osebna zaščitna oprema 185

Varnostna oprema stroja 185

Splošna navodila za varnost 187

Splošna navodila za delo 188

VZDRŽEVANJE

Menjava rezil 190

Urnik vzdrževanja 190

TEHNIČNI PODATKI

Tehnični podatki 191

ES-Izjava o skladnosti 191

Pred vžigom bodite pozorni na naslednje:

Husqvarna AB nenehno razvija in izpopolnjuje svoje izdelke in si zato pridržuje pravico sprememb v, na primer, obliki in izgledu brez predhodnega opozorila.

Dolgotrajna izpostavljenost hrupu lahko povzroči trajne okvare sluha. Zato vedno nosite odobreno zaščitno opremo za ušesa.

Natančno preberite navodila za uporabo in se prepričajte, da ste jih razumeli, predno začnete z uporabo stroja.

Ta navodila so dodatek navodilom, ki so priložena stroju. Za ostale postopke poglejte v delovna navodila stroja.



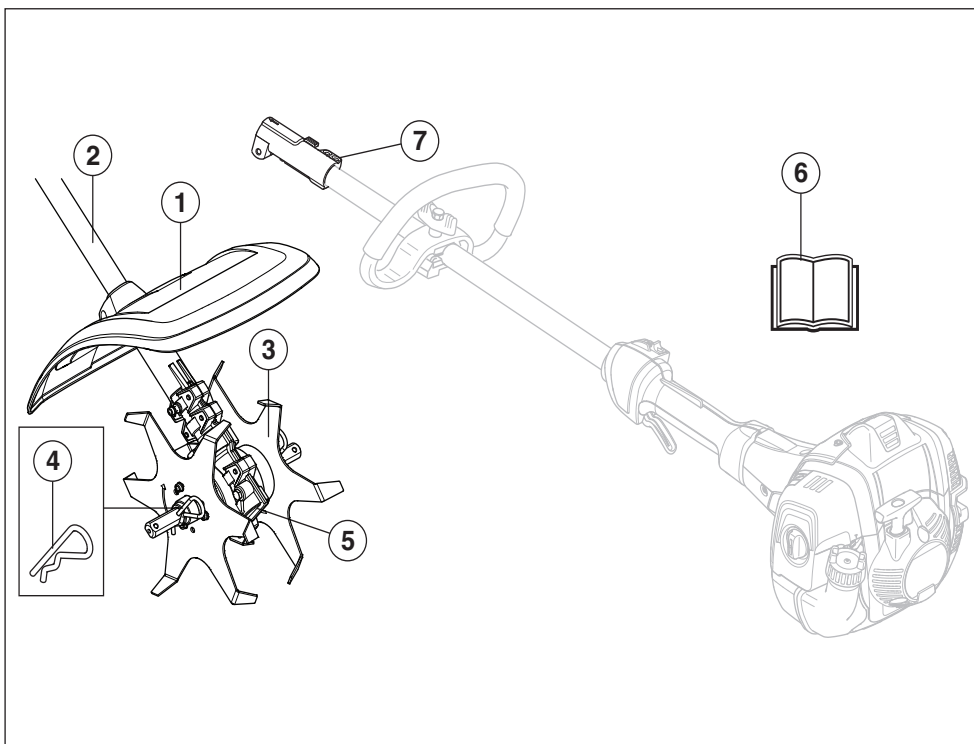
OPOZORILO! Brez predhodnega dovoljenja proizvajalca ne smete nikoli spreminjati prvotne izvedbe stroja. Vedno uporabljajte izključno originalne dele. Spremembe brez pooblastila in/ali neoriginalni deli lahko povzročijo resne poškodbe ali smrt uporabnika in drugih.



OPOZORILO! To opremo je dovoljeno uporabljati samo v povezavi z orodjem (rotacijsko kosilnico/trimerjem), za katerega je predvidena. Glejte poglavje "Odobrena oprema" v poglavju "Tehnični podatki" v navodilih za uporabo orodja.

Stroj je namenjen samo za obdelavo zemlje.

KAJ JE KAJ?



Deli priključkov kultivatorja.

- | | | | |
|---|--------------------|---|------------------------------------------------|
| 1 | Varovalo za rezilo | 5 | Ohišje menjalnika |
| 2 | Držalo | 6 | Navodila za uporabo |
| 3 | Rezila | 7 | Sklopka držala (sodi k osnovni sestavi stroja) |
| 4 | Raztezni zatič | | |

NAVODILA ZA VARNO UPORABO

Osebna zaščitna oprema



OPOZORILO! Ob vsaki uporabi stroja uporabljajte vedno atestirano osebno zaščitno opremo. Osebna zaščitna oprema ne izključuje nevarnosti poškodb, vendar pa v primeru nesreče omili posledice. Pri izbiri zaščitne opreme se posvetujte z vašim trgovcem. Natančno preberite navodila za uporabo in se prepričajte, da ste jih razumeli, predno začnete z uporabo stroja.

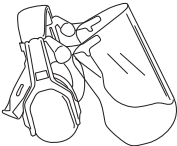


OPOZORILO! Bodite vedno pozorni na svarilne znake in klice, kadar uporabljate zaščitne slušalke. Zaščitne slušalke vedno snemite takoj, ko ste ustavili motor.

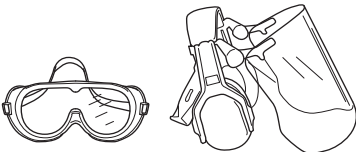
- Uporabljajte rokavice, kadar je potrebno.



- Uporabljajte zaščitne slušalke, ki učinkovito dušijo zvok.



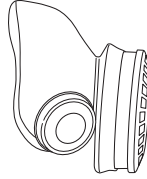
- Vedno uporabljajte atestirano zaščitno oči. Tudi če uporabljate vezir, morate vedno uporabljati tudi atestirana zaščitna očala. Atestirana očala so tista očala, ki izpolnjujejo standard ANSI Z87.1 za ZDA ali pa EN 166 za dežele EU. Izvržene veje ali predmeti lahko poškodujejo oči.



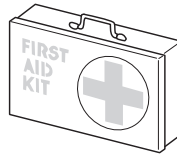
- Uporabljajte vedno grobe škornje, v katerih ne drsi.



- Vedno uporabljajte trpežne dolge hlače, čevlje, rokavice in srajco z dolgimi rokavi. Da bi se izognili nevarnosti poškodb zaradi uvleka predmetov v vrtljive dele, ne nosite ohlapnih oblačil, šalov, nakita itd. Dolge lase si spnite tako, da bodo nad višino ramen.
- Če obstaja tveganje prašenja, je treba uporabljati dihalno masko.



- Pri delu imete vedno pri sebi pribor za prvo pomoč.



Varnostna oprema stroja

To poglavje opisuje varnostne detajle stroja, način njihovega delovanja ter kako jih pregledujemo in vzdržujemo, tako da bodo v stanju, ki zagotavlja varnost pri delu. V poglavju Kaj je kaj? navajamo, kje so ti detajli na vašem stroju.

Oпустitev pravilnega vzdrževanja stroja in nestrokovno servisiranje/popravila lahko skrajšajo življenjsko dobo stroja in povečajo nevarnost nesreče. Dodatne informacije lahko dobite v najbližji servisni delavnici.

POMEMBNO! Ob vsaki uporabi stroja uporabljajte vedno atestirano osebno zaščitno opremo. Osebna zaščitna oprema ne izključuje nevarnosti poškodb, vendar pa v primeru nesreče omili posledice. Pri izbiri zaščitne opreme se posvetujte z vašim trgovcem.



OPOZORILO! Nikoli ne uporabljajte stroja s pokvarjenimi varnostnimi detajli. Sledite v tem poglavju opisanim navodilom za pregled, vzdrževanje in servis.

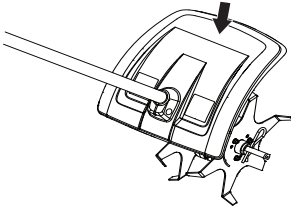
NAVODILA ZA VARNO UPORABO

Ščitnik rezilnih priključkov



Ta ščitnik preprečuje metanje različnih predmetov v uporabnika. Istočasno ščitnik preprečuje, da bi se uporabnik neprostovoljno dotaknil rezil.

- Preglejte, da je ščitnik nepoškodovan in da v njem ni razpok.

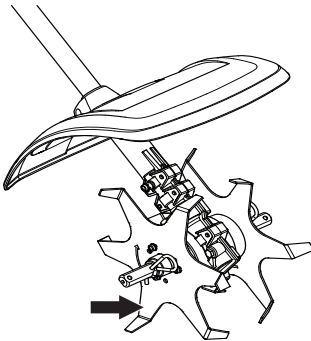


- Zamenjajte ščitnik, če je bil izpostavljen udarcem ali pa če so v njem razpoke.

Rezila



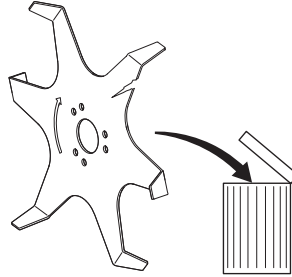
Zobje so zasnovani in strojno obdelani za obremenitve med obdelavo zemlje.



Dve osnovni pravili:

- 1 Uporabljajte samo priporočene rezalne priključke s ščitniki!

- 2 Redno preverjajte, če imajo rezilni priključki poškodbe ali razpoke. Poškodovan rezilni priključek morate vedno zamenjati.



OPOZORILO! Pred delom na katerem koli delu dodatne opreme vedno izklopite motor. Lahko se premika tudi, ko sprostite plin. Pred delom na dodatni opremi se prepričajte, da se je dodatna oprema popolnoma zaustavila, nato pa odklopite kable z vžigalnih svečk.



OPOZORILO! Nikoli ne uporabljajte stroja s poškodovano varnostno opremo. Varnostno opremo stroja pregledujte in vzdržujte natančno v skladu z navodili, ki so podana v tem poglavju. Če stroj ob pregledu ne izpolnjuje vseh opisanih pogojev, ga nemudoma prepustite v po

NAVODILA ZA VARNO UPORABO

Splošna navodila za varnost

POMEMBNO!

Napravo uporabljajte samo za tiste namene, za katere je bila namenjena. Stroj je namenjen samo za obdelavo zemlje.

Stroja ne uporabljajte, če ste utrujeni, če ste pili alkohol ali če jemljete zdravila, ki vplivajo na vid, presojo ali telesno koordinacijo.

Pri delu vedno uporabljajte osebno zaščitno opremo. Glejte navodila v poglavju Oseba zaščitna oprema.

Ne uporabljajte stroja, ki je bil kakorkoli predelan in ni več v skladu z originalno izvedbo.

Stroja nikoli ne uporabljajte v težkih vremenskih pogojih, kot so na primer hud mraz, velika vročina in/ali visoka relativna vlaga.

Ne uporabljajte pokvarjenega stroja. Upoštevajte varnostna navodila ter navodila za vzdrževanje in servis, navedena v tem priročniku. Nekatere vrste vzdrževalnih del in popravil lahko opravi samo za to usposobljeno strokovno osebje. Glejte navodila v poglavju Vzdrževanje.



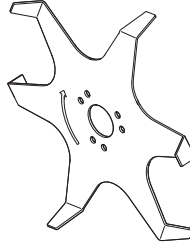
OPOZORILO! Pokvarjena rezila lahko povečajo nevarnost nesreč.

- Nikoli ne pustite otrokom uporabljati naprave.
- Zagotovite, da se vam med delom nihče ne bo približal na več kot 15 m.
- Nikoli ne pustite uporabljati naprave nekomu, brez da se prepričate ali so razumeli vsebino navodil za uporabo.
- Obdelovanje zemlje je priporočeno samo pri dnevni svetlobi ali pri dobri osvetlitvi.

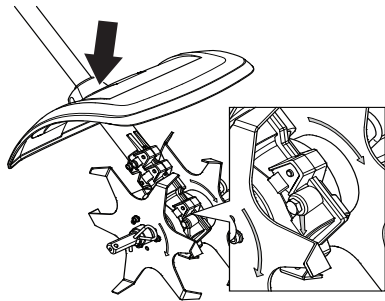
Varnostna navodila pred začetkom dela

- Preglejte delovno območje. Odstranite vse trde dele, na primer kamenje, razbito steklo, žebelje, jeklene žice, vrvi ipd., ki jih rezilo izvrže, ali pa se lahko navijejo okrog rezila ali ščitnika.
- Preprečite dostop na delovno območje nepoklicanim. Otroci, živali, mimoidoči in tisti, ki vam pomagajo pri delu, morajo biti vedno oddaljeni najmanj 15 m. Takoj ustavite stroj, da se vam kdo približuje.
- Pred začetkom preverite celoten stroj. Zamenjajte poškodovane dele. Prepričajte se, da gorivo nikjer ne pušča in so vse zaščitne mreže ter pokrovi nepoškodovani in pravilno pritrjeni. Preverite vse matice in vijake.

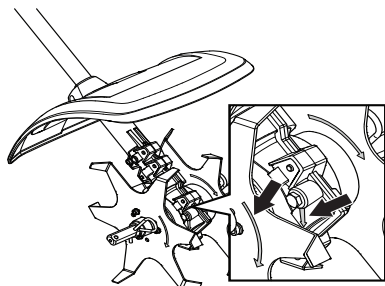
- Preverite ali so rezila nepoškodovana in nimajo razpok ali drugi poškodb. Po potrebi zamenjajte rezila.



- Ščitnik rezila mora biti čist in ne sme biti poškodovan.



- Preverite, ali so zobje in ščitniki zob pravilno pritrjeni. Smer vrtanja mora biti pravilna za rezila in menjalnik. Puščice morajo biti obrnjene v isto smer.



- Preverite, da se rezila ne premikajo, ko je motor v prostem teku.
- Prepričajte se, da ročaj in varovala delujejo brezhibno. Nikoli ne uporabljajte stroja, na katerem manjkajo deli ali se zaradi predelave razlikuje od specifikacij.
- Napravo uporabljajte samo za tiste namene, za katere je bila namenjena.

Ob zagonu hladnega motorja:

- Osnovni del stroja naj deluje, da se bo segrel, nato pa ga izklopite.
- Dodatno opremo namestite v skladu z navodili za montažo.

NAVODILA ZA VARNO UPORABO

Splošna navodila za delo

POMEMBNO!

V tem poglavju so navedena osnovna varnostna navodila za delo s kultivatorjem.

Če se vam zgodi, da dvomite, če je nadaljnja uporaba še primerna, se posvetujte s strokovnjakom. Povprašajte vašega trgovca ali servisno delavnico.

Izogibajte se uporabi, če se ne počutite dovolj usposobljeni.

Osnovna varnostna pravila



Oglejte si okolico in se pripravite:

- Da v bližini ni ljudi, živali ali predmetov, ki bi lahko vplivali na vašo kontrolo stroja pri delu.
 - Varnostni ukrepi, da ljudje, živali in drugo ne more priti v stik z rezilnimi priključki ali pa s predmeti, ki jih rezilni priključek po naključju izvrtje.
 - **POZOR!** Nikoli ne uporabljajte stroja, če v primeru nesreče ne morete priključiti pomoči.
- 1 Ne uporabljajte žage v slabih vremenskih razmerah. Takšne razmere so gosta megla, močen dež ali veter, hud mraz, itd. Delo v slabem vremenu je utrujajoče, slabo vreme pa pomeni tudi nevarne delovne pogoje, na primer poledenela tla.
 - 2 Poskrbite, da lahko na območju dela varno stojite in hodite. Če morate nepričakovano spremeniti delovni položaj, če posebej pazite na morebitne ovire (korenine, kamenje, veje, jarko, itd). Pri delu na nagnjenih tleh bodite še posebej previdni.



- 3 Kadarkoli menjate delovni okoliš, mora biti motor ugasnjen.
- 4 Nikoli ne odložite stroja s prižganim motorjem, če ga ne morete nadzorovati.
- 5 Rezalno orodje med delovanjem ne sme biti v bližini upravljavca. Z orodjem nikoli ne delajte v bližini upravljavca, saj lahko to povzroči resne poškodbe.

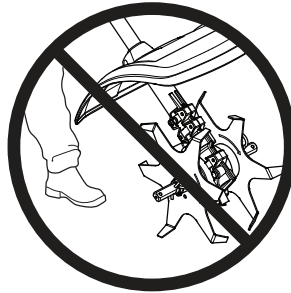
Osnovna tehnika ko šenja in či ščenja podrasti



- Zmeraj si zagotovite varen in stabilen delovni položaj.
- Stroj vedno primate z obema rokama. Stroj držite na desni strani svojega telesa.



- Ko motor deluje, z rokami ali nogami ne segajte v območje rezila.



- Zobje naj bodo vedno v bližini tal.
- Po vsakem delovnem momentu naj motor nekaj časa deluje v prostem teku. Če motor dalj časa deluje pri najvišjih obratih, brez obremenitve (brez odpora, ki ga rezilni priključek nudi delo s strojem), se lahko resno poškoduje.
- Med delom bodite posebej pozorni ob vleki kultivatorja proti sebi.
- Če se pojavijo močnejše vibracije, izklopite stroj. Odklopite kabel z vžigalne svečke. Prepričajte se, da je stroj ni poškodovan. Popravite vse poškodbe.



OPOZORILO! Občasno se lahko trava in kamenje ujamejo med zobe. Med čiščenjem mora biti motor obvezno izklopljen.

NAVODILA ZA VARNO UPORABO



OPOZORILO! Pazite se izmeta. Vedno uporabljajte zaščito oči. Nikoli se ne sklanjajte nad ščitnik rezilnih priključkov. V oči vam lahko vrže kamenje, nesnago itd., kar vas lahko oslepi, ali pa nevarno poškoduje.

Preprečite dostop na delovno območje nepoklicanim. Otroci, živali, mimoidoči in tisti, ki vam pomagajo pri delu, morajo biti vedno oddaljeni najmanj 15 m. Takoj ustavite stroj, da se vam kdo približuje.

Menjalnik se lahko med uporabo segreje in lahko ostane vroč tudi po uporabi. Ob dotiku se lahko opečete.

Varnostna navodila po koncu dela

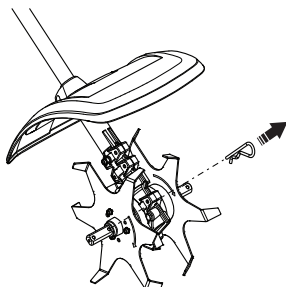


- Pred čiščenjem, popravilanjem ali preverjanjem se prepričajte, da se je rezalni dodatek ustavil. Izključite HT kabel iz svečke.
- Ob popravilu kultivatorja uporabljajte rokavice za močnejše obremenitve.
- Za popravila uporabljajte samo originalne rezervne dele.
- Napravo shranjujte izven dosega otrok.

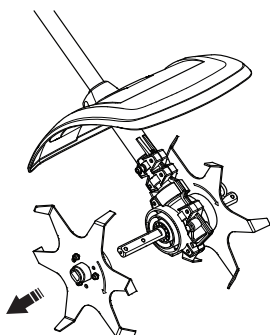
Menjava rezil



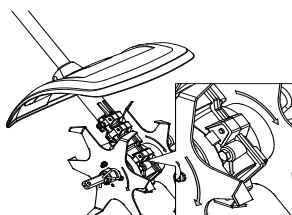
Sprostite raztezni zatič.



Odstranite sklop rezil z izhodne osi iz ohišja menjalnika.



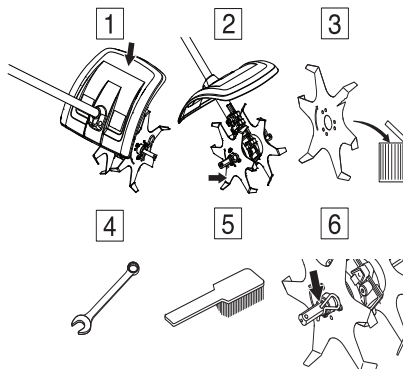
Namestite sklop rezil na izhodno gred ohišja menjalnika. Smer vrtenja mora biti pravilna za rezila in menjalnik. Puščice morajo biti obrnjene v isto smer.



Urnik vzdrževanja

Sledi nekaj splošnih navodil za vzdrževanje. Če potrebujete še dodatna pojasnila, stopite v stik s servisno delavnico.

Vsakodnevno vzdrževanje



- 1 Prepričajte se, da ščitnik ni poškodovan in da nima razpok. Če je bil ščitnik izpostavljen udarcem, ali pa če ima razpoke, ga zamenjajte.
- 2 Preverite, da se rezila ne premikajo, ko je motor v prostem teku.
- 3 Preverite ali so rezila nepoškodovana in nimajo razpok ali drugi poškodb. Po potrebi zamenjajte rezila.
- 4 Kontrolirajte, če so vse matice in vijaki temeljito priviti.
- 5 Očistite zunanje dele stroja.
- 6 Raztezni zatiči in razcepke ne smejo biti poškodovane in morajo biti pravilno nameščene.

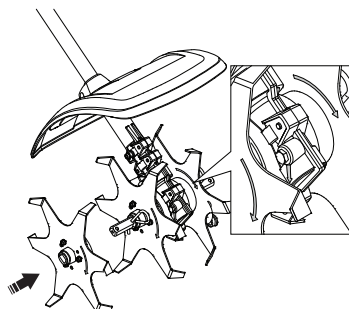
Prevoz in shranjevanje

- Pri transportu stroja na drugem vozilu vedno uporabite odobrene varnostne naprave in poskrbite, da je stroj varno pritrjen.
- Preden stroj shranite za dalj časa, ga obvezno očistite in dajte na popoln servis.

Dodatna oprema

2 x rezilo

Namestite sklop rezil na izhodno gred ohišja menjalnika. Smer vrtenja mora biti pravilna za rezila in menjalnik. Puščice morajo biti obrnjene v isto smer.



TEHNIČNI PODATKI

Tehnični podatki

Tehnični podatki **CA230**

Teža

Te	2,9
2 x rezilo	2,8
4 x rezila (dodatna oprema)	3,7

Mere, mm

2 x rezilo	140
4 x rezila (dodatna oprema)	235

Emisije hrupa

(glej opombo 1)

Moč hrupa, izmerjena dB(A)	105
Moč hrupa, zagotovljena L_{WA} dB(A)	109

Zvočni nivoji

(glejte op. 2)

Ekvivalenca pritiska zvoka na uporabnikovo uho, merjena po EN ISO 22868, dB(A):

Opremljeno z odobreno dodatno opremo (originalno)	92,4
---------------------------------------------------	------

Vibracije

(glejte op. 3)

Ekvivalenca nivoja vibracij ($a_{H,eq}$) v ročajih, izmerjena v skladu z EN ISO 22867, m/s^2 .

Opremljeno z odobreno dodatno opremo (originalno), levo/desno	4,2/6,1
---------------------------------------------------------------	---------

Opomba 1: Emisija hrupa v okolico merjena kot zvočni efekt (L_{WA}) v skladu z EG direktivo 2000/14/EG. Sporočena raven zvočne moči za napravo je izmerjena z originalnim rezalnim priključkom, s katerim se doseže najvišji nivo. Razlika med zajamčeno in izmerjeno ravno zvočno moči je, da zajamčena raven zvočne moči v skladu z Direktivo 2000/14/ES vključuje tudi razpršitev rezultata meritve in razlike med različnimi napravami istega modela.

Opomba 2: Sporočeni podatki za ekvivalenco nivoja zvočnega tlaka za napravo imajo tipično statistično razpršitev (standardni odklon) v vrednosti 1 dB (A).

Opomba 3: Sporočeni podatki za ekvivalenco nivoja vibracij imajo tipično statistično razpršitev (standardni odklon) v vrednosti 1 m/s^2 .

CA230		
Atestirani priključki	Tip	Ščitnik
Rezilo kultivatorja	4 x rezilo	

ES-Izjava o skladnosti (Velja le za Evropo)

Mi, **Husqvarna AB**, SE-561 82 Huskvarna, Švedska, tel.: +46-36-146500, izjavljamo, da kultivatorski priključek **Husqvarna/Jonsered CA230** izpolnjuje zahteve DIREKTIVE SVETA:

- z dne 17. maja 2006, ki se nanaša na stroje, **2006/42/ES**.

Uporabljeni so bili naslednji standardi: ISO 11449:1994

SMP Svensk Maskinprovning AB, Box 7035, SE-750 07 Uppsala, Švedska, je za Husqvarna AB opravil prostovoljno tipsko kontrolo. Certifikati imajo naslednje številke: **SEC/14/2415**

Husqvarna, 20.april 2015



Per Gustafsson, šef razvoja (Pooblaščen predstavnik za Husqvarna AB in odgovorni za tehnično dokumentacijo.)

EXPLICAȚIA SIMBOLURILOR

Simboluri

AVERTISMENT!

Dacă este utilizat incorect sau neatent, prășitorul poate cauza răni grave sau fatale operatorului sau altor persoane. Este foarte important să citiți și să înțelegeți conținutul acestui manual de utilizare.

Citiți cu atenție instrucțiunile de utilizare și asigurați-vă că ați înțeles conținutul înainte de a folosi mașina.

Folosiți întotdeauna:

- Dispozitiv de protecție a auzului omologat
- Ochelari sau mască de protecție
- Când există pericolul de generare a prafului, trebuie purtată o mască de protecție.

Acest produs corespunde normelor prevăzute în indicațiile CE.

Avertisment: motoferăstrău circular.
Feriți mâinile și picioarele. Săgeata indică direcția de rotație.

Utilizatorul mașinii va avea grijă ca, în timpul lucrului, nici o persoană și nici un animal să nu se apropie la o distanță mai mică de 15 metri.

Folosiți întotdeauna mănuși de protecție omologate.

Folosiți încălțăminte ce nu alunecă și stabilă.

Feriți-vă toate părțile corpului de suprafețele fierbinți.



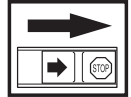
Atenție la obiecte proiectate și de ricoșeuri.



Producere de zgomot în mediul înconjurător conform directivei Comunității Europene. Nivelul de zgomot al mașinii este indicat în capitolul Date tehnice cât și pe etichetă.

Simbolurile suplimentare/etichetele de pe mașină se referă la condiții speciale de certificare pentru anumite piețe de desfacere.

Control și/sau întreținere se vor executa cu motorul deconectat, cu contactul de oprire în poziția STOP.



Folosiți întotdeauna mănuși de protecție omologate.



CUPRINS

Conținut

EXPLICAȚIA SIMBOLURILOR

Simboluri 192

CUPRINS

Conținut 193

Înainte de pornirea trebuie observate următoarele: 193

PĂRȚILE COMPONENTE

Componentele cultivatorului? 194

INSTRUCȚIUNI DE SIGURANȚĂ

Echipament personal de protecția muncii 195

Echipamentul de siguranță al mașinii 195

Măsuri generale de protecția muncii 197

Instrucțiuni generale de lucru 198

ÎNȚEȚINERE

Înlocuirea lamelor 200

Planificarea întreținerii 200

DATE TEHNICE

Date tehnice 201

Declaratie de conformitate EC 201

Înainte de pornirea trebuie observate următoarele:

Husqvarna AB lucrează în mod continuu pentru dezvoltarea produselor sale și de aceea își rezervă dreptul de a modifica produsele în ceea ce privește printre altele forma și înfățișarea, fără obligația de a comunica aceasta în prealabil.

Expunere îndelungată la zgomot poate duce la defecte de auz definitive. De aceea folosiți întotdeauna protecția auzului omologată.

Citiți cu atenție instrucțiunile de utilizare și asigurați-vă că ați înțeles conținutul înainte de a folosi mașina.

Aceste instrucțiuni reprezintă un complement al manualului de utilizare care însoțește mașina. Consultați manualul de utilizare pentru orice manipulare suplimentară.



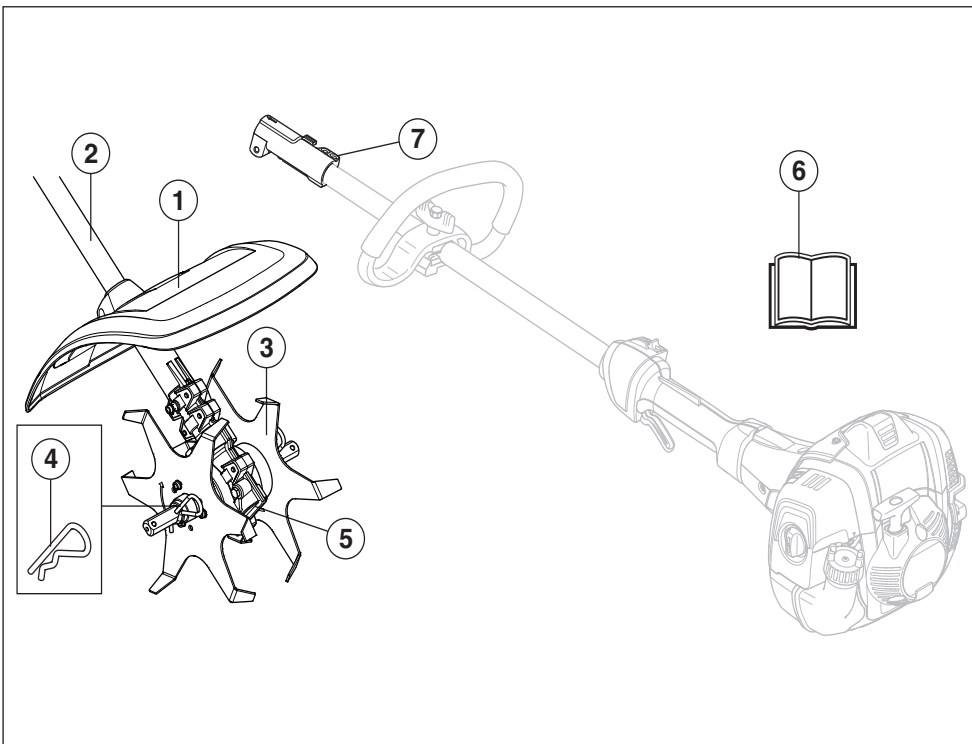
AVERTISMENT! Orice modificare a construcției originale a mașinii este interzisă fără aprobarea fabricantului. Folosiți întotdeauna piese de schimb originale. Modificări sau accesorii neautorizate pot să ducă la răni serioase, sau accidente mortale ale utilizatorului sau a altor persoane.



AVERTISMENT! Acest accesoriu poate fi folosit doar împreună cu fierăstraie de curățire/aparate de tuns iarba pentru care este prevăzut. A se vedea și paragraful "Accesorii admise" din capitolul "Date tehnice" al manualului de utilizare.

Mașina este destinată exclusiv cultivării.

PĂRȚILE COMPONENTE



Componentele cultivatorului?

- | | | | |
|---|----------------------|---|--------------------------------------------------|
| 1 | Apărătoarea discului | 5 | Carcasă angrenaj |
| 2 | Tijă | 6 | Instrucțiuni de utilizare |
| 3 | Discuri | 7 | Angrenarea tijei (În dotarea standard a mașinii) |
| 4 | Șlint | | |

INSTRUCȚIUNI DE SIGURANȚĂ

Echipment personal de protecția muncii



AVERTISMENT! La orice folosire a mașinii trebuie folosit un echipament de protecție personal omologat. Echipamentul de protecție personal nu elimină riscul de rănire dar reduce efectul unei răniri în cazul unui accident. Cereți ajutor la magazinul de vânzare pentru alegerea echipamentului. Citiți cu atenție instrucțiunile de utilizare și asigurați-vă că ați înțeles conținutul înainte de a folosi mașina.

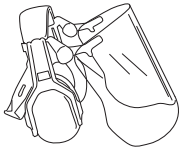


AVERTISMENT! Fiți întotdeauna atent la semnale de alarmă sau strigate atunci când folosiți protecția auzului. Îndepărtați întotdeauna protecția auzului imediat ce ați oprit motorul.

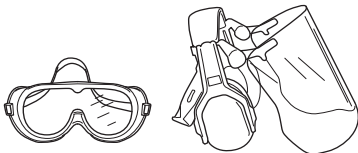
- Mănuși se vor purta atunci când este necesar.



- Protecția auzului cu un efect atenuator suficient trebuie folosită.



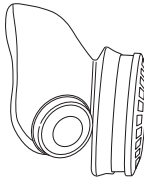
- Dispozitiv omologat de protecție a ochilor trebuie folosit întotdeauna. Dacă se folosește o mască de protecție trebuie să se folosească și ochelari de protecție omologați. Ochelari de protecție omologați înseamnă aceia care îndeplinesc standardul ANSI Z87.1 pentru SUA sau EN 166 pentru țările Pieții Comune. Loviturile cauzate de ramurile sau de obiectele azvârlite pot vătăma ochii.



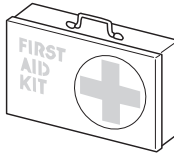
- Folosiți încălțăminte ce nu alunecă și stabilă.



- Purtați întotdeauna pantaloni lungi, groși, cizme, mănuși și o bluză cu mâneci lungi. Pericol de vătămări corporale din cauza prinderii obiectelor în piesele rotative. Nu purtați haine largi, eșarfe, bijuterii etc. Părul lung trebuie prins deasupra nivelului umerilor.
- Când există pericolul de generare a prafului, trebuie purtată o mască de protecție.



- Trusa de prim ajutor trebuie să fie întotdeauna la îndemână.



Echipmentul de siguranță al mașinii

În acest capitol se explică diferitele detalii de siguranță ale mașinii, care este rolul lor, precum și controlul și întreținerea ce trebuie executate pentru a vă asigura că acestea funcționează. A se vedea capitolul Părțile componente pentru localizarea acestor detalii pe mașina Dvs.

Durata de folosire a mașinii se poate scurta iar riscul de rănire poate crește dacă întreținerea mașinii nu se efectuează în mod corect și dacă service și/sau reparații nu se efectuează într-un mod profesional. Dacă aveți nevoie de informații suplimentare, contactați atelierul service cel mai apropiat.

IMPORTANT! La orice folosire a mașinii trebuie folosit un echipament de protecție personal omologat. Echipamentul de protecție personal nu elimină riscul de rănire dar reduce efectul unei răniri în cazul unui accident. Cereți ajutor la magazinul de vânzare pentru alegerea echipamentului.



AVERTISMENT! Nu folosiți niciodată o mașină cu dispozitive de siguranță defecte. Urmați instrucțiunile de control, întreținere și service conform punctelor din acest capitol.

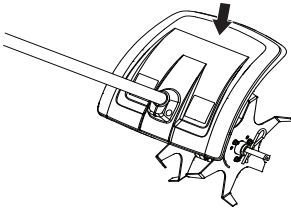
INSTRUCȚIUNI DE SIGURANȚĂ

Protecția dispozitivului de tăiere



Această apărătoare este destinată pentru a împiedica aruncarea de obiecte libere în direcția utilizatorului. Apărătoarea protejează de asemenea ca utilizatorul să vină în contact cu dispozitivul de tăiere.

- Verificați ca protecția nu prezintă deteriorări și că este nefisurată.

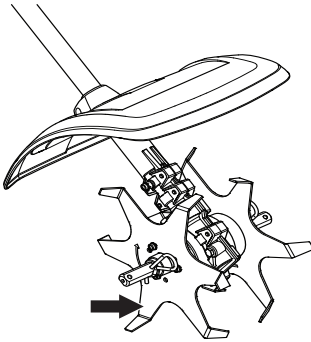


- Schimbați protecția dacă aceasta a fost supusă la lovire sau este crăpată.

Mecanismul de tăiere



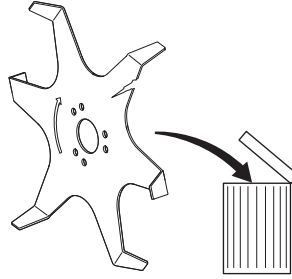
Dinții sunt proiectați și realizați pentru a rezista solicitărilor care apar la cultivare.



Cele două reguli de bază:

- 1 Utilizați numai accesoriile de tăiere împreună cu apărătoarele pe care le recomandăm!

- 2 Controlați ca dispozitivul de tăiere să nu aibe defecte sau crăpături. Un dispozitiv de tăiere defect trebuie întotdeauna schimbat.



AVERTISMENT! Oprii întotdeauna motorul, înainte de a lucra la orice piesă sau accesoriu. Acesta se poate mișca și după eliberarea manetei de admisie. Asigurați-vă că accesoriul s-a oprit complet și deconectați cablurile de înaltă tensiune de la bujie, înainte de a începe să lucrați la acesta.



AVERTISMENT! Nu folosiți niciodată o mașină cu dispozitiv de siguranță defect. Dispozitivul de siguranță al mașinii trebuie controlat și întreținut conform indicațiilor din acest capitol. Dacă mașina nu face față la toate controalele trebuie luat legătura cu atelierul

INSTRUCȚIUNI DE SIGURANȚĂ

Măsurile generale de protecția muncii

IMPORTANT!

Folosiți mașina numai în scopurile prevăzute. Mașina este destinată exclusiv cultivării.

Nu folosiți niciodată mașina dacă sunteți obosit, dacă ați băut alcool, sau dacă ați luat medicamente care vă influențează vederea, judecata, sau coordonarea mișcărilor.

Purtați echipament individual de protecție. A se vedea instrucțiunile de la paragraful Echipamentul individual de protecție.

Nu folosiți niciodată o mașină care a fost modificată și nu mai corespunde construcției originale.

Nu folosiți niciodată mașina în condiții climatice extreme, cum ar fi ger aspru sau căldură mare și/sau climat umed.

Nu utilizați niciodată un aparat care este defect. Efectuați verificările de siguranță, operațiile de întreținere și de service descrise în acest manual. Anumite operații de întreținere și de service trebuie efectuate de specialiști instruiți și calificați. Consultați instrucțiunile din subcapitolul Întreținerea.



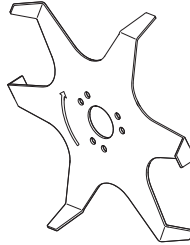
AVERTISMENT! Discurile defecte pot spori riscul de accidentare.

- Nu permiteți niciodată copiilor să folosească mașina.
- Aveți grijă ca nimeni să nu se găsească la o distanță mai mică de 15 m în timpul lucrului.
- Nu lăsați niciodată o altă persoană să folosească mașina înainte de a vă asigura că conținutul din instrucțiunile de folosire sunt înțelese.
- Cultivarea trebuie efectuată doar în timpul zilei sau în condiții de lumină puternică.

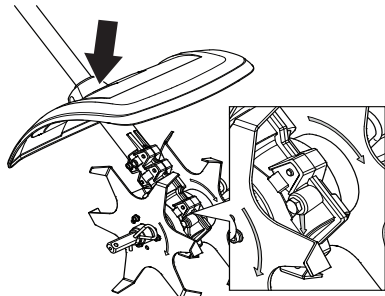
Instrucțiuni de siguranță înainte de pornire

- Inspectați zona de lucru. Îndepărtați toate obiectele nefixate, cum ar fi pietre, cioburi de sticlă, cuie, sârmă de oțel, sfoară și altele, care pot fi aruncate sau se pot agăța de cuțit sau de protecția cuțitului.
- Nu permiteți persoanelor neautorizate să se apropie. Copii, animale, observatori și colaboratori trebuie să se mențină în afara zonei de siguranță de 15 metri. Oprii mașina imediat ce observați că o persoană se apropie.
- Controlați întreaga mașină înainte de începerea lucrului. Înlocuiți piesele deteriorate. Verificați că nu există posibilitatea de scurgere a combustibilului și că toate protecțiile și toate carcasa de protecție sunt întregi și bine fixate. Verificați toate șuruburile și piulițele.

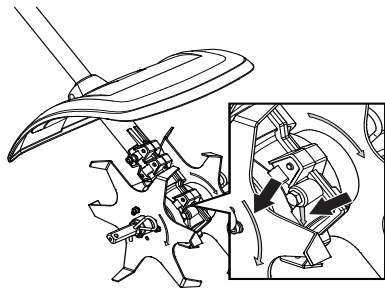
- Asigurați-vă că dinții nu sunt deteriorați și nu prezintă semne de crăpături sau alte defecțiuni. În caz de nevoie înlocuiți dinții.



- Verificați că protecția cuțitului este montată și nu este deteriorată.



- Asigurați-vă că apărătoarea și dinții sunt fixați corespunzător. Asigurați-vă că direcția de rotire a dinților tăietori și a angrenajului sunt aceleași. Săgețile trebuie să fie îndreptate în aceeași direcție.



- Asigurați-vă că discurile nu se mișcă atunci când motorul merge în gol.
- Convingeți-vă că maneta și dispozitivele de siguranță sunt în ordine. Nu folosiți niciodată o mașină cu piese lipsă sau dacă vreo piesă a fost schimbată cu ceva în afara specificațiilor.
- Folosiți mașina numai în scopurile prevăzute.

Atunci când porniți la rece:

- Porniți mașina pentru încălzire și apoi oprii-o.
- Montați accesoriul conform instrucțiunilor de asamblare.

INSTRUCȚIUNI DE SIGURANȚĂ

Instrucțiuni generale de lucru

IMPORTANT!

Această secțiune conține indicații elementare de siguranță pentru lucrul cu cultivatorul.

Dacă vă găsiți într-o situație în care vă simțiți nesigur în legătură cu continuarea folosirii cereți sfatul unui specialist. Luați legătura cu magazinul de vânzare sau cu atelierul de reparații.

Evitați orice folosire pentru care nu vă considerați suficient calificat.

Reguli de bază de siguranță



Priviți în jurul Dvs.:

- Pentru a vă asigura că nu se află persoane, animale sau obiecte care vă pot influența controlul asupra mașinii.
 - Pentru a vă asigura că oameni, animale sau alceva nu riscă să ajungă în contact cu dispozitivul de tăiere sau cu obiectele care pot fi aruncate de dispozitivul de tăiere.
 - **ATENȚIE!** Nu folosiți niciodată mașina dacă nu puteți cere ajutorul cuiva în caz de accident.
- 1 Evitați folosirea în vreme proastă. Ca de exemplu ceață deasă, ploaie puternică, vânt tare, frig excesiv, etc. Lucrul pe vreme rea este obositor și poate duce la apariția de situații periculoase cum ar fi suprafețele alunecoase.
 - 2 Asigurați-vă că puteți înainta și sta în mod sigur. Controlați dacă sunt eventuale obstacole în cazul unei deplasări neașteptate (rădăcini, pietre, crengi, gropi, șanțuri, etc). Lucrați cu atenție mărită pe teren înclinat.



- 3 Motorul trebuie oprit înainte de a mișca utilajul.
- 4 Nu lăsați mașina pe pământ cu motorul în funcțiune, decât dacă o aveți sub observație.
- 5 Unealta de tăiere trebuie să funcționeze întotdeauna la distanță de operator. Nu lucrați niciodată cu unelte care nu sunt operate de operator, deoarece aceasta poate cauza răniri grave.

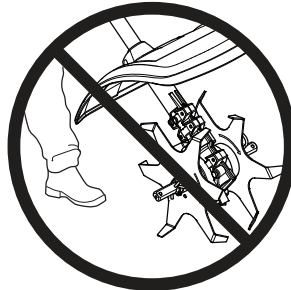
Reguli principale de lucru



- Convingeți-vă că aveți o poziție de lucru sigură și stabilă.
- Folosiți întotdeauna ambele mâini pentru a ține mașina. Țineți mașina în partea din dreapta a corpului.



- Convingeți-vă că mâinile și picioarele nu sunt atinse de cuțit în timp ce motorul funcționează.



- Totdeauna mențineți dinții aproape de sol.
- După fiecare moment de lucru aduceți motorul la turația de mers în gol. Funcționarea prea îndelungată fără sarcină la motor (fără rezistența pe care motorul o primește de la dispozitivul de tăiere în timpul lucrului cu mașina) poate duce la deteriorarea serioasă a motorului.
- Aveți mare grijă atunci când trageți cultivatorul spre dvs. în timpul lucrului.
- Dacă se produc vibrații puternice, opriți mașina. Deconectați cablul de aprindere de la bujie. Controlați că mașina nu este deteriorată. Reparați eventuale defecte.



AVERTISMENT! Este posibil ca între dinții să se blocheze iarbă sau pietre. Totdeauna opriți motorul în timpul curățării.

INSTRUCȚIUNI DE SIGURANȚĂ



AVERTISMENT! Fiți atenți la obiecte ce pot fi aruncate. Folosiți întotdeauna protecția ochilor. Nu vă aplecați niciodată deasupra carcasei de protecție a dispozitivului de tăiere. Pietre, gunoi etc pot fi aruncate spre ochi și pot produce orbire sau răni grave.

Nu permiteți persoanelor neautorizate să se apropie. Copii, animale, observatori și colaboratori trebuie să se mențină în afara zonei de siguranță de 15 metri. Opriți mașina imediat ce observați că o persoană se apropie.

Angrenajul se poate înfierbânta în timpul utilizării și poate rămâne fierbinte câtva timp după aceea. Dacă îl atingeți, vă poate provoca arsuri.

Instrucțiuni de siguranță după terminarea lucrului

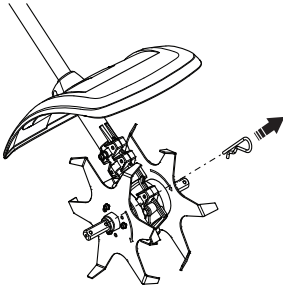


- Înainte de curățire, reparație sau control trebuie să vă asigurați că dispozitivul de tăiere s-a oprit. Îndepărtați cablul de aprindere de la bujie.
- Purtați mănuși de protecție atunci când reparați cultivatorul.
- Folosiți doar piese de schimb originale la reparații.
- Depozitați mașina în locuri inaccesibile pentru copii.

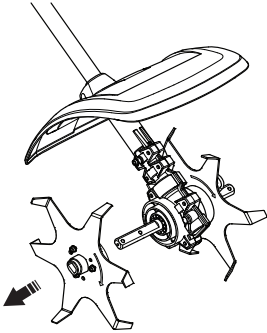
Înlocuirea lamelor



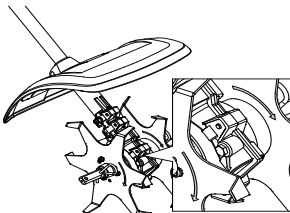
Slăbiți șplintul.



Scoateți unitatea cu dinți tăietori din axul de ieșire a carcasei angrenajului.



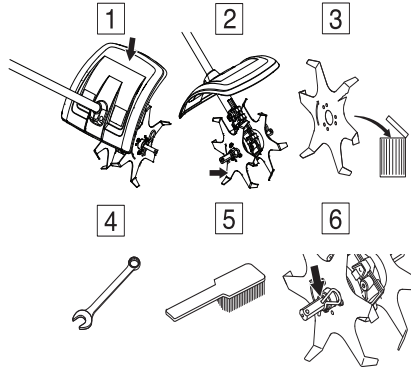
Montați unitatea cu dinți tăietori pe arborele de ieșire al carcasei angrenajului. Asigurați-vă că direcția de rotire a dinților tăietori și a angrenajului sunt aceleași. Săgețile trebuie să fie îndreptate în aceeași direcție.



Planificarea întreținerii

Mai jos găsiți câteva instrucțiuni generale de întreținere. Dacă vă sunt necesare informații suplimentare, adresați-vă atelierului de întreținere.

Întreținere zilnică



- 1 Controlați că protecția nu prezintă deteriorări și că nu are fisuri. Schimbați protecția dacă aceasta a fost supusă la lovituri sau este crăpată.
- 2 Asigurați-vă că discurile nu se mișcă atunci când motorul merge în gol.
- 3 Asigurați-vă că dinții nu sunt deteriorați și nu prezintă semne de crăpături sau alte defecțiuni. În caz de nevoie înlocuiți dinții.
- 4 Verificați ca șuruburile și piulițele să fie strânse.
- 5 Curățați mașina în exterior.
- 6 Verificați dacă șplinturile și știfturile cu cap și gaură sunt intacte și fixate corect.

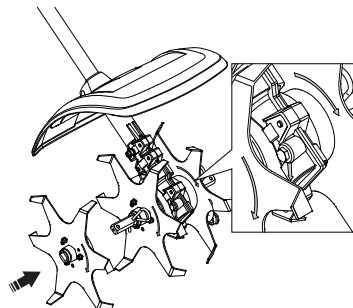
Transport și depozitare

- Dacă transportați utilajul pe un alt vehicul, utilizați întotdeauna dispozitive de fixare aprobate și asigurați-vă că acesta este fixat bine.
- Aveți grijă ca mașina să fie bine curățată și ca un service complet să fie efectuat înainte de depozitare pe termen îndelungat.

Accesorii opționale

2x dinți tăietori

Montați unitatea cu dinți tăietori pe arborele de ieșire al carcasei angrenajului. Asigurați-vă că direcția de rotire a dinților tăietori și a angrenajului sunt aceleași. Săgețile trebuie să fie îndreptate în aceeași direcție.



DATE TEHNICE

Date tehnice

Date tehnice **CA230**

Greutate

Greutate, Livre/kg	2,9
2x dinți tăietori	2,8
4x dinți tăietori (accesoriu)	3,7

Dimensiuni, mm

2x dinți tăietori	140
4x dinți tăietori (accesoriu)	235

Producere de zgomot

(vezi nota 1)

Nivelul efectului sonor, măsurat dB(A)	105
Nivelul efectului sonor, garantat L_{WA} dB(A)	109

Nivele de zgomot

(vezi nota 2)

Nivel echivalent al presiunii zgomotului la urechea utilizatorului, măsurat conform cu EN ISO 22868, dB(A):

Dotat cu accesoriu omologat (original)	92,4
----------------------------------------	------

Vibrații

(vezi nota 3)

Nivelele echivalente de vibrații ($a_{hw,eq}$) la mână, măsurate în conformitate cu EN ISO 22867, m/s^2

Dotat cu accesoriu omologat (original), stânga/dreapta	4,2/6,1
--------------------------------------------------------	---------

Nota 1: Producere de zgomot în mediul înconjurător măsurat ca și efect sonor (L_{WA}) conform directivei EG 2000/14/EG. Nivelul de putere a sunetului raportat pentru aparat a fost măsurat cu accesoriul original de tăiere care emite cel mai ridicat nivel. Diferența dintre puterea garantată a sunetului și cea măsurată este aceea că puterea garantată a sunetului include, de asemenea, dispersia în rezultatul de măsurare și variațiile dintre diferitele aparate ale aceluiași model conform Directivei 2000/14/EC.

Nota 2: Datele raportate pentru nivelul echivalent de presiune a zgomotului pentru aparat includ o dispersie statistică tipică (deviere standard) de 1 dB (A).

Nota 3: Datele raportate pentru nivelul echivalent de vibrații includ o dispersie statistică tipică (deviere standard) de 1 m/s^2 .

CA230		
Dispozitive auxiliare omologate	Tip	Protecția
Prășitor cu unitate de tăiere	4x discuri	

Declaratie de conformitate EC (Valabil doar în Europa)

Noi, **Husqvarna AB**, SE-561 82 Huskvarna, Suedia, tel: +46-36-146500, declarăm că accesoriul pentru prășitor **Husqvarna/Jonsered CA230** respectă cerințele DIRECTIVEI CONSILIULUI:

- din 17 mai 2006 „referitoare la aparat” **2006/42/EC**.

Au fost aplicate următoarele standarde: ISO 11449:1994

SMP Svensk Maskinprovning AB, Box 7035, SE-750 07 Uppsala, Suedia, a efectuat un control voluntar al tipului pentru Husqvarna AB. Certificatele au numerele: **SEC/14/2415**

Huskvarna, 20 aprilie 2015



Per Gustafsson, director de dezvoltare (Reprezentant autorizat pentru Husqvarna AB și responsabil cu documentația tehnică.)

SEMBOLLERİN AÇIKLANMASI

Semboller

UYARI!

Kültivatör, hatalı veya dikkatsiz kullanılırsa tehlikeli olabilecek bir alettir. Operatör veya diğer kişiler için ciddi veya ölümcül yaralanmalara neden olabilir. Bu Kullanım Kılavuzunun içeriğini okumanız ve anlamanız son derecede önemlidir. Makineyi kullanmadan önce kullanımlık kılavuzunu iyice okuyarak içeriğini kavrayınız.



Her zaman kullanılması gereken malzemeler:

- Onanmış koruyucu kulaklık
- Koruyucu gözlük ya da yüz siperi
- Toz riski varken solunum maskesi kullanılmamalıdır.



Bu ürün geçerli CE direktiflerine uygundur.



Uyarı: döner testere. Ellerinizi ve ayaklarınızı uzak tutun. Ok, dönme yönünü gösterir.



Makineyi kullanan kişi, çalışma esnasında kendisine insanların veya hayvanların 15 metreden daha fazla yaklaşmasına izin vermemelidir.



Her zaman onanmış koruyucu eldivenler kullanılmamalıdır.



Kaygan olmayan ve sağlam çizmeler kullanınız.



Vücudunuzun tüm bölümlerini sıcak yüzeylerden uzak tutun.



Testereyle çalışmaya başlarken sakın olmaya özen gösteriniz.

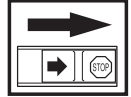


Çevreye verdiği gürültü emisyonları Avrupa Birliği'nin direktiflerine uygundur. Makinenin emisyonları Teknik bilgiler bölümünde ve etikette belirtilmiştir.



Makina üzerindeki diğer semboller/etiketler kimi pazarlarda onay almak için gerekli özel koşullarla ilgilidir.

Kontrol ve/veya bakım, motor durdurulduktan ve STOP durumuna getirildikten sonra yapılmalıdır.



Her zaman onanmış koruyucu eldivenler kullanılmamalıdır.



İÇİNDEKİLER

İçindekiler

SEMBOLLERİN AÇIKLANMASI

Semboller 202

İÇİNDEKİLER

İçindekiler 203

Başlamadan önce aşağıdaki konulara dikkat ediniz: 208

NE NEDİR?

Tohum ekim aparatında ne nedir? 204

GÜVENLİK AÇIKLAMALARI

Kişisel koruyucu araçlar 205

Makinenin güvenlik donanımı 205

Genel güvenlik açıklamaları 207

Genel çalışma açıklamaları 208

BAKIM

Bıçakları değiştirme 210

Bakım şeması 210

TEKNİK BİLGİLER

Teknik bilgiler 211

Uygunluk konusunda AB deklarasyonu 211

Başlamadan önce aşağıdaki konulara dikkat ediniz:

Husqvarna AB ürünlerini sürekli olarak geliştirmeye çalışmaktadır, bu yüzden ürünlerin biçim ve görünüşleri konusunda önceden haber vermeksizin değişiklik yapma hakkımız saklıdır.

Kesme işlemini yaparken uzun süre gürültüye maruz kalma, duyma bozukluğuna yol açabilir. Bu nedenle daima onaylanmış bulunan, gürültüye karşı koruma cihazı kullanınız.

Makineyi kullanmadan önce kullanım kılavuzunu iyice okuyarak içeriğini kavrayınız.

Bu talimatlar, makine ile birlikte verilen talimatları tamamlar. Diğer prosedürler için lütfen makinenin çalışma talimatlarına başvurun.



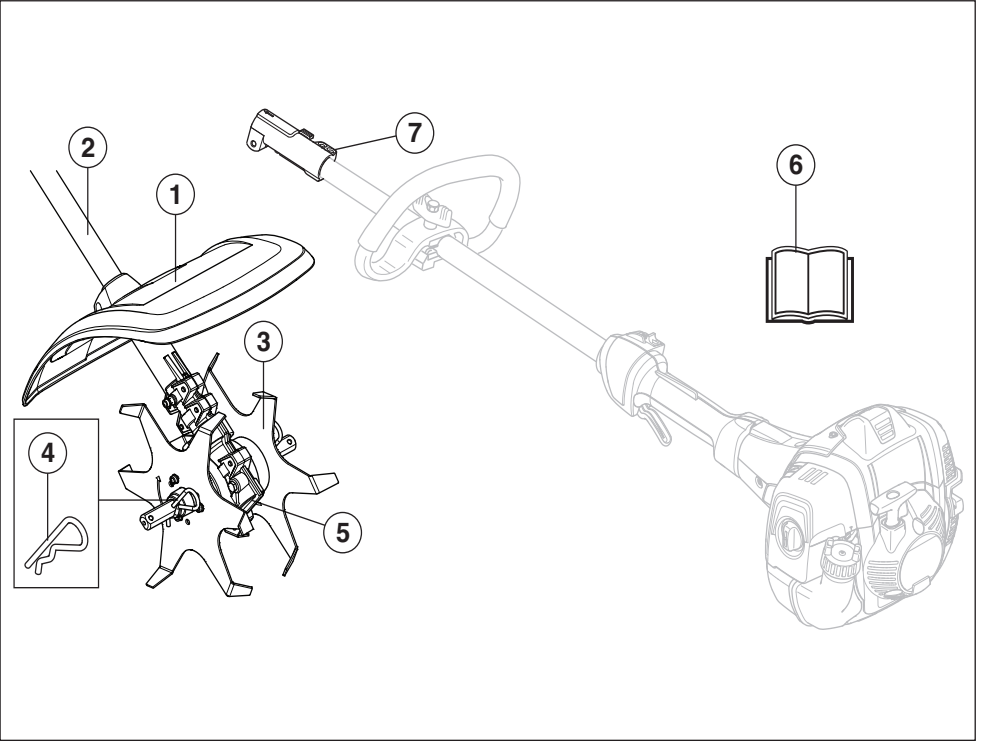
UYARI! İmalatçının izni olmaksızın makinenin orijinal yapısı hiçbir biçimde değiştirilemez. Her zaman orijinal yedek parça kullanılmalıdır. Yetkili olmayan kişiler tarafından yapılan değişiklikler ve/veya orijinal olmayan parçalar, kullanıcının yaralanmasına ya da ölümüne neden olabilir.



UYARI! Bu aksesuar sadece çalı trpanı/biçici ile kullanılmak üzere tasarlanmıştır. Makinenin Kullanım Kılavuzundaki Teknik veriler bölümünün “Onaylı aksesuarlar” başlıklı konusuna bakınız.

Makine yalnızca ekim işleri için tasarlanmıştır.

NE NEDİR?



Tohum ekim aparatında ne nedir?

- | | | | |
|---|------------------|---|-----------------------------------------|
| 1 | Bıçak koruyucusu | 5 | Dişli kovani |
| 2 | Teçhizat borusu | 6 | Kullanım kılavuzu |
| 3 | Bıçaklar | 7 | Bağlantı borusu (Temel makineye aittir) |
| 4 | Kopilya | | |

GÜVENLİK AÇIKLAMALARI

Kişisel koruyucu araçlar



UYARI! Makineyi her kullandığınızda, onaylanmış kişisel koruyucu araçlar kullanmalısınız. Kişisel koruyucu araçlar sakatlanma tehlikesini ortadan kaldırmazlar da, herhangi bir kazanın meydana gelmesi durumunda yaralanma derecesini azaltırlar. Uygun kişisel koruyucu araçlar seçmekte satıcınızın yardımını isteyiniz. Makineyi kullanmadan önce kullanım kılavuzunu iyice okuyarak içeriğini kavrayınız.

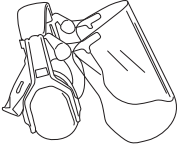


UYARI! Gürültüye karşı koruma cihazı kullanılırken, uyarı sinyallerine ve seslerine karşı daima dikkatli olunuz. Motor durdurulduktan hemen sonra, gürültüye karşı koruma cihazını çıkartınız.

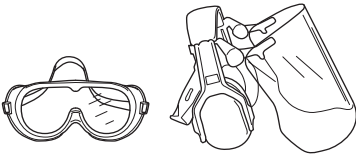
- Eldivenler ihtiyaç duyulduğu zaman kullanılabılır.



- Gürültüye karşı koruma cihazı, yeterli bir susturucu etkisi sağlıyorsa kullanılmalıdır.



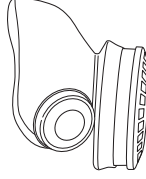
- Daima onaylanmış bulunan göz koruma cihazları kullanımlıdır. Miğferin ön parçasında kullanılan koruma gözlüğü de mutlaka onaylanmış olmalıdır. Koruma gözlüğünün onaylanmış olması demek, ABD'nin ANSI Z 87.1. standartları na veya AB ülkelerinin EN 166 standartları için aranan şartlara uygun olması anlamı na gelir. Fırlayan dallar veya nesnelere göze zarar verebilir.



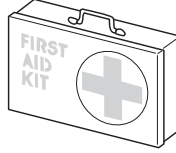
- Kaygan olmayan ve sağlam çizme kullanınız.



- Her zaman kalın, uzun pantolon; çizme, eldiven ve uzun kollu gömlek giyin. Döner parçalara çekilen nesnelere yaralanmaya neden olması riskini azaltmak için bol giysiler, eşarplar, takılar vb. eşyalar kullanmayın. Saçınız omuzlarınızdan aşağı inmeyecek şekilde toplayın.
- Toz riski varken solunum maskesi kullanılmalıdır.



- İlk yardım çantası her zaman kolay ulaşılabılır bir yerde olmalıdır.



Makinenin güvenlik donanımı

Bu bölümde, makinenin güvenlik donanımı konusunda ayrıntıların neler olduğu, bunların hangi işlevlere sahip bulunduğu ve doğru çalışıp çalışmadığına emin olmak için kontrol ve bakımının nasıl gerçekleştirileceği açıklanmaktadır. Bu teçhizatın makinenin neresinde olduğunu görmek için Ne nedir? bölümüne bakınız.

Makine doğru bir şekilde kullanılmaz ve gerekli onarımlar ve bakımlar yetkili servis ve bilirkişiler tarafından yapılmazsa, o taktirde makinenin ömrünün uzunluğu kısalabilir ve kaza riski artabilir. Eğer daha fazla bilgiye ihtiyaç duyuyorsanız, en yakın servis istasyonuna başvuruda bulununuz.

ÖNEMLİ! Makineyi her kullandığınızda, onaylanmış kişisel koruyucu araçlar kullanmalısınız. Kişisel koruyucu araçlar sakatlanma tehlikesini ortadan kaldırmazlar da, herhangi bir kazanın meydana gelmesi durumunda yaralanma derecesini azaltırlar. Uygun kişisel koruyucu araçlar seçmekte satıcınızın yardımını isteyiniz.



UYARI! Güvenlik teçhizatı işlemeyen bir makineyi asla kullanmayınız. Bu bölümde sıralanan denetim, bakım ve servis ile ilgili açıklamalara uyunuz.

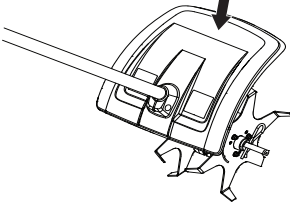
GÜVENLİK AÇIKLAMALARI

Kesme cihazlarının korunması



Bu tür bir koruma, çalışma esnasında kullanıcıya herhangi bir maddenin sıçramasını engeller. Koruma önlemi, aynı zamanda kullanıcının makineyle olan ilişkisini de engeller.

- Koruma bölümünün zarar görmemiş ve çatlamamış olduğunu kontrol ediniz.

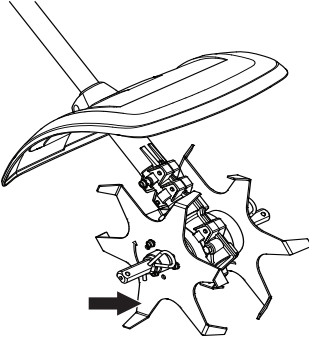


- Koruma kısmında herhangi bir darbe meydana gelmiş veya çatlamaya maruz kalma gibi bir durum oluşmuşsa hemen değiştiriniz.

Kesici gereçler



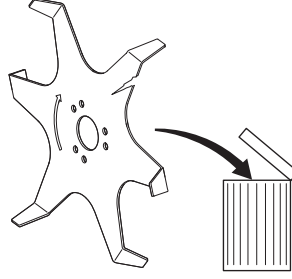
Çatal dişleri, ekim işlerinde ortaya çıkan yüklerle dayanacak şekilde tasarlanmış ve işlenmiştir.



İki temel kural:

- 1 Kesme Ataşmanlarını yalnızca önerdiğimiz siperliklerle kullanın!

- 2 Kesme cihazlarının zarar görüp görmediğini ve çatlama olup olmadığını kontrol ediniz. Zarar görmüş olan kesme cihazı daima değiştirilecektir.



UYARI! Aksesuarın herhangi bir parçası üzerinde işlem yapmadan önce her zaman motoru durdurun. Gaz bırakıldıktan sonra bile hareket etmeye devam edebilir. Aksesuar üzerinde herhangi bir işlem yapmadan önce aksesuarın tamamen durduğundan emin olun ve HT kablosunu bujiden çıkarın.



UYARI! Bozuk güvenlik gereçlerine sahip bir makineyi asla kullanmayınız. Bu bölümde belirtilen kontrolleri ve bakım önlemlerini uygulayınız. Makineniz bu denetimlerden herhangi birisinde takılırsa onarım için servis ajanınıza başvurunuz.

GÜVENLİK AÇIKLAMALARI

Genel güvenlik açıklamaları

ÖNEMLİ!

Makineyi sadece tasarlandığı amaç için kullanın. Makine yalnızca ekim işleri için tasarlanmıştır.

Yorgun ya da içkili iken ya da görüş, karar verme ve bedensel denetim yeteneklerinizi etkileyebilecek olan bir ilaç almışsanız makineyi asla kullanmayınız.

Kişisel koruyucu araçlar kullanınız. Kişisel koruyucu araçlar bölümüne bakınız.

Artık orijinal imalatına benzerliği kalmayacak biçimde yapısal değişikliğe uğratılmış bir makineyi asla kullanmayınız.

Makineyi aşırı derecede soğuk veya çok soğuk ve/veya nemli ortamlarda kullanmayınız.

Hiçbir zaman arızalı bir makineyi kullanmayın. Bu kılavuzda belirtilen güvenlik kontrolleri ile bakım ve servis talimatlarına uyun. Bazı bakım ve servis işlerinin sadece yetkili ve kalifiye teknisyenler tarafından yapılması gerekir. Bakım başlığı altındaki talimatlara bakın.



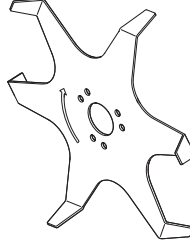
UYARI! Hatalı bıçaklar kaza olasılığını artırır.

- Hiçbir zaman makineyi çocukların kullanmasına izin vermeyin.
- Çalışırken hiç kimsenin 15 m'den fazla yaklaşmasına izin vermeyin.
- Kullanım kılavuzu içeriğini anladığından emin olmadan hiçbir kimsenin makineyi kullanmasına izin vermeyin.
- Ekim işleri yalnızca gün ışığında veya diğer iyi aydınlatmalı koşullarda yapılmalıdır.

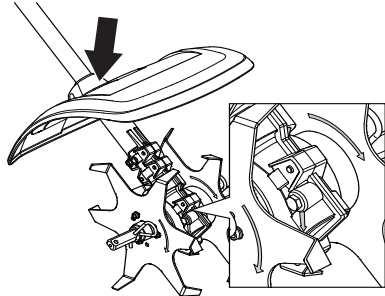
Çalışma öncesi güvenlik talimatları

- Çalışma alanını inceleyin. Taş, cam kırıkları, çelik tel, kordon, gibi atılmış olabilecek veya testere ya da testere korumasının çevresine dolaşabilecek tüm nesnelere uzaklaşın.
- Yetkisiz kişileri yaklaştırmayın. Çocuklar, hayvanlar, çalışanızı izleyenler ve yardımcı kişiler, 15 metrelik güvenlik bölgesinin dışında tutulmalıdır. Herhangi bir kimse yaklaşırsa makineyi derhal durdurun.
- Çalışmaya başlamadan önce makinenin tamamını kontrol edin. Hasarlı parçaları değiştirin. Yakıt sızıntısı olup olmadığını ve tüm korumaların ve kapakların tam ve sıkıca sabitlenmiş olup olmadığını kontrol edin. Tüm somunları ve vidaları kontrol edin.

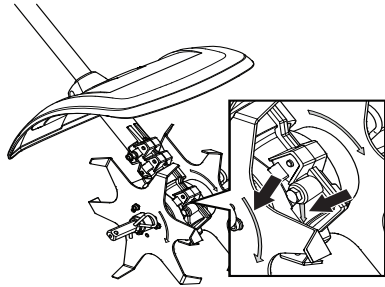
- Bıçakların hasarsız olduğunu ve çatlama veya benzeri hasar belirtisi göstermediğini kontrol edin. Gerekirse bıçakları değiştirin.



- Testere korumasının takılı olduğundan ve hasarlı olmadığından emin olun.



- Çatal dişlerinin ve çatal dişi korumasının doğru şekilde sabitlenmiş olup olmadığını kontrol edin. Dönme yönünün testere ve dişle aynı olduğundan emin olun. Oklar aynı yöne bakmalıdır.



- Motor boşta çalıştığı sırada bıçakların hareket etmediğini kontrol edin.
- Gidonun ve güvenlik aparatlarının sağlam olduğundan emin olun. Eksik parçası olan veya parçaları teknik özelliklere uygun olarak değiştirilmiş bir makineyi asla kullanmayın.
- Makineyi sadece tasarlandığı amaç için kullanın.

Soğuk makineyi çalıştırırken:

- Temel makine ısıtma işlemini gerçekleştirin, ardından makineyi kapatın.
- Aksesuarı montaj talimatlarına uygun şekilde monte edin.

GÜVENLİK AÇIKLAMALARI

Genel çalışma açıklamaları

ÖNEMLİ!

Bu bölüm, kültivatörün kullanımıyla ilgili temel güvenlik önlemlerini açıklamaktadır.

Cihazın kullanılması esnasında, emin olmadığınız herhangi bir durumla karşılaşırsanız bir bilirkişiye danışınız. Bu durumda satıcıyla veya servisinizle temasa geçiniz.

Yeterli derecede kaliteli olmayan ve çok zor ustalık gerektiren ürünleri kullanmaktan kaçınınız.

Temel güvenlik kuralları



Çevrenize dikkat ediniz:

- İnsan, hayvan ya da başka birşeyin, makine üzerindeki denetiminizi engelleyemeyeceğinden emin olunuz.
 - İnsanların, hayvanların veya diğerlerinin yola bırakılan kesici cihazlarla temasının önlenmesi için, daima dikkatli olunuz.
 - **DİKKAT!** Herhangi bir kaza durumunda, yardım olmadan asla bir daha makineyi çalıştırmayınız.
- 1 Kötü hava koşullarında çalışmaktan kaçınınız. Örneğin yoğun sis, kaygan zemin, ağacın düşme yönünü etkileyecek hava koşulları v.b. Kötü havalarda çalışmak yorucu olur ve tehlikeli durumlar oluşturabilir, örneğin, kaygan zemin.
 - 2 Hareket edebilme ve ayakta durabilme olanağınızın olmasına özen gösteriniz. Olası engellere (kök, taş, dal, çukur v.b.) dikkat ediniz. Kapalı bir arazide çalışırken çok dikkatli olunuz.



- 3 Makinenin yanından ayrılmak veya makinenin taşınması durumunda motor mutlaka durdurulmalıdır.
- 4 Makinenin motorunu, kullanmadığınız zaman ve yanında bulunmadığınız zaman çalışır vaziyette bırakmayınız.
- 5 Kesme aleti çalışırken operatörden uzak tutulmalıdır. Ciddi yaralanmalara yol açabileceği için alet asla operatöre doğru tutulmamalıdır.

Çalışma tekniğinin temeli



- Her zaman güvenli ve sağlam bir çalışma pozisyonunda olduğunuzdan emin olun.
- Makineyi her zaman iki elinizle tutun. Makineyi vücudunuzun sağ tarafında tutun.



- Motor çalışırken ellerinizi ve ayaklarınızı testereye yaklaştırmayın.



- Çatal dişlerini her zaman yere yakın tutun.
- Her çalıştırmadan sonra motorun rölanlı hızına düşmesini sağlayın. Tam gazda, motora hiç yük binmeden (yani makineyi kullandığımızda kesme donanımının motora uyguladığı direnç olmadan) geçirilen uzun süreler, motorun ciddi biçimde hasar görmesine neden olabilir.
- Çalışma sırasında kültivatörü kendinize doğru çekerken çok dikkatli olun.
- Şiddetli titreşim olursa makineyi durdurun. HT kablosunu bujiden sökün. Makinenin hasarlı olup olmadığını kontrol edin. Hasarları tamir edin.



UYARI! Çimen ve taşlar bazen çatal dişlerine takılabilir. Temizlik yaparken her zaman motoru durdurun.

GÜVENLİK AÇIKLAMALARI



UYARI! Makinenin fırlatıp attığı maddelere dikkat ediniz. Daima göz koruyucu (gözlük) kullanınız. Kesilecek olan maddelerin üzerinde durmayınız veya bu tür maddelere yaslanmayınız. Örn: taşlar, çöpler vb. bu tür maddeler göze kaçabilir ve körlüğe veya ciddi bir şekilde yaralanmalara neden olabilir.

Yetkili olmayan kişileri kesim alanının dışında tutunuz. Çocukları, hayvanları, kesimi izleyen izleyicileri ve kesime yardımcı olan kişileri, kesim esnasında güvenlik bölgesinin 15 metre uzağında tutunuz. Herhangi bir kişi makineye yaklaştığında, hemen makineyi durdurunuz.

Kullanım sırasında dişli ısınabilir ve kullanımdan sonra bir süre sıcak kalabilir. Dokunursanız yanabilirsiniz.

İşin bitirilmesinden sonraki güvenlik talimatları

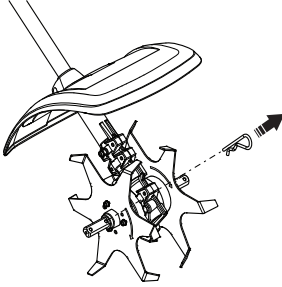


- Temizlemeden, onarımdan veya kontrolden önce kesme donanımının durduğundan emin olun. Buji kablosunu bujiden çıkarın.
- Kültivatörü tamir ederken ağır hizmet tipi iş eldivenleri giyin.
- Onarım için yalnızca orijinal yedek parçalar kullanın.
- Makineyi çocukların ulaşamayacağı bir yerde saklayın.

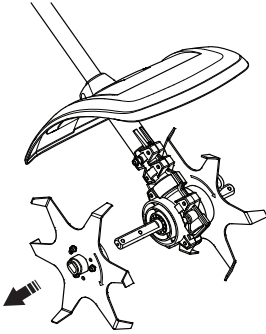
Bıçakları değiştirme



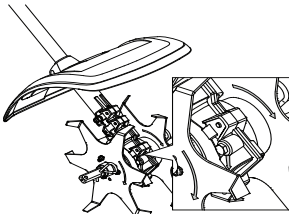
Kopilyayı gevşetin.



Testere grubunu dişli kovanının çıkış aksından çıkarın.



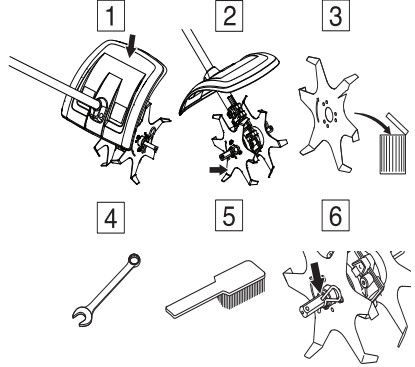
Testere grubunu dişli kovanının çıkış aksına takın. Dönme yönünün testerelede ve dişlide aynı olduğundan emin olun. Oklar aynı yöne bakmalıdır.



Bakım şeması

Aşağıda, genel bakım konusunda bazı açıklamalar bulunmaktadır. Daha fazla bilgiye gereksinim duyuyorsanız o taktirde servisimizle görüşünüz.

Günlük bakım



- 1 Koruma bölümünün zarar görmemiş olduğundan ve çatlaklı veya delinmemiş olduğundan emin olunuz. Koruma bölümünde çatlaklar ve yarıklar meydana gelmişse hemen değiştiriniz.
- 2 Motor boşta çalıştığı sırada bıçakların hareket etmediğini kontrol edin.
- 3 Bıçakların hasarsız olduğunu ve çatlama veya benzeri hasar belirtisi göstermediğini kontrol edin. Gerekirse bıçakları değiştirin.
- 4 Vidaların ve somunların sıkışma durumlarını denetleyiniz.
- 5 Makinenin dış kısmını temizleyin.
- 6 Kopilyaların ve kamaların hasarsız ve doğru şekilde sabitlenmiş olup olmadığını kontrol edin.

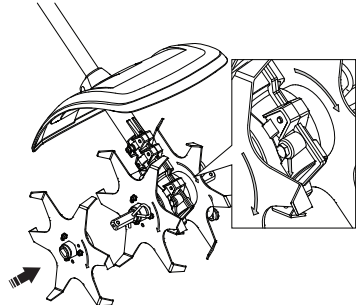
Taşıma ve saklama

- Makineyi başka bir araç üzerinde taşıyorsanız daima onaylı sabitleme cihazlarını kullanın ve makinenin güvenli şekilde tutulduğundan emin olun.
- Makinenin iyice temizlenmiş olmasına ve onu uzun süreli koruma altına almadan önce tümüyle yetkili servisin denetiminden geçmiş olmasına özen gösteriniz.

İsteğe bağlı aksesuarlar

2 terele

Testere grubunu dişli kovanının çıkış aksına takın. Dönme yönünün testerelede ve dişlide aynı olduğundan emin olun. Oklar aynı yöne bakmalıdır.



TEKNİK BİLGİLER

Teknik bilgiler

Teknik bilgiler CA230

Ağırlık

Ağırlık 2,9

2 testere 2,8

4 testere (aksesuar) 3,7

Boyutlar, mm

2 testere 140

4 testere (aksesuar) 235

Gürültü emisyonları

(1 nolu dipnota bakınız)

Ses gücü düzeyi, ölçülmüş dB(A) 105

Ses gücü düzeyi, garantili L_{WA} dB(A) 109

Ses düzeyi

(2 nolu dipnota bakınız)

Kullanıcının kulağına gelen ses basıncının karşılığı ölçülmüş ve EN ISO 22868, dB(A) olarak uygunluğu tespit edilmiştir.

Onaylı aksesuarla (orijinal) donatılmış 92,4

Titreşimler

(3 nolu dipnota bakınız)

EN ISO 22867 doğrultusunda, kulplarda ölçülen denk vibrasyon düzeyleri ($a_{hv,eq}$): m/sn^2

Onaylı aksesuarla (orijinal) donatılmış, sol/sağ 4,2/6,1

Not 1: Çevreye verilen gürültü emisyonu AB direktifi 2000/14/EC uyarınca ses gücü (L_{WA}) olarak ölçülmüştür. Makine için bildirilen ses gücü düzeyi, en yüksek düzeyi veren orijinal kesme ataşmanı ile ölçülmüştür. Garanti edilen ve ölçülen ses gücü arasındaki fark, garantili ses gücünün, 2000/14/AT Sayılı Direktif doğrultusunda, ölçüm sonucundaki dağılımı ve aynı modelden farklı makineler arasındaki değişimleri de içermesidir.

Not 2: Makinenin denk gürültü basınç düzeyi için bildirilen verilerdeki tipik istatistik dağılımı (standart sapma) 1 dB (A) şeklindedir.

Not 3: Denk vibrasyon düzeyi için bildirilen verilerin tipik istatistik dağılımı (standart sapması) 1 m/sn^2 şeklindedir.

CA230		
Onaylı aksesuarlar	Tip	Koruma
Kültivatör kesici	4 bıçaklı	

Uygunluk konusunda AB deklarasyonu (Sadece Avrupa için geçerlidir)

Husqvarna AB, SE-561 82 Huskvarna, İsveç, tel: +46-36-146500, **Husqvarna/Jonsered CA230** kültivatör ataşmanının KONSEY DİREKTİFİ gereksinimleri ile uyumlu olduğunu beyan eder:

- 17 Mayıs 2006 tarihli, "makinelerle ilgili", **2006/42/EC**.

Uygulanan standartlar: ISO 11449:1994

SMP Svensk Maskinprovning AB, Box 7035, SE-750 07 Uppsala, İsveç, Husqvarna AB adına gönüllü sınamayı gerçekleştirmiştir. Sertifikaların numaraları: **SEC/14/2415**

Huskvarna, 20 Nisan 2015



Per Gustafsson, Geliştirme müdürü (Husqvarna AB yetkili temsilcisi ve teknik dokümantasyon sorumlusu.)

ПОЯСНЕНИЕ СИМВОЛОВ

Условные обозначения

ПРЕДУПРЕЖДЕНИЕ!

При неправильной или небрежной эксплуатации культиватор может быть опасным инструментом, который может причинить серьезные повреждения или травму со смертельным исходом для оператора или для других лиц. Чрезвычайно важно, чтобы Вы прочитали настоящее Руководство и поняли его содержание.



Прежде чем приступить к работе с машиной внимательно прочитайте инструкцию и убедитесь, что Вам все понятно.



Всегда используйте:

- Специальные шумозащитные наушники
- Защитные очки или маску
- При риске пыли, пользуйтесь респиратором.



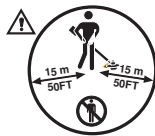
Эта продукция отвечает требованиям соответствующих нормативов ЕС.



Внимание: вращающиеся режущие части. Держите руки и ноги на безопасном расстоянии. Стрелка указывает направление вращения.



Пользователь машины должен убедиться в том, что в радиусе 15 м во время работы нет людей или животных.



Пользуйтесь специальными защитными перчатками.



Пользуйтесь не скользящими и устойчивыми сапогами.



Не работайте вблизи горячих поверхностей.



Берегитесь отскакивающих предметов и рикошетов.

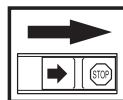


Эмиссия шума в окружающую среду согласно Директиве Европейского Сообщества. Эмиссия машины приведена в главе 'Технические характеристики' и на табличке.



Другие символы/наклейки на машине относятся к специальным требованиям сертификации на определенных рынках.

Проверка и/или обслуживание должны выполняться только при выключенном двигателе, когда кнопка остановки находится в положении STOP.



Пользуйтесь специальными защитными перчатками.



СОДЕРЖАНИЕ

Содержание

ПОЯСНЕНИЕ СИМВОЛОВ	
Условные обозначения	212
СОДЕРЖАНИЕ	
Содержание	213
Перед запуском проследите за следующим:	213
ЧТО ЕСТЬ ЧТО?	
Что есть что на моторной пиле?	214
ИНСТРУКЦИЯ ПО ТЕХНИКЕ БЕЗОПАСНОСТИ	
Средства защиты оператора	215
Устройства безопасности машины	215
Общие меры безопасности	217
Общие рабочие инструкции	218
ТЕХНИЧЕСКОЕ ОБСЛУЖИВАНИЕ	
Замена лезвий	220
График технического обслуживания	220
ТЕХНИЧЕСКИЕ ХАРАКТЕРИСТИКИ	
Технические характеристики	222
Гарантия ЕС о соответствии	222

Перед запуском проследите за следующим:

Husqvarna AB постоянно работает над разработкой своих изделий и поэтому оставляет за собой право на внесение изменений в форму и внешний вид без предварительных предупреждений.

Продолжительное воздействие шума дает неизлечимое ухудшение слуха. Всегда пользуйтесь, поэтому, специальными наушниками.

Прежде чем приступить к работе с машиной внимательно прочитайте инструкцию и убедитесь, что Вам все понятно.

Правила пользования инструментом описаны в соответствующей инструкции к данному инструменту.



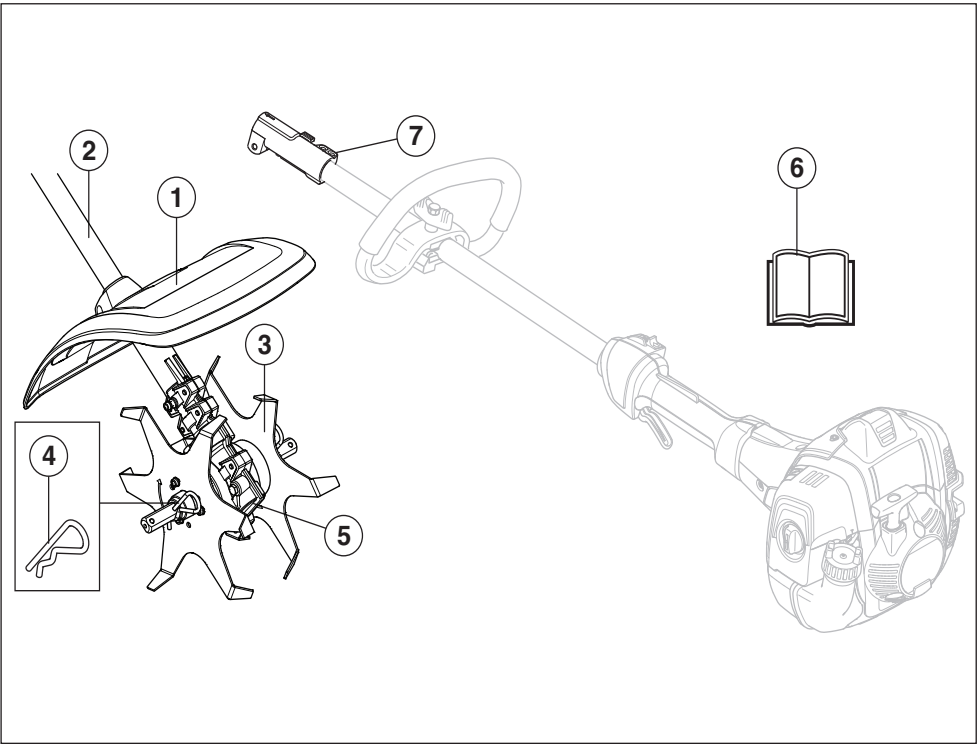
ПРЕДУПРЕЖДЕНИЕ! Ни при каких обстоятельствах не допускается внесение изменений в первоначальную конструкцию машины без разрешения изготовителя. Пользуйтесь только оригинальными запчастями. Внесение неразрешенных изменений и/или использование неразрешенных приспособлений может привести к серьезной травме или даже к смертельному исходу для оператора или других лиц.



ПРЕДУПРЕЖДЕНИЕ! Този тип принадлежност се използва само с предвидените за него триони/тримери, виж ЛУ твърдени спомагателни приспособления в раздел ЛТехнически данни в Ръководството за експлоатация към машината.

Машина предназначена только для триммерной стрижки.

ЧТО ЕСТЬ ЧТО?



Что есть что на моторной пиле?

- | | |
|---------------|------------------------------------------------------|
| 1 Щит ножа | 5 Картер редуктора |
| 2 Трубка вала | 6 Руководство по эксплуатации |
| 3 Ножи | 7 Сочленение вала (Относится к основному устройству) |
| 4 Шплинт | |

ИНСТРУКЦИЯ ПО ТЕХНИКЕ БЕЗОПАСНОСТИ

Средства защиты оператора



ПРЕДУПРЕЖДЕНИЕ! Во время работы с машиной вы должны использовать специальные одобренные средства защиты. Средства личной защиты не могут полностью исключить риск получения травмы, но при несчастном случае они снижают тяжесть травмы. Обращайтесь за помощью к дилеру при подборе средств защиты. Прежде чем приступить к работе с машиной внимательно прочитайте инструкцию и убедитесь, что Вам все понятно.



ПРЕДУПРЕЖДЕНИЕ! Всегда следите за предупреждающими сигналами или криком, когда пользуетесь защитными наушниками. Снимайте наушники сразу же после того, как будет остановлен двигатель.

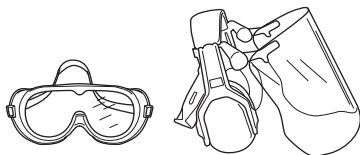
- В случае необходимости, например, для сборки режущего оборудования.



- Следует пользоваться защитными наушниками с достаточным заглушающим эффектом.



- Следует всегда пользоваться одобренными защитными очками. При пользовании визиром следует пользоваться также одобренными защитными очками. Под одобренными защитными очками подразумеваются очки, отвечающие нормативам ANSI 387.1 для США или EN 166 для стран ЕН. Обломки веток или другие отбрасываемые в сторону предметы могут повредить глаза.

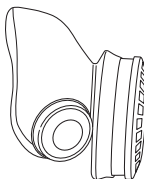


- Пользуйтесь не скользящими и устойчивыми сапогами.



- Каждый раз надевайте плотные, длинные брюки, ботинки, перчатки и рубашку с длинными рукавами. Для снижения риска травмирования, связанного с затягиванием предметов вращающимися частями, запрещается надевать свободную одежду, шарфы, украшения и т.д. Зафиксируйте волосы, чтобы они находились выше уровня плеч.

- При риске пыли, пользуйтесь респиратором.



- Всегда имейте при себе аптечку для оказания первой медицинской помощи.



Устройства безопасности машины

В данном разделе рассматриваются различные защитные приспособления машины, их работа, и приведены основные принципы и правила, которые необходимо соблюдать для обеспечения безопасной работы. Для того чтобы найти, где расположены элементы и механизмы машины, см. раздел «Что есть что?».

Срок службы машины может быть укорочен и риск аварии увеличен, если обслуживание машины не выполняется правильным образом и если сервис и/или ремонт не были выполнены профессионально. Если вам требуется дополнительная информация, обратитесь в ближайшую мастерскую по обслуживанию.

ИНСТРУКЦИЯ ПО ТЕХНИКЕ БЕЗОПАСНОСТИ

ВАЖНО! Во время работы с машиной вы должны использовать специальные одобренные средства защиты. Средства личной защиты не могут полностью исключить риск получения травмы, но при несчастном случае они снижают тяжесть травмы. Обращайтесь за помощью к дилеру при подборе средств защиты.



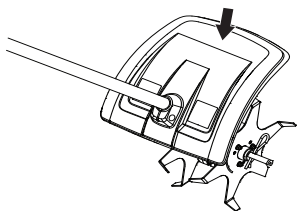
ПРЕДУПРЕЖДЕНИЕ! Никогда не пользуйтесь машиной с дефектными элементами защиты. Постоянно проводите проверку, уход и обслуживание инструмента в соответствии с правилами, приведенными в данном разделе.

Защита режущего оборудования



Эта защита предназначена для того, чтобы не допустить отбрасывания предметов в направлении пользователя. Защита предназначена также для защиты пользователя от случайного соприкосновения с режущим оборудованием.

- Убедитесь, что на защите отсутствуют повреждения и трещины.

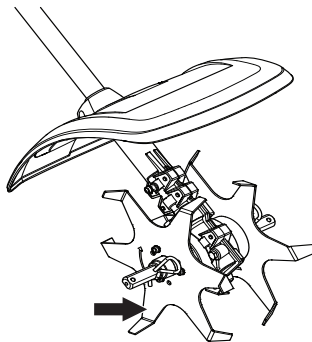


- Заменить защиту, если она была подвержена удару или растрескалась.

Режущее оборудование

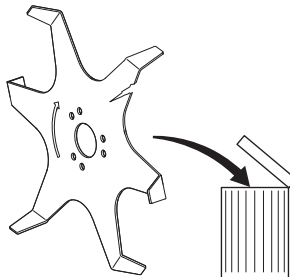


Лапы спроектированы и изготовлены с учетом нагрузок, возникающих при культивации.



Два основных правила:

- 1 Пользуйтесь режущим оборудованием только с рекомендованной защитой!
- 2 Проверьте режущее оборудование на наличие повреждений или трещин. Поврежденное режущее оборудование следует обязательно заменить.



ПРЕДУПРЕЖДЕНИЕ! Всегда останавливайте двигатель перед тем, как приступать к работе с какой-либо частью насадки. Он может продолжать вращаться даже после отпускания рычага дросселя. Удостоверьтесь в том, что насадка остановилась полностью, и отсоедините провода высокого напряжения от свечи зажигания, прежде чем приступать к работе с ней.

ИНСТРУКЦИЯ ПО ТЕХНИКЕ БЕЗОПАСНОСТИ



ПРЕДУПРЕЖДЕНИЕ! Никогда не работайте с машиной с неисправными элементами оборудования.
Производите проверку и выполняйте все меры по обслуживанию, описанные в данном разделе. Если в результате этих проверок будут обнаружены неисправности, немедленно вызовите специалиста для ремонта.

Общие меры безопасности

ВАЖНО!

Пользуйтесь машиной только по назначению. Машина предназначена только для триммерной стрижки.

Никогда не работайте с машиной если вы устали, выпили алкоголь, или принимаете лекарства, воздействующие на зрение, реакцию или координацию.

Пользуйтесь средствами индивидуальной защиты. См. раздел 'Средства защиты пользователя'.

Никогда не работайте машиной, которая была модифицирована по сравнению с первоначальным вариантом.

Никогда не пользуйтесь машиной в экстремальных климатических условиях, как напр. трескучий мороз или большая жара, и/или в влажном климате.

Никогда не эксплуатируйте дефектную машину. Проводите регулярные проверки средств защиты, уход и обслуживание в соответствии с данным руководством. Некоторые операции по уходу и обслуживанию должны выполняться только квалифицированными специалистами. См. указания в разделе 'Техническое обслуживание'.

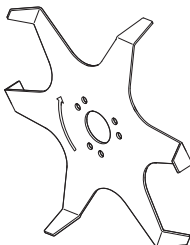


ПРЕДУПРЕЖДЕНИЕ! Неправильные ножи могут привести к несчастному случаю.

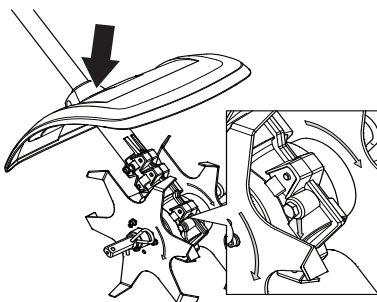
- Никогда не разрешайте детям пользоваться машиной.
- Следите за тем, чтобы во время работы на расстоянии 15 м рядом никого не было.
- Не допускайте к пользованию машиной посторонних лиц, не убедившись в начале в том, что они поняли содержание инструкции.
- Культивацию следует осуществлять только в светлое время суток или при хорошем освещении.

Инструкции по технике безопасности перед началом работы

- Осмотрите участок работы. Уберите все свободно лежащие предметы: камни, осколки стекла, гвозди, стальную проволоку, веревки и т.п., которые могут быть отброшены или могут замататься за нож или за щиток ножа.
- В зоне работы не должны находиться посторонние. Дети, животные, зрители и помощники должны быть вне зоны работы на расстоянии более 15 м. Если кто-либо приближается к вам во время работы, немедленно остановите машину.
- Перед началом работы проверьте машину. Замените поврежденные детали. Убедитесь, что нет утечки топлива и что все щитки и крышки находятся на месте. Проверить все болты и гайки.
- Проверьте, чтобы ножи не были повреждены, и чтобы на них не было трещин или других повреждений. Замените ножи в случае необходимости.

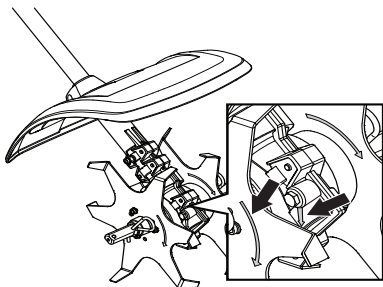


- Убедиться в том, что щиток ножа установлен и не поврежден.



ИНСТРУКЦИЯ ПО ТЕХНИКЕ БЕЗОПАСНОСТИ

- Убедиться в том, что нож и щиток ножа правильно закреплены. Убедитесь, что направление вращения, указанное стрелкой на редукторе, совпадает с направлением вращения ножей. Стрелки должны указывать в одном направлении.



- Проверьте, чтобы ножи не двигались на холостых оборотах.
- Убедитесь в том, что рукоятка и предохранительные элементы исправны. Запрещается пользоваться машиной, на которой отсутствуют детали или изменена спецификация.
- Пользуйтесь машиной только по назначению.

При холодном запуске:

- Прогрейте двигатель основного устройства, затем выключите его.
- Установите насадку в соответствии с инструкциями по сборке.

Общие рабочие инструкции

ВАЖНО!

В этом разделе описаны основные правила техники безопасности при работе с культиватором.

Если вы окажетесь в ситуации, в которой вы почувствуете неуверенность, остановитесь и запросите совет специалиста. Свяжитесь с вашим дилером или мастерской по обслуживанию.

Не пытайтесь решить какую-либо задачу, если вы считаете, что она находится за пределами ваших возможностей.

Основные правила безопасности



Оглянитесь вокруг:

- Проверьте, чтобы поблизости не было людей, животных или других объектов, которые могут повлиять на вашу работу.
 - Чтобы удостовериться, что никто не сможет оказаться в соприкосновении с режущим оборудованием или предметами, которые могут отбрасываться режущим оборудованием при работе.
 - Обратите внимание! Никогда не пользуйтесь машиной в ситуации, при которой вы не сможете позвать на помощь при несчастном случае.
- 1 Не эксплуатируйте машину в плохих погодных условиях, таких, как густой туман, сильный дождь, порывистый ветер, сильный холод и т.д. Эксплуатация машины при плохой погоде утомительна и может привести к возникновению опасных ситуаций, например, из-за скользких поверхностей.
 - 2 Убедитесь, что вам возможно стоять стабильно. Проверьте, нет ли вокруг вас возможных помех и препятствий (корней, камней, веток, ям и т.д.) если вам вдруг будет нужно быстро переместиться. Будьте особенно внимательны при работе в склоне.



- 3 При перемещении, двигатель должен быть выключен.
- 4 Не следует опускать машину на землю при работающем двигателе, за исключением случаев, когда он хорошо виден.
- 5 Режущим инструментом следует действовать в направлении от оператора. Оператору запрещается перемещать инструмент по направлению к себе, это может привести к тяжелым травмам.

ИНСТРУКЦИЯ ПО ТЕХНИКЕ БЕЗОПАСНОСТИ

Основные принципы работы



- Вы всегда должны находиться в надежном и устойчивом рабочем положении.
- Всегда держите машину обеими руками. Держите машину с правой стороны от себя.



- Следите за тем, чтобы, руки и ноги не попали в нож при работающем двигателе.



- Всегда держите нож близко к земле.
- После каждой рабочей операции следует снижать скорость до холостого хода. Слишком длительная работа двигателя при полностью открытом дросселе без нагрузки (без сопротивления, которое двигатель испытывает от работающей машины) может вызвать серьезное повреждение двигателя.
- Будьте особо внимательны при передвижении культиватора во время работы в свою сторону.
- В случае сильной вибрации выключите машину. Снимите свечной кабель со свечи зажигания. Проверьте машину на наличие повреждений. Устраните возможные повреждения.



ПРЕДУПРЕЖДЕНИЕ! Иногда в щит ножа забивается трава или камни. Всегда остановите двигатель при чистке.



ПРЕДУПРЕЖДЕНИЕ! Остерегайтесь выбрасываемых предметов. Пользуйтесь всегда защитными очками. Не наклоняйтесь над защитой режущего оборудования. Камни, мусор и др. могут попасть в глаза, что может привести к слепоте и другими серьезными травмами.

В зоне работы не должны находиться посторонние. Дети, животные, зрители и помощники должны быть вне зоны работы на расстоянии более 15 м. Если кто-либо приближается к вам во время работы, немедленно остановите машину.

Редуктор может нагреться во время работы и оставаться горячим некоторое время. Это создает риск получения ожога при контакте.

Инструкции по технике безопасности после завершения работы

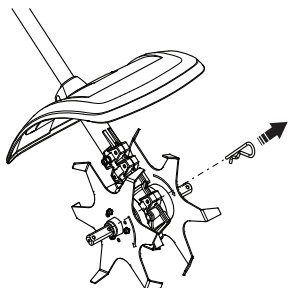


- Перед чисткой, ремонтом или проверкой, убедитесь в том, что режущее оборудование остановилось. Снимите свечной кабель со свечи.
- При ремонте обрезачной насадки следует одевать плотные перчатки.
- Для ремонта используйте только детали завода изготовителя.
- Храните машину в недоступном для детей месте.

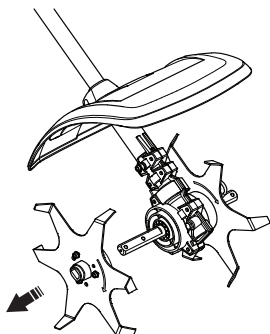
Замена лезвий



Ослабьте шплинт.



Снимите режущий узел с выходного вала в корпусе редуктора.



Установите режущий узел на выходной вал в корпусе редуктора. Убедитесь, что направление вращения, указанное стрелкой на редукторе, совпадает с направлением вращения ножей. Стрелки должны указывать в одном направлении.

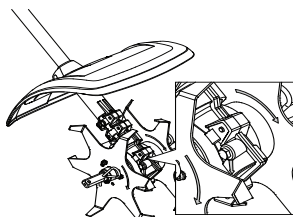
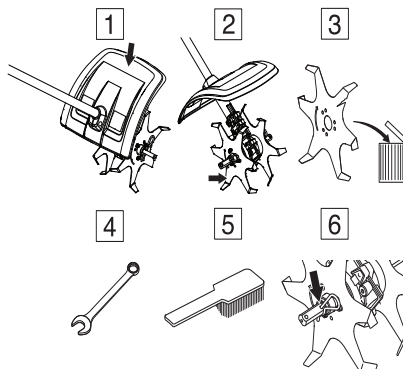


График технического обслуживания

Ниже приводятся некоторые общие инструкции по регламентному обслуживанию. Если вам требуется дополнительная информация, обратитесь в вашу мастерскую по обслуживанию.

Ежедневное обслуживание



- 1 Проверьте, чтобы защита не была повреждена и чтобы на ней не было трещин. Замените защиту, если она была подвержена удару или если на ней есть трещины.
- 2 Проверьте, чтобы ножи не двигались на холостых оборотах.
- 3 Проверьте, чтобы ножи не были повреждены, и чтобы на них не было трещин или других повреждений. Замените ножи в случае необходимости.
- 4 Проверьте затяжку гаек и болтов и подтяните в случае необходимости.
- 5 Очистите инструмент снаружи.
- 6 Убедитесь, что шплинт и шпилька целы и надежно закреплены.

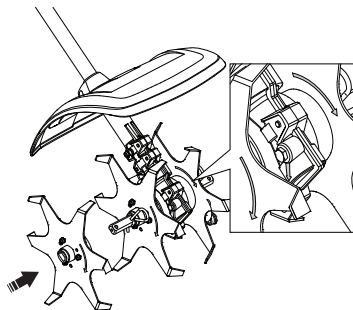
Транспортировка и хранение

- При перевозке газонокосилки на другом транспортном средстве всегда пользуйтесь разрешенными к применению креплениями. Проверьте, хорошо ли закреплена газонокосилка.
- Следите за тем, чтобы машина была хорошо очищенной, и чтобы перед ее продолжительным хранением было выполнено полное обслуживание.

Дополнительные принадлежности

2х режущих узла

Установите режущий узел на выходной вал в корпусе редуктора. Убедитесь, что направление вращения, указанное стрелкой на редукторе, совпадает с направлением вращения ножей. Стрелки должны указывать в одном направлении.



ТЕХНИЧЕСКИЕ ХАРАКТЕРИСТИКИ

Технические характеристики

Технические характеристики	CA230
Вес	
Вес, кг	2,9
2х режущих узла	2,8
4х режущих узла (насадка)	3,7
Размеры, мм	
2х режущих узла	140
4х режущих узла (насадка)	235
Эмиссия шума (См. прим.1)	
Уровень шума, измеренный дБ(А)	105
Уровень шума, гарантированный L_{WA} дБ(А)	109
Уровни шума (См. Примечание 2)	
Уровень шумового давления на уровне уха пользователя измерен согласно EN/ИСО 22868, дБ(А)	
С соответствующим оборудованием (оригинальным)	92,4
Вибрация (См. Примечание 3)	
Уровень вибрации ($a_{hv,eq}$) на ручках измерен согласно EN ISO 22867 в m/c^2 .	
С соответствующим оборудованием (оригинальным), левым/правым	4,2/6,1

Примечание 1: Эмиссия шума в окружающую среду измеряется как шумовой эффект (L_{WA}) согласно Директиве ЕС 2000/14/EG. Указанный уровень шума для машины измерен с оригинальным режущим оборудованием, дающим наивысший уровень. Разница между гарантированным и измеренным уровнем шума в том, что гарантированный уровень шума также включает разброс результатов измерений и вариации между машинами одной и той же модели, согласно директиве 2000/14/ЕС.

Примечание 2: Указанные данные об эквивалентном уровне шумового давления для машины имеют типичный статистический разброс (стандартное отклонение) 1 дБ (А).

Примечание 3: Указанные данные об эквивалентном уровне вибрации имеют типичный статистический разброс (стандартное отклонение) 1 m/c^2 .

CA230		
Соответствующее дополнительное оборудование	Тип	Щиток
Резчик культиватора	4х ножа	

Гарантия ЕС о соответствии (Только для Европы)

Мы, компания Husqvarna AB, SE-561 82 Huskvarna, Швеция, тел.: +46-36-146500, настоящим заявляем, что насадка-культиватор Husqvarna/Jonsered CA230 соответствует требованиям ДИРЕКТИВЫ СОВЕТА:

- от 17 мая 2006 года, "о машинах и механизмах" 2006/42/ЕС.

Были использованы следующие стандарты: ISO 11449:1994

Испытательной лабораторией механических машин с адресом СМП Сженск Маскинпрожнинг АБ, Box 7035, SE-750 07, SE-750 07 Уппсала, по просьбе компании Хусьярна АБ была осуществлена проверка изделия. Сертификатам присвоен номер: SEC/14/2415

Husqvarna, 20 апреля 2015 года

Per Gustafsson, Начальник отдела развития

(Уполномоченный представитель Husqvarna AB и ответственный за техническую документацию.)

ОБЯСНЕНИЕ НА УСЛОВНИТЕ ОБОЗНАЧЕНИЯ

Условни обозначения

ПРЕДУПРЕЖДЕНИЕ!

Култиватор, с който се работи неправилно или безотговорно, е опасен инструмент, който може да причини тежко или смъртоносно нараняване на оператора или хората около него. Изключително важно е да прочетете внимателно това ръководство за експлоатация.

Преди да започнете работа с машината прочетете внимателно ръководството за експлоатация и се убедете, че го разбирате правилно.

Необходимо е винаги да използвате:

- Одобрени антифони
- Защитни очила или маска
- Когато има опасност от вдигане на прах, следва да се носи предпазна маска.

Тази продукт отговаря на изискванията на валидните ЕО директиви.

Предупреждение: въртящ се резец. Осигурете пространство около ръцете и краката си. Стрелката сочи посоката на въртене.

По време на работа, операторът на машината трябва да внимава хора или животни да не се приближават на по-малко от 15 м.

Носете винаги одобрени защитни ръкавици.

Използвайте устойчиви и нехлъзгащи се ботуши.



Пазете всички части на тялото си далеч от горещите повърхности.



Пазете се от отскачащи предмети и рикошети.

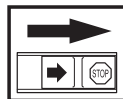


Шумови емисии в околната среда съгласно директивата на Европейската Общност. Емисията от машината е посочена в раздел Технически характеристики и върху лепенката.

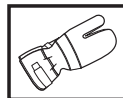


Останалите символи/лепенки със символи, обозначени или поставени на машината, се отнасят до специфични изисквания по отношение на сертификати за определени пазари.

Редовните прегледи и/или поддръжката се извършва при изключен двигател с прекъсвача в положение СТОП.



Носете винаги одобрени защитни ръкавици.



СЪДЪРЖАНИЕ

Съдържание

ОБЯСНЕНИЕ НА УСЛОВНИТЕ ОБОЗНАЧЕНИЯ	
Условни обозначения	223
СЪДЪРЖАНИЕ	
Съдържание	22 4
Преди стартиране обърнете внимание на следното:	22 4
КАКВО - КЪДЕ?	
Кое какво е на култиватора?	22 5
ИНСТРУКЦИИ ПО ТЕХНИКАТА ЗА БЕЗОПАСНОСТ	
Лична защитна екипировка	22 6
Защитното оборудване на машината	22 6
Основни предпазни мерки по техниката за безопасност	228
Основни указания за работа	229
ПОДДРЪЖКА	
Подмяна на дисковете	231
Техническо обслужване	231
ТЕХНИЧЕСКИ ХАРАКТЕРИСТИКИ	
Технически характеристики	233
ЕО-уверение за съответствие	233

Преди стартиране обърнете внимание на следното:

Husqvarna AB непрестанно усъвършенствува своите продукти и поради това си запазва правото да променя примерно оформянето им, външния им вид и др. без предварително уведомление.

дълготрайното излагане на шум може да доведе до постоянно влошаване на слуха. Така че винаги използвайте одобрена защита на слуха.

Преди да започнете работа с машината прочетете внимателно ръководството за експлоатация и се убедете, че го разбирате правилно.

Настоящото ръководство е допълнение към ръководството за експлоатация, приложено към машината. Относно работа с останалите части на машината вижте ръководството за експлоатация, приложено към машината.



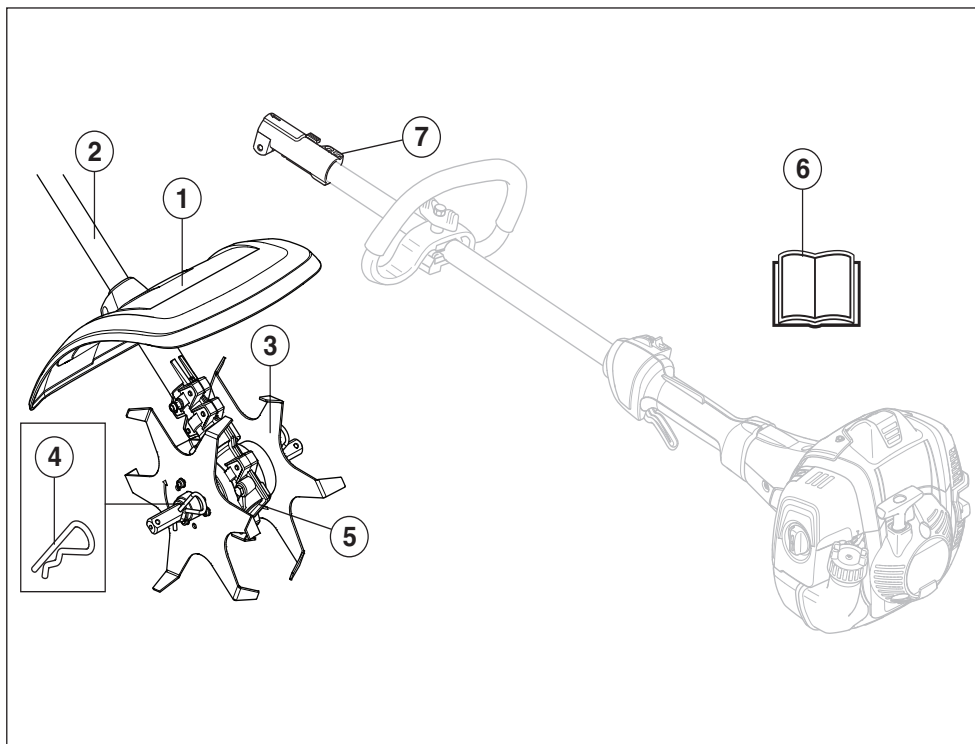
ПРЕДУПРЕЖДЕНИЕ! При никакви обстоятелства не бива да се внасят изменения в първоначалната конструкция на машината без разрешение на производителя. Ползвайте само оригинални приспособления. Неразрешени изменения и/или приспособления биха могли да предизвикат сериозни травми или смъртни случаи на оператора или други лица.



ПРЕДУПРЕЖДЕНИЕ! Този тип принадлежност се използва само с предвидените за него триони/тримери, виж "Утвърдени спомагателни приспособления" в раздел "Технически данни" в Ръководството за експлоатация към машината.

Машината е предназначена само за култивиране.

КАКВО - КЪДЕ?



Кое какво е на култиватора?

- | | | | |
|---|------------------|---|---------------------------------------------------------------|
| 1 | Защита на резеца | 5 | Корпус на предавката |
| 2 | Двусекционен вал | 6 | Ръководство за експлоатация |
| 3 | Резци | 7 | Съединение на двусекционния вала (Част е от основната машина) |
| 4 | Шплинт | | |

ИНСТРУКЦИИ ПО ТЕХНИКАТА ЗА БЕЗОПАСНОСТ

Лична защитна екипировка



ПРЕДУПРЕЖДЕНИЕ! При работа с машината трябва винаги да ползвате лична защитна екипировка одобрена от съответното ведомство. Личната защитна екипировка не изключва риск от травми, но намалява сериозността на травмата при злополука. Помолете своя дистрибутор за помощ при избора на подходяща екипировка. Преди да започнете работа с машината прочетете внимателно ръководството за експлоатация и се убедете, че го разбирате правилно.



ПРЕДУПРЕЖДЕНИЕ! Бъдете винаги внимателни за предупредителни сигнали или подвиквания, когато използвате антифони. Сваляйте винаги антифоните незабавно след спиране на двигателя.

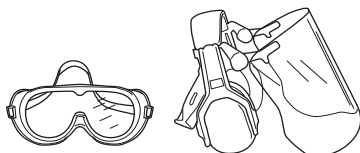
- Ръкавици следва да се използват при необходимост.



- Необходимо е да работите с антифони, осигуряващи достатъчен заглушаващ ефект.



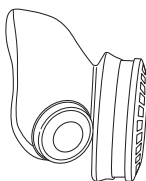
- Трябва винаги да използвате одобрени защитни приспособления за очите. Ако използвате маска, следва да използвате и одобрени защитни очила. С одобрени защитни очила се има предвид такива, които отговарят на стандарт АНСИ 387.1 за САЩ или ЕН 166 за страните от ЕС. Удари от изхвърлени клони или предмети могат да наранят очите.



- Използвайте устойчиви и нехлъзгащи се ботуши.



- Винаги носете тежки, дълги панталони, ботуши, ръкавици и блузи с дълъг ръкав. За да намалите риска от нараняване, заради предмети, вълвечени във въртящите се части, не носете отпуснати дрехи, шалове, бинюта и др. Връзвайте косата си, така че да стига над нивото на рамото.
- Когато има опасност от вдигане на прах, следва да се носи предпазна маска.



- Аптеката за първа помощ трябва винаги да е под ръка.



Защитното оборудване на машината

В този раздел са описани различните защитни устройства на машината, тяхното действие, както и начинът за извършване на преглед и поддръжка за да се гарантира безопасността при работа. Виж раздел Какво - къде?, в който е посочено къде тези устройства се намират на вашата машина.

Експлоатационният срок на машината може да бъде намален, а рискът от несчастни случаи увеличен, ако техническото обслужване на машината не се провежда правилно и ако обслужването и/или ремонтните дейности не се изпълняват професионално. Ако имате нужда от още информация, моля, обърнете се към най-близкия сервис.

ИНСТРУКЦИИ ПО ТЕХНИКАТА ЗА БЕЗОПАСНОСТ

ЗАПОМНЕТЕ! При работа с машината трябва винаги да ползвате лична защитна екипировка одобрена от съответното ведомство. Личната защитна екипировка не изключва риск от травми, но намалява сериозността на травмата при злополука. Помолете своя дистрибутор за помощ при избора на подходяща екипировка.



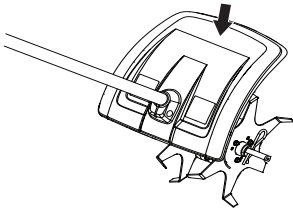
ПРЕДУПРЕЖДЕНИЕ! Никога не използвайте машината с неизправно защитно оборудване. Придържайте се към описаните в този раздел инструкции за преглед, поддръжка и сервис.

Защита за режещото оборудване



Тази защита е предназначена да предпазва от отскачане на предмети към оператора. Защитата предотвратява освен това допир на оператора с режещото оборудване.

- Убедете се, че защитата не е повредена и е без пукнатини.

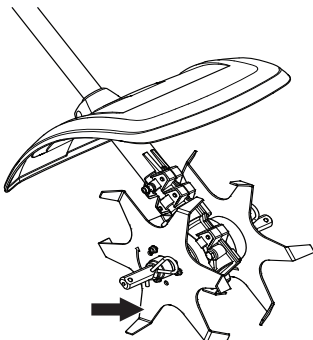


- Заменете защитата, ако е била изложена на удар или се е напукала.

Режещо оборудване

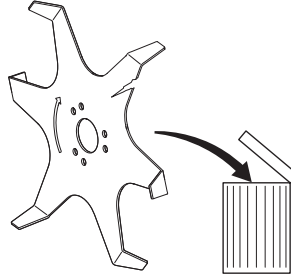


Роговете са предназначени и изработени да издържат натоварванията при култивиране.



Две основни правила:

- 1 Използвайте режещо оборудване само с препоръчаното от нас предпазно оборудване.
- 2 Проверявайте режещото оборудване за повреди и образували се пукнатини. Повредено режещо оборудване подлежи винаги на подмяна.



ПРЕДУПРЕЖДЕНИЕ! Винаги спирайте мотора, преди да работите върху коя да е част от приспособлението. То може да продължи да се движи дори и след като газта е отпусната. Убедете се, че приспособлението е спряло напълно и разединете кабела от запалителната свещ, преди да започнете да работите по него.



ПРЕДУПРЕЖДЕНИЕ! Не използвайте никога машина с неизправно защитно оборудване. Проверките и поддръжката следва да се извършват съгласно указанията в този раздел. Ако машината ви не издържи на някоя от изброените проверки, следва да се свържете със сервиса си за извършване на ремонт.

ИНСТРУКЦИИ ПО ТЕХНИКАТА ЗА БЕЗОПАСНОСТ

Основни предпазни мерки по техниката за безопасност

ЗАПОМНЕТЕ!

Използвайте машината единствено по предназначение. Машината е предназначена само за култивиране.

Не работете никога с машината, ако сте уморени, или сте употребили алкохол или лекарства, които повлияват зрението, съобразителността и координацията на движенията.

Използвайте личната защитна екипировка. Виж указанията в раздел Лична защитна екипировка.

Никога не използвайте машина с изменения в оригиналната първоначална конструкция.

Никога не използвайте машината при крайно неблагоприятни климатични условия, като например суров студ или много топъл и/или влажен климат.

Никога не използвайте машина, която е неизправна. Извършвайте описаните в това ръководство за експлоатация редовни проверки за безопасност, поддръжка и сервис. Определени операции по поддръжката и сервиса се извършват единствено от квалифицирани специалисти. Вижте указанията в раздел 'Поддръжка'.



ПРЕДУПРЕЖДЕНИЕ! Неизправните резци могат да повишат риска от несчастни случаи.

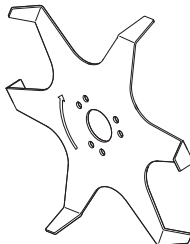
- Никога не позволявайте на деца да използват машината.
- Убедете се, че никой не се приближава близо от 15м по време на работа.
- Никога не допускайте други да използват машината без да сте се убедили, че те са разбрали съдържанието в инструкциите за експлоатация.
- Култивирането следва да се извършва само през деня или при добро осветление.

Инструкции за безопасност преди започване на работа

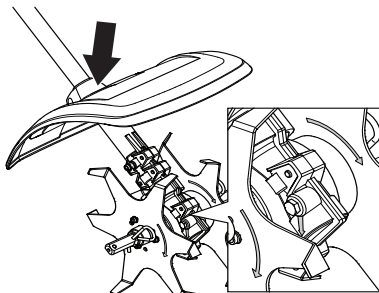
- Огледайте участъка на работа. Премахнете незакрепените предмети, като например камъни, парчета стъкло, пирони, стоманена тел, канап и др., които могат да отскочат или да се закачат за ножа или защитата на ножа.
- Дръжте външни лица на разстояние. Деца, животни, зрители или хора, които Ви

помагат, трябва да се намират на безопасно разстояние от 15 м. Когато някой се приближи, трябва незабавно да спрете машината.

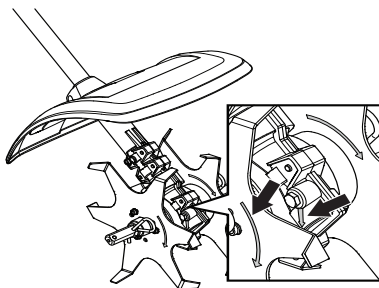
- Преди да започнете работа проверете цялостно машината. Подменете повредени части. Проверете за течове на горивото и дали всички защити и капаци са в изправност и добре закрепени. Проверете всички винтове и гайки.
- Уверете се, че ножовете не са повредени, не са напукани и не показват признаци на други повреди. Подменете ножовете, ако е необходимо.



- Убедете се, че защитата на ножа е поставена и в изправност.



- Уверете се, че роговете и техните предпазители са закрепени здраво. Уверете се, че посоката на въртене съвпада с ножовете и зъбното колело. Стрелките трябва да сочат в една и съща посока.



ИНСТРУКЦИИ ПО ТЕХНИКАТА ЗА БЕЗОПАСНОСТ

- Проверете резците да не се движат, когато двигателят е на празен ход.
- Убедете се, че ръкохватката и елементите за безопасност са изправни. Никога не използвайте машина, на която липсва някоя част или е притърпяла промени извън спецификацията.
- Използвайте машината единствено по предназначение.

При студено стартиране:

- Стартирайте основната машина, оставете я да загрее и я изключете.
- Монтирайте приспособлението съгласно инструкциите за монтаж.

Основни указания за работа

ЗАПОМНЕТЕ!

В този раздел са изброени основните предпазни мерки, които трябва да се спазват при работа с култиватор.

Ако се окажете в ситуация, в която чувствувате неувереност по отношение на използването, се посъветвайте със специалист. Свържете се с дистрибутор или със сервиза си.

Избягвайте всякакво използване, за което не чувствате достатъчно квалифициран.

Основни правила за безопасност



Огледайте се:

- Убедете се, че наблизо няма хора, животни или други обекти, които могат да попречат на работата ви.
 - За да се убедите, че няма опасност хора, животни или предмети да влязат в допир с режещото оборудване или че няма предмети, които да отскочат от режещото оборудване.
 - **ВНИМАНИЕ!** Не работете никога с машината, когато нямате възможност да повикате помощ в случай на злополука.
- 1 Не работете при лоши климатични условия. Например при пълтна мъгла, силен дъжд, силен вятър, силен студ и т.н. Работата в лошо време е изморителна и може да доведе до възникване на опасни ситуации, например до появата на хлъзгави участъци.

- 2 Погрижете се да можете да стоите и да се предвижвате безопасно. Проверете за евентуални препятствия при неочаквано предвижване (корени, камъни, храсти, канавки и т.н.). Бъдете много предпазливи при работе в неравен терен.



- 3 При пренасяне трябва двигателят да бъде спрян.
- 4 Никога не поставяйте машината на земята, когато двигателят работи, без да имате надзор върху нея.
- 5 Режещият инструмент трябва да работи настрана от оператора. Не работете с инструмент, насочен към оператора, защото това може да доведе до тежко нараняване.

Основни принципи на работа

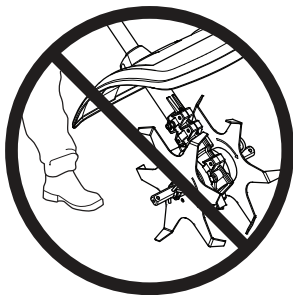


- Необходимо е винаги да заставате сигурно и здраво при работна.
- Използвайте винаги двете ръце, когато държите машината. Дръжте машината от дясната страна на тялото.



ИНСТРУКЦИИ ПО ТЕХНИКАТА ЗА БЕЗОПАСНОСТ

- Убедете се, ръцете и краката ви не докосват ножа, когато двигателят работи.



- Винаги дръжте роговете близо до земята.
- След всяка работна операция двигателят трябва да се преведе на празен ход. Продължителната работа на пълни обороти без двигателят да е натоварен (без съпротивата, която двигателят изпитва от режещия оборудване при работа с машината) може да предизвика сериозна повреда на двигателя.
- Особено внимавайте, когато дърпате култиватора към себе си по време на работа.
- Спрете двигателя, ако се появят силни вибрации. Извадете кабела за свещта от запалителната свещ. Проверете дали машината не е повредена. Ремонтирайте евентуални повреди.



ПРЕДУПРЕЖДЕНИЕ! Понякога може трева и камъчета да се заклеят между роговете. Винаги спирайте мотора, когато почиствате.



ПРЕДУПРЕЖДЕНИЕ! Пазете се от отскачащи предмети. Използвайте винаги защитни приспособления за очите. Не се навеждайте никога над защитата на режещото оборудване. Камъни и други предмети могат да извърчат в очите Ви, и да предизвикат ослепяване или сериозни наранявания.

Дръжте външни лица на разстояние. Деца, животни, зрители или хора, които Ви помагат, трябва да се намират на безопасно разстояние от 15 м. Когато някой се приближи, трябва незабавно да спрете машината.

По време на работа и доста време след това, предавката може да е нагорещена. При допир съществува риск от изгаряне.

Инструкции за безопасност след завършване на работа

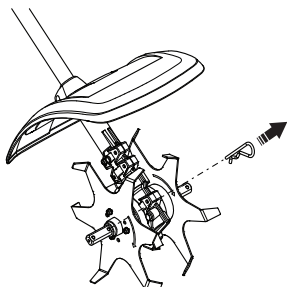


- Преди почистване, ремонт или преглед трябва да се убедите, че режещото оборудване не се движи. Извадете кабела за свещта от запалителната свещ.
- Когато ремонтирате култиватора, носете дебели ръкавици.
- Използвайте единствено оригинални резервни части при ремонт.
- Съхранявайте машината на недостъпно за деца място.

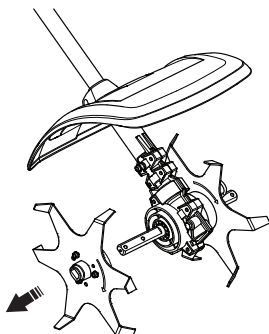
Подмяна на дисковете



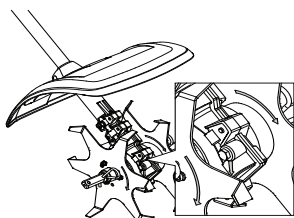
Развийте шпелнта.



Свалете комплекта ножове от изходящия вал на предавателната кутия.



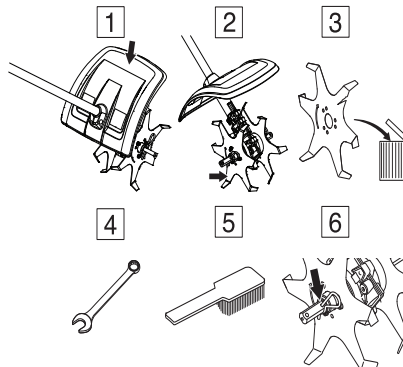
Монтирайте комплекта ножове върху изходния вал на корпуса на скоростната кутия. Уверете се, че посоката на въртене съвпада с ножовете и зъбното колело. Стрелките трябва да сочат в една и съща посока.



Техническо обслужване

По-долу ще намерите някои общи указания за поддръжка. Ако ви е необходима допълнителна информация, обърнете се към сервиза си.

Всекидневно обслужване



- 1 Убедете се, че защитата не е повредена и че не са се образували пукнатини. Сменете защитата, ако тя е била изложена на удари или се е напукала.
- 2 Проверете резците да не се движат, когато двигателят е на празен ход.
- 3 Уверете се, че ножовете не са повредени, не са напукани и не показват признаци на други повреди. Подменете ножовете, ако е необходимо.
- 4 Проверете дали всички гайки и винтове са затегнети.
- 5 Почистете машината от външната ѝ страна.
- 6 Уверете се, че застопоряващите щифтове и шплинтовете не са повредени и са закрепени здраво.

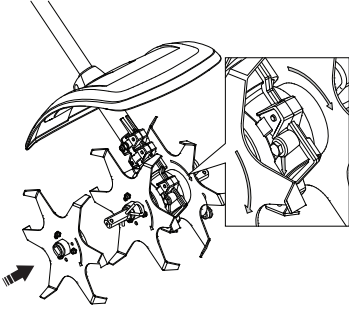
Транспорт и съхранение

- Ако транспортирате машината върху друго превозно средство, винаги използвайте одобрени осигуряващи устройства и се уверете, че машината е здраво закрепена.
- Уверете се, че машината е почистена и че преди дългосрочното законсервиране е проведено пълно обслужване.

Допълнителни принадлежности

2x ножа

Монтирайте комплекта ножове върху изходния вал на корпуса на скоростната кутия. Уверете се, че посоката на въртене съвпада с ножовете и зъбното колело. Стрелките трябва да сочат в една и съща посока.



ТЕХНИЧЕСКИ ХАРАКТЕРИСТИКИ

Технически характеристики

Технически характеристики	CA230
Тегло	
Тегло,	2,9
2x ножа	2,8
4x ножа (принадлежност)	3,7
Размери, mm	
2x ножа	140
4x ножа (принадлежност)	235
Шумови емисии	
(вж. забележка 1)	
Равнище на звуковия ефект, измерено в dB (A)	105
Равнище на звуковия ефект, гарантирано L_{WA} dB (A)	109
Равнище на шума	
(вж. забележка 2)	
Еквивалентно ниво на звуковото налягане върху ухото на оператора, измерено съгласно EN/ИСО 22868, dB(A)	
Оборудван с одобрено приспособление (оригинално)	92,4
вибрации	
(вж. забележка 3)	
Еквивалентно ниво на вибрацията ($a_{hv,eq}$) в ръкохватките, измерени съгласно EN ISO 22867, m/s^2	
Оборудван с одобрено приспособление (оригинално), ляво/дясно	4,2/6,1

Забележка 1: Шумова емисия в околната среда, измерена като звуков ефект (L_{WA}) съгласно ЕО директива 2000/14/ЕО. Отчетените нива на шума за машината са измерени с оригиналното режещо оборудване, което дава най-високото ниво. Разликата между гарантираното и измереното ниво на шума е в това, че гарантираното ниво на шума включва също и дисперсията в резултатите от измерването, както и вариациите между различните машини от един и същи модел, в съответствие с Директива 2000/14/ЕС.

Забележка 2: Отчетените данни за еквивалентното ниво на звуковото налягане за машината имат типична статистическа дисперсия (стандартно отклонение) от 1 dB (A).

Забележка 3: Отчетените данни за еквивалентното равнище на вибрацията имат типична статистическа дисперсия (стандартно отклонение) от 1 m/s^2 .

CA230		
Одобрени приспособления	Тип	Защита
Нож на култиватор	4x ножа	

ЕО-уверение за съответствие (Валидно само в рамките на Европа)

Ние, Husqvarna AB,, SE-561 82 Huskvarna, Швеция, тел.: +46-36-146500, декларираме, че приставката култиватор Husqvarna/Jonsred CA230 отговаря на изискванията на ДИРЕКТИВАТА НА СЪВЕТА:

- то 17 май 2006 г., гсвързани с машини 2006/42/ЕО.

Използвани са следните стандарти: ISO 11449:1994

Фирма СМП Сженск Маскинпронинг АБ, с адрес Vox 7035, SE-750 07 Уппсала, Швеция, е извършила доброволния типов контрол за фирма Хусяжарна АБ. Сертификатите са издадени под номер: SEC/14/2415

Huskvarna, 20 април 2015 г.

Per Gustafsson, Началник внедрителски отдел

(Оторизиран представител на Husqvarna AB и отговорник за техническата документация.)

ΕΠΕΞΗΓΗΣΗ ΣΥΜΒΟΛΩΝ

Σύμβολα

ΠΡΟΕΙΔΟΠΟΙΗΣΗ!

Ο καλλιεργητής μπορεί να αποδειχθεί επικίνδυνος εργαλείο, αν δεν χρησιμοποιείται σωστά ή προσεκτικά και μπορεί να προκαλέσει σοβαρό ή θανατηφόρο τραυματισμό στο χειριστή ή σε άλλους. Είναι ιδιαίτερα σημαντικό να διαβάζετε και να κατανοείτε τα περιεχόμενα του παρόντος Εγχειριδίου Χρήστη.

Διαβάστε προσεκτικά τις Οδηγίες χρήσεως και κατανοήστε το περιεχόμενο πριν χρησιμοποιήσετε το μηχάνημα.

Χρησιμοποιείτε πάντοτε:

- Εγκεκριμένα προστατευτικά μέσα ακοής
- Προστατευτικά γυαλιά ή δικτυωτή μάσκα
- Να φοράτε μάσκα προστασίας αναπνοής, επειδή υπάρχει κίνδυνος από σκόνης.

Αυτό το προϊόν είναι σύμφωνο με τις ισχύουσες οδηγίες της ΕΚ.

Κίνδυνος από περιστρεφόμενο μαχαίρι. Προσέχετε χέρια και πόδια. Το βέλος δείχνει την κατεύθυνση περιστροφής.

Κατά την εργασία ο χειριστής του μηχανήματος να φροντίζει να μην βρίσκονται άνθρωποι ή ζώα πλησιέστερα από 15 μέτρα από το σημείο εργασίας.

Χρησιμοποιείτε πάντοτε εγκεκριμένα προστατευτικά γάντια.

Φοράτε σταθερές, αντιολισθητικές μπότες.

Κρατάτε όλα τα μέρη του σώματος σας μακριά από τις θερμές επιφάνειες.

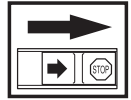
Προσοχή στα εκτοξευόμενα αντικείμενα και τα θραύσματα.



Ηκπομπές θορύβων στο περιβάλλον σύμφωνα με την Οδηγία της Ευρωπαϊκής Κοινότητας (ΗΚ). Οι ηκπομπές του μηχανήματος αναφέρονται στο κηφάλαιο Τηχνικά χαρακτηριστικά και στην πινακίδα του προϊόντος.

Τα υπόλοιπα σύμβολα/επιγραφές του μηχανήματος αναφέρονται σε ειδικές απαιτήσεις για εκπλήρωση προδιαγραφών έγκρισης σε ορισμένες αγορές.

Ο έλεγχος και/ή συντήρηση πρέπει να γίνονται με το κινητήρα σταματημένο, με το διακόπτη Στοπ στη θέση ΣΤΟΠ.



Χρησιμοποιείτε πάντοτε εγκεκριμένα προστατευτικά γάντια.



ΠΕΡΙΕΧΟΜΕΝΑ

Περιεχόμενα

ΕΠΕΞΗΓΗΣΗ ΣΥΜΒΟΛΩΝ

Σύμβολα 234

ΠΕΡΙΕΧΟΜΕΝΑ

Περιεχόμενα 235

Πριν την εκκίνηση πρέπει να προσέξετε τα ακόλουθα: 235

ΤΙ ΕΙΝΑΙ ΤΙ;

Πως λέγεται αυτό στη φρέζα; 236

ΟΔΗΓΙΕΣ ΑΣΦΑΛΕΙΑΣ

Ατομικός προστατευτικός εξοπλισμός 237

Προστατευτικός εξοπλισμός του μηχανήματος . 237

Γενικές οδηγίες ασφάλειας 239

Γενικές οδηγίες εργασίας 240

ΣΥΝΤΗΡΗΣΗ

Αντικατάσταση των λεπίδων 242

Πρόγραμμα συντήρησης 242

ΤΕΧΝΙΚΑ ΣΤΟΙΧΕΙΑ

Τεχνικά στοιχεία 244

EK–Βεβαίωση συμφωνίας 244

Πριν την εκκίνηση πρέπει να προσέξετε τα ακόλουθα:

Η Husqvarna AB αναπτύσσει συνεχώς τα προϊόντα της και για το λόγο αυτό επιφυλάσσει στον εαυτό της το δικαίωμα τροποποιήσεων π.χ. ως προς το σχεδιασμό και την εμφάνιση, χωρίς προειδοποίηση.

Η μακρόχρονη έκθεση σε θόρυβο μπορεί να προκαλέσει μόνιμη βλάβη στην ακοή. Θα πρέπει πάντα να λαμβάνετε μέτρα προστασίας της ακοής σας.

Διαβάστε προσεκτικά τις Οδηγίες χρήσεως και κατανοήστε το περιεχόμενο πριν χρησιμοποιήσετε το μηχάνημα.

Αυτές οι οδηγίες χρήσεως αποτελούν συμπλήρωμα του βιβλίου οδηγιών χρήσεως που συνοδεύει το μηχάνημα. Για άλλες οδηγίες συμβουλευτείτε το βιβλίο οδηγιών χρήσεως του μηχανήματος.



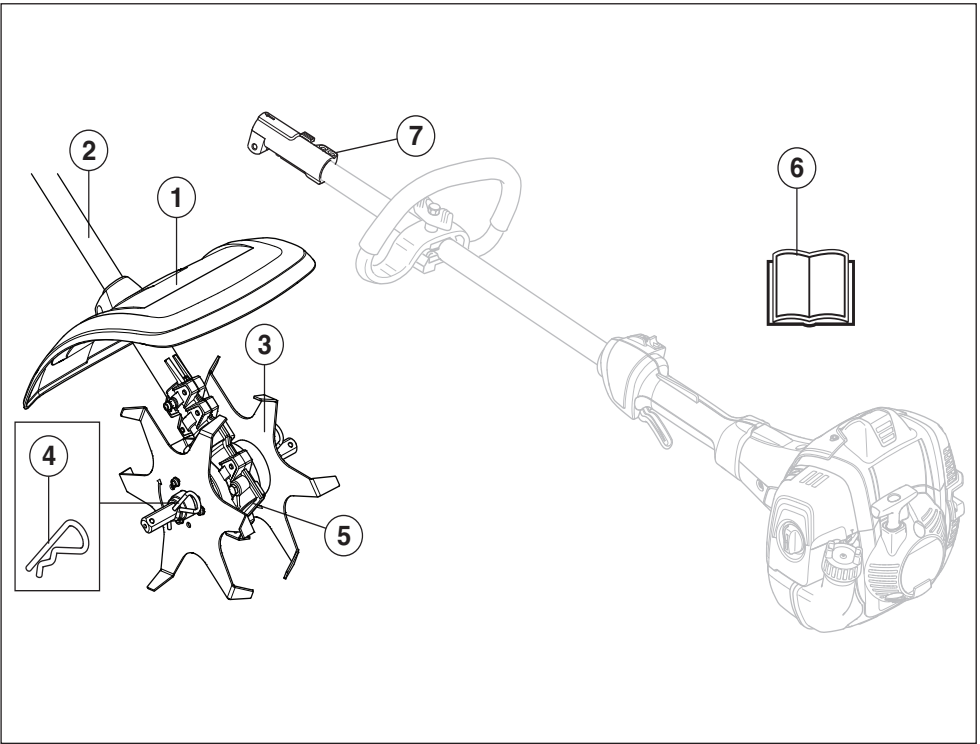
ΠΡΟΕΙΔΟΠΟΙΗΣΗ! Χωρίς άδεια του κατασκευαστή, σε καμία περίπτωση δεν επιτρέπεται μετατροπή του μηχανήματος σε σχέση με την αρχική του κατασκευή. Χρησιμοποιείτε πάντοτε γνήσια ανταλλακτικά. Μη εγκεκριμένες μετατροπές και/ή ανταλλακτικά μπορεί να έχουν ως συνέπεια σοβαρό ή θανατηφόρο τραυματισμό του χειριστή ή άλλων ατόμων.



ΠΡΟΕΙΔΟΠΟΙΗΣΗ! Αυτό το εξάρτημα επιτρέπεται να χρησιμοποιηθεί μόνο με τα προβλεπόμενα θαμνοκοπτικά/χλοοκοπτικά, δείτε στην παράγραφο με τίτλο “Εγκεκριμένα αξεσουάρ” του κεφαλαίου “Τεχνικά χαρακτηριστικά” του βιβλίου οδηγιών του μηχανήματος.

Το μηχάνημα είναι κατασκευασμένο αποκλειστικά για φρεζάρισμα.

ΤΙ ΕΙΝΑΙ ΤΙ;



Πως λέγεται αυτό στη φρέζα;

- | | |
|---------------------------|----------------------------------------------|
| 1 Προφυλακτήρας μαχαιριού | 5 Περιβλήμα γραναζιών |
| 2 Αξονας | 6 Οδηγίες χρήσεως |
| 3 Λεπίδες | 7 Σύζευξη άξονα (Ανήκει στο βασικό μηχανήμα) |
| 4 Διχαλωτός πείρος | |

ΟΔΗΓΙΕΣ ΑΣΦΑΛΕΙΑΣ

Ατομικός προστατευτικός εξοπλισμός



ΠΡΟΕΙΔΟΠΟΙΗΣΗ! Σε οποιαδήποτε χρήση του μηχανήματος πρέπει να χρησιμοποιείτε εγκεκριμένο ατομικό προστατευτικό εξοπλισμό. Ο ατομικός προστατευτικός εξοπλισμός δεν εξουδετερώνει τον κίνδυνο τραυματισμού, παρά μειώνει τα αποτελέσματα ενός τραύματος σε περίπτωση ατυχήματος. Ζητήστε από τον έμπορο να σας βοηθήσει στην εκλογή προστατευτικού εξοπλισμού. Διαβάστε προσεκτικά τις Οδηγίες χρήσεως και κατανοήστε το περιεχόμενο πριν χρησιμοποιήσετε το μηχάνημα.

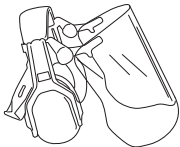


ΠΡΟΕΙΔΟΠΟΙΗΣΗ! Όταν φοράτε ωασιπίδες έχετε το νου σας ώστε να ακούσετε τυχόν προειδοποιητικά σήματα ή φωνές. Πάντα να βγάζετε τις ωασιπίδες μόλις σβήσει ο κινητήρας.

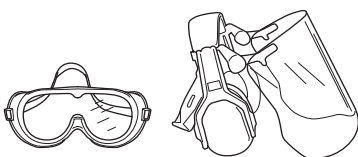
- Πρέπει να φοράτε γάντια όταν είναι αναγκαίο.



- Πρέπει να φοράτε ωασιπίδες που παρέχουν επαρκή μείωση του θορύβου.



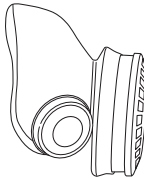
- Πρέπει να φοράτε πάντοτε εγκεκριμένη προστασία ματιών. Αν χρησιμοποιείτε προστατευτική μάσκα τότε θα πρέπει επίσης να φοράτε εγκεκριμένα προστατευτικά γυαλιά. Τα εγκεκριμένα προστατευτικά γυαλιά να συμμορφώνονται με το πρότυπο ANSI Z87.1 στις Η.Π.Α. ή με το πρότυπο EN 166 στις χώρες της Ε.Ε. Χτυπήματα από κλαδιά ή αντικείμενα που εκσφενδονίζονται μπορεί να τραυματίσουν τα μάτια σας.



- Φοράτε σταθερές, αντιολισθητικές μπότες.



- Φοράτε πάντα χοντρά, μακριά παντελόνια, μπότες, γάντια και πουκάμισα με μακρύ μανίκι. Για να μειώσετε τον κίνδυνο τραυματισμού που σχετίζεται με την εμπλοκή αντικειμένων σε κινούμενα μέρη, μην φοράτε χαλαρά ρούχα, μαντίλια, κοσμήματα κ.λπ. Δέστε τα μαλλιά σας πάνω από τους ώμους.
- Να φοράτε μάσκα προστασίας αναπνοής, επειδή υπάρχει κίνδυνος από σκόνες.



- Έχετε πάντοτε μαζί σας κιβώτιο πρώτων βοηθειών.



Προστατευτικός εξοπλισμός του μηχανήματος

Στο μέρος αυτό παρουσιάζονται τα εξαρτήματα ασφάλειας του μηχανήματος, η αποστολή τους καθώς και ο τρόπος ελέγχου και συντήρησης για την ασφαλή λειτουργία τους. Βλ. κεφ. Τι είναι τι; για να βρείτε πού είναι τοποθετημένα αυτά τα εξαρτήματα στο μηχάνημα.

Η διάρκεια ζωής της μηχανής μπορεί να μειωθεί ενώ και ο κίνδυνος για ατυχήματα είναι μεγαλύτερος στην περίπτωση που δεν πραγματοποιείται η σωστή συντήρηση της μηχανής καθώς και εάν η επισκευή δε γίνεται με επαγγελματικό τρόπο. Εάν θέλετε περισσότερες πληροφορίες, επικοινωνήστε με το πλησιέστερο συνεργείο.

ΣΗΜΑΝΤΙΚΟ! Σε οποιαδήποτε χρήση του μηχανήματος πρέπει να χρησιμοποιείτε εγκεκριμένο ατομικό προστατευτικό εξοπλισμό. Ο ατομικός προστατευτικός εξοπλισμός δεν εξουδετερώνει τον κίνδυνο τραυματισμού, παρά μειώνει τα αποτελέσματα ενός τραύματος σε περίπτωση ατυχήματος. Ζητήστε από τον έμπορο να σας βοηθήσει στην εκλογή προστατευτικού εξοπλισμού.

ΟΔΗΓΙΕΣ ΑΣΦΑΛΕΙΑΣ



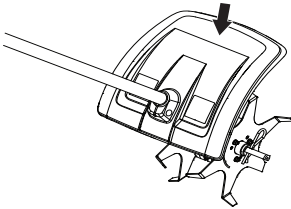
ΠΡΟΕΙΔΟΠΟΙΗΣΗ! Ποτέ μην χρησιμοποιείτε ένα μηχάνημα με ελαττωματικά εξαρτήματα ασφάλειας. Ακολουθήστε τις οδηγίες ελέγχου, συντήρησης και σέρβις που παρουσιάζονται στο κεφάλαιο αυτό.

Προφυλακτήρας εξαρτήματος κοπής



Αυτός ο προφυλακτήρας έχει σκοπό να εμποδίζει τα ελεύθερα αντικείμενα να εκσφενδονίζονται προς τον χειριστή. Επίσης, ο προφυλακτήρας προστατεύει τον χειριστή από ακούσια επαφή με το εξάρτημα κοπής.

- Βεβαιωθείτε ότι ο προφυλακτήρας δεν έχει ζημιές και δεν παρουσιάζει ραγίσματα.

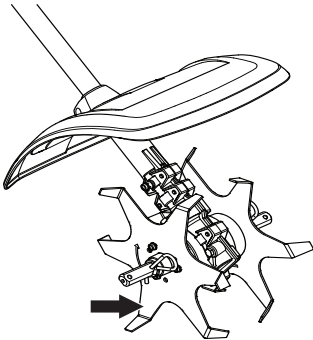


- Αντικαταστήστε τον προφυλακτήρα εάν έχει χτυπηθεί ή εάν παρουσιάζει ραγίσματα.

Κοπτικός εξοπλισμός



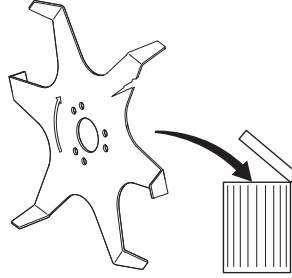
Τα μαχαίρια είναι κατασκευασμένα και επεξεργασμένα για να αντέχουν την καταπόνηση κατά το φρεζάρισμα.



Οι δύο βασικοί κανόνες είναι:

- 1 Χρησιμοποιείτε μόνο παρελκόμενα κοπής με τα προστατευτικά που συνοστύμε!

- 2 Ελέγχετε το εξάρτημα κοπής για ζημιές ή εμφάνιση ραγισμάτων. Το κατεστραμμένο εξάρτημα κοπής πρέπει πάντα να αντικαθίσταται.



ΠΡΟΕΙΔΟΠΟΙΗΣΗ! Σβήνετε πάντοτε τον κινητήρα πριν ξεκινήσετε εργασία σε οποιοδήποτε μέρος του αξεσουάρ. Ενδέχεται να συνεχίσει να κινείται ακόμη και αφού απελευθερωθεί το γκάτζι. Βεβαιωθείτε ότι έχει σταματήσει εντελώς και αποσυνδέστε τα καλώδια ΥΤ από το μπουζί πριν ξεκινήσετε να εργάζεστε με αυτό.



ΠΡΟΕΙΔΟΠΟΙΗΣΗ! Ποτέ μην χρησιμοποιείτε ένα μηχάνημα με ελαττωματικό εξοπλισμό ασφάλειας. Ο εξοπλισμός ασφάλειας του μηχανήματος πρέπει να ελέγχεται και να συντηρείται όπως περιγράφεται σε αυτό το κεφάλαιο. Εάν το μηχάνημά σας δεν πληρεί τους απαιτούμενους ελέγχους, απευθυνθείτε στον αντιπρόσωπο του σέρβις για επιδιόρθωση.

Γενικές οδηγίες ασφάλειας

ΣΗΜΑΝΤΙΚΟ!

Χρησιμοποιείτε το μηχάνημα μόνο για τις εργασίες για τις οποίες είναι σχεδιασμένο. Το μηχάνημα είναι κατασκευασμένο αποκλειστικά για φρεζάρισμα.

Ποτέ μην χρησιμοποιείτε το μηχάνημα όταν είστε κουρασμένος, έχετε πιει αλκοόλ ή πήρατε φάρμακα που επηρεάζουν την όρασή σας, την κρίση σας ή τον έλεγχο του σώματός σας.

Χρησιμοποιείτε ατομικό προστατευτικό εξοπλισμό. Βλ. τις οδηγίες στο κεφάλαιο "Ατομικός προστατευτικός εξοπλισμός"

Ποτέ μην χρησιμοποιείτε ένα μηχάνημα στο οποίο έγιναν τέτοιες μετατροπές, ώστε δεν είναι πια σύμφωνο με το πρωτότυπο.

Μην χρησιμοποιείτε ποτέ το μηχάνημα κάτω από ακραίες καιρικές συνθήκες όπως δριμύ ψύχος, πολύ θερμά καυή υγρά κλίματα.

Μην χρησιμοποιείτε ποτέ το μηχάνημα εάν παρουσιάζει πρόβλημα. Εκτελείτε όλους τους ελέγχους ασφαλείας και τηρείτε τις οδηγίες συντήρησης και επισκευής που αναφέρονται στο παρόν εγχειρίδιο. Μερικά μέτρα συντήρησης και επισκευής πρέπει να εκτελούνται από εκπαιδευμένο και ειδικευμένο προσωπικό. Δείτε τις οδηγίες στην ενότητα με τίτλο Συντήρησης.



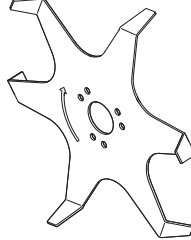
ΠΡΟΕΙΔΟΠΟΙΗΣΗ! Ελαττωματικές λεπίδες μπορεί να αυξήσουν τον κίνδυνο ατυχήματος.

- Μην επιτρέπετε σε παιδιά να χρησιμοποιούν το μηχάνημα.
- Όσο εργάζεστε φροντίστε όποιος σας πλησιάζει να σταματάει σε 15 μέτρα απόσταση.
- Μην επιτρέπετε σε κανέναν άλλον να χρησιμοποιήσει το μηχάνημα αν δεν έχετε βεβαιωθεί ότι γνωρίζει το περιεχόμενο των οδηγιών χρήσης.
- Η καλλιέργεια θα πρέπει να γίνεται μόνο υπό το φως της ημέρας ή σε συνθήκες καλού φωτισμού.

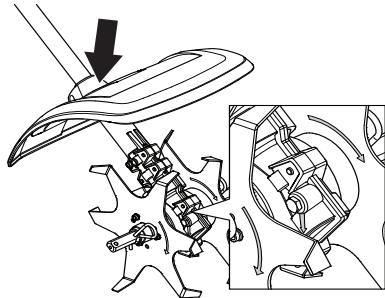
Οδηγίες ασφαλείας πριν την εκκίνηση

- Επιθεωρήστε την περιοχή εργασίας. Απομακρύνετε όλα τα κινητά αντικείμενα, όπως πέτρες, σπασμένα γυαλιά, καρφιά, κορδόνια κλπ, που μπορεί να εκσφενδονιστούν ή μπλέξουν στο μαχαίρι ή στον προφυλακτήρα μαχαριού.
- Κρατάτε σε απόσταση πρόσωπα άσχετα με τη δουλειά σας. Παιδιά, ζώα, θεατές και συνεργάτες να βρίσκονται έξω από τη ζώνη ασφαλείας που είναι 15 m. Σταματήστε αμέσως το μηχάνημα αν κάποιος σας πλησιάζει.

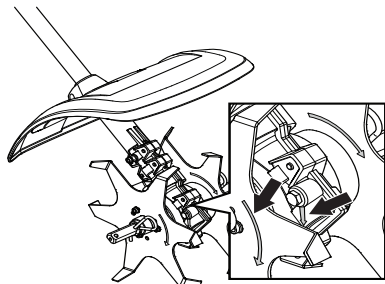
- Ελέγξτε όλο το μηχάνημα πριν την εκκίνηση. Αντικαταστήστε εξαρτήματα που έχουν βλάβες. Ελέγξτε ότι δεν υπάρχει διαρροή καυσίμων και ότι όλοι οι προφυλακτήρες και τα καπάκια είναι ακέραια και καλά στερεωμένα. Ελέγξτε όλες τις βίδες και τα παξιμάδια.
- Ελέγξτε ότι τα μαχαίρια είναι χωρίς ζημιές και ότι δεν έχουν ρωγμές ή άλλες φθορές. Αλλάξτε τα μαχαίρια αν χρειάζεται.



- Φροντίστε ο προφυλακτήρας μαχαριού να είναι μονταρισμένος και χωρίς βλάβες.



- Βεβαιωθείτε ότι είναι καλά στερεωμένα τα μαχαίρια και το προστατευτικό τους. Βεβαιωθείτε ότι η κατεύθυνση της περιστροφής είναι ίδια με την κατεύθυνση των κοπτικών και των γραναζιών. Τα βέλη πρέπει να δείχνουν στην ίδια κατεύθυνση.



- Βεβαιωθείτε ότι οι λεπίδες δεν κινούνται στο ρελαντί.
- Φροντίστε να είναι εντάξει η χειρολαβή και η λειτουργία ασφαλείας. Μην χρησιμοποιείτε το μηχάνημα αν του λείπει κάποιο εξαρτήματα ή έχει τροποποιηθεί πέρα από τις προδιαγραφές του.

ΟΔΗΓΙΕΣ ΑΣΦΑΛΕΙΑΣ

- Χρησιμοποιείτε το μηχάνημα μόνο για τις εργασίες για τις οποίες είναι σχεδιασμένο.

Σε κρία εκκίνησης:

- Εκτελέστε τη βασική προθέρμανση του μηχανήματος και στη συνέχεια απενεργοποιήστε το μηχάνημα.
- Τοποθετήστε το αξεσουάρ σύμφωνα με τις οδηγίες συναρμολόγησης.

Γενικές οδηγίες εργασίας

ΣΗΜΑΝΤΙΚΟ!

Αυτή η ενότητα πραγματεύεται βασικούς κανόνες ασφάλειας κατά την εργασία με φρέζα.

Εάν βρεθείτε σε κατάσταση που δεν είσαστε βέβαιοι για το πώς να προχωρήσετε πρέπει να συμβουλευτείτε ειδικό. Απευθυνθείτε στον αντιπρόσωπο ή στο συνεργείο σας.

Αποφεύγετε κάθε χρήση που θεωρείτε ότι είναι πέρα από τις δυνατότητές σας.

Βασικοί κανόνες ασφάλειας



Προσέξτε τον περίγυρό σας:

- Για να βεβαιωθείτε ότι άνθρωποι, ζώα ή άλλα αντικείμενα δεν επηρεάζουν τον έλεγχο που έχετε πάνω στο μηχάνημα.
- Για να βεβαιωθείτε ότι άνθρωποι, ζώα, κλπ., δεν έρχονται σε επαφή με το εξάρτημα κοπής ή με ελεύθερα αντικείμενα που μπορούν να εκσφενδονιστούν από το εξάρτημα κοπής.
- ΠΡΟΣΟΧΗ! Μην χρησιμοποιείτε το μηχάνημα παρά μόνο εφόσον έχετε τη δυνατότητα να καλέσετε βοήθεια σε περίπτωση ατυχήματος.

- 1 Αποφεύγετε χρήση όταν οι καιρικές συνθήκες είναι ακατάλληλες, όταν για παράδειγμα επικρατεί πυκνή ομίχλη, δυνατή βροχή, ισχυρός άνεμος, μεγάλη παγωνιά κλπ. Η εργασία με κακές καιρικές συνθήκες είναι κουραστική και μπορεί να οδηγήσει σε επικίνδυνες καταστάσεις, πχ. ολισθηρές επιφάνειες.

- 2 Βεβαιωθείτε ότι μπορείτε να μετακινηθείτε και να σταθείτε με ασφάλεια. Προσέχετε μην υπάρχουν εμπόδια στο δρόμο σας (ρίζες, πέτρες, κλαδιά, λακούβες, χαντάκια κλπ.) αν χρειαστεί να μετακινηθείτε απρόσμενα. Δείξτε μεγάλη προσοχή αν η εργασία γίνεται σε κατηφορικό έδαφος.



- 3 Όταν μετακινείστε να σβήνετε τον κινητήρα.
- 4 Μην τοποθετείτε ποτέ το μηχάνημα κάτω με τον κινητήρα σε λειτουργία εκτός εάν το βλέπετε καλά.
- 5 Το εργαλείο κοπής πρέπει να λειτουργεί προς την αντίθετη κατεύθυνση από εκεί που βρίσκεται ο χειριστής. Μην χρησιμοποιείτε ποτέ το εργαλείο προς την κατεύθυνση του χειριστή διότι αυτό μπορεί να προκαλέσει σοβαρό τραυματισμό.

Βασικές τεχνικές εργασίας

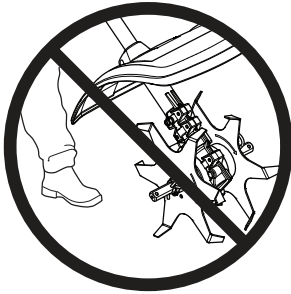


- Φροντίστε να έχετε ασφαλή και σταθερή στάση εργασίας
- Κρατάτε πάντοτε το μηχάνημα και με τα δύο χέρια. Κρατάτε το μηχάνημα στη δεξιά πλευρά του σώματός σας.



ΟΔΗΓΙΕΣ ΑΣΦΑΛΕΙΑΣ

- Φροντίστε ώστε χέρια και πόδια να μην πλησιάζουν στο μαχαίρι όσο λειτουργεί ο κινητήρας.



- Να κρατάτε πάντοτε τα μαχαίρια κοντά στο έδαφος.
- Πάντα μειώνετε την ταχύτητα του κινητήρα στο ρελαντί μετά από κάθε εργασία. Οι μεγάλες περίοδοι λειτουργίας με πλήρες γκάζι χωρίς φόρτιση του κινητήρα (δηλ. χωρίς την αντίσταση που αισθάνεται ο κινητήρας από το εξάρτημα κοπής όταν χρησιμοποιείτε το μηχάνημα) μπορούν να οδηγήσουν σε σοβαρή ζημία του κινητήρα.
- Να είστε ακόμη πιο προσεκτικοί όταν τραβάτε τη φρέζα προς το μέρος σας κατά τη διάρκεια της εργασίας.
- Αν παρουσιάσει ισχυρές δονήσεις, σταματήστε το μηχάνημα. Βγάλτε το καλώδιο του μπουτζιού. Ελέγξτε ότι το μηχάνημα δεν έχει πάθει βλάβες. Επιδιορθώστε ενδεχόμενες βλάβες.



ΠΡΟΕΙΔΟΠΟΙΗΣΗ! Μερικές φορές μαγκώνουν στα μαχαίρια χόρτα και πέτρες. Να σταματάτε πάντοτε τον κινητήρα κατά τον καθαρισμό.



ΠΡΟΕΙΔΟΠΟΙΗΣΗ! Προσέξτε τα τυχόν εκσφενδονιζόμενα αντικείμενα. Φοράτε πάντα προστατευτικά γυαλιά. Ποτέ μη σκύβετε πάνω από τον προφυλακτήρα του εξαρτήματος κοπής. Πέτρες, σκουπίδια, κλπ. μπορεί να τιναχτούν στα μάτια και να σας τυφλώσουν ή να προκαλέσουν σοβαρό τραυματισμό.

Κρατάτε σε απόσταση πρόσωπα άσχετα με τη δουλειά σας. Παιδιά, ζώα, θεατές και συνεργάτες να βρίσκονται έξω από τη ζώνη ασφαλείας που είναι 15 m. Σταματήστε αμέσως το μηχάνημα αν κάποιος σας πλησιάσει.

Τα γρανάζια μπορεί να ζεσταθούν πολύ κατά τη χρήση και ενδέχεται να παραμείνουν σε αυτήν την κατάσταση για σύντομο διάστημα μετά τη χρήση. Υπάρχει κίνδυνος εγκαυμάτων σε περίπτωση επαφής.

Οδηγίες ασφάλειας μετά το τέλος της εργασίας

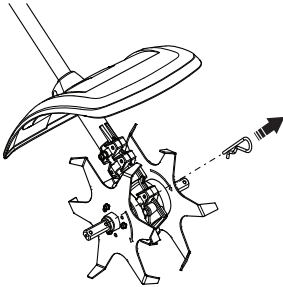


- Πριν από καθαρισμό, επισκευή ή επιθεώρηση, φροντίστε να έχει σταματήσει εντελώς το εξάρτημα κοπής. Αποσυνδέστε το καλώδιο από το μπουτζι.
- Χρησιμοποιείτε πάντοτε χοντρά γάντια κατά την επισκευή της φρέζας.
- Στις επισκευές να χρησιμοποιείτε μόνο γνήσια ανταλλακτικά.
- Αποθηκεύστε το μηχάνημα σε μέρος όπου δεν μπορούν να το φτάσουν παιδιά.

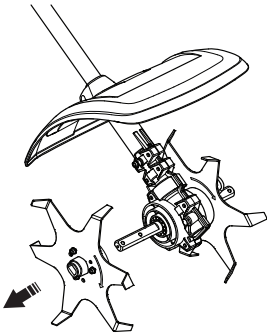
Αντικατάσταση των λεπίδων



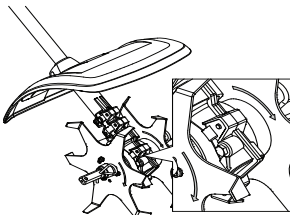
Λασκάρετε το διχαλωτό πείρο.



Αφαιρέστε το σετ των κοπτικών από τον άξονα εξαγωγής του περιβλήματος γραναζιών.



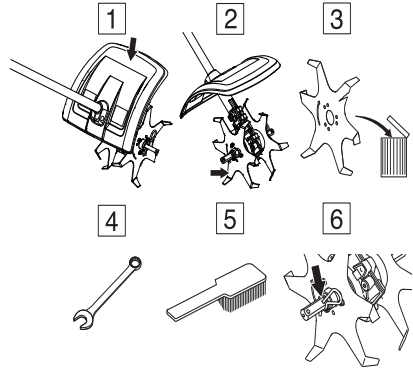
Τοποθετήστε το σετ των κοπτικών στον άξονα εξαγωγής του περιβλήματος γραναζιών. Βεβαιωθείτε ότι η κατεύθυνση της περιστροφής είναι ίδια με την κατεύθυνση των κοπτικών και των γραναζιών. Τα βέλη πρέπει να δείχνουν στην ίδια κατεύθυνση.



Πρόγραμμα συντήρησης

Παρακάτω ακολουθούν μερικές γενικές οδηγίες συντήρησης. Εάν θέλετε πρόσθετες πληροφορίες απευθυνθείτε στο συνεργείο σας.

Καθημερινή φροντίδα



- 1 Βεβαιωθείτε ότι ο προφυλακτήρας δεν έχει ζημιά και δεν είναι ραγισμένος. Αντικαταστήστε τον προφυλακτήρα εάν έχει χτυπηθεί ή εάν παρουσιάζει ραγίσματα.
- 2 Βεβαιωθείτε ότι οι λεπίδες δεν κινούνται στο ρελαντί.
- 3 Ελέγξτε ότι τα μαχαίρια είναι χωρίς ζημιές και ότι δεν έχουν ρωγμές ή άλλες φθορές. Αλλάξτε τα μαχαίρια αν χρειάζεται.
- 4 Βεβαιωθείτε ότι τα μπουλόνια και τα παξιμάδια είναι σφιγμένα.
- 5 Καθαρίστε εξωτερικά το μηχάνημα.
- 6 Ελέγξτε ότι οι διχαλωτοί πείροι και οι διχαλωτοί πείροι ασφαλείας δεν έχουν υποστεί ζημιά και είναι ασφαλισμένοι σωστά.

Μεταφορά και αποθήκευση

- Σε περίπτωση μεταφοράς του μηχανήματος σε άλλο όχημα, χρησιμοποιείτε πάντα τις εγκεκριμένες συσκευές ασφαλείας και βεβαιωθείτε ότι κρατάτε καλά το μηχάνημα.
- Πριν αποθηκεύσετε το μηχάνημα για μεγάλο χρονικό διάστημα, βεβαιωθείτε ότι έχει προηγουμένως καθαριστεί και ότι πλήρες σέρβις έχει πραγματοποιηθεί.

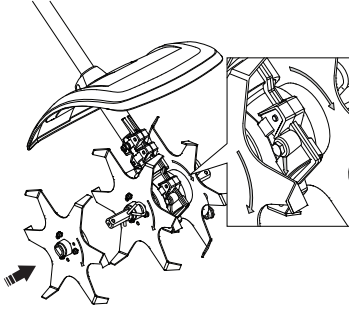
Προαιρετικά αξεσουάρ

2 κοπτικά

Τοποθετήστε το σετ των κοπτικών στον άξονα εξαγωγής του περιβλήματος γραναζιών. Βεβαιωθείτε ότι η κατεύθυνση της περιστροφής είναι ίδια με την

ΣΥΝΤΗΡΗΣΗ

κατεύθυνση των κοπτικών και των γραναζιών. Τα βέλη πρέπει να δείχνουν στην ίδια κατεύθυνση.



ΤΕΧΝΙΚΑ ΣΤΟΙΧΕΙΑ

Τεχνικά στοιχεία

Τεχνικά στοιχεία	CA230
Βάρος	
Βαρος,kg	2,9
2 κοπτικά	2,8
4 κοπτικά (αξεσουάρ)	3,7
Διαστάσεις, mm	
2 κοπτικά	140
4 κοπτικά (αξεσουάρ)	235
Εκπομπές θορύβου	
(βλ.σημ. 1)	
Μετρημένη ηχητική στάθμη σε dB(A)	105
Εγγυημένη ηχητική στάθμη L_{WA} dB(A)	109
Στάθμες θορύβου	
(βλ. σημ. 2)	
Ισοδύναμο ηπίηθο πήσης ήχου στο αυτί του χειριστή, μητρημένο σύμφωνα με την EN ISO 22868, dB(A): Εξοπλισμένο με εγκεκριμένο εξάρτημα (αυθεντικό)	92,4
Κραδασμοί	
(βλ. σημ. 3)	
Αντίστοιχες στάθμες κραδασμών ($a_{fv,eq}$) στις λαβές, μετρεμένες σύμφωνα με τα EN ISO 22867, m/s^2 Εξοπλισμένο με εγκεκριμένο εξάρτημα (αυθεντικό), αριστερά/δεξιά	4,2/6,1

Σημείωση 1: Εκπομπή θορύβου προς το περιβάλλον μετρήθηκε ως ισχύς ήχου (L_{WA}) σύμφωνα με την Οδηγία ΕΚ 2000/14/ΕΚ. Η καταγεγραμμένη στάθμη ηχητικής ισχύος για το μηχάνημα έχει μετρηθεί με το αυθεντικό παρελκόμενο κοπής, που δίνει την υψηλότερη στάθμη. Η διαφορά μεταξύ της εγγυημένης και της μετρημένης ηχητικής ισχύος είναι ότι η εγγυημένη ηχητική ισχύς περιλαμβάνει επίσης τη διασπορά στο αποτέλεσμα της μέτρησης και τις αποκλίσεις μεταξύ των διαφορετικών μηχανημάτων του ίδιου μοντέλου σύμφωνα με την Οδηγία 2000/14/ΕΚ.

Σημείωση 2: Τα καταγεγραμμένα στοιχεία για την αντίστοιχη στάθμη πίεσης θορύβου για το μηχάνημα έχουν μία τυπική στατιστική διασπορά (τυπική απόκλιση) της τάξης του 1 dB (A).

Σημείωση 3: Τα καταγεγραμμένα στοιχεία για την αντίστοιχη στάθμη κραδασμών έχουν μία τυπική στατιστική διασπορά (τυπική απόκλιση) της τάξης του 1 m/s^2 .

CA230		
Εγκεκριμένα αξεσουάρ	Τύπος	Προφυλακτήρας
Κοπτικό καλλιεργητή	4 λάμες	

ΕΚ–Βεβαίωση συμφωνίας (Ισχύει μόνο στην Ευρώπη)

Εμείς, η **Husqvarna AB**, SE-561 82 Huskvarna, Σουηδία, τηλ.: +46-36-146500, δηλώνουμε ότι τα παρελκόμενα καλλιεργητή **Husqvarna/Jonsered CA230** συμμορφώνονται με τις απαιτήσεις της ΟΔΗΓΙΑΣ ΤΟΥ ΣΥΜΒΟΥΛΟΥ:

- μη ημερομηνία 17 Μαΐου 2006 "σχηματικά μη τα μηχανήματα" **2006/42/ΕΚ**.

Εφαρμόστηκαν τα εξής πρότυπα: ISO 11449:1994

Η SMP Svensk Maskinprovning AB, Box 7035, SE-750 07 Uppsala, Sverige, έχει ηκητήλεση προαιρετικό έλληγο μοντέλου για λογαριασμό της Husqvarna AB. Τα Πιστοποιητικά έχουν τους αριθμούς: **SEC/14/2415**

Huskvarna, 20 Απριλίου 2015

Per Gustafsson, Διευθυντής ανάπτυξης
(Εξουσιοδοτημένος αντιπρόσωπος της Husqvarna AB και υπεύθυνος για την τεχνική τεκμηρίωση.)

KEY TO SYMBOLS

Symbols

WARNING!

A cultivator can be a dangerous tool if used incorrectly or carelessly, which can cause serious or fatal injury to the operator or others. It is extremely important that you read and understand the contents of this Operator's Manual.



Please read the operator's manual carefully and make sure you understand the instructions before using the machine.



Always wear:

- Approved hearing protection
- Protective goggles or a visor
- A breathing mask should be used when there is a risk of dust.



Warning: rotating cutter. Keep hands and feet clear. The arrow indicates the direction of rotation.



The operator of the machine must ensure, while working, that no persons or animals come closer than 15 meters (50 ft.).



Always wear approved protective gloves.



Wear sturdy, non-slip boots.



Keep all parts of your body away from the hot surfaces.

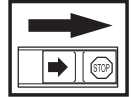


Watch out for thrown objects and ricochets.

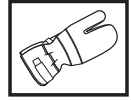


Other symbols/decals on the machine refer to special certification requirements for certain markets.

Switch off the engine by moving the stop switch to the STOP position before carrying out any checks or maintenance.



Always wear approved protective gloves.



CONTENTS

Contents

KEY TO SYMBOLS

Symbols 245

CONTENTS

Contents 246

Note the following before starting: 246

WHAT IS WHAT?

What is what on the cultivator attachment? 247

SAFETY INSTRUCTIONS

Personal protective equipment 248

Machine's safety equipment 248

General safety precautions 250

General working instructions 251

MAINTENANCE

Replacing the blades 253

Maintenance schedule 253

TECHNICAL DATA

Technical data 254

Note the following before starting:

Husqvarna AB has a policy of continuous product development and therefore reserves the right to modify the design and appearance of products without prior notice.

Long-term exposure to noise can result in permanent hearing impairment. So always use approved hearing protection.

Please read the operator's manual carefully and make sure you understand the instructions before using the machine.

These instructions supplement the instructions that were included with the machine. For other procedures, please refer to the operating instructions for the machine.



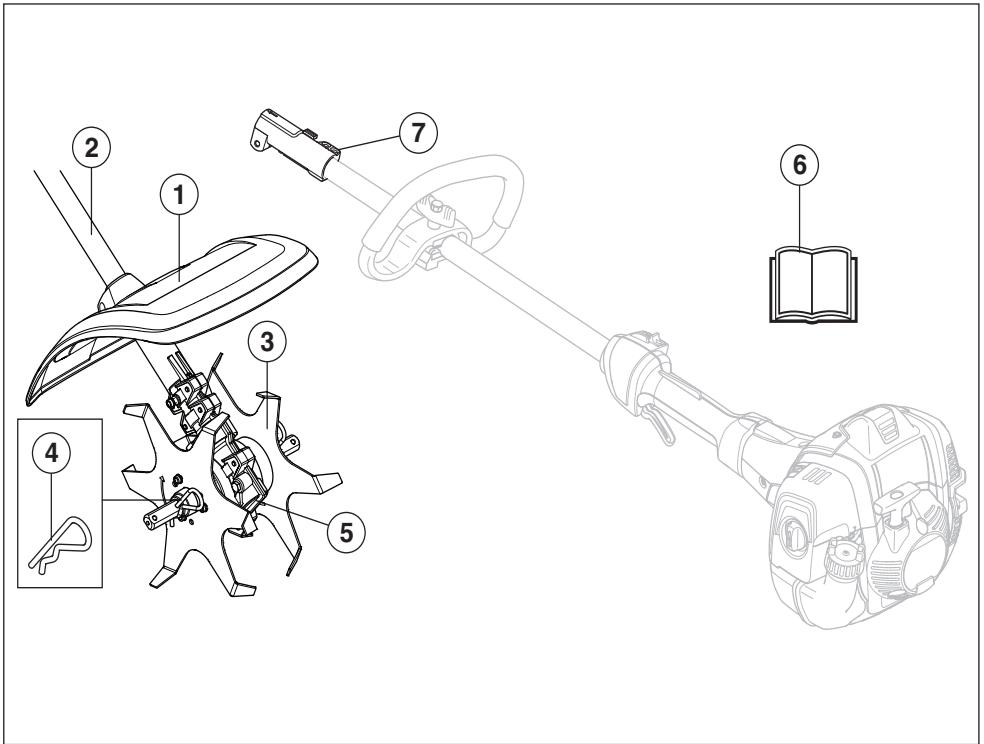
WARNING! Under no circumstances may the design of the machine be modified without the permission of the manufacturer. Always use genuine accessories. Non-authorized modifications and/or accessories can result in serious personal injury or the death of the operator or others.



WARNING! This accessory may only be used together with the intended brush cutter/trimmer, see under heading "Approved accessories" in chapter Technical data in the machine's Operator's Manual.

The machine is only designed for cultivating.

WHAT IS WHAT?



What is what on the cultivator attachment?

- | | |
|---------------|---------------------------------------------|
| 1 Blade guard | 5 Gear housing |
| 2 Shaft | 6 Operator's manual |
| 3 Blades | 7 Shaft coupling (Belongs to basic machine) |
| 4 Split pin | |

SAFETY INSTRUCTIONS

Personal protective equipment



WARNING! You must use approved personal protective equipment whenever you use the machine. Personal protective equipment cannot eliminate the risk of injury but it will reduce the degree of injury if an accident does happen. Ask your dealer for help in choosing the right equipment. Please read the operator's manual carefully and make sure you understand the instructions before using the machine.

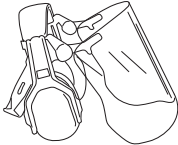


WARNING! Listen out for warning signals or shouts when you are wearing hearing protection. Always remove your hearing protection as soon as the engine stops.

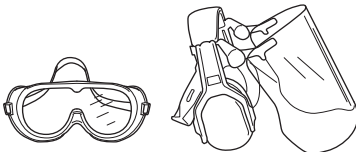
- Gloves should be worn when necessary.



- Wear hearing protection that provides adequate noise reduction.



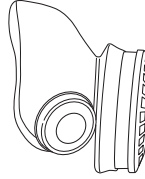
- Always wear approved eye protection. If you use a visor then you must also wear approved protective goggles. Approved protective goggles must comply with standard ANSI Z87.1 in the USA or EN 166 in EU countries. Blows from branches or objects that are thrown can damage the eyes.



- Wear sturdy, non-slip boots.



- Always wear heavy, long pants, boots, gloves, and a long-sleeve shirt. To reduce the risk of injury associated with objects being drawn into rotating parts, do not wear loose clothing, scarves, jewelry, etc. Secure hair so it is above shoulder level.
- A breathing mask should be used when there is a risk of dust.



- Always have a first aid kit nearby.



Machine's safety equipment

This section describes the machine's safety equipment, its purpose, and how checks and maintenance should be carried out to ensure that it operates correctly. See the "What is what?" section to locate where this equipment is positioned on your machine.

The life span of the machine can be reduced and the risk of accidents can increase if machine maintenance is not carried out correctly and if service and/or repairs are not carried out professionally. If you need further information please contact your nearest servicing dealer.

IMPORTANT! You must use approved personal protective equipment whenever you use the machine. Personal protective equipment cannot eliminate the risk of injury but it will reduce the degree of injury if an accident does happen. Ask your dealer for help in choosing the right equipment.



WARNING! Never use a machine that has faulty safety equipment! Carry out the inspection, maintenance and service routines listed in this section.

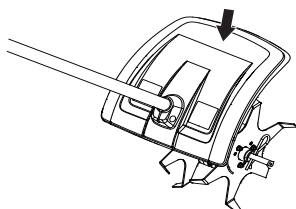
SAFETY INSTRUCTIONS

Cutting attachment guard



This guard is intended to prevent loose objects from being thrown towards the operator. The guard also protects the operator from accidental contact with the cutting attachment.

- Ensure that the guard is undamaged and is not cracked.

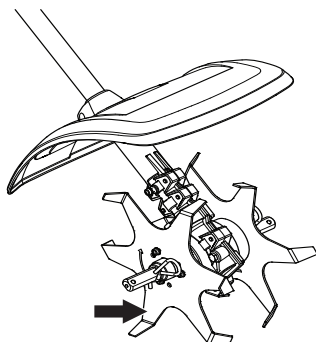


- Replace the guard if it has been exposed to impact or is cracked.

Cutting equipment



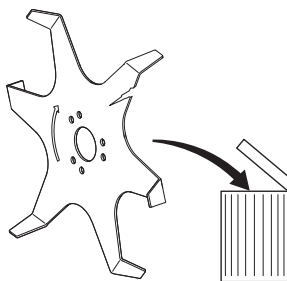
The tines are designed and machined to withstand the loads resulting from cultivating.



The two basic rules:

- 1 Only use cutting attachments with the guards we recommend!

- 2 Check the cutting attachment for damage or cracks. A damaged cutting attachment should always be replaced.



WARNING! Always stop the engine before you work on any part of the accessory. It can continue to move even after the throttle is released. Ensure the accessory has stopped completely and disconnect the HT leads from the spark plug before you start to work on it.



WARNING! Never use a machine with faulty safety equipment. The machine's safety equipment must be checked and maintained as described in this section. If your machine fails any of these checks contact your service agent to get it repaired.

SAFETY INSTRUCTIONS

General safety precautions

IMPORTANT!

Only use the machine for the purpose it was intended for. The machine is only designed for cultivating.

Never use the machine if you are tired, if you have drunk alcohol, or if you are taking medication that could affect your vision, your judgement or your co-ordination.

Wear personal protective equipment. See instructions under the heading "Personal protective equipment".

Never use a machine that has been modified in any way from its original specification.

Never use the machine in extreme weather conditions such as severe cold, very hot and/or humid climates.

Never use a machine that is faulty. Carry out the safety checks, maintenance and service instructions described in this manual. Some maintenance and service measures must be carried out by trained and qualified specialists. See instructions under the heading Maintenance.



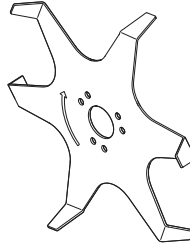
WARNING! Faulty blades can increase the risk of accidents.

- Never allow children to use the machine.
- Ensure that no-one comes closer than 15 m while you are working.
- Never allow anyone else to use the machine without first ensuring that they have read and understood the contents of the operator's manual.
- Cultivating should only be done in daylight or other well-lit conditions.

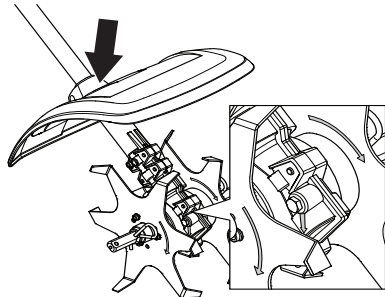
Safety instructions before starting work

- Inspect the working area. Remove all loose objects, such as stones, broken glass, nails, steel wire, string, etc. that could be thrown out or become wrapped around the cutter or cutter guard.
- Keep unauthorised persons at a distance. Children, animals, onlookers and helpers should be kept outside the safety zone of 15 m. Stop the machine immediately if anyone approaches.
- Check the entire machine before starting. Replace damaged parts. Check that there are no fuel leaks and that all guards and covers are complete and fastened securely. Check all nuts and screws.

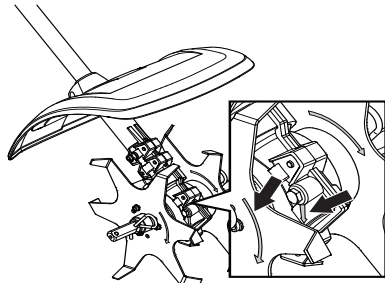
- Check that the blades are undamaged and show no signs of cracking or other damage. Replace the blades if necessary.



- Make sure the cutter guard is fitted and not damaged.



- Check that the tines and tine guard are secured correctly. Make sure the direction of rotation agrees with the cutters and on the gear. The arrows must point in the same direction.



- Check that the blades do not move when the engine is idling.
- Make sure the handle and safety features are in order. Never use a machine that has any parts missing or has been modified in relation to the specification.
- Only use the machine for the purpose it was intended for.

When starting from cold:

- Run the basic machine warm and then shut down the machine.
- Mount the accessory as per the assembly instructions.

SAFETY INSTRUCTIONS

General working instructions

IMPORTANT!

This section takes up the basic safety precautions for working with a cultivator.

If you encounter a situation where you are uncertain how to proceed you should ask an expert. Contact your dealer or your service workshop.

Avoid all usage which you consider to be beyond your capability.

Basic safety rules



Look around you:

- To ensure that people, animals or other things cannot affect your control of the machine.
 - To ensure that people, animals, etc., do not come into contact with the cutting attachment or loose objects that are thrown out by the cutting attachment.
 - CAUTION! Do not use the machine unless you are able to call for help in the event of an accident.
- 1 Do not use the machine in bad weather, such as dense fog, heavy rain, strong wind, intense cold, etc. Working in bad weather is tiring and can lead to dangerous conditions, e.g. slippery surfaces.
 - 2 Make sure you can move and stand safely. Check the area around you for possible obstacles (roots, rocks, branches, ditches, etc.) in case you have to move suddenly. Take great care when working on sloping ground.



- 3 The engine must be switched off before moving.
- 4 Never put the machine down with the engine running unless you have it in clear sight.
- 5 The cutting tool must work away from the operator. Never work with the tool towards the operator as this may cause serious injury.

Basic working techniques



- Always ensure you have a safe and stable working position.
- Always hold the machine with both hands. Hold the machine on the right of your body.



- Make sure your hands and feet do not come near the cutter when the engine is running.



- Always keep the tines close to the ground.
- Always slow the engine to idle speed after each working operation. Long periods at full throttle without any load on the engine (i.e. without the resistance that the cutting attachment exerts on the engine when you are using the machine) can lead to serious engine damage.
- Pay extra attention when pulling the cultivator towards you while working.
- If heavy vibration occurs, stop the machine. Disconnect the HT lead from the spark plug. Check that the machine is not damaged. Repair any damage.



WARNING! At times grass and stones can become caught in the tines. Always stop the engine when cleaning.

SAFETY INSTRUCTIONS



WARNING! Watch out for thrown objects. Always wear eye protection. Never lean over the cutting attachment guard. Stones, rubbish, etc. can be thrown up into the eyes causing blindness or serious injury.

Keep unauthorised persons at a distance. Children, animals, onlookers and helpers should be kept outside the safety zone of 15 m. (50 ft.) Stop the machine immediately if anyone approaches.

The gear can get hot during use and may remain so for a while afterwards. You could get burnt if you touch it.

Safety instructions after completing work



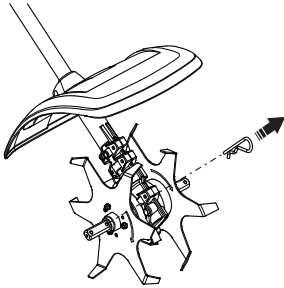
- Make sure the cutting attachment has stopped before cleaning, carrying out repairs or an inspection. Disconnect the spark plug cap from the spark plug.
- Wear heavy-duty gloves when repairing the cultivator.
- Use only original spare parts for repairs.
- Store the machine out of reach of children.

MAINTENANCE

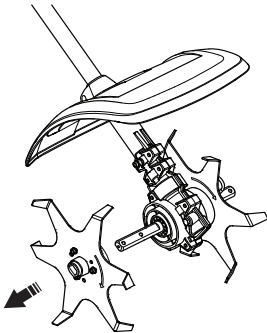
Replacing the blades



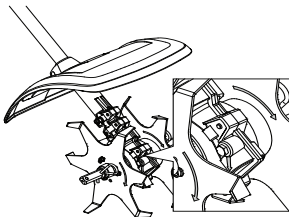
Loosen the split pin.



Remove the cutter package from the gear housing's output axle.



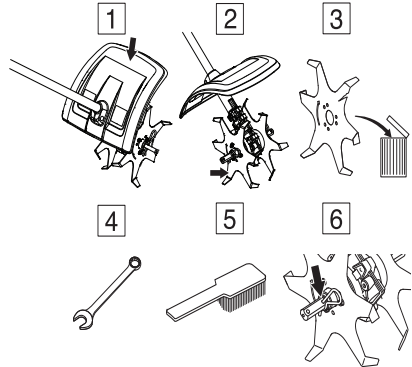
Mount the cutter package onto the gear housing's output shaft. Make sure the direction of rotation agrees with the cutters and on the gear. The arrows must point in the same direction.



Maintenance schedule

Below you will find some general maintenance instructions. If you need further information please contact your service workshop.

Daily maintenance



- 1 Check that the guard is undamaged and not cracked. Replace the guard if it has been exposed to impact or is cracked.
- 2 Check that the blades do not move when the engine is idling.
- 3 Check that the blades are undamaged and show no signs of cracking or other damage. Replace the blades if necessary.
- 4 Check that nuts and screws are tight.
- 5 Clean the outside of the machine.
- 6 Check that the split pins and cotter pins are undamaged and secured correctly.

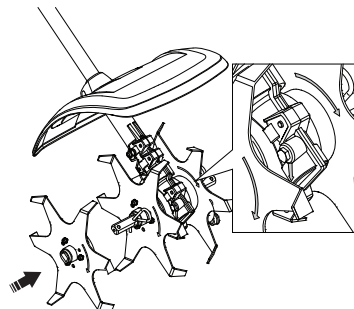
Transport and storage

- If transporting the machine on another vehicle always use approved securing devices and make sure that the machine is securely held.
- Ensure the machine is cleaned and that a complete service is carried out before long-term storage.

Optional accessories

2x cutters

Mount the cutter package onto the gear housing's output shaft. Make sure the direction of rotation agrees with the cutters and on the gear. The arrows must point in the same direction.



TECHNICAL DATA

Technical data

Technical data	CA230
Weight	
Weight, lb/kg	2,9
2x cutters	6,2/2,8
4x cutters (accessory)	8,2/3,7
Dimensions, mm	
2x cutters	140
4x cutters (accessory)	235
Sound levels	
(see note 1)	
Equivalent sound pressure level at the operator's ear, measured according to ISO 22868, dB(A):	
Equipped with approved accessory (original)	92,4
Vibrations	
(see note 2)	
Equivalent vibration levels ($a_{HV,eq}$) at handles, measured according to ISO 22867, m/s^2	
Equipped with approved accessory (original), left/right	4,2/6,1

Note 1: Reported data for equivalent sound pressure level for the machine has a typical statistical dispersion (standard deviation) of 1 dB (A).

Note 2: Reported data for equivalent vibration level has a typical statistical dispersion (standard deviation) of 1 m/s^2 .

CA230		
Approved accessories	Type	Guard
Cultivator cutter	4x blades	

EXPLICATION DES SYMBOLES

Symboles

AVERTISSEMENT!

Un cultivateur peut être un outil dangereux s'il est mal utilisé ou négligé, ce qui peut provoquer des blessures graves ou mortelles à l'opérateur ou d'autres personnes. Il est extrêmement important de lire et de comprendre le contenu de ce manuel de l'opérateur.

Lire attentivement et bien assimiler le manuel d'utilisation avant d'utiliser la machine.



Toujours utiliser:

- Protecteurs d'oreilles homologués
- Lunettes protectrices ou visière
- Utiliser une protection respiratoire dans les environnements poussiéreux.



Attention au couteau en rotation.
Attention aux pieds et aux mains.
La flèche indique le sens de rotation.



L'utilisateur de la machine doit s'assurer qu'aucune personne ou animal ne s'approche à moins de 15 mètres (50 ft.) pendant le travail.



Toujours porter des gants de protection homologués.



Utiliser des bottes antidérapantes et stables.



Maintenez toutes les parties de votre corps à distance des surfaces chaudes et brûlantes.

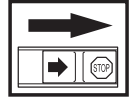


Attention: projections et ricochets.

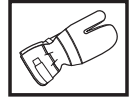
Les autres symboles/autocollants présents sur la machine concernent des exigences de certification spécifiques à certains marchés.



Couper le moteur avant tout contrôle ou réparation en plaçant le bouton d'arrêt sur la position STOP.



Toujours porter des gants de protection homologués.



SOMMAIRE

Sommaire

EXPLICATION DES SYMBOLES

Symboles 255

SOMMAIRE

Sommaire 256

Contrôler les points suivants avant la mise en marche: 256

QUELS SONT LES COMPOSANTS?

Quels sont les composants du cultivateur ? 257

INSTRUCTIONS DE SÉCURITÉ

Équipement de protection personnelle 258

Équipement de sécurité de la machine 258

Instructions générales de sécurité 260

Méthodes de travail 261

ENTRETIEN

Remplacement des lames 263

Schéma d'entretien 263

CARACTÉRISTIQUES TECHNIQUES

Caractéristiques techniques 264

Contrôler les points suivants avant la mise en marche:

Husqvarna AB travaille continuellement au développement de ses produits et se réserve le droit d'en modifier, entre autres, la conception et l'aspect sans préavis.

Une exposition prolongée au bruit risque de causer des lésions auditives permanentes. Toujours utiliser des protecteurs d'oreille agréés.

Lire attentivement et bien assimiler le manuel d'utilisation avant d'utiliser la machine.

Ces instructions sont un complément au manuel qui accompagne la machine. Pour les autres instructions, se reporter au manuel d'utilisation de la machine.



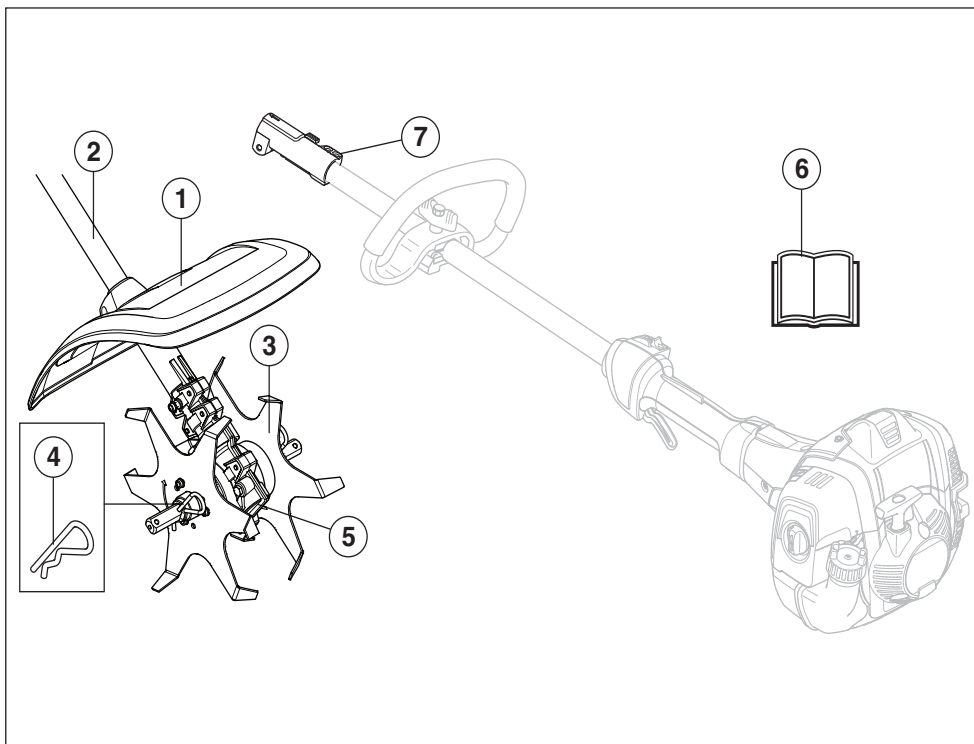
AVERTISSEMENT! Ne jamais modifier sous aucun prétexte la machine sans l'autorisation du fabricant. N'utiliser que des accessoires et des pièces d'origine. Des modifications non-autorisées et l'emploi d'accessoires non-homologués peuvent provoquer des accidents graves et même mortels, à l'utilisateur ou d'autres personnes.



AVERTISSEMENT! Cet accessoire ne peut être utilisé que pour les débroussailleuses/coupebordures auxquels il est expressément destiné. Voir la section "Accessoires homologués" au chapitre Caractéristiques techniques dans le manuel d'utilisation de la machine.

La machine est conçue uniquement pour le travail de la terre.

QUELS SONT LES COMPOSANTS?



Quels sont les composants du cultivateur ?

- | | |
|------------------------|---------------------------------------------------------------------|
| 1 Protège-couteau | 5 Carter |
| 2 Tube de transmission | 6 Manuel d'utilisation |
| 3 Couteaux | 7 Raccord du tube de transmission (Appartient à la machine de base) |
| 4 Goupille fendue | |

INSTRUCTIONS DE SÉCURITÉ

Équipement de protection personnelle



AVERTISSEMENT! Un équipement de protection personnelle homologué doit impérativement être utilisé lors de tout travail avec la machine. L'équipement de protection personnelle n'élimine pas les risques mais réduit la gravité des blessures en cas d'accident. Demander conseil au concessionnaire afin de choisir un équipement adéquat. Lire attentivement et bien assimiler le manuel d'utilisation avant d'utiliser la machine.



AVERTISSEMENT! Soyez toujours attentifs aux signaux d'alerte ou aux appels en portant des protège-oreilles. Enlevez-les sitôt le moteur arrêté.

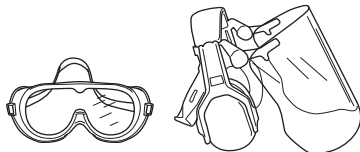
- Au besoin, utiliser des gants.



- Porter des protège-oreilles ayant un effet atténuateur suffisant.



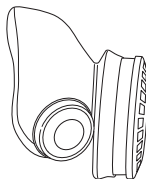
- Toujours porter des protège-yeux homologués. L'usage d'une visière doit toujours s'accompagner du port de lunettes de protection homologuées. Par lunettes de protection homologuées, on entend celles qui sont en conformité avec les normes ANSI Z87.1 (États-Unis) ou EN 166 (pays de l'UE). Les branches ou objets projetés peuvent causer des blessures aux yeux.



- Utiliser des bottes antidérapantes et stables.



- Toujours porter des pantalons résistants et longs, des bottes, des gants et des manches longues. Pour réduire tout risque de blessure provoquée par des objets attirés dans les pièces en rotation, ne pas porter de vêtements larges, d'écharpe, de bijoux, etc. S'attacher les cheveux de manière à ce qu'ils ne tombent pas en dessous des épaules.
- Utiliser une protection respiratoire dans les environnements poussiéreux.



- Une trousse de premiers secours doit toujours être disponible.



Équipement de sécurité de la machine

Ce chapitre présente les équipements de sécurité de la machine, leur fonction, comment les utiliser et si les maintenir en bon état. Voir au chapitre Quels sont les composants? pour trouver leur emplacement sur la machine.

La durée de vie de la machine risque d'être écourtée et le risque d'accidents accru si la maintenance de la machine n'est pas effectuée correctement et si les mesures d'entretien et/ou de réparation ne sont pas effectuées de manière professionnelle. Pour obtenir de plus amples informations, contacter l'atelier de réparation le plus proche.

IMPORTANT! Un équipement de protection personnelle homologué doit impérativement être utilisé lors de tout travail avec la machine. L'équipement de protection personnelle n'élimine pas les risques mais réduit la gravité des blessures en cas d'accident. Demander conseil au concessionnaire afin de choisir un équipement adéquat.



AVERTISSEMENT! Ne jamais utiliser une machine dont les équipements de sécurité sont défectueux. Suivre les directives de maintenance, d'entretien et les instructions de réparation indiquées dans ce chapitre.

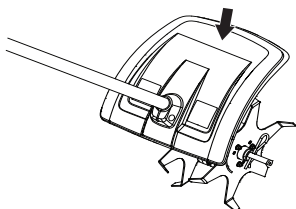
INSTRUCTIONS DE SÉCURITÉ

Protection pour l'équipement de coupe



Cette protection a pour but d'empêcher que des objets ne soient projetés en direction de l'utilisateur. La protection prévient aussi le contact entre l'utilisateur et l'équipement de coupe.

- S'assurer que la protection est intacte et qu'elle ne présente pas de fissures.

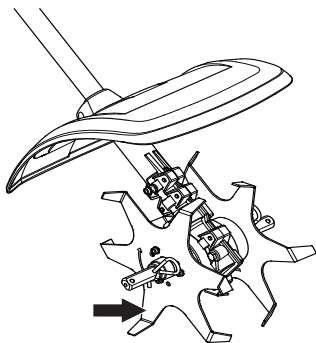


- Remplacer la protection si elle a subi des impacts ou si elle présente des fissures.

Équipement de coupe



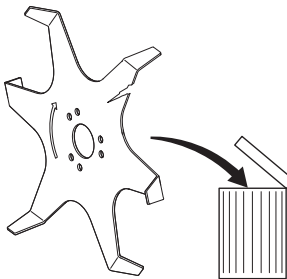
Les couteaux sont conçus pour résister aux contraintes du travail de la terre.



Les deux règles essentielles:

- 1 Utiliser les accessoires de coupe avec les protections recommandées uniquement.

- 2 Inspecter l'équipement de coupe afin de détecter d'éventuels dommages ou fissures. Toujours remplacer un équipement de coupe endommagé.



AVERTISSEMENT! Arrêtez toujours le moteur avant de travailler sur une partie quelconque de l'accessoire. Il peut continuer à se déplacer même après que vous ayez relâché l'accélérateur. Assurez-vous que l'accessoire est complètement arrêté et déconnecté les fils HT de la bougie avant de commencer à travailler sur l'accessoire.



AVERTISSEMENT! Ne jamais utiliser une machine dont les équipements de sécurité sont défectueux. Contrôler et entretenir les équipements de sécurité de la machine conformément aux instructions données dans ce chapitre. Si les contrôles ne donnent pas de résultat positif, confier la machine à un atelier spécialisé.

INSTRUCTIONS DE SÉCURITÉ

Instructions générales de sécurité

IMPORTANT!

Utiliser la machine uniquement pour les travaux auxquels elle est destinée. La machine est conçue uniquement pour le travail de la terre.

Éviter d'utiliser la machine en cas de fatigue, d'absorption d'alcool ou de prise de médicaments susceptibles d'affecter l'acuité visuelle, le jugement ou la maîtrise du corps.

Utiliser les équipements de protection personnelle. Voir au chapitre "Équipement de protection personnelle".

Ne jamais utiliser une machine qui a été modifiée au point de ne plus être conforme au modèle original.

Ne jamais utiliser la machine dans des conditions climatiques extrêmes telles que la froid intense ou climat très chaud et/ou humide.

Ne jamais utiliser une machine qui n'est pas en parfait état de marche. Appliquer les instructions de maintenance et d'entretien ainsi que les contrôles de sécurité indiqués dans ce manuel d'utilisation.

Certaines mesures de maintenance et d'entretien doivent être confiées à un spécialiste dûment formé et qualifié. Voir les instructions à la section Maintenance.



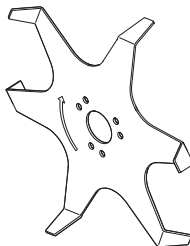
AVERTISSEMENT! Des couteaux en mauvais état augmentent le risque d'accident.

- Ne jamais laisser un enfant utiliser la machine.
- S'assurer qu'aucune personne ne s'approche à moins de 15 m pendant le travail.
- Ne jamais laisser d'autres personnes utiliser la machine sans s'être assuré au préalable que ces personnes ont bien compris le contenu du mode d'emploi.
- Vous devez cultiver seulement à la lumière du jour ou dans un autre éclairage bien adéquat.

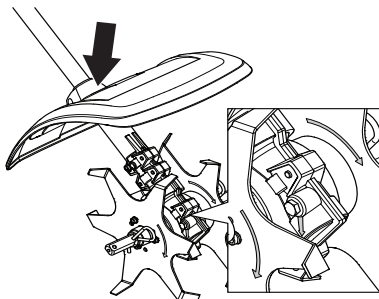
Consignes de sécurité avant la mise en marche

- Inspecter la zone de travail. Enlever tout objet traînant par terre, tels que cailloux, débris de verre, clous, fil de fer, ficelle etc., pouvant être projetés ou s'enrouler autour du couteau ou dans le protège-couteau.
- Maintenir à distance toutes les personnes non concernées par le travail. Les enfants, les animaux, les spectateurs et les collègues de travail devront se trouver en dehors de la zone de sécurité, soit à au moins 15 mètres. Arrêter immédiatement la machine si une personne s'approche.
- Contrôler toute la machine avant de la mettre en marche. Remplacer les pièces endommagées. S'assurer que le carburant ne fuit pas et que toutes les protections et carters sont complets et correctement fixés. Vérifier toutes les vis et écrous.

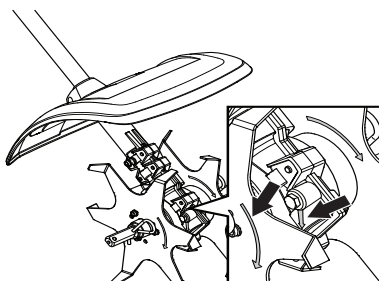
- Contrôler que les couteaux sont intacts et ne présentent ni fissures ni autres dommages. Remplacer les couteaux si nécessaire.



- S'assurer que le protège-couteau est monté et en bon état.



- Contrôler que les couteaux et leur protection sont correctement fixés. Assurez-vous que le sens de rotation des fraises correspond à celui de l'engrenage. Les flèches doivent pointer dans la même direction.



- Contrôler que les couteaux ne tournent pas au ralenti.
- S'assurer que la poignée et le dispositif de sécurité sont en bon état. Ne jamais utiliser une machine dont une pièce est manquante ou ayant été modifiée contrairement aux spécifications.
- Utiliser la machine uniquement pour les travaux auxquels elle est destinée.

Démarrage à froid:

- Faites tourner la machine de base pour la réchauffer puis arrêtez-la.
- Montez l'accessoire selon les instructions de montage.

INSTRUCTIONS DE SÉCURITÉ

Méthodes de travail

IMPORTANT!

Ce chapitre traite des consignes de sécurité de base lors du travail avec un cultivateur.

Dans l'éventualité d'une situation rendant la suite du travail incertaine, consulter un expert. S'adresser au revendeur ou à l'atelier de réparation.

Évitez les tâches pour lesquelles vous ne vous sentez pas suffisamment qualifié.

Règles élémentaires de sécurité



Bien observer la zone de travail:

- S'assurer qu'aucune personne, aucun animal ou aucun autre facteur ne risque de gêner l'utilisateur de la machine.
 - Afin d'éviter que des personnes, des animaux ou autre n'entrent en contact avec l'équipement de coupe ou avec des objets lancés par celui-ci.
 - **REMARQUE!** Ne jamais utiliser une machine s'il n'est pas possible d'appeler au secours en cas d'accident.
- 1 Ne pas travailler par mauvais temps: brouillard épais, pluie diluvienne, vent violent, grand froid, etc. Travailler par mauvais temps est fatiguant et peut créer des conditions de travail dangereuses telles que le verglas.
 - 2 S'assurer de pouvoir se tenir et se déplacer en toute sécurité. Repérer les éventuels obstacles en cas de déplacement imprévu: souches, pierres, branchages, fondrières, etc. Observer la plus grande prudence lors de travail sur des terrains en pente.



- 3 Arrêter le moteur en cas de déplacement.
- 4 Ne jamais placer la machine sur le sol avec le moteur en marche sans pouvoir la surveiller.
- 5 L'outil de coupe doit fonctionner dans le sens opposé à l'opérateur. Ne travaillez jamais en dirigeant l'outil vers l'opérateur, car cela pourrait causer des blessures très graves.

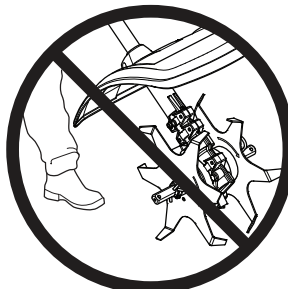
Techniques de travail de base



- Toujours adopter une position de travail sûre et stable.
- Toujours tenir la machine des deux mains. Porter la machine sur le côté droit du corps.



- Veiller à ce que ni les mains, ni les pieds n'entrent en contact avec le couteau lorsque le moteur tourne.



- Toujours tenir les couteaux près du sol.
- Ramener le moteur au régime de ralenti après chaque étape de travail. Laisser le moteur tourner à pleins gaz sans lui faire subir de charge (c'est-à-dire sans la résistance que rencontre le moteur, via l'équipement de coupe, en utilisant la machine) peut endommager sérieusement le moteur.
- Faire preuve d'une extrême prudence en tirant le cultivateur vers soi pendant le travail.
- En cas de fortes vibrations, arrêter la machine. Débrancher le câble d'allumage de la bougie. Contrôler que la machine n'est pas endommagée. Réparer les dommages éventuels.



AVERTISSEMENT! De l'herbe ou des pierres peuvent se coincer dans les couteaux. Toujours arrêter le moteur avant de procéder au nettoyage.

INSTRUCTIONS DE SÉCURITÉ



AVERTISSEMENT! Attention aux objets projetés. Toujours travailler avec des protège-yeux. Ne jamais se pencher au-dessus de la protection de l'équipement de coupe. Des cailloux, débris, etc. peuvent être projetés dans les yeux et causer des blessures très graves, voire la cécité.

Maintenir à distance toutes les personnes non concernées par le travail. Les enfants, les animaux, les spectateurs et les collègues de travail devront se trouver en dehors de la zone de sécurité, soit à au moins 15 mètres (50 ft.). Arrêter immédiatement la machine si une personne s'approche.

L'engrenage peut être très chaud en cours d'utilisation et rester chaud pendant un certain temps après l'utilisation. Vous pourriez être brûlé si vous le touchez.

Consignes de sécurité après le travail



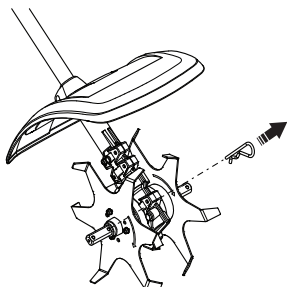
- Avant de commencer les travaux de nettoyage, de réparation ou d'inspection, s'assurer que l'équipement de coupe est arrêté. Débrancher le câble d'allumage de la bougie.
- Utiliser des gants épais pour procéder aux réparations du cultivateur.
- Utiliser uniquement des pièces de rechange d'origine pour réparer la machine.
- Ranger la machine hors de portée des enfants.

ENTRETIEN

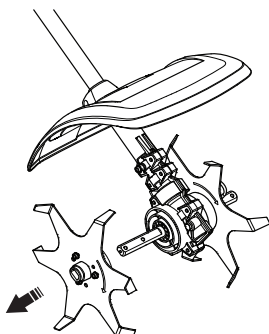
Remplacement des lames



Retirer la goupille fendue.



Retirez l'ensemble de fraise de l'arbre de sortie du carter.



Monter l'ensemble de coupe sur l'arbre de sortie du carter de la boîte d'engrenages. Assurez-vous que le sens de rotation des fraises correspond à celui de l'engrenage. Les flèches doivent pointer dans la même direction.

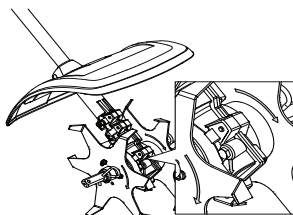
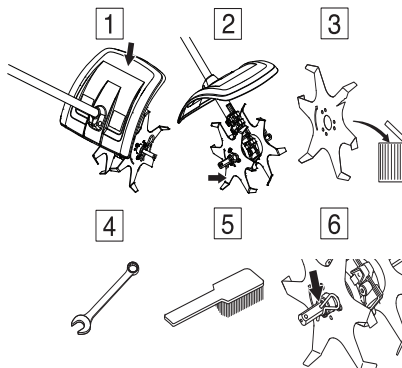


Schéma d'entretien

Nous donnons ici quelques conseils d'entretien à caractère général. Pour plus d'informations, contacter l'atelier de réparation.

Entretien quotidien



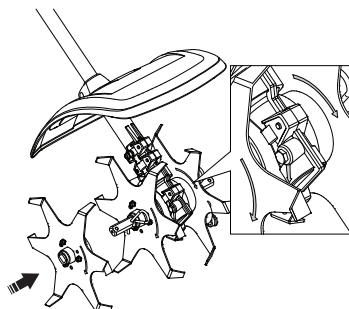
- 1 S'assurer que la protection est intacte et qu'elle ne présente pas de fissures. Remplacer la protection si elle a subi des coups ou si elle présente des fissures.
- 2 Contrôler que les couteaux ne tournent pas au ralenti.
- 3 Contrôler que les couteaux sont intacts et ne présentent ni fissures ni autres dommages. Remplacer les couteaux si nécessaire.
- 4 S'assurer que toutes les vis et tous les écrous sont bien serrés.
- 5 Nettoyer l'extérieur de la machine.
- 6 Vérifiez que les goupilles fendues et les goupilles d'assemblage sont intactes et qu'elles sont fixées de façon adéquate.

Transport et rangement

- En cas de transport, toujours utiliser les dispositifs de tension agréés et vérifier que la machine est bien attachée.
- Avant de remettre la machine pour une période prolongée, veiller à ce qu'elle soit bien nettoyée et que toutes les mesures d'entretien aient été effectuées.

2x fraises

Monter l'ensemble de coupe sur l'arbre de sortie du carter de la boîte d'engrenages. Assurez-vous que le sens de rotation des fraises correspond à celui de l'engrenage. Les flèches doivent pointer dans la même direction.



CARACTÉRISTIQUES TECHNIQUES

Caractéristiques techniques

Caractéristiques techniques CA230

Poids

Poids, lb/kg 2,9
2x fraises 6,2/2,8
4x fraises (accessoire) 8,2/3,7

Dimensions, mm

2x fraises 140
4x fraises (accessoire) 235

Niveaux sonores

(voir rem. 1)

Pression acoustique équivalente au niveau des oreilles de l'utilisateur, mesurée selon ISO 22868, dB(A):

Équipé avec accessoires approuvés (origine) 92,4

Vibrations

(voir remarque 2)

Niveaux de vibrations équivalents (a_{hveq}) mesurés au niveau des poignées selon ISO 22867, en m/s^2 .

Équipé avec accessoires approuvés (origine), gauche/droite 4,2/6,1

Remarque 1: Les données reportées pour le niveau de pression sonore équivalent pour la machine montrent une dispersion statistique typique (déviations standard) de 1 dB (A).

Remarque 2: Les données reportées pour le niveau de vibrations équivalent montrent une dispersion statistique typique (déviations standard) de 1 m/s^2 .

CA230		
Accessoires homologués	Type	Protection
Outil de coupe du cultivateur	4 lames	

ACLARACION DE LOS SIMBOLOS

Símbolos

¡ATENCIÓN!

Una cultivadora puede ser una herramienta peligrosa si se usa incorrectamente o se manipula bruscamente, ya que puede causar lesiones graves o mortales para el operador u otras personas. Es muy importante que lea y comprenda el contenido de este manual del usuario.

Lea detenidamente el manual de instrucciones y asegúrese de entender su contenido antes de utilizar la máquina.



Utilice siempre:

- Protectores auriculares homologados
- Gafas protectoras o visor
- Utilizar mascarilla respiratoria si hay riesgo de que se levante polvo.



Este producto cumple con la directiva CE vigente.



Advertencia: cortadora giratoria. Mantenga las manos y los pies alejados. La flecha indica el sentido de rotación.



Durante el trabajo, el usuario de la máquina debe procurar que ninguna persona o animal se acerque a más de 15 metros (50 ft.) de la máquina.



Utilice siempre guantes protectores homologados.



Utilice botas antideslizantes y seguras.



Mantenga todas las partes del cuerpo lejos de las superficies calientes.

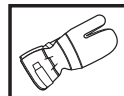
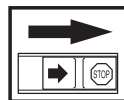


Cuidado con los objetos lanzados o rebotados.

Los demás símbolos/etiquetas que aparecen en la máquina corresponden a requisitos de homologación específicos en determinados mercados.

Los controles y/o mantenimiento deben efectuarse con el motor parado, con el botón de parada en la posición STOP.

Utilice siempre guantes protectores homologados.



Índice

ACLARACION DE LOS SIMBOLOS

Símbolos 265

INDICE

Índice 266

Antes de arrancar, observe lo siguiente: 266

¿QUE ES QUE?

¿Qué es cada elemento del accesorio de cultivadora? 267

INSTRUCCIONES DE SEGURIDAD

Equipo de protección personal 268

Equipo de seguridad de la máquina 268

Instrucciones generales de seguridad 270

Instrucciones generales de trabajo 271

MANTENIMIENTO

Reemplazar las paletas 273

Programa de mantenimiento 273

DATOS TECNICOS

Datos técnicos 274

Antes de arrancar, observe lo siguiente:

Husqvarna AB trabaja constantemente para perfeccionar sus productos y se reserva, por lo tanto, el derecho a introducir modificaciones en la construcción y el diseño sin previo aviso.

La exposición prolongada al ruido puede causar daños crónicos en el oído. Por consiguiente, use siempre protectores auriculares homologados.

Lea detenidamente el manual de instrucciones y asegúrese de entender su contenido antes de utilizar la máquina.

Estas instrucciones son complemento del manual que se adjunta a la máquina. Para más información sobre el manejo, consultar el manual de la máquina.



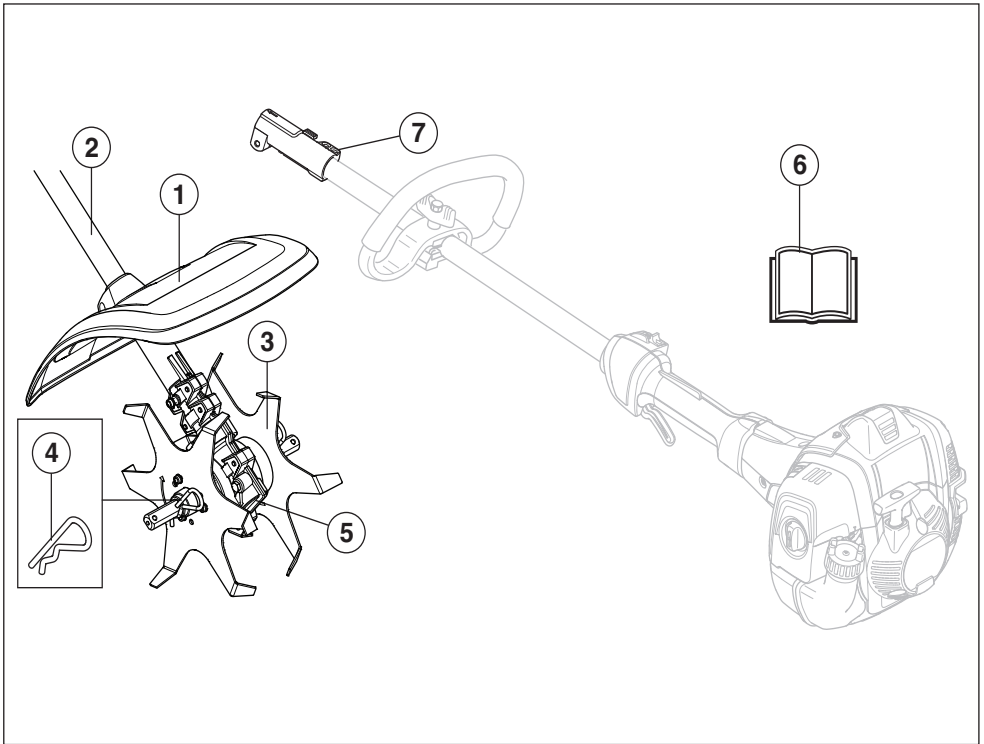
¡ATENCIÓN! Bajo ninguna circunstancia debe modificarse la configuración original de la máquina sin autorización del fabricante. Utilizar siempre recambios originales. Las modificaciones y/o la utilización de accesorios no autorizadas pueden ocasionar accidentes graves o incluso la muerte del operador o de terceros.



¡ATENCIÓN! Este accesorio solo puede utilizarse en conjunto con el cepillo de la cortadora/recortadora indicado, consulte bajo el título 'Accesorios homologados' en el capítulo Datos técnicos del Manual del usuario de la máquina.

El diseño de la máquina fue ideado únicamente para tareas de cultivo.

¿QUE ES QUE?



¿Qué es cada elemento del accesorio de cultivadora?

- | | |
|----------------------------|---------------------------------------------------------|
| 1 Protector de la cuchilla | 5 Caja de engranajes |
| 2 Tubo | 6 Manual de instrucciones |
| 3 Cuchillas | 7 Acoplamiento del tubo (Pertenece a la máquina básica) |
| 4 Pasador de aletas | |

INSTRUCCIONES DE SEGURIDAD

Equipo de protección personal



¡ATENCIÓN! Para trabajar con la máquina debe utilizarse un equipo de protección personal homologado. El equipo de protección personal no elimina el riesgo de lesiones, pero reduce su efecto en caso de accidente. Pida a su distribuidor que le asesore en la elección del equipo. Lea detenidamente el manual de instrucciones y asegúrese de entender su contenido antes de utilizar la máquina.

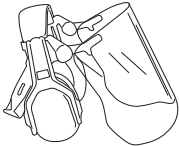


¡ATENCIÓN! Cuando use protección auditiva preste siempre atención a las señales o llamados de advertencia. Sáquese siempre la protección auditiva inmediatamente después de parar el motor.

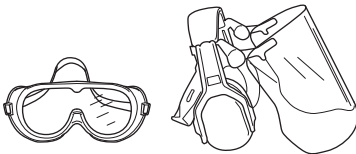
- Se deben utilizar guantes cuando sea necesario.



- Se debe utilizar protección auditiva con suficiente capacidad de reducción sonora.



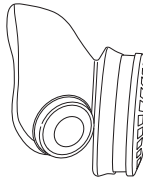
- Se debe utilizar siempre protección ocular homologada. Si se utiliza visor, deben utilizarse también gafas protectoras homologadas. Por gafas protectoras homologadas se entienden las que cumplen con la norma ANSI Z87.1 para EE.UU. o EN 166 para países de la UE. El impacto de ramas y objetos despedidos puede causar heridas en los ojos.



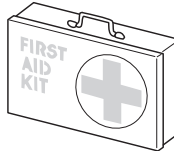
- Utilice botas antideslizantes y seguras.



- Siempre use pantalones largos, botas, guantes y una camisa mangas largas gruesos. Para reducir el riesgo de lesiones asociadas al arrastre de objetos hacia las piezas giratorias, no use ropa, bufandas, joyas, etc. sueltas. Fíjese el cabello de manera que este se mantenga por sobre del nivel de los hombros.
- Utilizar mascarilla respiratoria si hay riesgo de que se levante polvo.



- Tenga siempre a mano el equipo de primeros auxilios.



Equipo de seguridad de la máquina

En este capítulo se describen los componentes de seguridad de la máquina, su función y el modo de efectuar el control y el mantenimiento para garantizar un funcionamiento óptimo. En cuanto a la ubicación de estos componentes en su máquina, vea el capítulo ¿Qué es qué?.

La vida útil de la máquina puede acortarse y el riesgo de accidentes puede aumentar si el mantenimiento de la máquina no se hace de forma adecuada y si los trabajos de servicio y/o reparación no se efectúan de forma profesional. Para más información, consulte con el taller de servicio oficial más cercano.

¡IMPORTANTE! Para trabajar con la máquina debe utilizarse un equipo de protección personal homologado. El equipo de protección personal no elimina el riesgo de lesiones, pero reduce su efecto en caso de accidente. Pida a su distribuidor que le asesore en la elección del equipo.

INSTRUCCIONES DE SEGURIDAD



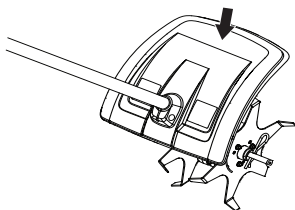
¡ATENCIÓN! Nunca utilice una máquina con componentes de seguridad defectuosos. Siga las instrucciones de control, mantenimiento y servicio indicadas en este capítulo.

Protección del equipo de corte



Esta protección tiene por fin evitar que el usuario reciba el impacto de objetos desprendidos. La protección evita también que el usuario entre en contacto con el equipo de corte.

- Controle que la protección no esté dañada y que no tenga grietas.

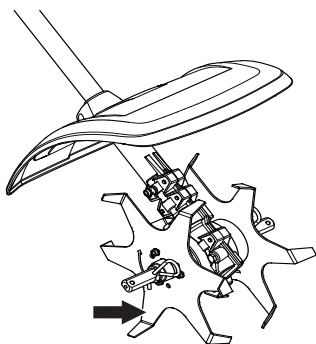


- Cambie la protección si ha estado expuesta a golpes o si tiene grietas.

Equipo de corte



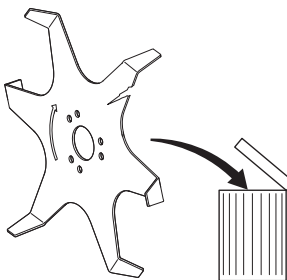
Los dientes están diseñados y fabricados para soportar las cargas que se generen como consecuencia del cultivo.



Las dos reglas básicas:

- 1 Solo use el equipo de corte con las protecciones que recomendamos.

- 2 Revise el equipo de corte para ver si está dañado o agrietado. Un equipo de corte dañado debe ser siempre reemplazado.



¡ATENCIÓN! Siempre detenga el motor antes de realizar alguna tarea en cualquier parte del accesorio. Podría seguir en movimiento, aun cuando se suelta el acelerador. Asegúrese de que el accesorio esté completamente detenido y desconecte los cables de alta tensión de la bujía antes de comenzar a realizar tareas en el accesorio.



¡ATENCIÓN! Nunca utilice una máquina que tenga un equipo de seguridad defectuoso. Efectúe el control y mantenimiento del equipo de seguridad de la máquina como se describió en este capítulo. Si su máquina no pasa todos los controles, entréguela a un taller de servicio para su reparación.

INSTRUCCIONES DE SEGURIDAD

Instrucciones generales de seguridad

¡IMPORTANTE!

Utilice la máquina solamente para el uso al que está destinada. El diseño de la máquina fue ideado únicamente para tareas de cultivo.

Nunca utilice la máquina si está cansado, si ha ingerido alcohol o si toma medicamentos que puedan afectarle la vista, su capacidad de discernimiento o el control del cuerpo.

Utilice el equipo de protección personal. Vea las instrucciones bajo el título "Equipo de protección personal".

No utilice nunca una máquina que haya sido modificada de modo que ya no coincida con la configuración original.

Nunca utilice la máquina en condiciones atmosféricas extremas como frío intenso o clima muy caluroso y/o húmedo.

No utilice nunca una máquina defectuosa. Lleve a cabo las comprobaciones de seguridad y siga las instrucciones de mantenimiento y servicio de este manual. Algunas medidas de mantenimiento y servicio deben ser efectuadas por especialistas formados y cualificados. Consulte las instrucciones del apartado Mantenimiento.



¡ATENCIÓN! Las cuchillas defectuosas pueden aumentar el riesgo de accidentes.

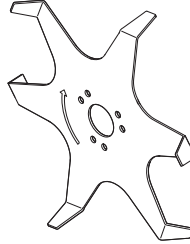
- No permita nunca que los niños utilicen la máquina.
- Controle que nadie se acerque a menos de 15 metros durante el trabajo.
- Nunca deje que terceros utilicen la máquina sin asegurarse primero de que hayan entendido el contenido de este manual de instrucciones.
- Solo debe realizar tareas de cultivo durante el día o con buena iluminación.

Instrucciones de seguridad antes de comenzar el trabajo

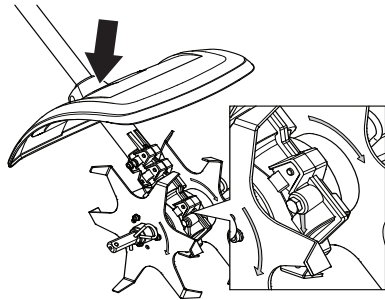
- Inspeccione el lugar de trabajo. Retire todos los objetos sueltos, como piedras, cristales rotos, clavos, alambre de acero, cuerdas, etc. que puedan ser despedidos o enredarse en la cuchilla o la protección de ésta.
- Mantenga alejados a los terceros. Los niños, animales, curiosos y ayudantes deben mantenerse fuera de la zona de seguridad de 15 metros. Pare la máquina inmediatamente si alguien se acerca.
- Revise toda la máquina antes de comenzar. Cambie las piezas dañadas. Compruebe que no haya fugas

de combustible y que todos los protectores y las cubiertas estén completos y que se hayan sujetado firmemente. Inspeccione todas las tuercas y tornillos.

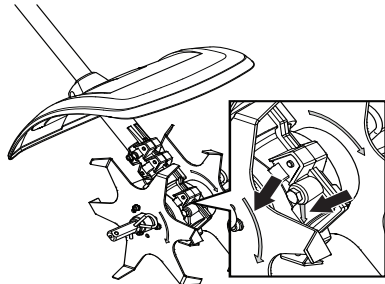
- Compruebe que las cuchillas están intactas y que no tienen grietas ni otros daños. Cambie las cuchillas si es necesario.



- Asegúrese de que el protector de la cortadora esté bien puesto y no esté dañado.



- Compruebe que los dientes y el protector de los dientes estén correctamente sujetados. Asegúrese de que el sentido de rotación coincida con las cuchillas y con la flecha en el engranaje. Las flechas deben apuntar hacia la misma dirección.



- Controle que las cuchillas no giren en lentí.
- Asegúrese de que las funciones de seguridad y manipulación estén bien. Nunca utilice una máquina a la que le falten partes o que haya sido modificada según la especificación.
- Utilice la máquina solamente para el uso al que está destinada.

INSTRUCCIONES DE SEGURIDAD

Cuando arranque en frío:

- Haga funcionar la máquina básica hasta que se caliente y, a continuación, apáguela.
- Arme el accesorio según las instrucciones de montaje.

Instrucciones generales de trabajo

¡IMPORTANTE!

En esta sección se incluyen las precauciones básicas de seguridad para trabajar con una cultivadora.

Cuando se vea en una situación insegura para continuar el trabajo, debe consultar a un experto. Póngase en contacto con su distribuidor o taller de servicio.

Evite todo uso para el cual no se sienta suficientemente calificado.

Reglas básicas de seguridad



Observe el entorno para:

- Comprobar que no hayan personas, animales, etc., que puedan influir en su control de la máquina.
 - Para evitar que personas, animales, etc. entren en contacto con el equipo de corte u objetos lanzados por el equipo de corte.
 - ¡NOTA! No use nunca una máquina si no tiene posibilidad de pedir auxilio si se produce un accidente.
- 1 No trabaje en condiciones atmosféricas desfavorables como niebla, lluvia intensa, tempestad, frío intenso, etc. Trabajar con mal tiempo es cansador y puede crear condiciones peligrosas, por ejemplo suelo resbaladizo.
 - 2 Compruebe que pueda caminar y mantenerse de pie con seguridad. Vea si hay eventuales impedimentos para desplazamientos imprevistos (raíces, piedras,

ramas, fosos, zanjas, etc.). Proceda con sumo cuidado al trabajar en terreno inclinado.



- 3 Para desplazar la máquina debe pararse el motor.
- 4 No apoye nunca la máquina con el motor en marcha sin tenerla bajo control.
- 5 La herramienta de corte debe usarse en dirección opuesta al operador. Nunca trabaje con la herramienta apuntando hacia el operador, ya que esto podría causar lesiones graves.

Técnica básica de trabajo



- Cerciórese siempre de tener una posición de trabajo segura y firme.
- Siempre sujete la máquina con ambas manos. Mantenga la máquina a la derecha de su cuerpo.



INSTRUCCIONES DE SEGURIDAD

- Asegúrese de que las manos y los pies no se acerquen a la cortadora cuando el motor está en funcionamiento.



- Mantenga siempre los dientes cerca del suelo.
- Después de cada momento de trabajo reduzca siempre la velocidad del motor a ralentí. Un tiempo demasiado largo a máxima velocidad sin que el motor esté cargado (es decir sin la resistencia que el motor recibe a través del equipo de corte al trabajar con la máquina) puede averiar seriamente el motor.
- Preste especial atención cuando acerque la cultivadora hacia usted durante el trabajo.
- Si se producen vibraciones excesivas, detenga la máquina. Desconecte el cable de alta tensión de la bujía. Compruebe que la máquina no esté dañada. Repare cualquier daño.



¡ATENCIÓN! A veces, se pueden quedar atascados pasto y piedras en los dientes. Siempre detenga el motor cuando realice tareas de limpieza.

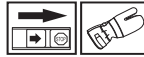


¡ATENCIÓN! Cuidado con los objetos lanzados. Utilice siempre protección ocular. No se incline nunca sobre la protección del equipo de corte. Pueden salir lanzadas piedras, basura, etc. hacia los ojos y causar ceguera o heridas graves.

Mantenga alejados a los terceros. Los niños, animales, curiosos y ayudantes deben mantenerse fuera de la zona de seguridad de 15 metros (50 ft.). Pare la máquina inmediatamente si alguien se acerca.

El engranaje puede calentarse durante el uso y es posible que permanezca caliente por un largo tiempo. Si lo toca, puede quemarse.

Instrucciones de seguridad después del trabajo

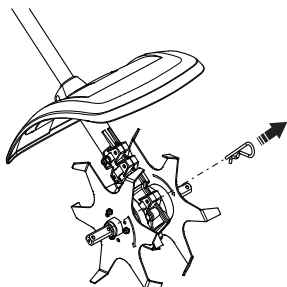


- Antes de la limpieza, reparación o inspección, cerciére de que el equipo de corte se haya detenido. Desconecte el cable de encendido de la bujía.
- Cuando repare la cultivadora, use guantes para trabajos pesados.
- Para las reparaciones, utilice solamente repuestos originales.
- Guarde la máquina fuera del alcance de los niños.

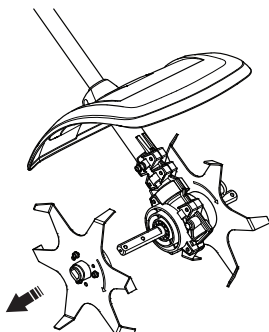
Reemplazar las paletas



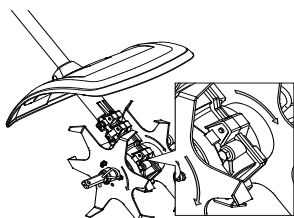
Afloje el pasador partido.



Extraiga el paquete de la cuchilla del eje de salida de la caja de engranajes.



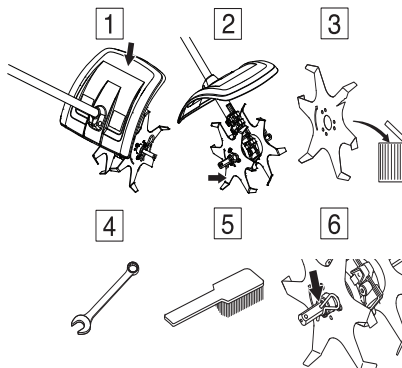
Monte el paquete de la cuchilla en el eje de salida de la caja de engranajes. Asegúrese de que el sentido de rotación coincida con las cuchillas y con la flecha en el engranaje. Las flechas deben apuntar hacia la misma dirección.



Programa de mantenimiento

A continuación, se indican algunas instrucciones generales de mantenimiento. Si Ud. necesita mayor información póngase en contacto con el taller de servicio.

Mantenimiento diario



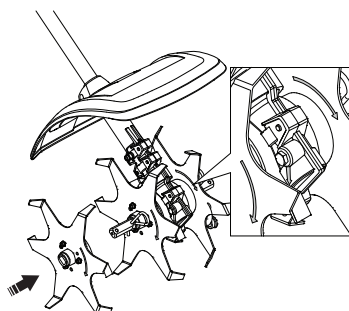
- 1 Controle que la protección no esté dañada y que no tenga grietas. Cambie la protección si ha estado expuesta a golpes o si tiene grietas.
- 2 Controle que las cuchillas no giren en ralentí.
- 3 Compruebe que las cuchillas están intactas y que no tienen grietas ni otros daños. Cambie las cuchillas si es necesario.
- 4 Compruebe que los tornillos y las tuercas estén apretados.
- 5 Limpie la parte exterior de la máquina.
- 6 Compruebe que los pasadores partidos no estén dañados y que estén bien sujetos.

Transporte y almacenamiento

- Para transportar la máquina utilice siempre dispositivos de sujeción aprobados y asegúrese de que la máquina esté bien anclada.
- Antes del almacenaje prolongado, limpie bien la máquina y haga el servicio completo.

2 cortadoras

Monte el paquete de la cuchilla en el eje de salida de la caja de engranajes. Asegúrese de que el sentido de rotación coincida con las cuchillas y con la flecha en el engranaje. Las flechas deben apuntar hacia la misma dirección.



DATOS TECNICOS

Datos técnicos

Datos técnicos **CA230**

Peso

Peso, lb/kg 2,9
2 cortadoras 6,2/2,8
4 cortadoras (accesorio) 8,2/3,7

Dimensiones, mm

2 cortadoras 140
4 cortadoras (accesorio) 235

Niveles acústicos

(ver la nota 1)

Nivel de presión sonora equivalente en la oreja del usuario, medido según ISO 22868, dB(A):

Equipado con un accesorio homologado (original) 92,4

Vibraciones

(vea la nota 2)

Niveles de vibración equivalentes ($a_{hv, eq}$) en las empuñaduras, medidos según la norma ISO 22867, m/s^2 .

Equipado con un accesorio homologado (original), izquierdo/derecho 4,2/6,1

Nota 1: Los datos referidos del nivel de presión sonora equivalente de la máquina tienen una dispersión estadística habitual (desviación típica) de 1 dB (A).

Nota 2: Los datos referidos del nivel de vibración equivalente poseen una dispersión estadística habitual (desviación típica) de 1 m/s^2 .

CA230		
Accesorios homologados	Tipo	Protección
Cortadora de la cultivadora	x4 hojas	

Original instructions
Bruksanvisning i original
Originale instruktioner
Originale instruksjoner
Alkuperäiset ohjeet
Originalanweisungen
Instructions d'origine
Originele instructiões
Instrucciones originales
Instruções originais
Istruzioni originali
Originaaljuhend
Instrukcijas oriģinālvalodā
Originalios instrukcijos

Původní pokyny
Pôvodné pokyny
Instrukcja oryginalna
Eredeti útmutatás
Izvirna navodila
Instrucțiuni inițiale
Oriģinal talimatlar
Оригинальные инструкции
Оригинални инструкции
Αρχικές οδηγίες
Original instructions
Instructions d'origine
Instrucciones originales

1156882-38



2015-05-21