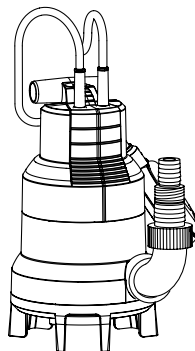


6000
Art. 1777



6000
Art. 1790

D Betriebsanleitung
Tauchpumpe/Schmutzwasserpumpe

GB Operation Instructions
Submersible Pump/Dirty Water Pump

F Mode d'emploi
Pompe pour eaux claires/
Pompe pour eaux chargées

NL Gebruiksaanwijzing
Dompelpomp/Vuilwaterpomp

S Bruksanvisning
Dränkbar pump/Spillvattenpump

DK Brugsanvisning
Dykpumpe/Pumpe til snavset vand

FI Käyttöohje
Urrorumppu/Likavesipumppu

N Bruksanvisning
Lensepumpe/
Lensepumpe for urent vann

I Istruzioni per l'uso
Pompa sommersa/
Pompa sommersa per acqua sporca

E Instrucciones de empleo
Bomba sumergible/
Bomba para aguas sucias

P Manual de instruções
Bomba submersível/
Bomba para esgotos

PL Instrukcja obsługi
Pompa zanurzeniowa/
Pompa do brudnej wody

H Használati utasítás
Merülőszivattyú/Szennyvízszivattyú

CZ Návod k obsluze
Ponorné čerpadlo/Kalové čerpadlo

SK Návod na obsluhu
Ponorné čerpadlo/Kalové čerpadlo

GR Οδηγίες χρήσης
Υποβρύχια αντλία/αντλία λυμάτων

RUS Инструкция по эксплуатации
Погружной насос/Грязевой насос

SLO Navodilo za uporabo
Potopna črpalka/
Črpalka za odpadno vodo

HR Upute za uporabu
Uronjiva pumpa/
Pumpa za prljavu vodu

SRB Uputstvo za rad
Potopna pumpa/
Pumpa za prljavu vodu

UA Інструкція з експлуатації
Занурений насос/
Грязьовий насос

RO Instrucțiuni de utilizare
Pompă submersibilă/
Pompă pentru apă murdară

TR Kullanma Kılavuzu
Dalgiç Pompa/Kirlı Su Pompası

BG Инструкция за експлоатация
Потопяема дренажна помпа/
Помпа за мръсна вода

AL Manual përdorimi
Pompë zhytëse/
Pompë për ujın e ndotur

EST Kasutusjuhend
Uputatav pump/Reoveepump

LT Eksploatavimo instrukcija
Panardinamas siurblys/
Purvino vandens siurblys

LV Lietošanas instrukcija
Legremdējamais sūknis/
Netirā ūdens sūknis

GARDENA Submersible Pump Type 6000 / Dirty Water Pump Type 6000



Translation of the original German operating instructions.

Please read the operating instructions carefully and observe the notes given. Use these operating instructions to familiarise yourself with the product, the proper use and the safety instructions.



Never operate the product when you are tired, ill or under the influence of alcohol, drugs or medicine.

This product may be used under supervision, or if instruction regarding the safe use of the product has been provided and the resulting dangers have been understood, by children aged 8 and above, as well as by persons with physical, sensory or mental disabilities or a lack of experience and knowledge. Children must not be allowed to play with the product. Cleaning and user maintenance must not be performed by children without supervision. The use of this product by young people under the age of 16 is not recommended.

→ Keep these operating instructions in a safe place.

Contents:

1. Where to use your GARDENA Pump	10
2. Safety Instructions	11
3. Using the Pump for the First Time.	12
4. Operation	13
5. Storage	14
6. Cleaning.	14
7. Troubleshooting	15
8. Technical Data	16
9. Service/Warranty	16

1. Where to use your GARDENA Pump

Correct use:

The GARDENA pump is intended for private use around the house and garden. It is primarily intended for drainage purposes if flooding (please ensure this word is not split over 2 lines) occurs but also for transferring water to and from tanks and pumping them out, for drawing water from wells and shafts, for draining boats and yachts and for aerating and circulating water for limited periods.

Liquid conveyed:

The GARDENA pump is suitable for conveying:

- Submersible pump Type 6000: clean to slightly dirty water with a max. particle size of 5 mm,
- Dirty water pump Type 6000: dirty water with a max. particle size of 25 mm,

and swimming pool water (provided that the additives have been measured and added in accordance with manufacturers' instructions) and soapy water.

The pump can be fully submerged (watertight encapsulation) and can be lowered down to a depth of 7 m into the water.

Please note:



The GARDENA pump is not intended for long term use (e.g. use for continuous circulation) in a pond. The length of life of the pump will be shortened accordingly if used in this way. Corrosive, flammable or explosive substances (e.g. petrol, paraffin, cellulose thinners); grease, oil, salt water and sewage must not be conveyed by the pump. The temperature of the liquid conveyed may not exceed 35 °C.

2. Safety Instructions

Electrical safety



DANGER! Electric shock!

The pump must not be operated if there are people in the swimming pool or garden pond.

→ **Ensure that the electrical plug and socket connections are fitted in an area which cannot flood.**

→ **Protect power plug from moisture.**



DANGER! Electric shock!

With a cut off mains plug, moisture can get into electrical parts via the mains cable and cause a short circuit.

→ **Never cut the mains plug off (e.g. to feed through wall).**

→ **Don't use the power cable for plugging off.**

According to DIN VDE (German Electrical Engineers' Association) 0620, mains power cables must not have a smaller cross-section than the rubber-sheathed cables of the designation H05RN-F. The cable length must be at least 10 m.

Data indicated on the type plate must match technical data of the mains supply.

According to DIN VDE 100 / AS/NZS 3000, pumps may only be operated in swimming pools, garden ponds and wells via a fault current circuit breaker with a nominal fault current of ≤ 30 mA.

Swimming pools and garden ponds should be designed according to international and national design regulations.

For safety reasons we recommend that the pump is always operated by a residual-current device (DIN VDE 0100-702 and 0100-738).

→ If in doubt please consult a qualified electrician.

Protect plug and power cable from heat, oil and sharp edges.

The connection cable of the pump cannot be replaced. If the cable is damaged the pump must be scrapped.

→ Do not pull out the power cable from the socket as a method of turning the pump off.

The power cable or the float switch must not be used for mounting or relocating the pump.

For submerging or lifting/securing the pump, fix a rope to the pump's carrying handle.

In Austria, according to ÖVE B/EN 60 555 parts 1 to 3, pumps which are used in swimming pools and garden ponds, and equipped with firm power cable should be fed via an ÖVE approved isolating transformer – rated voltage must not exceed 230 V.

In Switzerland mobile appliances which are used outdoors must be connected via a residual-current device.

Operating instructions

→ Before operating the pump look to see if there is any damage to the pump (especially to the power cable and plug).

→ Clear the outlet line before use. Avoid running the pump with the outlet side closed off for more than 10 minutes against closed delivery side of the pump.

→ Observe the minimum water level and the max. delivery height (see **8. Technical Data**).

A damaged pump must not be used.

→ In case of damage, please have the pump checked by our GARDENA Service Centre.

Dry-running operation causes increased wear and is to be avoided. Therefore, in manual operation the pump must be immediately unplugged when water fails to flow.

→ Observe the pump at all times during manual operation.

Take care that the pump is located where the inlet openings at the suction base are not obstructed neither completely nor partly.

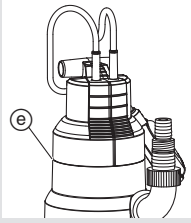
Stand the pump on a brick if using in a pond.
Leaking lubricants can contaminate the pumped liquid.

Safety instructions

Thermal motor protector

The pump is automatically switched off on overheating by the built-in thermal motor protector. After having cooled down, the motor automatically switches on again (see **7. Troubleshooting**).

Automatic Air bleed valve



The automatic air bleed valve eliminates any air pockets in the pump. During this process, air escapes through the vent bores ⑤ and air bubbles appear underwater. This is not a defect of your pump, but serves to

deerate the pump, but serves to remove air from the pump.

It may take several seconds for the air to escape when the pump is immersed for the first time.

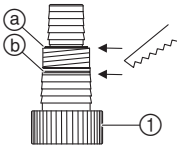
Warning! This unit makes an electromagnetic field while it operates. This field may under some conditions interfere with active or passive medical implants. To decrease the risk of conditions that can possibly injure or kill, we recommend persons with medical implants to speak with their physician and the medical implant manufacturer before operating.

Warning! Keep toddlers away when you assemble the unit. Small parts can be easily swallowed. There is also a risk that the polybag can suffocate toddlers.

3. Using the Pump for the First Time

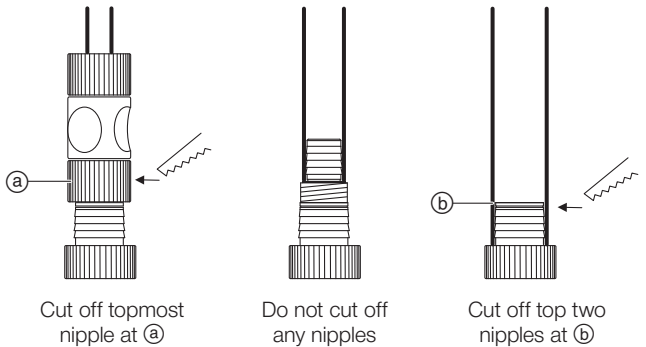
Hose diameter	13 mm (1/2")	15 mm (5/8")	25 mm (1")	38 mm (1 1/2")
	15 mm (5/8")			
	19 mm (3/4")			

Hose connection of universal fitting ①



Hose connection

Connection kits needed for 13 – 19 mm hoses:



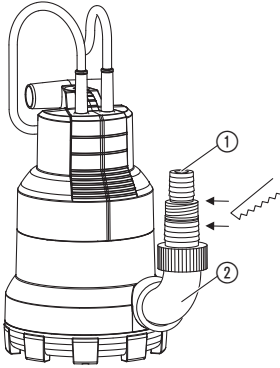
13 mm (1/2"): GARDENA Pump Connection Set, Art. No. 1750

15 mm (5/8"): Tap Connector Art. No. 18202 and Hose Connector Art. No. 18216

19 mm (3/4"): GARDENA Pump Connection Set, Art. No. 1752

Best results in delivery capacity are achieved when using 38 mm (1 1/2") hoses.

Connecting the hose:



The universal fitting ① allows connection of all the hoses listed in the table above.

1. Screw L-piece ② into the pump.
2. Cut off nipples of the universal ① fitting which are not needed, to match the hose connection.
3. Screw the universal fitting ① onto the pump.
4. Connect the hose to the universal fitting ①.

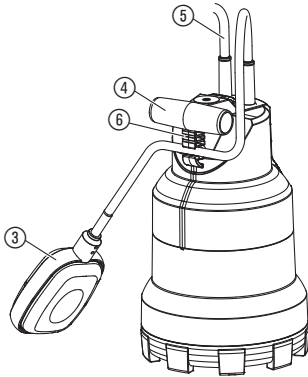
We recommend that 38 mm (1 1/2")- and 25 mm (1") hoses should be fastened with an additional **GARDENA hose clamp Art. No. 7193**.

Only for 13 mm (1/2") hose:

The universal fitting ① can also be equipped with a **GARDENA Regulator Valve Art. No. 977** so that the contents of the outlet line do not flow back through the pump after pumping. The Regulator Valve can be ordered from your GARDENA dealer.

4. Operation

Automatic operation:



The float switch ③ turns the pump on automatically when the water level exceeds the cut-in height and the water is pumped out.

The float switch ③ turns the pump off again as soon as the water level falls below the cut-out height.

1. Stand the pump on a firm surface
 – or –
 use a rope attached through the bore hole in the carrying handle ④ to immerse the pump in a well or shaft.
During automatic operation, ensure that the float switch ③ can move freely.
2. Plug the power cable ⑤ into a mains socket.

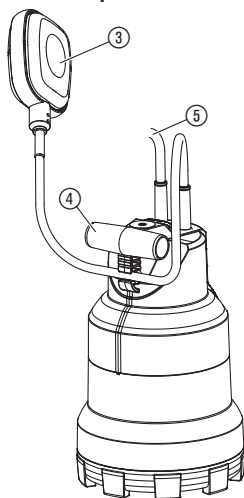
Adjusting the Cut-in and Cut-out Height:

(Minimum depth for switching on and off, see **8. Technical Data.**)

- Push the cable of the float switch ③ into the float switch lock ⑥.
Do not select a cable length that is too long or short to ensure that the float switch can turn on and off properly.

The cable length between the float switch ③ and the float switch lock ⑥ must always be at least 10 cm.

- The shorter the length of cable between the float switch ③ and the float switch lock ⑥, the lower the cut-in height and the higher the cut-out height.

Manual operation:

To ensure that the pump can draw in water, the level must be above the minimum water level at start-up (see **8. Technical Data**).

The pump remains constantly in operation because it is switched on manually by raising the float switch.

1. Stand the pump on a firm surface
– or –
use a rope attached through the bore hole in the carrying handle ④ to immerse the pump in a well or shaft.
2. Plug the power cable ⑤ into a mains socket.
3. Fix float switch ③ vertically above the pump (with the cable at the bottom).

As long as the float switch is positioned vertically above the pump, the pump will operate regardless of the water level.

The minimum residual water depth (see **8. Technical Data**) is only achieved in manual mode because the float switch already switches off the pump before this when in automatic mode.

5. Storage

To put into storage:

→ Clean and store the pump in a frost-free place before the first frost arrives.

Disposal:

*(in accordance with
RL 2012/19/EU)*



The product must not be added to normal household waste. It must be disposed of in line with local environmental regulations.

→ Important: Make sure that the unit is disposed of via your municipal recycling collection centre.

6. Cleaning

Flushing the pump:

The GARDENA should not require regular maintenance.

After pumping chlorinated swimming pool water or other liquids leaving residues, the pump should be rinsed with clear water.

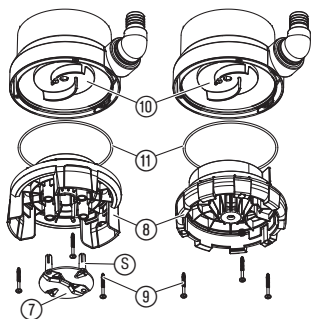
Cleaning the suction base and feed impeller:

The warranty does not become void as a result of this maintenance work

**WARNING! Electric shock!**

Risk of injury due to electric shock.

→ **Disconnect the pump from the mains before cleaning the suction base and feed impeller.**



1. Unscrew the cross-head screws ⑨ and remove the suction base ⑧ from the pump.
2. Press snap hooks ⑤ together and remove safety cover ⑦ from suction foot ⑧ and clean.
3. Clean suction foot ⑧ and impeller ⑩.
4. Refit suction foot ⑧ and screw in the cross-head screws ⑨ again. During this, ensure that the sealing ring ⑪ is seated correctly.
5. Reinsert the safety cover ⑦ in the suction foot ⑧ again.

For safety reasons a damaged feed impeller ⑩ can only be exchanged by the GARDENA Service Centre.

7. Troubleshooting



WARNING! Electric shock!

Risk of injury due to electric shock.

→ Disconnect the pump from the mains before rectifying faults.

Problem	Possible Cause	Remedy
Pump is running, but does not deliver	Air cannot escape as pressure line is closed (e.g. kinked pressure pipe).	→ Open pressure line.
	Air locks in the suction base.	→ Wait for max. 60 seconds until the pump deaerates automatically over the vent valve. If necessary, switch off and start it again.
	Feed impeller clogged.	→ Disconnect plug and clean feed impeller (see 6. Cleaning).
	When starting the pump, water height falls below the minimum water level.	→ Submerge pump deeper into water.
Pump doesn't start or suddenly stops during operation	Thermal overload switch has switched the pump off due to overheating.	→ Disconnect plug and clean feed impeller (see 6. Cleaning). Observe maximum water temperature of 35 °C.
	No power.	→ Check fuse and electrical plug and socket connections.
	Dirt particles are jammed in the suction base.	→ Disconnect plug and clean suction base (see 6. Cleaning).
Pump runs, but output suddenly decreases	Suction base is clogged.	→ Disconnect plug and clean suction base (see 6. Cleaning).



For any other malfunctions please contact the GARDENA service department. Repairs must only be carried out by GARDENA service departments or specialist dealers authorised by GARDENA.

8. Technical Data

	Type 6000 (Art. No. 1777)	Type 6000 (Art. No. 1790)
Mains voltage/mains frequency	220 – 240 V AC / 50 Hz	220 – 240 V AC / 50 Hz
Rated Power	220 W	220 W
Connection cable	10 m; H05RN-F	10 m; H05RN-F
Max. delivery capacity	6000 l/h	6000 l/h
Max. pressure/head	0.5 bar/5 m	0.5 bar/5 m
Max. submersion depth	7 m	7 m
Min. depth of water for switching on	approx. 330 mm	approx. 350 mm
Min./max. depth for switching off	approx. 50 mm/95 mm	approx. 65 mm/120 mm
Residual depth of water	Empties down to approx. 5 mm	25 mm
Dirty water with max. particle diameter	Ø 5 mm	Ø 25 mm
Pump connection	38 mm (1 1/2")- / 25 mm (1")-stepped connection. Option GARDENA plug-in connection water hose system for connecting 13 mm (1/2") / 15 mm (5/8") / 19 mm (3/4") hoses.	
Minimum water level at start-up	50 mm	75 mm
Weight	approx. 3.1 kg	approx. 3.2 kg
Max. water temperature	35 °C	35 °C

Cut-in/Cut-out height:

The cut-in and cut-out height varies. The residual water height is only reached during manual operation (see **4. Operation**).

9. Service/Warranty

Service:

Please contact the address on the back page.

Guarantee:

GARDENA Manufacturing GmbH guarantees this unit for 2 years (from date of purchase). This guarantee covers all serious defects of the unit that can be proved to be material or manufacturing faults. Under warranty we will either replace the unit or repair it free of charge if the following conditions apply:

- The unit must have been handled properly and in keeping with the requirements of the operating instructions.
- Neither the purchaser or a non-authorized third party have attempted to repair the unit.

The feed impeller is a wearing part and is not covered by the guarantee.

This manufacturer's guarantee does not affect the user's existing warranty claims against the dealer/seller.

If you have problems with this unit, please contact our Service.

D Produkthaftung

Wir weisen ausdrücklich darauf hin, dass wir nach dem Produkthaftungsgesetz nicht für durch unsere Geräte hervorgerufene Schäden einzustehen haben, sofern diese durch unsachgemäße Reparatur verursacht oder bei einem Teileaustausch nicht unsere originale GARDENA Teile oder von uns freigegebene Teile verwendet wurden und die Reparatur nicht vom GARDENA Service oder dem autorisierten Fachmann durchgeführt wird. Entsprechendes gilt für Ergänzungsstücke und Zubehör.

GB Product Liability

We expressly point out that, in accordance with the product liability law, we are not liable for any damage caused by our units if it is because of improper repair or if parts replaced are not original GARDENA parts or approved parts, and, if the repairs were not done by a GARDENA Service Centre or an approved specialist. The same applies to spare parts and accessories.

F Responsabilité

Nous vous signalons expressément que GARDENA n'est pas responsable des dommages causés par ses appareils, dans la mesure où ces dommages seraient causés suite à une réparation non conforme, dans la mesure où, lors d'un échange de pièces, les pièces d'origine GARDENA n'auraient pas été utilisées, ou si la réparation n'a pas été effectuée par le Service Après-Vente GARDENA ou l'un des Centres SAV agréés GARDENA. Ceci est également valable pour tout ajout de pièces et d'accessoires autres que ceux préconisés par GARDENA.

NL Productaansprakelijkheid

Wij wijzen er nadrukkelijk op, dat wij op grond van de wet aansprakelijkheid voor producten niet aansprakelijk zijn voor schade ontstaan door onze apparaten, indien deze door onvakkundige reparatie veroorzaakt zijn, of er bij het uitwisselen van onderdelen geen gebruik gemaakt werd van onze originele GARDENA onderdelen of door ons vrijgegeven onderdelen en de reparatie niet door de GARDENA technische dienst of de bevoegde vakman uitgevoerd werd. Ditzelfde geldt voor extra-onderdelen en accessoires.

S Produktansvar

Tillverkaren är inte ansvarig för skada som orsakats av produkten om skadan beror på att produkten har reparerats felaktigt eller om, vid reparation eller utbyte, andra än Original GARDENA reservdelar har använts. Samma sak gäller för kompletteringsdelar och tillbehör.

DK Produktansvar

Vi gør udtrykkeligt opmærksom på, at vi i henhold til produktansvarsloven ikke er ansvarlige for skader forårsaget af vores udstyr, såfremt det sker på grund af uautoriserede reparationer eller hvis dele er skiftet ud og der ikke er anvendt originale GARDENA dele eller dele godkendt af os, eller hvis reparationerne ikke er udført af GARDENA-service eller en autoriseret fagmand. Det samme gælder for ekstra udstyr og tilbehør.

FI Tuotevastuu

Korostamme nimenomaan, että tuotevastuulain nojalla emme ole vastuussa laitteistamme johtuneista vahingoista, mikäli nämä ovat aiheutuneet epäasianmukaisesta korjauksesta tai osia vaihdettaessa ei ole käytetty alkuperäisiä GARDENA-varaosia tai hyväksymiämme osia ja korjauksen on suorittanut muu kuin GARDENA-huoltokeskus tai valtuuttamamme ammattihenkilö. Tämä pätee myös lisäosiin ja lisävarusteisiin.

I Responsabilità del prodotto

Si rende espressamente noto che, conformemente alla legislazione sulla responsabilità del prodotto, non si risponde di danni causati da nostri articoli se originati da riparazioni eseguite non correttamente o da sostituzioni di parti effettuate con materiale non originale GARDENA o comunque da noi non approvato e, in ogni caso, qualora l'intervento non venga eseguito da un centro assistenza GARDENA o da personale specializzato autorizzato. Lo stesso vale per le parti complementari e gli accessori.

E Responsabilidad de productos

Advertimos que conforme a la ley de responsabilidad de productos no nos responsabilizamos de daños causados por nuestros aparatos, siempre y cuando dichos daños hayan sido originados por arreglos o reparaciones indebidas, por recambios con piezas que no sean piezas originales GARDENA o bien piezas no autorizadas por nosotros, así como en aquellos casos en que la reparación no haya sido efectuada por un Servicio Técnico GARDENA o por un técnico autorizado. Lo mismo es aplicable para las piezas complementarias y accesorios.

P Responsabilidade sobre o produto

Queremos salientar que segundo a lei da responsabilidade do fabricante, nós não nos responsabilizaremos por danos causados pelo nosso equipamento, quando estes ocorrerem em decorrência de reparações inadequadas ou da substituição de peças por peças não originais da GARDENA, ou peças não autorizadas.

A responsabilidade tornar-se-á nula também depois de reparações realizadas por oficinas não autorizadas pela GARDENA. Esta restrição valerá também para peças adicionais e acessórios.

PL Odpowiedzialność za produkt

Zwracamy Państwa uwagę, że nie ponosimy odpowiedzialności za uszkodzenia naszych maszyn, bądź szkody spowodowane ich wadliwym funkcjonowaniem, powstałe na skutek nieprawidłowo przeprowadzonych napraw lub użycia nieoryginalnych części zamiennych. Naprawy winny być przeprowadzane tylko przez punkty serwisowe Husqvarna lub autoryzowane serwisy. Dotyczy to również części uzupełniających i oprzyrządowania.

H Termékszavatosság

Nyomatékosan utalunk arra a tényre, hogy a termékszavatossági törvény szerint nem kell jótállást vállalnunk azokra a károokra, amelyeket nem a mi készülékeink okoztak, ha ezeket szakszerűtlen javítás okozta vagy egy alkatrész kicserélésénél nem a mi eredeti GARDENA alkatrészeinket vagy általunk engedélyezett alkatrészeket használták fel és a javítást nem a GARDENA szerviz vagy egy erre felhatalmazott szakember végezte. Hasonlóképpen érvényes ez a kiegészítő alkatrészekre és tartozékokra is.

CZ Odpovědnost za výrobek

Výslovně upozorňujeme na to, že podle zákona o odpovědnosti za výrobek neneseme odpovědnost za škody způsobené našimi přístroji, pokud byly způsobené neodbornou opravou nebo použitím jiných než našich originálních náhradních dílů GARDENA nebo námi schválených dílů a neprovedením opravy servisem GARDENA nebo autorizovaným odborníkem. Odpovídající platí i pro doplňkové díly a příslušenství.

SK Predmet záruky

Upozorňujeme dôrazne na to, že podľa zákona o poskytovaní záruk nezodpovedáme za škody spôsobené našimi výrobkami, v prípade, že boli boli vyvolané neodbornými opravami, výmenou dielcov, ktoré nepatria k originálnym dielom GARDENA alebo neboli nami schválené rovnako boli spôsobené servisnými zásahmi, ktoré neboli vykonané servisom GARDENA alebo autorizovaným odborníkom. Rovnako to platí pre doplnky a príslušenstvo.

GR Ευθύνη για το προϊόν

Σας υπενθυμίζουμε ρητά, ότι σύμφωνα με το νόμο περί ευθύνης για τα προϊόντα δεν ευθυνόμαστε για ενδεχόμενες βλάβες που προκαλούνται από τις συσκευές μας, εφόσον οφείλονται σε μία ακατάλληλη επισκευή ή σε μια αντικατάσταση τμημάτων για την οποία δεν έχουν χρησιμοποιηθεί τα πρωτότυπα ανταλλακτικά της GARDENA ή τα από μας συγκεκριμένα ανταλλακτικά και σε περίπτωση που δεν εκτελείται η επισκευή από το Τμήμα Εξυπηρέτησης Πελατών της GARDENA ή από έναν εξουσιοδοτημένο εξειδικευμένο τεχνίτη. Το ίδιο ισχύει για εξαρτήματα και συμπληρωματικά τμήματα.

SLO Jamstvo za izdelek

Pismo poudarjamo, da po zakonu jamstva za izdelek nismo odgovorni za škodo, ki bi nastala zaradi uporabe našega izdelka, prav tako tudi ne za škodo ki bi nastala zaradi nepravilnega popravila izdelka ali pri napačni zamenjavi delov, ki niso originalni deli GARDENA ali pri uporabi z naše strani potrjenih delov, ki pa niso bili vgrajeni v servisu GARDENA ali v naši pooblašteni servisni službi. Enako velja tudi za nadomestne dele in opremo.

HR Odgovornost za proizvod

Izrično napominjemo da u skladu sa Zakonom o odgovornosti za proizvode nismo odgovorni za štete uzrokovane našim uređajima ako su one izazvane nestručnim popravkom ili u slučaju zamjene dijelova nisu korišteni originalni GARDENA dijelovi ili dijelovi koje smo odobrili i popravak nije izvršio GARDENA servis ili ovlašteni stručnjak. Isto vrijedi i za dodatne dijelove i pribor.

RO Responsabilitatea legala a produsului

Mentionam în mod expres ca, în concordanță cu responsabilitatea legală a produsului, nu suntem răspunzători de nici un accident provocat de produsele noastre dacă se datorează reparării necorespunzătoare sau dacă piesele de schimb nu sunt originale GARDENA sau aprobate de GARDENA, sau dacă reparațiile nu au fost efectuate de un Centru de Service GARDENA sau un specialist autorizat. Aceleași prevederi se aplică si pieselor de schimb si accesoriilor.

BG Отговорност за качество

Изрично подчертаваме, че съгласно закона за отговорност за качество, ние не носим отговорност за вредите причинени от нашите уреди, ако същите са причинени от неправилен ремонт или при подмяната на части не са използвани оригинални части на GARDENA или части одобрени от нас и ремонта не е извършен от сервиз на GARDENA или оторизиран специалист. Същото важи за допълнителните части и принадлежности.

EST Tootevastutus

Juhime teie tähelepanu sellele, et tootevastutusseaduse kohaselt ei vastuta me meie seadmete poolt põhjustatud kahjude eest, kui need on tekkinud asjatundmatu paranduse tagajärjel või kui detaili vahetamisel ei kasutatud GARDENA originaalvaruosi ega meie poolt kasutada lubatud varuosi ja kui parandustööd ei ole teinud GARDENA klienditeenindusspetsialistid ega meie volitatud spetsialistid. Sama kehtib lisadetaliide ja tarvikute kohta.

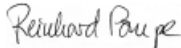
LT Atsakomybė už produkciją

Nurodome, kad remdamiesi Atsakomybės už produkciją įstatymu, neatšakome už nuostolius, sukeltus mūsų prietaisų, jei jie atsirado dėl netinkamo remonto, arba, jei keičiant dalis, buvo naudojamos neoriginalios GARDENA dalys arba dalys, kurių mes neišleidome naudoti, o remontą atliko ne GARDENA servisas arba neįgaliotasis specialistas. Tas pats galioja papildomoms dalims ir priedams.

LV Produkta atbildība

Mēs skaidri norādām uz to, ka saskaņā ar Produktu atbildības likumu, mēs neatbildam par mūsu iekārtu radītiem zaudējumiem, ciktāl tos ir izraisījis neatbilstošs remonts vai daļu nomaiņa ar neoriginālām GARDENA daļām vai ne ar mūsu norādītajām detaļām un remontu nav veicis GARDENA serviss vai pilnvarots speciālists. Tas pats attiecas uz papildinošajām daļām un piederumiem.

<p>D CE-Konformitätserklärung Der Unterzeichnete Husqvarna AB, 561 82 Huskvarna, Sweden bestätigt, dass die nachfolgend bezeichneten Geräte in der von uns in Verkehr gebrachten Ausführung die Anforderungen der harmonisierten EU-Richtlinien, EU-Sicherheitsstandards und produktspezifischen Standards erfüllen. Bei einer nicht mit uns abgestimmten Änderung der Geräte verliert diese Erklärung ihre Gültigkeit.</p>	<p>H EU-Megfelöléségi nyilatkozat Alulírott, a Husqvarna AB, 561 82 Huskvarna, Sweden igazolja azt, hogy az alábbiakban megnevezett készülékek, az általunk forgalomba hozott kivitelben teljesítik a harmonizációs EU-irányelvek, az EU biztonsági szabványok és a termékre jellemző szabványok követelményeit. Ha a készülékeken a mi beleegyezésünk nélkül változtatást végeznek, akkor ez a nyilatkozat érvényét veszti.</p>
<p>GB CE Declaration The undersigned Husqvarna AB, 561 82 Huskvarna, Sweden hereby certifies that, when leaving our factory, the units indicated below are in accordance with the harmonised EU guidelines, EU standards of safety and product specific standards. This certificate becomes void if the units are modified without our approval.</p>	<p>CZ Prohlášení o shodě EU Podepsaný Husqvarna AB, 561 82 Huskvarna, Sweden potvrzuje, že dále uvedené přístroje v rámci do provozu uvedeném provedení splňují požadavky harmonizovaných směrnic EU, bezpečnostních norem EU a norem specifických pro výrobek. Při námi neschválené změně přístroje ztrácí toto prohlášení platnost.</p>
<p>F Certificat de conformité aux directives européennes Le constructeur, soussigné : Husqvarna AB, 561 82 Huskvarna, Sweden déclare que à la sortie de ses usines le matériel neuf désigné ci-dessous était conforme aux prescriptions des directives européennes énoncées ci-après et conforme aux règles de sécurité et autres règles qui lui sont applicables dans le cadre de l'Union européenne. Toute modification portée sur ce produit sans l'accord express de GARDENA supprime la validité de ce certificat.</p>	<p>SK EU-Vyhlasenie o zhode Nižšie uvedené firma Husqvarna AB, 561 82 Huskvarna, Sweden vyhlasuje, že uvedené zariadenia, ktoré uviedla na trh v tomto vyhotovení, spĺňajú požiadavky harmonizovaných smerníc EU, bezpečnostných noriem EU a noriem špecifických pre výrobok. Pri zmene zariadenia, ktorá nebola odsúhlasená výrobcom stráca toto vyhlásenie platnosť.</p>
<p>NL EU-overeenstemmingsverklaring Ondergetekende Husqvarna AB, 561 82 Huskvarna, Sweden bevestigt, dat de volgende genoemde apparaten in de door ons in de handel gebrachte uitvoering voldoen aan de eis van, en in overeenstemming zijn met de EU-richtlijnen, de EU-veiligheidsstandaard en de voor het product specifieke standaard. Bij een niet met ons afgestemde verandering aan de apparaten verliest deze verklaring haar geldigheid.</p>	<p>GR Δήλωση Συμμόρφωσης προς τις Οδηγίες της ΕΕ Η υπογράφουσα Husqvarna AB, 561 82 Huskvarna, Sweden δηλώνει, ότι τα εξής αναφερόμενα εκδιδόμενα από την εταιρία μας προϊόντα ανταποκρίνονται σε όλες τις αναφορουμενες προδιαγραφές της ΕΕ, στα πρότυπα ασφαλείας της ΕΕ και στα ειδικά για το προϊόν πρότυπα. Σε μία μη συμφωνημένη με την εταιρία μας τροποποίηση των συσκευών αυτή η δήλωση χάνει την ισχύ της.</p>
<p>S EU Tillverkarintyg Undertecknad firma Husqvarna AB, 561 82 Huskvarna, Sweden intygar härmed att nedan nämnda produkter överensstämmer med EU:s direktiv, EU:s säkerhetsstandard och produktspecifikation. Detta intyg upphör att gälla om produkten ändras utan vårt tillstånd.</p>	<p>SLO EU-izjava o skladnosti Podpisani proizvajalec »Husqvarna AB, 561 82 Huskvarna, Sweden« s podpisom potrjuje, da sledeče opisana naprava, ki smo jo poslali na tržišče izpolnjuje zahteve harmoniziranih standardov ES-smernic, ES-varnostnih standardov in izdelku specifičnih standardov. V primeru spremembe na napravi brez našega pisnega dovoljenja ta izjava izgubi svoj pomen in veljavnost.</p>
<p>DK EU Overensstemmelse certificat Undertegnede Husqvarna AB, 561 82 Huskvarna, Sweden bekræfter hermed, at enheder listed herunder, ved afsendelse fra fabrikken, er i overensstemmelse med harmoniserede EU retningslinier, EU sikkerheds standarder og produkt specifikations standarder. Dette certifikat træder ud af kraft hvis enhederne er ændret uden vor godkendelse.</p>	<p>HR Izjava o sukladnosti EU-a Dolje potpisana tvrtka Husqvarna AB, 561 82 Huskvarna, Sweden ovime potvrđuje da dolje navedeni uređaji u izvedbi plasiraju na tržište ispunjavaju zahtjeve harmoniziranih EU smjernica, EU sigurnosnih normi i normi za određene proizvode. Ova izjava postaje ništavna u slučaju izmjene uređaja koje nismo odobrili.</p>
<p>FI EU-yhdenmukaisuusvakuutus Allekirjoittanut Husqvarna AB, 561 82 Huskvarna, Sweden vakuuttaa, että allamainitut laitteet täyttävät tehtaaltamme lähiesittämien yhdenmukaistettujen EU-direktiivien, EU-turvallisuusstandardien ja tuotekohtaisten standardien vaatimukset. Laitteisiin tehdyt muutokset, joista ei ole sovittu kanssamme, johtavat tämän vakuutuksen raukaamiseen.</p>	<p>RO UE-Certificat de conformitate Prin prezenta Husqvarna AB, 561 82 Huskvarna, Sweden, certifica faptul ca, in momentul in care produsele mentionate mai jos ies din fabrica sunt in concordanta cu directivele UE, standardele de siguranta UE si standardele specifice ale produsului UE. Acest certificat devine nul in cazul modificarii aparatului fara aprobarea noastra.</p>
<p>I Dichiarazione di conformità alle norme UE La sottoscritta Husqvarna AB, 561 82 Huskvarna, Sweden certifica che il prodotto di cui seguito indicato, nei modelli da noi commercializzati, è conforme alle direttive armonizzate UE nonché agli standard di sicurezza e agli standard specifici di prodotto. Qualunque modifica apportata al prodotto senza nostra specifica autorizzazione invalida la presente dichiarazione.</p>	<p>BG ЕС-Декларация за съответствие Подписаната фирма Husqvarna AB, 561 82 Huskvarna, Sweden декларира, че описаните по-долу уреди, пуснати в продажба съгласно нашата спецификация, изпълняват изискванията на хармонизираните ЕС-директиви, ЕС-станданти за безопасност и специфичните производствени стандарти. При промяна на уреда, която не е съгласувана с нас, тази декларация губи своята валидност.</p>
<p>E Declaración de conformidad de la UE El que suscribe Husqvarna AB, 561 82 Huskvarna, Sweden declara que la presente mercancía, objeto de la presente declaración, cumple con todas las normas de la UE, en lo que a normas técnicas, de homologación y de seguridad se refiere. En caso de realizar cualquier modificación en la presente mercancía sin nuestra previa autorización, esta declaración pierde su validez.</p>	<p>EST ELI vastavusdeklaratsioon Allkirjutanu Husqvarna AB, 561 82 Huskvarna, Sweden kinnitab, et kirjeldatud seade vastab meie poole riiglesse viidud kujul ELi harmoniseeritud direktiividele, ELi ohutusstandarditele ja tootega seotud standarditele. Meiega kooskõlastamata muudatuse tegemise korral seadmel kaotab see deklaratsioon kehtivuse.</p>
<p>P Certificado de conformidade da UE Os abaixo mencionados Husqvarna AB, 561 82 Huskvarna, Sweden, por este meio certificam que ao sair da fábrica os aparelhos abaixo mencionados estão de acordo com as direttrizes harmonizadas da UE, padrões de segurança e de produtos específicos. Este certificado ficará nulo se as unidades forem modificadas sem a nossa aprovação.</p>	<p>LT ES Atitikties deklaracija Pasirašanti įmonė Husqvarna AB, 561 82 Huskvarna, Sweden patvirtina, kad žemiau nurodyti prietaisai ir jų modeliai, kurie buvo pagaminti mūsų gamykloje atitinka ES direktyvas, ES saugumo standartus ir specifinius gaminio standartus. Atlikus bet kokį prietaiso pakeitimą, kuris nėra suderintas su mumis, ši deklaracija praranda galiojimą.</p>
<p>PL Deklaracja zgodności Unii Europejskiej Husqvarna AB, 561 82 Huskvarna, Sweden potwierdza, że poniżej określone urządzenia w wersji oferowanej przez nas do sprzedaży spełniają wymagania zharmonizowanych dyrektyw Unii Europejskiej, standardu bezpieczeństwa Unii Europejskiej i standardu specyficznego dla tego typu produktów. W przypadku zmiany urządzenia, która nie została z nami uzgodniona, niniejsza deklaracja traci moc obowiązującą.</p>	<p>LV ES-atbilstības deklaracija Parakstījis Husqvarna AB, 561 82 Huskvarna, Sweden, Vācija apstiprina, ka sekojoši apzīmētās iekārtas, kuras mēs izplātam, savā izpildījumā atbilst harmonizētajām ES direktīvām, ES drošības standartiem un produkta specifiskajiem standartiem. Ar mūsu neapstiprinātām izmaiņām iekārtā šī deklarācija zaudē savu derīgumu.</p>

<p>Bezeichnung des Geräts: Description of the unit: Désignation du matériel : Omschrijving van de apparaten: Produktbeskrivning: Beskrivelse af produktet: Laitteiden nimitys: Descrizione dei prodotti: Descripción de la mercancía: Descrição dos aparelhos: Nazwa urządzenia: A készülékek megnevezése: Označení přístrojů: Označenie zariadenia: Όνομασία της συσκευής: Opis naprave: Oznaka uređaja: Descrierea articolului: Обозначение на уредите: Seadmäte nimetus: Prietaisų pavadinimas: Iekārtu apzīmējums:</p>	<p>Tauchpumpe/Schmutzwasserpumpe Submersible Pump/Dirty Water Pump Pompe pour eaux claires/Pompe pour eaux chargées Dompelpomp/Vuilwaterpomp Dränkbar pump/Spillvattenpump Dykpumpe/Pumpe til snavset vand Uproorpumppu/Likavesipumppu Pompa sommersa/Pompa sommersa per acqua sporca Bomba sumergible/ Bomba para aguas sucias Bomba submersível/Bomba para esgotos Pompa zanurzeniowa/Pompa do brudnej wody Merülőszivattyú/Szennyvízszivattyú Ponorné čerpadlo/Kalové čerpadlo Πονορνέ čerpadlo/Kalové čerpadlo Υποβρύχια αντλία/αντλία λιμμάτων Ποτορνα čerpalka/Črpalka za odpadno vodo Uronjiva pumpa/Pumpa za prljavu vodu Pompă submersibilă/Pompă pentru apă murdară Ποτορνα дренажна помпа/Помпа за мръсна вода Uputatav pump/Reoveerpump Panardinamas siurblys/Purvino vandens siurblys Legremdejamaiss süknis/Netirā ūdens süknis</p>	<p>Hinterlegte Dokumentation: GARDENA Technische Dokumentation, M. Kugler, 89079 Ulm</p> <p>Deposited Documentation: GARDENA Technical Documentation, M. Kugler, 89079 Ulm</p> <p>Documentation déposée: Documentation technique GARDENA, M. Kugler, 89079 Ulm</p>
<p>Typ-Bezeichnung: Product type: Désignation du modèle : Type-aanduiding: Typebeteckning: Type-betegelse: Tyypikuvaus: Tipologia: Designación del tipo: Designação do modelo: Oznaczenie typu: Tipus megnevezése: Τυπové označení: Typ-označenie: Όνομασία τύπου: Naziv tipa:</p>	<p>Oznaka tipa: Denumirea tipului: Тип-наименование: Tüübi nimetus: Tüüp pavadinimas: Tipa apzīmējums: Tuotenro: Numero articolo: Número de artículo: Número de referência: Numer artykułu: Cikkszám: Číslo výrobu: Číslo výrobu: Καθικός: Številka artikla:</p>	<p>Anbringningsjahr der CE-Kennzeichnung: Year of CE marking: Année d'apposition du marquage CE : Installatiejaar van de CE-aanduiding: Märkningsår: CE-Mærkningsår: CE-merkin kiinnitysvuosi: Anno di applicazione della certificazione CE: Colocación del distintivo CE: Ano de marcação pela CE: Rok nadania oznakowania CE: CE-jelzés elhelyezésének éve: Rok umístění značky CE: Rok udelenia značky CE: Έτος σήματος CE: Leto namestitve CE-oznake: Godina dobivanja CE oznake: Anul de marcare CE: Година на поставяне на CE-маркировка: CE-märgistuse paigaldamise aasta: Metai, kada pažymėta CE-ženkle: CE-marķējuma uzlikšanas gads:</p>
<p>6000 6000</p> <p>CE-Richtlinien: CE-Directives: Directives CE : CE-richtlijnen: CE-direktiv: CE-direktiver: CE-merkinnät: Direttive CE: Directivas CE: Diretivas CE: Dyrektywy CE: CE irányelvek: Směrnice CE: Označenie CE: Οδηγίες CE: CE-direktive: CE smjernice: Directivele CE:</p>	<p>1777 1790</p> <p>CE-Директиви: CE direktiivid: CE direktivos: CE direktivas:</p> <p>2011/65/EG 2014/30/EG 2014/35/EG</p>	<p>2005</p> <p>Ulm, den 22.01.2016 Ulm, 22.01.2016 Fait à Ulm, le 22.01.2016 Ulm, 22-01-2016 Ulm, 2016.01.22 Ulm, 22.01.2016 Ulm, 22.01.2016 Ulm, 22.01.2016 Ulm, 22.01.2016 Ulm, 22.01.2016 Ulm, 22.01.2016 Ulm, 22.01.2016 Ulm, 22.01.2016 Ulm, 22.01.2016 Ulm, 22.01.2016 Ulm, 22.01.2016 Ulm, 22.01.2016 Ulm, 22.01.2016 Ulm, 22.01.2016 Ulm, 22.01.2016 Ulm, 22.01.2016 Ulm, 22.01.2016 Ulm, 22.01.2016 Ulm, 22.01.2016</p> <p>Der Bevollmächtigte Authorized representative: Le mandataire De gevolmachtigde Auktoriserad representant Autoriseret repræsentant Valtuutettu edustaja Persona delegata La persona autorizada O reprezentante Pelnomocnik Meghatalmazott Zplnomocněnec Splnomocnený O εξουσιοδοτημένος Pooblaščenec Ovlaštena osoba Conducerea tehnică Упълномощен Volitatud esindaja Igalotasis atstovas Pilnvarotā persona</p>
<p>Harmonisierte EN:</p>	<p>EN 60335-1 EN 60335-2-41</p>	<p> Reinhard Pompe Vice President</p>

Pumpen-Kennlinien

Performance characteristics

Courbes de performance

Prestatiegrafiek

Kapacitetskurva

Ydelses karakteristika

Pumpun ominaiskäyrä

Pumpekarakteristikk

Curva di rendimento

**Curva característica
de la bomba**

**Características de
performance**

Charakterystyka pompy

Szivattyú-jelleggörbe

Charakteristika čerpadla

Charakteristiky čerpadla

Χαρακτηριστικό διάγραμμα

Характеристика насоса

Karakteristika črpalka

Obilježja pumpe

Karakteristika pumpe

Крива характеристики насоса

Caracteristică pompă

Pompa karakter eğrisi

Помпена характеристика

Fuqia e pompës

Pumba karakteristik

Siurblio charakteristinė kreivė

Sūkņa raksturlīkne

6000 Art. 1777 / 6000 Art. 1790

