



Art. 19000

**GB Operator's Manual**  
smart Gateway

---

# GARDENA smart Gateway

## Translation of the original instructions.

Please read these operating instructions carefully and observe the notes given. Use these instructions to familiarise yourself with the unit and its proper use as well as the notes on safety.



For safety reasons, children and young people under 16 as well as anyone who is not familiar with these operating instructions should not use the unit. Persons with reduced physical or mental abilities may use the unit only if they are supervised or instructed by a responsible person. Children must be supervised to ensure that they do not play with the unit. Never operate the unit when you are tired, ill or under the influence of alcohol, drugs or medicine.

### Intended use:

The GARDENA smart Gateway is intended for private use in domestic and hobby gardens for automatic control of smart system units by the GARDENA smart system App.

The GARDENA smart Gateway is controlled and operated by the GARDENA smart system App.

### Table of Contents:

1. SAFETY	2
2. FUNCTION	3
3. INITIAL OPERATION	3
4. OPERATION	5
5. MAINTENANCE	6
6. STORAGE	6
7. TROUBLESHOOTING	6
8. TECHNICAL DATA	6
9. ACCESSORIES	7
10. SERVICE/WARRANTY	7
11. PRODUCT LIABILITY	7

## 1. SAFETY

Warning! Keep toddlers away when you assemble the unit.

*Small parts can be easily swallowed.*

*There is also a risk that the polybag can suffocate toddlers.*

Warning! This unit makes an electromagnetic field while it operates. This field may under some conditions interfere with active or passive medical implants. To decrease the risk of conditions that can possibly injure or kill, we recommend persons with medical implants to speak with their physician and the medical implant manufacturer before operating.

Do not open the unit.

Only use the unit indoors.

Avoid exposure to moisture and dust, as well as sunlight and other forms of heat exposure.

The wireless transmission can be disrupted as a result of external influences such as electric motors or defective electrical devices.

The wireless range may be restricted in buildings (e.g. by reinforced concrete walls) or in the open (e.g. by high levels of humidity).

Only use the unit with the supplied Power supply unit.

Protect the power supply unit from moisture when connected.

The unit can be used in the temperature range 0 °C – + 40 °C.

Don't use cables – connecting the products to external/ outdoor interfaces.

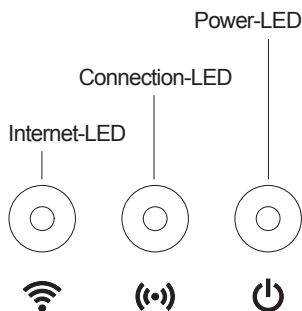
Short Range Device Antennas and WLAN Antenna are installed in the unit.

External Short Range Device Antennas is optional available.

Do not use in cellar or nearby metal plates or engines.

## 2. FUNCTION

### LED-Display:



- ① **Internet-LED:**  
**Green:** Connected with router and VPN  
**Yellow:** Hotspot mode – not connected with router  
**Yellow flashing:** Connected to mobile phone  
**Red:** Not connected  
**Red flashing:** Connected with router; not connected with VPN
- ② **Connection-LED:**  
**Green flashing:** Receiving data  
**Yellow flashing:** Sending data
- ③ **Power-LED:**  
**Green:** Power On  
**Green flashing:** Booting  
**Yellow:** 1. Factory reset running  
           2. Error (restart required)  
**Yellow flashing:** Software update  
**Red:** Fatal error (restart required)

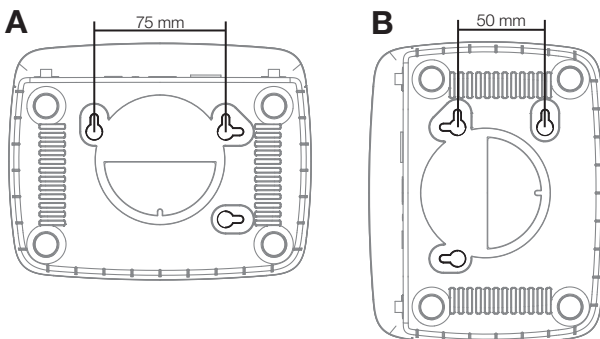
## 3. INITIAL OPERATION

### Contents:

- Gateway unit
- Netzteil
- Ethernet-cable

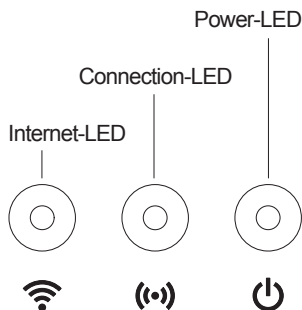
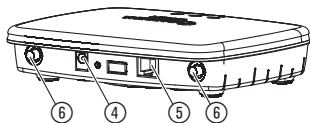
### To mount on the wall:

The two screws (not supplied) for attaching the Gateway have to be screwed into place **A** horizontally 75 mm/**B** vertically 50 mm apart and the screw head diameter must not exceed 8 mm.



1. Screw the screws into the wall **A** 75 mm/**B** 50 mm apart.
2. Attach the unit.

## Commissioning the smart Gateway:



An Internet connection is required for installation of the Gateway. The Gateway can be connected to the Internet via LAN or Wi-Fi.

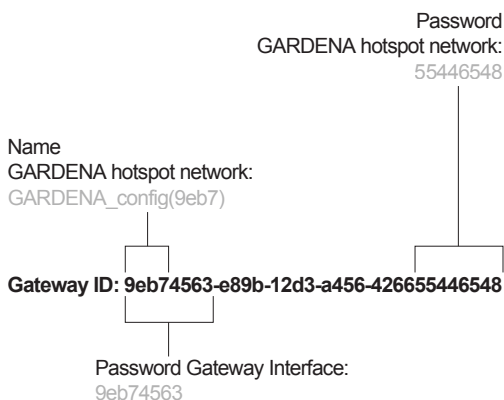
1. Connect the Gateway with the provided power supply unit. *During the self-test, the Power LED ① lights up green for approx. ten seconds and then flashes green.*
2. Wait until the Power-LED stays green. *This can take up to one minute. After this you can connect the Gateway with the Internet.*
3. Select one of the following options:  
Connecting via cable/Connecting via Wi-Fi.

### Connecting via cable (recommended):

1. Connect the Gateway with the provided network cable to your router. *The software for your Gateway is now being updated. This can take a few minutes. During this time, the Internet LED may flash red and the Power LED may flash yellow. Once the Internet-LED and the Power-LED stay green, your Gateway is up to date. It can now be included in the App.*
2. Download the GARDENA smart system app from the Apple App Store or the Google Play Store.
3. Follow the instructions in the App.

### Connecting via Wi-Fi:

The Gateway automatically provides a GARDENA hotspot network if it is not connected to the Internet. Once the Internet-LED turns and stays yellow, the hotspot network will be visible. The graphic below shows a typical network name.



1. Connect to the GARDENA configuration network. Use the last eight digits of your gateway ID as the password (see graphic).  
*The gateway ID can be found on the sticker on the underside of the gateway.*
2. Open the URL:  
<http://10.0.0.1>  
in your preferred Internet browser.  
*You should now see the Gateway Interface.*
3. Login using the first eight digits of your Gateway ID as the password (see graphic).
4. Select your network from **Wi-Fi**.  
*Then your Gateway is connected with the Internet.*
5. Enter your network password and confirm your settings. Wait until the Internet-LED turns green. This can take a few minutes.  
*The software for your Gateway is now being updated. This can take a few minutes. During this time, the Internet LED may flash red and the Power LED may flash yellow. Once the Internet-LED and the Power-LED stay green, your Gateway is up to date. It can now be included in the App.*
6. Download the GARDENA smart system app from the Apple App Store or the Google Play Store.
7. Follow the instructions in the App.

**Note:** This hotspot network does not provide an Internet access. Some devices will automatically ignore and disconnect from the GARDENA hotspot network. In this case you will have to disable that option on your device. Also, make sure JavaScript is activated and browser cookies are accepted, in order to display the page correctly. Connecting the Gateway is not supported by Internet Explorer.

If the internal antennas do not have a long enough radio range, external short distance radio antennas can be screwed on to the two gateway connections ⑥ (available as an option through Service).

## 4. OPERATION

---

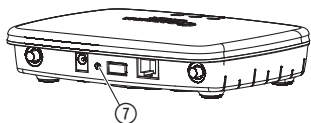
### **Operation with the GARDENA smart system App:**

You can use the GARDENA smart system app to control all smart system devices from anywhere at any time. You can download the free GARDENA smart system app from the Apple App Store or from the Google Play Store.

Make sure that the smart gateway was successfully commissioned (see 3. INITIAL OPERATION) before connecting it to the app. All GARDENA smart devices are integrated via the app. Follow the instructions inside the App.

### **Setting options for the Gateway:**

- Configure Ethernet
- Setting up Wi-Fi
- Set up external short-range wireless antennas
- Configure time zone

**Factory Reset:**

The smart Gateway will be reset to the factory settings.

1. Disconnect the Gateway from the network.
2. Press and hold down the Reset key ⑦; connect the Gateway to the network and wait until the Power-LED lights up yellow.
3. Release the Reset key ⑦ and wait until the Power-LED lights up green.

## 5. MAINTENANCE

---

**To clean the Gateway:**

No caustic/abrasive cleaning agents should be used.

→ **Clean Gateway with a damp cloth (do not use solvent).**

## 6. STORAGE

---

**To put into storage:**

The unit must be stowed away from children.

→ Do not stow the unit outdoors if not in use.

**Disposal:**

(in accordance with  
RL2012/19/EC):



The unit must not be added to usual household waste. Refer to local environmental laws for discarding.

→ Important: Make sure that the unit is discarded through your municipal recycling collection centre.

## 7. TROUBLESHOOTING

---



**For any other malfunctions please contact the GARDENA service department. Repairs must only be done by GARDENA service departments or specialist dealers approved by GARDENA.**

## 8. TECHNICAL DATA

---

	<b>smart Gateway (Art. 19000-20)</b>
<b>Operation temperature range (indoors):</b>	0 °C – 40 °C
<b>Internal SRD:</b>	
<b>Frequency range</b>	863 – 870 MHz
<b>Maximum power</b>	25 mW
<b>Free field radio range</b>	approx. 100 m
<b>External antennas</b>	only optional
<b>Wi-Fi</b>	
<b>Frequency range</b>	2400 – 2483,5 MHz
<b>Maximum power</b>	100 mW
<b>Standards supported</b>	IEEE 802.11b/g/n

---

**Ethernet**

<b>Port</b>	1 LAN port via RJ45 socket
<b>Data connection</b>	Standard Ethernet 10/100 Base-T

**Power supply**

<b>Mains voltage</b>	100 – 240 V
<b>Frequency</b>	50 Hz
<b>Max. output voltage</b>	5 V (DC)

<b>Dimensions</b>	57 x 128 x 58 mm (B x H x T)
-------------------	------------------------------

<b>Weight</b>	120 g
---------------	-------

---

**CE Declaration** The complete Declaration of Conformity can be found at:  
**[www.gardena.com/CE-declarations](http://www.gardena.com/CE-declarations)**

---

## 9. ACCESSORIES

**External short-range wireless antennas** Available as an option from the Service team in the event that the wireless range of the internal antennas is not sufficient.

---

## 10. SERVICE/WARRANTY

**Service:** Please contact the address on the back page.

**Guarantee:** GARDENA Manufacturing GmbH guarantees this unit for 2 years (from date of purchase). This guarantee includes all important defects of the unit that can be proved to be material or manufacturing faults. Under warranty we will replace the unit or repair it for no cost if these conditions are applicable:

- The unit must have been used properly and in keeping with the requirements of the operation instructions.
- Neither the purchaser or a not approved third party have tried to repair the unit.

This manufacturer's guarantee does not have an effect on the user's existing warranty claims against the dealer/seller.

If you have problems with this unit, please contact our Service.

---

## 11. PRODUCT LIABILITY

We expressly point out that, in accordance with the product liability law, we are not liable for any damage caused by our units if it is because of improper repair or if parts replaced are not original GARDENA parts or approved parts, and, if the repairs were not done by a GARDENA Service Centre or an approved specialist.

The same applies to spare parts and accessories.

**Deutschland / Germany**

**GARDENA**  
Manufacturing GmbH  
Central Service  
Hans-Lorenser-Straße 40  
D-89079 Ulm  
Produktfragen:  
(+49) 731 490-123  
Reparaturen:  
(+49) 731 490-290  
service@gardena.com

**Albania**

**COBALT** Sh.p.k.  
Rr. Siri Kodra  
1000 Tirana

**Argentina**

Husqvarna Argentina S.A.  
Av.del Libertador 5954 –  
Piso 11 – Torre B  
(C1428APR) Buenos Aires  
Phone: (+54) 11 5194 5000  
info.gardena@  
ar.husqvarna.com

**Armenia**

Garden Land Ltd.  
61 Tigran Mets  
0005 Yerevan

**Australia**

Husqvarna Australia Pty. Ltd.  
Locked Bag 5  
Central Coast BC  
NSW 2252  
Phone: (+61) (0) 2 4352 7400  
customer.service@  
husqvarna.com.au

**Austria / Österreich**

Husqvarna Austria GmbH  
Industriezeile 36  
4010 Linz  
Tel.: (+43) 732 77 01 01-485  
service.gardena@  
husqvarnagroup.com

**Azerbaijan**

Firm Progress  
a. Aliyev Str. 26A  
1052 Bakı

**Belgium**

**GARDENA** Belgium NV/SA  
Sterrebeekstraat 163  
1930 Zaventem  
Phone: (+32) 2 720 92 12  
Mail: info@gardena.be

**Bosnia / Herzegovina**

**SILK TRADE** d.o.o.  
Industrijska zona Bukva bb  
74260 Tešanj

**Brazil**

Husqvarna do Brasil Ltda  
Av. Francisco Matarazzo,  
1400 – 19º andar  
São Paulo – SP  
CEP: 05001-903  
Tel. 0800-112252  
marketing.br.husqvarna@  
husqvarna.com.br

**Bulgaria**

Хускварна България ЕООД  
Бул. „Андрей Липчев“ № 72  
1799 София  
Tel.: (+359) 02/975 3076  
www.husqvarna.bg

**Canada / USA**

**GARDENA** Canada Ltd.  
100 Summerlea Road  
Brampton, Ontario L6T 4X3  
Phone: (+1) 905 792 9330  
info@gardenacanada.com

**Chile**

Maquinarias Agroforestales  
Ltda. (Maga Ltda.)  
Santiago, Chile  
Avda. Chesterton  
# 8355 comuna Las Condes  
Phone: (+56) 2 202 4417  
Dalton@maga.cl  
Zpcode: 7560330  
Temuco, Chile  
Avda. Valparaiso # 01466  
Phone: (+56) 45 222 126  
Zpcode: 4780441

**China**

Husqvarna (China) Machinery  
Manufacturing Co., Ltd.  
No. 1355, Jia Xin Rd.,  
Ma Lu Zhen, Jia Ding Dist.,  
Shanghai  
201801  
Phone: (+86) 21 59159629  
Domestic Sales  
www.gardena.com.cn

**Colombia**

Husqvarna Colombia S.A.  
Calle 18 No. 68 D-31, zona  
Industrial de Montevideo  
Bogotá, Cundinamarca  
Tel. 571 2922700 ext. 105  
jairo.salazar@  
husqvarna.com.co

**Costa Rica**

Compania Exim  
Euroiberoamericana S.A.  
Los Colegios, Moravia,  
200 metros al Sur del Colegio  
Saint Francis – San José  
Phone: (+506) 297 68 83  
exim\_euro@racsa.co.cr

**Croatia**

**SILK ADRIA** d.o.o.  
Josipa Lončara 3  
10090 Zagreb  
Phone: (+385) 1 3794 580  
silk.adria@zg.t-com.hr

**Cyprus**

Med Marketing  
17 Digeni Akritia Ave  
P.O. Box 27017  
1641 Nicosia

**Czech Republic**

Husqvarna Česko s.r.o.  
Tůrkova 2319/5b  
149 00 Praha 4 – Chodov  
Bezpłatná infolinika:  
800 100 425  
servis@cz.husqvarna.com

**Denmark**

**GARDENA / Husqvarna**  
Consumer Outdoor Products  
Salgsafdelning Danmark  
Box 9003  
S-200 39 Malmö  
info@gardena.dk

**Dominican Republic**

**BOSQUESA, S.R.L**  
Carretera Santiago Licey  
Km. 5 ½  
Esquina Copal II.  
Santiago  
Dominican Republic  
Phone: (+809) 736-0333  
joserbosquesa@claro.net.do

**Ecuador**

Husqvarna Ecuador S.A.  
Arupos E1-181 y 10 de  
Agosto Quito, Pichincha  
Tel. (+593) 22800739  
francisco.jacom@  
husqvarna.com.ec

**Estonia**

Husqvarna Eesti OÜ  
Consumer Outdoor Products  
Kesk tee 10, Aaviku küla  
Rae vald  
Harju maakond  
75305 Estonia  
kontakt.etj@husqvarna.ee

**Finland**

Oy Husqvarna Ab  
Consumer Outdoor Products  
Lauttarhankatu 8 / P.L 3  
00581 HELSINKI  
info@gardena.fi

**France**

Husqvarna France  
9/11 Allée des pierres mayettes  
92635 Gennevilliers Cedex  
France  
http://www.gardena.com/fr  
N° AZUR: 0 810 00 78 23  
(Prix d'un appel local)

**Georgia**

**ALD** Group  
Bellashvili 8  
1159 Tbilisi

**Great Britain**

Husqvarna UK Ltd  
Preston Road  
Aycliffe Industrial Park  
Newton Aycliffe  
Consumer Durham  
DL5 6UP  
info.gardena@  
husqvarna.co.uk

**Greece**

Π.ΠΑΠΑΔΟΠΟΥΛΟΣ ΑΕΒΕ  
Λεωφ. Αθηνών 92  
Αθήνα  
Τ.Κ.104 42  
Ελλάδα  
Τηλ. (+30) 210 5193 100  
info@papadopoulos.com.gr

**Hungary**

Husqvarna Magyarországi Kft.  
Ezred u. 1-3  
1044 Budapest  
Telefon: (+36) 1 251-4161  
vevoszolgalat.husqvarna@  
husqvarna.hu

**Iceland**

Ó. Johnson & Kaaber  
Tunguhsali 1  
110 Reykjavik  
oj@ojk.is

**Ireland**

Husqvarna UK Ltd  
Preston Road  
Aycliffe Industrial Park  
Newton Aycliffe  
Consumer Durham  
DL5 6UP  
info.gardena@  
husqvarna.co.uk

**Italy**

Husqvarna Italia S.p.A.  
Via Como 72  
32068 VALMADRERA (LC)  
Phone: (+39) 0341.203.111  
info@gardenaitalia.it

**Japan**

**KAKUICHI** Co. Ltd.  
Sumitomo Realty &  
Development Kojimachi  
BLDG., 8F  
5-1 Nibanencho  
Chiyoda-ku  
Tokyo 102-0084  
Phone: (+81) 33 264 4721  
m\_ishihara@kaku-icchi.co.jp

**Kazakhstan**

**LAMED** Ltd.  
155/1, Tazhibayevoy Str.  
050060 Almaty  
IP Schmidt  
Abayavenue 3B  
110 005 Kostanay

**Korea**

Kyung Jin Trading CO.,LTD.  
107-4, SunDuk Bld.,  
YangJae-dong,  
Seocho-gu,  
Seoul, (zipcode: 137-891)  
Phone: (+82) (0)2 574-6300

**Kyrgyzstan**

Alye Maki  
av. Molodaya Guardir J 3  
720014  
Bishkek

**Latvia**

Husqvarna Latvija  
Consumer Outdoor Products  
Bākūžu iela 6  
LV-1024 Rīga  
info@husqvarna.lv

**Lithuania**

UAB Husqvarna Lietuva  
Consumer Outdoor Products  
Atleties pl. 77C  
LT-52104 Kaunas  
centras@husqvarna.lt

**Luxembourg**

Magasins Jules Neuberg  
39, rue Jacques Stas  
Luxembourg-Gasperich 2549  
Case Postale No. 12  
Luxembourg 2010  
Phone: (+352) 40 14 01  
api@neuberg.lu

**Mexico**

**AFOSA**  
Av. Lopez Mateos Sur # 5019  
Col. La Calma 45070  
Zapopan, Jalisco  
Mexico  
Phone: (+52) 33 3818-3434  
icornej@afosa.com.mx

**Moldova**

Convel S.R.L.  
2900 Muncesti Str.  
2002 Chisinau

**Netherlands**

**GARDENA** Nederland B.V.  
Postbus 50176  
1305 AD ALMERE  
Phone: (+31) 36 521 00 00  
info@gardena.nl

**Neth. Antilles**

Jonka Enterprises N.V.  
Sta. Rosa Weg 196  
P.O. Box 8200  
Curaçao  
Phone: (+599) 9 767 66 55  
pgm@jonka.com

**New Zealand**

Husqvarna New Zealand Ltd.  
PO Box 76-437  
Manukau City 2241  
Phone: (+64) (0) 9 9202410  
support.nz@husqvarna.co.nz

**Norway**

**GARDENA**  
Husqvarna Consumer  
Outdoor Products  
Salgskontor Norge  
Klevereien 6  
1540 Vestby  
info@gardena.no

**Peru**

Husqvarna Perú S.A.  
Jr. Ramón Cárcamo 710  
Lima 1  
Tel: (+51) 1 3320400 ext.416  
juan.remuzog@  
husqvarna.com

**Poland**

Husqvarna  
Poland Spółka z o.o.  
ul. Wysockiego 15 b  
03-371 Warszawa  
Phone: (+48) 22 330 96 00  
gardena@husqvarna.com.pl

**Portugal**

Husqvarna Portugal, SA  
Laga – Albarraque  
2635 – 595 Rio de Mouro  
Tel.: (+351) 21 922 85 30  
Fax: (+351) 21 922 85 36  
info@gardena.pt

**Romania**

Madex International Srl  
Soseaua Odaii 117-123,  
RO 013603 Bucuresti, S 1  
Phone: (+40) 21 352.76.03  
madex@ines.ro

**Russia / Россия**

ООО „Хускварна“  
141400, Московская обл.,  
г. Химки,  
улица Ленинградская,  
владение 39, стр.6

Бизнес Центр  
„Химки Бизнес Парк“,  
помещение 0802.04  
http://www.gardena.ru

**Serbia**

Domel d.o.o.  
Autoput za Novi Sad bb  
11273 Belgrade  
Phone: (+381) 11 848 88 12  
miroslav.jejina@domel.rs

**Singapore**

Hy-Ray PRIVATE LIMITED  
40 Jalan Pemimpin  
#02-08 Tat Ann Building  
Singapore 577185  
Phone: (+65) 6253 2277  
shying@hyray.com.sg

**Slovak Republic**

Husqvarna Česko s.r.o.  
Tůrkova 2319/5b  
149 00 Praha 4 – Chodov  
Bezpłatná infolinika:  
800 154 044  
servis@sk.husqvarna.com

**Slovenia**

Husqvarna Austria GmbH  
Industriezeile 36  
4010 Linz  
Tel.: (+43) 732 77 01 01-485  
service.gardena@  
husqvarnagroup.com

**South Africa**

Husqvarna  
South Africa (Pty) Ltd  
Postnet Suite 250  
Private Bag X6,  
Cascades, 3202  
South Africa  
Phone: (+27) 33 846 9700  
info@gardena.co.za

**Spain**

Husqvarna España S.A.  
Calle de Rivas nº 10  
28052 Madrid  
Phone: (+34) 91 708 05 00  
atencioncliente@gardena.es

**Suriname**

Agrofix n.v.  
Verlengde Hogestraat # 22  
Phone: (+597) 472426  
agrofix@sr.net  
Pobox : 2006  
Paramaribo  
Suriname – South America

**Sweden**

Husqvarna AB  
S-561 82 Huskvarna  
info@gardena.se

**Switzerland / Schweiz**

Husqvarna Schweiz AG  
Consumer Products  
Industriestrasse 10  
5506 Mägenwil  
Phone: (+41) (0) 62 887 37 90  
info@gardena.ch

**Turkey**

**GARDENA** Dost Diş Ticaret  
Müesseslik A.Ş.  
Sanayi Cad. Adil Sokak  
No: 1/B Kartal  
34873 İstanbul  
Phone: (+90) 216 38 93 939  
info@gardena-dost.com.tr

**Ukraine / Україна**

Укр-Хусварна Україна»  
Вул. Васильківська, 34,  
офіс 204-р  
03022, Київ  
Tel. (+380) 44 498 39 02  
info@gardena.ua

**Uruguay**

FELI SA  
Entre Rios 1083 CP 11800  
Montevideo – Uruguay  
Tel: (+598) 22 033 44  
info@felisa.com.uy

**Venezuela**

Corporación Casa y Jardín C.A.  
Av. Caroni, Edif. Trezmen, P.B.  
Colinas de Bello Monte.  
1050 Caracas.  
Tlf: (+58) 212 992 33 22  
info@casayjardin.net.ve

19000-20.961.02/0516  
© GARDENA  
Manufacturing GmbH  
D-89070 Ulm  
http://www.gardena.com