

QC40 Art. 9845

D Betriebsanleitung
Akku Ladegerät

GB Operators Manual
Battery Charger

F Mode d'emploi
Chargeur de batterie

NL Gebruiksaanwijzing
Acculader

S Bruksanvisning
Batteriladdare

DK Brugsanvisning
Batterioplader

FI Käyttöohje
Akkulaturi

N Bruksanvisning
Batterilader

I Istruzioni per l'uso
Caricabatteria

E Instrucciones de empleo
Cargador de batería

P Manual de instruções
Carregador

PL Instrukcja obsługi
Ładowarka

H Használati utasítás
Akkumulátortöltő

CZ Návod k obsluze
Nabíječka baterií

SK Návod na obsluhu
Nabíjačka akumulátora

GR Οδηγίες χρήσης
Φορτιστής μπαταρίας

RUS Инструкция по эксплуатации
Зарядное устройство

SLO Navodilo za uporabo
Polnilnik baterije

HR Upute za uporabu
Punjač baterije

SRB Uputstvo za rad
Punjač baterija

UA Інструкція з експлуатації
Зарядний пристрій

RO Instrucțiuni de utilizare
Încărcător de baterie

TR Kullanma Kılavuzu
Akü Şarj Cihazı

BG Инструкция за експлоатация
Зарядно устройство за батерия

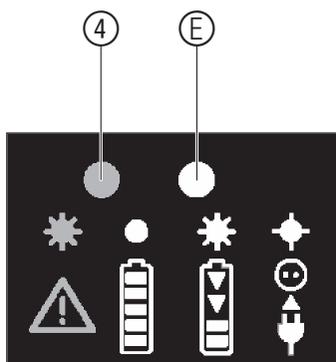
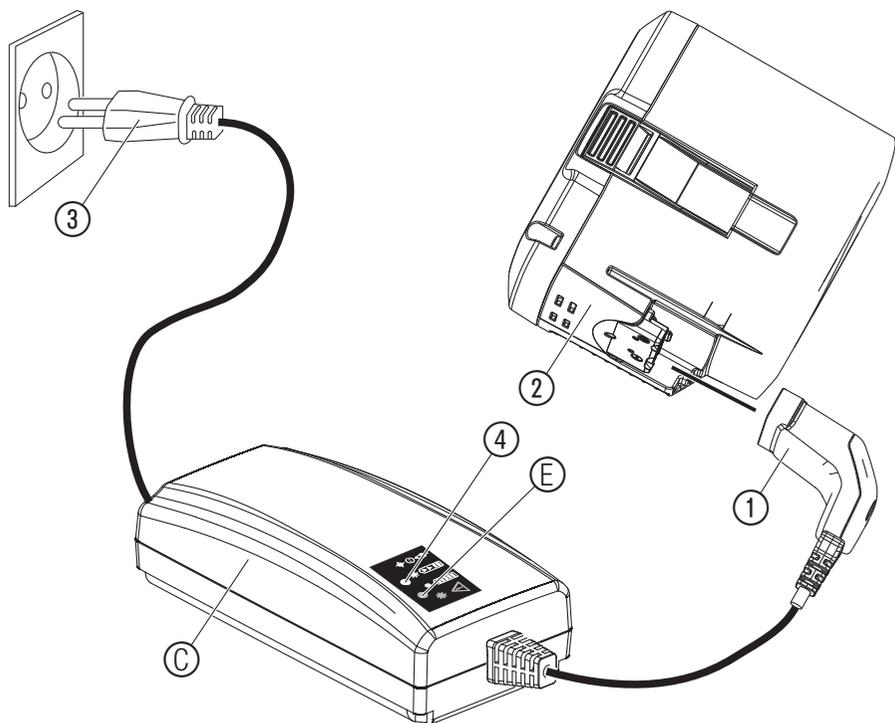
AL Manual përdorimi
Ngarkuesi i baterive

EST Kasutusjuhend
Akulaadija

LT Eksploatavimo instrukcija
Akumuliatorių įkroviklis

LV Lietošanas instrukcija
Akumulatoru lādētājs

QC40 Art. 9845



Introduction:

The initial language of these instructions is English. Other language versions are translations of the initial instructions.

Please read these operating instructions carefully and read the notes given. Acquaint yourself with the use of the battery, the charging technology (see operating instructions GARDENA Rechargeable Battery unit) and read the safety instructions.

For safety reasons, children under the age of 16 as well as people, who are not acquainted with the instructions should not use the charger. Persons with reduced physical or mental abilities may use the product only if they are supervised or instructed by a responsible person. Children must be supervised to ensure that they do not play with the product. Never operate the product when you are tired, ill or under the influence of alcohol, drugs or medicine.

→ Keep this operators manual in a safe place.

Intended use:

The GARDENA Charger is used to charge GARDENA 40 V Batteries.

The product is not intended for long term use.

1. SAFETY**Symbols on the product:**

Observe the safety instructions on the charger.



Do not expose the charger to rain or wet conditions.

Water entering a charger will increase the risk of electric shock.

General safety warnings:**Electrical safety:**

Only use GARDENA original System batteries for GARDENA products and only charge them in an original battery QC40 charger from GARDENA. The batteries are software encrypted.

The battery charger QC40 is only used for charging of GARDENA System batteries.



WARNING! Minimize the risk of electric shock or short circuit as follows:

→ **Do not try to dismantle the battery charger. Never connect the charger terminals to metal objects as this can short circuit the battery charger. Use approved and intact wall sockets.**

Inspect the product for damage before use.

Regularly check that the battery charger connection wire is intact and that there are no cracks in it.

Do not carry the battery charger using the cord and do not pull out the plug by pulling the cord.

Keep all cables and extension leads away from water, oil and sharp edges. Make sure the cable is not jammed in doors, fences or the like. Otherwise it can cause the charger to become live.

Do not clean the battery or the battery charger with water.

Children shall not play with the product.

When charging, the charger must be placed in a well ventilated area and under a roof to keep out moisture.

Use and store battery charger only indoors.

Disconnect the charger after usage.

**WARNING!**

→ **Do not charge non rechargeable batteries in the battery charger or use them in the product.**

**RISK OF EXPLOSION!**

Protect batteries from heat and fire. Do not leave on radiators or expose to strong sunshine for long periods.

Do not operate in explosive atmospheres, such as in the presence of flammable liquids, gases, or dust.

Batteries may create sparks which could ignite the dust or fumes.

**FIRE RISK!**

→ **The battery to be charged must be placed on a non-flammable, heat resistant and non-conductive surface while charging.**

Keep corrosive, flammable and easily combustible objects clear of the battery charger and the battery. Do not cover the battery charger and the battery while charging.

Disconnect the battery charger immediately in the event of smoke formation or fire.

If you notice fire: Extinguish the flames with oxygen reducing materials.

Use the battery charger only when the surrounding temperature is between 5 °C and 40 °C.

Use the charger in an environment which is well ventilated, dry and free from dust.

Do not use:

- a faulty or damaged battery charger.
- the battery in the battery charger outdoors.

Do not charge:

- or never use a faulty, damaged or deformed battery.
- the battery in the rain or in wet conditions.
- the battery in direct sunlight.

**WARNING!**

Risk of electric shock and short circuiting!

→ **Use approved and intact wall sockets.**

Make sure that the cable is not damaged. Replace cable if it appears to be damaged in any way.

Use or stow the battery charger in such way so that the risk of stumbling on the cable does not occur.

Connect the battery charger to the voltage and frequency specified on the rating plate.

Use a residual current device (RCD) when you use the battery charger.

Storage:

Stow the battery charger where the temperature is between 5 °C and 45 °C and never in direct sunlight. Stow the battery charger only in an enclosed and dry space.

Be sure to store the battery separate from the battery charger.

Additional safety warnings:

Danger! This product produces an electromagnetic field during operation. This field may under some circumstances interfere with active or passive medical implants. To reduce the risk of serious or fatal injury, we recommend persons with medical implants to consult their physician and the medical implant manufacturer before operating this product.

Danger! Keep toddlers away during assembly. Small parts can be easily swallowed. There is also a risk that the polybag can suffocate toddlers.

2. INITIAL OPERATION

To charge the battery (see page 2):



ATTENTION!

Overvoltage damages the battery and the battery charger.

Make sure that you use the correct mains voltage.

Before you use the battery the first time, the battery must be fully charged.

The lithium-ion battery can be charged in any state of charge and the charging process can be disconnected at any time without to damage the battery (no memory effect).

1. Connect the mains cable ③ to the charger ①.
2. Connect the mains cable ③ to a 230 V mains socket.
3. Connect the charger cable ① to the battery ②.

When the charging control lamp ④ at the charger flashes green once per second the battery is being charged.

When the charging control lamp ④ at the charger is lit green the battery is fully charged.

(For charging time, see 6. TECHNICAL DATA).

4. Check the charge status regularly while you charge.
5. When the battery is fully charged, disconnect the battery ② from the battery charger ③.
6. Disconnect the battery charger ③ from the mains.

3. MAINTENANCE

Make sure the battery and battery charger are clean and that the terminals on the battery and the battery charger are always clean and dry before the battery is placed in the battery charger.

Keep the battery guide tracks clean.

Do not use running water.

→ Clean plastic parts with a clean and dry cloth.

4. STORAGE

To put into storage:

The battery charger must be stowed out of the reach of children.

→ Stow the battery charger in a dry, moisture-free and frost-free place.

Disposal (in accordance with RL2012/19/EC):



The product must not be added to normal household waste. It must be disposed of in line with local environmental regulations.

Important:

Make sure that the product is discarded through or via your municipal recycling collection center.

5. TROUBLESHOOTING

Error messages of the error-LED ⑤ (see page 2):

Problem	Possible Cause	Remedy
Charging control lamp ④ on the charger does not light up.	Battery charger or charging cable are not connected correctly.	Connect the battery charger and charging cable correctly.
Charging control lamp ④ on the charger is flashing rapidly (4 times per second).	Battery temperature is out of range.	Use the battery in surroundings where temperatures are between -10 °C and 40 °C.
Error-LED ⑤ on the charger is flashing.	Battery error.	Remove the battery and check that you use an original GARDENA battery.

Error-LED ⑤ on the charger lit.	Temperature inside the charger is too high.	Contact the GARDENA service.
---------------------------------	---	------------------------------

For any other malfunctions please contact the GARDENA service department. Repairs must only be done by GARDENA service departments or specialist dealers approved by GARDENA.

6. TECHNICAL DATA

Art. 9845

Rated Power	100 W
Mains voltage	230 V
Mains frequency	50 Hz
Battery charging time	Art. 9842/19090: approx. 65 min. 80 % / approx. 90 min. 100 % Art. 9843/19091: approx. 105 min. 80 % / approx. 240 min. 100 %

7. SERVICE/WARRANTY

Service:

Please contact the address on the back page.

Warranty:

GARDENA Manufacturing GmbH warranties this product for 2 years (from date of purchase). This warranty includes all important defects of the product that can be proved to be material or manufacturing faults. Under warranty we will replace the product or repair it for no cost if these conditions are applicable:

- The product must have been used properly and in keeping with the requirements of the operation instructions.
- Neither the purchaser or a not approved third party have tried to repair the product.

This manufacturer's warranty does not have an effect on the user's existing warranty claims against the dealer / seller. If you have problems with this product, please contact our Service or send the defective product together with a short description of the problem – if there is a warranty, with a copy of the receipt – postage paid to GARDENA Manufacturing GmbH.

D Produkthaftung

Wir weisen ausdrücklich darauf hin, dass wir in Übereinstimmung mit dem Produkthaftungsgesetz nicht für Schäden haften, die durch unsere Erzeugnisse entstehen, wenn diese unsachgemäß repariert wurden oder wenn keine Originalteile von GARDENA oder zugelassene Teile verwendet wurden, und wenn die Reparaturen nicht von einem GARDENA Service-Center oder einem Fachhändler durchgeführt wurden. Entsprechendes gilt für Ergänzungsteile und Zubehör.

GB Product Liability

We expressly point out that, in accordance with the product liability law, we are not liable for any damage caused by our products if it is because of improper repair or if parts replaced are not original GARDENA parts or approved parts, and, if the repairs were not done by a GARDENA Service Centre or an approved specialist. The same applies to spare parts and accessories.

F Responsabilité

Nous vous signalons expressément que GARDENA n'est pas responsable des dommages causés par ses produits, dans la mesure où ces dommages seraient causés suite à une réparation non conforme, dans la mesure où, lors d'un échange de pièces, les pièces GARDENA d'origine ou approuvées n'auraient pas été utilisées, ou si la réparation n'a pas été effectuée par le service après-vente GARDENA ou l'un des Centres SAV agréés. Ceci est également valable pour tout ajout de pièces et d'accessoires autres que ceux préconisés par GARDENA.

NL Productaansprakelijkheid

Wij wijzen er nadrukkelijk op dat in overeenstemming met de wet voor productaansprakelijkheid wij niet aansprakelijk zijn voor enige schade veroorzaakt door onze producten als gevolg van onjuiste reparatie of als er onderdelen vervangen zijn door andere dan originele GARDENA-onderdelen of goedgekeurde onderdelen en als de reparaties niet zijn uitgevoerd door een GARDENA-servicecentrum of een goedgekeurde specialist. Ditzelfde geldt voor extra-onderdelen en accessoires.

S Produktansvar

Vi vill uttryckligen påpeka att, i enlighet med produktens ansvarsrätt, vi inte ansvarar för skada som orsakats av våra produkter om skadan beror på felaktig reparation eller om delar som byts ut inte är GARDENA-originaldelar eller godkända delar, och om reparationer inte har utförts av ett GARDENA-servicecenter eller en godkänd specialist. Samma sak gäller för kompletteringsdelar och tillbehör.

DK Produktansvar

Vi understreger udtrykkeligt, at vi i overensstemmelse med produktansvarsbestemmelserne ikke hæfter for skader forårsaget af vores produkter på grund af forkert reparation eller udskiftning af dele med uoriginale GARDENA-komponenter eller komponenter, som ikke er godkendt af os, og hvis reparationer ikke er udført af et GARDENA-servicecenter eller en godkendt specialist. Det samme gælder for ekstra udstyr og tilbehør.

FI Tuotevastuu

Ilmoitamme erityisesti, että tuotevastuulain mukaisesti emme ole vastuussa tuotteiden vaurioista, jos niiden syynä on virheellinen korjaaminen tai muiden kuin alkuperäisten GARDENA-varaosien tai hyväksytyjen varaosien käyttö tai jos korjauksia ei ole tehnyt GARDENA-huoltoliike tai valtuutettu asiantuntija. Tämä pätee myös lisäosiin ja lisävarusteisiin.

I Responsabilità del prodotto

Si rende espressamente noto che, conformemente alla legislazione sulla responsabilità del prodotto, non si risponde di danni causati da nostri prodotti se originati da riparazioni eseguite non correttamente o da sostituzioni di parti effettuate con materiale non originale GARDENA o comunque da noi non approvato e, in ogni caso, qualora l'intervento non venga eseguito da un centro assistenza GARDENA o da personale specializzato autorizzato. Lo stesso vale per le parti complementari e gli accessori.

E Responsabilidad de productos

Advertimos expresamente que, de acuerdo con la ley de fiabilidad del producto, no nos hacemos responsables de ningún daño causado por nuestros productos si es el resultado de una reparación incorrecta, si las piezas de recambio no son piezas originales de GARDENA o piezas homologadas, o si la reparación no la ha realizado un centro de servicio de GARDENA o un especialista autorizado. Lo mismo es aplicable para las piezas complementarias y accesorios.

P Responsabilidade sobre o produto

Relembamos expressamente que, em conformidade com a lei de responsabilidade pelo produto, não nos responsabilizamos por quaisquer danos causados pelos nossos produtos se forem provocados por reparações inadequadas ou se as peças substituídas não forem peças GARDENA originais ou peças aprovadas e se as reparações não tiverem sido realizadas por um centro de assistência GARDENA ou por um especialista aprovado. Esta restrição valerá também para peças adicionais e acessórios.

PL Odpowiedzialność za produkt

Wyraźnie zwracamy uwagę, że zgodnie z obowiązującymi przepisami nie ponosimy odpowiedzialności za żadne szkody spowodowane przez nasze produkty, jeśli doszło do nich w wyniku niewłaściwej naprawy lub użycia nieoryginalnych bądź niezatwierdzonych części zamiennych GARDENA i jeśli naprawy nie zostały przeprowadzone przez centrum serwisowe GARDENA lub autoryzowanego specjalistę. Dotyczy to również części uzupełniających i oprzyrządowania.

H Termékszavatosság

Nyomatékosan utalunk arra a tényre, hogy a termékszavatossági törvény szerint nem kell jótállást vállalnunk azokra a károokra, amelyeket nem a mi készülékeink okoztak, ha ezeket szakszerűtlen javítás okozta vagy egy alkatrész kicserélésénél nem a mi eredeti GARDENA alkatrészeinket vagy általunk engedélyezett alkatrészeket használták fel és a javítást nem a GARDENA szerviz vagy egy erre felhatalmazott szakember végezte. Hasonlóképpen érvényes ez a kiegészítő alkatrészekre és tartozékokra is.

CZ Odpovědnost za výrobek

Výslovně upozorňujeme na to, že podle zákona o odpovědnosti za výrobek neneseme odpovědnost za škody způsobené našimi přístroji, pokud byly způsobené neodbornou opravou nebo použitím jiných než našich originálních náhradních dílů GARDENA nebo námi schválených dílů a neprovedením opravy servisem GARDENA nebo autorizovaným odborníkem. Odpovídající platí i pro doplňkové díly a příslušenství.

SK Predmet záruky

Upozorňujeme dôrazne na to, že podľa zákona o poskytovaní záruk nezodpovedáme za škody spôsobené našimi výrobkami, v prípade, že boli boli vyvolané neodbornými opravami, výmenou dielcov, ktoré nepatria k originálnym dielom GARDENA alebo neboli nami schválené rovnako boli spôsobené servisnými zásahmi, ktoré neboli vykonané servisom GARDENA alebo autorizovaným odborníkom. Rovnako to platí pre doplnky a príslušenstvo.

GR Ευθύνη για το προϊόν

Σας υπενθυμίζουμε ρητά, ότι σύμφωνα με το νόμο περί ευθύνης για τα προϊόντα δεν ευθυνόμαστε για ενδεχόμενες βλάβες που προκαλούνται από τις συσκευές μας, εφόσον οφείλονται σε μία ακατάλληλη επίσκεψη ή σε μια αντικατάσταση τμημάτων για την οποία δεν έχουν χρησιμοποιηθεί τα πρωτότυπα ανταλλακτικά της GARDENA ή τα από μας συγκεκριμένα ανταλλακτικά και σε περίπτωση που δεν εκτελείται η επίσκεψη από το Τμήμα Εξυπηρέτησης Πελατών της GARDENA ή από έναν εξουσιοδοτημένο εξειδικευμένο τεχνίτη. Το ίδιο ισχύει για εξαρτήματα και συμπληρωματικά τμήματα.

SLO Jamstvo za izdelek

Izrecno izjavljamo, v skladu z ustreznimi zakonodajo, ki ureja odgovornost proizvajalca, da ne prevzemamo nikakršne odgovornosti za poškodbe, ki bi jih naši izdelki povzročili zaradi neustreznega popravila ali uporabe neoriginalnih ali neodobrenih nadomestnih delov (ki jih ne izdelata podjetje GARDENA) ali če popravil ne bi opravil servisni center GARDENA ali pooblaščen specialist. Enako velja tudi za nadomestne dele in opremo.

HR Odgovornost za proizvod

Izričito naglašavamo kako, u skladu sa zakonom o odgovornosti za proizvode, nismo odgovorni za bilo koja oštećenja uzrokovana našim proizvodima ako su posljedica nepravilnog popravka ili zamjene dijelova s neoriginalnim dijelovima ili dijelovima bez odobrenja tvrtke GARDENA i ako popravci nisu provedeni u servisnom centru tvrtke GARDENA ili ako ih nije proveo odobreni stručnjak. Isto vrijedi i za dodatne dijelove i pribor.

RO Responsabilitatea legala a produsului

Menționăm în mod expres că, în conformitate cu legea privind răspunderea pentru produs, nu suntem răspunzători pentru nicio deteriorare provocată de produsele noastre, dacă se datorează reparării necorespunzătoare sau dacă piesele înlocuite nu sunt piese originale GARDENA sau piese aprobate și dacă reparațiile nu au fost efectuate de un Centru de service GARDENA sau de un specialist autorizat. Aceleași prevederi se aplica și pieselor de schimb și accesoriilor.

BG Отговорност за качество

Ние изрично посочваме, че в съответствие със закона за отговорността за продукта не носим отговорност за повреди, причинени от нашите продукти, ако това се дължи на неправилен ремонт или ако заменените части не са оригинални части на GARDENA или одобрени части, или ако ремонтните дейности не са били извършени от сервизен център на GARDENA или от одобрен специалист. Същото важи за допълнителните части и принадлежности.

EST Tootevastutus

Me teatame sõnaselgelt, et vastavalt tootevastutuse seadusele ei vastuta me mis tahes meie toodete põhjustatud kahjude eest, mis on tekkinud toote ebaõige parandamise tõttu või varuosadena GARDENA mitte-originaalvaruosade või heakskiidetud varuosade kasutamise tõttu või parandustööde tegemise tõttu mujal kui GARDENA hoolduskeskuses või heakskiidetud spetsialisti juures. Sama kehtib lisadetailide ja tarvikute kohta.

LT Atsakomybė už produkciją

Mes aiškiai pareiškiamo, kad atsižvelgiant į gaminių patikimumo įstatymą nepriisiame atsakomybės dėl bet kokios žalos, patirtos dėl mūsų gaminių, jeigu jie buvo netinkamai taisomi arba jų dalys buvo pakeistos neoriginaliomis GARDENA dalimis ar nepatvirtintomis dalimis, arba jeigu remontu darbai buvo atliekami ne GARDENA techninės priežiūros centro specialistų. Tas pats galioja papildomoms dalims ir priedams.

LV Produkta atbildība

Mēs skaidri norādām uz to, ka saskaņā ar Produktu atbildības likumu, mēs neatbildam par mūsu iekārtu radītiem zaudējumiem, ciktāl tos ir izraisījis neatbilstošs remonts vai daļu nomaiņa ar neoriģinālām GARDENA daļām vai ne ar mūsu norādītajām detaļām un remontu nav veicis GARDENA serviss vai pilnvarots speciālists. Tas pats attiecas uz papildinošajām daļām un piederumiem.

<p>D CE-Konformitätserklärung Der Unterzeichnete Husqvarna AB, 561 82 Huskvarna, Sweden bestätigt, dass die nachfolgend bezeichneten Geräte in der von uns in Verkehr gebrachten Ausführung die Anforderungen der harmonisierten EU-Richtlinien, EU-Sicherheitsstandards und produktspezifischen Standards erfüllen. Bei einer nicht mit uns abgestimmten Änderung der Geräte verliert diese Erklärung ihre Gültigkeit.</p>	<p>H EU-Megfelöléségi nyilatkozat Alulírott, a Husqvarna AB, 561 82 Huskvarna, Sweden igazolja azt, hogy az alábbiakban megnevezett készülékek, az általunk forgalomba hozott kivitelben teljesítik a harmonizációs EU-irányelvek, az EU biztonsági szabványok és a termékre jellemző szabványok követelményeit. Ha a készülékeken a mi beleegyezésünk nélkül változtatást végeznek, akkor ez a nyilatkozat érvényét veszti.</p>
<p>GB CE Declaration The undersigned Husqvarna AB, 561 82 Huskvarna, Sweden hereby certifies that, when leaving our factory, the units indicated below are in accordance with the harmonised EU guidelines, EU standards of safety and product specific standards. This certificate becomes void if the units are modified without our approval.</p>	<p>CZ Prohlášení o shodě EU Podepsaný Husqvarna AB, 561 82 Huskvarna, Sweden potvrzuje, že dále uvedené přístroje v rámci do provozu uvedeném provedení splňují požadavky harmonizovaných směrnic EU, bezpečnostních norem EU a norem specifických pro výrobek. Při námi neschválené změně přístroje ztrácí toto prohlášení platnost.</p>
<p>F Certificat de conformité aux directives européennes Le constructeur, soussigné : Husqvarna AB, 561 82 Huskvarna, Sweden déclare que à la sortie de ses usines le matériel neuf désigné ci-dessous était conforme aux prescriptions des directives européennes énoncées ci-après et conforme aux règles de sécurité et autres règles qui lui sont applicables dans le cadre de l'Union européenne. Toute modification portée sur ce produit sans l'accord express de GARDENA supprime la validité de ce certificat.</p>	<p>SK EU-Vyhlasenie o zhode Nižšie uvedené firma Husqvarna AB, 561 82 Huskvarna, Sweden vyhlasuje, že uvedené zariadenia, ktoré uviedla na trh v tomto vyhotovení, spĺňajú požiadavky harmonizovaných smerníc EU, bezpečnostných noriem EU a noriem špecifických pre výrobok. Pri zmene zariadenia, ktorá nebola odsúhlasená výrobcom stráca toto vyhlásenie platnosť.</p>
<p>NL EU-overeenstemmingsverklaring Ondergetekende Husqvarna AB, 561 82 Huskvarna, Sweden bevestigt, dat de volgende genoemde apparaten in de door ons in de handel gebrachte uitvoering voldoen aan de eis van, en in overeenstemming zijn met de EU-richtlijnen, de EU-veiligheidsstandaard en de voor het product specifieke standaard. Bij een niet met ons afgestemde verandering aan de apparaten verliest deze verklaring haar geldigheid.</p>	<p>GR Δήλωση Συμμόρφωσης προς τις Οδηγίες της ΕΕ Η υπογράφουσα Husqvarna AB, 561 82 Huskvarna, Sweden δηλώνει, ότι τα εξής αναφερόμενα εκδιδόμενα από την εταιρία μας προϊόντα ανταποκρίνονται σε όλες τις αναφορούμενες προδιαγραφές της ΕΕ, στα πρότυπα ασφαλείας της ΕΕ και στα ειδικά για το προϊόν πρότυπα. Σε μία μη συμφωνημένη με την εταιρία μας τροποποίηση των συσκευών αυτή η δήλωση χάνει την ισχύ της.</p>
<p>S EU Tillverkarintyg Undertecknad firma Husqvarna AB, 561 82 Huskvarna, Sweden intygar härmed att nedan nämnda produkter överensstämmer med EU:s direktiv, EU:s säkerhetsstandard och produktspecifikation. Detta intyg upphör att gälla om produkten ändras utan vårt tillstånd.</p>	<p>SLO EU-izjava o skladnosti Podpisani proizvajalec »Husqvarna AB, 561 82 Huskvarna, Sweden« s podpisom potrjuje, da sledeče opisana naprava, ki smo jo poslali na tržišče izpolnjuje zahteve harmoniziranih standardov ES-smernic, ES-varnostnih standardov in izdelku specifičnih standardov. V primeru spremembe na napravi brez našega pisnega dovoljenja ta izjava izgubi svoj pomen in veljavnost.</p>
<p>DK EU Overensstemmelse certificat Undertegnede Husqvarna AB, 561 82 Huskvarna, Sweden bekræfter hermed, at enheder listed herunder, ved afsendelse fra fabrikken, er i overensstemmelse med harmoniserede EU retningslinier, EU sikkerheds standarder og produkt specifikations standarder. Dette certifikat træder ud af kraft hvis enhederne er ændret uden vor godkendelse.</p>	<p>HR Izjava o sukladnosti EU-a Dolje potpisana tvrtka Husqvarna AB, 561 82 Huskvarna, Sweden ovime potvrđuje da dolje navedeni uređaji u izvedbi plasirana na tržište ispunjavaju zahtjeve harmoniziranih EU smjernica, EU sigurnosnih normi i normi za određene proizvode. Ova izjava postaje ništavna u slučaju izmjene uređaja koje nismo odobrili.</p>
<p>FI EU-yhdenmukaisuusvakuutus Allekirjoittanut Husqvarna AB, 561 82 Huskvarna, Sweden vakuuttaa, että allamainitut laitteet täyttävät tehtaaltamme lähiesään yhdenmukaistetujen EU-direktiivien, EU-turvallisuusstandardien ja tuotekohtaisten standardien vaatimukset. Laitteisiin tehdyt muutokset, joista ei ole sovittu kanssamme, johtavat tämän vakuutuksen raukaamiseen.</p>	<p>RO UE-Certificat de conformitate Prin prezenta Husqvarna AB, 561 82 Huskvarna, Sweden, certifica faptul ca, in momentul in care produsele mentionate mai jos ies din fabrica sunt in concordanta cu directivele UE, standardele de siguranta UE si standardele specifice ale produsului UE. Acest certificat devine nul in cazul modificarii aparatului fara aprobarea noastra.</p>
<p>I Dichiarazione di conformità alle norme UE La sottoscritta Husqvarna AB, 561 82 Huskvarna, Sweden certifica che il prodotto qui di seguito indicato, nei modelli da noi commercializzati, è conforme alle direttive armonizzate UE nonché agli standard di sicurezza e agli standard specifici di prodotto. Qualunque modifica apportata al prodotto senza nostra specifica autorizzazione invalida la presente dichiarazione.</p>	<p>BG ЕС-Декларация за съответствие Подписаната фирма Husqvarna AB, 561 82 Huskvarna, Sweden декларира, че описаните по-долу уреди, пуснати в продажба съгласно нашата спецификация, изпълняват изискванията на хармонизираните ЕС-директиви, ЕС-станданти за безопасност и специфичните производствени стандарти. При промяна на уреда, която не е съгласувана с нас, тази декларация губи своята валидност.</p>
<p>E Declaración de conformidad de la UE El que suscribe Husqvarna AB, 561 82 Huskvarna, Sweden declara que la presente mercancía, objeto de la presente declaración, cumple con todas las normas de la UE, en lo que a normas técnicas, de homologación y de seguridad se refiere. En caso de realizar cualquier modificación en la presente mercancía sin nuestra previa autorización, esta declaración pierde su validez.</p>	<p>EST ELI vastavusdeklaratsioon Allkirjutanu Husqvarna AB, 561 82 Huskvarna, Sweden kinnitab, et kirjeldatud seade vastab meie poole riiglesse viidud kujul ELi harmoniseeritud direktiividele, ELi ohutusstandarditele ja tootega seotud standarditele. Meiega kooskõlastamata muudatuse tegemise korral seadmel kaotab see deklaratsioon kehtivuse.</p>
<p>P Certificado de conformidade da UE Os abaixo mencionados Husqvarna AB, 561 82 Huskvarna, Sweden, por este meio certificam que ao sair da fábrica os aparelhos abaixo mencionados estão de acordo com as direttrizes harmonizadas da UE, padrões de segurança e de produtos específicos. Este certificado ficará nulo se as unidades forem modificadas sem a nossa aprovação.</p>	<p>LT ES Atitikties deklaracija Pasirašanti įmonė Husqvarna AB, 561 82 Huskvarna, Sweden patvirtina, kad žemiau nurodyti prietaisai ir jų modeliai, kurie buvo pagaminti mūsų gamykloje atitinka ES direktyvas, ES saugumo standartus ir specifinius gaminių standartus. Atlikus bet kokį prietaiso pakeitimą, kuris nėra suderintas su mumis, ši deklaracija praranda galiojimą.</p>
<p>PL Deklaracja zgodności Unii Europejskiej Husqvarna AB, 561 82 Huskvarna, Sweden potwierdza, że poniżej określone urządzenia w wersji oferowanej przez nas do sprzedaży spełniają wymagania zharmonizowanych dyrektyw Unii Europejskiej, standardu bezpieczeństwa Unii Europejskiej i standardu specyficznego dla tego typu produktów. W przypadku zmiany urządzenia, która nie została z nami uzgodniona, niniejsza deklaracja traci moc obowiązującą.</p>	<p>LV ES-atbilstības deklaracija Parakstījis Husqvarna AB, 561 82 Huskvarna, Sweden, Vācija apstiprina, ka sekojoši apzīmētās iekārtas, kuras mēs izplātam, savā izpildījumā atbilst harmonizētajām ES direktīvām, ES drošības standartiem un produkta specifiskajiem standartiem. Ar mūsu neapstiprinātām izmaiņām iekārtā šī deklarācija zaudē savu derīgumu.</p>

Deutschland / Germany

GARDENA
Manufacturing GmbH
Central Service
Hans-Lorenser-Straße 40
D-89079 Ulm
Produktfragen:
(+49) 731 490-123
Reparaturen:
(+49) 731 490-290
service@gardena.com

Albania

COBALT Sh.p.k.
Rr. Siri Kodra
1000 Tirana

Argentina

Husqvarna Argentina S.A.
Av.del Libertador 5954 –
Piso 11 – Torre B
(C1428APR) Buenos Aires
Phone: (+54) 11 5194 5000
info.gardena@
ar.husqvarna.com

Armenia

Garden Land Ltd.
61 Tigran Mets
0005 Yerevan

Australia

Husqvarna Australia Pty. Ltd.
Locked Bag 5
Central Coast BC
NSW 2252
Phone: (+61) (0) 2 4352 7400
customer.service@
husqvarna.com.au

Austria / Österreich

Husqvarna Austria GmbH
Industriezeile 36
4010 Linz
Tel.: (+43) 732 77 01 01-485
service.gardena@
husqvarnagroup.com

Azerbaijan

Firm Progress
a. Aliyev Str. 26A
1052 Bakı

Belgium

GARDENA Belgium NV/SA
Sterrebeekstraat 163
1930 Zaventem
Phone: (+32) 2 720 92 12
Mail: info@gardena.be

Bosnia / Herzegovina

SILK TRADE d.o.o.
Industrijska zona Bukva bb
74260 Tešanj

Brazil

Husqvarna do Brasil Ltda
Av. Francisco Matarazzo,
1400 – 19º andar
São Paulo – SP
CEP: 05001-903
Tel. 0800-112252
marketing.br.husqvarna@
husqvarna.com.br

Bulgaria

Хускварна България ЕООД
Бул. „Андрей Липчев“ № 72
1799 София
Tel.: (+359) 02/975 3076
www.husqvarna.bg

Canada / USA

GARDENA Canada Ltd.
100 Summerlea Road
Brampton, Ontario L6T 4X3
Phone: (+1) 905 792 9330
info@gardenacanada.com

Chile

Maquinarias Agroforestales
Ltda. (Maga Ltda.)
Santiago, Chile
Avda. Chesterton
8355 comuna Las Condes
Phone: (+56) 2 202 4417
Dalton@maga.cl
Zpcode: 7560330
Temuco, Chile
Avda. Valparaiso # 01466
Phone: (+56) 45 222 126
Zpcode: 4780441

China

Husqvarna (China) Machinery
Manufacturing Co., Ltd.
No. 1355, Jia Xin Rd.,
Ma Lu Zhen, Jia Ding Dist.,
Shanghai
201801
Phone: (+86) 21 59159629
Domestic Sales
www.gardena.com.cn

Colombia

Husqvarna Colombia S.A.
Calle 18 No. 68 D-31, zona
Industrial de Montevideo
Bogotá, Cundinamarca
Tel. 571 2922700 ext. 105
jairo.salazar@
husqvarna.com.co

Costa Rica

Compania Exim
Euroberoamericana S.A.
Los Colegios, Moravia,
200 metros al Sur del Colegio
Saint Francis – San José
Phone: (+506) 297 68 83
exim_euro@racsa.co.cr

Croatia

SILK ADRIA d.o.o.
Josipa Lončara 3
10090 Zagreb
Phone: (+385) 1 3794 580
silk.adria@zg.t-com.hr

Cyprus

Med Marketing
17 Digeni Akriti Ave
P.O. Box 27017
1641 Nicosia

Czech Republic

Husqvarna Česko s.r.o.
Tůrkova 2319/5b
149 00 Praha 4 – Chodov
Bezpłatná infolinka:
800 100 425
servis@cz.husqvarna.com

Denmark

GARDENA / Husqvarna
Consumer Outdoor Products
Salgsafdelning Danmark
Box 9003
S-200 39 Malmö
info@gardena.dk

Dominican Republic

BOSQUESA, S.R.L
Carretera Santiago Licey
Km. 5 ½
Esquina Copal II.
Santiago
Dominican Republic
Phone: (+809) 736-0333
joserbosquesa@claro.net.do

Ecuador

Husqvarna Ecuador S.A.
Arupos E1-181 y 10 de
Agosto Quito, Pichincha
Tel. (+593) 22800739
francisco.jacom@
husqvarna.com.ec

Estonia

Husqvarna Eesti OÜ
Consumer Outdoor Products
Kesk tee 10, Aaviku küla
Rae vald
Harju maakond
75305 Estonia
kontakt.etj@husqvarna.ee

Finland

Oy Husqvarna Ab
Consumer Outdoor Products
Lauttarhankatu 8 / P.L 3
00581 HELSINKI
info@gardena.fi

France

Husqvarna France
9/11 Allée des pierres mayettes
92635 Gennevilliers Cedex
France
http://www.gardena.com/fr
N° AZUR: 0 810 00 78 23
(Prix d'un appel local)

Georgia

ALD Group
Bellashvili 8
1159 Tbilisi

Great Britain

Husqvarna UK Ltd
Preston Road
Aycliffe Industrial Park
Newton Aycliffe
Consumer Durham
DL5 6UP
info.gardena@
husqvarna.co.uk

Greece

Π.ΠΑΠΑΔΟΠΟΥΛΟΣ ΑΕΒΕ
Λεωφ. Αθηνών 92
Αθήνα
Τ.Κ.104 42
Ελλάδα
Τηλ. (+30) 210 5193 100
info@papadopoulos.com.gr

Hungary

Husqvarna Magyarorszáig Kft.
Ezred u. 1-3
1044 Budapest
Telefon: (+36) 1 251-4161
vevoszolgalat.husqvarna@
husqvarna.hu

Iceland

Ó. Johnson & Kaaber
TunguhalSI 1
110 Reykjavik
ojo@oik.is

Ireland

Husqvarna UK Ltd
Preston Road
Aycliffe Industrial Park
Newton Aycliffe
Consumer Durham
DL5 6UP
info.gardena@
husqvarna.co.uk

Italy

Husqvarna Italia S.p.A.
Via Como 72
32068 VALMADRERA (LC)
Phone: (+39) 0341.203.111
info@gardena.italia.it

Japan

KAKUICHI Co. Ltd.
Sumitomo Realty &
Development Kojimachi
BLDG., 8F
5-1 Nibanencho
Chiyoda-ku
Tokyo 102-0084
Phone: (+81) 33 264 4721
m_ishihara@kaku-icchi.co.jp

Kazakhstan

LAMED Ltd.
155/1, Tazhibayevoy Str.
050060 Almaty
IP Schmidt
Abayavenue 3B
110 005 Kostanay

Korea

Kyung Jin Trading CO.,LTD.
107-4, SunDuk Bld.,
YangJae-dong,
Seocho-gu,
Seoul, (zipcode: 137-891)
Phone: (+82) (0)2 574-6300

Kyrgyzstan

Alye Maki
av. Molodaya Guardir J 3
720014
Bishkek

Latvia

Husqvarna Latvija
Consumer Outdoor Products
Bākūžu iela 6
LV-1024 Rīga
info@husqvarna.lv

Lithuania

UAB Husqvarna Lietuva
Consumer Outdoor Products
Atleities pl. 77C
LT-52104 Kaunas
centras@husqvarna.lt

Luxembourg

Magasins Jules Neuberg
39, rue Jacques Stas
Luxembourg-Gasperich 2549
Case Postale No. 12
Luxembourg 2010
Phone: (+352) 40 14 01
api@neuberg.lu

Mexico

AFOSA
Av. Lopez Mateos Sur # 5019
Col. La Calma 45070
Zapopan, Jalisco
Mexico
Phone: (+52) 33 3818-3434
icorneje@afosa.com.mx

Moldova

Convel S.R.L.
290A Muncesti Str.
2002 Chisinau

Netherlands

GARDENA Nederland B.V.
Postbus 50176
1305 AD ALMERE
Phone: (+31) 36 521 00 00
info@gardena.nl

Neth. Antilles

Jonka Enterprises N.V.
Sta. Rosa Weg 196
P.O. Box 8200
Curaçao
Phone: (+599) 9 767 66 55
pgrm@jonka.com

New Zealand

Husqvarna New Zealand Ltd.
PO Box 76-437
Manukau City 2241
Phone: (+64) (0) 9 9202410
support.nz@husqvarna.co.nz

Norway

GARDENA
Husqvarna Consumer
Outdoor Products
Salgskontor Norge
Klevereien 6
1540 Vestby
info@gardena.no

Peru

Husqvarna Perú S.A.
Jr. Ramón Cárcamo 710
Lima 1
Tel: (+51) 1 3320400 ext.416
juan.remuzog@
husqvarna.com

Poland

Husqvarna
Poland Spółka z o.o.
ul. Wysockiego 15 b
03-371 Warszawa
Phone: (+48) 22 330 96 00
gardena@husqvarna.com.pl

Portugal

Husqvarna Portugal, SA
Laga – Albarraque
2635 – 595 Rfo de Mouro
Tel.: (+351) 21 922 85 30
Fax: (+351) 21 922 85 36
info@gardena.pt

Romania

Madex International Srl
Soseaua Odaii 117-123,
RO 019603 Bucuresti, S 1
Phone: (+40) 21 352.76.03
madex@ines.ro

Russia / Россия

ООО „Хускварна“
141400, Московская обл.,
г. Химки,
улица Ленинградская,
владение 39, стр.6

Бизнес Центр
„Химки Бизнес Парк“,
помещение 0802, 04
http://www.gardena.ru

Serbia

Domel d.o.o.
Autoput za Novi Sad bb
11273 Beograd
Phone: (+381) 11 848 88 12
mirosavl.jejina@domel.rs

Singapore

Hy-Ray PRIVATE LIMITED
40 Jalan Pemimpin
#02-08 Tat Ann Building
Singapore 577185
Phone: (+65) 6253 2277
shying@hyray.com.sg

Slovak Republic

Husqvarna Česko s.r.o.
Tůrkova 2319/5b
149 00 Praha 4 – Chodov
Bezpłatná infolinka:
800 154 044
servis@sk.husqvarna.com

Slovenia

Husqvarna Austria GmbH
Industriezeile 36
4010 Linz
Tel.: (+43) 732 77 01 01-485
service.gardena@
husqvarnagroup.com

South Africa

Husqvarna
South Africa (Pty) Ltd
Postnet Suite 250
Private Bag X6,
Cascades, 3202
South Africa
Phone: (+27) 33 846 9700
info@gardena.co.za

Spain

Husqvarna España S.A.
Calle de Rivas nº 10
28052 Madrid
Phone: (+34) 91 708 05 00
atencioncliente@gardena.es

Suriname

Agrofix n.v.
Verlengde Hogestraat # 22
Phone: (+597) 472426
agrofix@sr.net
Pobox : 2006
Paramaribo
Suriname – South America

Sweden

Husqvarna AB
S-561 82 Huskvarna
info@gardena.se

Switzerland / Schweiz

Husqvarna Schweiz AG
Consumer Products
Industriestrasse 10
5506 Mägenwil
Phone: (+41) (0) 62 887 37 90
info@gardena.ch

Turkey

GARDENA Dost Diş Ticaret
Müesseslik A.Ş.
Sanayi Cad. Adil Sokak
No: 1/B Kartal
34873 İstanbul
Phone: (+90) 216 38 93 939
info@gardena-dost.com.tr

Ukraine / Україна

ТОВ „Хусварна Україна“
вул. Васильківська, 34,
офіс 204-р
03022, Київ
Тел. (+380) 44 498 39 02
info@gardena.ua

Uruguay

FELI SA
Entre Rios 1083 CP 11800
Montevideo – Uruguay
Tel: (+598) 22 033 44
info@felisa.com.uy

Venezuela

Corporación Casa y Jardín C.A.
Av. Caroni, Edif. Trezmen, P.B.
Collinas de Bello Monte.
1050 Caracas.
Tlf: (+58) 212 992 33 22
info@casayjardin.net.ve

9845-20.960.01/0106
© GARDENA
Manufacturing GmbH
D-89070 Ulm
http://www.gardena.com